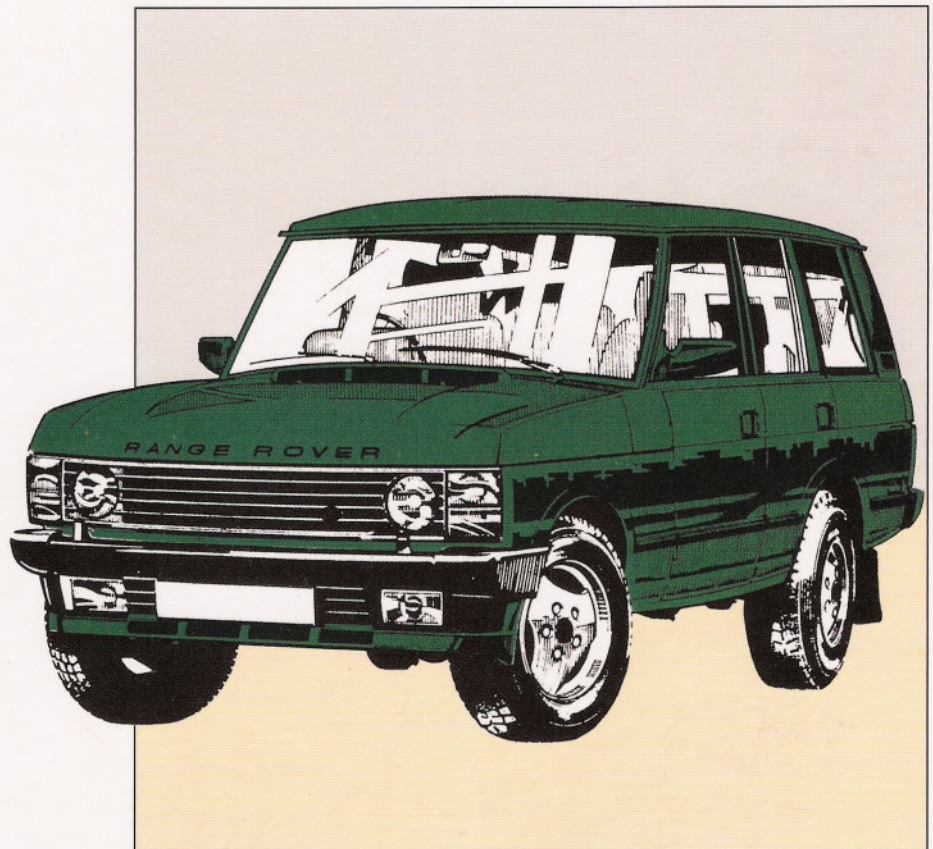


**Parts Catalogue**

# **Range Rover**

**1992 to 1994 MY Plus Classic 1995 MY**



**Covering:**

**3.9 & 4.2 V8 Petrol Engines**

**2.5 Turbo VM, 200 Tdi & 300 Tdi Diesel Engines**

**Part No. RTC9961CB**



**GENUINE  
PARTS**

## Parts Catalogue

# Range Rover

1992 to 1994 MY plus Classic 1995 MY

Whilst every effort is made to ensure the accuracy of the particulars contained in this Catalogue, modifications and vehicle specification changes may affect the information specified. No responsibility is accepted for the incorrect supply of parts or any other consequence that may arise as a result of information in this Catalogue not being in accord with modifications or vehicle specification changes which are subsequent to the date of this catalogue. Also no responsibility is accepted for the incorrect supply of parts or any other consequence that may arise as a result of any misinterpretation of the information specified in this Catalogue.



**This parts catalogue covers all Range Rover vehicles from model year 1992 up to and including 1994 plus 1995 Classic. Engines covered include 3.9 & 4.2 V8 Petrol and 2.5 Turbo VM, 200 Tdi & 300 Tdi diesel units.**

© LAND ROVER UK LTD 1994

All rights reserved. No part of this publication may be reproduced, stored in a retrieval system or transmitted, in any form, electronic, mechanical, photocopying, recording or other means without prior written permission from Land Rover Parts Ltd.



**GENUINE  
PARTS**



VEHICLE IDENTIFICATION NUMBER

2 DOOR

VIN CODE	ENGINE	GEARBOX	STEERING
SALLHAAM7**	3.9L PETROL	5 SPEED MAN.	RHD
SALLHAAM8**	3.9L PETROL	5 SPEED MAN	LHD
SALLHAAM3**	3.9L PETROL	AUTOMATIC	RHD
SALLHAAM4**	3.9L PETROL	AUTOMATIC	LHD
SALLHABM7**	3.9L PETROL	5 SPEED MAN	RHD
SALLHABM8**	3.9L PETROL	5 SPEED MAN	LHD
SALLHABM3**	3.9L PETROL	AUTOMATIC	RHD
SALLHABM4**	3.9L PETROL	AUTOMATIC	LHD
SALLHABN7**	2.5 VM DIESEL	5 SPEED MAN	RHD
SALLHABN8**	2.5 VM DIESEL	5 SPEED MAN	LHD
SALLHAAN7**	2.5 VM DIESEL	5 SPEED MAN	RHD
SALLHAAN8**	2.5 VM DIESEL	5 SPEED MAN	LHD
SALLHABF7**	2.5 TDI DIESEL	5 SPEED MAN	RHD
SALLHABF8**	2.5 TDI DIESEL	5 SPEED MAN	LHD
SALLHAAF7**	2.5 TDI DIESEL	5 SPEED MAN	RHD
SALLHAAF8**	2.5 TDI DIESEL	5 SPEED MAN	LHD

\*\* JA-1992 MODEL YEAR  
 \*\* KA-1993 MODEL YEAR  
 \*\* LA-1994 MODEL YEAR (GULF STATES ONLY)  
 \*\* MA-1995 MODEL YEAR

4 DOOR

VIN CODE	ENGINE	GEARBOX	STEERING
SALLHAM7**	3.9L PETROL	5 SPEED MAN.	RHD
SALLHAM8**	3.9L PETROL	5 SPEED MAN	LHD
SALLHAM3**	3.9L PETROL	AUTOMATIC	RHD
SALLHAM4**	3.9L PETROL	AUTOMATIC	LHD
SALLHAMN7**	2.5 VM DIESEL	5 SPEED MAN	RHD
SALLHAMN8**	2.5 VM DIESEL	5 SPEED MAN	LHD
SALLHBMF7**	2.5 DIESEL TDI	5 SPEED MAN	RHD
SALLHAMF8**	2.5 DIESEL TDI	5 SPEED MAN	LHD

4 DOOR LONG WHEEL BASE

SALLHBM33**	4.2L PETROL	AUTOMATIC	RHD
SALLHBM34**	4.2L PETROL	AUTOMATIC	LHD

SERIAL NUMBER IDENTIFICATION

ENGINES-Diesel 4 CYLINDER

95A01007	2.5 TURBO-VM
14L00001	2.5 200TDI
17L00001A	2.5 EDC MANUAL 300TDI
18L00001A	2.5 DETOX MANUAL 300TDI
19L00001A	2.5 EDC AUTOMATIC 300TDI
20L00001A	2.5 DETOX AUTOMATIC 300TDI
21L00001A	2.5 EGR MANUAL 300TDI
22L00001A	2.5 EGR AUTOMATIC 300TDI

ENGINES-V8 Petrol EFI

35D00001	3.9 EFI 9.35.1 MANUAL
36D00001	3.9 EFI 9.35.1 AUTOMATIC
37D00001	3.9 EFI 8.13.1 MANUAL
38D00001	3.9 EFI 8.13.1 AUTOMATIC
40D00001	4.2 EFI 8.94.1 AUTOMATIC

GEARBOX-LT77S manual type

53A00001	5 SPEED V8
54A00001	5 SPEED DIESEL

GEARBOX-R380 MANUAL

53A00001J	5 SPEED V8
54A00001J	5 SPEED DIESEL

GEARBOX AUTOMATIC

ZF-4 SPEED

TRANSFER GEARBOX

BORG WARNER



AXLE SERIAL NUMBERS

FRONT

46L*****	NON	ABS	RH	STEERING	V8		
47L*****	NON	ABS	LH	STEERING	V8		
48L*****	ABS		RH	STEERING	V8		
49L*****	ABS		LH	STEERING	V8		
50L*****	NON	ABS	RH	STEERING	DIESEL		
51L*****	NON	ABS	LH	STEERING	DIESEL		
52L*****	ABS		RH	STEERING	DIESEL		
53L*****	ABS		LH	STEERING	DIESEL		
54L*****	NON	ABS	RH	STEERING	V8	AIR	SUSPENSION
55L*****	NON	ABS	LH	STEERING	V8	AIR	SUSPENSION
56L*****	ABS		RH	STEERING	V8	AIR	SUSPENSION
57L*****	ABS		LH	STEERING	V8	AIR	SUSPENSION

REAR

33S*****	NON	ABS					
34S*****	ABS						
35S*****	ABS	COIL	SUSPENSION				
36S*****	NON	ABS	AIR	SUSPENSION			
37S*****	ABS	AIR	SUSPENSION				



**A**

A post lh 596  
 A post rh 596  
 Accelerator & linkage. 334 - 336  
 Accelerator cable 334  
 Accelerator linkage - efi 115  
 Accumulator 347  
 Adaptor housing auto - 300tdi 88  
 Adaptor plate - zf automatic 214  
 Adaptors block - 2.5 diesel turbo 138  
 Air cleaner - petrol - from maF47 393  
 Air cleaner - petrol - upto laC47 392  
 Air cleaner - vm diesel 394 - 395  
 Air cleaner - 200tdi 396  
 Air cleaner - 300tdi 397  
 Air conditioning compressor - 300 83  
 Air conditioning idlers - 300tdi 84  
 Air drier 311  
 Air harness assembly 313  
 Air harness. 313  
 Air supply & control units. 311  
 Air supply cover 311  
 Airbag assy driver 504  
 Airbag assy passenger 504  
 Alarm / remote locking system 531 - 535  
 Alarm systems. 883  
 Alternator - efi 126 - 128  
 Alternator - 200 tdi 47  
 Alternator - 300tdi 85  
 Alternator mounting - efi 129  
 Alternator mountings - 2.5 diesel 169  
 Alternators - 2.5 diesel turbo 167 - 168  
 Antenna - wing mounted 556  
 Anti-roll bar front 301  
 Anti-roll bar front 301  
 Anti-roll bar rear 308  
 Anti lock brake system 536 - 537  
 Anti-roll bar & shock absorber. 301 - 302  
 Anti-roll bar & shock absorber. 308 - 309  
 Arm wiper 562  
 Armrest assembly 819  
 Armrest assembly 819  
 Armrest assembly 819  
 Armrest assembly rh 796  
 Ashtray 701  
 Ashtray 702  
 Audible unit 571  
 Auto select mounting - up to ma64 698  
 Auto/manual select ma647645 on. 699

Auxiliary lamps 463  
 Axle assembly front 257  
 Axle assembly front 257  
 Axle assembly rear 280  
 Axle casing - non electronic air 260  
 Axle casing - with electronic air 261

**B**

Badge "classic" 675  
 Badge "land rover" 669  
 Badge "land rover" 672  
 Badge "land rover" 675  
 Badge "v8" 669  
 Badge grille 608  
 Bar protection underride 585  
 Barrel lock door lh 639  
 Barrel lock door rh 639  
 Battery & battery leads - petrol 472  
 Battery & battery leads - vm dies 473  
 Battery & battery leads - 200tdi 474  
 Bc post lh 596  
 Bc post rh 596  
 Bearings crankshaft - 2.5 diesel 140  
 Bell housing - manual - r380 201  
 Bell housing - manual 176  
 Bezel auto select 698  
 Bezel auto with seal 699  
 Blade wiper 557  
 Blade wiper 562  
 Blower assembly 442  
 Body colour labels 607  
 Body harness - from ja610294 up t 485  
 Body harness - from ka624781 up t 486  
 Body harness - from ma647645 487 - 488  
 Body styling kits. 676 - 677  
 Body tapes & rubbing strips from 670 - 672  
 Body tapes & rubbing strips up to 668 - 669  
 Bodyside - 108" l.w.b. 588  
 Bodyside - 2 door. 586  
 Bodyside - 4 door - non l.w.b. 587  
 Bodyside - 108" long wheel base. 600 - 601  
 Bodyside - 2 door. 596 - 597  
 Bodyside - 2 door. 747  
 Bodyside - 4 door. 598 - 599  
 Bodyside glass - 4 door. 665  
 Bolt - clearlock m8 123  
 Bonnet & locking platform. 611 - 612  
 Bonnet assembly 611  
 Bonnet catch lh 610

Bonnet catch rh 610  
 Bonnet lock. 609 - 610  
 Booster 347  
 Borg warner - tranmission brake 249 - 251  
 Bottom cover - manual 177  
 Bottom link 304  
 Box subwoofer 550  
 Bracket fusebox 483  
 Bracket mounting - h/sink 123  
 Brake - zf automatic 222 - 224  
 Brake disc 365  
 Brake pedal & bracket - up to la6 337  
 Brake pedal & bracket - upto la64 338  
 Brake pipes - non abs. 359 - 361  
 Brake pipes rear - non abs. 362  
 Brake pipes rear - with abs. 363 - 364  
 Brake system - abs. 347 - 357  
 Buckle & tongue assembly 861  
 Buckle assembly 858  
 Bump stop rubber 297  
 Burr walnut - 108" lwb up to ma64 713  
 Button sill 640  
 Buzzer 571

**C**

C.d amplifier 547  
 C.d.autochanger 547  
 Cable accelerator 334  
 Cable assembly air con 488  
 Cable assembly heater 488  
 Cable assembly heater 502  
 Cable assy cruise control 573  
 Cable assy cruise control 574  
 Cable assy mirror switch 489  
 Cable bonnet release 610  
 Caliper brake lh 365  
 Caliper brake rh 365  
 Camshaft - efi 107  
 Camshaft - 2.5 diesel turbo 152  
 Camshaft - 200 tdi 33  
 Camshaft - 300tdi 72  
 Cantrail lh 596  
 Cantrail rh 596  
 Cantrail rh 598  
 Cap fuel filler 381  
 Cap fuel filler 383  
 Capacitor 123  
 Car care 878  
 Carpet front lh 760

**C - Continued**

Carpet front rh	760	Control unit cdl	531	Cylinder block - efi	92
Carpet heelboard	763	Cooling fan - 2.5 diesel turbo	147	Cylinder block - 2.5 diesel turbo	137
Carpet loadspace/tailgate	765	Cooling fan - 200 tdi	24	Cylinder block - 200 tdi	14
Carpet rear passenger	762	Cooling fan - 300 tdi	64	Cylinder block - 300tdi	54
Carpet spare wheel	767	Coupler rotary	573	Cylinder head - efi	103 - 104
Carpet wheelarch	766	Coupler rotary	574	Cylinder head - 2.5 diesel turbo	149
Carpet/insulation tunnel	760	Cover armrest lh	799	Cylinder head - 200 tdi	28
Carpets & mats	881	Cover bc post lh	724	Cylinder head - 300tdi	66 - 67
Carrier & pump - borg warner	243	Cover bc post lh	747		
Case axle rear	281	Cover bc post rh	724		
Case differential	264	Cover bc post rh	747		
Casing & sump - zf automatic	216 - 217	Cover d post lh	740		
Casing door upper lh	719	Cover d post rh	740		
Casing door upper rh	719	Cover panel & lock bench seats	849		
Casing front door lh	720	Cover quarter trim lh	741	Damper assembly steering	326
Casing front door rh	720	Cover quarter trim rh	741	Damper harmonic	326
Catalyst - petrol	406	Cover quarter trim rh	741	Damper.	326
Catalyst - petrol.	405	Cover quarter trim rh	741	Dash assembly.	592 - 594
Charcoal canister from ka624756	399	Cover 1/3 seat	818	Decal bonnet	670
Charcoal canister upto ja624755	398	Cover 1/3 squab	818	Decal bonnet/tailgate	668
Chassis harness - from ma647645	501	Cover 2/3 cushion	818	Decal catalyst	668
Chassis harness - up to la647644	500	Cover 2/3 squab	817	Decal catalyst	670
Checkstrap lh	620	Cowl fuel filler	662	Decal injection	669
Checkstrap rh	620	Cowl instrument binnacle - up to	686	Decal injection	668
Child seat	882	Cowl radiator	411	Decal sidestripe	670
Cigar lighter	702	Cradle fuel tank	378	Decal sidestripe	670
Clamp dist-engine	122	Cradle fuel tank	380	Decal tailgate	670
Clock & cigar lighter - from ma64	546	Crankshaft - efi	93 - 94	Decal tdi	670
Clock & cigar lighter - up to la6	545	Crankshaft - 2.5 diesel turbo	139	Decal turbo d	668
Clutch - zf automatic	219 - 221	Crankshaft - 200 tdi	17	Decal vanden plas	672
Clutch master cylinder - diesel.	343	Crankshaft - 300tdi	56	Decal vanden plas	675
Clutch master cylinder - petrol.	342	Cross rod assembly	325	Decal vogue lse	670
Clutch pedal & mounting plate - u	339	Crossmember intermediate	578	Decal vogue lsei	670
Clutch release mechanism	175	Crossmember rear	578	Decal vogue s.e	670
Clutch release mechanism - diesel	197	Crown wheel and pinion	264	Decal vogue se	668
Clutch release mechanism - v8 - r	198	Crown wheel and pinion	285	Decal vogue sei	670
Cold start - 2.5 diesel turbo	154	Cruise control - from ma647645	574	Decals & rubbing strips - from ka	675
Collet air fitting	300	Cruise control - up to la647645	573	Decals & rubbing strips - from ka	674
Column steering	315	Cruise control unit	573	Decals 673 rubbing strips - from	673
Column support.	320	Cruise control unit	574	Decker panel	614
Column switches - from ma647645	506	Cubby box - ma647645 on.	704	Demisters	435
Column switches - up to la647644	505	Cubby box - up to ma647645	702	Diesel - upto ka638350	379
Compressor - 200 tdi	46	Cubby box - up to ma647645.	703	Diesel - from ka638351	380
Compressor assembly	311	Cushion assembly 1/3	818	Diesel - 200 tdi only.	407 - 408
Compressor assembly - efi	118 - 119	Cushion assembly 2/3	817	Diesel fuel filter.	391
Compressor assembly - 2.5 diesel	166	Cushion cover	784	Diesel sedimentor.	390
Console - up to ma647645.	700	Cushion cover rh	790	Diff case	264
Console- up to ma647645.	701	Cv joint	266	Differential	263
Control assembly	449	Cyclone breather - 300tdi	71	Differential case	264 - 265
		Cyclone breather assembly - 200 t	32	Differential case	285 - 286
				Differential.	262

**D**

**D - Continued**

Differential.	283 - 284
Dim dip transformer - up to la647	503
Dimmer unit	507
Dimmer unit	509
Distributor - efi	120 - 122
Dog guards.	880
Door assembly lh	618
Door assembly rh	618
Door harness - from ma647645	492
Door harness - 2 door - up to la6	489
Door harness - 4 door - up to la6	490 - 491
Door lamps	470
Door locks - 2 door.	636 - 638
Door locks front - heated - 4 doo	642 - 644
Door locks front - non heated - 4	639 - 641
Door locks rear.	645 - 647
Door pull	729
Door seal lh	622
Door seal rh	622
Door seal rh	623
Downpipe	403
Drive plate - efi	133
Drive shafts - with abs.	269 - 270
Drive shafts non abs from ja62451	267 - 268
Drive shafts non abs up to ja6245	266
Drop arm	321
Duct assembly air inlet	313
Dust proofing seals.	602

**E**

Ecu - window lift	519
Ecu - window lift	564
Electronic air suspension	530
Electronic control unit	526
Electronic fuel injection	526 - 527
Electronic traction control.	358
Engine complete - 2.5 diesel turb	135
Engine complete - 200 tdi	11
Engine harness - up to la647644	493 - 495
Engine harness - v8 pi - from ma6	496
Engine harness - 300tdi - from ma	497
Engine mountings - 200 tdi	20
Engine short - efi	91
Engine short - 200 tdi	13
Engine short - 300tdi	53
Engine stripped - efi	90

Engine stripped - 2.5 diesel turb	136
Engine stripped - 200 tdi	12
Evaporative loss system upto ja62	400
Evaporator coil	442
Exhaust gas recirculating - 300td	75 - 76
Exhaust gas recirculation	528
Exhaust gas recirculation - 200 t	36 - 37
Exhaust manifold - efi	110
Exhaust manifold - 2.5 diesel tur	156
Expansion tank - vm diesel & 200t	426
Expansion tank - v8 pi - up to la	424
Expansion tank - v8 pi from ma647	425
Expansion tank - 300tdi	427
Extension case - manual	179
Extension case - manual - r380	203
Exterior mirrors.	678 - 679
Extinguisher fire	865

**F**

Facia centre console ma647645 on	997
Facia decker panel & dash up to l	757
Facia ma647645 on	688 - 689
Facia ma647645 on.	687
Facia rail	684
Facia switches - from ma647645	508 - 509
Facia switches - up to la647644	507
Facia top & fixings - up to ma647	684 - 685
Finisher a post	723
Finisher a post	723
Finisher a post lh	719
Finisher a post rh	719
Flasher unit	484
Flasher unit	514
Flasher unit	516
Flasher unit	518
Flywheel & clutch - efi	132
Flywheel & clutch - 2.5 diesel tu	172
Flywheel and clutch - 200tdi	49 - 50
Flywheel and clutch - 300tdi	87
Flywheel housing - 2.5 diesel tur	171
Fog & driving lamps 1995my -->	889
Fog & driving lamps--> 1995my	888
Footrest & toebox trim ma647645 o	750
Footrest & toebox trim up to la64	748 - 749
Frame assembly	577 - 578
Fresh air system	436

From ma647645	768 - 769
Front - electric - 4 door	792 - 803
Front - heated - manual - 4 door	785
Front - heated - manual - 4 door	787
Front - heated - manual - 4 door.	784
Front - heated - manual - 4 door.	786
Front - heated - manual - 4 door.	788 - 789
Front - heated - memory - lse onl	807 - 809
Front - heated - memory - lse onl	810 - 812
Front - heated/memory - lightston	804 - 806
Front - manual - australia specia	790 - 791
Front - non heated - manual - 2 d	782 - 783
Front - 25th anniversary ltd edit	813 - 814
Front air conditioning system - f	446 - 449
Front air springs & dampers.	300
Front axle - non electronic air s	257 - 258
Front axle - with electronic air	259
Front belts.	858 - 859
Front brakes.	365
Front bumper	579 - 580
Front casing - borg warner	241
Front cover - efi	99
Front cover - 2.5 diesel turbo	145
Front cover - 200 tdi	21
Front cover - 300tdi	60 - 61
Front door assembly - 2 door.	618 - 619
Front door assembly - 4 door.	620 - 621
Front door frame & seal - 4 door.	623 - 624
Front door frame & seals - 2 door	622
Front door trim - 2 door.	719
Front door trim - 4 door ma647645	731 - 732
Front door trim - 4 door up to ma	720 - 722
Front door trim - 4 door up to ma	730
Front door trim - 4 door up to ma	723
Front door trim - 4 door up to ma	728 - 729
Front door trim - 4 door.	725
Front door trim - 4 doorup to ma6	724
Front door trim - 4 doorup to ma6	726 - 727
Front housing - borg warner	242
Front indicator & side lamp	464
Front seat motor and cables	567
Front seat motors & cables	568
Front seat switches - memory seat	570
Front seat switches - non memory	569
Front spoiler and engine under tr	581 - 582
Front spring	298
Front wings & deck panel.	613 - 614
Front,centre & loadspace up to la	760

## F - Continued

Front,centre & loadspace up to la	762	Glass bodyside rh	665	Harness facia - rhd	488
Front,centre & loadspace up to la5	761	Glass channel	619	Harness fuel filter	572
Front,centre & loadspace up to la6	763 - 765	Glass front door lh	619	Harness gearbox	498
Fuel filler - from ka624756	382 - 383	Glass front door lh	621	Harness gearbox	499
Fuel filler flap.	663	Glass front door rh	619	Harness heated screen	563
Fuel filler upto ja624755	381	Glass front door rh	621	Harness main	476
Fuel injectors - efi	111	Glass rear door lh	627	Harness pad wear	500
Fuel lift pump - 300tdi	77	Glass rear door rh	627	Harness rear door service	491
Fuel pipes - petrol	384 - 385	Glass rear quarter lh	629	Harness rear door service	492
Fuel pipes - tdi diesel	388 - 389	Glass rear quarter rh	629	Harness sensors/pad wear	536
Fuel pipes - vm diesel	387	Glass sunroof.	666 - 667	Harness window lift	564
Fuel pump	376	Glazing channel	619	Headlamp panel rh	589
Fuel pump	379	Glazing channel	621	Headlamp power wash	561
Fuel pump - 2.5 diesel turbo	157	Glazing rubber	619	Headlamps - lucas - up to ja62475	459
Fuel pump - 200 tdi	38	Glazing rubber	621	Headlamps - wipac from ka624755	461
Fuse box	476	Glow plug timer - from ma647645	525	Headlamps with levelling - lhs on	460
Fuse box	480	Glow plug timer - up to la647644	524	Headlamps with levelling - lhs on	462
Fuse box	483	Governer extension housing - zf a	227	Headlining - sun roof.	753 - 754
Fuse cover	695	Grab rail - leather	684	Headlining non sun roof.	751 - 752
Fusible link - 100a	483	Grab rail - vinyl	684	Headrests	853 - 854
		Grille & headlamp surround.	608	Headrests - lightstone leather -	856
		Grille panel	608	Headrests - 25th anniversary gulf	857
		Gulf states only	865	Headrests.	852
				Headrests.	855
				Heated front screen	563
				Heated fuel filter - cable, fuse	572
				Heater - v8 pi & vm diesel - up t	428 - 429
				Heater assembly - from ma647645	431 - 433
				Heater assembly - 200tdi - up to l	430
				Heater ducting front - from ma647	439
				Heater ducting rear - from ma6476	441
				Heater ducting rear - up to la647	440
				Heater hoses - from ma647645	437 - 438
				Heatshield	403
				Heatehield	409
				Heelboard	606
				High level stop lamp	468
				High tension leads - efi	124 - 125
				High/low - borg warner	247
				Hinge a post lh	620
				Hinge a post rh	620
				Hinge b post lh	627
				Hinge b post rh	627
				Hinge door lh	621
				Hinge door lh	627
				Hinge door rh	621
				Hinge door rh	627
				Horn	529

## G

Gas spring	659				
Gasket kit - efi	116				
Gasket kit - 2.5 diesel turbo	163				
Gasket kit - 200 tdi	43				
Gasket manifold	403				
Gear assembly	122				
Gear lever - manual	190 - 191				
Gearbox assembly - zf automatic	213				
Gearbox fore/aft	568				
Gearbox harness - from ma647645	499				
Gearbox harness - up to la647644	498				
Gearbox lift	568				
Gearbox recline	568				
Gearbox seat lh	567				
Gearbox seat rh	567				
Gearbox slide	568				
Gearbox 5 speed - manual	174				
Gearcase - manual	178				
Gearcase - manual - r380	199 - 200				
Gearcase - manual v8 - r380	202				
Gearchange - borg warner	248				
Gearchange - zf automatic	228 - 229				
Gearshift - manual - r380	210				
Glass bodyside lh	665				

## H

Halfshaft assembly rh	266				
Handbrake.	372 - 374				
Handle door inner lh	640				
Handle door inner lh	640				
Handle door inner rh	640				
Handle door inner rh	640				
Handle door outer lh	639				
Handle door outer rh	639				
Harness - radio to amplifier	555				
Harness air conditioning	493				
Harness airbag - rhs	504				
Harness body rh	485				
Harness brake pad wear	501				
Harness door	489				
Harness door front	490				
Harness door front	492				
Harness door rear	491				
Harness door rear - 100"	492				
Harness efi	527				
Harness engine	493				
Harness engine	496				

**H - Continued**

Hose bottom	412
Hose layout - pi only - up to la6	450 - 451
Hose layout - vm diesel only	452 - 453
Hose layout - 200tdi only	454 - 455
Hose top	411
Hoses - front system - from ma647	456
Housing & selector shaft.	323
Hubs & driving shaft - from ja624	278
Hubs & driving shaft non abs up t	287
Hubs & driving shafts non abs to	277
Hubs and driving shafts - with ab	279
Hubs and driving shafts - with ab	290 - 292
Hubs and driving shafts non abs f	288 - 289

**I**

Ignition coil - efi	123
Ignition coil bosch	123
Ignition coil lucas	123
Ignition switch & housing.	319
Illumination unit	698
Illumination unit	699
Inertia switch	512
Inertia switch	514
Inhibitor srs	484
Injection pump - 200 tdi	39
Injection pump - 300tdi	78
Injector assembly - 2.5 diesel tu	159 - 160
Injector pump - 2.5 diesel turbo	158
Injectors and pipes - 200 tdi	40
Injectors and pipes - 300tdi	79
Inlet manifold - efi	108 - 109
Inline filter & fuel pipe fixings	386
Insert cloth lh	729
Insert cloth rh	728
Insert door pull	719
Insert manual insulator	699
Instruments - from ma647645	539 - 540
Instruments - up to la647644	538
Insulation bonnet	612
Insulation bulkhead	757
Insulation dash	756
Insulation facia	757
Insulation floor lh	758
Insulation floor rh	758
Insulation gear change	758
Insulation ma647645 on.	759

Insulation tunnel	758
Insulator auto insert	699
Intake manifold - 2.5 diesel turb	155
Intercooler	415
Interior courtesy lamp	471

**J**

Jack hydraulic	864
Jet adaptors - 200 tdi	15
Jet adaptors - 300tdi	55
Jet assembly heated	560
Jet assembly unheated	560
Jet headlamp wash	561
Joint universal	317
Joint universal	318

**K**

Key blank	319
Key sunroof rewind	667
Kit filter - air inlet	313
Kit repair fusible link	476
Kit repair fusible link	480
Kit sports suspension	302

**L**

Label diesel fuel	381
Label diesel fuel	383
Label fuel spillage	663
Label unleaded fuel	381
Label unleaded fuel	383
Lamp front door	470
Lamp guards.	875
Lamp puddle	470
Lamp under bonnet	469
Latch door lh	639
Latch door rh	639
Layshaft - manual - r380	208
Layshaft - reverse idler - manual	186 - 187
Lead battery	472
Link assembly upper lh	303
Link assembly upper rh	303
Link lead fuel tank	502

Link lead heated jets	502
Link lead hrs to amp	502
Link lead pressure switch	502
Link lead water temp	502
Link leads & aerals	502
Liquid vapour separator from ka62	401
Loadspace protector	879
Lock lower tailgate.	656
Lock steering column	319
Lock tailgate	658
Locksets - 1992 model year (ja ch	648 - 649
Locksets - 1993 model year (ka ch	650 - 651
Locksets - 1995 model year (ma ch	652 - 653
Louvre	690
Lower facia - up to ma647645.	690 - 691
Lower facia- up to ma647645.	692
Lower seal tailgate	605
Lower steering shaft.	317 - 318
Lower tailgate.	654
Lubricants	877

**M**

Main harness - from ja610294 up t	475 - 476
Main harness - from ka624781 up t	477 - 480
Main harness - from ma647645	481 - 484
Main silencer & tailpipe	409
Mainshaft - borg warner	245
Mainshaft - manual	180 - 181
Mainshaft - manual - r380	204
Mainshaft gears - manual	182 - 185
Mainshaft gears-manual-r380	205 - 207
Manifolds - 200 tdi	35
Manifolds - 300 tdi	74
Mat rear passenger	762
Matrix	428
Meter air flow	392
Micro switch lh	644
Micro switch rh	644
Mirror door electric lh	678
Mirror door electric rh	678
Mirror interior	615
Motor seat	567
Motor window lh	633
Motor window rh	633
Motor wiper	557
Motor wiper rear	562



**M - Continued**

Moulding seat belt	728
Moulding tool stowage	864
Mounting bracket front - 2.5 dies	143
Mounting bracket rear - 2.5 diesel	144
Mounting brackets - borg warner	252
Mountings - diesel 300tdi	59
Mountings - dipstick - efi	97 - 98
Mountings - 2.5 tdi	192
Mudflaps front.	680
Mudflaps rear.	681
Multi function unit	484

**N**

Non catalyst - petrol.	403 - 404
Nudge bars air bag compatible	873
Nudge bars- not air bag compatible	872
Nudge bars- not air bag compatible	874
Nut locking steel wheel	295
Nut road wheel	294

**O**

Oil cooler	415
Oil cooler - automatic - up to la	233 - 234
Oil cooler - manual	193 - 194
Oil cooler v8 - automatic - from	235 - 236
Oil cooler v8 - manual - from ma6	211
Oil cooler 300tdi - automatic - f	237 - 238
Oil filter - 2.5 diesel turbo	148
Oil filter - 200 tdi	27
Oil filter - 300 tdi	65
Oil pump - efi	102
Oil pump - zf automatic	218
Oil pump - 200 tdi	25 - 26
Oil reservoir - diesel.	328
Oil reservoir - petrol.	327
Oil sump - efi	96
Oil sump - 2.5 diesel turbo	142
Outer panels bodyside.	661 - 662
Output shaft - borg warner	246
Overspeed audible warning	571
Overspeed monitor unit	571

**P**

Pad heated seat	788
Paint - aerosols.	868
Paint - touch up pencils.	867
Panel header	603
Panel seatback	782
Panel seatback	788
Panel seatback 1/3	820
Panel seatback 1/3	831
Panel seatback 2/3	820
Panel seatback 2/3	831
Panel seatbase 1/3	820
Panel seatbase 1/3	835
Panel seatbase 1/3	837
Panel seatbase 1/3	848
Panel seatbase 2/3	820
Panel seatbase 2/3	835
Panel seatbase 2/3	837
Panel seatbase 2/3	848
Panhard rod	296
Parcel shelf.	711
Parcel tray from ka624756	707 - 710
Parcel tray up to ja624755.	705 - 706
Pedal accelerator	334
Pedal assembly clutch	339
Pedalbox assembly - from ma647645	340 - 341
Petrol - from ka638157	378
Petrol - upto ka638156	376 - 377
Pipe fuel filler	382
Piston & rings - efi	95
Piston & rings - 2.5 diesel turbo	141
Piston & valve.	324
Pistons & rings - 200 tdi	18
Pistons & rings - 300 tdi	57
Plate bonnet locking	609
Platform bonnet locking	612
Plenum chamber - efi	112
Plenum chamber - efi - continued	113
Plinth & finishers	775 - 781
Pocket	788
Pocket door casing	730
Pocket storage	691
Post finishers 4 door ma647645 on	733 - 734
Potentiometer	429
Potentiometer	430
Power steering hoses - diesel.	331 - 332
Power steering hoses - petrol.	329 - 330
Power steering pump - efi	117
Power steering pump - 2.5 diesel	165

Power steering pump - 300tdi	82
Power steering pump 200 tdi	45
Principal components - up to la64	442 - 445
Printed circuit	538
Propeller shaft front.	255
Propeller shaft rear.	256
Pump front screen	559
Pump fuel / sender unit	378
Pump fuel / sender unit	378
Pump headlamp wash	560
Pump rear screen	559

**R**

Radiator & oil cooler - v8 pi - f	413 - 414
Radiator - petrol - up to la64764	411 - 412
Radiator - vm diesel	415
Radiator - 200tdi	417 - 418
Radiator hoses - vm diesel	416
Radiator seals	423
Radiator, intercooler & oil coole	419 - 422
Radio cass & c.d. - from ka624756	549 - 551
Radio cassette	547
Radio cassette & c.d. - from ma64	552
Radio cassette & c.d. - up to ja6	547
Radio housing & controls - up to	693 - 695
Radio housing & controls- up to m	696
Radius arm.	297
Ram pipes housing - efi	114
Rear - australia special edition	841 - 842
Rear - lightstone leather 1994 mo	839 - 840
Rear air springs & dampers.	307
Rear anchorage.	862
Rear axle assembly.	280
Rear axle case.	281 - 282
Rear belt	861
Rear belt.	860
Rear bench type seats	815 - 816
Rear brakes - non abs.	366 - 368
Rear brakes - with abs.	369 - 370
Rear bumper.	583 - 584
Rear door assembly.	625 - 630
Rear door frame	631 - 632
Rear door trim - ma647645 on	743 - 746
Rear door trim up to ma647645	742
Rear door trim up to ma647645.	735 - 739
Rear door trim up to ma647645.	741
Rear door trim up to ma647645.	740
Rear end structure.	605
Rear floor	606

## R - Continued

Rear lamps	466	Seal waist rh	628		
Rear number plate lamp	467	Seat assembly front lh	782		
Rear release mechanism	850 - 851	Seat assembly front lh	784		Squab assembly 1/3 818
Rear screen wiper	562	Seat assembly front rh	782		Squab assembly 2/3 817
Rear seats - leather	822 - 832	Seat assembly front rh	784		Squab cover 784
Rear seats - leather - lse only -	836 - 838	Seat covers.	885		Squab cover 790
Rear seats - leather - lse only -	833 - 835	Seat frame lh	790		Starter motor - efi 130 - 131
Rear seats - velour	817 - 821	Seat frame rh	784		Starter motor - 2.5 diesel turbo 170
Rear seats 25th anniversary editi	843 - 848	Seat frame rh	790		Starter motor - 200 tdi 48
Reel assembly	858	Security box	886		Starter motor - 300tdi 86
Refrigerator.	887	Selectors & shaft - manual	188 - 189		Steering box. 321 - 322
Regulator window lh	633	Selectors 209 shaft - manual - r3	209		Steering wheel and column - from 316
Regulator window rh	633	Self levelling unit.	310		Steering wheel and column - up to 315
Relay - air sus. warning	518	Sensor assembly	300		Stripped engine - 300tdi 52
Relay - rear defrost	484	Sensor crash	504		Sump - 300tdi 58
Relay e.f.i.	526	Sensor lambda	405		Sump/ladder frame - 200 tdi 19
Relay power wash	524	Sensor low fluid	560		Sun visors. 755
Relays - from ja610294 up to ja62	512 - 515	Sensor low level	424		Sunroof control unit 666
Relays - from ka624781 up to la64	516 - 519	Separator vapour	400		Supplementary restraint system 504
Relays - from ma647645	520 - 523	Service kits - zf automatic	232		Suppressor in line 122
Reservoir	347	Servo & master cylinder.	345 - 346		Suppressor taigate 502
Reservoir assembly	312	Shaft jack	864		Switch assembly 505
Reservoir assembly.	312	Shaft steering	317		Switch auxiliary lamp 507
Resistor - engine tune	496	Shield splash rh	371		Switch blower 429
Road wheels.	293 - 295	Shift interlock - zf automatic	230 - 231		Switch blower 430
Rocker cover - efi	106	Shock absorbers - non anti roll b	306		Switch courtesy light 507
Rocker cover - 2.5 diesel turbo	151	Side cover - 200 tdi	16		Switch cruise control 507
Rocker cover - 200 tdi	31	Side repeater lamp	465		Switch cruise control 508
Rocker cover - 300tdi	70	Side step	893		Switch cushion lh 569
Rocker shaft - efi	105	Side window rear - 2 door.	664		Switch cushion rh 569
Rocker shaft - 200 tdi	29	Sill finishers & tread plates.	770 - 772		Switch door open 471
Rocker shaft - 300tdi	68	Sound deadening pads up to la6476	756		Switch fuel flap open 509
Rod bonnet prop	609	Spare wheel retention & tool stow	864		Switch hazard warning 508
Roof bars & roof equipment.	892	Speaker front door	548		Switch headlamp level 508
Roof panel - non sunroof.	603	Speaker headlining	548		Switch heated rear window 507
Roof panel - sun roof.	604	Speakers & amplifiers - from ma64	553 - 554		Switch heated rear window 508
Roof rack.	890	Speakers - up to ja624755	548		Switch heated screen 508
		Speed sensor	571		Switch heated windscreen 507
		Speed transducer - from ma647645	544		Switch inhibit suspension 508
		Speedo cable & transducer - up to	543		Switch interior light 508
		Speedo drive - borg warner	244		Switch lamps driving 508
		Speedometer - u.k. police spec -	542		Switch lower suspension 508
		Speedometer - u.k. police spec -	541		Switch mirror change 489
		Speedometer mph	538		Switch mirror control 489
		Splash shields.	371		Switch oil temperature 236
		Spring air	300		Switch oil temperature 238
		Spring rear	304		Switch raise suspension 508
		Springs & bottom link.	304 - 305		Switch rear fog 507
		Springs & dampers.	298 - 299		Switch rear fog light 508
					Switch rear wash 509
					Switch seat lh 569
					Switch seat rh 569
					Switch speed/set 574
					Switch squab lh 569

## S

Safety equipment.	884				
Seal check strap	602				
Seal door latch	602				
Seal glazing	629				
Seal rear door lh	631				
Seal rear door rh	631				
Seal tailgate	605				
Seal waist lh	628				

**S - Continued**

Switch squab rh	569
Switch stop lamp	338
Switch sunroof - type b	471
Switch tailgate open	471
Switch wash/wipe	505
Switch 4 position	428
Switch 4 position	430
Swivel pin housing - non abs	273
Swivel pin housing - non abs.	271 - 272
Swivel pin housing - with abs	276
Swivel pin housing - with abs.	274 - 275

**T**

Tachometer	538
Tailpipe	403
Tailpipe & silencer	406
Tank fuel	378
Thermocouple cat overheat	502
Thermostat - 2.5 diesel turbo	153
Thermostat - 300tdi	73
Thermostat air temp.	560
Thermostat housing - 200 tdi	34
Timer unit	524
Timing belt - 200 tdi	22
Timing belt - 300 tdi	62
Top link and bush.	303
Torque converter - zf automatic	215
Torsion bar	611
Torsion spring lower tailgate	655
Towing electrics	871
Towing from ma647644	870
Towing up to ka647644	869
Track rods	325
Transducer	543
Transfer assembly - borg warner	240
Transformer dim dip	503
Tray trinket	685
Tread plate lh	770
Tread plate rh	770
Tube-vac	122
Tube heat shrinkable	351
Tube sunroof drain	597
Tunnel assembly	595
Tunnel,front & rear floor up to l	758
Turbo charger - 200 tdi	41
Turbo charger/ adaptors - 200 tdi	42

Turbocharger - 2.5 diesel turbo	161 - 162
Turbocharger - 300tdi	80

**U**

Under bonnet lamp	469
Under ride bar	585
Upper tailgate central locking.	660
Upper tailgate.	657 - 659

**V**

Vacuum hose egr	357
Vacuum pump - 2.5 diesel turbo	164
Vacuum pump - 200 tdi	44
Vacuum pump - 300 tdi	81
Vacuum tank and hoses	434
Valance & wheelarch	589 - 591
Valve block assembly	311
Valve pressure reducing	350
Valve rockers - 2.5 diesel turbo	150
Valves and tappets - 200 tdi	30
Valves and tappets - 300tdi	69
Vent lh	662
Vent rh	662
Viscous drive & fan - efi	101
Vm diesel	409

**W**

Waist seal lh	619
Waist seal lh	621
Waist seal rh	619
Waist seal rh	621
Water pump - efi	100
Water pump - 2.5 diesel turbo	146
Water pump - 200 tdi	23
Water pump- 300tdi	63
Webb shaft & 4th gear - zf automa	225 - 226
Wheel chock	864
Wheel nut wrench	864
Wheel road steel	293
Wheel steering	315
Wheelarch & spare wheel up to la6	766 - 767
Wheels	891

Winch- not air bag compatable	876
Window & seat switches - from ma6	511
Window assembly lh	664
Window assembly rh	664
Window lift control unit - from m	566
Window lift control unit - up to	565
Window lift control unit - 2 door	564
Window lift switches - up to la64	510
Window regulators front - 2 door.	633
Window regulators front - 4 door.	634
Window regulators rear.	635
Windscreen & headlamp wash	559 - 560
Windscreen & interior mirror	617
Windscreen & interior mirror.	615 - 616
Windscreen assembly	615
Windscreen wipers - from ma647645	558
Windscreen wipers - up to la64764	557
Wing front lh	613
Wing front rh	613
Wood trim - american walnut	715
Wood trim - american walnut.	714
Wood trim - burr walnut- up to ma	712
Wood trim - burr walnut - 108" ma	717
Wood trim - figured walnut ma6476	718
Wood trim - italian poplar - lse	716
Worm & valve assembly	324

**5**

5 speed-manual r380	196
---------------------	-----

MASTER INDEX

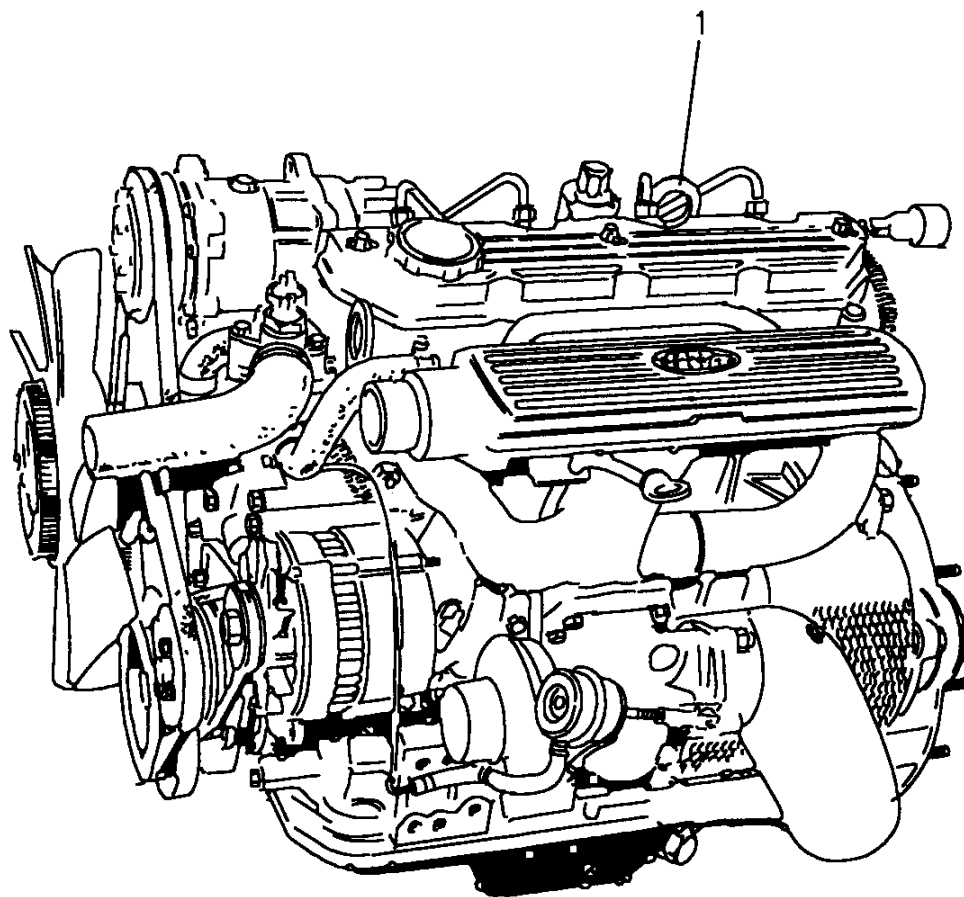
	PAGES
INTRODUCTION PAGES	1 - 3
ALPHABETICAL INDEX	4 - 9
ENGINE	10 - 50
ENGINE	51 - 88
ENGINE	89 - 133
ENGINE	134 - 172
GEARBOX	173 - 194
GEARBOX	195 - 211
GEARBOX	212 - 238
TRANSFER BOX	239 - 252
AXLES AND SUSPENSION	253 - 313
STEERING	314 - 332
VEHICLE AND ENGINE CONTROLS	333 - 343
BRAKES	344 - 374
FUEL SYSTEM AND AIR CLEANER	375 - 401
EXHAUST SYSTEM	402 - 409
COOLING/HEATING	410 - 456
BODY ELECTRICAL	457 - 574
BODY AND CHASSIS	575 - 681
INTERIOR TRIM	682 - 772
SEATS	773 - 843
SEATS	844 - 862
STOWAGE	863 - 865
ACCESSORIES - PAINTS	866 - 893
NUMERICAL INDEX	895 - 958

GROUP B

ENGINE

ENGINE

ENGINE COMPLETE - 200 TDI	11
ENGINE STRIPPED - 200 TDI	12
ENGINE SHORT - 200 TDI	13
CYLINDER BLOCK - 200 TDI	14
JET ADAPTORS - 200 TDI	15
SIDE COVER - 200 TDI	16
CRANKSHAFT - 200 TDI	17
PISTONS & RINGS - 200 TDI	18
SUMP/LADDER FRAME - 200 TDI	19
ENGINE MOUNTINGS - 200 TDI	20
FRONT COVER - 200 TDI	21
TIMING BELT - 200 TDI	22
WATER PUMP - 200 TDI	23
COOLING FAN - 200 TDI	24
OIL PUMP - 200 TDI	25 - 26
OIL FILTER - 200 TDI	27
CYLINDER HEAD - 200 TDI	28
ROCKER SHAFT - 200 TDI	29
VALVES AND TAPPETS - 200 TDI	30
ROCKER COVER - 200 TDI	31
CYCLONE BREATHER ASSEMBLY - 200 TDI	32
CAMSHAFT - 200 TDI	33
THERMOSTAT HOUSING - 200 TDI	34
MANIFOLDS - 200 TDI	35
EXHAUST GAS RECIRCULATION - 200 TDI	36 - 37
FUEL PUMP - 200 TDI	38
INJECTION PUMP - 200 TDI	39
INJECTORS AND PIPES - 200 TDI	40
TURBO CHARGER - 200 TDI	41
TURBO CHARGER/ ADAPTORS - 200 TDI	42
GASKET KIT - 200 TDI	43
VACUUM PUMP - 200 TDI	44
POWER STEERING PUMP 200 TDI	45
COMPRESSOR - 200 TDI	46
ALTERNATOR - 200 TDI	47
STARTER MOTOR - 200 TDI	48
FLYWHEEL AND CLUTCH - 200TDI	49 - 50



**Model** RANGE ROVER 1992 onwards  
**Page** BDBMAA1A

**ENGINE - ENGINE COMPLETE - 200 TDI**

III. Part No.	Description	Qty	Remarks
<b>Engine No 14L00001A</b>			
1 STC1202N	Engine complete assembly	1	NON AIR CON
1 STC1173N	Engine complete assembly	1	AIR CON

Note(1) Complete Engine includes flywheel,clutch and electrics.

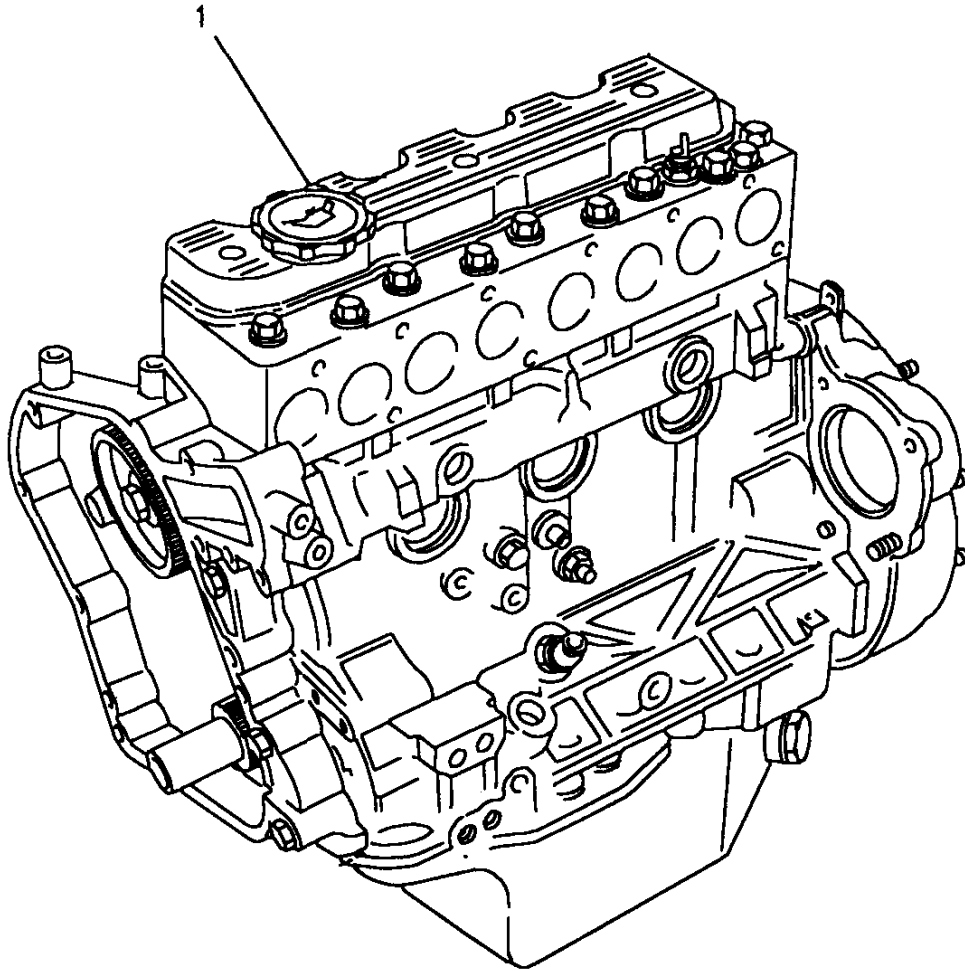
TS 6757



**Model** RANGE ROVER 1992 onwards  
**Page** BDBMAC1B

**ENGINE - ENGINE STRIPPED - 200 TDI**

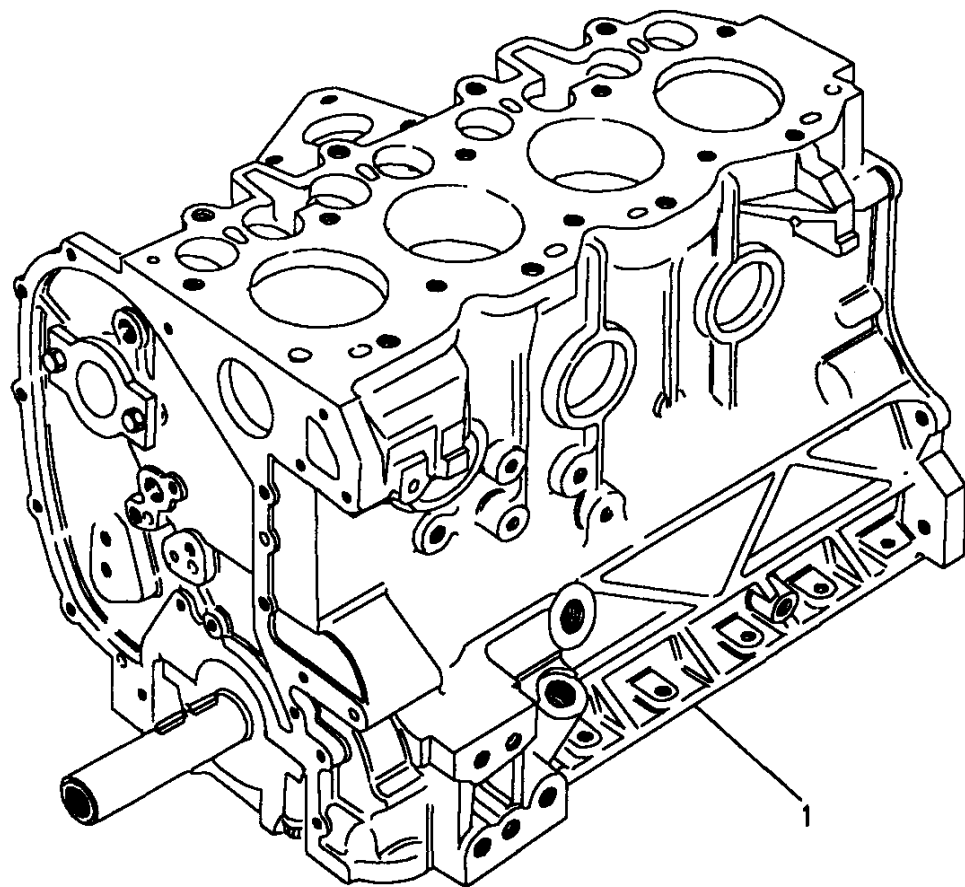
III. Part No.	Description	Qty	Remarks
1 STC1065N	Engine stripped assembly	1	14L00001A

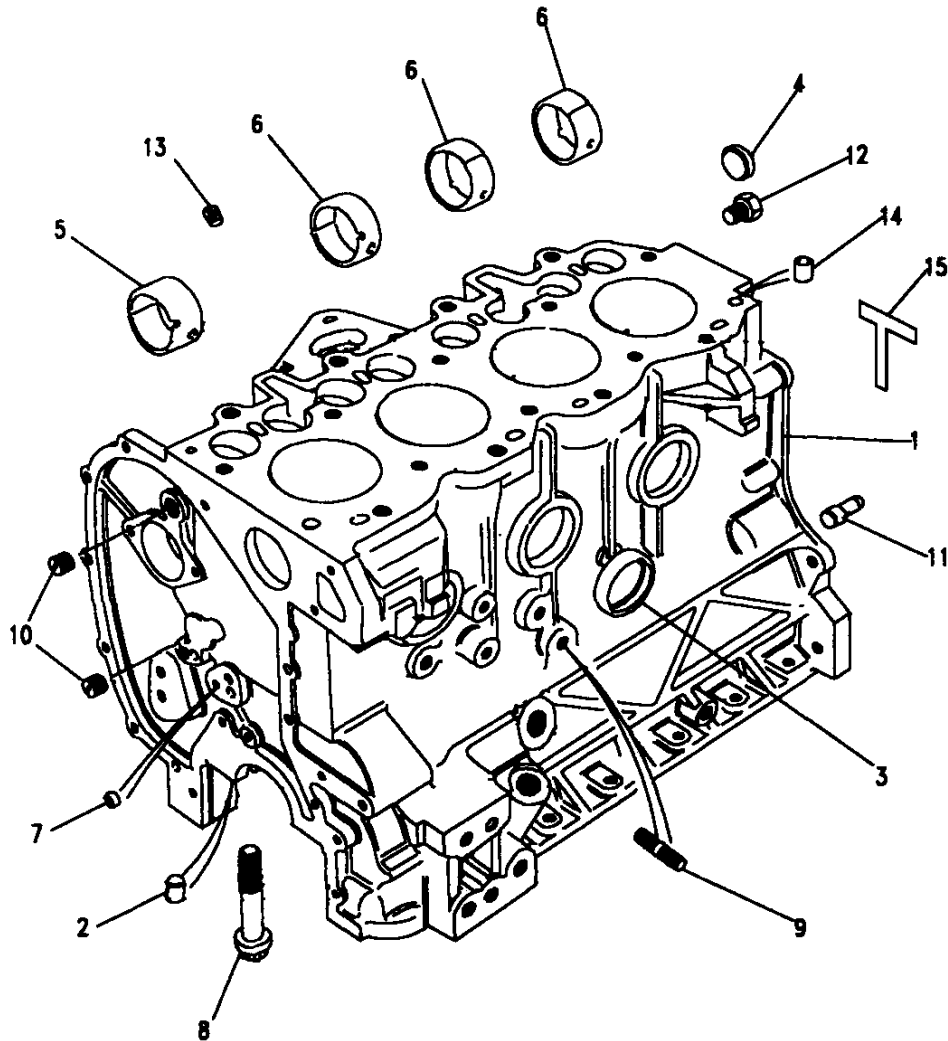


**Model** RANGE ROVER 1992 onwards  
**Page** BDBMAE1A

**ENGINE - ENGINE SHORT - 200 TDI**

III. Part No.	Description	Qty	Remarks
1 RTC6635	Engine short assembly	1	14L00001A





**Model** RANGE ROVER 1992 onwards  
**Page** BDBMBA1A

**ENGINE - CYLINDER BLOCK - 200 TDI**

Ill. Part No.	Description	Qty	Remarks
1	ERR3	1	Cylinder block assembly
2	501593	10	Dowel bearing cap
3	ERC4996	6	Cup plug
4	597586	1	Cup plug
5	ETC8442	1	Bearing cam FRONT
6	90519055	3	Bearing cam REAR
7	ETC4529	1	Cup plug
8	ETC8074	8	Boit main bearing cap
9	TE108031L	1	Stud-starter
10	247127	1	Plug
11	ERC4644	2	Dowel
12	ETC4992	2	Plug
13	ERR5034	3	Plug
14	ETC8352	1	Dowel
15	ERR913	2	Packing strip

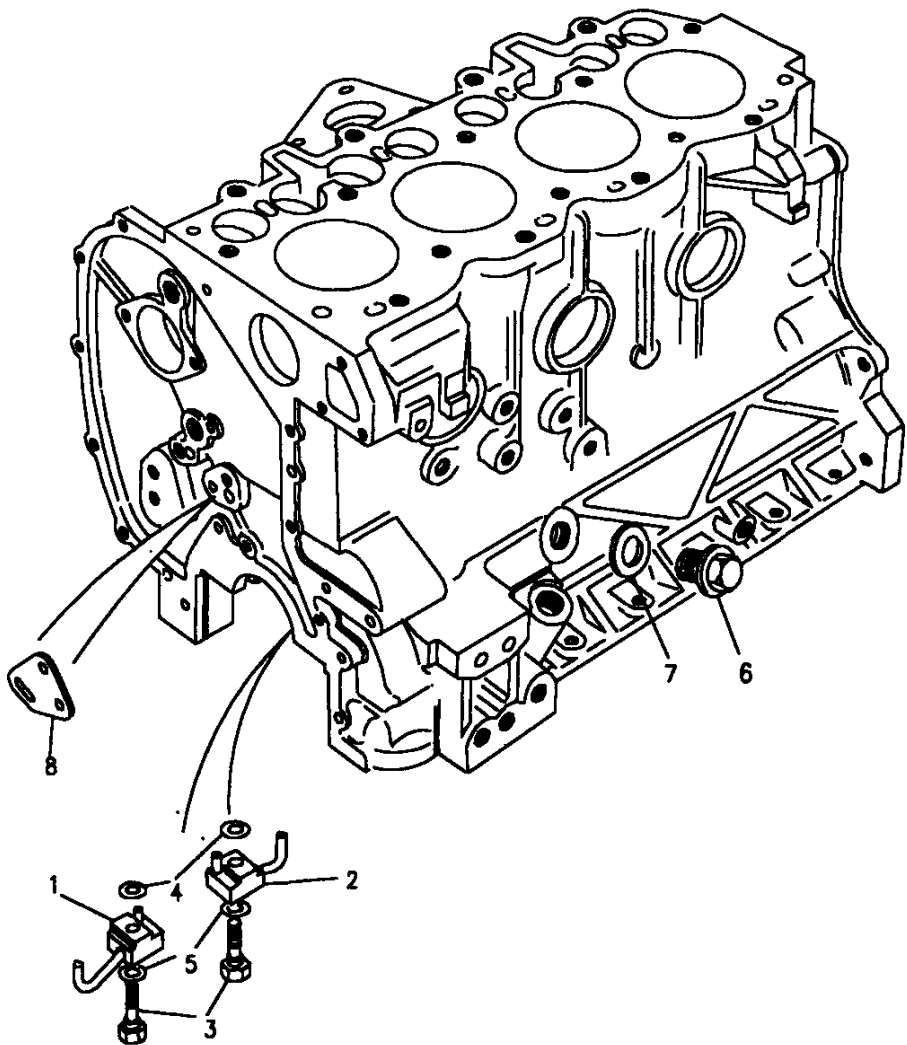
Note(1) Part of gasket kit STC363

**Model** RANGE ROVER 1992 onwards  
**Page** BDBMBA2A

**ENGINE - JET ADAPTORS - 200 TDI**

III. Part No.	Description	Qty	Remarks
1 ETC6531	Jet assembly Nos 1and 3	2	
2 ETC6532	Jet assembly Nos 2and 4	2	
3 ETC5592	Valve relief	2	
4 AFU1879L	Washer joint	4	Note(1)
5 AFU1887L	Washer joint	4	Note(1)
6 ERC9410	Plug	1	
7 AFU1882L	Washer joint	1	Note(1)
8 ERC8864	Gasket	1	Note(1)

Note(1) Part of gasket kit STC383



736092

**Model** RANGE ROVER 1992 onwards  
**Page** BDBMBC1A

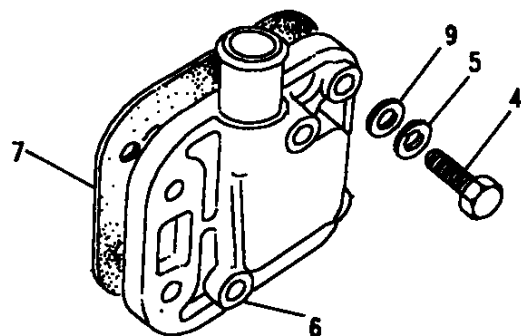
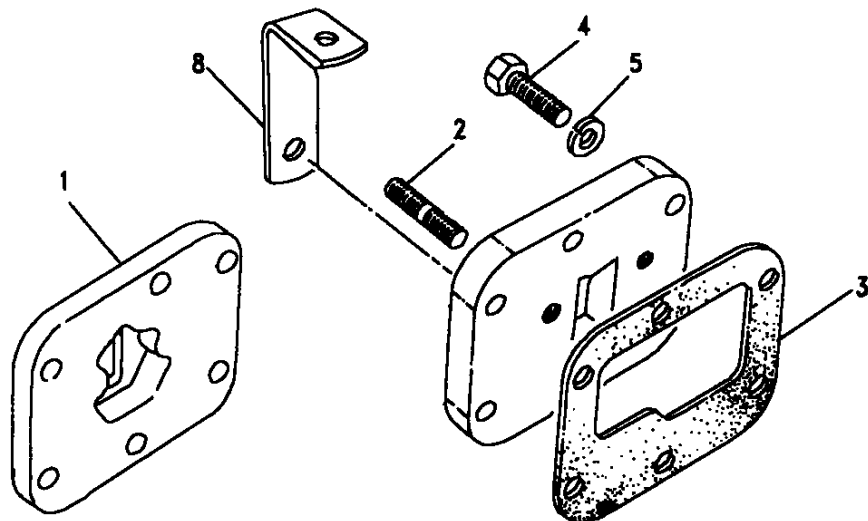
**ENGINE - SIDE COVER - 200 TDI**

III. Part No.	Description	Qty	Remarks
1 ETC7929	Cover plate	1	
2 TE108041L	Stud	2	
3 ERR1475	Gasket	1	Note(1)
6 541010	Plate cover	1	
7 247555	Gasket	1	Note(1)

**Cover to block**

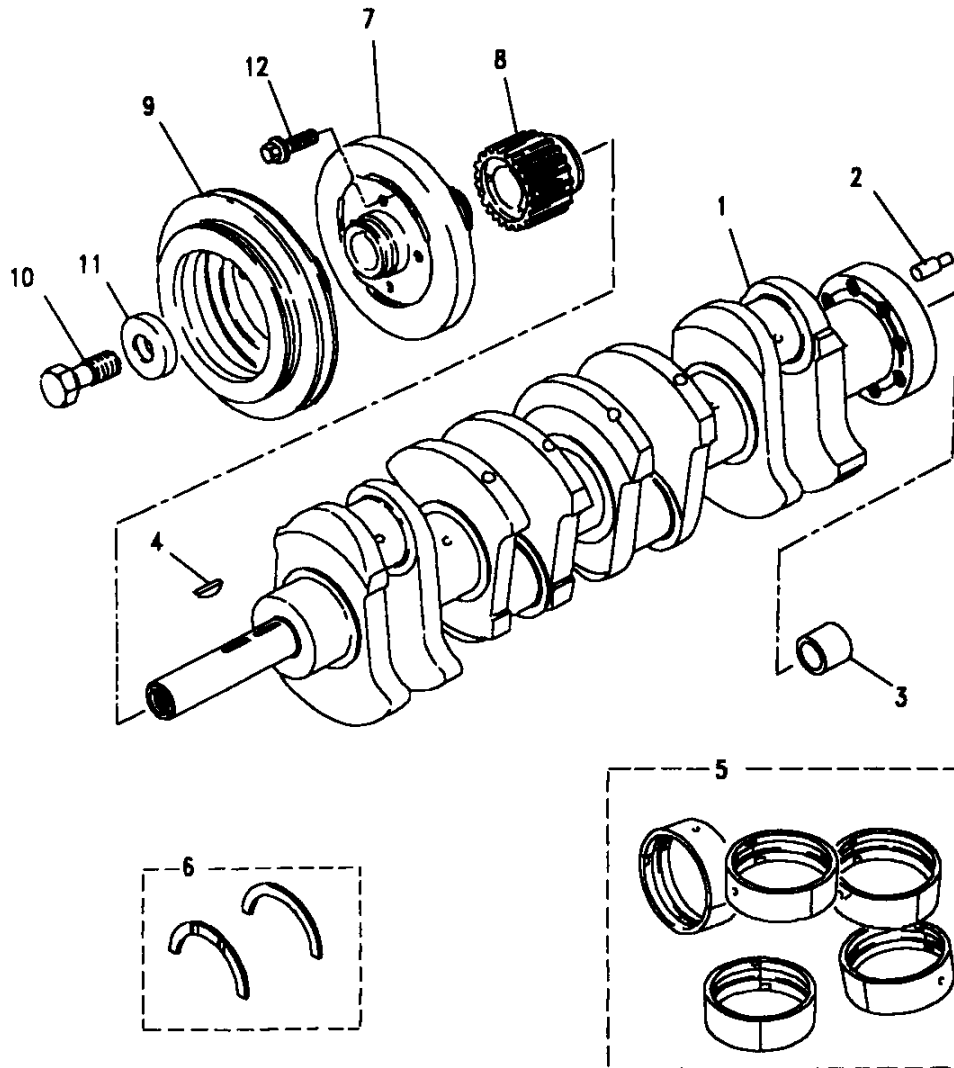
4 FS108251L	Screw	3	
5 WL108001L	Washer	12	
9 WA108051L	Washer	3	
8 ERC9480	Bracket harness clip	1	

Note(1) Part of gasket kit STC363



756825





**Model** RANGE ROVER 1992 onwards  
**Page** BDBMCA1B

**ENGINE - CRANKSHAFT - 200 TDI**

III. Part No.	Description	Qty	Remarks
1	ERR1181 Crankshaft	1	
2	ERC4650 Dowel crankshaft	1	
3	8566L Bush crankshaft	1	
4	235770 Key	2	
5	RTC4783 Bearing set main	1	
6	RTC2825 Washer thrust standard	A/R	
	538131 Washer thrust 0025"	A/R	
	538132 Washer thrust 0050"	A/R	
	538134 Washer thrust 010"	A/R	
7	ERR751 Damper & flinger	1	
	ETC4390 Flinger	1	
8	ERR1642 Pulley crankshaft timing	1	
9	ERR2351 Pulley-single BASIC	1	)Note(1)
	ERR2352 Pulley-double AIR CON	1	
10	ERR605 Bolt	1	
11	ERR705 Washer	1	
12	FS108201L Screw M8x20	4	

Note(1) When AIR CON is fitted use ERR751 with correct pulley

**Model** RANGE ROVER 1992 onwards

**Page** BDBMCC1A

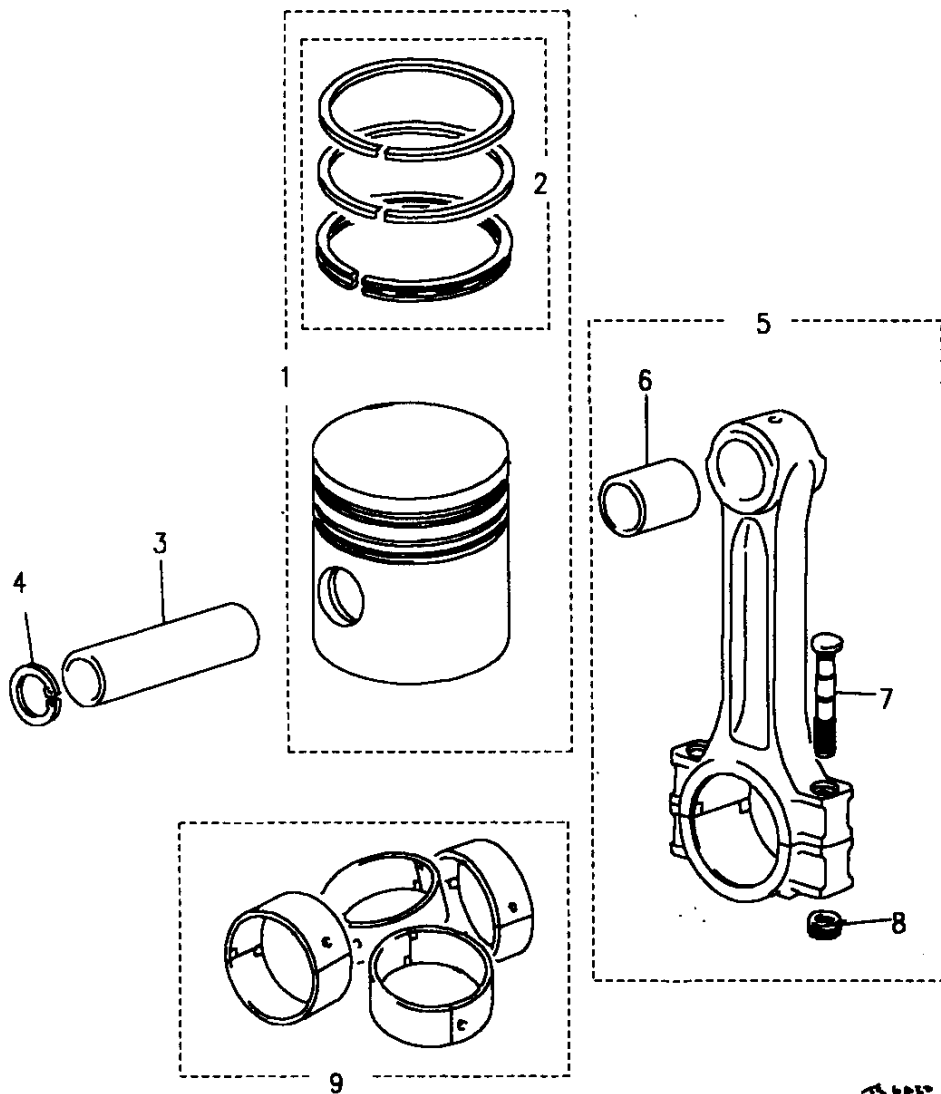
**ENGINE - PISTONS & RINGS - 200 TDI**

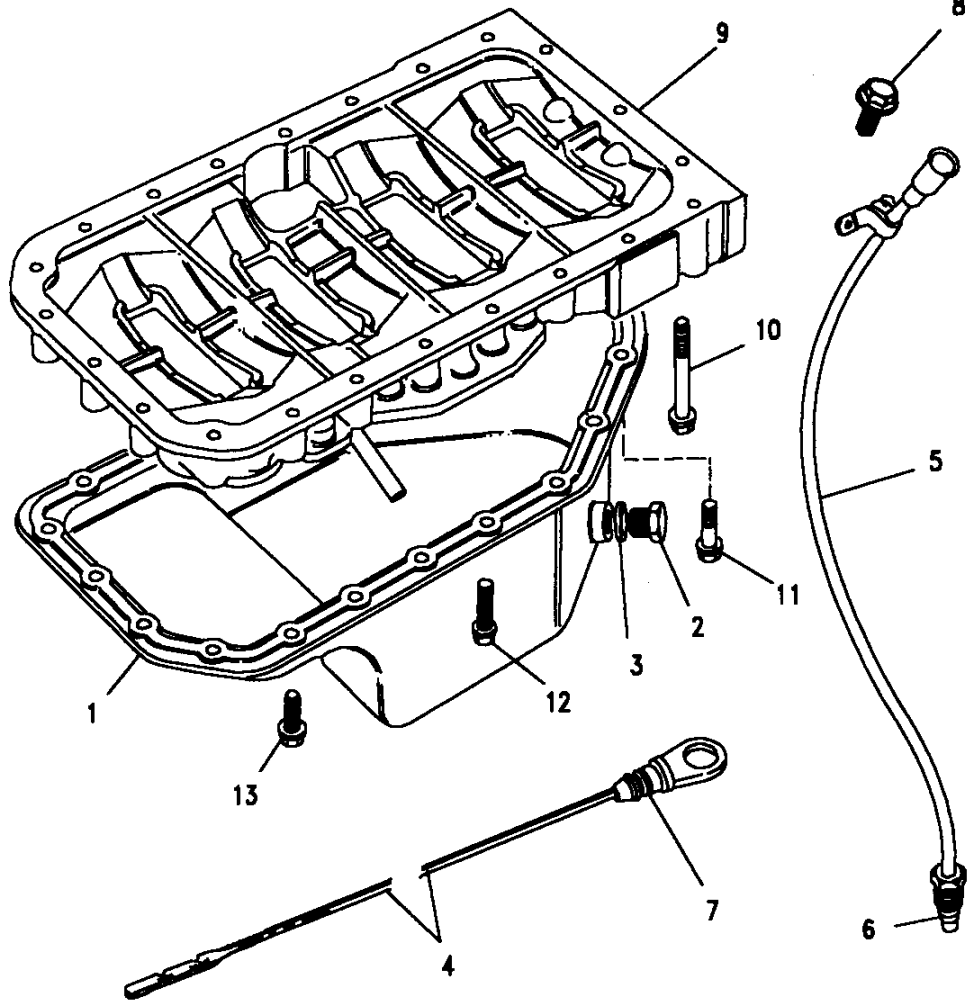
III. Part No.	Description	Qty	Remarks
1 ERR1390	Piston assembly GX	4	Note(1)
1 ERR1391	Piston assembly GY	4	Note(2)
2 RTC6457	Kit piston ring standard	4	
3 ERR703	Gudgeon pin	4	
4 266945	Circlip	2	
5 ETC8086	Con rod	4	
6 ETC7286	Bush	4	
7 ETC7357	Bolt	2	
8 ETC8191	Nut	2	

**CON rod bearing engine set**

9 RTC2993	Bearing set big end	1	
RTC299310	Bearing set big end	1	0.010"o/s

Note(1) Grade X Piston is For Cylinder Bore 90.487-90.475(see Note 3)  
 Note(2) Grade Y Piston is For Cylinder Bore 90.500-90.487(see Note 3)  
 Note(3) PISTONS MUST BE CHANGED AS COMPLETE SETS.





**Model** RANGE ROVER 1992 onwards  
**Page** BDBMDA1A

**ENGINE - SUMP/LADDER FRAME - 200 TDI**

III. Part No.	Description	Qty	Remarks
1 ERR3277	Sump-treated Plug	1	
2 603659	Plug	1	
3 213961	Washer joint	1	Note(1)
4 ERR1103	Dipstick	1	
5 ERR1248	Tube dipstick	1	
6 236048	Olive	1	
7 ERR1213	O ring	1	Note(1)
8 FS105107	Screw	2	
9 ERR1291	Ladder frame	1	Note(2)

**Ladder Frame to Block**

10 FB108251	Bolt flange M8x125	2	
11 FB108121L	Bolt flange M8x60	4	
12 FS108301L	Bolt	3	

**Sump to Ladder Frame/Block**

11 FB108121L	Bolt flange M8x60	12	
13 FS108251L	Screw flange M8x25	8	
STC611	Sealant-Hylomar 2000	1	Note(2)

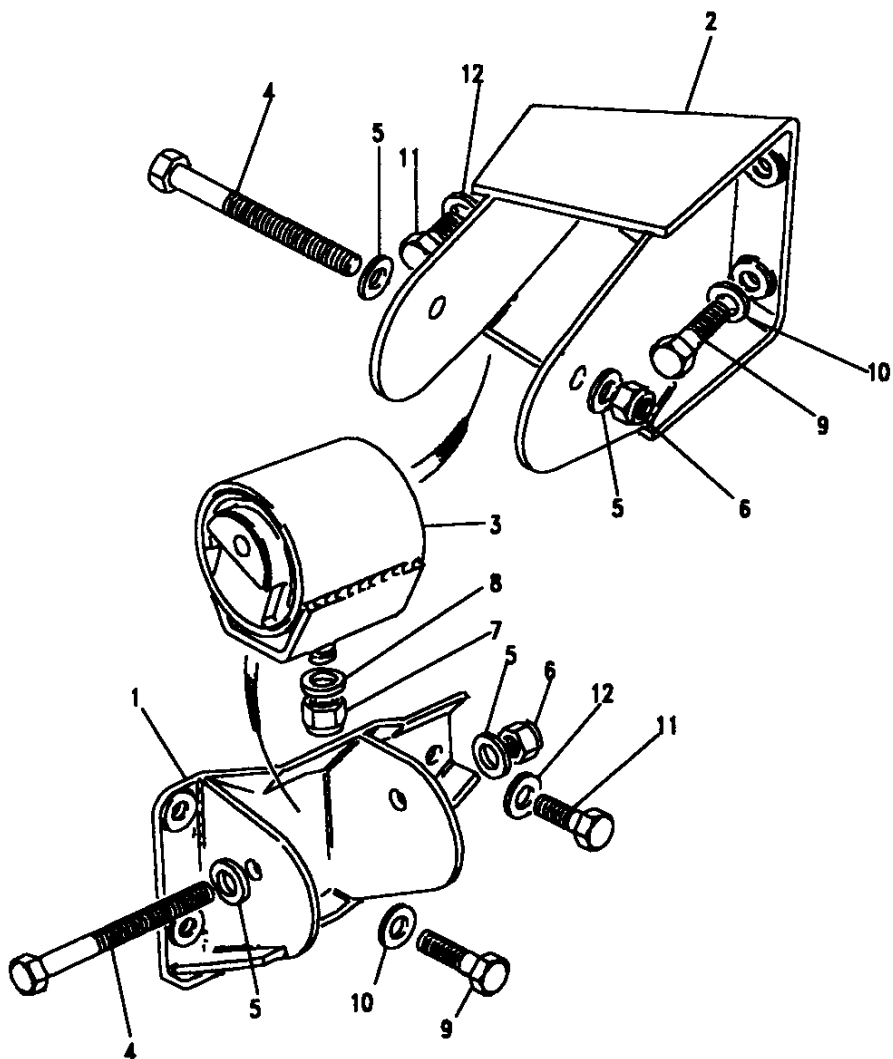
Note(1) Part of gasket kit STC363  
 Note(2) Sealant to be used between ladder frame and sump.

**Model** RANGE ROVER 1992 onwards  
**Page** BDBMDC1A

**ENGINE - ENGINE MOUNTINGS - 200 TDI**

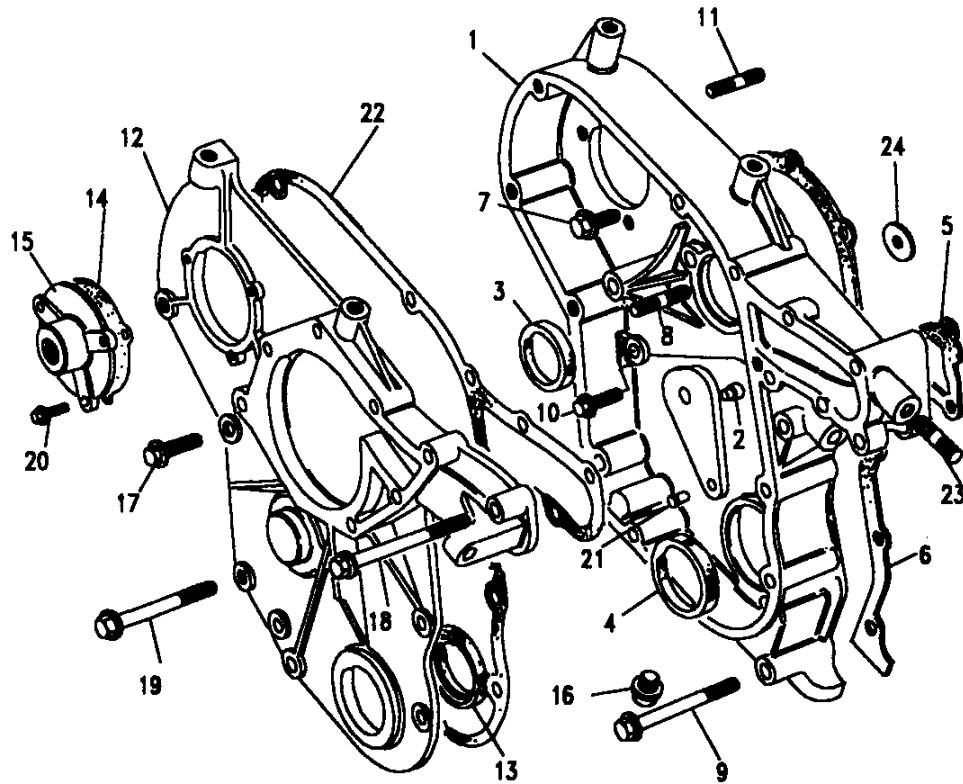
III. Part No.	Description	Qty	Remarks
1	NTC6280	1	
2	NTC6281	1	
3	NTC6279	2	Note(1)
	ANR2488	2	Note(2)
4	BH112261L	2	
5	WA112081L	4	
6	NY112041L	2	
7	NY116041L	2	
8	WA116101L	2	
9	SH112251L	4	
10	WA112081L	4	
11	SH110201L	2	
12	WA110061L	2	

Note(1) Up to 14L03568A  
 Note(2) From 14L03569A



**Model** RANGE ROVER 1992 onwards  
**Page** BDBMEA1B

**ENGINE - FRONT COVER - 200 TDI**



III. Part No.	Description	Qty	Remarks
1	ERR1111	1	Cover front
2	6395L	1	Dowel
3	ETC5064	1	Oil seal camshaft
4	ETC5065	1	Oil seal crankshaft
5	538038	1	Gasket water inlet
6	538039	1	Gasket front cover
7	FS108251L	1	Screw M8x25mm
8	TD108201	1	Stud M8x110mm
9	FB108141L	2	Bolt M8x70mm
10	FB108071L	1	Bolt M8x35mm
11	TE108161L	3	Stud M8x92mm
12	ERR390	1	Plate front cover
13	ETC4154	1	Seal oil
14	ERR635	1	Gasket front cover
15	ETC8853	1	Bracket mounting
	ERR25	1	Plate cover
16	ERC7295	1	Plug rubber
17	ERR1121M	3	Screw M8x25mm
18	ERR1122M	2	Bolt M8x90mm
19	FB108161L	4	Bolt M8x80mm
20	SE106101L	3	Screw M6x10mm
21	ERR14	1	Pin tensioner pivot
22	ERR1195	1	Gasket cover plate
23	ERR1108	2	Stud M8x1.25
24	ERR394	1	Gasket front cover

Note(1) WADING PLUG.  
 Note(2) Part of gasket kit STC363

756689A.

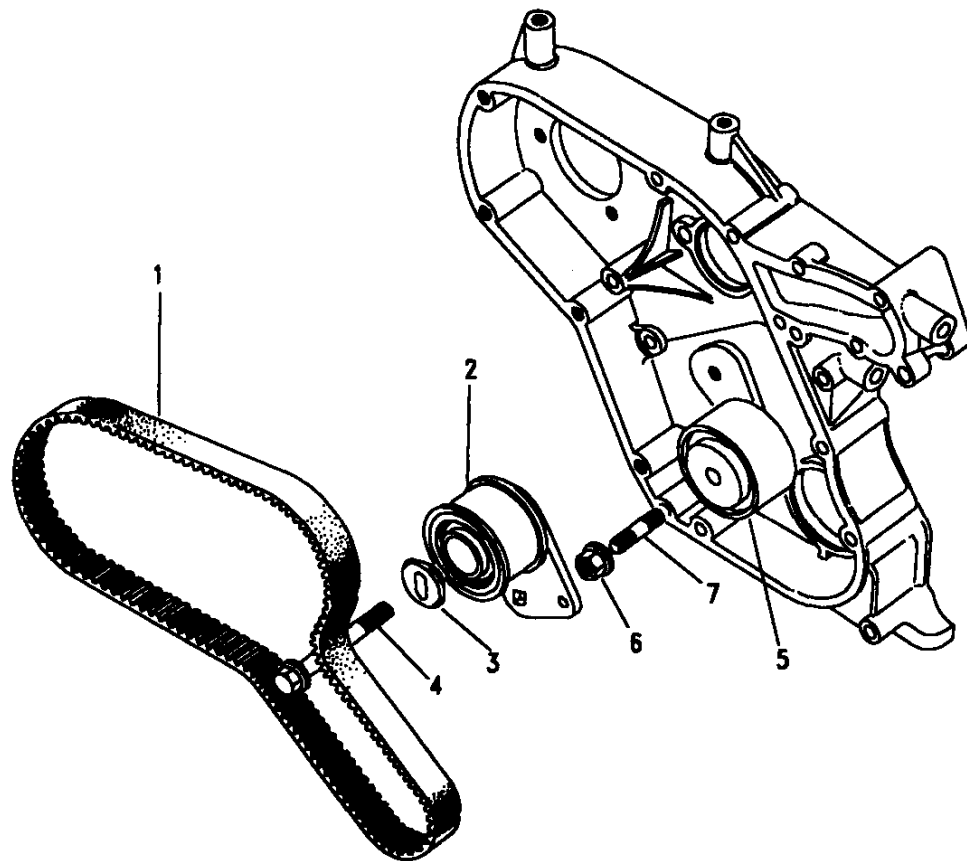


**Model** RANGE ROVER 1992 onwards

**Page** BDBMEC1A

**ENGINE - TIMING BELT - 200 TDI**

III. Part No.	Description	Qty	Remarks
1	ETC8550	1	Belt timing
2	ERR2530	1	Tensioner timing belt
3	ERR900	1	Washer
4	FB110141L	1	Bolt M10x70mm
5	ETC8580	1	Pulley idler
6	FN110041L	1	Nut flanged
7	TD110041L	1	Stud



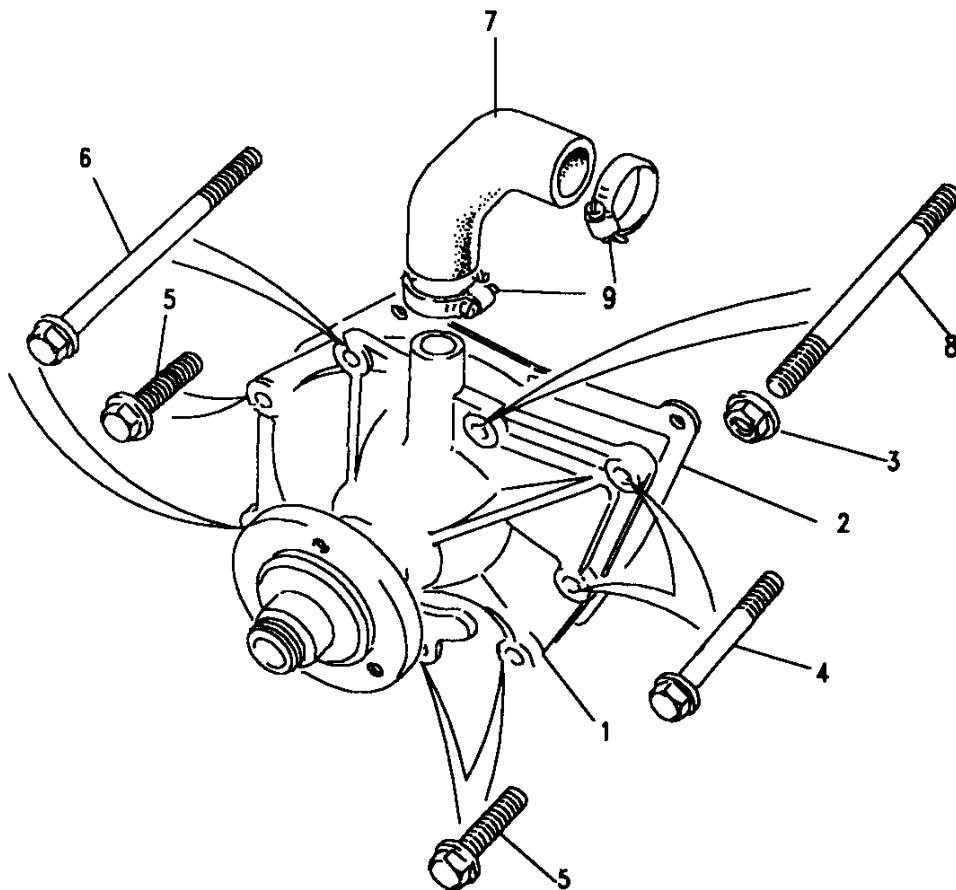
Model RANGE ROVER 1992 onwards

Page BDBMEE1A

ENGINE - WATER PUMP - 200 TDI

III. Part No.	Description	Qty	Remarks
1	RTC6395	1	
2	ERR388	1	Note(1)
3	FN108041L	1	
4	ERR1120M	2	
5	ERR1121M	3	
6	ERR1119M	2	
7	ERR1361	1	
8	TD108201	1	
9	CN100408L	2	

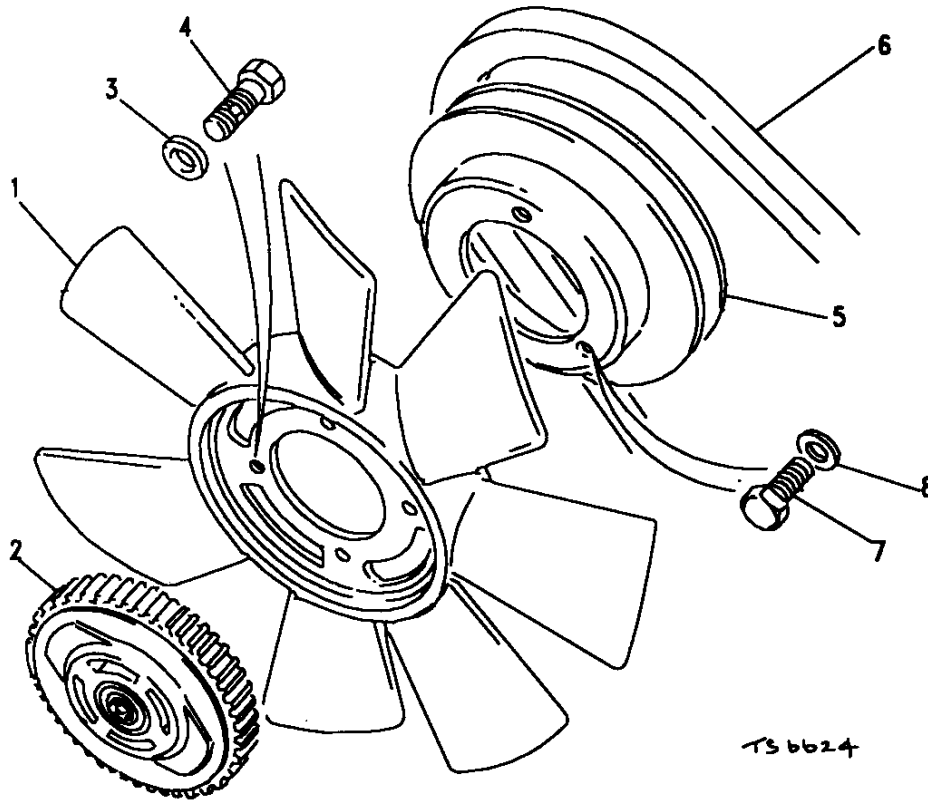
Note(1) Part of gasket kit STC363

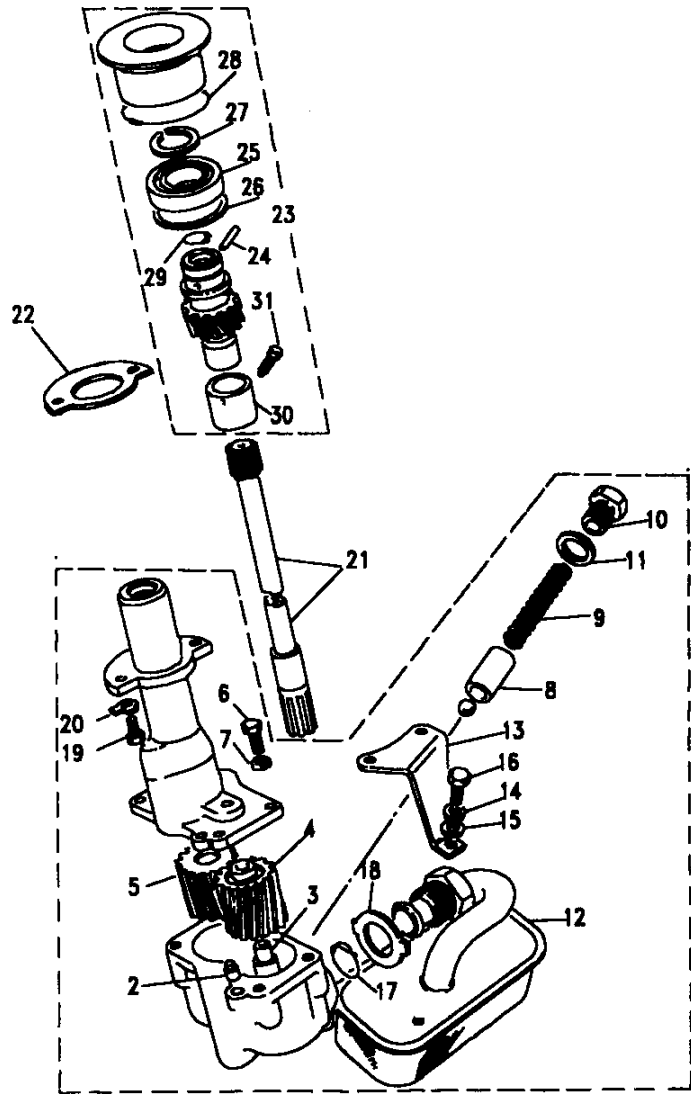


**Model** RANGE ROVER 1992 onwards  
**Page** BDBMEG1A

**ENGINE - COOLING FAN - 200 TDI**

III. Part No.	Description	Qty	Remarks
1	ERR3380	1	Fan
2	ETC7238	1	Viscous unit
3	4589L	4	Washer
4	ERC5709	4	Bolt
5	ETC5499	1	Pulley single groove
6	ERR810	1	Belt
7	SH604051L	3	Screw
8	WA106041L	3	Washer



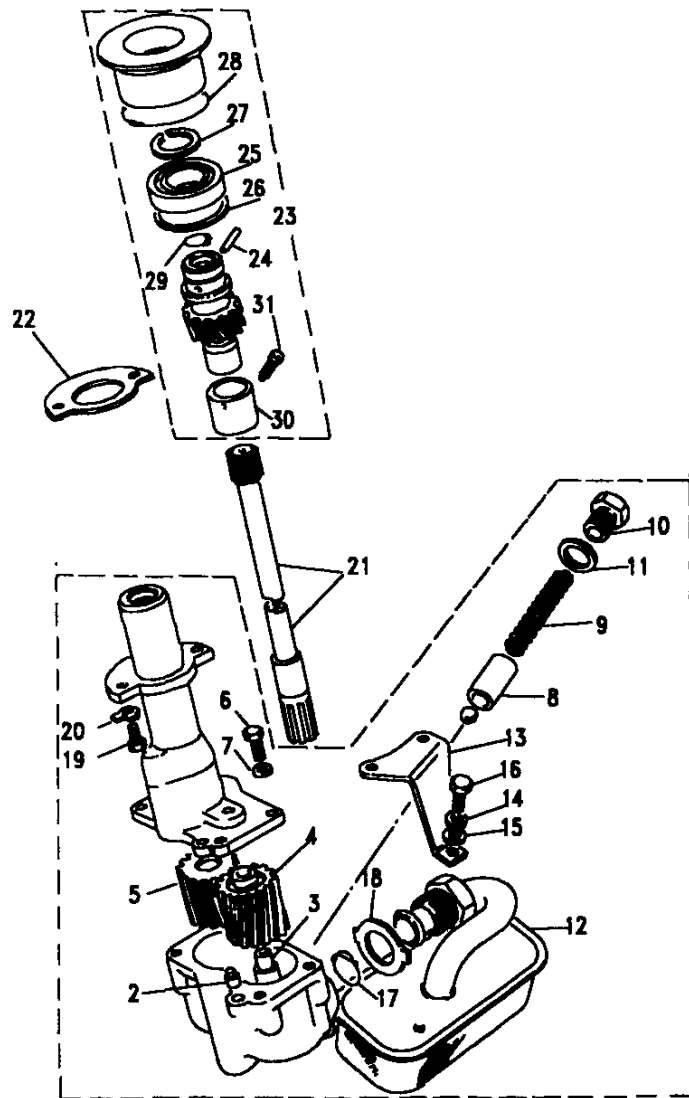


**Model** RANGE ROVER 1992 onwards  
**Page** BDBMFA1A

**ENGINE - OIL PUMP - 200 TDI**

III. Part No.	Description	Qty	Remarks
1 ERR1178	Pump oil	1	
2 236257	Dowel	2	
3 ERR1063	Spindle	1	
4 ERR1088	Gear idler	1	
5 ERC9706	Gear driven	1	
6 FS108201L	Screw	4	
7 WL108001L	Washer	4	
8 ETC4880	Plunger	1	
9 564456	Spring	1	
10 564455	Plug	1	
11 232044	Washer joint	1	Note(1)
12 ERR402	Strainer oil pump	1	
13 ERR541	Bracket	1	

Note(1) Part of gasket kit STC363

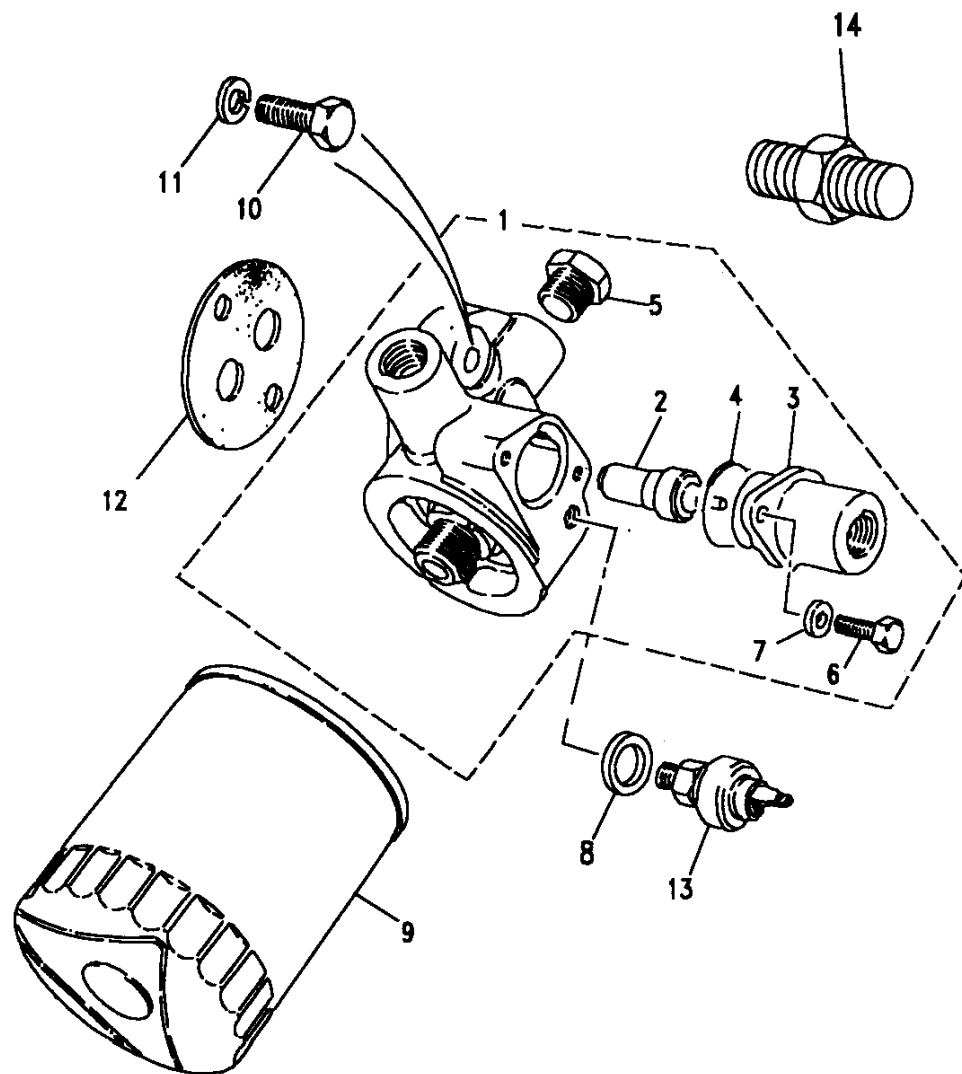


**Model** RANGE ROVER 1992 onwards  
**Page** BDBMFA1A

**ENGINE - OIL PUMP - 200 TDI**

III. Part No.	Description	Qty	Remarks
14	WA108051L Washer	1	
15	WL108001L Washer spring	1	
16	FS108201L Screw	1	
17	244488 O ring	1	Note(1)
18	244487 Washer lock	1	
19	FS108251L Screw	2	
20	247665 Washer lock	2	
21	ERR850 Shaft	1	
22	ERC8408 Gasket	1	Note(1)
23	ERR928 Drive assembly	1	
24	ERR309 Pin	1	
25	ERR528 Bearing	1	
26	CR120305 Snap ring external	1	
27	ERR530 Snap ring internal	1	
28	ERR531 O ring	1	Note(1)
29	ERR532 O ring	1	Note(1)
30	ERR500 Bush	1	
31	ERR848 Screw	1	

Note(1) Part of gasket kit STC363



**Model** RANGE ROVER 1992 onwards  
**Page** BDBMFC1A

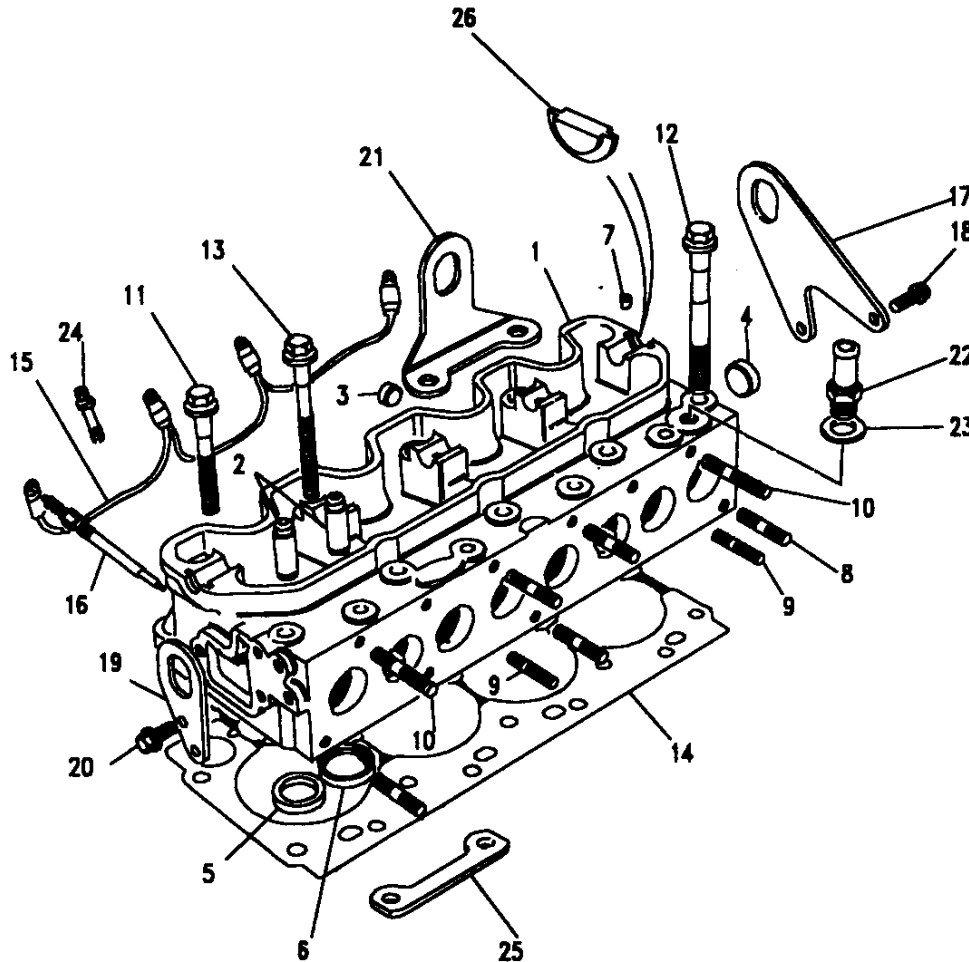
**ENGINE - OIL FILTER - 200 TDI**

III. Part No.	Description	Qty	Remarks
1	ERR2711	1	
	ERR2623	1	
2	ERC5923	1	
3	ERR2241	1	
4	ERC5913	1	Note(1)
5	ETC4021	1	
6	SH106141L	2	
7	WA106041L	2	
8	ETC7398	2	Note(1)
9	ERR3340	1	
10	FS110301L	1	
11	WL110001L	2	
12	ETC5276	1	Note(1)
13	PRC6387	1	
14	NRC8618	2	

Note(1) Part of gasket kit STC363

**Model** RANGE ROVER 1992 onwards  
**Page** BDBMGA1B

**ENGINE - CYLINDER HEAD - 200 TDI**



III. Part No.	Description	Qty	Remarks
1	RTC6896	1	Cylinder head assembly
2	ETC8003	8	Guide valve
3	525497	2	Cup plug
4	524765	1	Cup plug
5	ETC8002	4	Valve seat exhaust
6	ETC8001	4	Valve seat inlet
7	ETC8194	1	Dowel
8	TE110051L	5	Stud M10x25mm
9	TE108051L	2	Stud M8x25mm
10	TE110071L	2	Stud M10x35mm
11	ETC8808	4	Bolt
12	ETC8809	10	Bolt
13	ETC8810	4	Bolt
14	ERR5261	1	Gasket cyl/head 1.3mm
	ERR5262	1	Gasket cyl/head 1.4mm
	ERR5263	1	Gasket cyl/head 1.5mm
15	PRC6947	1	Cable assembly glow plug
	AMR2425	1	Cable assembly glow plug
16	ETC8847	4	Glow plug
17	ETC8036	1	Bracket lifting rear
18	FS108251L	2	Screw M8x25mm
19	ETC8031	1	Bracket lifting front
20	FS108251L	2	Screw M8x25mm
21	ERR978	1	Bracket
22	624091	1	Adaptor hose
23	243959	1	Washer joint
24	ERR1019	4	Stud
25	ERR1536	2	Spacer
26	ERR765	2	Plug rubber

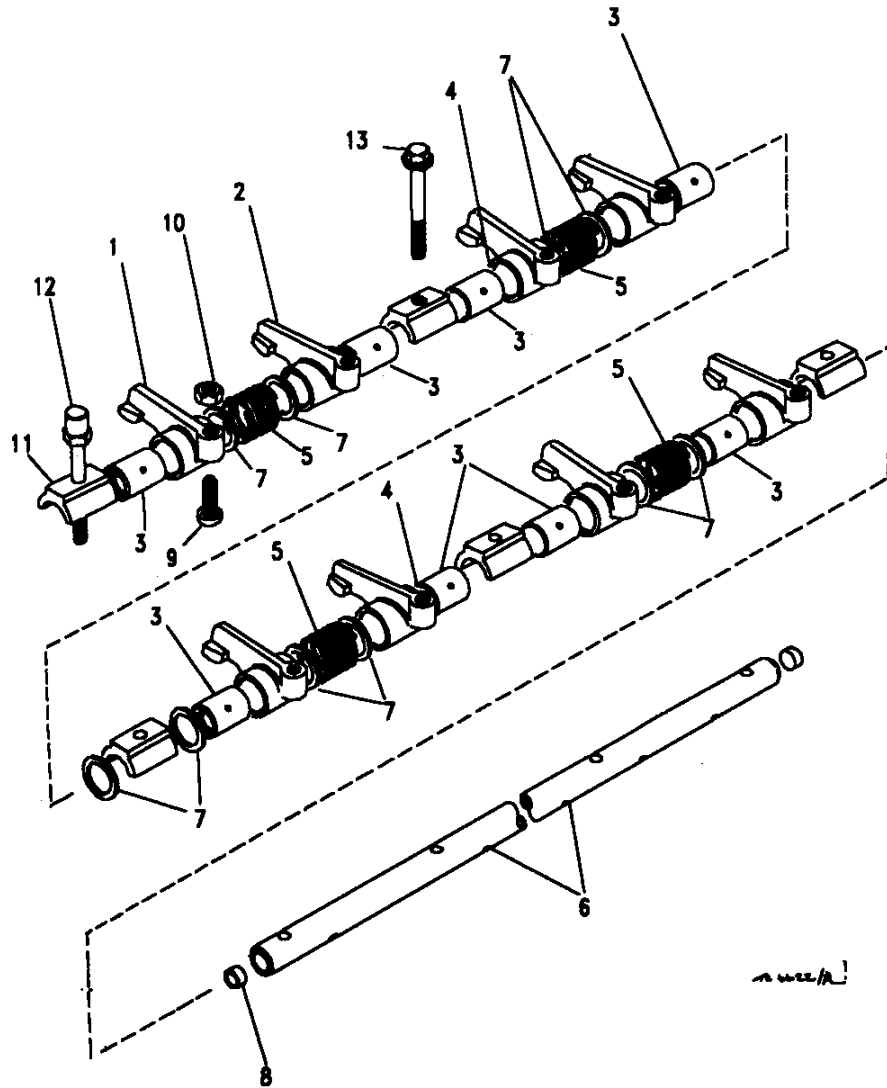
Upto 14L02114A  
 From 14L02115A

Note(1)

Note(1) Part of gasket kit STC363

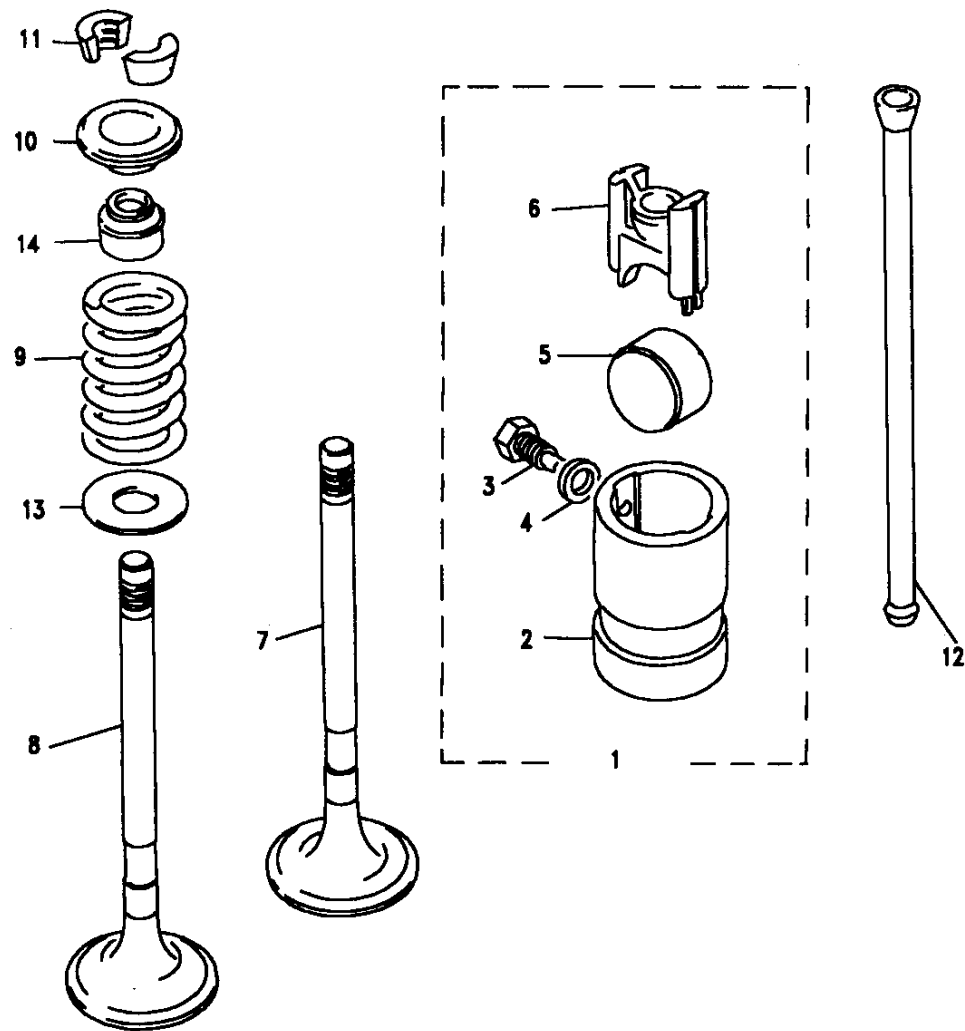
**Model** RANGE ROVER 1992 onwards  
**Page** BDBMGC1A

**ENGINE - ROCKER SHAFT - 200 TDI**



III. Part No.	Description	Qty	Remarks
1	ERR1202	4	Rocker arm assembly RH
2	ERR1201	4	Rocker arm assembly LH
3	ERR1203	1	Bush rocker arm
4	ERR1209	6	Washer
5	ETC8095	4	Spring
6	ERR1197	1	Shaft rocker
	ERR4682	1	Shaft rocker assembly
7	ERR1210	10	Spacer
8	ETC8103	2	Plug
9	ERR559	8	Adjuster tappet
10	ERR560	8	Nut
11	ERR1107	5	Clamp rocker shaft
12	ETC7530	3	Bolt
13	FB108101	2	Bolt





**Model** RANGE ROVER 1992 onwards  
**Page** BDBMGE1A

**ENGINES - VALVES AND TAPPETS - 200 TDI**

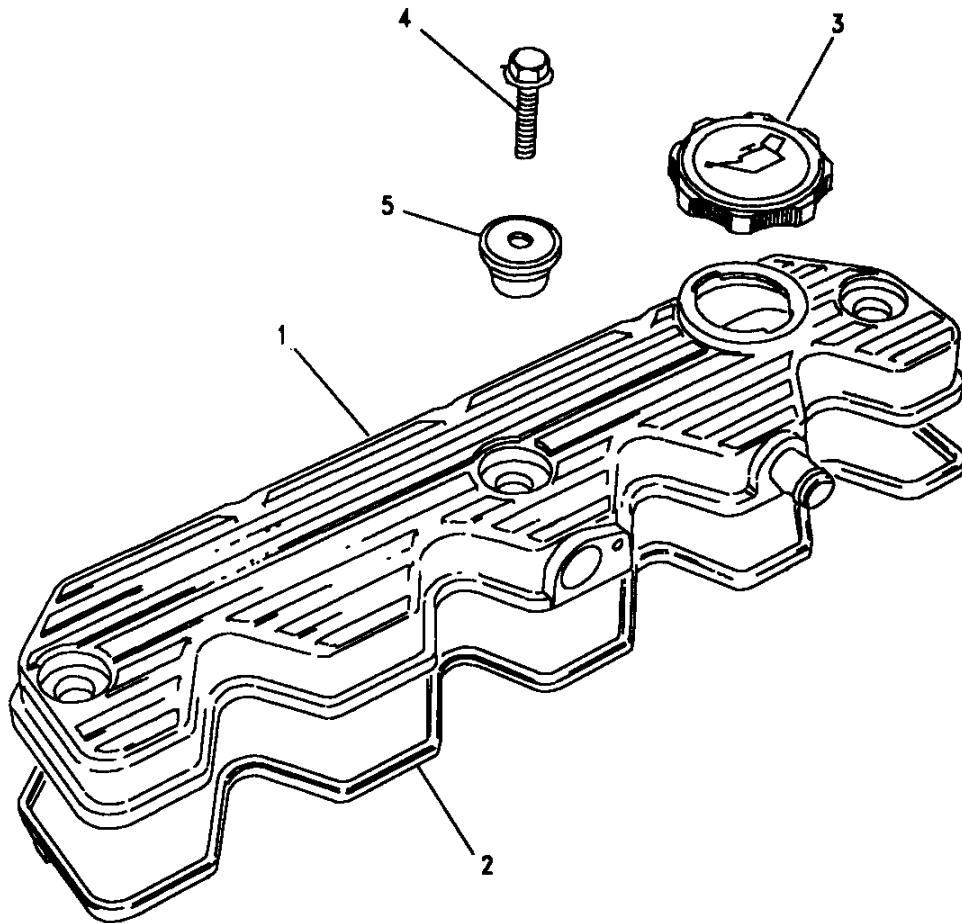
III. Part No.	Description	Qty	Remarks
1	RTC6584	8	
2	502473	8	
3	ETC4246	8	
4	273069	8	
5	ERR561	8	
6	ERR607	8	
7	ERR1157	4	
8	ERR1156	4	
9	ERR4640	8	
10	ETC4068	8	
11	ETC4069	16	
12	546799	8	
13	ETC8193	8	
14	ETC8663	8	Note(1)
	ERR1158	8	Note(2)

Note(1)  
Note(2)

Part of gasket kit STC362  
Can be fitted if valve stem or rockers show signs of wear.

**Model** RANGE ROVER 1992 onwards  
**Page** BDBMGG1B

**ENGINE - ROCKER COVER - 200 TDI**



III. Part No.	Description	Qty	Remarks
1 ERR3368	Rocker cover	1	
ERR3276	Rocker cover-Noise/Insul	1	
2 ERR2393	Gasket rocker cover	1	
3 ERR2529	Cap oil filler	1	
ERR5041	Cap oil filler	1	From Jan 94
4 FB106071	Bolt	3	
5 ERR663	Washer sealing	3	Note(1)

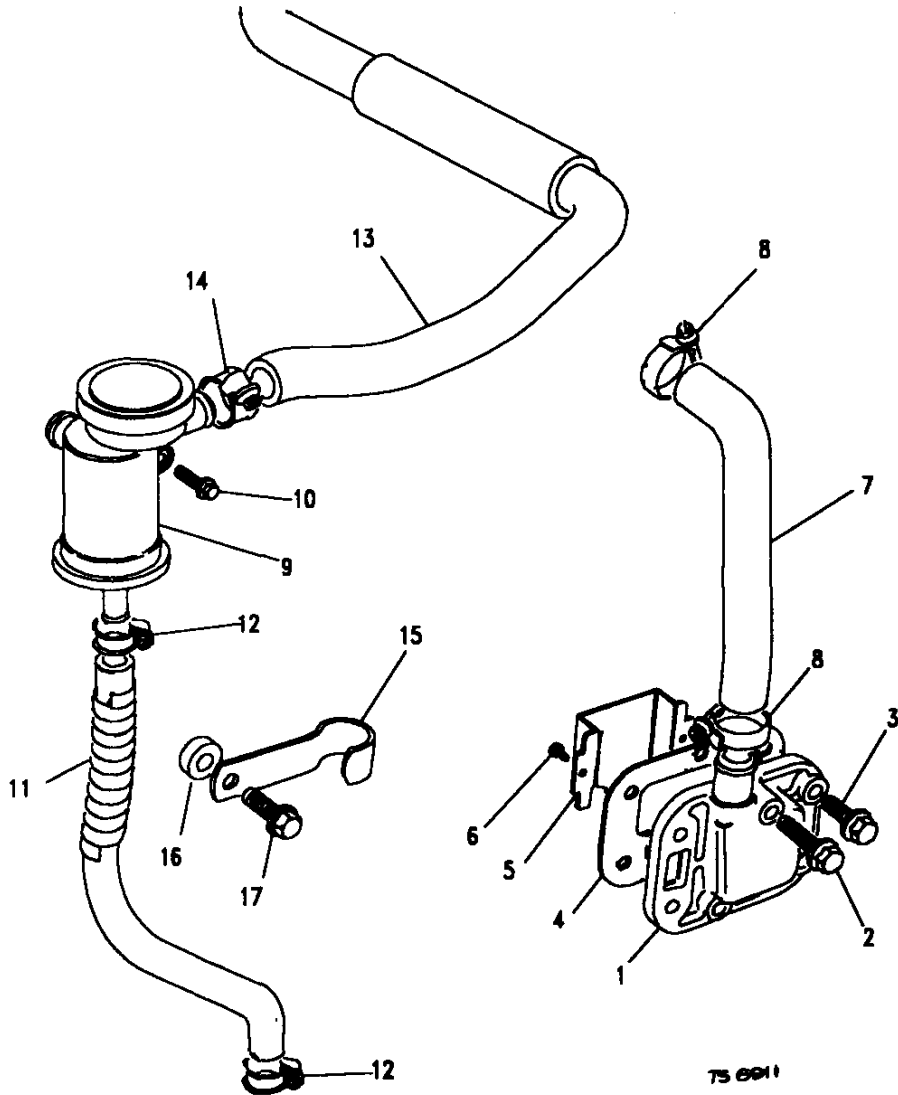
Note(1) Part of gasket kit STC362

**Model** RANGE ROVER 1992 onwards  
**Page** BDBMGG2B

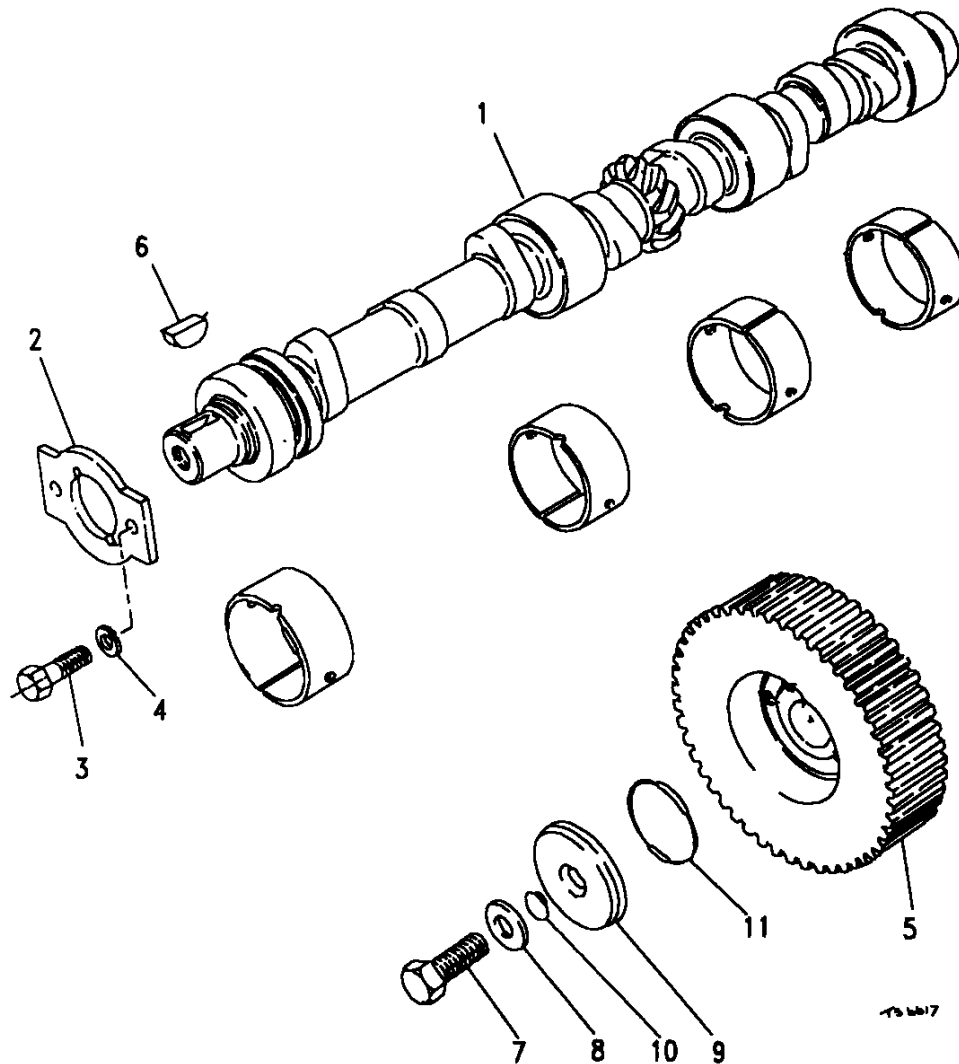
**ENGINE - CYCLONE BREATHER ASSEMBLY - 200 TDI**

III. Part No.	Description	Qty	Remarks
1 541010	Plate cover	1	
2 FB108081L	Bolt flanged	1	
3 FS108251L	Screw M8x25mm	5	
4 247555	Gasket	1	
5 ERR874	Baffle plate	1	Note(1)
6 79026	Screw	2	Note(1)
7 ERR877	Hose	1	Note(1)
8 CN100258L	Clip	2	Note(1)
9 ERR1471	Breather	1	
10 FB106121L	Screw M6x60mm	2	
11 ERR1605	Hose oil drain	1	
12 CN100208L	Clip hose	2	
13 ERR3381	Hose	1	
14 CN100258L	Clip hose	2	
15 ERR882	Gasket	1	
16 ERR878	Clip hose	1	
17 ERR879	Spacer	1	
18 SH110201L	Screw M10x20mm	1	

Note(1) Not used on ERR3368 rocker cover without breather side plate



75 6911

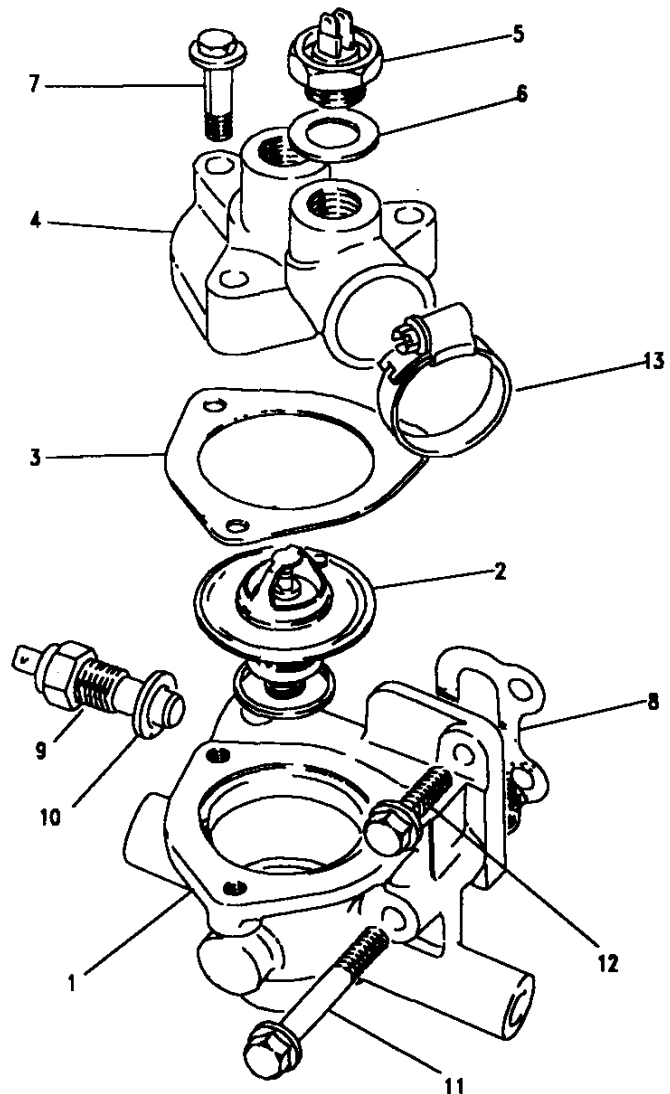


**Model** RANGE ROVER 1992 onwards  
**Page** BDBMG11A

**ENGINE - CAMSHAFT - 200 TDI**

Ill. Part No.	Description	Qty	Remarks
1	ETC7128 Camshaft	1	
2	ERC1561 Plate thrust camshaft	1	
3	FS106167L Screw	2	
4	WL106001L Washer	2	
5	ERR666 Pulley timing belt	1	
6	230313 Key	1	
7	BX110071L Bolt	1	
8	ETC4670 Washer	1	
9	ERC8847 Plate retaining	1	
10	ERC8849 O ring	1	Note(1)
11	ETC4076 O ring	1	Note(1)

Note(1) Part of gasket kit STC363



**Model** RANGE ROVER 1992 onwards  
**Page** BDBMGK1A

**ENGINE - THERMOSTAT HOUSING - 200 TDI**

III. Part No.	Description	Qty	Remarks
1 ERR492	Housing thermostat	1	
ERR630	Housing thermostat	1	Switzerland
2 ERR2803	Thermostat 88o	1	
3 ERR977	Gasket thermostat	1	Note(1)
4 ERR809	Outlet elbow	1	AIR CON
ETC5967	Outlet elbow	1	NON AIR CON
5 PRC3359	Switch temperature	1	
ERR338	Switch temperature	1	Switzerland
6 ERR696	Washer copper	1	Note(1)
7 FB106081L	Bolt M6x40mm	3	
8 ETC8007	Gasket	1	Note(1)
9 AMR1712	Transmitter temperature	1	
10 AFU1890L	Washer joint	1	Note(1)
11 FB108121L	Bolt M8x60mm	2	
12 FS108251L	Screw M8x25mm	1	
13 CJ600304L	Clip hose	1	

Note(1) Part of gasket kit STC362

**Model** RANGE ROVER 1992 onwards  
**Page** BDBMHA1B

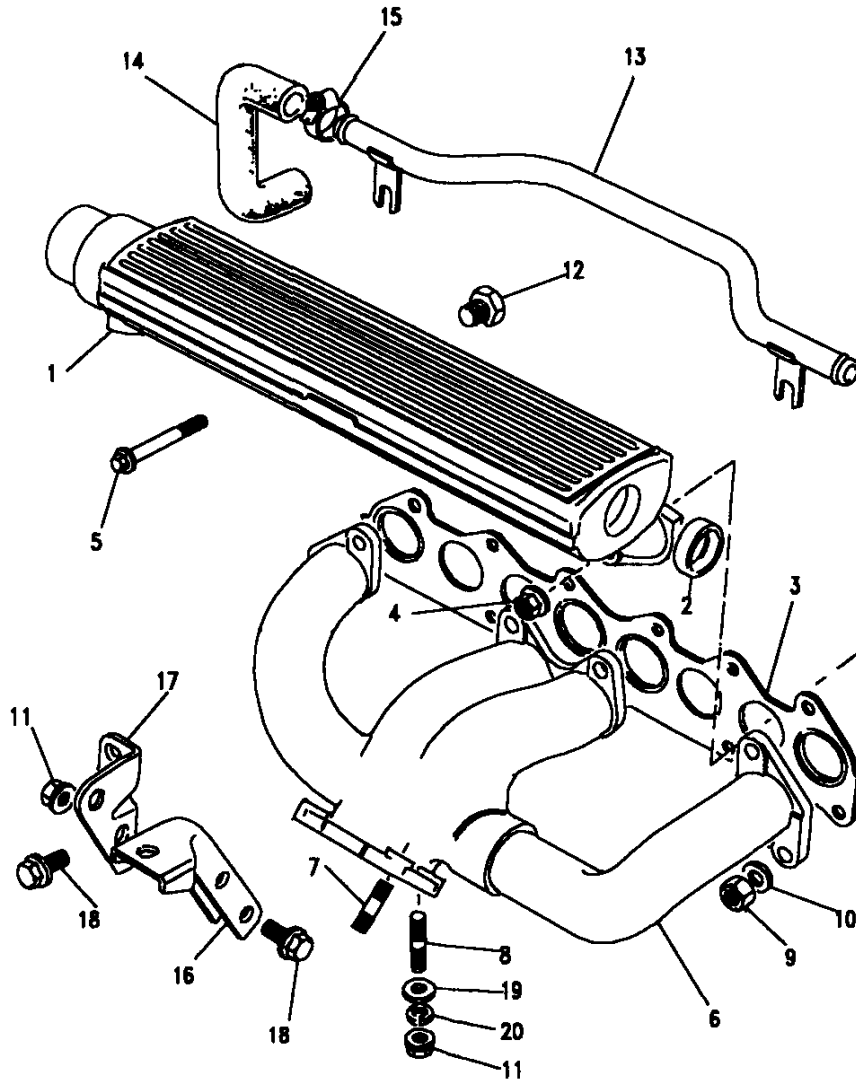
**ENGINE - MANIFOLDS - 200 TDI**

III. Part No.	Description	Qty	Remarks
1	ERR250	1	
	ERR537	1	Switzerland
2	524765	1	
3	ERR1208	1	Note(1)
4	FN108041L	2	
5	FB108181	2	
6	ERR789	1	
	ERR788	1	Switzerland
7	ETC7667	4	
8	TE108061L	1	
9	ERR597	7	
10	WA110061L	11	
11	FN108041L	3	
12	ETC5577	1	
13	ERR371	1	
14	ERR372	1	
15	CN100258L	2	

**Manifold Support.**

16	ERR1004	1	Bracket support
17	ERR545	1	Bracket support
18	FS108201L	4	Screw
19	WA108051L	1	Washer plain
20	WL108001L	1	Washer spring

Note(1) Part of gasket kit STC362

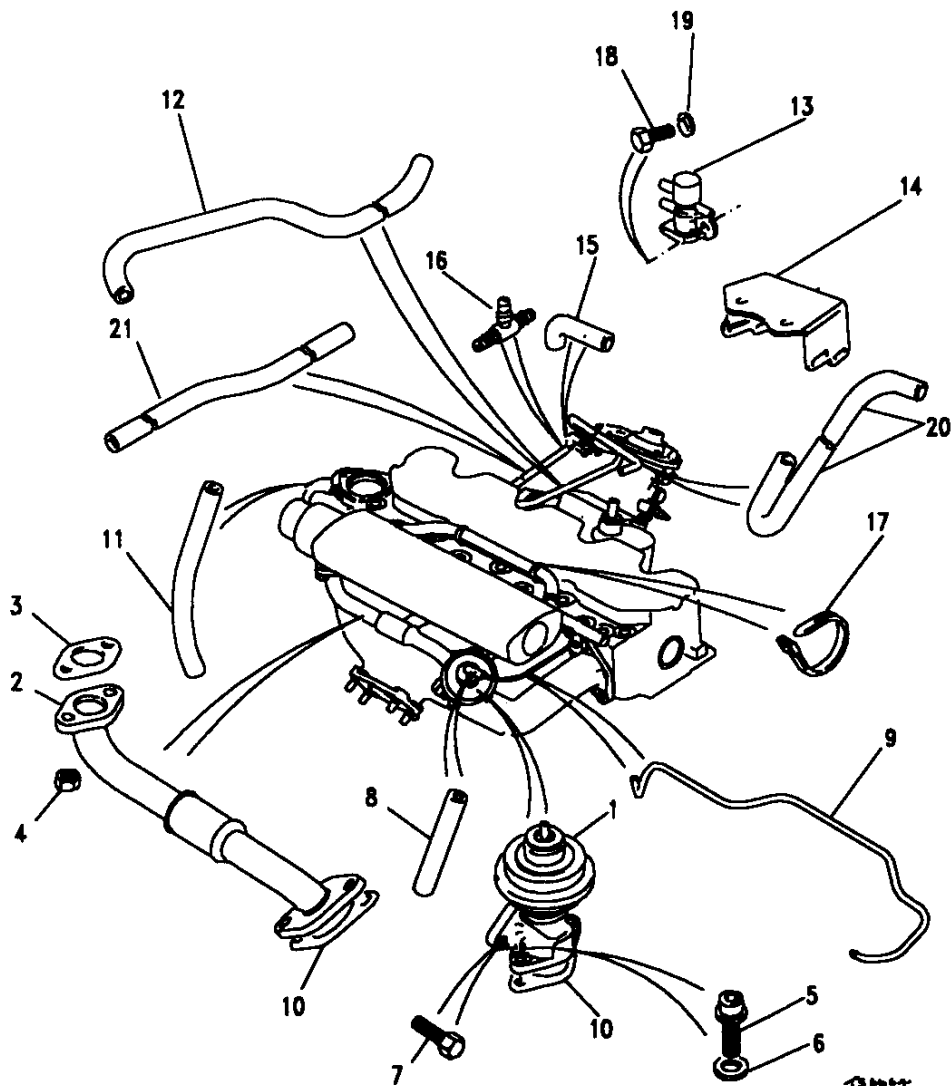


**Model** RANGE ROVER 1992 onwards  
**Page** BDBMHE1A

**ENGINE - EXHAUST GAS RECIRCULATION - 200 TDI**

III. Part No.	Description	Qty	Remarks
1	ERR296	1	Valve
2	ERR297	1	Tube
3	ERR657	1	Gasket
4	FN108045	2	Nut
5	SS108201	2	Screw M8x20mm
6	WA108055L	2	Washer plain
7	FS108205	2	Screw M8x20m
8	ERR1550	1	Hose vacuum
9	ERR690	1	Pipe
10	ERR542	2	Gasket
11	ETC7313	1	Hose 6" Note(1)
12	ETC7329	1	Hose 25" Note(1)
13	ERR355	2	Valve
14	ERR2386	1	Bracket
15	ETC7313	1	Hose 3" Note(1)
16	ERR1549	1	Tee piece

Note(1) Hoses supplied in two standard lengths,13"and 34"



**Model** RANGE ROVER 1992 onwards  
**Page** BDBMHE1A

**ENGINE - EXHAUST GAS RECIRCULATION - 200 TDI**

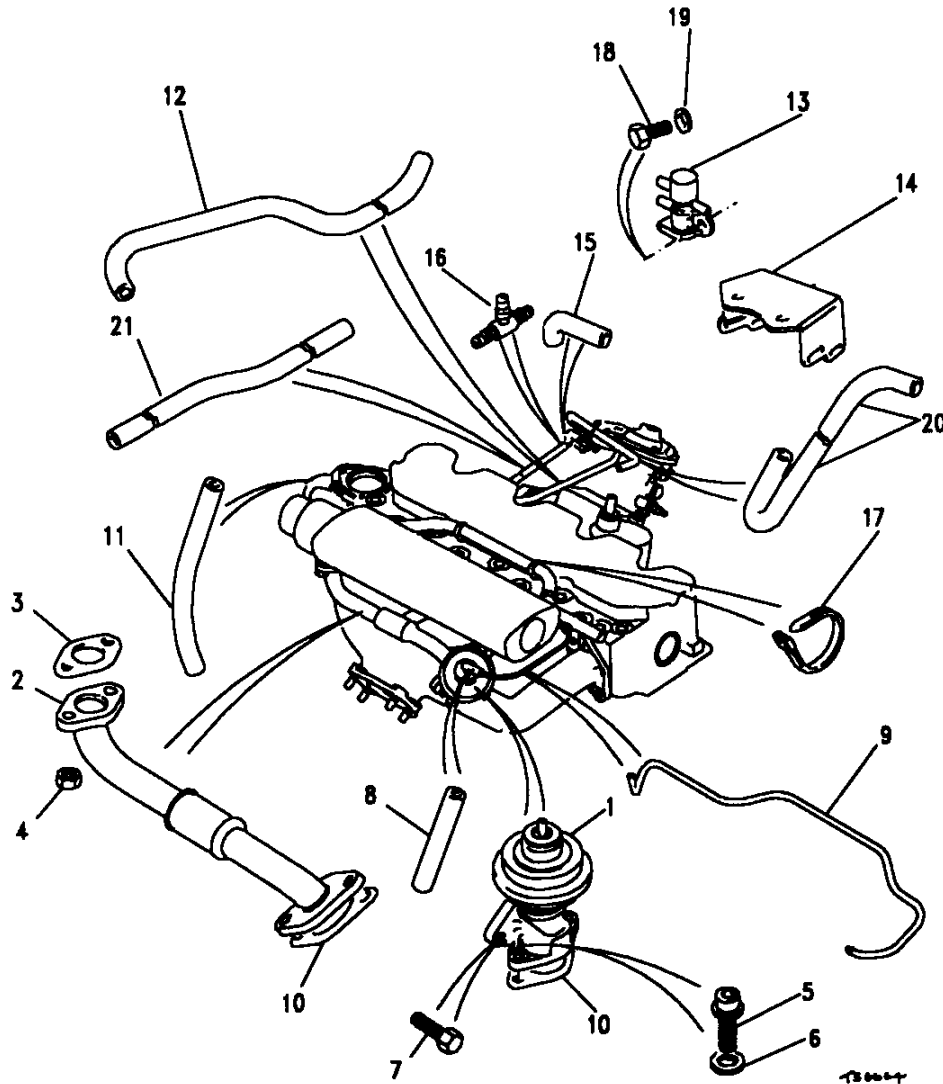
III. Part No.	Description	Qty	Remarks
17	573246 Strap	3	
18	SH105161L Screw M5x16mm	2	
19	WA105001L Washer	2	
20	ETC7329 Hose 18"	1	Note(1)
21	ETC7329 Hose 34"	1	Note(1)
	ERR1548 Connector	3	
	ERR1132 Hose vacuum 50mm	1	
	ERR1133 Hose vacuum 70mm	3	
	ERR1134 Hose vacuum 152mm	1	
	568680 Cleat	1	
	ERR1986 Pipe-EGR to SOLENOID	1	)
	PRC9146 Solenoid	1	
	ERR2381 Bracket-SOLENOID	1	) Note(2)
	ERR2354 Hose-SOLENOID to ERR1986	1	
	ERR2443 Hose-SOLENOID-del/valve	1	)
	AFU1158 Clip swivel	1	

Note(1)

Hoses supplied in two standard lengths, 13" and 34"

Note(2)

AUSTRIAN market only with ELECTRONIC E.G.R. SYSTEM



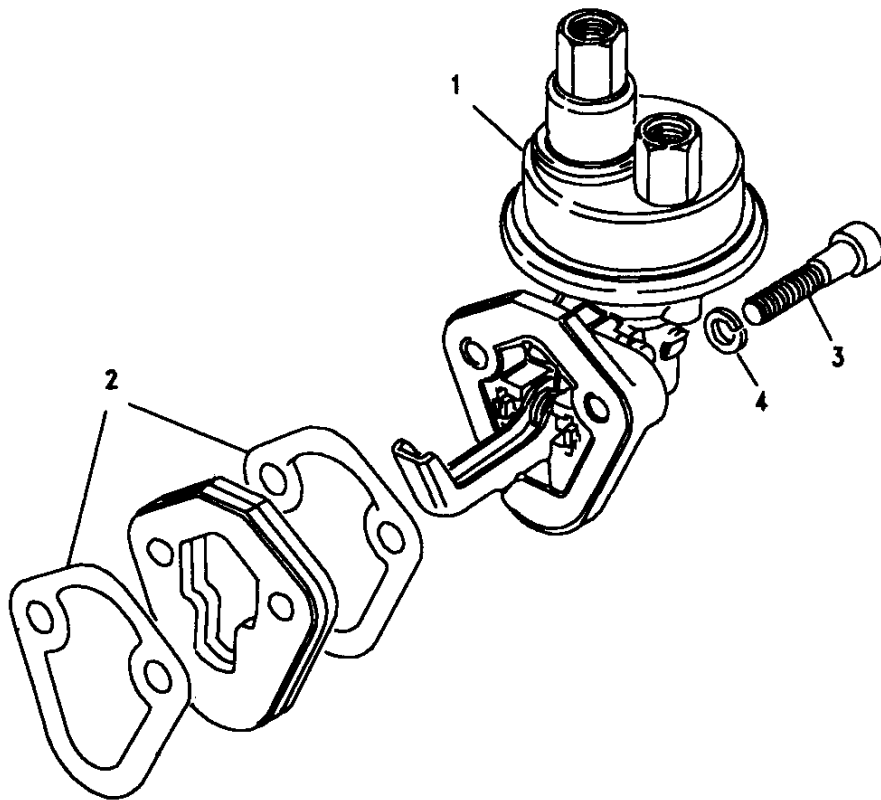


**Model** RANGE ROVER 1992 onwards  
**Page** BDBMKA1A

**ENGINE - FUEL PUMP - 200 TDI**

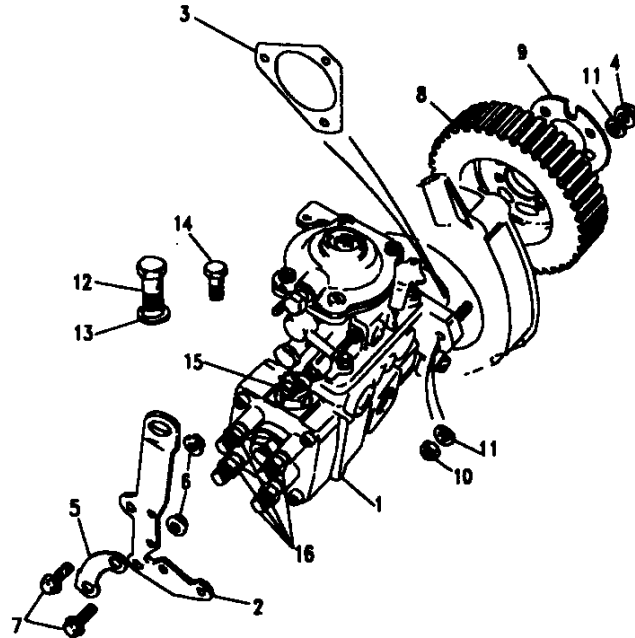
III. Part No.	Description	Qty	Remarks
1 ETC7869	Pump fuel	1	
2 ETC7970	Gasket fuel pump	2	Note(1)
ERR2028	Gasket fuel pump	2	From Jan 94
3 SS108301L	Screw	2	
4 WA108051L	Washer	2	

Note(1) Part of gasket kit STC363



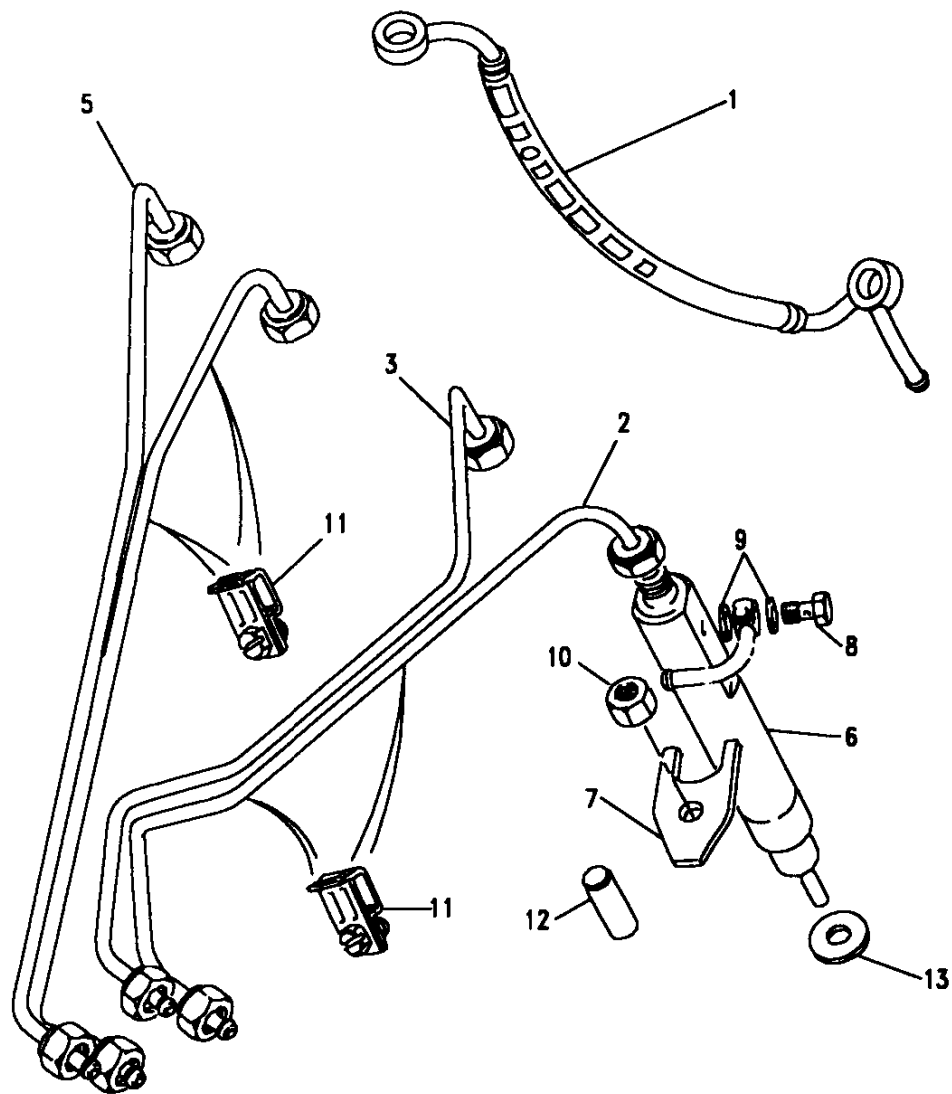
**Model** RANGE ROVER 1992 onwards  
**Page** BDBMK1A

**ENGINE - INJECTION PUMP - 200 TDI**



III. Part No.	Description	Qty	Remarks
1	ERR459 ERR1985	1	Pump injection Pump injection
2		1	Bracket
3	ERR631	1	Gasket pump
4	FN108041L	2	Nut
5	ERR1061	1	Bracket
6	FN108041L	2	Nut
7	FS108201L	2	Screw M8x20mm
8	ERR667	1	Pulley injection pump
9	ERR359	1	Plate retaining
10	FN108041L	3	Nut
11	WA108051L	6	Washer
12	ERR886	1	Bolt banjo-boost capsule
13	ERR894	2	Washer copper
14	ERR885	1	Bolt banjo-fuel inlet
15	RTC6702	1	Switch cut off
16	STC262	4	Adaptor pump

Note(1) AUSTRIAN market only with ELECTRONIC E.G.R. SYSTEM  
 Note(2) Not Stocked Separately-Part of pump assembly  
 Note(3) Part of gasket kit STC363



**Model** RANGE ROVER 1992 onwards  
**Page** BDBMKE1A

**ENGINE - INJECTORS AND PIPES - 200 TDI**

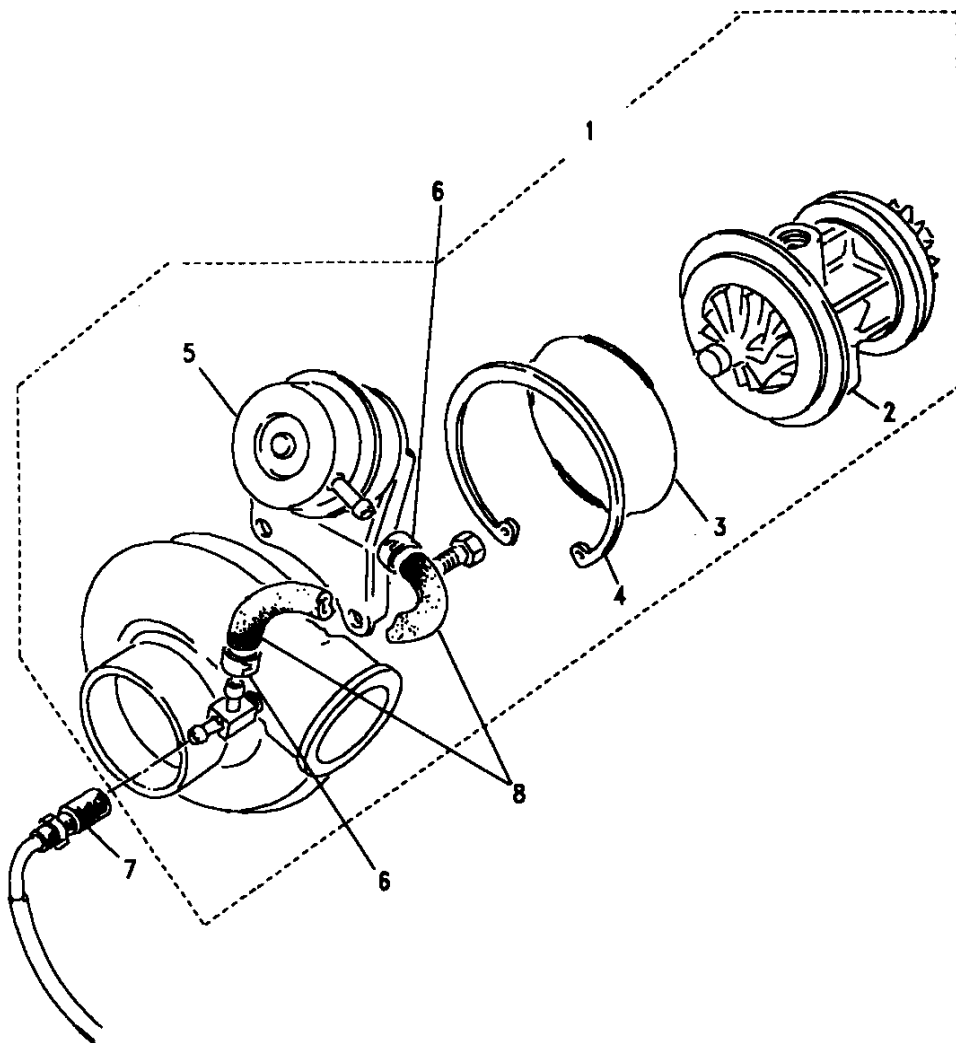
III. Part No.	Description	Qty	Remarks
1 ERR3651	Spill rail	1	
2 RTC6732	Pipe injector number 1	1	
3 RTC6733	Pipe injector number 2	1	
4 RTC6734	Pipe injector number 3	1	
5 RTC6735	Pipe injector number 4	1	
6 ETC8412	Injector	4	
7 ETC8197	Clamp injector	4	
8 ERR1200	Bolt banjo	4	
9 ERR1304	Washer copper	4	Note(1)
10 FN108041L	Nut	1	
11 AEU2129L	Clip	4	
12 ETC8470	Dowel	4	
13 ERR4621	Washer sealing	1	Note(1)

Note(1) Part of gasket kit STC362

Model RANGE ROVER 1992 onwards

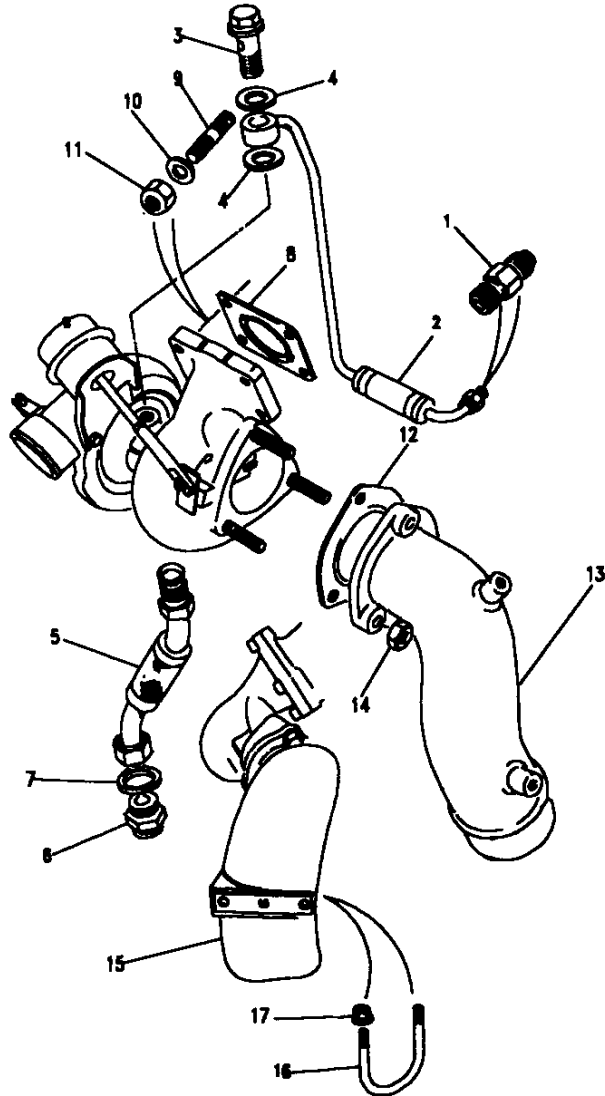
Page BDBMLA1A

ENGINE - TURBO CHARGER - 200 TDI



III. Part No.	Description	Qty	Remarks
1	ETC7461 Turbo charger	1	
	ETC7461E Turbo charger-exchange	1	
2	RTC6535 Rotating assembly	1	
3	RTC6536 O ring	1	Note(1)
4	RTC6537 Snap ring	1	
5	RTC6538 Actuator	1	
6	UKC3803L Clamp	2	
7	ERR4029 Pipe-turbo/inj/pump	1	
8	RTC6539 Hose	1	

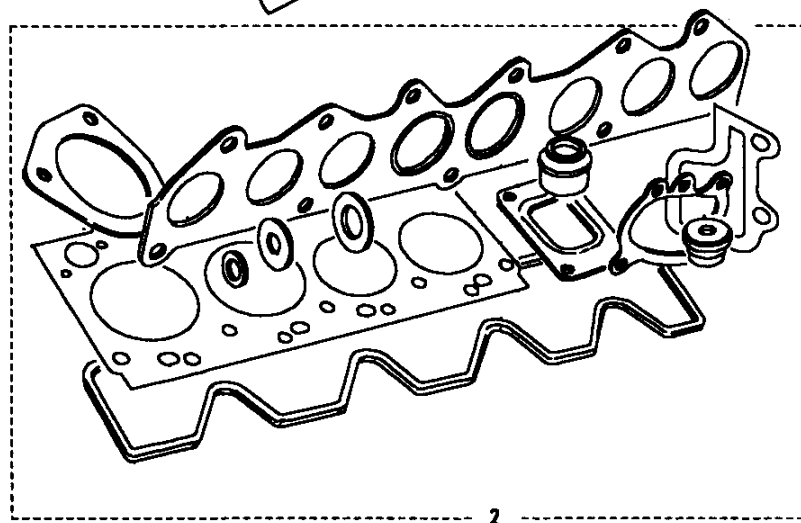
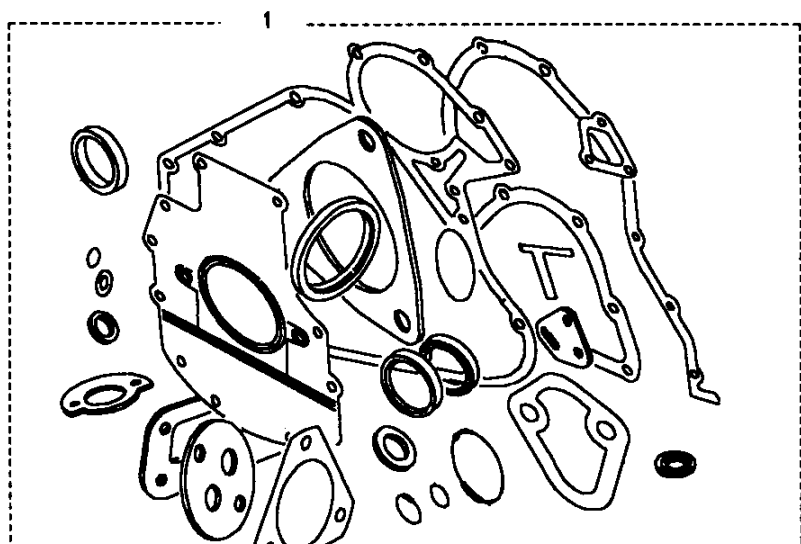
Note(1) Part of gasket kit STC362



**Model** RANGE ROVER 1992 onwards  
**Page** BDBMLA2A

**ENGINE - TURBO CHARGER/ ADAPTORS - 200 TDI**

Ill. Part No.	Description	Qty	Remarks
<b>Oil Feed</b>			
1	ETC8820 Adaptor pipe	1	
2	ERR816 Pipe	1	UptoJAN1993
	ERR3493 Pipe	1	FromJAN1993
3	ERR1125 Bolt banjo	1	
4	FRC4808 Washer sealing	1	
5	ETC7463 Pipe	1	UptoJAN1993
	ERR3492 Pipe	1	FromJAN1993
6	ERR335 Adaptor pipe	1	
7	ERR896 Washer sealing	1	
<b>Turbo To Exhaust Manifold</b>			
8	ETC7514 Gasket	1	
9	ERR551 Stud	2	
10	WA108051L Washer	4	
11	ETC7184 Nut	4	
<b>Turbo To Downpipe</b>			
12	ESR3260 Gasket exhaust	1	
13	ERR1295 Downpipe	1	
14	ERR597 Nut	3	
<b>Heatshield</b>			
15	ERR1293 Heatshield turbocharger	1	
16	STC313 U bolt	1	
17	ETC7184 Nut	2	



**Model** RANGE ROVER 1992 onwards  
**Page** BDBMMA1A

**ENGINE - GASKET KIT - 200 TDI**

III. Part No.	Description	Qty	Remarks
STC363	Kit gasket overhaul	1	
STC1172	Kit gasket decarbonising	1	Note(1)

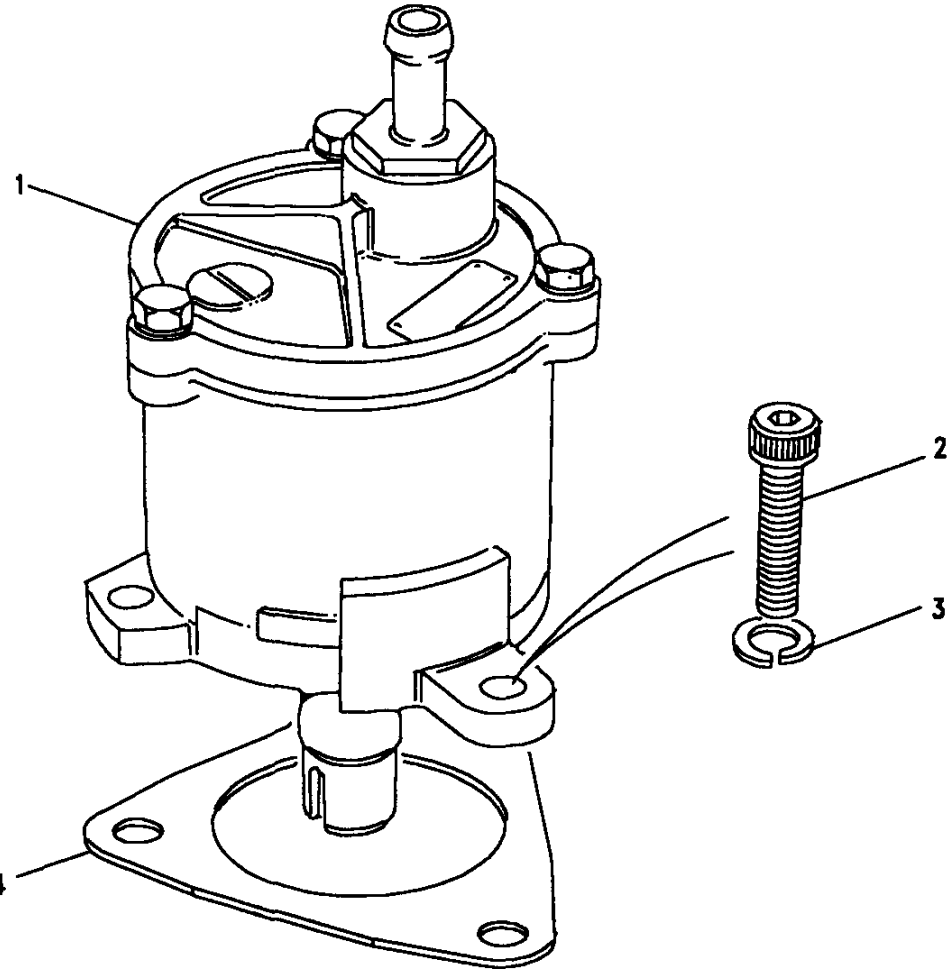
Note(1) Does not include cylinder head gaskets.

**Model** RANGE ROVER 1992 onwards  
**Page** BDBMNA1A

**ENGINE - VACUUM PUMP - 200 TDI**

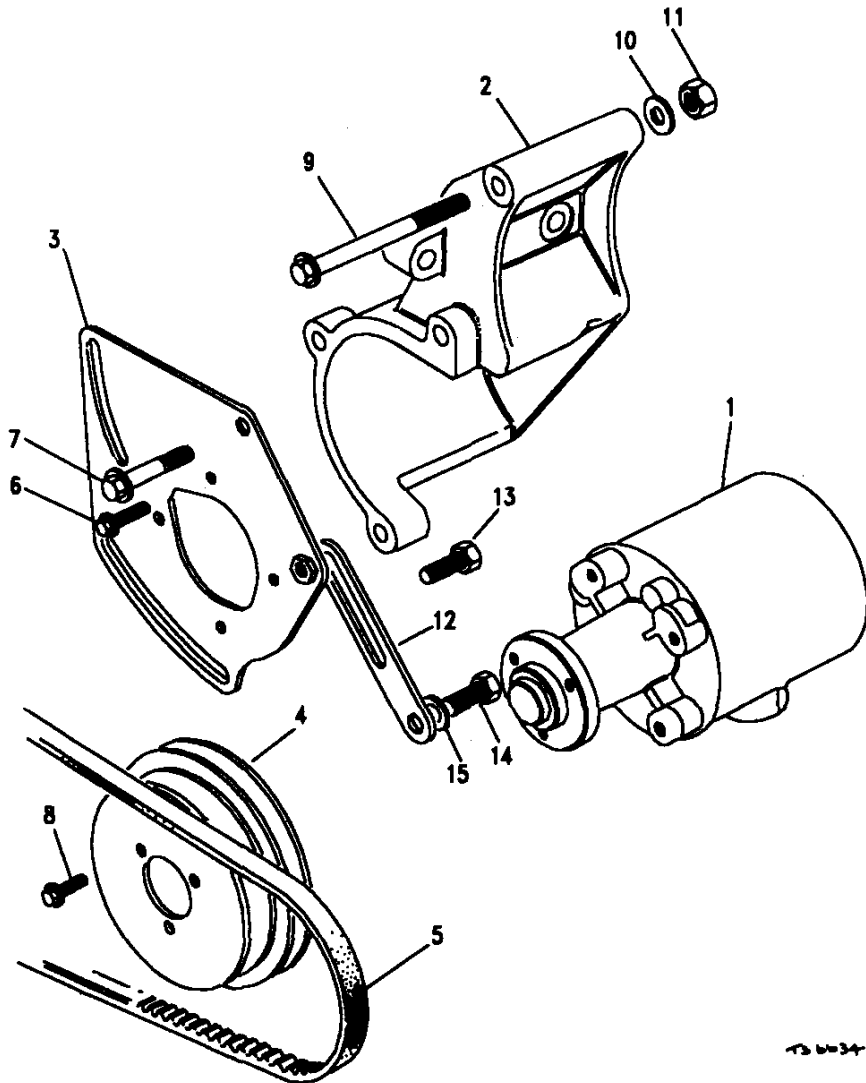
Ill. Part No.	Description	Qty	Remarks
1	ERR535	1	Pump Vacuum
2	SS108251L	3	Bolt M8x25mm
3	WM600051L	3	Washer
4	ETC4616	1	Gasket

Note(1) Part of gasket kit STC363



**Model** RANGE ROVER 1992 onwards  
**Page** BDBMNC1A

**ENGINE - POWER STEERING PUMP 200 TDI**



III. Part No.	Description	Qty	Remarks
1	NTC8288	1	Pump power steering
2	ERR1115	1	Bracket mounting
3	ERR1174	1	Plate mounting
4	ETC7528	1	Pulley pump
5	ERR810	1	Belt drive
6	FS106167	4	Screw
7	FS108201L	3	Screw M8x20mm
8	FS106167	3	Screw
9	FB108251	1	Bolt M8x125mm
10	WA108051L	2	Washer
11	NY108051L	1	Nut
12	ERR1173	1	Link adjusting
13	FS108301L	1	Bolt
14	FS108201L	1	Screw M8x20mm
15	WA108051L	1	Washer
	TE108041L	2	Stud
	FN108041L	2	Nut

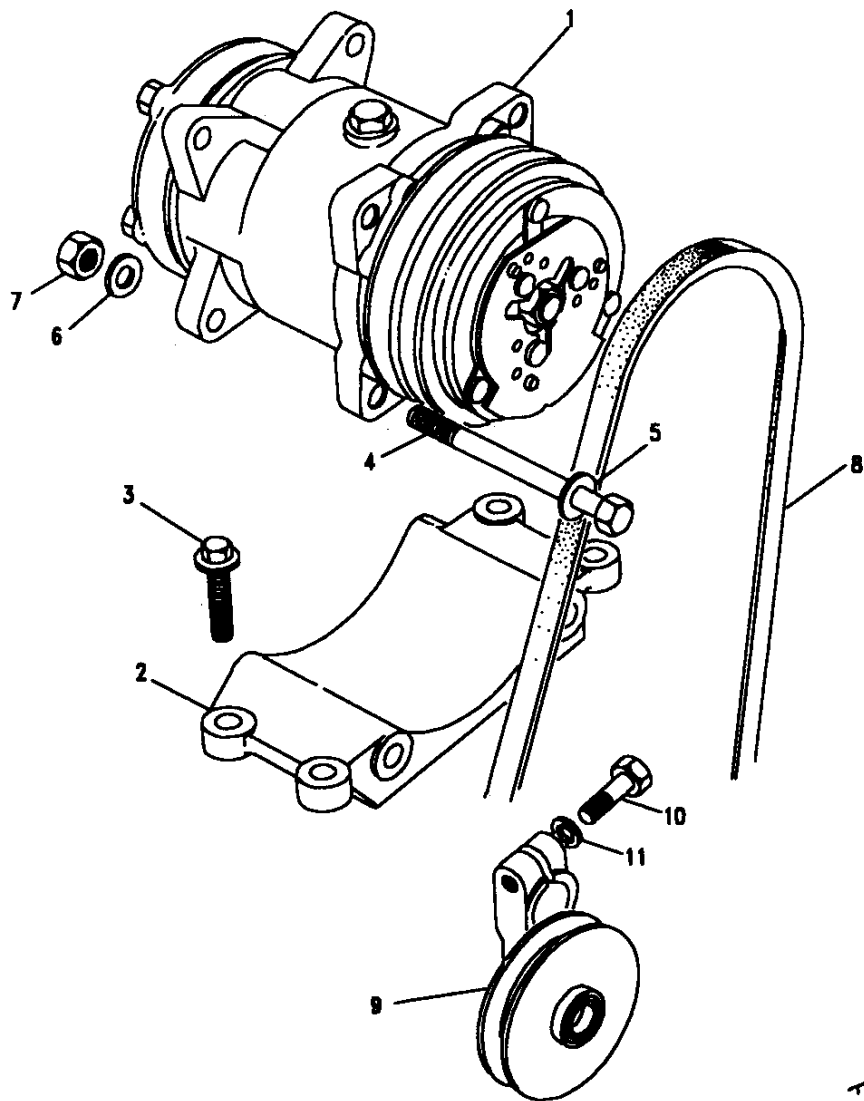
73 0034



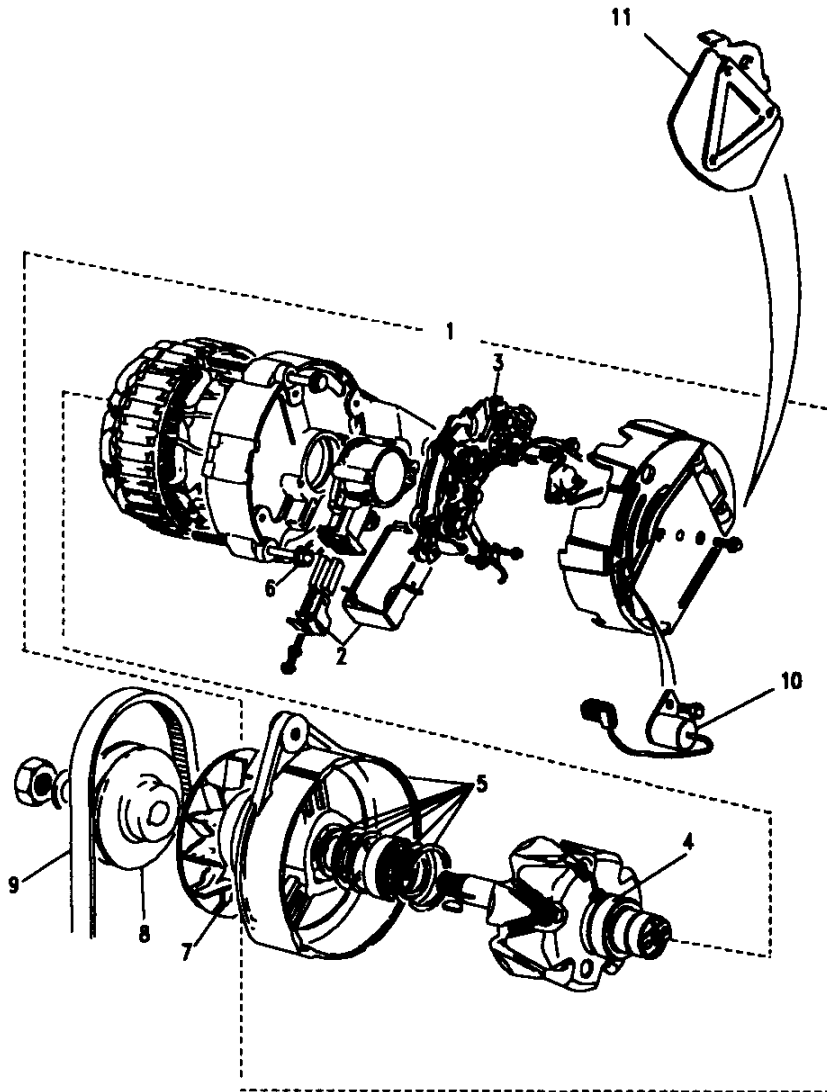
**Model** RANGE ROVER 1992 onwards  
**Page** BDBMNE1A

**ENGINE - COMPRESSOR - 200 TDI**

III. Part No.	Description	Qty	Remarks
1	ERR845	1	Compressor
2	ETC8852	1	Bracket mounting
3	FS110301L	4	Screw
4	BH606401L	2	Bolt
5	WM600061L	2	Washer
6	WA110061L	4	Washer
7	NH606041L	2	Nut
8	ETC9009	1	Belt drive
9	614718	1	Pulley tensioner
10	BH605101L	1	Bolt
11	WM600051L	1	Washer



736699

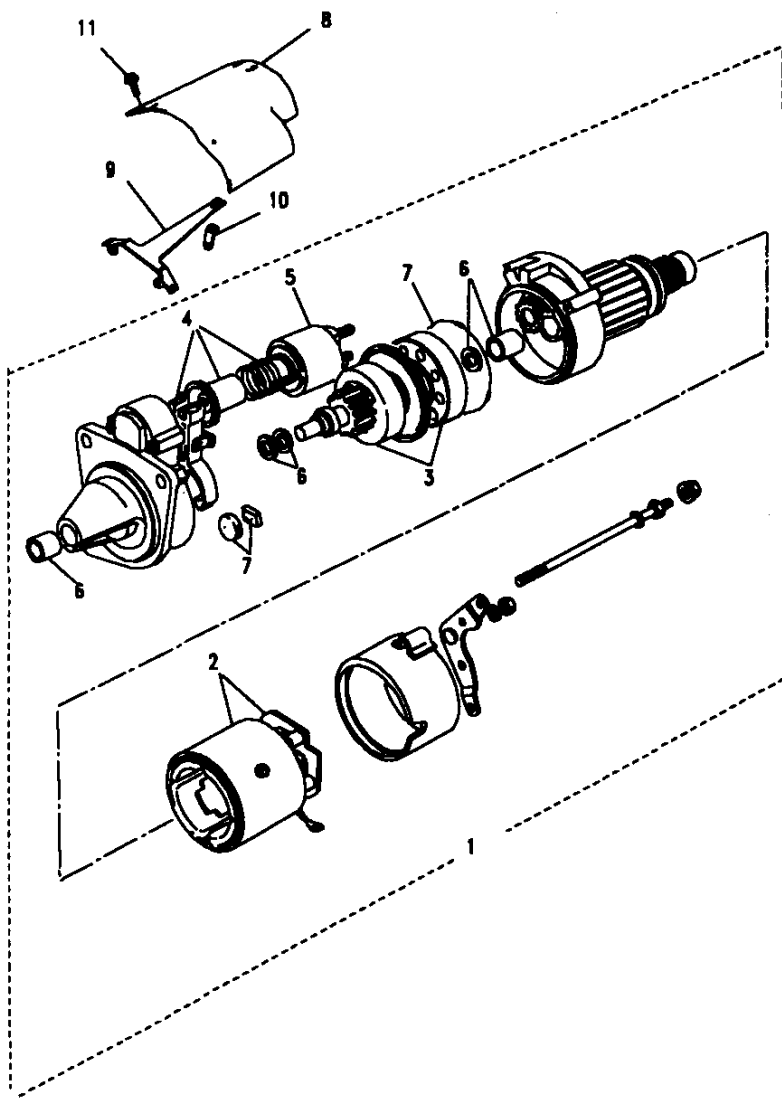


**Model** RANGE ROVER 1992 onwards  
**Page** BDBMPC1A

**ENGINE - ALTERNATOR - 200 TDI**

III. Part No.	Description	Qty	Remarks
1	STC233	1	Note(1)
	RTC5681E	1	
2	RTC5370	1	
3	RTC5671	1	
4	RTC5926	1	
5	RTC5688	1	
6	RTC5925	1	
7	AAU2249L	1	
8	RTC5847	1	
9	ETC7469	1	
10	RTC6114	1	
	RTC5689	1	
<b>Alternator Heatshield</b>			
11	UAM7498L	1	
	NH105041L	1	

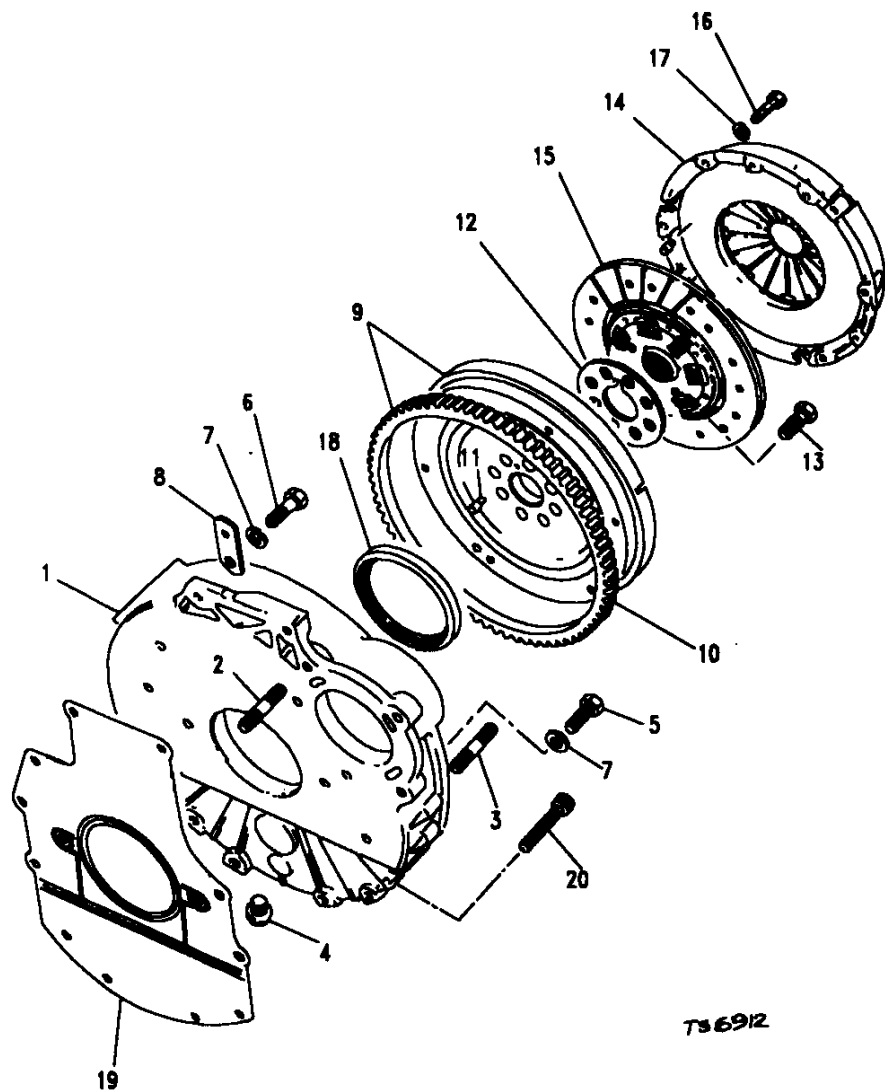
Note(1) LUCAS number 24221



**Model** RANGE ROVER 1992 onwards  
**Page** BDBMPE1A

**ENGINE - STARTER MOTOR - 200 TDI**

III. Part No.	Description	Qty	Remarks
1 NAD10039	Starter Motor	1	
2 STC1246	Brush set	1	
3 STC1254	Spring compression	4	
4 STC1247	Guide brush	4	
5 STC1244	Drive assembly	1	
6 STC1245	Solenoid	1	
7 STC1250	Bush	2	
8 STC1251	Bush	1	
9 STC1255	Bush	1	
<b>Starter Heatshield</b>			
10 ERR3451	Heatshield starter motor	1	
11 ERR3452	Bracket	1	
12 ERR3453	Bracket	1	
13 FS105107	Screw	4	
<b>Starter To Flywheel Housing</b>			
FS110301L	Screw	1	
FN110041L	Nut flanged	2	
WL110001L	Washer	3	
BH110091L	Bolt	1	



TS 6912

**Model** RANGE ROVER 1992 onwards

**Page** BDBMRA1B

**ENGINE - FLYWHEEL AND CLUTCH - 200TDI**

III. Part No.	Description	Qty	Remarks
1	ERR675	1	Up to 80160A
	ERR3922	1	From 80161A
2	TE110061L	9	
3	ERC9240	1	
4	ERC7295	1	
<b>Sound insulation</b>			
	FTC2823	1	Cover insul/upper
	FTC2824	1	Cover insul/lower
<b>Housing to block</b>			
5	FS110301L	6	Screw
6	BH110091L	2	Bolt
7	WA110061L	8	Washer
8	ERC9404	2	Bracket

**Model** RANGE ROVER 1992 onwards  
**Page** BDBMRA1B

**ENGINE - FLYWHEEL AND CLUTCH - 200TDI**

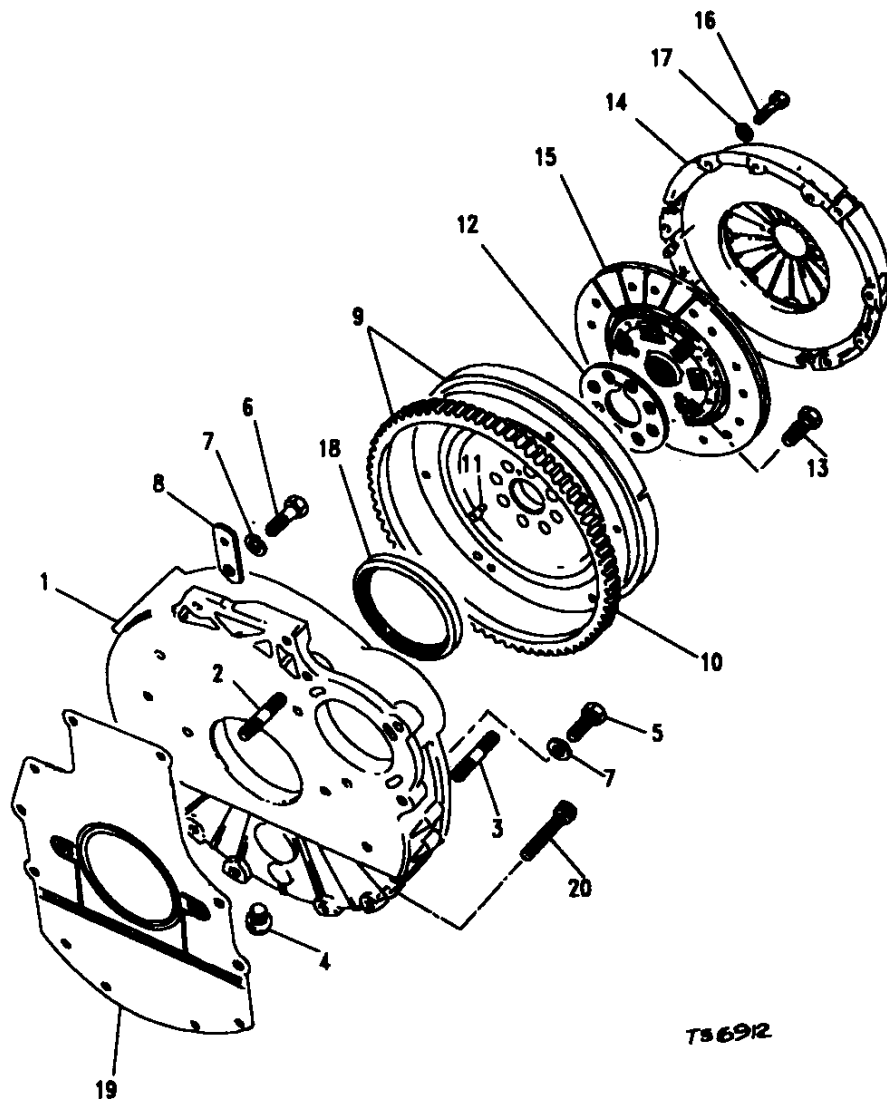
III. Part No.	Description	Qty	Remarks
<b>Flywheel and clutch</b>			
9	ERR719	1	
10	568431	1	
11	502116	3	
12	ERC4658	1	Note(2)
13	ERC6551	8	Note(2)
	ERR4574	8	Note(2)
14	FTC575	1	
15	FTC2149	1	
	STC8358	1	
16	SX108201L	6	
17	WL108001L	6	
18	ERR2532	1	Note(1)
19	ERR1440	1	Note(1)
20	SS110801	4	

Note(1)

Up to Part of gasket kit STC363

Note(2)

Plate deleted from june 93,if plate not fitted use bolt ERR4574



T56912

MASTER INDEX

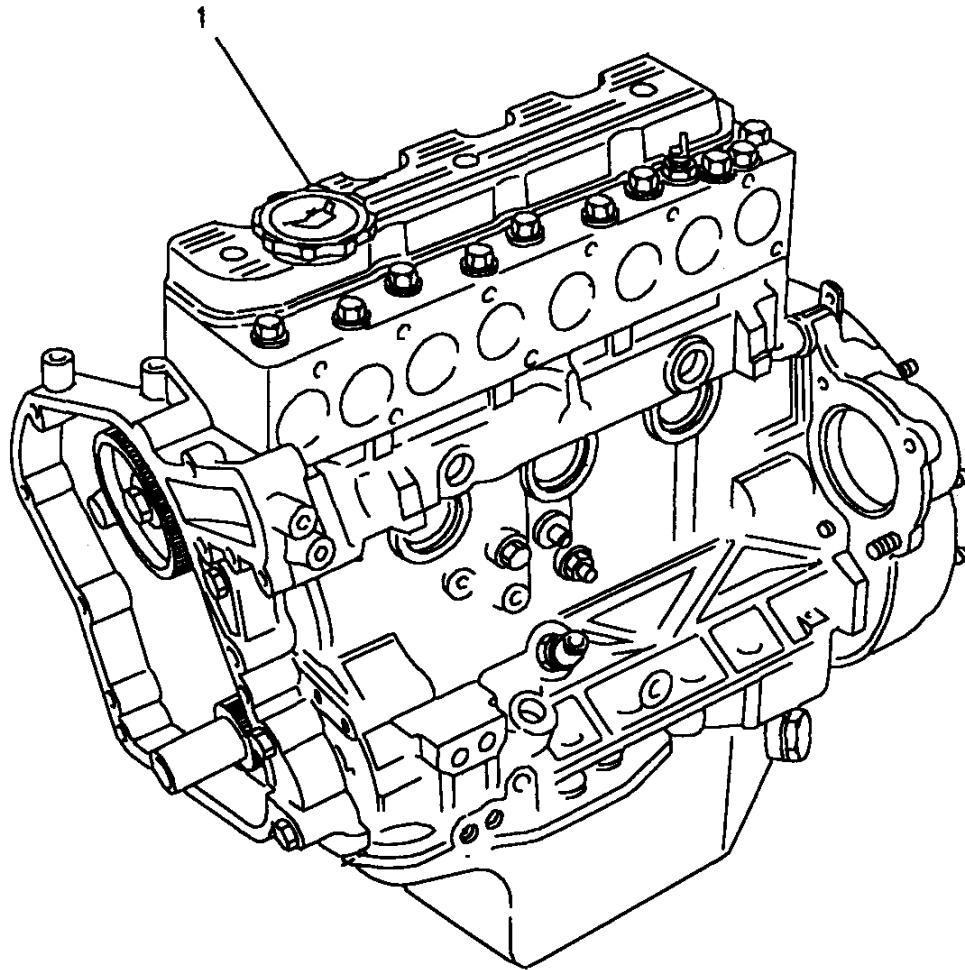
	PAGES
INTRODUCTION PAGES	1 - 3
ALPHABETICAL INDEX	4 - 9
ENGINE	10 - 50
ENGINE	51 - 88
ENGINE	89 - 133
ENGINE	134 - 172
GEARBOX	173 - 194
GEARBOX	195 - 211
GEARBOX	212 - 238
TRANSFER BOX	239 - 252
AXLES AND SUSPENSION	253 - 313
STEERING	314 - 332
VEHICLE AND ENGINE CONTROLS	333 - 343
BRAKES	344 - 374
FUEL SYSTEM AND AIR CLEANER	375 - 401
EXHAUST SYSTEM	402 - 409
COOLING/HEATING	410 - 456
BODY ELECTRICAL	457 - 574
BODY AND CHASSIS	575 - 681
INTERIOR TRIM	682 - 772
SEATS	773 - 843
SEATS	844 - 862
STOWAGE	863 - 865
ACCESSORIES - PAINTS	866 - 893
NUMERICAL INDEX	895 - 958

GROUP B

ENGINE

ENGINE

STRIPPED ENGINE - 300TDI	52
ENGINE SHORT - 300TDI	53
CYLINDER BLOCK - 300TDI	54
JET ADAPTORS - 300TDI	55
CRANKSHAFT - 300TDI	56
PISTONS & RINGS - 300 TDI	57
SUMP - 300TDI	58
MOUNTINGS - DIESEL 300TDI	59
FRONT COVER - 300TDI	60 - 61
TIMING BELT - 300 TDI	62
WATER PUMP- 300TDI	63
COOLING FAN - 300 TDI	64
OIL FILTER - 300 TDI	65
CYLINDER HEAD - 300TDI	66 - 67
ROCKER SHAFT - 300TDI	68
VALVES AND TAPPETS - 300TDI	69
ROCKER COVER - 300TDI	70
CYCLONE BREATHER - 300TDI	71
CAMSHAFT - 300TDI	72
THERMOSTAT - 300TDI	73
MANIFOLDS - 300 TDI	74
EXHAUST GAS RECIRCULATING - 300TDI	75 - 76
FUEL LIFT PUMP - 300TDI	77
INJECTION PUMP - 300TDI	78
INJECTORS AND PIPES - 300TDI	79
TURBOCHARGER - 300TDI	80
VACUUM PUMP - 300 TDI	81
POWER STEERING PUMP - 300TDI	82
AIR CONDITIONING COMPRESSOR - 300TDI	83
AIR CONDITIONING IDLERS - 300TDI	84
ALTERNATOR - 300TDI	85
STARTER MOTOR - 300TDI	86
FLYWHEEL AND CLUTCH - 300TDI	87
ADAPTOR HOUSING AUTO - 300TDI	88



**Model** RANGE ROVER 1992 onwards

**Page** BDBNAC1A

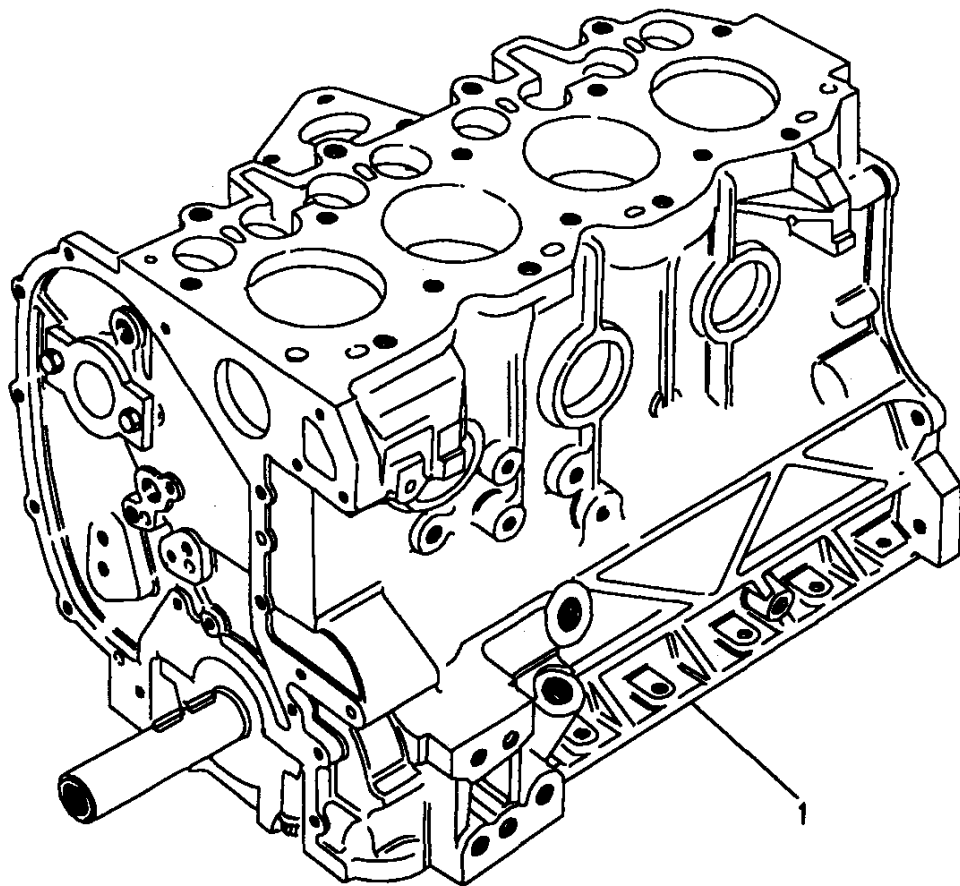
**ENGINE - STRIPPED ENGINE - 300TDI**

III. Part No.	Description	Qty Remarks
1 STC1736N	Engine stripped assembly	1

**Model** RANGE ROVER 1992 onwards  
**Page** BDBNAE1A

**ENGINE - ENGINE SHORT - 300TDI**

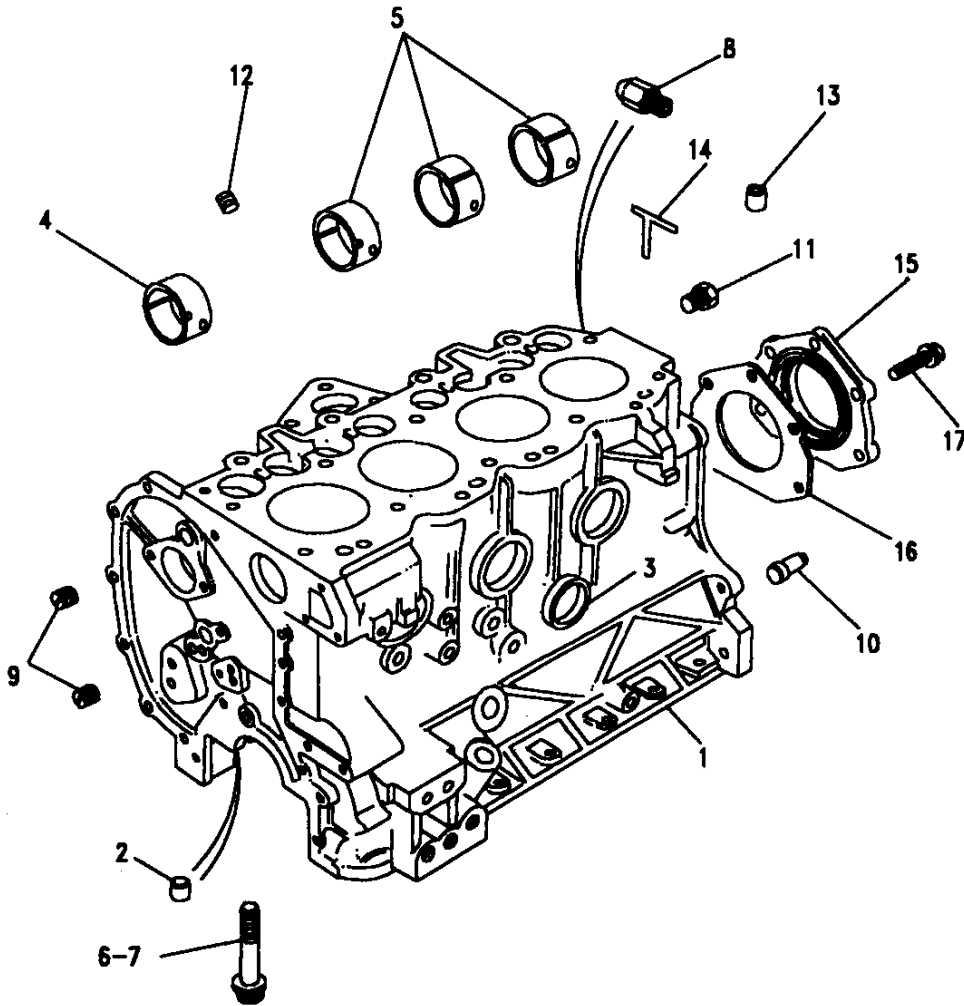
Ill. Part No.	Description	Qty	Remarks
1 STC1675	Engine short assembly	1	





Model RANGE ROVER 1992 onwards  
 Page BDBNBA1A

ENGINE - CYLINDER BLOCK - 300TDI

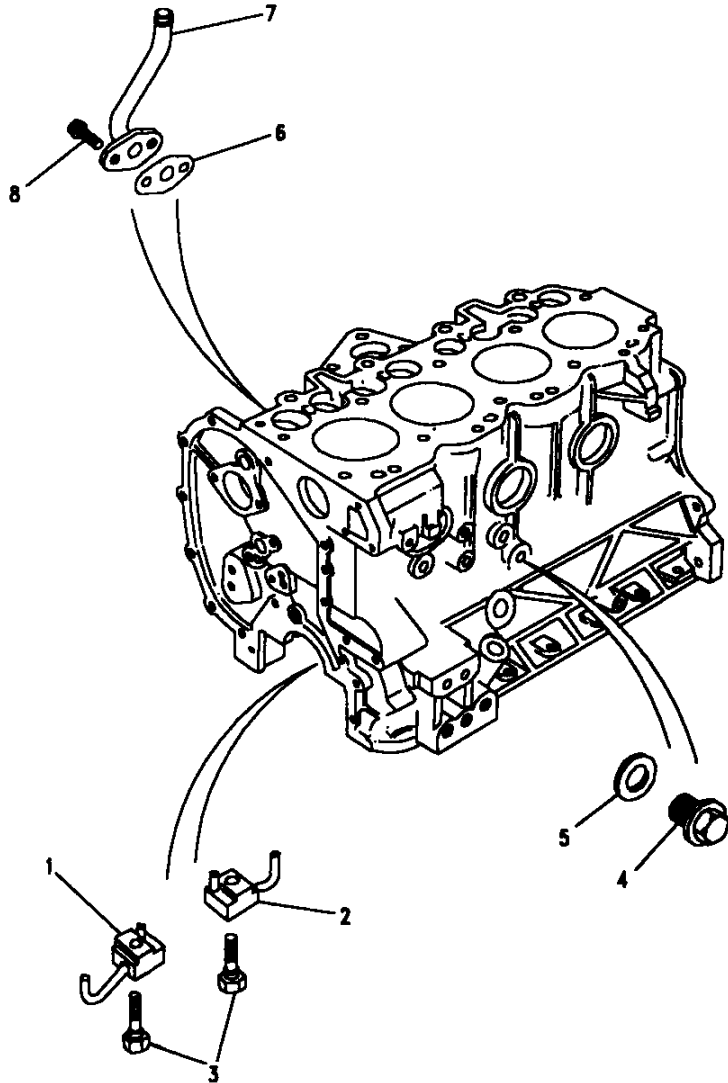


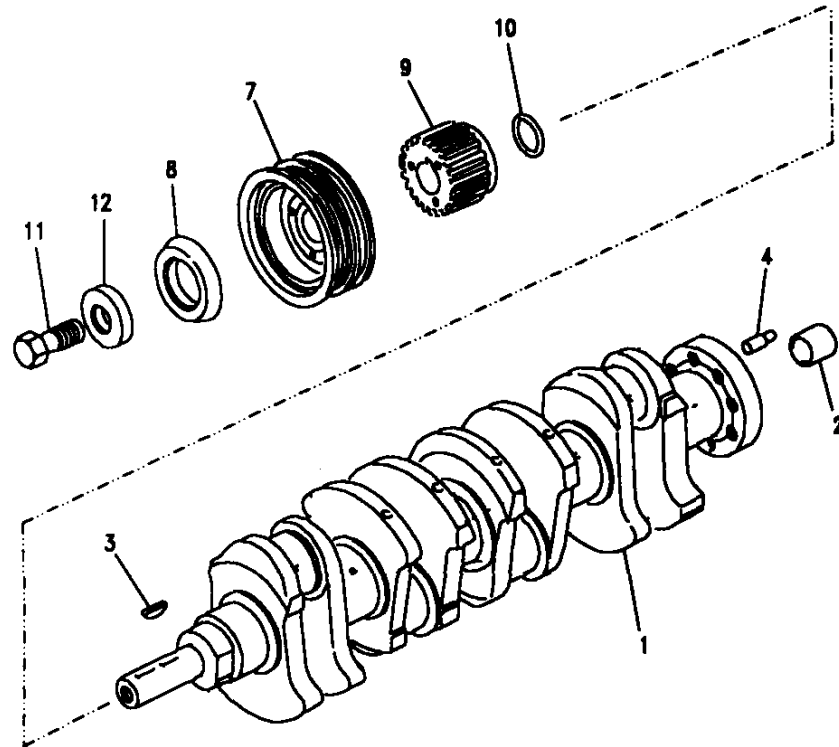
III. Part No.	Description	Qty	Remarks
1	ERR1919	1	Cylinder block assembly
2	501593	10	Dowel bearing caps
3	ERC4996	6	Cup plug
4	ETC8442	1	Bearing cam
5	90519055	3	Bearing cam
6	ETC8074	8	Bolt bearing cap
7	ERR3419	2	Bolt bearing cap
8	ERR2767	1	Jet oil camshaft
9	247127	2	Plug oil gallery
10	FRC2482	2	Dowel flywheel housing
11	ETC4922	2	Plug gallery pipe
12	ERR5034	3	Plug camshaft oil feed
13	ETC8352	2	Ring dowel head/block
14	ERR913	2	Packing strip
15	ERR4179	1	Oil seal rear
16	ERR4861	1	Gasket cylinder block
17	FS108251L	5	Screw flanged

**Model** RANGE ROVER 1992 onwards  
**Page** BDBNBA2A

**ENGINE - JET ADAPTORS - 300TDI**

III. Part No.	Description	Qty	Remarks
1	ETC6531	2	Oil jet assy No1 & 3 cyl
2	ETC6532	2	Oil jet assy No2 & 4 cyl
3	ETC5592	4	Valve relief
4	ERC9410	1	Plug drain
5	AFU1882L	1	Washer joint
6	ERR1094	1	Pipe oil drain
7	ERR1653	1	Gasket drain pipe
8	FS108201L	2	Screw flanged





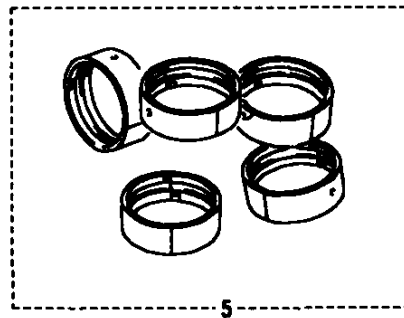
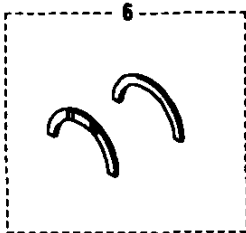
**Model** RANGE ROVER 1992 onwards  
**Page** BDBNCA1A

**ENGINE - CRANKSHAFT - 300TDI**

III. Part No.	Description	Qty	Remarks
1 ERR2112	Crankshaft	1	
2 8566L	Bush	1	
3 ERR3987	Key	2	
4 ERR1630	Dowel	1	
5 RTC4783	Bearing kit main.standard	1	
RTC478310	Bearing kit main .010 u/s	1	

**Kit - Thrust washer - pairs**

6 RTC2825	Standard	A/R
538131	0.0025 oversize	A/R
538132	0.0050 oversize	A/R
7 ERR2220	Damper	1
8 ERR2100	Flinger	1
9 ERR4707	Pulley crankshaft timing	1
10 ERR4710	O ring	1
11 ERR5087	Bolt crankshaft	1
12 ERR1564	Washer thrust	1



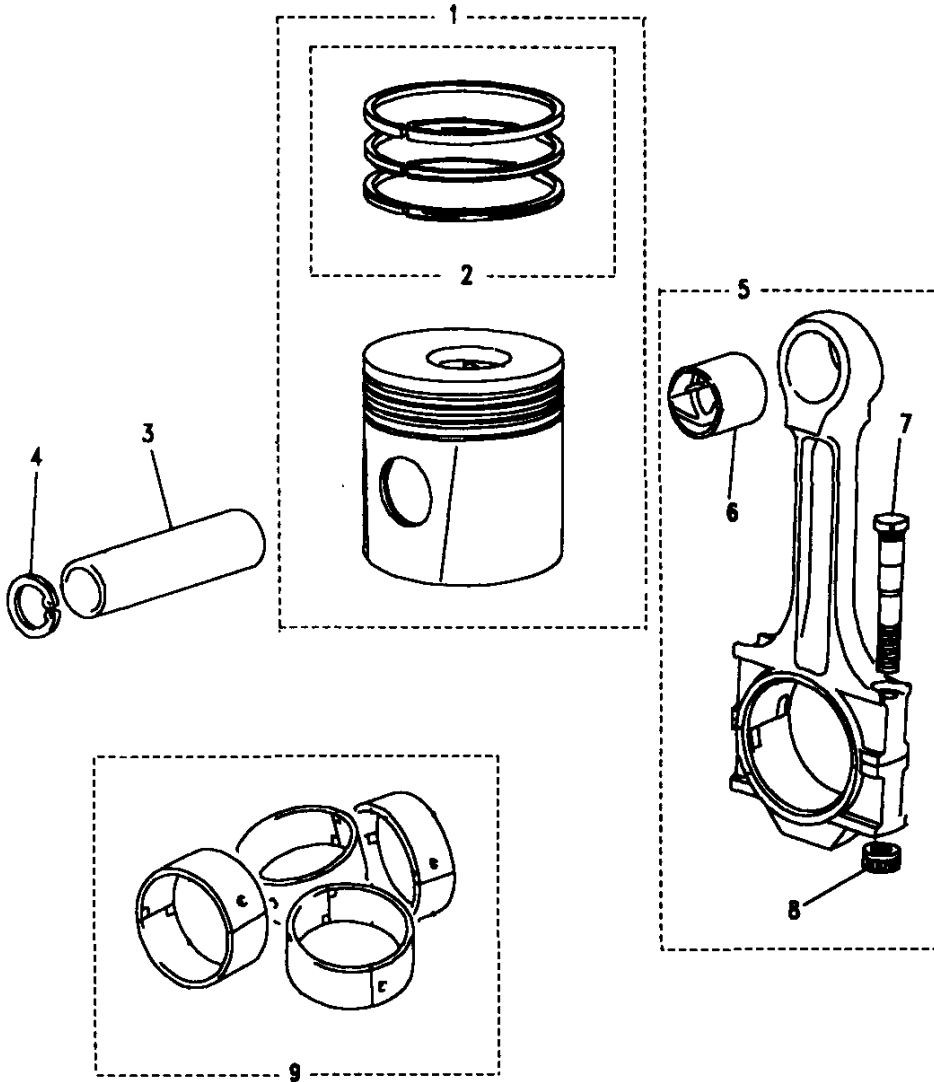
**Model** RANGE ROVER 1992 onwards  
**Page** BDBNCC1A

**ENGINE - PISTONS & RINGS - 300 TDI**

III. Part No.	Description	Qty	Remarks
1 ERR2410	Piston assembly standard	4	
2 STC958	Kit piston ring standard	4	
3 ERR703	Gudgeon pin	4	
4 266945	Circlip	8	
5 ERR2418	Connecting rod assembly	4	
6 ERR2419	Bush	4	
7 ETC7357	Bolt	8	
8 ETC8191	Nut	8	

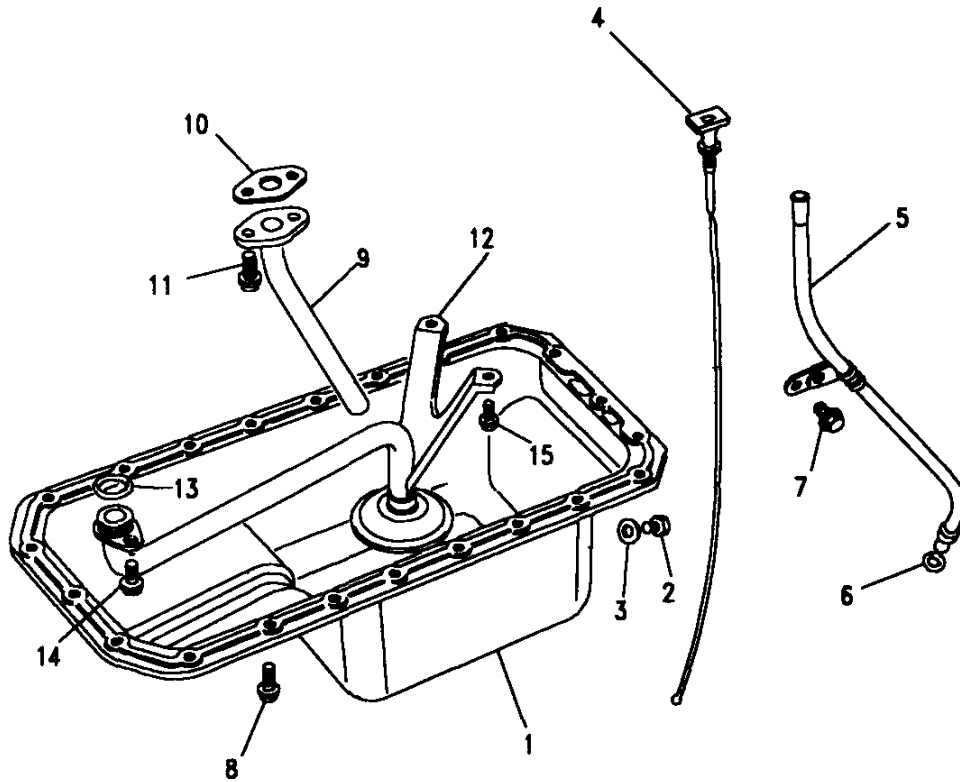
**Bearing kit - conn rod - engine set**

9 RTC2993	Bearing set big end	A/R	
RTC299310	Bearing set big end	A/R	0.010"o/s



Model RANGE ROVER 1992 onwards  
 Page BDBNDA1A

ENGINE - SUMP - 300TDI

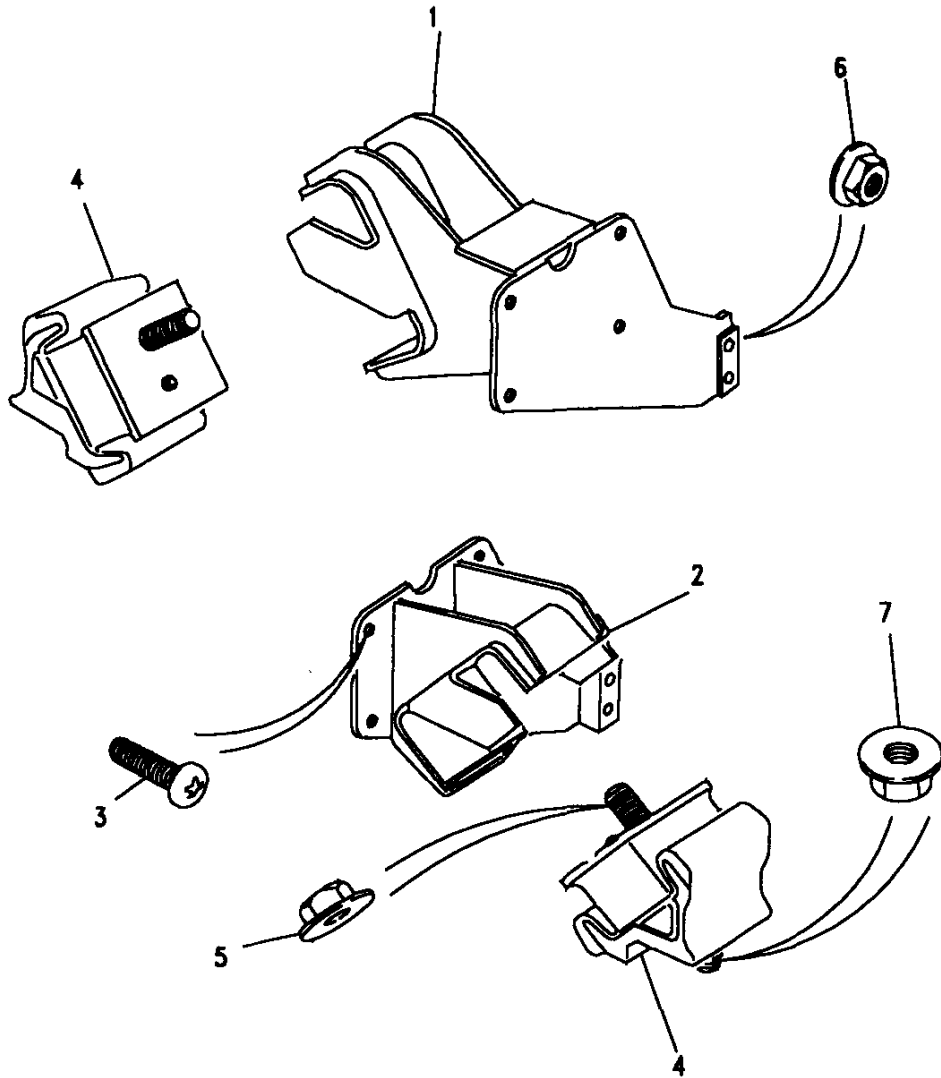


III. Part No.	Description	Qty	Remarks
1	ERR4696	1	Sump
2	UAM2957L	1	Plug
3	UAM2857L	1	Washer joint
4	ERR3809	1	Rod oil level
5	ERR4697	1	Tube dipstick
6	ERR3683	1	Ring sealing
7	FS108161L	1	Screw flanged
8	FS108161L	22	Screw flanged
9	ERR3633	1	Pipe oil drain
10	ERR1653	1	Gasket
11	FS108201L	2	Screw flanged
12	ERR3299	1	Oil pick up assembly
13	ERR3417	1	O Ring
14	FS108161L	1	Screw flanged
15	FS108161L	2	Screw flanged

**Model** RANGE ROVER 1992 onwards  
**Page** BDBNDC1A

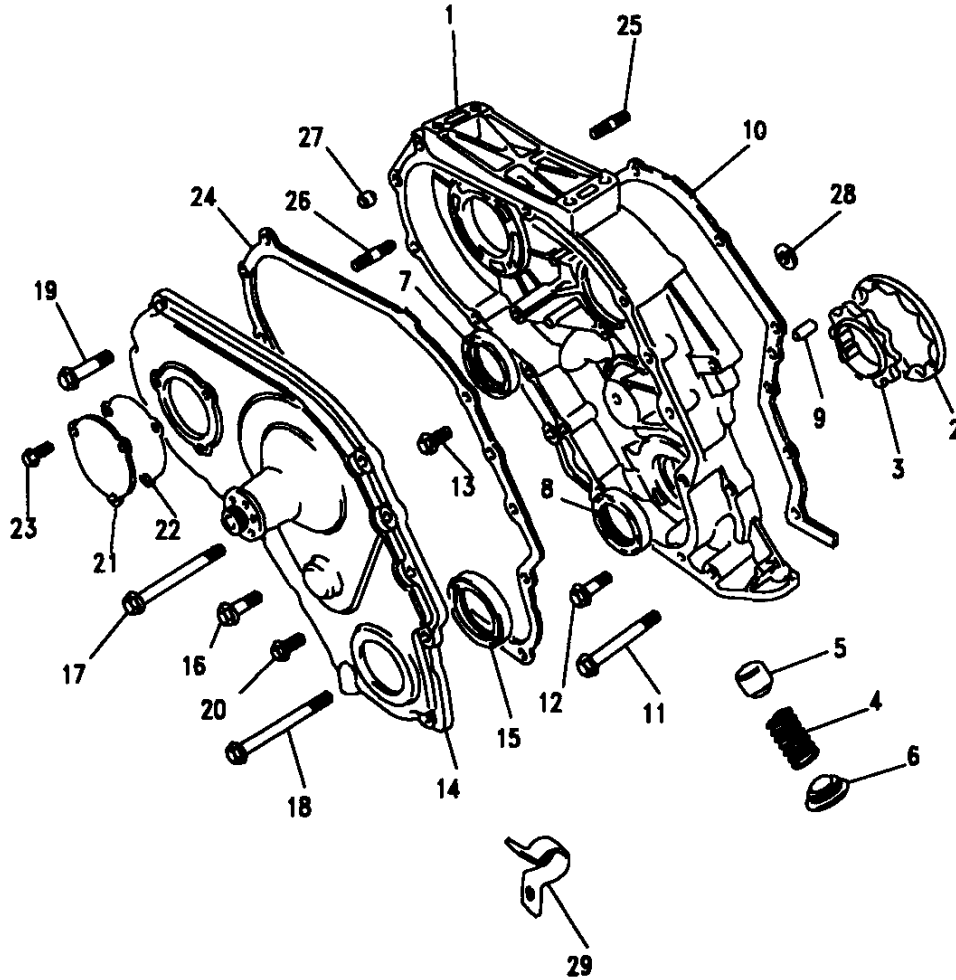
**ENGINE - MOUNTINGS - DIESEL 300TDI**

Ill. Part No.	Description	Qty	Remarks
1	ANR2868	1	Bracket mounting RH
2	NTC9415	1	Bracket mounting LH
3	SH112201	8	Screw M12 x 20
4	NTC9416	2	Mounting rubber
5	FX112041L	2	Nut flanged M12
6	FX110041L	2	Nut flanged M10
7	FX112041L	2	Nut flanged M12



**Model** RANGE ROVER 1992 onwards  
**Page** BDBNEA1A

**ENGINE - FRONT COVER - 300TDI**

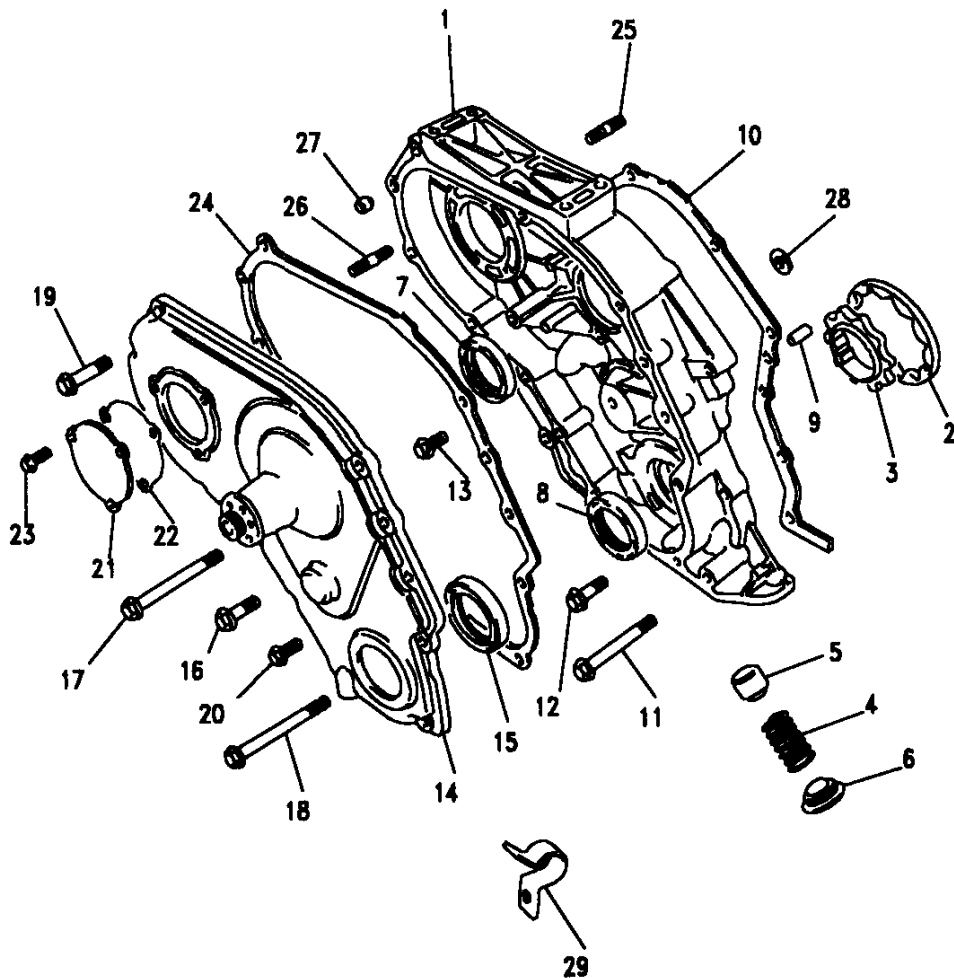


III. Part No.	Description	Qty	Remarks
1 ERR4864	Cover front engine	1	
2 ERR1040	Rotor outer	1	
3 ERR1041	Rotor inner	1	
4 ERR1084	Spring relief valve	1	
5 ERR1085	Plunger relief valve	1	
6 ERR1086	Plug relief plunger	1	
7 ERR3356	Oil seal camshaft	1	
8 ERR4575	Oil seal crankshaft	1	
9 6395L	Dowel	4	
10 ERR4860	Gasket front cover	1	
11 FB108161L	Bolt flanged M8 x 80	2	
12 FB108071L	Bolt flanged M8 x 35	3	
13 FS108251L	Screw flanged M8 x 25	5	

Model RANGE ROVER 1992 onwards  
 Page BDBNEA1A

ENGINE - FRONT COVER - 300TDI

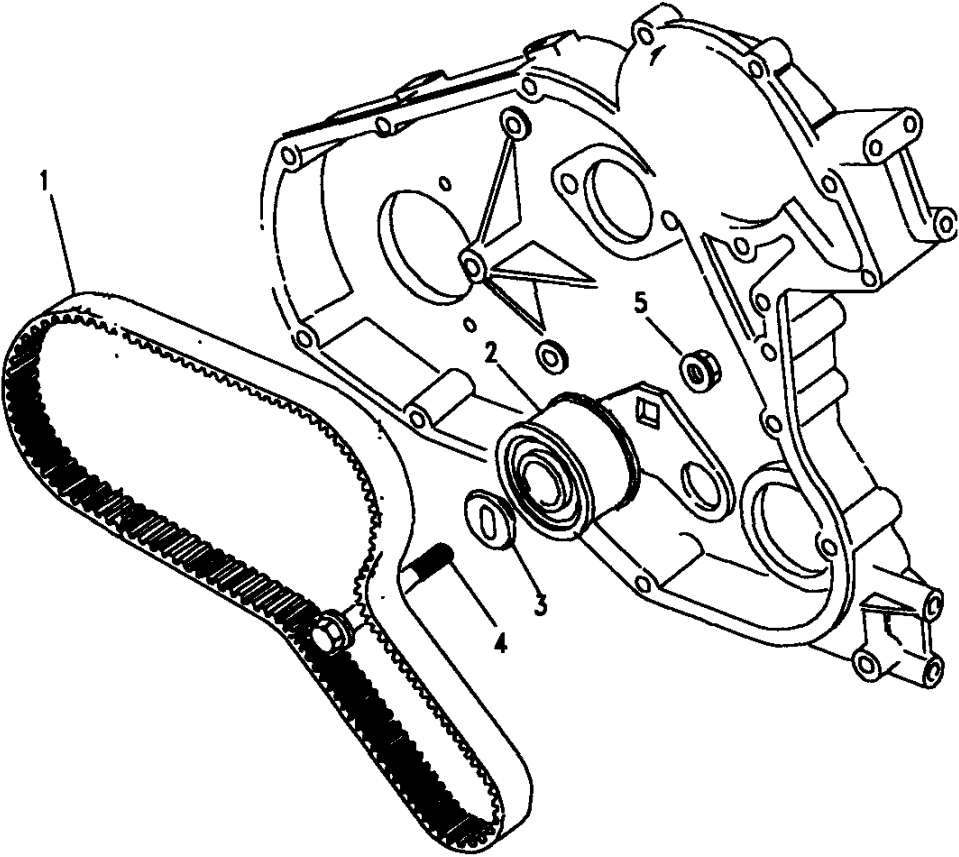
III. Part No.	Description	Qty	Remarks
14	ERR4578	1	
15	ERR4576	1	
16	FB108071L	5	
	FB108081L	2	
17	FB108201L	2	
18	FB108221	2	
19	FB108101	2	
20	FS108251L	1	
21	ERR1560	1	)Not air
22	ERR1561	1	)conditioning
23	FS108121	3	)
24	ERR4120	1	
25	TE108061L	3	
26	TE110051L	1	
27	ERR3286	2	
28	ERR2344	1	
29	ERR4824	2	





**Model** RANGE ROVER 1992 onwards  
**Page** BDBNEC1A

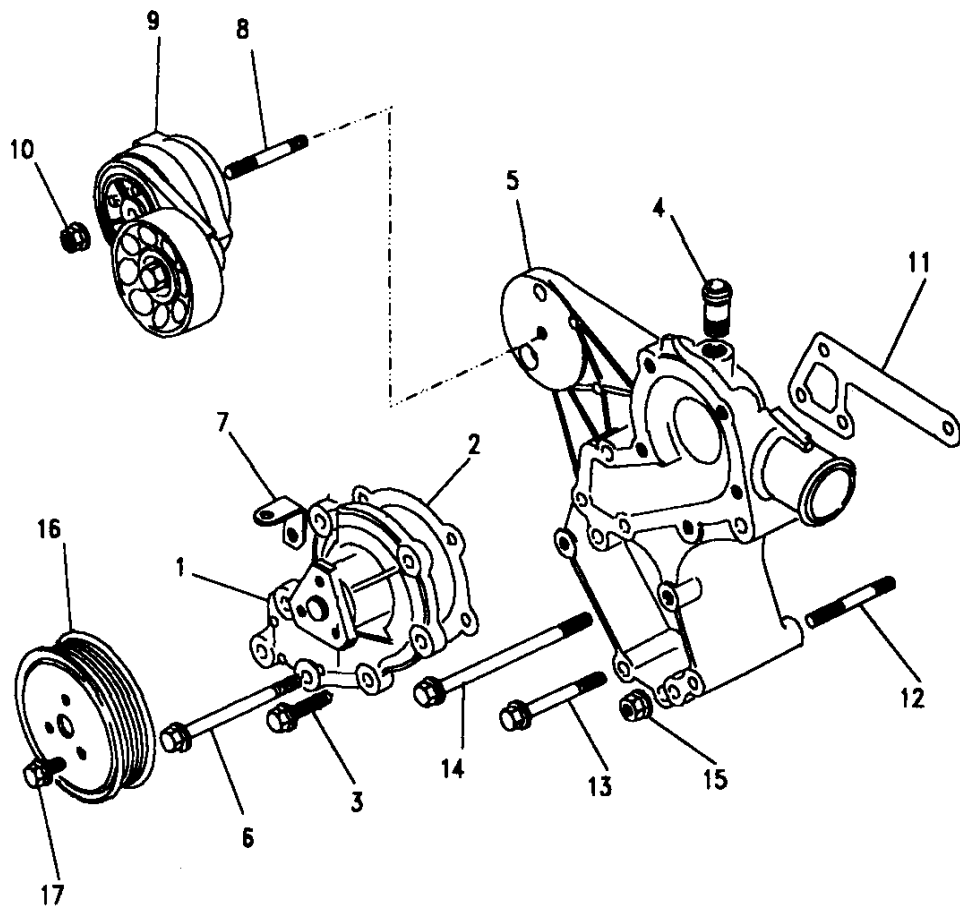
**ENGINE - TIMING BELT - 300 TDI**



III. Part No.	Description	Qty	Remarks
1 ERR1092	Belt timing	1	
2 ERR1972	Tensioner timing belt	1	
3 ERR900	Washer	1	
4 FB110131L	Bolt flanged	1	
5 FN110041L	Nut flanged	1	
6 ETC8560	Idler static- timing belt	1	
7 ERR1973	Washer spacing	1	

Model RANGE ROVER 1992 onwards  
 Page BDBNEE1A

ENGINE - WATER PUMP- 300TDI

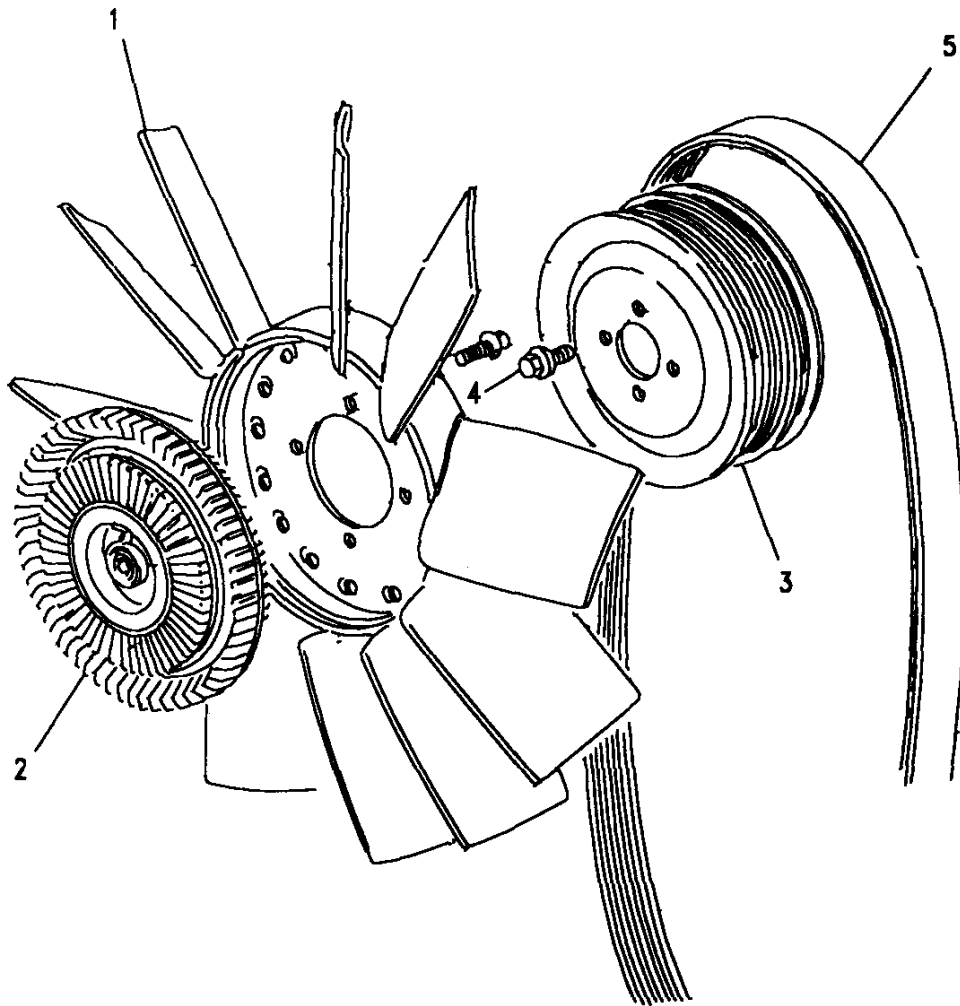


III. Part No.	Description	Qty	Remarks
1	STC1086	1	Pump water
2	ERR3284	1	Gasket
3	FS108301L	5	Bolt
4	ERR3622	1	Pipe stub
5	ERR3736	1	Bracket mounting
6	FB108241L	3	Bolt flanged
7	ERR5259	1	Bracket bypass hose
	ERR5099	1	Hose by pass
8	TE110151	1	Stud
9	ERR4708	1	Tensioner auxiliary
10	FN110041L	1	Nut flanged
11	ERR2378	1	Gasket water in to block
12	ERR4404	1	Stud
13	FB108131L	1	Bolt flanged
14	FB108261	1	Bolt flanged
15	FX108041L	2	Nut flanged
16	ERR3734	1	Pulley water pump
17	FS108121	3	Screw flanged

**Model** RANGE ROVER 1992 onwards  
**Page** BDBNEG1A

**ENGINE - COOLING FAN - 300 TDI**

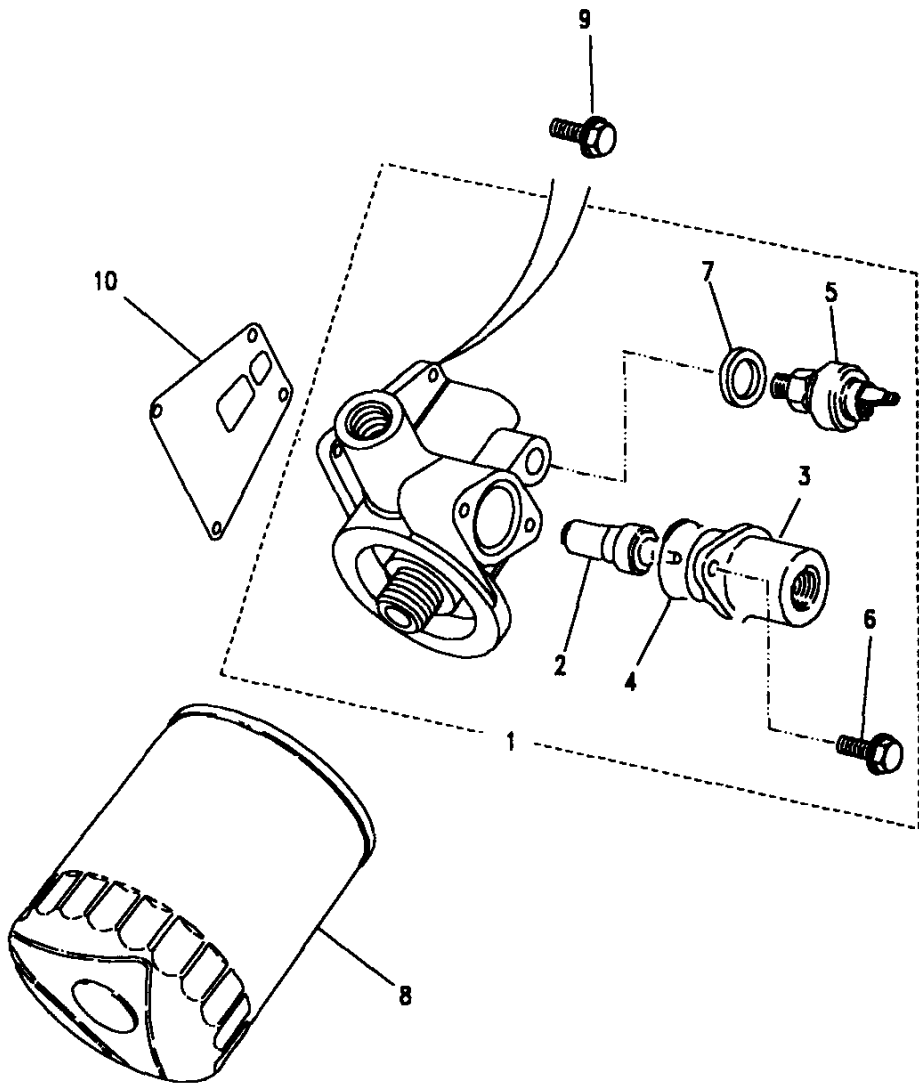
III. Part No.	Description	Qty	Remarks
1 ERR2789	Fan blade	1	
2 ERR2266	Viscous unit	1	
3 ERR3735	Pulley fan	1	
4 FS108121	Screw flanged	4	
5 ERR3287	Belt	1	

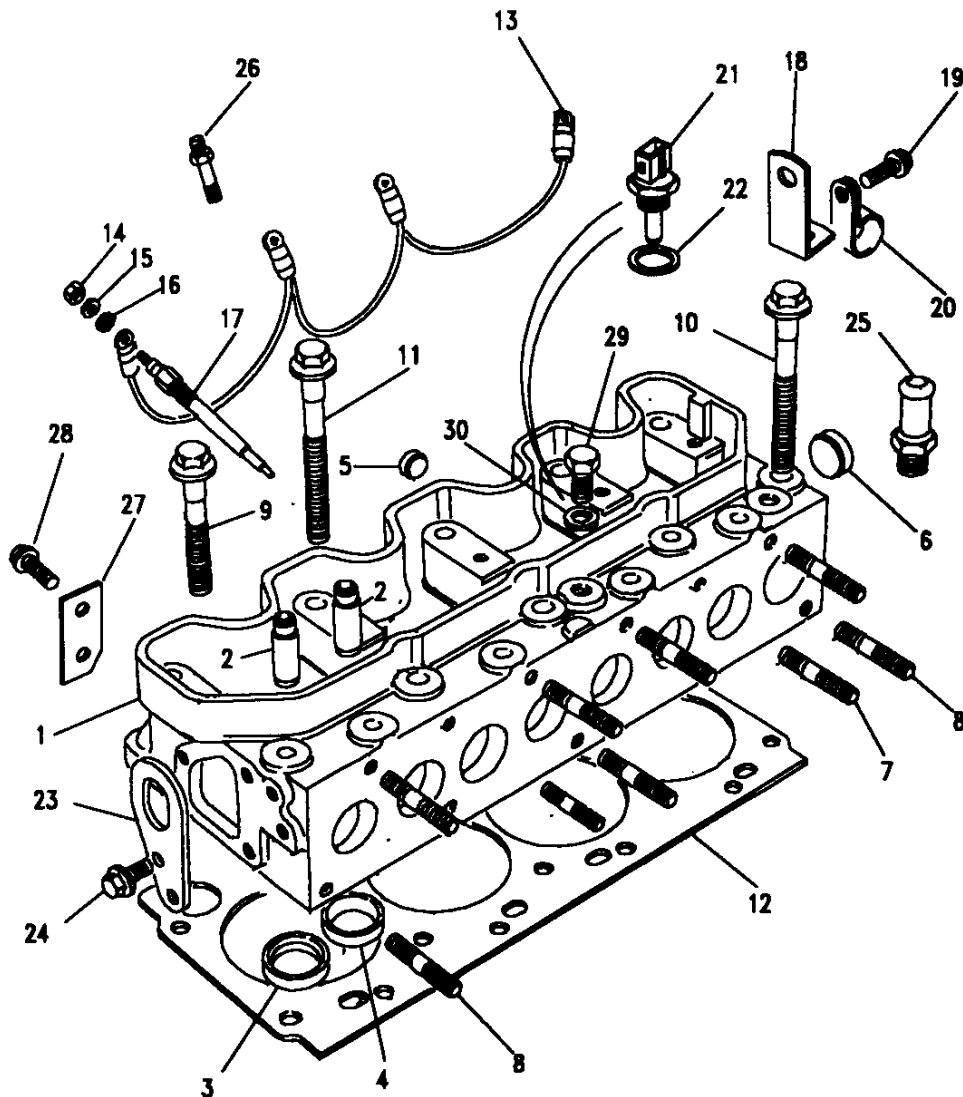


**Model** RANGE ROVER 1992 onwards  
**Page** BDBNFC1A

**ENGINE - OIL FILTER - 300 TDI**

III. Part No.	Description	Qty	Remarks
1	ERR2317	1	Adaptor assembly filter
2	ERC5923	1	Thermostat bulb
3	ERR2241	1	Waxstat adaptor
4	ERC5913	1	O ring
5	PRC6387	1	Switch oil pressure
6	FS108167	2	Screw flanged
7	AFU1887L	1	Washer joint
8	ERR3340	1	Filter element oil
9	FS110301L	4	Screw
10	ERR3283	1	Gasket





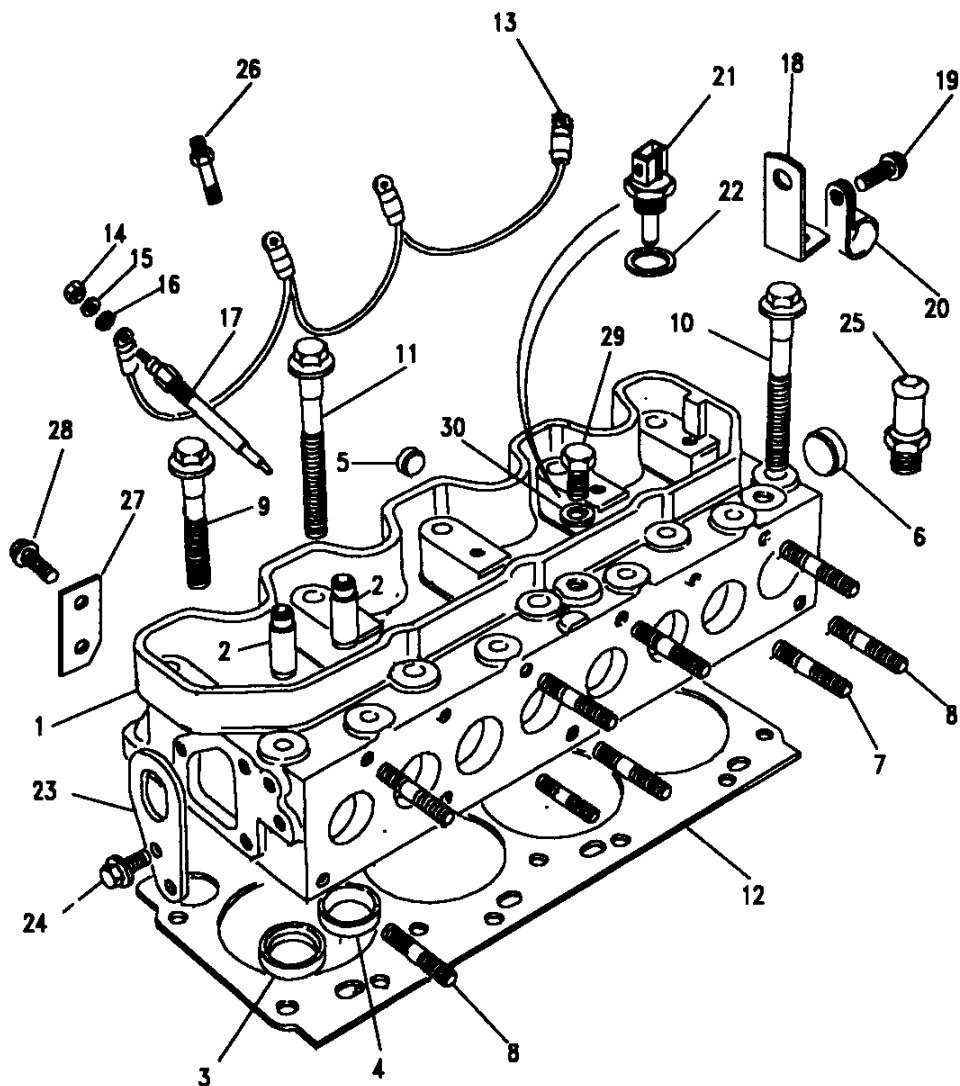
**Model** RANGE ROVER 1992 onwards  
**Page** BDBNGA1A

**ENGINE - CYLINDER HEAD - 300TDI**

III. Part No.	Description	Qty	Remarks
1	ERR5027	1	Cylinder head assembly
2	ETC8003	8	Guide valve
3	ERR2396	4	Insert valve seat insert
4	ERR3753	4	Insert valve seat exh
5	525497	1	Plug cup
6	524765	1	Plug cup
7	TE108051L	2	Stud M8 x 25
8	TE110071L	7	Stud M10 x 35
9	ETC8808	4	Bolt fixing cyl head
10	ERR1939	10	Bolt fixing cyl head
11	ETC8810	4	Bolt fixing cyl head

**Gasket - Cylinder head - Selective**

12	ERR4537	1.3mm	A/R
	ERR4538	1.4mm	A/R
	ERR4539	1.5mm	A/R
13	AMR2425	Cable assembly glow plugs	1
14	NH104041L	Nut	4
15	WA104001L	Washer plain	4
16	WE104001L	Washer shakeproof	4
17	ETC8847	Glow plug	4



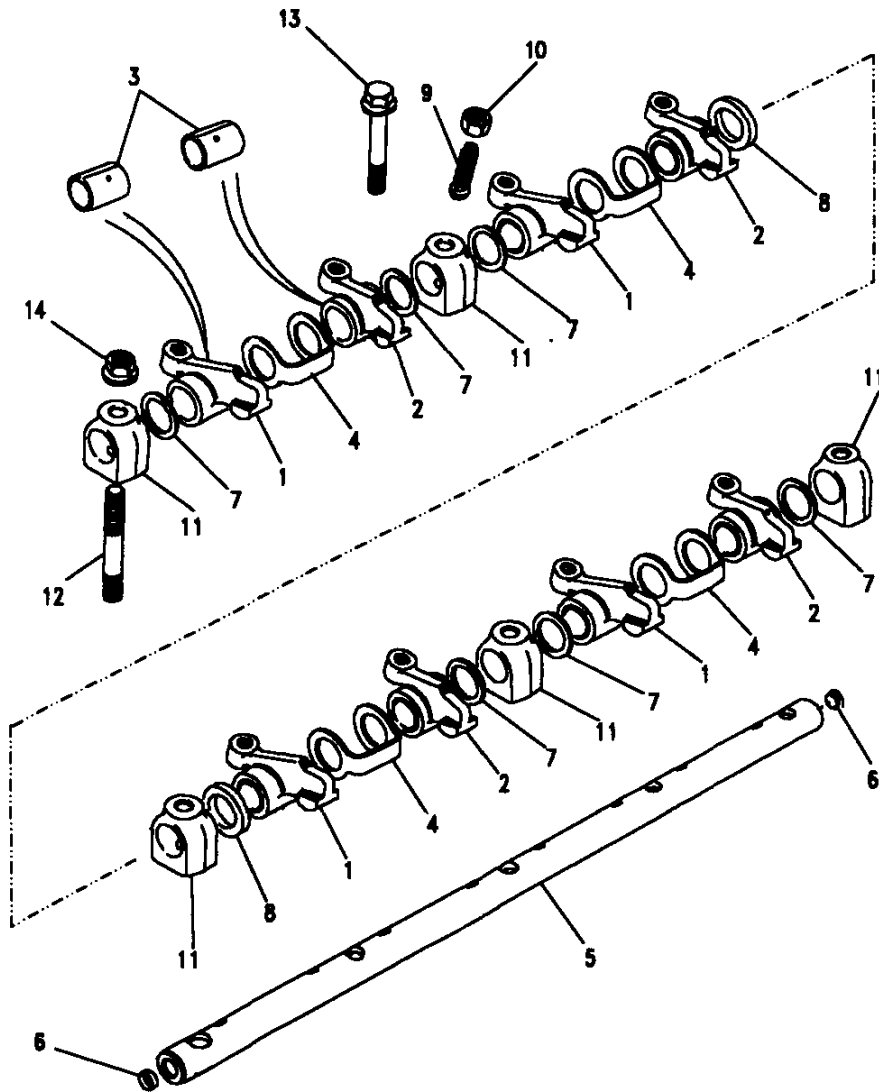
**Model** RANGE ROVER 1992 onwards  
**Page** BDBNGA1A

**ENGINE - CYLINDER HEAD - 300TDI**

III. Part No.	Description	Qty	Remarks
18	ERC9480	1	)EDC
19	FS108201L	2	)EDC
20	CP108251	1	
21	ERR2081	1	)EGR
22	ERR894	1	)EGR
23	ETC8031	1	
24	FS108201L	2	
25	624091	1	
26	ERR1019	4	
27	ERC9404	1	
28	FS108161L	1	
29	ETC5577	1	) Euro
30	FRC4808	1	)detoxed

**Model** RANGE ROVER 1992 onwards  
**Page** BDBNGC1A

**ENGINE - ROCKER SHAFT - 300TDI**

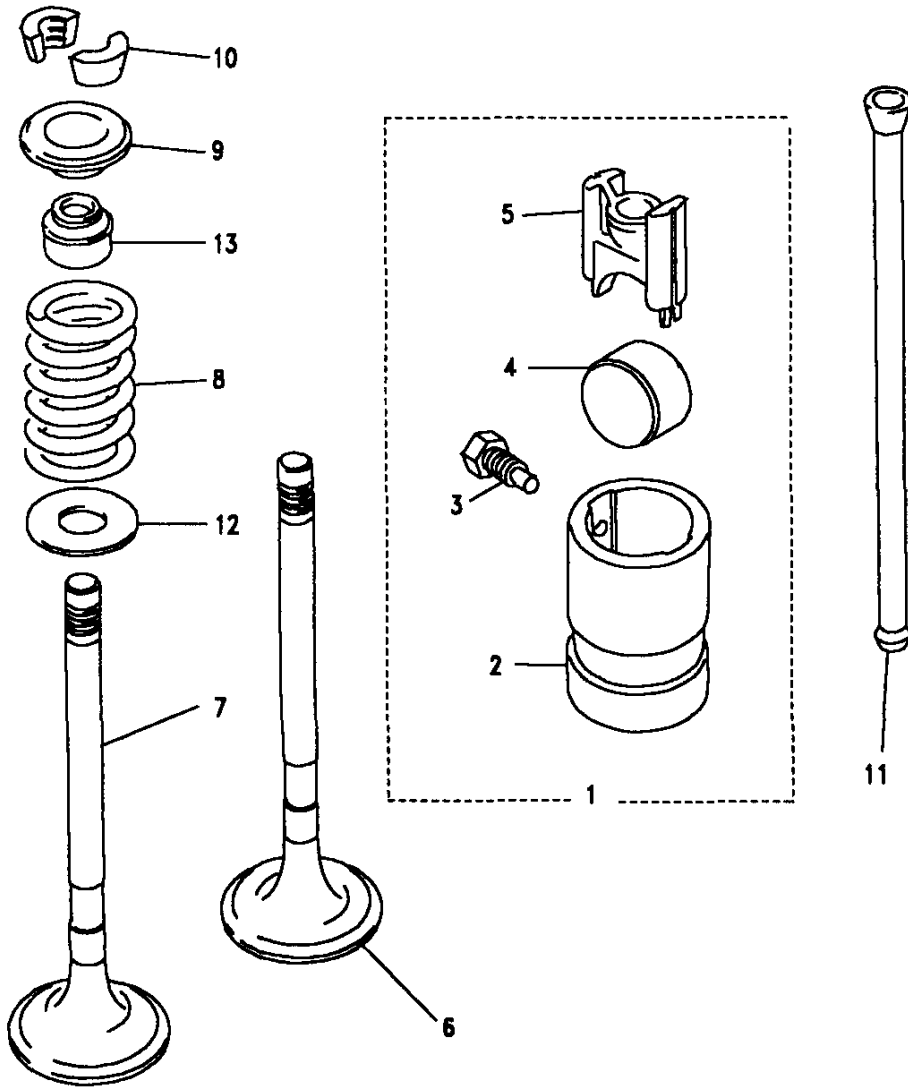


III. Part No.	Description	Qty	Remarks
1	ERR3343	4	Rocker arm assembly RH
2	ERR3342	4	Rocker arm assembly LH
3	ERR1203	8	Bush
4	ERR2405	4	Spring
5	ERR4848	1	Shaft rocker assembly
6	ERR3457	2	Cup plug
7	ERR1209	6	Spacer
8	ERR2732	2	Spacer
9	ERR4883	8	Screw tappet adjusting
10	ERR560	8	Nut locker
11	ERR3779	5	Clamp rocker shaft
12	ERR4687	3	Stud rocker cover
13	FB108101	2	Bolt flanged
14	FN108041L	3	Nut flanged

**Model** RANGE ROVER 1992 onwards  
**Page** BDBNGE1A

**ENGINE - VALVES AND TAPPETS - 300TDI**

III. Part No.	Description	Qty	Remarks
1	RTC6564	8	Tappet assembly
2	502473	8	Guide tappet
3	ETC4246	8	Bolt
4	ERR561	8	Follower
5	ERR607	8	Tappet slide
6	ERR3777	4	Valve inlet
7	ERR1156	4	Valve exhaust
8	ERR4640	8	Valve spring
9	ETC4068	8	Cup valve spring
10	ETC4069	16	Cotter split
11	546799	8	Push rod
12	ETC8193	8	Seat spring
13	ETC8663	8	Seal valve stem
14	ERR4175	8	Cap valve stem protection

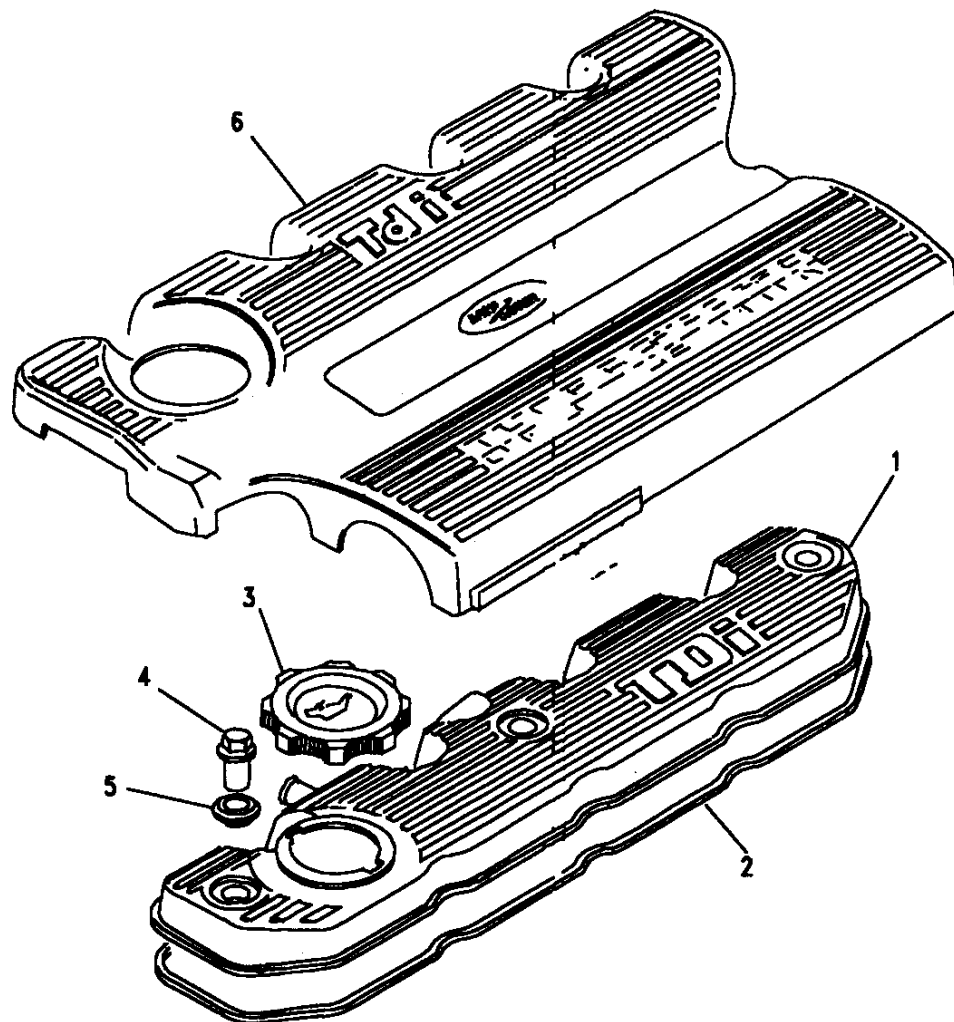




**Model** RANGE ROVER 1992 onwards

**Page** BDBNGG1A

**ENGINE - ROCKER COVER - 300TDI**

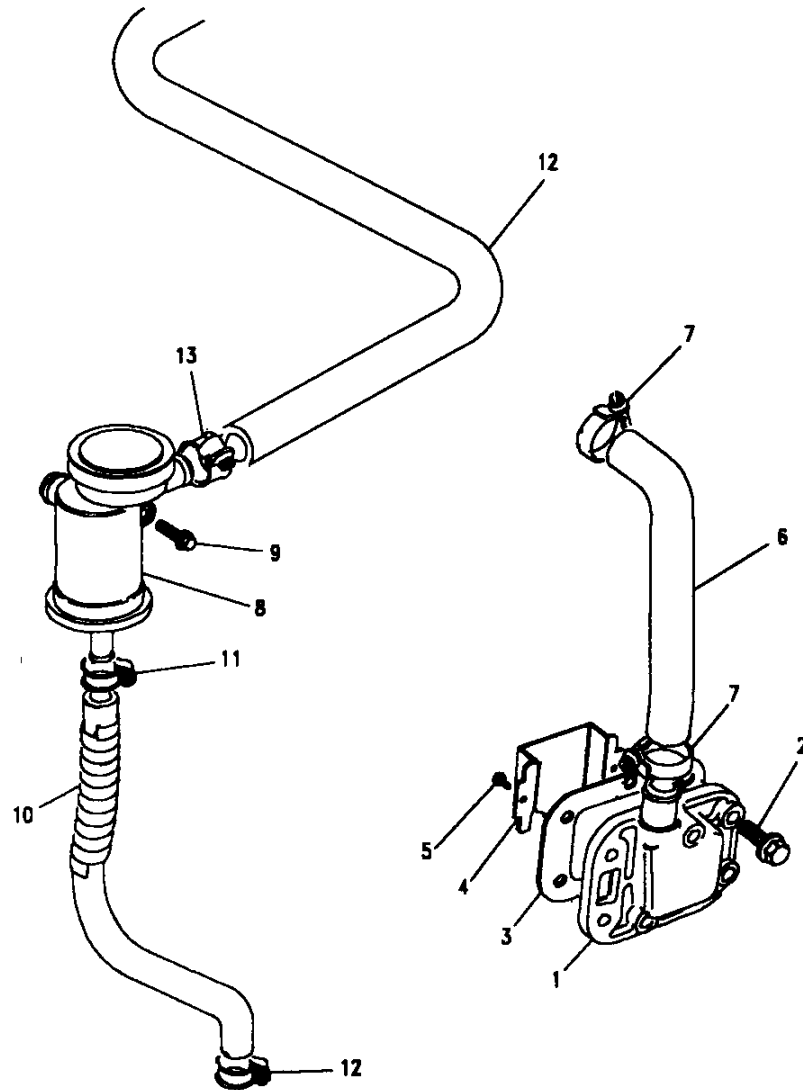


III. Part No.	Description	Qty	Remarks
1	ERR4691	1	Rocker cover
2	ERR2409	1	Gasket rocker cover
3	ERR5041	1	Cap oil filler
4	ERR4834	3	Screw
5	ERR3424	3	Washer sealing
6	ERR4632	1	Cover noise reduction

**Model** RANGE ROVER 1992 onwards  
**Page** BDBNKG2A

**ENGINE - CYCLONE BREATHER - 300TDI**

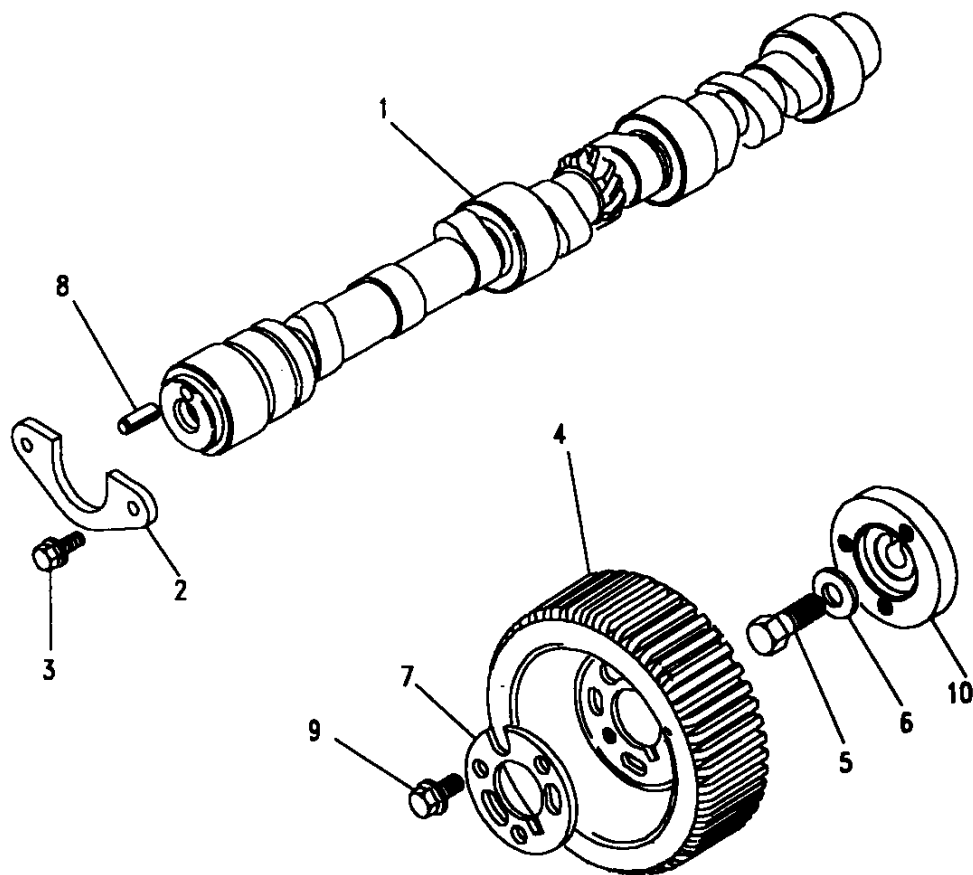
III. Part No.	Description	Qty	Remarks
1	ERR4706	1	Cover side breather
2	FS108251L	3	Screw flanged
3	ERR2026	1	Gasket side cover
4	ERR874	1	Baffle plate
5	79027	1	Screw
6	ERR3084	1	Hose side to rocker cover
7	CN100258L	2	Clip hose
8	ERR1471	1	Breather cyclone
9	FB106111L	1	Bolt flanged
10	ERR1351	1	Hose cyclone oil drain
11	CN100208L	2	Clip hose
12	ERR4689	1	Hose cyclone to a/cleaner
13	CN100258L	2	Clip hose
14	CP108251L	1	P clip
15	FS108201L	1	Screw flanged



**Model** RANGE ROVER 1992 onwards  
**Page** BDBNG11A

**ENGINE - CAMSHAFT - 300TDI**

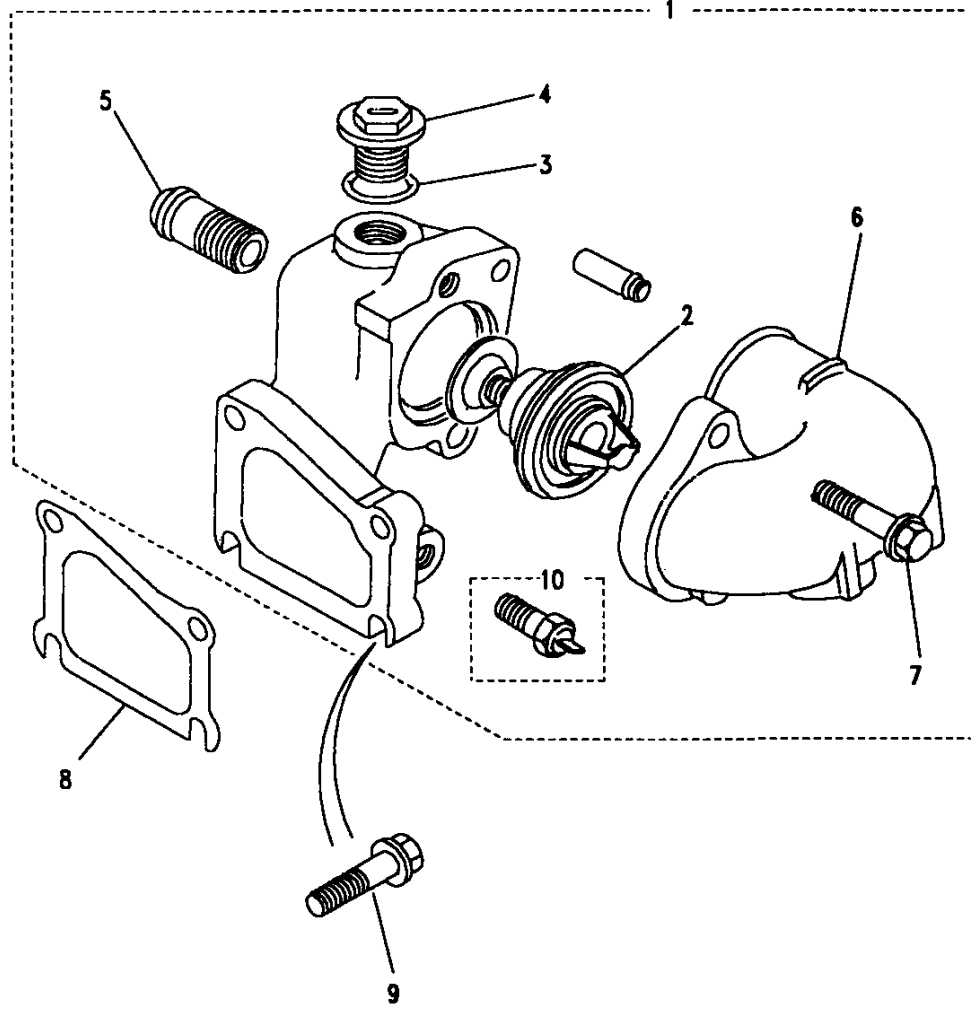
III. Part No.	Description	Qty	Remarks
1	ERR3547	1	Camshaft
2	ERR3754	1	Plate thrust camshaft
3	FS106167	2	Screw flanged
4	ERR3545	1	Pulley timing belt
5	BX112091	1	Bolt
6	BDU1496L	1	Washer
7	ERR2216	1	Plate retaining
8	ERR4709	1	Dowel camshaft
9	FS108161L	3	Screw flanged
10	ERR3756	1	Hub camshaft pulley



**Model** RANGE ROVER 1992 onwards  
**Page** BDBNGK1A

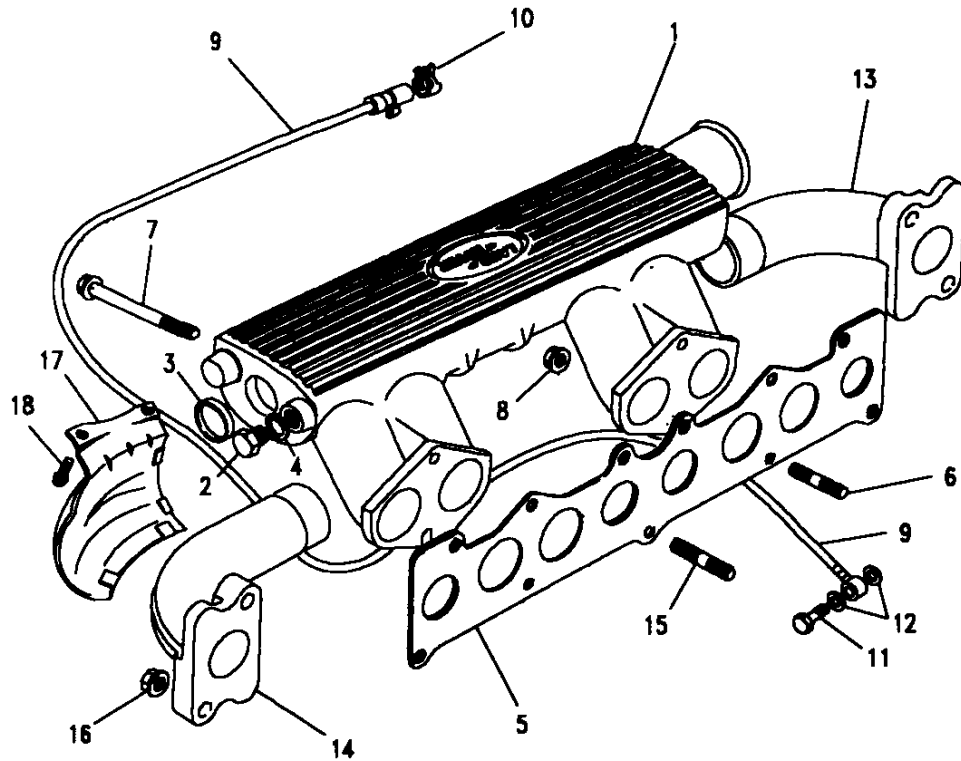
**ENGINE - THERMOSTAT - 300TDI**

III. Part No.	Description	Qty	Remarks
1	ERR3479	1	
	ERR5098	1	Air con
2	ERR3291	1	
3	ERR4685	1	
4	ERR4686	1	
5	ERR3622	1	
6	ERR3737	1	
	ERR3738	1	Air con
7	FS108251L	2	
8	ERR3490	1	
9	FS108251L	4	
10	AMR1425	1	Green insert



**Model** RANGE ROVER 1992 onwards  
**Page** BDBNHA1A

**ENGINE - MANIFOLDS - 300 TDI**

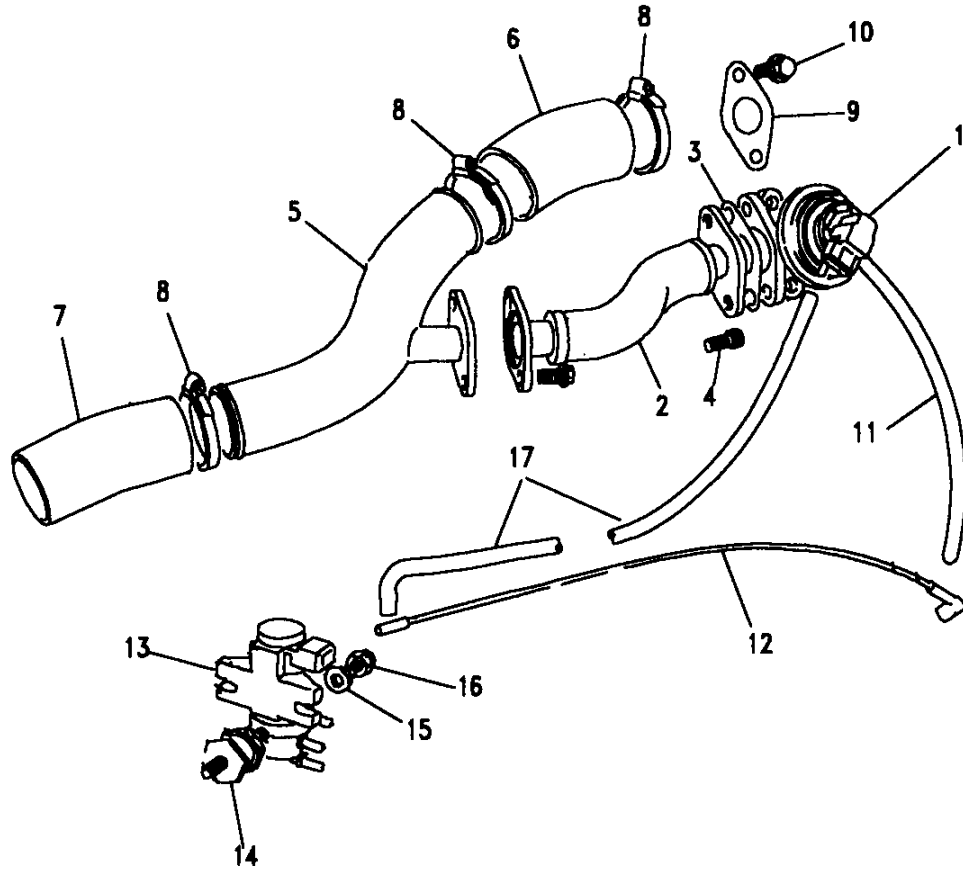


III. Part No.	Description	Qty	Remarks
1	ERR3481	1	
	ERR2284	1	EDC
2	ETC5577	1	Not EDC
3	524765	1	
4	ERR894	1	Not EDC
5	ERR3785	1	
6	TE108051L	2	
7	FB108171L	2	
8	FN108041L	2	
9	ERR4699	1	Non EDC
	ERR4700	1	EDC
10	UKC3803L	1	
11	ERR886	1	
12	273069	2	
13	NSS	1	Note(1)
14	NSS	1	Note(1)
15	TE110071L	7	
16	FX110041L	7	
17	ESR2422	1	
18	FS105107	2	

Note(1) Supplied as part of Turbocharger assembly

**Model** RANGE ROVER 1992 onwards  
**Page** BDBNHE1A

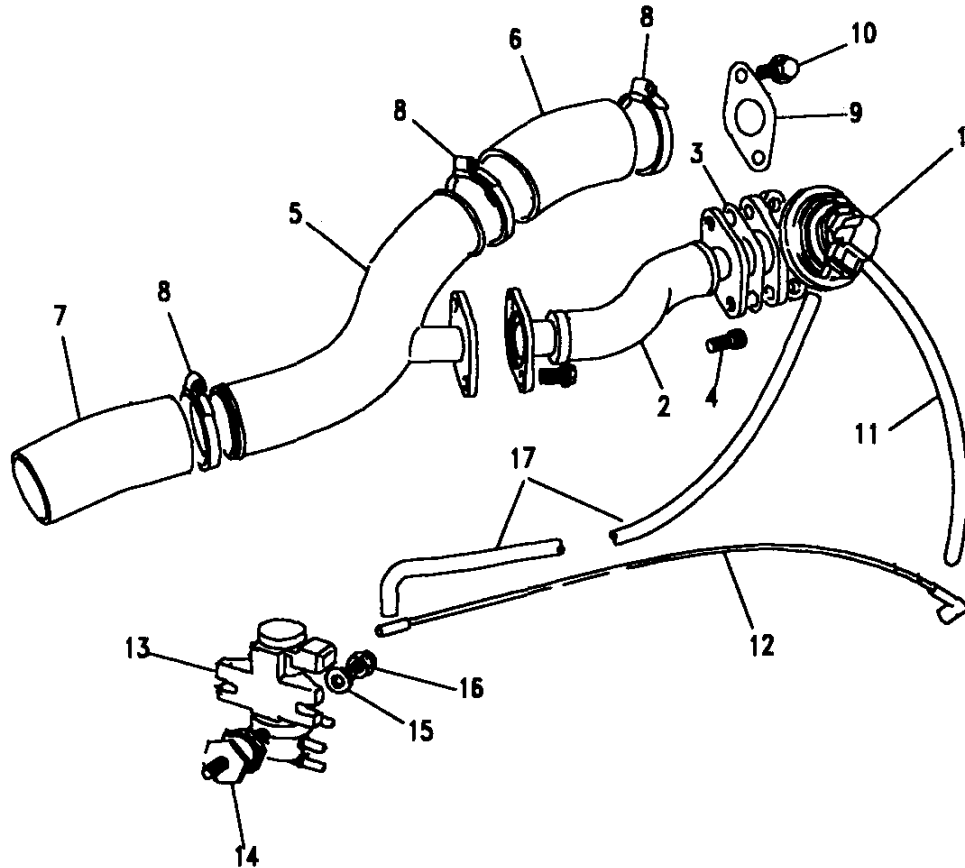
**ENGINE - EXHAUST GAS RECIRCULATING - 300TDI**



Ill. Part No.	Description	Qty	Remarks
1	ERR4047	1	EGR
	ERR2826	1	EDC
2	ERR3583	1	
3	ERR3579	1	
4	ERR3580	1	
5	ERR3581	1	
6	CN100608L	2	
7	ERR3791	1	
8	FS108201L	2	
9	ERR5055	1	
10	ERR3319	1	
11	SS108201	2	
12	ERR3314	1	
13	ERR2337	2	
14	NY106041L	2	
15	WA106001L	2	
16	ERR4862	1	

**Model** RANGE ROVER 1992 onwards  
**Page** BDBNHE1A

**ENGINE - EXHAUST GAS RECIRCULATING - 300TDI**

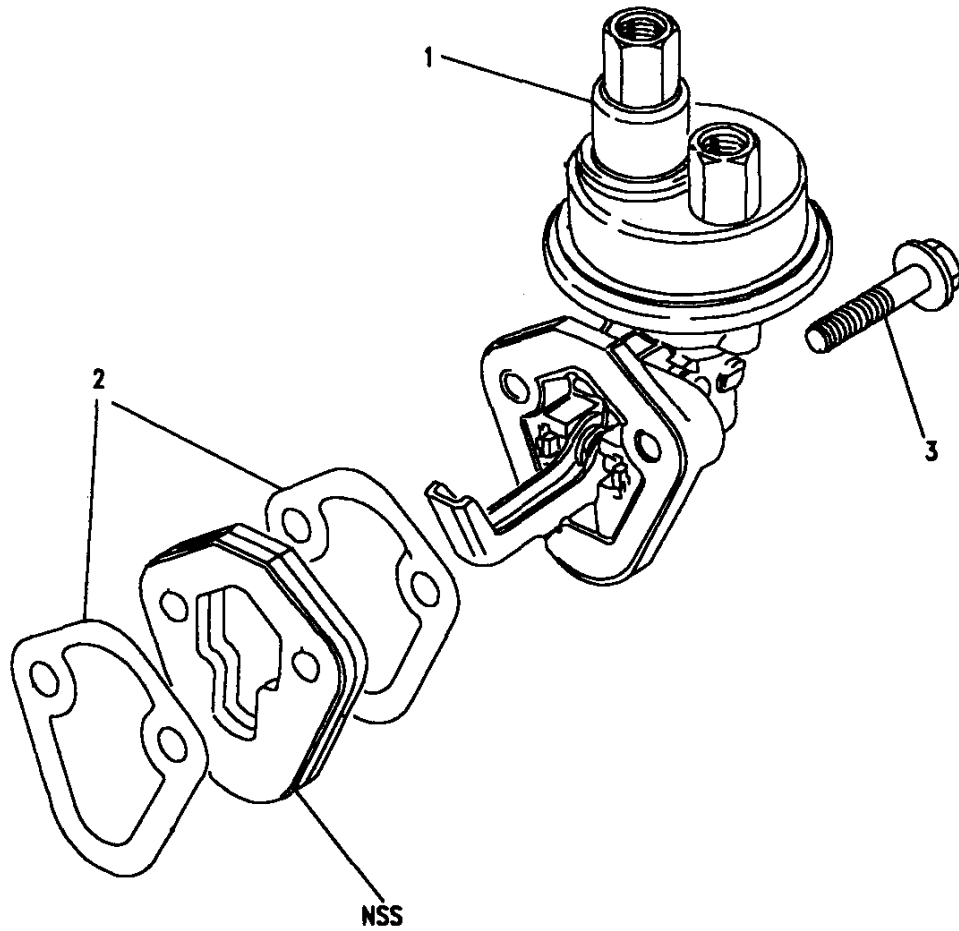


iii. Part No.	Description	Qty	Remarks
<b>Electronic Diesel Control only (EDC)</b>			
17 ERR2083	Sensor boost pressure	1	
18 NY105041	Nut nyloc	2	
19 FS105107	Screw flanged	2	
20 ERR2084	Meter air flow	1	
21 SH108151L	Screw	3	
22 WJ108001	Washer plain	3	
23 ERR2706	Bracket air flow meter	1	
24 FN108041L	Nut flanged	4	
25 FS108161L	Screw flanged	2	
26 ERR2707	Bracket boost pres sensor	1	
27 NY106041L	Nut nyloc	2	
28 WA106001L	Washer plain	2	

**Model** RANGE ROVER 1992 onwards  
**Page** BDBNKA1A

**ENGINE - FUEL LIFT PUMP - 300TDI**

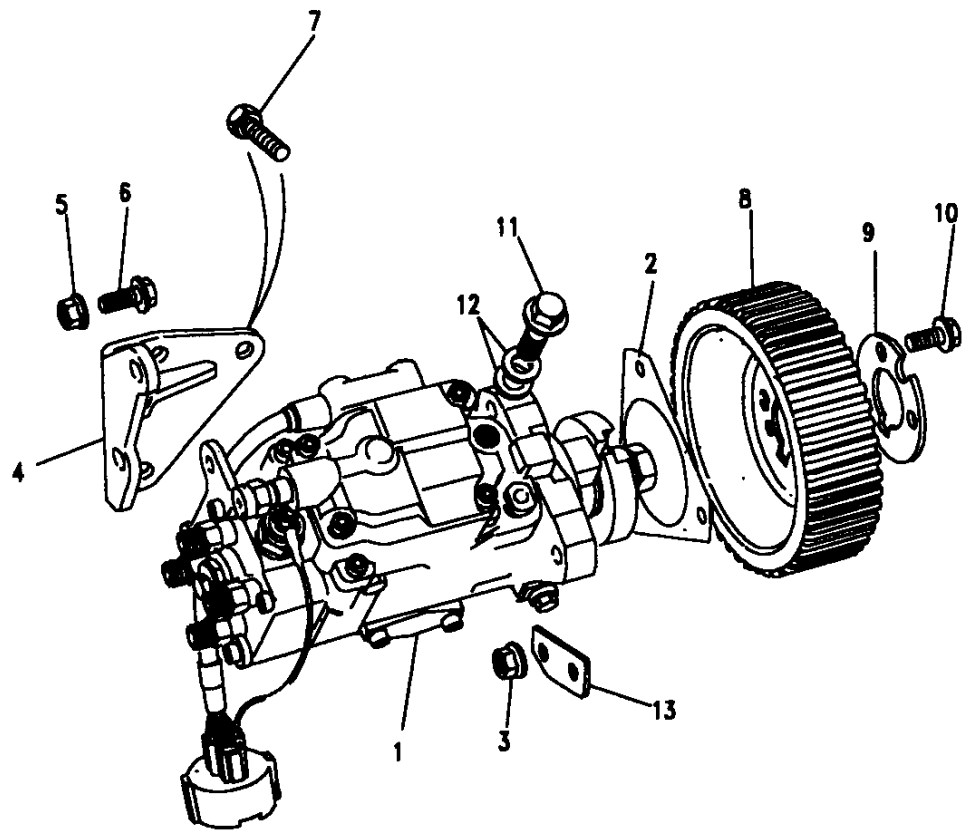
III. Part No.	Description	Qty	Remarks
1 ERR5057	Pump fuel	1	
2 ERR2028	Gasket pump to side cover	1	
3 FS108301L	Bolt	2	



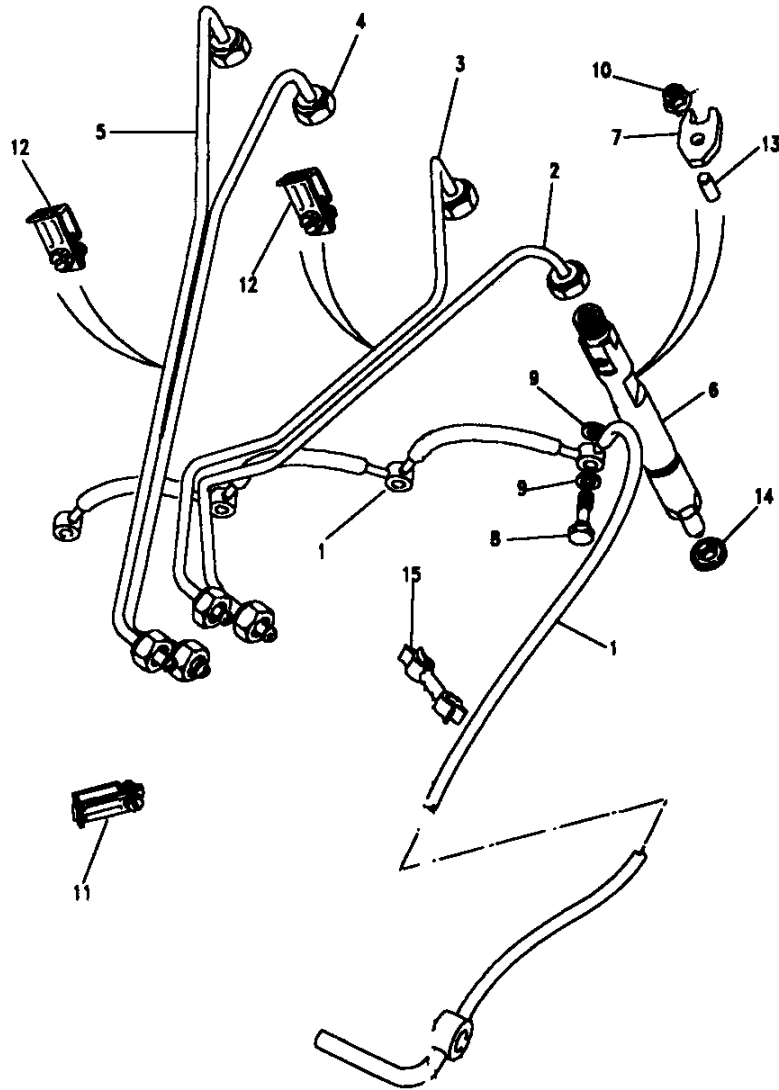


**Model** RANGE ROVER 1992 onwards  
**Page** BDBNKC1A

**ENGINE - INJECTION PUMP - 300TDI**



III. Part No.	Description	Qty	Remarks
1	ERR4419	1	Detoxed
	ERR3336	1	EDC
	ERR4046	1	EGR
	RTC6702	1	Switch fuel cut off
2	ERR2023	1	Gasket
3	FN108041L	3	Nut flanged
4	ERR4725	1	Bracket FIE
	ERR1604	1	Bracket FIE
			Auto
5	FN108041L	2	Nut flanged
6	FS108201L	2	Screw flanged
7	FB108101	3	Bolt flanged
8	ERR3545	1	Pulley
9	ERR2216	1	Plate retaining pulley
10	FS108161L	3	Screw flanged
11	ERR886	1	Bolt banjo
12	ERR894	2	Washer copper
13	ERC9404	1	Bracket
14	FB108051	3	Bolt flanged
15	ERR894	2	Washer copper
16	ERR1125	1	Bolt banjo
17	ERR4897	1	Lever kickdown
18	FS106121	1	Screw flanged
			)Detoxed
19	FS106201L	1	)auto
			)



**Model** RANGE ROVER 1992 onwards  
**Page** BDBNKE1A

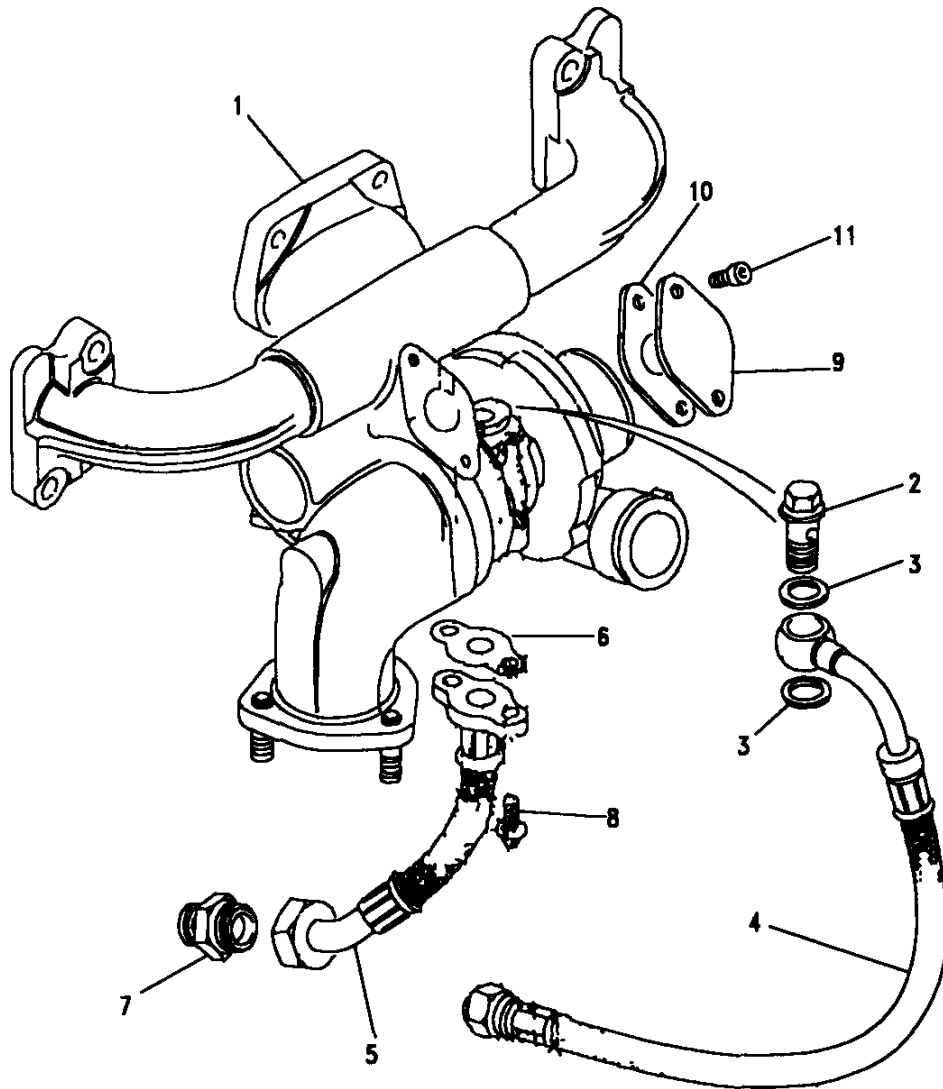
**ENGINE - INJECTORS AND PIPES - 300TDI**

III. Part No.	Description	Qty	Remarks
1	ERR3306	1	Spill return assembly
2	STC1694	1	Pipe injector No 1
3	STC1695	1	Pipe injector No 2
4	STC1696	1	Pipe injector No 3
5	STC1697	1	Pipe injector No 4
2	STC1698	1	Pipe injector No 1
3	STC1699	1	Pipe injector No 2
4	STC1700	1	Pipe injector No 3
5	STC1701	1	Pipe injector No 4
6	ERR3339	4	Injector
	ERR3337	1	Injector
	ERR3348	3	Injector
7	ERR3780	4	Clamp injectors
8	ERR1200	4	Bolt banjo 8mm
9	232042	8	Washer copper
10	FN108041L	4	Nut flanged
11	STC1738	2	Clip pipe
12	STC1739	2	Clip pipe
13	ERR3468	4	Pin injector clamp
14	ERR4621	4	Washer sealing
15	DCP7384L	1	Clip cable

**Model** RANGE ROVER 1992 onwards  
**Page** BDBNLA1A

**ENGINE - TURBOCHARGER - 300TDI**

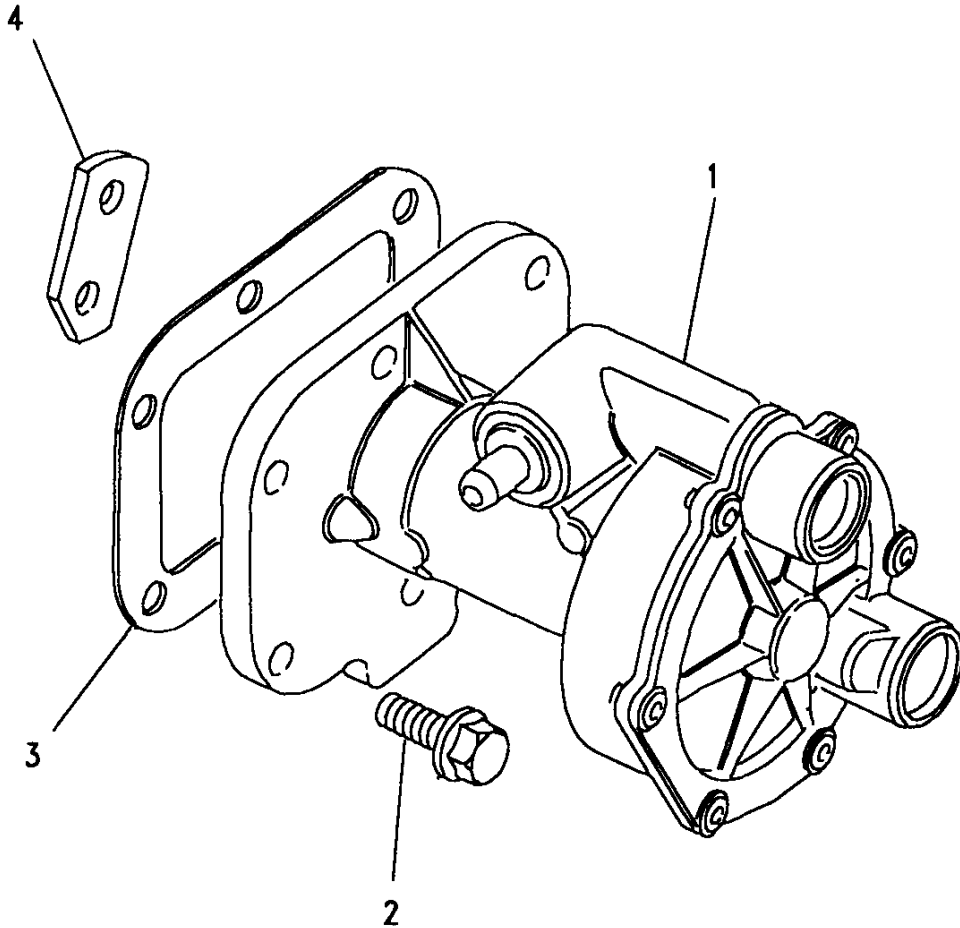
III. Part No.	Description	Qty	Remarks
1	ERR4802	1	Turbocharger & exh man
2	ERR1125	1	Bolt banjo oil feed
3	FRC4808	2	Washer
4	ERR4894	1	Pipe turbo oil feed
5	ERR4895	1	Pipe oil drain
6	ERR2109	1	Gasket oil drain pipe
7	ERR335	1	Adaptor oil drain
8	FS108201L	2	Screw flanged
9	ERR4698	1	Plate blanking turbo
10	ERR5455	1	Gasket blanking plate
11	SS108201	2	Screw socket



**Model** RANGE ROVER 1992 onwards  
**Page** BDBNNA1A

**ENGINE - VACUUM PUMP - 300 TDI**

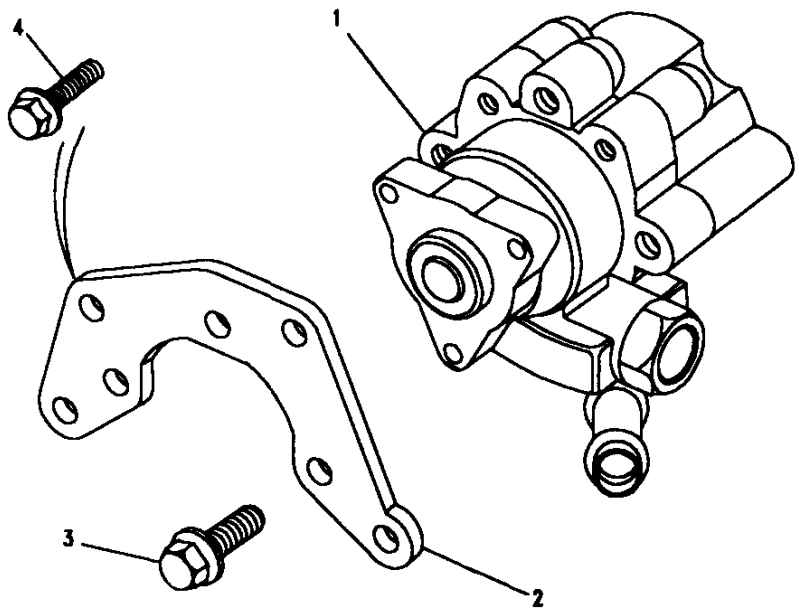
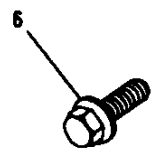
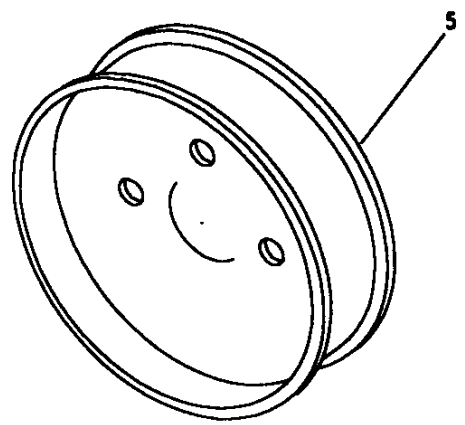
Ill. Part No.	Description	Qty	Remarks
1	ERR3539 Pump vacuum	1	
2	FS108201L Screw	5	
3	ERR2027 Gasket vacuum pump	1	
4	ERC9404 Bracket mounting	1	



**Model** RANGE ROVER 1992 onwards  
**Page** BDBNNC1A

**ENGINE - POWER STEERING PUMP - 300TDI**

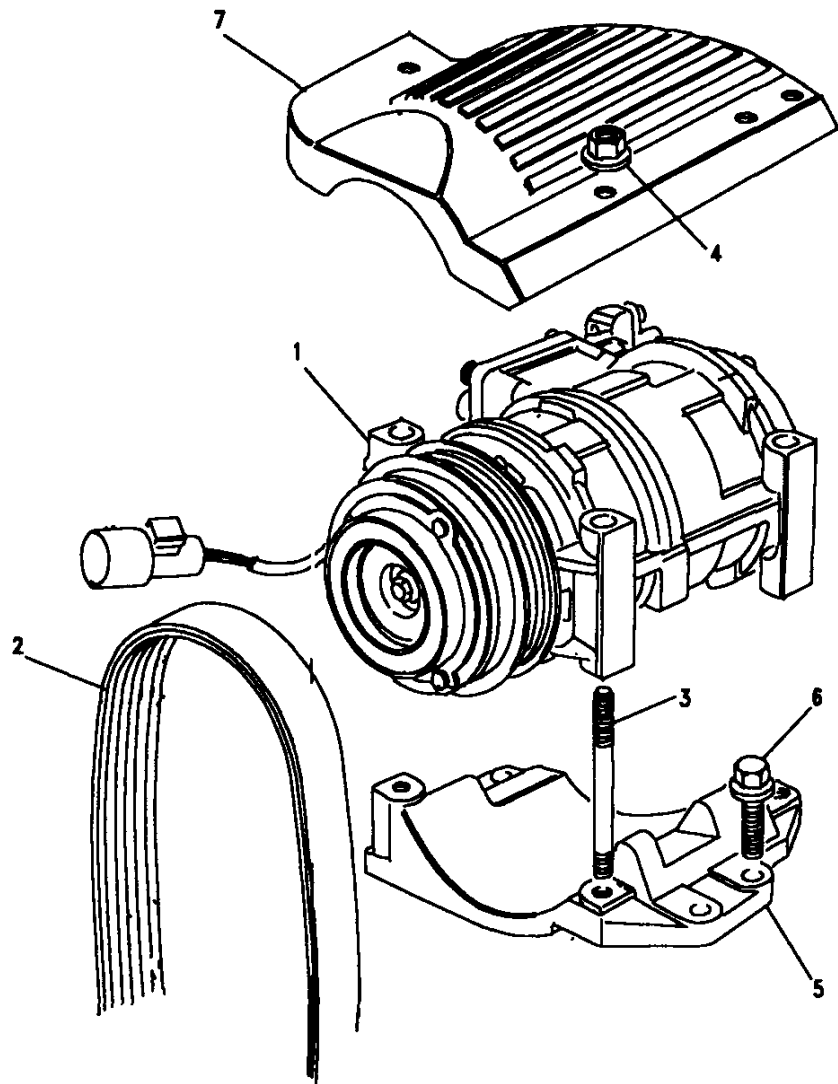
Ill. Part No.	Description	Qty	Remarks
1	ANR2157	1	Pump power steering
2	ERR2228	1	Bracket mounting
3	FS108161L	3	Screw flanged
4	FS108201L	4	Screw M8x20mm
5	ERR3733	1	Pulley pump
6	FS108121	3	Screw flanged

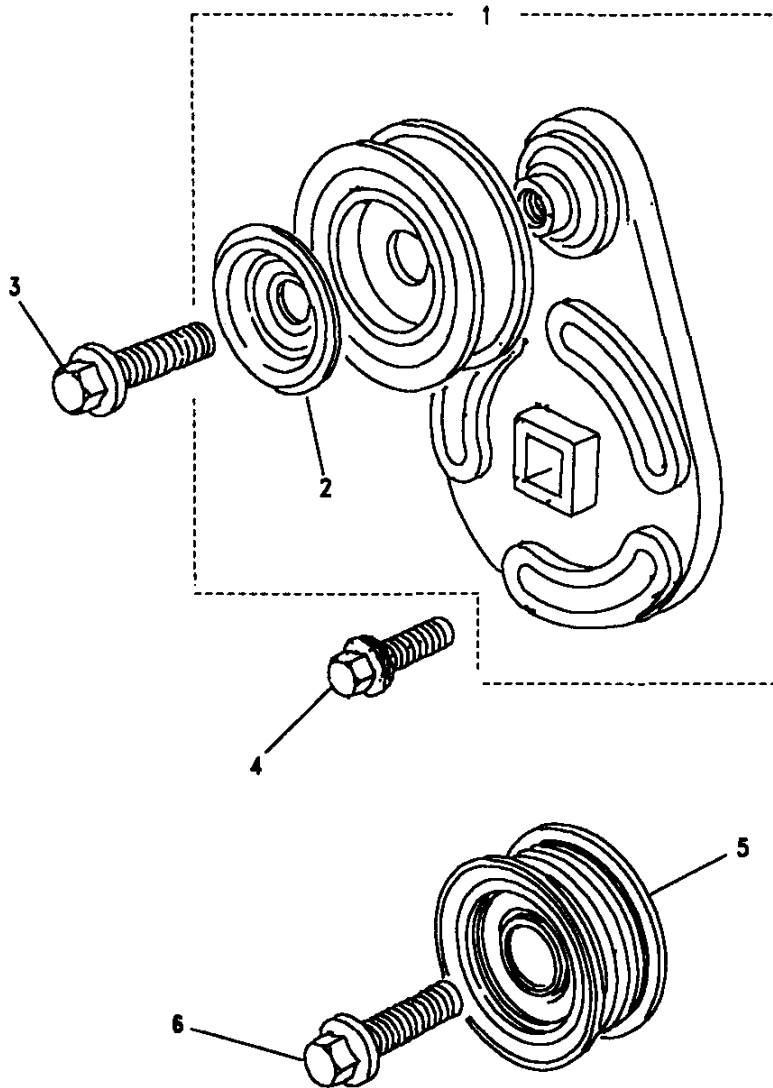


**Model** RANGE ROVER 1992 onwards  
**Page** BDBNNE1A

**ENGINE - AIR CONDITIONING COMPRESSOR - 300TDI**

III. Part No.	Description	Qty	Remarks
1	BTR4717	1	Compressor
2	ERR2215	1	Belt driving
3	TE108181	3	Stud
4	FN108041L	3	Nut
5	ERR4975	1	Bracket a/con compressor
6	FS110301	4	Screw flanged
7	ERR4639	1	Guard air con belt
8	FN108041L	3	Nut flanged





**Model** RANGE ROVER 1992 onwards

**Page** BDBNNE2A

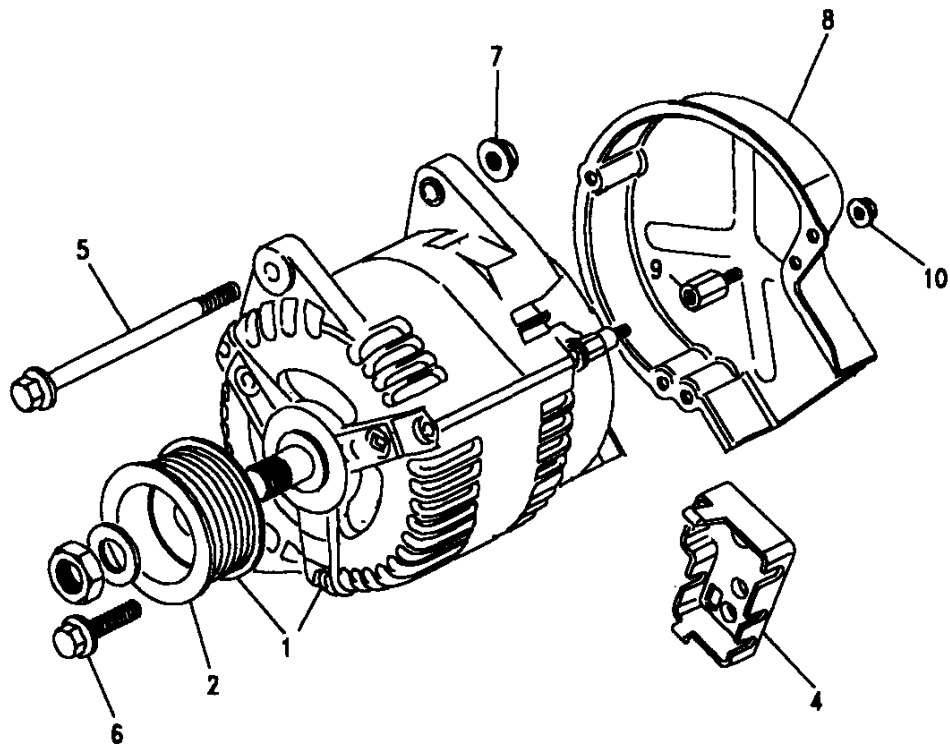
**ENGINE - AIR CONDITIONING IDLERS - 300TDI**

Ill. Part No.	Description	Qty	Remarks
1 ERR4543	Tensioner belt	1	
2 ERR3807	Dust cover	1	
3 FS110301	Screw flanged	1	
4 FS108251L	Screw	3	
5 ERR2798	Pulley idler	1	
6 FS110301	Screw flanged	1	

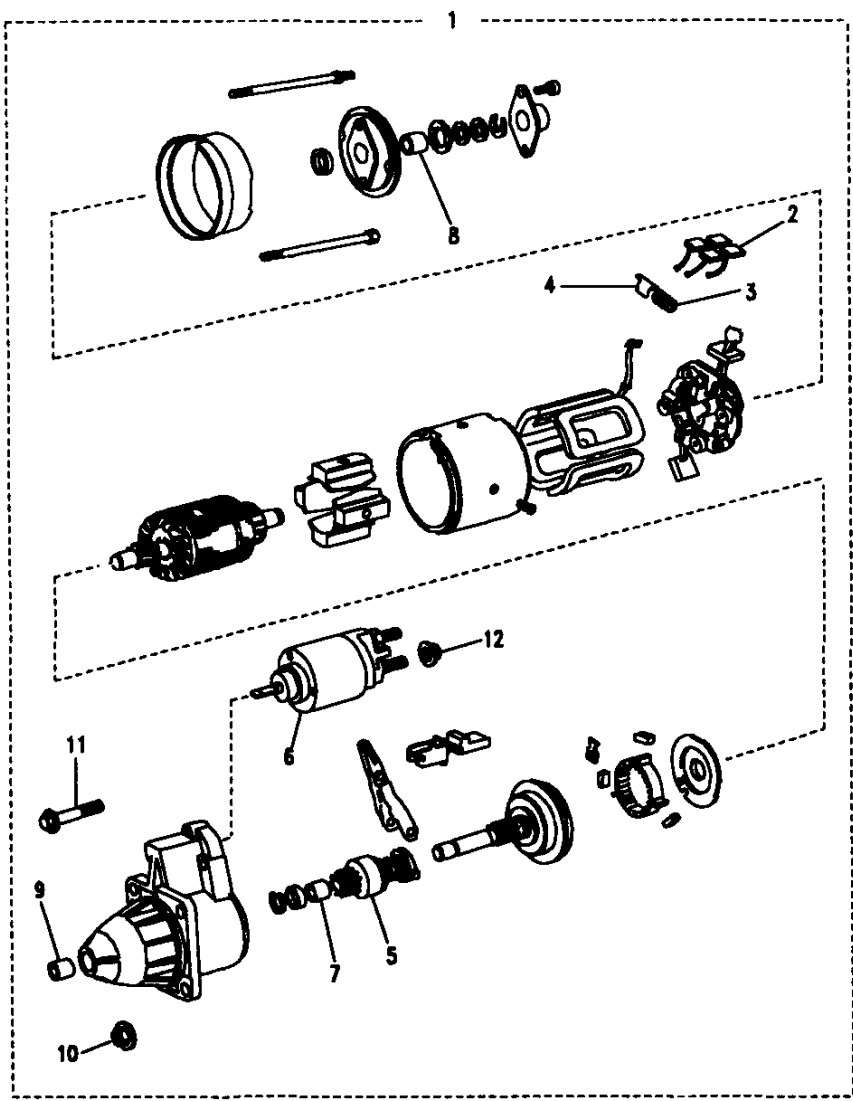
**Model** RANGE ROVER 1992 onwards  
**Page** BDBNPC1A

**ENGINE - ALTERNATOR - 300TDI**

III. Part No.	Description	Qty	Remarks
1 YLE10113	Alternator	1	
2 STC1796	Pulley	1	
3 AMR2218	Nut/washer alternator	2	
4 AMR2263	Cover terminal	1	
5 FB108251	Bolt flanged	1	
6 FS108301	Screw flanged	1	
7 FX108047	Nut flanged	1	
8 ERR4859	Heatshield alternator	1	
9 ERR5189	Spacer	3	
10 FN105041	Nut flanged	2	







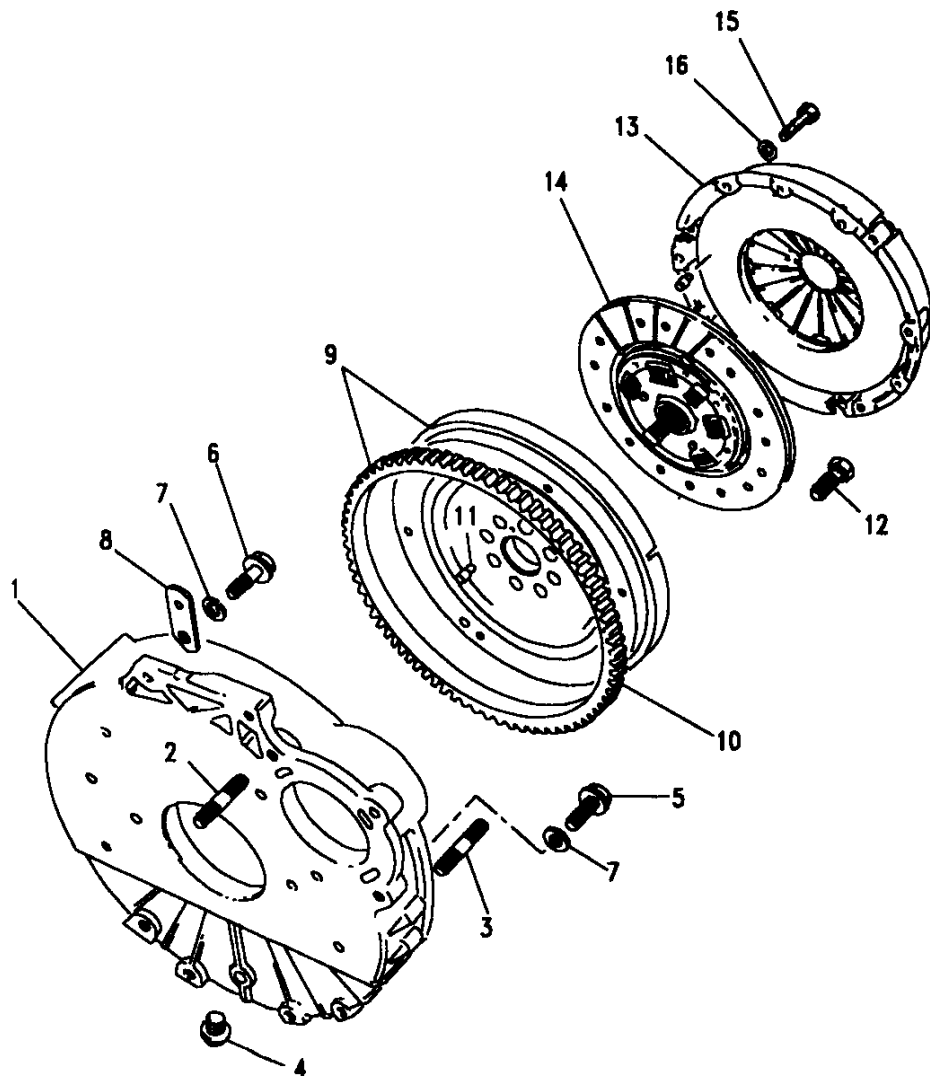
**Model** RANGE ROVER 1992 onwards  
**Page** BDBNPE1A

**ENGINE - STARTER MOTOR - 300TDI**

III. Part No.	Description	Qty	Remarks
1	ERR5009	1	Starter motor
2	STC1246	1	Brush set
3	STC1254	4	Spring compression
4	STC1247	4	Guide brush
5	STC1244	1	Drive assembly
6	STC1245	1	Solenoid
7	STC1250	2	Bush
8	STC1251	1	Bush
9	STC1255	1	Bush
10	FN110041L	1	Not flanged
11	FS110301L	2	Screw flanged
12	FN108041L	1	Nut flanged

**Model** RANGE ROVER 1992 onwards  
**Page** BDBNRA1A

**ENGINE - FLYWHEEL AND CLUTCH - 300TDI**

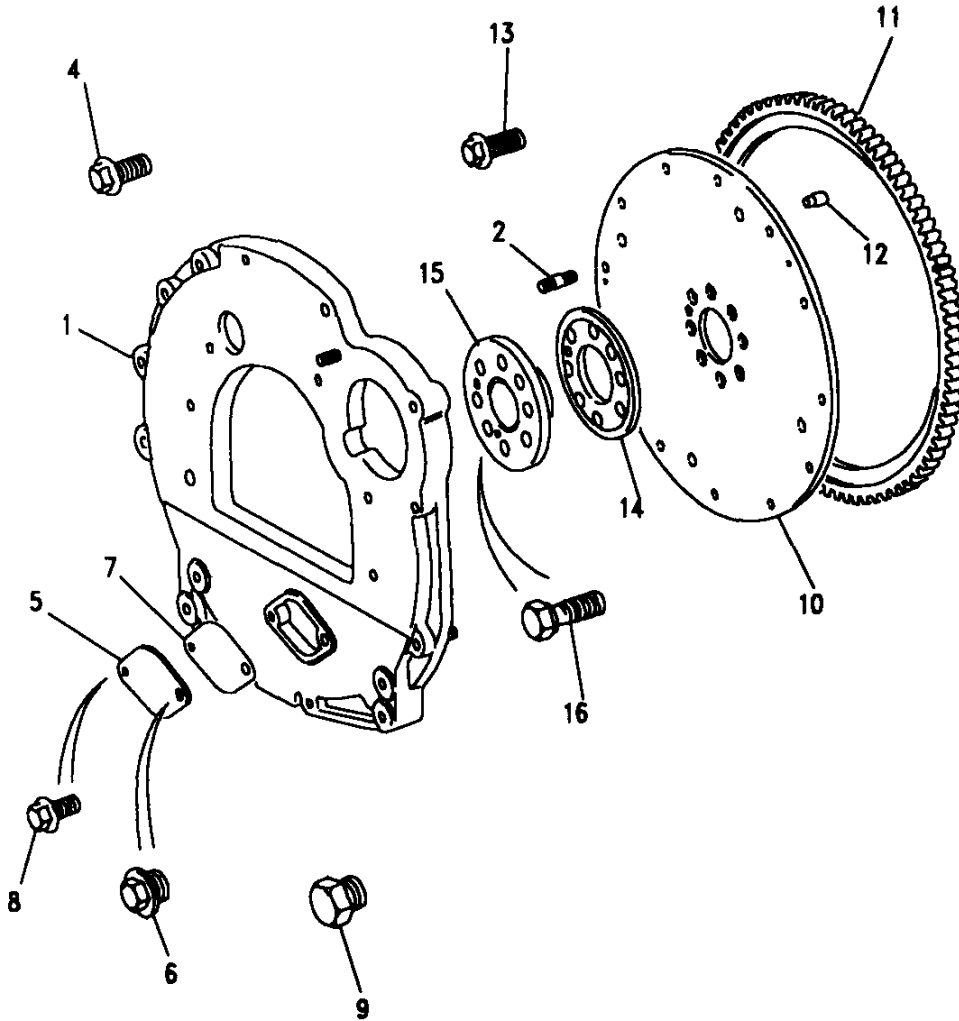


III. Part No.	Description	Qty	Remarks
1	ERR4718	1	EGR & Detox
	ERR4717	1	EDC
2	TE110061L	9	
3	TE110051L	1	
4	ERC7295	1	
5	FS110301L	6	
6	FB110071L	2	
7	FB110141L	4	
8	WA110061L	2	
9	AMR3755	1	
10	ERR719	1	
11	568431	1	
	502116	3	
12	ERR4574	8	
13	FTC575	1	
14	FTC4204	1	
15	SX108201L	6	
16	WL108001L	6	

Model RANGE ROVER 1992 onwards  
 Page BDBNRA2A

ENGINE - ADAPTOR HOUSING AUTO - 300TDI

III. Part No.	Description	Qty	Remarks
1	ERR1616	1	
2	TE110071L	3	
3	AMR3754	1	
4	FS110301L	6	
5	ERR1618	1	
6	ERR1617	1	
7	ERR1619	1	
8	FS108201L	1	
9	ERC7295	1	
10	FTC4050	1	EGR & Detox
	FTC4052	1	EDC
11	ERR4829	1	
	529364	2	
12	FS108161ML	12	
13	FS108161ML	12	
14	FTC4213	1	
15	FTC4557	1	
16	ERR4574	8	



**MASTER INDEX**

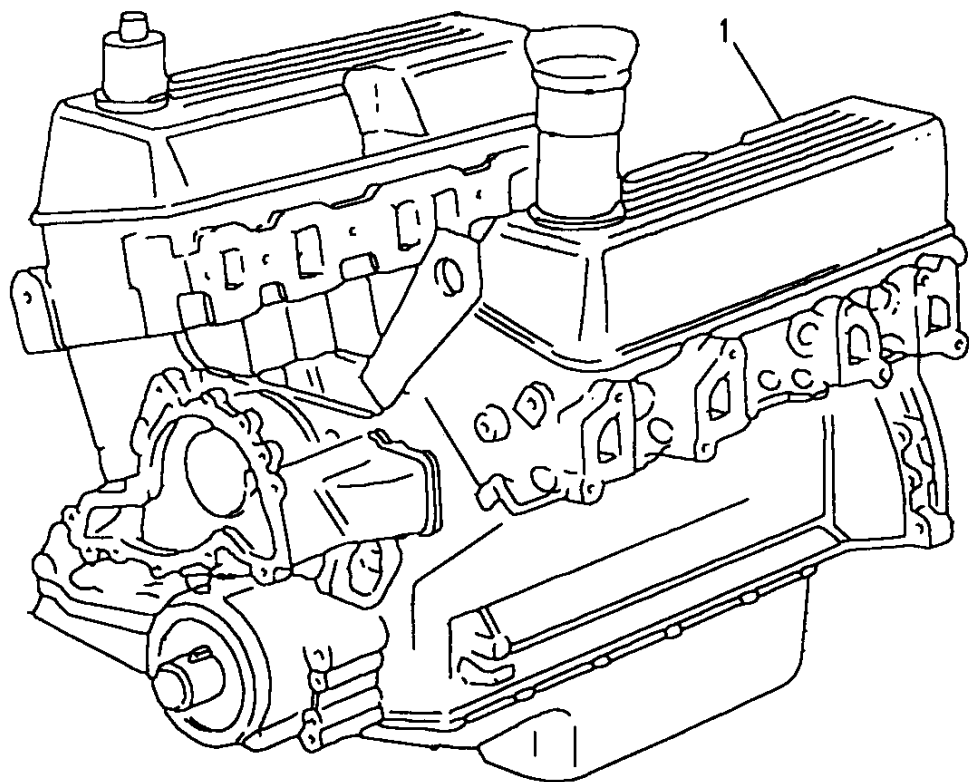
	PAGES
INTRODUCTION PAGES	1 - 3
ALPHABETICAL INDEX	4 - 9
ENGINE	10 - 50
ENGINE	51 - 88
ENGINE	89 - 133
ENGINE	134 - 172
GEARBOX	173 - 194
GEARBOX	195 - 211
GEARBOX	212 - 238
TRANSFER BOX	239 - 252
AXLES AND SUSPENSION	253 - 313
STEERING	314 - 332
VEHICLE AND ENGINE CONTROLS	333 - 343
BRAKES	344 - 374
FUEL SYSTEM AND AIR CLEANER	375 - 401
EXHAUST SYSTEM	402 - 409
COOLING/HEATING	410 - 456
BODY ELECTRICAL	457 - 574
BODY AND CHASSIS	575 - 681
INTERIOR TRIM	682 - 772
SEATS	773 - 843
SEATS	844 - 862
STOWAGE	863 - 865
ACCESSORIES - PAINTS	866 - 893
NUMERICAL INDEX	895 - 958

**GROUP B**
**ENGINE**
**ENGINE**

ENGINE STRIPPED - EFI	90
ENGINE SHORT - EFI	91
CYLINDER BLOCK - EFI	92
CRANKSHAFT - EFI	93 - 94
PISTON & RINGS - EFI	95
OIL SUMP - EFI	96
MOUNTINGS - DIPSTICK - EFI	97 - 98
FRONT COVER - EFI	99
WATER PUMP - EFI	100
VISCOUS DRIVE & FAN - EFI	101
OIL PUMP - EFI	102
CYLINDER HEAD - EFI	103 - 104
ROCKER SHAFT - EFI	105
ROCKER COVER - EFI	106
CAMSHAFT - EFI	107
INLET MANIFOLD - EFI	108 - 109
EXHAUST MANIFOLD - EFI	110
FUEL INJECTORS - EFI	111
PLENUM CHAMBER - EFI	112
PLENUM CHAMBER - EFI - CONTINUED	113
RAM PIPES HOUSING - EFI	114
ACCELERATOR LINKAGE - EFI	115
GASKET KIT - EFI	116
POWER STEERING PUMP - EFI	117
COMPRESSOR ASSEMBLY - EFI	118 - 119
DISTRIBUTOR - EFI	120 - 122
IGNITION COIL - EFI	123
HIGH TENSION LEADS - EFI	124 - 125
ALTERNATOR - EFI	126 - 128
ALTERNATOR MOUNTING - EFI	129
STARTER MOTOR - EFI	130 - 131
FLYWHEEL & CLUTCH - EFI	132
DRIVE PLATE - EFI	133

**Model** RANGE ROVER 1992 onwards  
**Page** BDBRAC1A

**ENGINE - ENGINE STRIPPED - EFI**



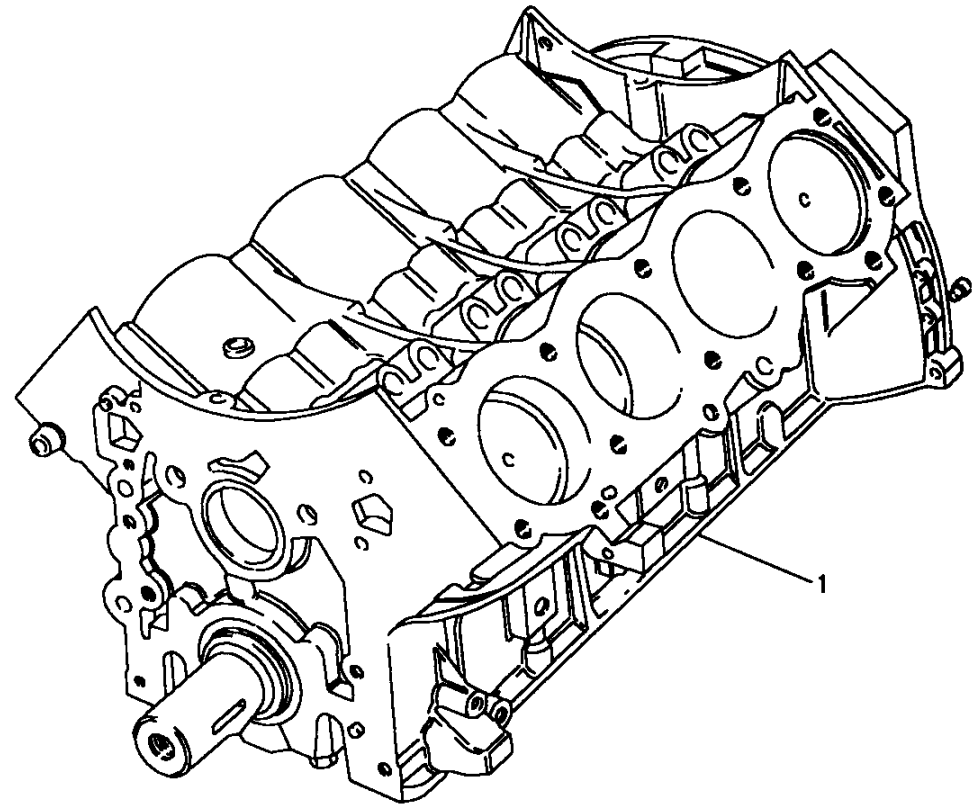
III. Part No.	Description	Qty	Remarks
1 STC1101N	Engine stripped 3.9 LITRE	1	Note(1)
STC1862N	Engine stripped 3.9 LITRE	1	Note(1)(4)
RTC6414R	Engine stripped-recon	1	
STC1102N	Engine stripped 3.9 LITRE	1	Note(2)
STC1861N	Engine stripped 3.9 LITRE	1	Note(2)(4)
RTC6748R	Engine stripped-recon	1	
STC1106N	Engine stripped 4.2 LITRE	1	Note(3)
STC1860N	Engine stripped 4.2 LITRE	1	Note(3)(4)

Note(1)  
 Note(2)  
 Note(3)  
 Note(4)  
 Note(5)

37D Manual 38D Auto are 8.13:1  
 35D Manual 36D Auto are 9.35:1  
 40D Auto 8.94:1  
 Engine has front cover with integral oil pump from VIN MA650326  
 Less electrics,water pump,manifold,plenum chamber, ram pipes and housing,fuel injectors,engine mountings, flywheel,power steering pump,air compressor etc.

**Model** RANGE ROVER 1992 onwards  
**Page** BDBRAE1A

**ENGINE - ENGINE SHORT - EFI**

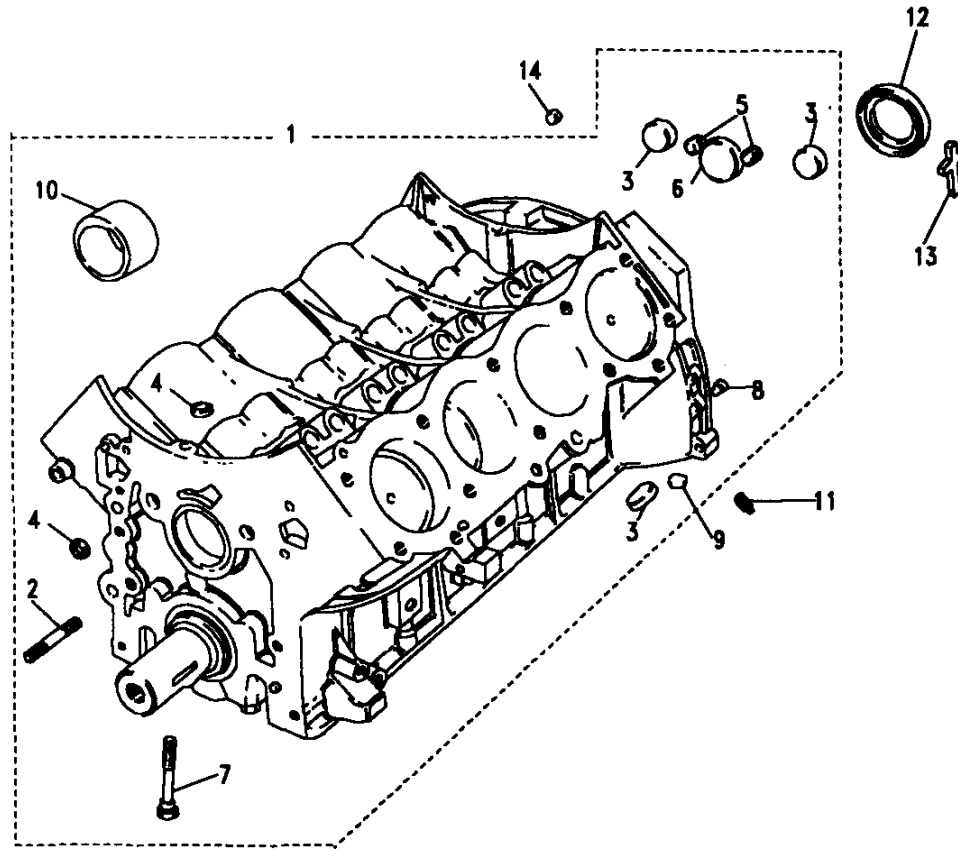


III. Part No.	Description	Qty	Remarks
1 ETC7801	Engine short 3.9 Low/C	1	37D 38D
ERR4170	Engine short 3.9 Low/C	1	37D 38DNote(2)
ERR514	Engine short 3.9 High/C	1	35D 36D
ERR4165	Engine short 3.9 High/C	1	35D 36DNote(3)
ERR3400	Engine short 4.2 Litre	1	40D
ERR4171	Engine short 4.2 Litre	1	40D Note(4)

Note(1) Comprising - cylinder block,crankshaft,pistons, connecting rods etc.  
 Note(2) From engine number 38D27238B, 37D02090B  
 Note(3) From engine number 35D08928B, 36D25155B  
 Note(4) From engine number 40D09582B

**Model** RANGE ROVER 1992 onwards  
**Page** BDBRBA2A

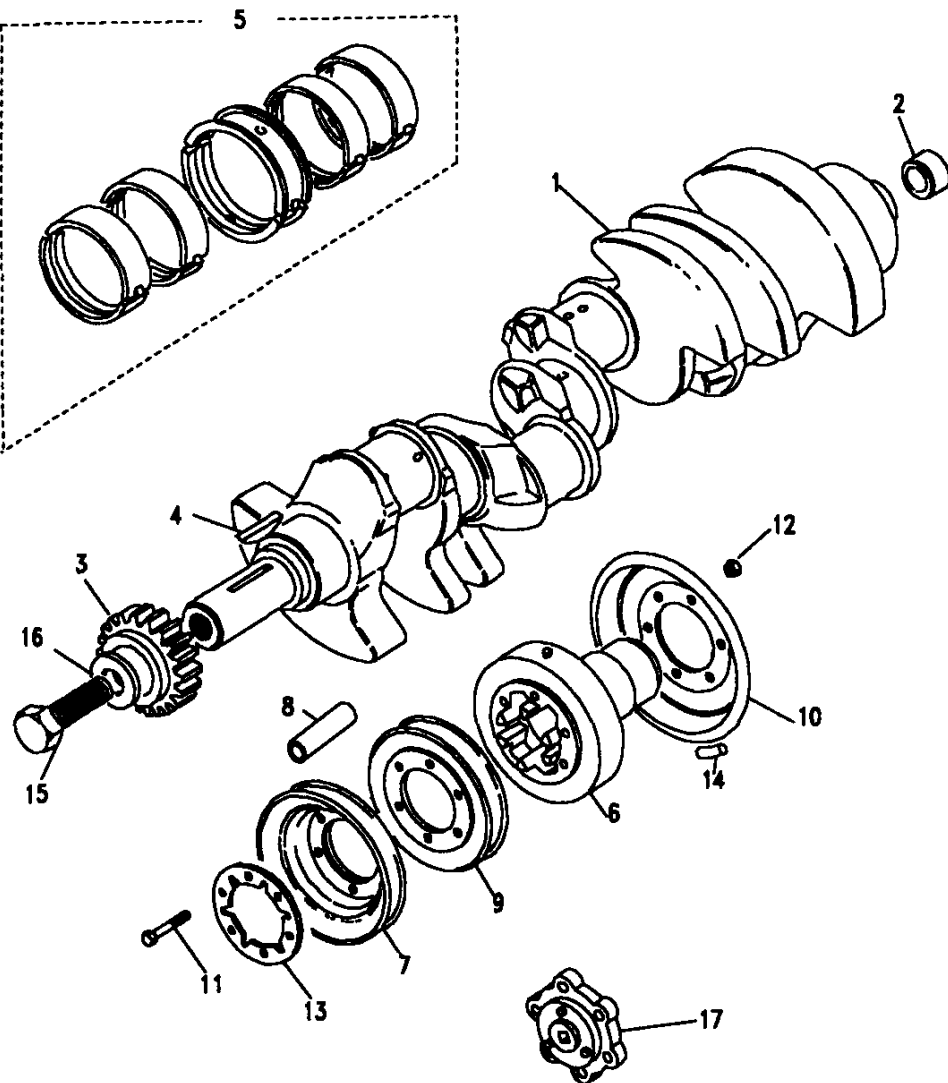
**ENGINE - CYLINDER BLOCK - EFI**



III. Part No.	Description	Qty	Remarks
1	ETC7802	1	
2	252513	1	
3	602152	8	
4	602147	4	
5	602212	2	
6	602146	1	
7	602130	10	
8	602141	2	
9	612898	2	
10	RTC5918	1	
1	ERR4166	1	Note(2)
3	602152	8	
7	602130	10	
11	602915	2	
	3290	2	
12	ERR2640	1	Note(1)
13	611089	2	Note(1)
14	154545	1	

Note(1)  
 Note(2)

Part of gasket kit RTC5252  
 From engine numbers 35D08928B, 36D25155B, 37D02090B, 38D27238B  
 and 40D09582B



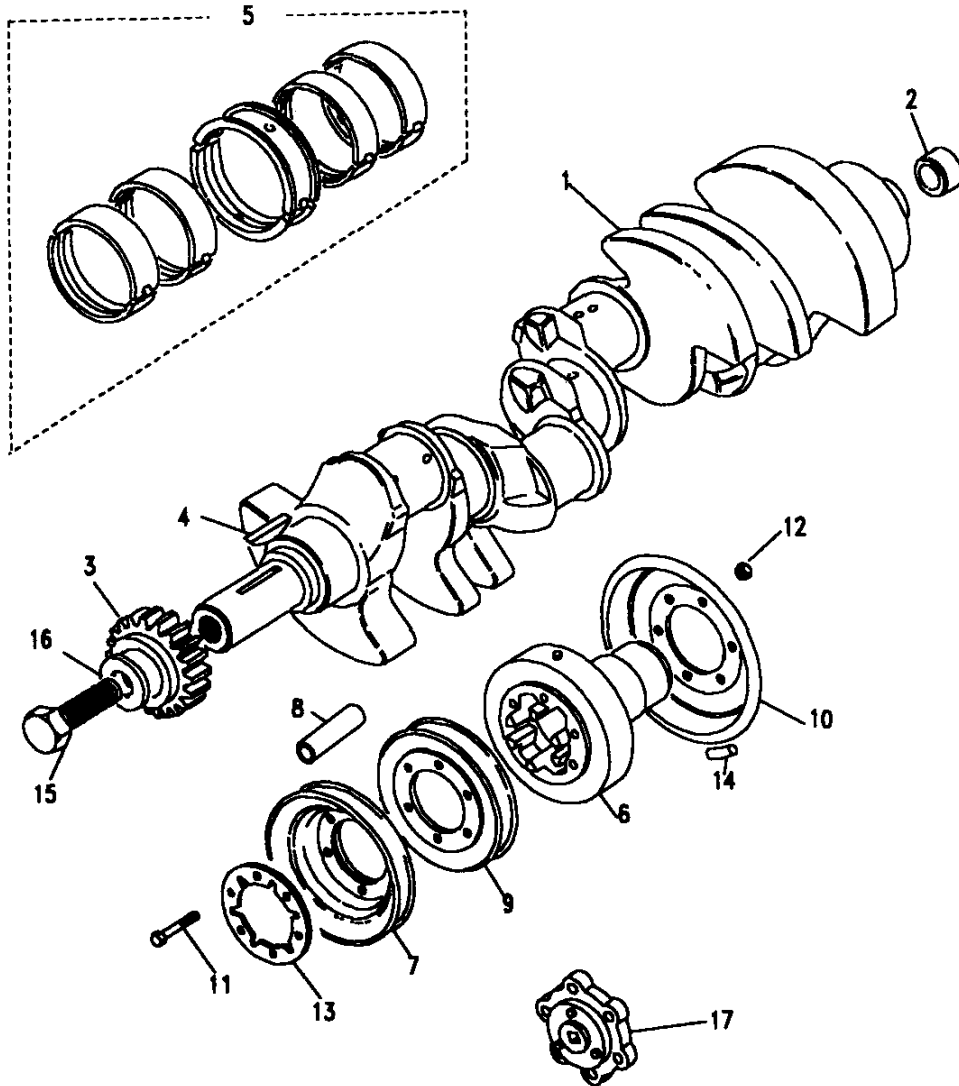
**Model** RANGE ROVER 1992 onwards  
**Page** BDBRCA2A

**ENGINE - CRANKSHAFT - EFI**

Ill. Part No.	Description	Qty	Remarks
1	612989 Crankshaft	1	
	ERR4060 Crankshaft 3.9	1	Note(2)
	ERR3037 Crankshaft-4.2	1	40D
	ERR4152 Crankshaft 4.2	1	Note(3)
2	549911 Bush-primary shaft	1	
3	90602372 Sprocket	1	
	ERR2958 Sprocket crankshaft	1	Note(4)
4	90602025 Key	1	
	ERR2846 Key crankshaft	1	Note(4)
5	RTC1718 Kit-bearing-standard	1	Note(1)
	RTC171810 Kit-bearing .010 U/S	1	
	RTC171820 Kit-bearing .020 U/S	1	
6	ETC7339 Damper torque	1	
	ERR3442 Damper torque	1	Note(2)
	ERR4594 Damper torque	1	Note(3)
7	ETC5679 Pulley water pump/alt	1	Upto JA624755
	ERR2799 Pulley water pump/alt	1	From KA624756
	ERR4866 Pulley crankshaft	1	Note(4)
8	603535 Dowel spring pin	1	
9	ETC4330 Pulley-steering pump	1	

Note(1) Latest condition has no thrust plate on bottom centre bearing.  
 Note(2) From engines 35D08967B, 36D25524B, 37D01932B, 38D27331B  
 Note(3) From engine 40D09582B  
 Note(4) From engines 35D08967B, 36D25524B, 37D01932B, 38D27331B and 40D09582B



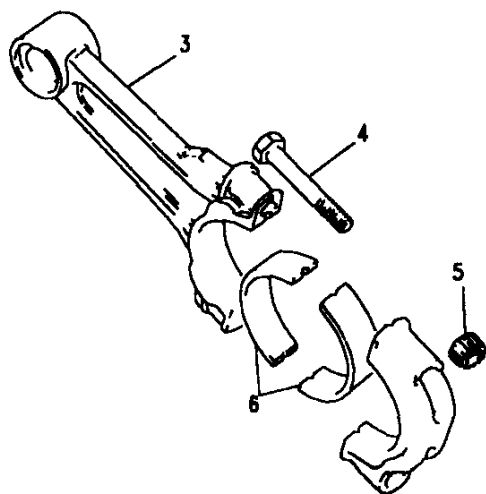
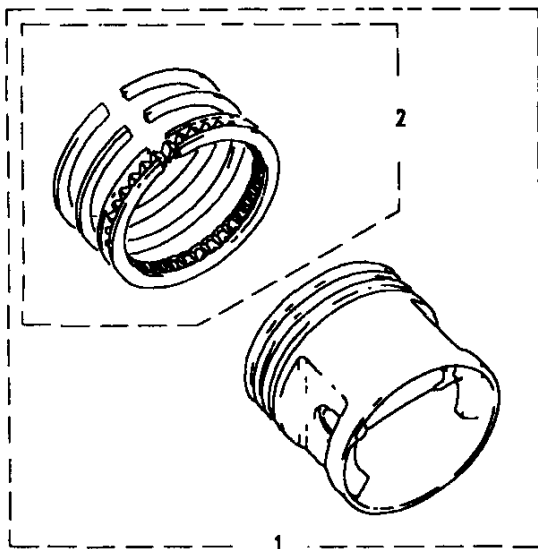


**Model** RANGE ROVER 1992 onwards  
**Page** BDBRCA2A

**ENGINE - CRANKSHAFT - EFI**

Ill. Part No.	Description	Qty	Remarks
10	ETC7996	1	Balancing rim
11	BH605131L	6	Bolt 5/16"UNFx1.5/8"
12	NH605041L	6	Nut
13	602587	1	Plate reinforcing
14	ERC4877	1	Balance weight .17oz
	ERC4878	1	Balance weight .35oz
	ERC4879	1	Balance weight .53oz
	ERC4880	1	Balance weight .71oz
15	ERC417	1	Bolt
16	ERC416	1	Washer plain
	611612	1	Belt drive water pump
<b>Police vehicles</b>			
17	ETC7419	1	Adaptor-crank-pulley
	ERR2773	1	Adaptor-crank-pulley
	ETC7339	1	Damper torque
	ETC4330	1	Pulley-water pump
	ERR2671	1	Pulley-water pump
	ETC6647	1	Pulley-steering pump
	603535	1	Dowel spring pin
	613671	1	Deflector
	ETC7996	1	Balancing rim
	ERC675	1	Belt drive water pump

Note(1) Upto JA624755  
 Note(2) From KA624756



**Model** RANGE ROVER 1992 onwards  
**Page** BDBRCC1A

**ENGINE - PISTON & RINGS - EFI**

III. Part No.	Description	Qty	Remarks
1	STC908S	8	37D 38D
	STC64620	8	37D 38D
	STC909S	8	35D 36D
	STC64720	8	35D 36D
	STC1191S	8	40D Note(1)
2	RTC6066S	8	Kit piston rings std
3	602082	8	Con rod assembly
4	602609	2	Bolt
5	602061	2	Nut
<b>Con Rod Bearing Engine Set.</b>			
6	RTC2117	1	Bearing set standard
	RTC211710	1	Bearing set 0.010"
	RTC211720	1	Bearing set 0.020"

Note(1) Introduced to reduce pistons noise, pistons have offset gudgeon. Must be changed as COMPLETE SETS.

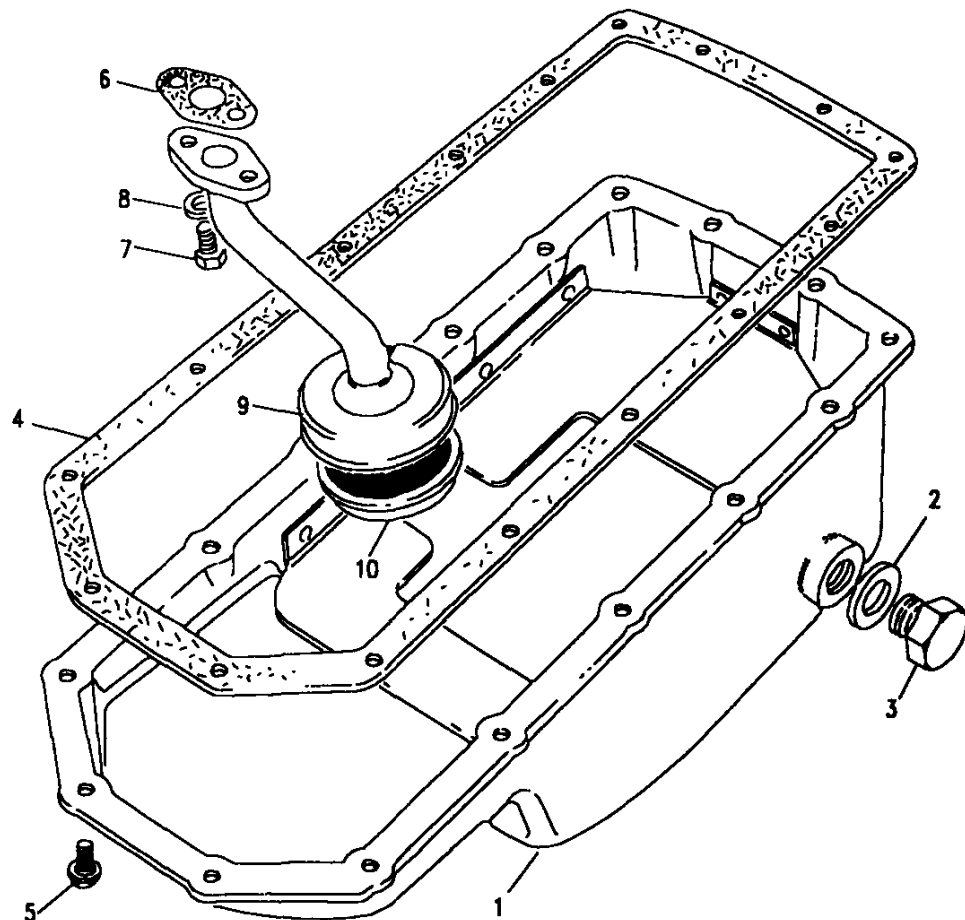
Model RANGE ROVER 1992 onwards

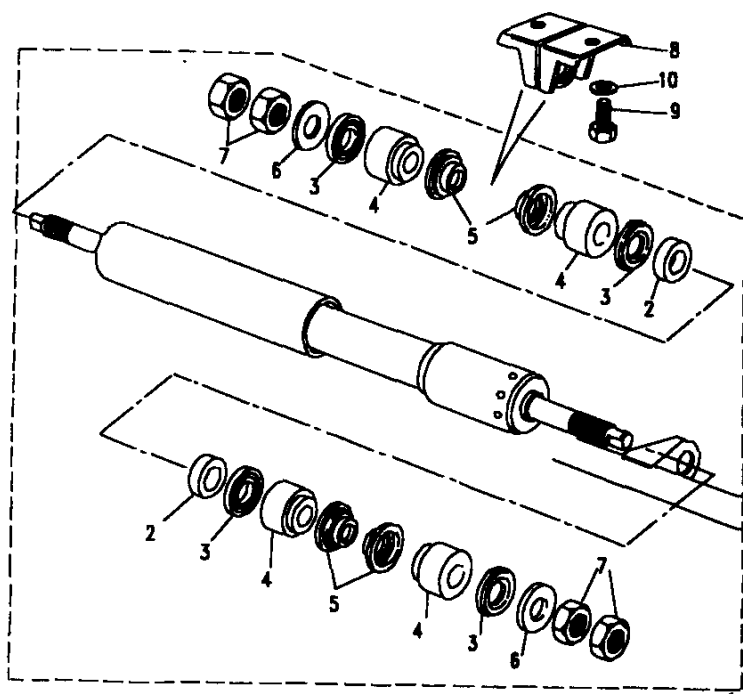
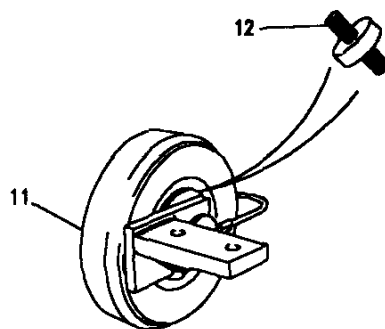
Page BDBRDA1A

ENGINE - OIL SUMP - EFI

III. Part No.	Description	Qty	Remarks
1	Sump	1	
2	Washer joint	1	Note(1)
3	Plug drain	1	
4	Gasket-joint sump-g/case	1	
5	Screw	16	
6	Gasket oil strainer	1	
7	screw	2	
8	Washer spring	2	
9	Pipe oil suction	1	
10	Screen	1	

Note(1) Part of gasket kit RTC5252



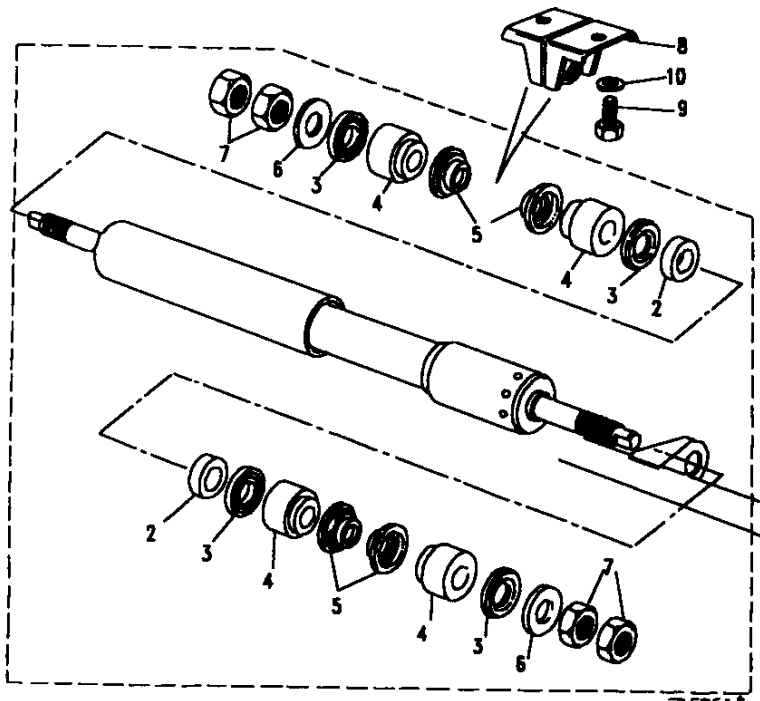
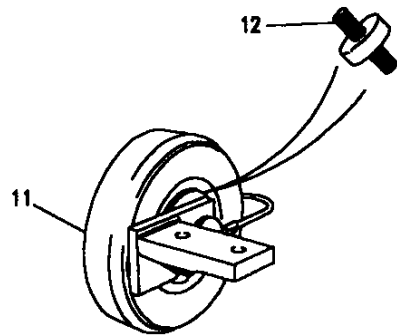


**Model** RANGE ROVER 1992 onwards  
**Page** BDBRDC1A

**ENGINE - MOUNTINGS - DIPSTICK - EFI**

Ill. Part No.	Description	Qty	Remarks
1	NRC1302	1	
	ANR2815	1	Note(3)
2	NRC3314	1	
	ANR2816	1	Note(3)
3	NTC4205	1	
4	RTC8115	2	
	STC434	2	Note(1)
	ANR2803	1	)Note(3)
	ANR2804	1	
	FX112041L	2	)
5	WC110061L	2	
6	WL110001L	4	
7	NH110041L	4	
8	SH505071L	2	
9	WM600051L	2	
10	SH507091L	4	
11	WM600071L	4	

Note(1) This mounting to be used to overcome splitting  
 Note(2) Part of gasket kit RTC5252  
 Note(3) From engines 35D08928B, 38D25155B, 37D02090B, 38D27238B and 40D09582B



**Model** RANGE ROVER 1992 onwards  
**Page** BDBRDC1A

**ENGINE - MOUNTINGS - DIPSTICK - EFI**

III. Part No.	Description	Qty	Remarks
12 ERR1922L	Rod-oil level	1	
13 ERR4556	Tube dipstick	1	
14 602545	O ring-tube	1	Note(2)
15 610489	Clip-tube-oil level rod	1	
16 AB610041L	Screw	1	
17 NTC4602	Heatshield exhaust	1	
18 SH604071L	Bolt	2	
19 WA106041L	Washer plain	2	
20 WM600041L	Washer spring	2	
21 NH604041L	Nut	2	

Note(1)

This mounting to be used to overcome splitting

Note(2)

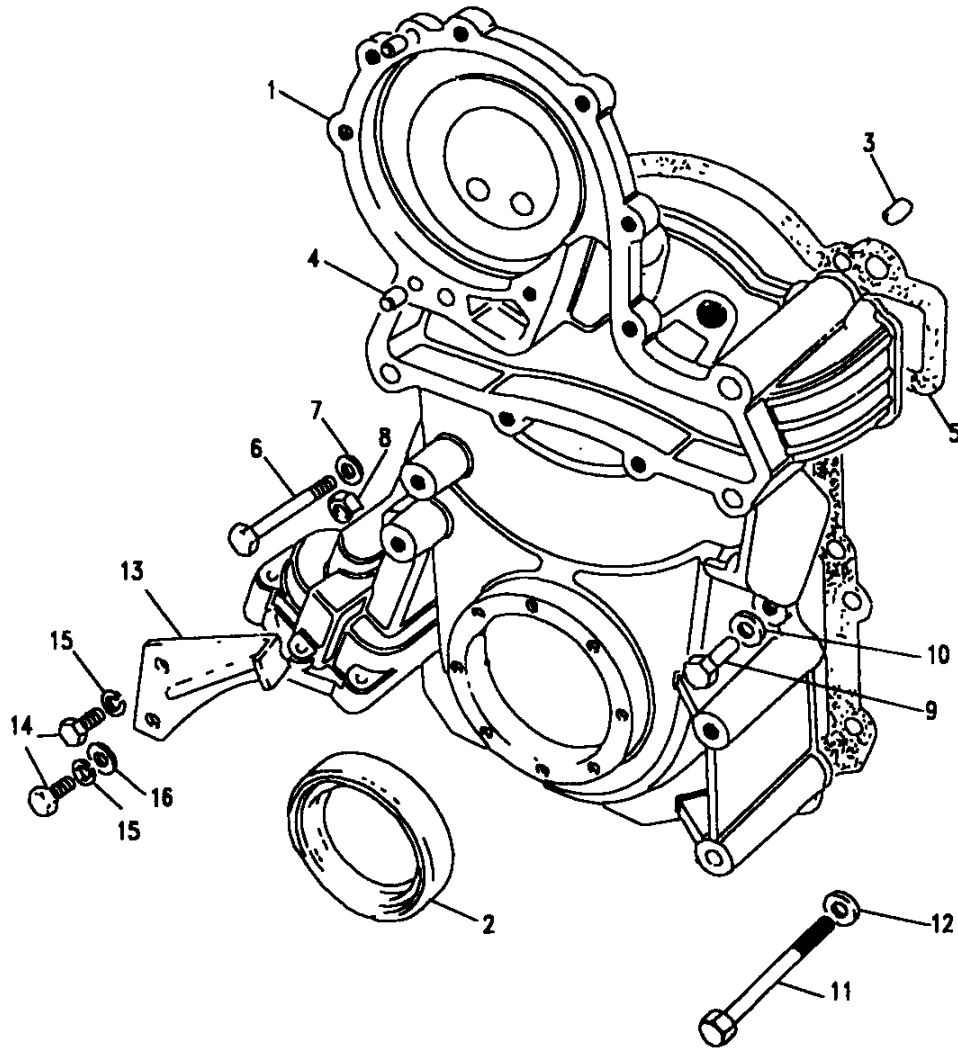
Part of gasket kit RTC5252

Note(3)

From engines 35D08928B, 36D25155B, 37D02090B, 38D27238B and 40D09582B

**Model** RANGE ROVER 1992 onwards  
**Page** BDBREA2A

**ENGINE - FRONT COVER - EFI**



III. Part No.	Description	Qty	Remarks
1	ETC7385	1	Cover front assembly
	ERR3434	1	Cover front assembly
	ERR5258	1	Cover front assembly
2	ERR1632	1	Oil seal
3	90602202	2	Dowel
4	602201	2	Dowel
	154545	1	Plug
5	ERR4936	1	Gasket front cover
	ERR4421	1	Gasket front cover
6	BH505241L	1	Bolt 5/16"UNC
	FB505251S	5	Bolt flanged
	FB505311S	1	Bolt flanged
	FB505381S	3	Bolt flanged
7	WA108051L	1	Washer plain
8	NH605041L	1	Nut 5/16"UNF
9	SH505091L	2	Screw 5/16"UNC x 1.1/8"
10	WA108051L	2	Washer plain
11	602388	1	Bolt
12	4075L	1	Washer plain
	252513	1	Stud 5/16x13/8
13	ETC7345	1	Timing pointer
14	FS504055	2	Screw flanged
15	WM600041L	2	Washer spring
16	RTC809	2	Washer plain

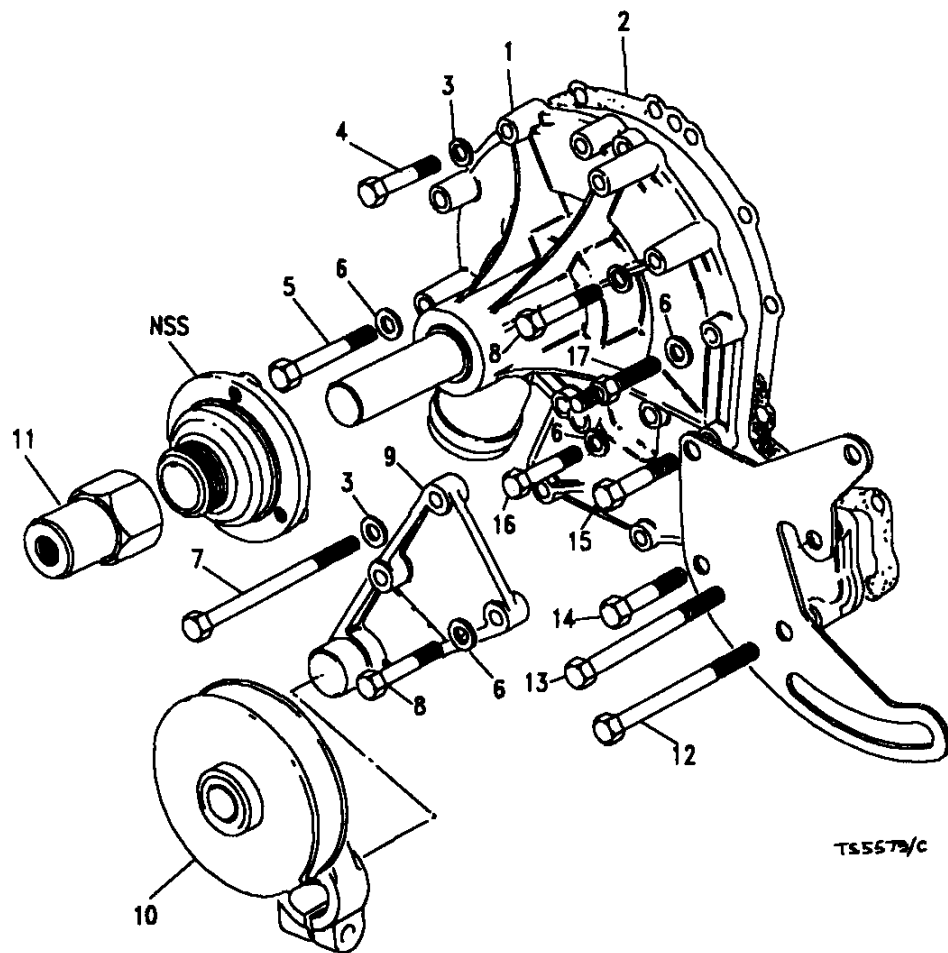
Note(1) Part of gasket kit RTC5252  
 Note(2) From engines 35D08928B, 36D25155B, 37D02090B, 38D27238B and 40D09582B.  
 Note(3) Front cover with integral oil pump fitted from VIN MA650326

**Model** RANGE ROVER 1992 onwards  
**Page** BDBREE1A

**ENGINE - WATER PUMP - EFI**

III. Part No.	Description	Qty	Remarks
1	STC483	1	Pump water
	STC1693	1	Pump water
2	ERR2428	1	Gasket pump/block
	ERR4077	1	Gasket pump/cover
3	WA108051L	4	Washer plain
4	SH504161L	1	Bolt
	BH505121L	2	Bolt
	FS108257	6	Screw flanged pump/cover
5	BH504161L	2	Bolt
6	WA106041L	6	Washer plain
7	BH505441L	1	Bolt
	BH505485L	1	Bolt
8	BH504151L	2	Bolt
9	ETC6148	1	Bracket mounting
10	614718	1	Arm mounting assembly
	ERR3767	1	Arm mounting assembly
11	ETC6104	1	Adaptor-viscous drive
12	BH505401L	1	Bolt
13	BH505381L	1	Bolt
14	BH504111L	1	Bolt
15	BH504121L	1	Bolt
16	BH504101L	1	Bolt

Note(1) Part of gasket kit RTC5252  
 Note(2) From engines 35D08928B, 36D25155B, 37D02090B, 38D27238B and 40D09582B.

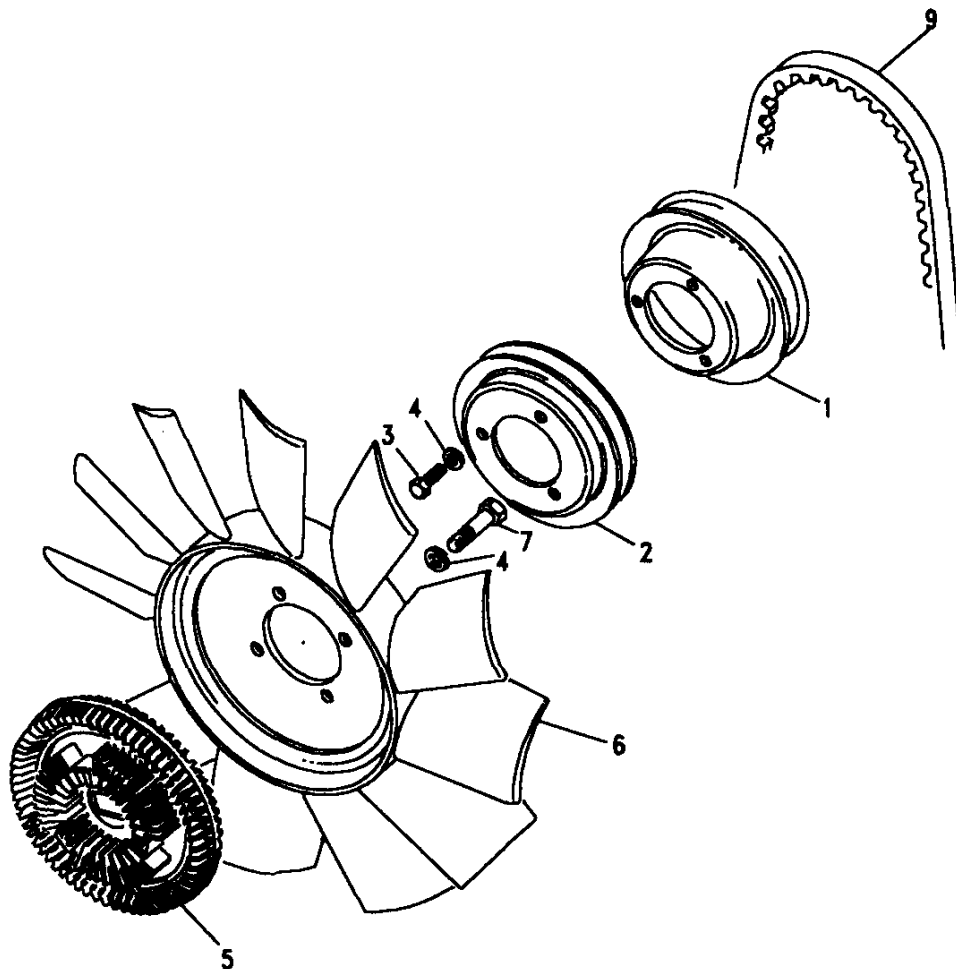


**Model** RANGE ROVER 1992 onwards  
**Page** BDBREG1A

**ENGINE - VISCOUS DRIVE & FAN - EFI**

III. Part No.	Description	Qty	Remarks
1 ETC5499	Pulley w/pump to crank	1	Non AIR CON
ETC5422	Pulley w/pump to crank	1	AIR CON
2 ETC5423	Pulley w/pump to comp	1	AIR CON
3 SH604051L	Screw 1/4" UNFx5/8"	1	
4 WA106041L	Washer plain	3	
5 ERC2849	Viscous drive	1	
4910L	Washer plain	1	
SH607101L	Bolt	1	
6 614739	Fan 7 Blades	1	
ETC1260	Viscous drive	1	Note(1)
ETC1275	Fan, 11 Blade	1	Note(1)
7 SH505051L	Screw, 5/16"UNC x 5/8"	4	
8 NY604041	Nut nyloc	4	
9 611612	Belt	1	Upto Note(2)
ERR4461	Belt non air con	1	Note(2)
ERR4623	Belt air con	1	Note(2)
ERC675	Belt	1	POLICE

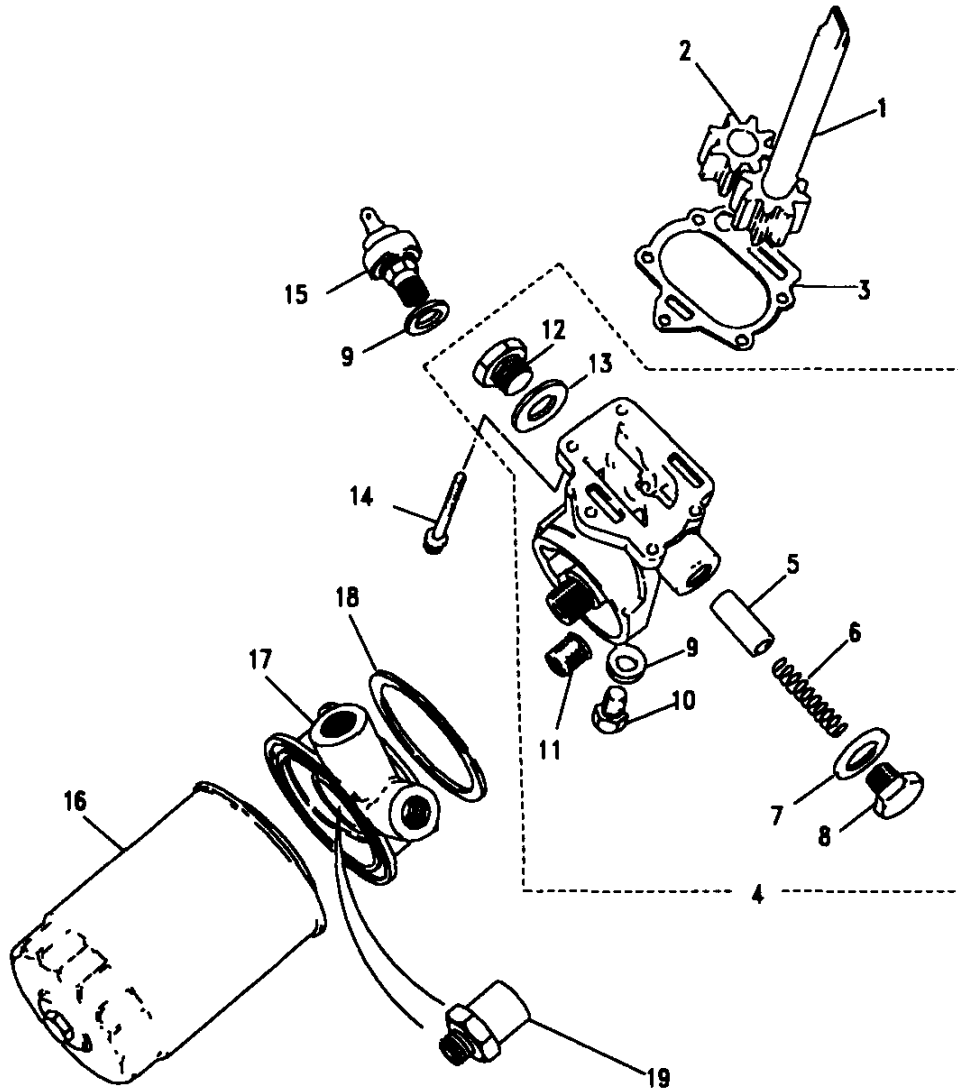
Note(1) Alternative for warmer countries  
 Note(2) From engines 35D08928B, 36D25155B, 37D02090B, 38D27238B and 40D09582B





**Model** RANGE ROVER 1992 onwards  
**Page** BDBRFA2A

**ENGINE - OIL PUMP - EFI**

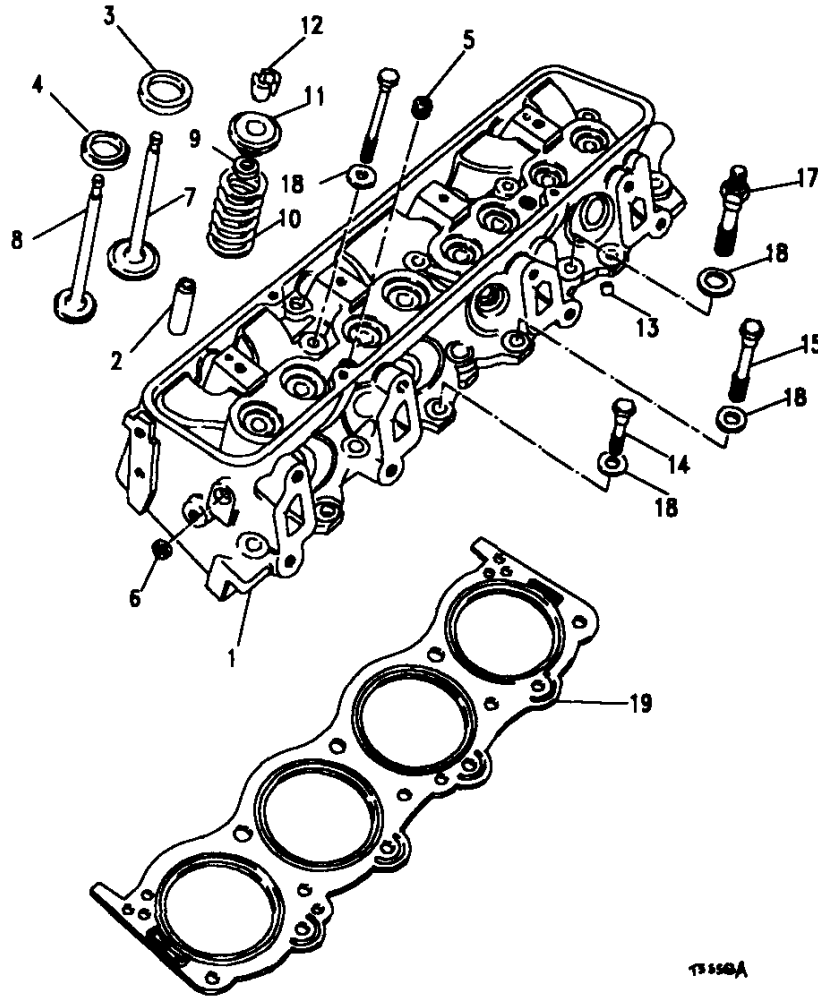


Ill. Part No.	Description	Qty	Remarks
1	ERC1351	1	Shaft & gear assembly
2	614037	1	Gear
3	ERR1990	1	Gasket-pump
4	ETC4276	1	Pump oil assembly
5	90602064	1	Valve pressure relief
6	602067	1	Spring
7	ETC8833	1	Washer joint
8	602071	1	Plug
9	243968	1	Washer joint
10	273166	1	Plug
11	614202	1	Strainer oil
12	517689	1	Plug
13	243967	1	Washer joint
14	602910	3	Bolt
	602912	2	Bolt
	602913	1	Bolt
15	PRC7204	1	Switch oil pressure
	AMR2092	1	Switch oil pressure
16	ERR3340	1	Oil filter element
17	ERC8501	1	Adaptor-housing
	ERR2490	1	Adaptor-housing-AUTO
18	ERR852	1	O ring-adaptor
19	ERC2226L	1	Adaptor

Note(1) Part of gasket kit RTC5252  
 Note(2) Oil pump repair kit is RTC4477

**Model** RANGE ROVER 1992 onwards  
**Page** BDBRGA1A

**ENGINE - CYLINDER HEAD - EFI**



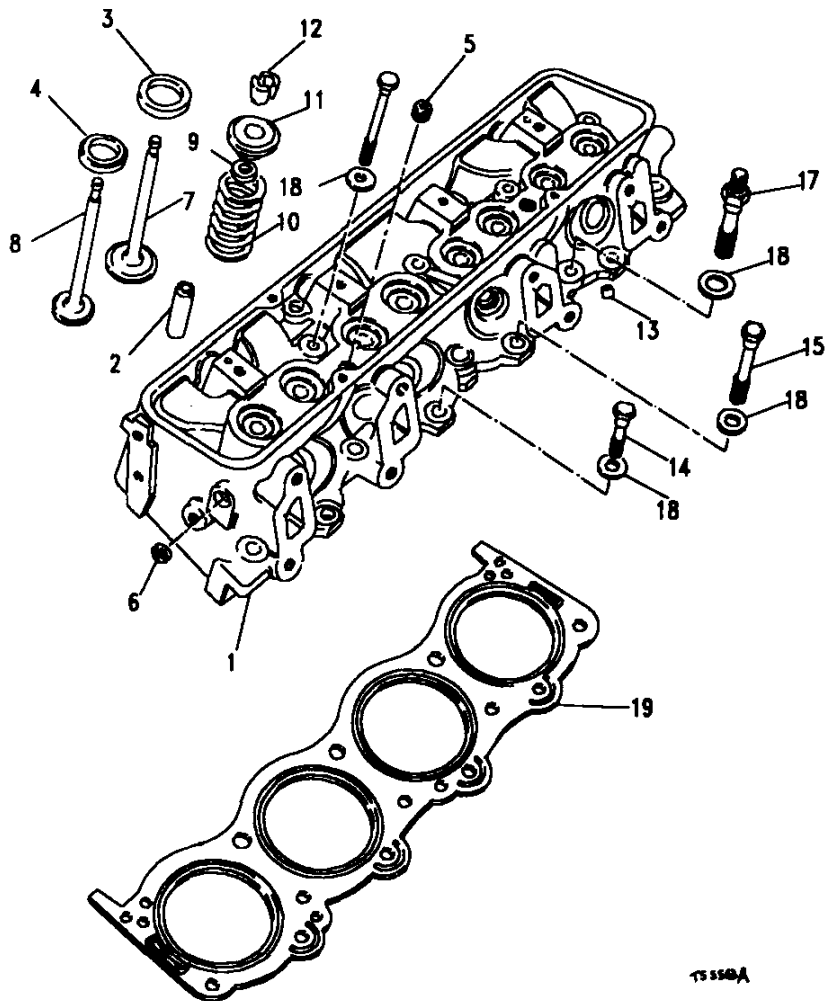
III. Part No.	Description	Qty	Remarks
1	ERR1404 ERR3649 ERR4323	2	Note(1) Note(2)
2	603554 ERR3648	2	Note(4)
	Valve guide	16	Note(1)
	Valve guide	8	Note(2)
3	ERC224	4	
	Insert-valve inlet std	4	
	ERC225	8	
	Insert-val/inlet .010"	8	
4	ETC8596	4	
	Insert-exhaust valve std	4	
	ERC211	8	
	Insert-Ex/valve .010"	8	
5	602123	2	
	Core plug	2	
6	602289	2	
	Cup plug	2	
7	ERC9088	8	Note(1)
	Valve inlet	8	Note(2)
8	ERR1780	8	Note(2)
	Valve inlet	8	Note(1)
	ETC8684	8	Note(1)
	Valve exhaust	8	Note(2)
	ERR1781	8	Note(2)
	Valve exhaust	8	Note(1)(3)
9	ERC7865	8	Note(2)
	Seal-inlet valve	8	Note(2)
	ERR1782	8	Note(2)
	Seal-inlet valve	8	Note(2)
10	ERR4628	8	
	Spring valve	8	
11	ERC573	16	
	Cap-valve spring	16	
12	ERC1637	16	
	Cotter split-valve	16	
13	602040	4	
	Dowel-head-block	4	

Note(1) Used up to Eng 35D06576A,36D14149A,37D00751A,38D23045A  
 Note(2) Used from Eng 35D06577A,36D14150A,37D00752A,38D23046A,40D  
 Note(3) Part of gasket kit STC494/RTC5254  
 Note(4) From engines 35D08928B, 36D25155B, 37D02090B, 38D27238B and 40D09582B

17558A

**Model** RANGE ROVER 1992 onwards  
**Page** BDBRGA1A

**ENGINE - CYLINDER HEAD - EFI**



III. Part No.	Description	Qty	Remarks
14 602191	Bolt 7/16" UNC	4	
15 602192	Bolt 7/16" UNC	7	
ERR2943	Bolt flanged 66mm	14	Note(2)
16 602193	Bolt 7/16" UNC	3	
ERR2944	Bolt flanged 96mm	6	Note(2)
17 602200	Bolt 7/16" UNC Double End	1	
18 602098	Washer plain	14	
19 ETC7819	Gasket	2	Note(1)
ERR5437	Gasket cylinder head	2	Note(2)
ETC5964	Bracket lifting front	1	
ERR4679	Bracket lifting front	1	Note(2)
SH505091L	Screw	1	
WM600051L	Washer spring	1	
SH506071L	Screw	2	
WM600061L	Washer spring	2	
ERC614	Bracket lifting	1	
SH506071L	Screw	2	
WM600061L	Washer spring	2	

Note(1) Part of gasket kit STC494  
 Note(2) From engine numbers 35D08928B, 36D25155B, 37D02090B and 38D27238B and 40D09582B

and

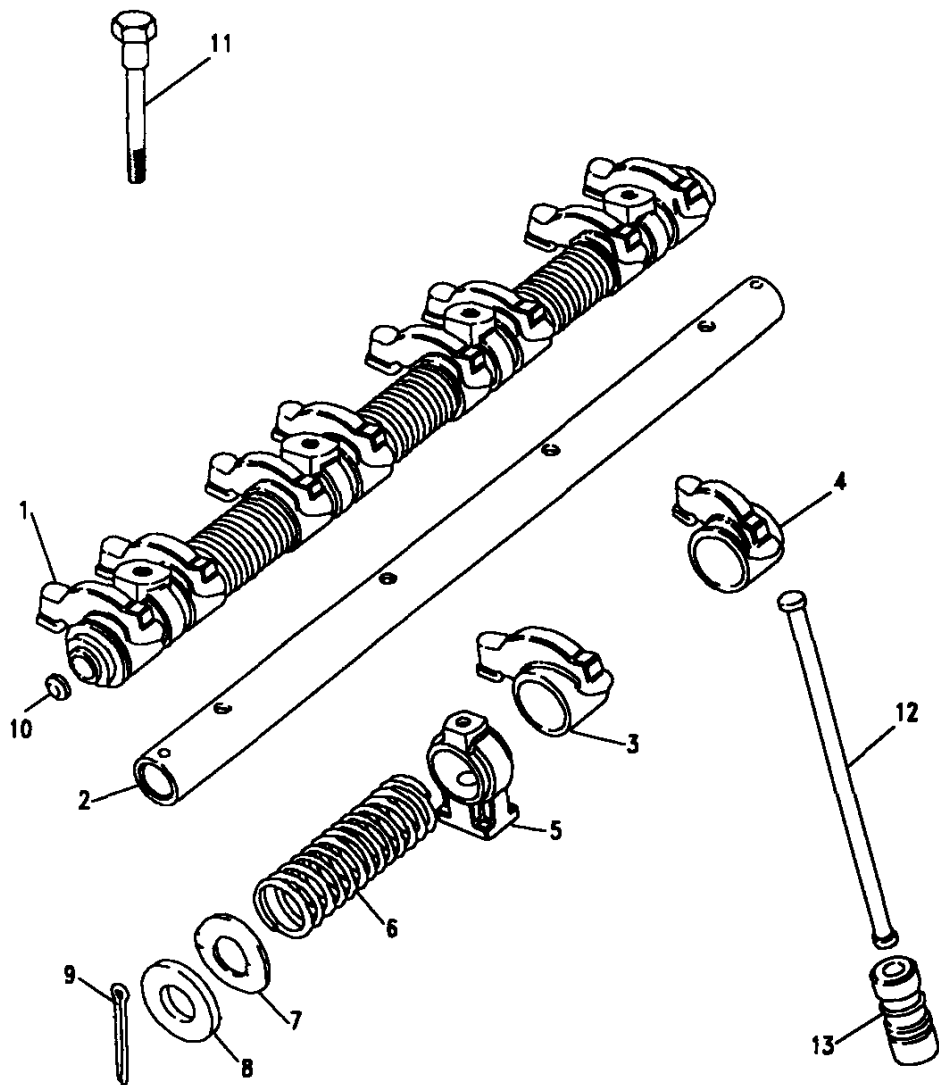
TS 558A

Model RANGE ROVER 1992 onwards

Page BDBRGC1A

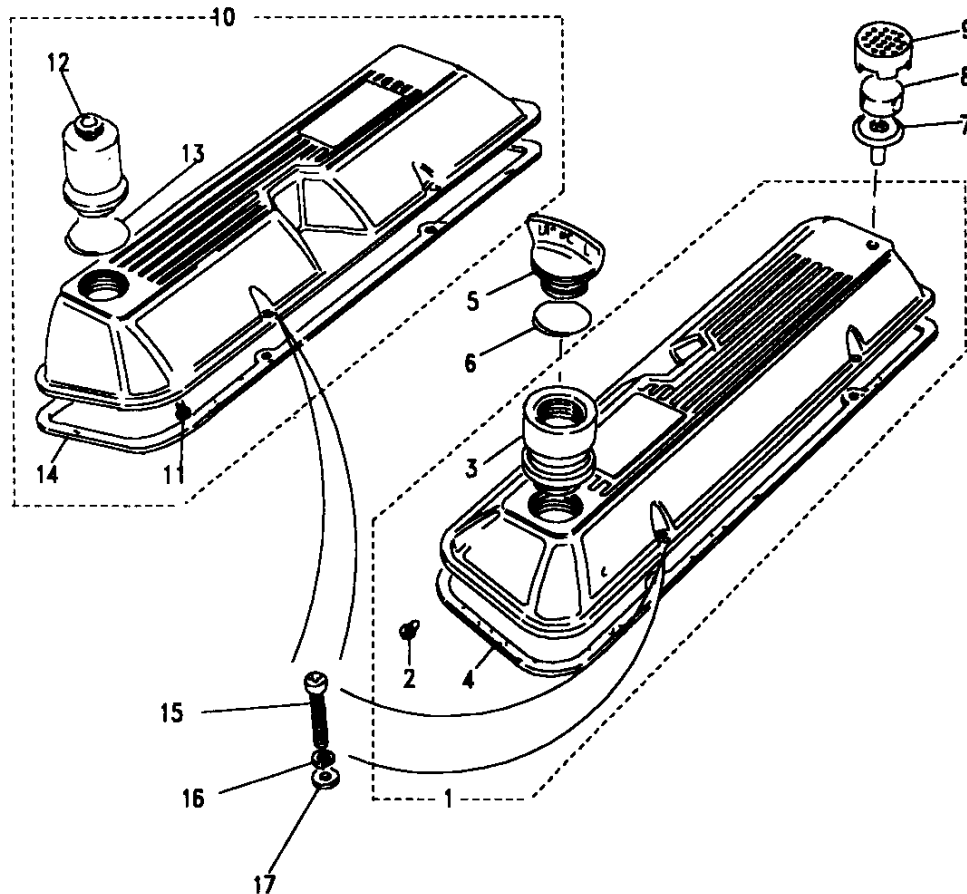
ENGINE - ROCKER SHAFT - EFI

III. Part No.	Description	Qty	Remarks
1	611660	2	Rocker shaft assembly
2	611659	2	Shaft
3	602153	8	Rocker assy RH
4	602154	8	Rocker assy LH
5	603734	8	Bracket
6	602142	6	Spring
7	602148	4	Spring-shaft end
8	602186	4	Washer plain
9	PS606101L	4	Pin split
10	154545	4	Plug-shaft ends
11	602097	8	Bolt
12	603378	16	Push rod
13	ERC4949	16	Tappet hydraulic



Model RANGE ROVER 1992 onwards  
 Page BDBRGG1A

ENGINE - ROCKER COVER - EFI



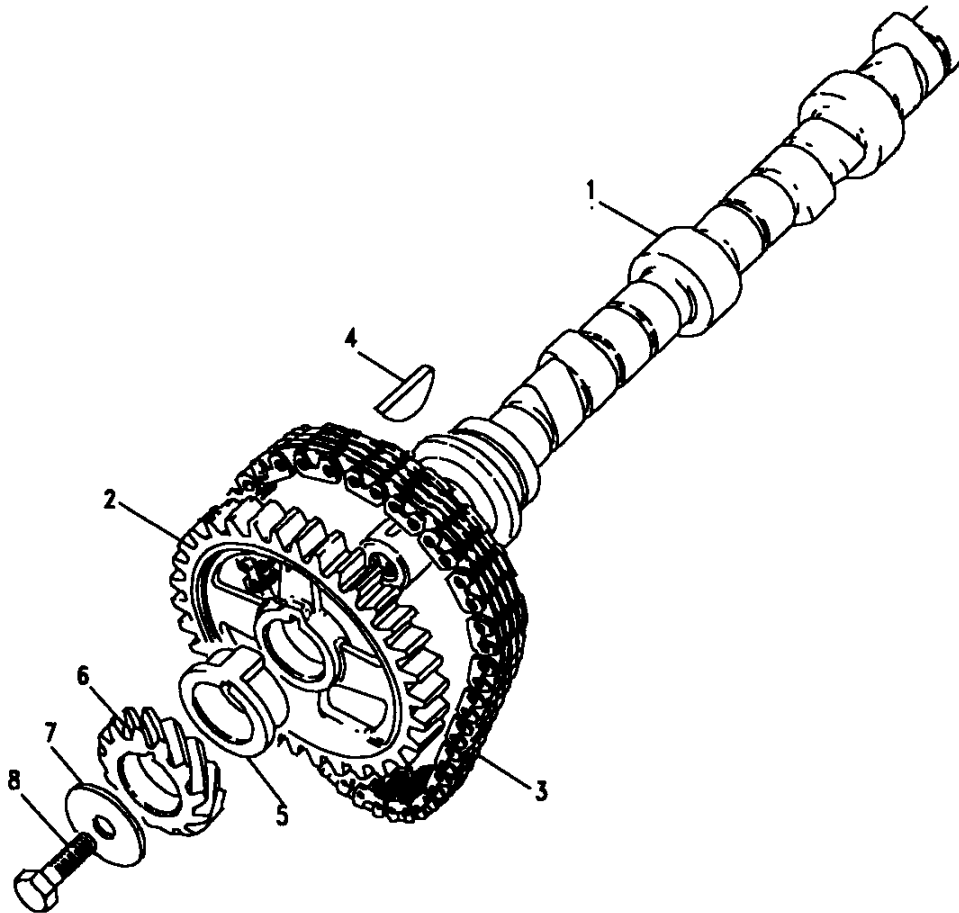
Ill. Part No.	Description	Qty	Remarks
1	ETC8679 ERR4870	1	Rocker cover assembly LH
2	79027	1	Rocker cover assembly LH
3	ERC2989	4	Screw No.6x3/8"
4	602512	1	Filler oil neck
5	625038	1	Gasket-cover/head
6	564258	1	Cap, filler oil
7	ERC3933	1	O ring-filler oil
8	ERC3209	1	Mounting plate
9	ERC3208	1	Filter
10	ETC8680 ERR4672	1	Cap, filter
11	79027	1	Rocker cover assembly RH
12	ERC248	1	Rocker cover assembly RH
13	564258	1	Screw, No6x3/8"
14	602512	8	Ventilator/flame trap
15	SY504072	1	O ring
16	603127	1	Gasket-cover/head
17	WM600041L	1	Screw
	603127	4	Screw
	WB106041L	2	Washer spring
		4	Washer plain
		8	

Note(1)  
 Note(2)

Part of gasket kit STC494  
 From engines 35D08928B, 36D25155B, 37D02090B, 38D27238B and 40D09582B.

**Model** RANGE ROVER 1992 onwards  
**Page** BDBRG11A

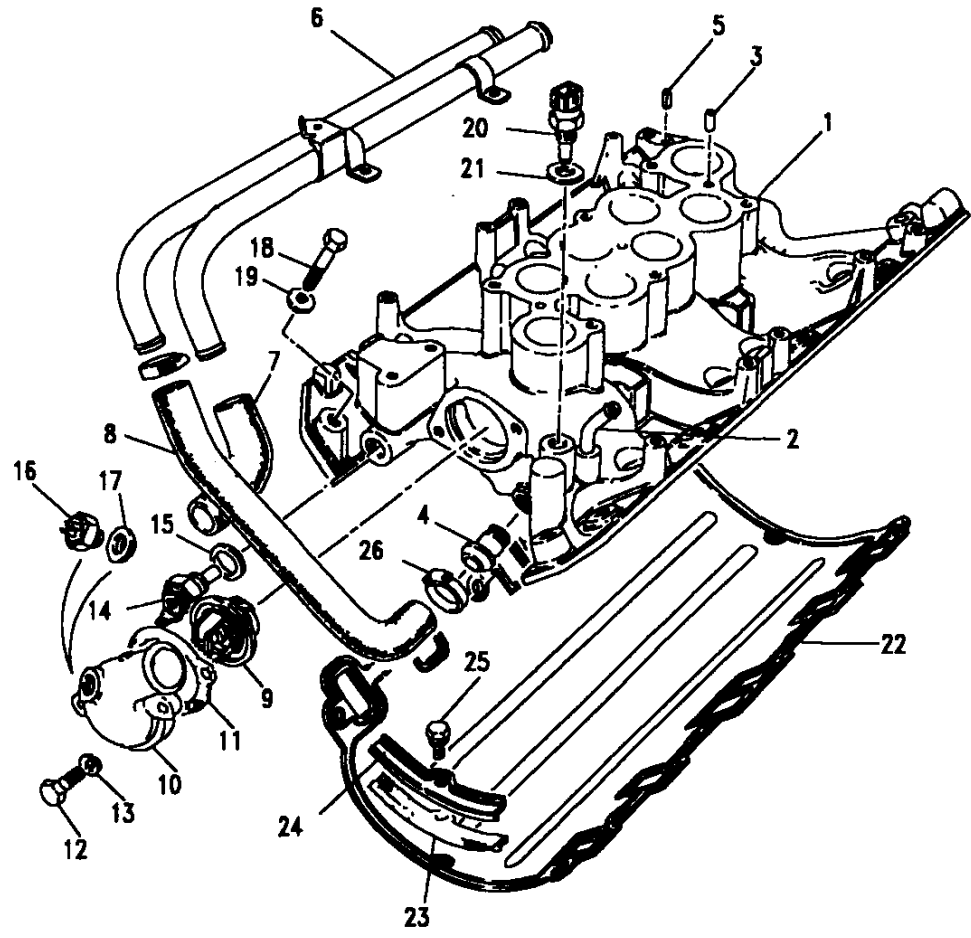
**ENGINE - CAMSHAFT - EFI**



III. Part No.	Description	Qty	Remarks
1 ETC8686	Camshaft	1	3.9
ERR4946	Camshaft	1	4.2
2 610289	Chainwheel-camshaft	1	
3 ERC7929	Chain timing	1	
4 ERC2838	Key	1	
5 ERC2839	Spacer	1	
6 614188	Gear-distributor drive	1	
7 ERC8552	Washer plain	1	
8 602227	Bolt 7/16"UNFx1.1/8"	1	

**Model** RANGE ROVER 1992 onwards  
**Page** BDBRHA2A

**ENGINE - INLET MANIFOLD - EFI**

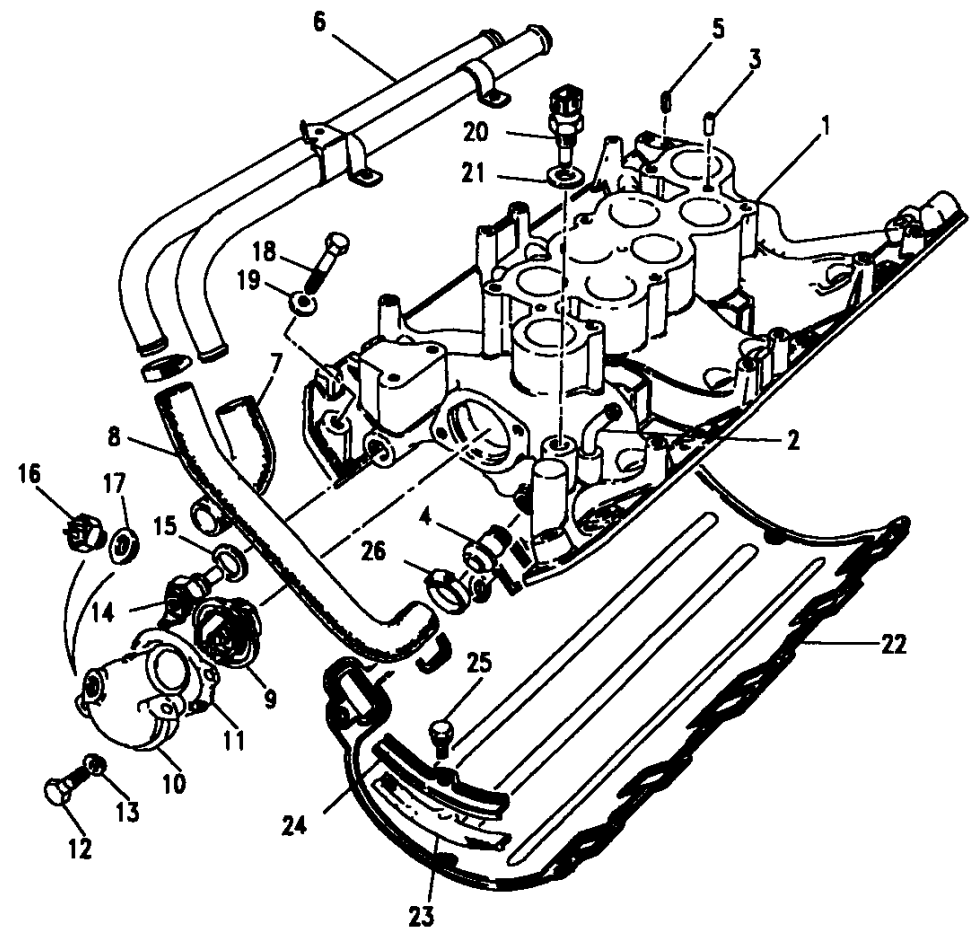


III. Part No.	Description	Qty	Remarks
1	ETC6444	1	
	ERR4892	1	Note(3)
2	ETC6503	1	Connection-water
3	602201	2	Dowel-manifold
4	ETC6547	1	Ferrule-by-pass pipe
5	603428	1	Spring pin
6	ERR319	1	Pipe heater feed
	ERR4635	1	Pipe heater return
	NTC4609	1	Filler plug(ERR319)
	NTC5171	1	O ring-filler plug
	SH504061L	2	Screw
	WM600041L	2	Washer spring
7	ETC6889	1	Hose-heater to pump
8	ETC6890	1	Hose-heater supply
9	ETC4765	1	Thermostat 88c
10	ETC4596	1	Elbow-water outlet
	ETC6135	1	Elbow water outlet
11	ERR2429	1	Gasket elbow
12	SH505071L	2	Screw 5/16"UNF x 7/8"
13	WM600051L	2	Washer spring
14	PRC7918	1	Transmitter temp
15	90568054	1	Washer sealing
16	PRC3505	1	Switch-fan-temp
17	C457593	1	Washer sealing
18	BH506121L	10	Bolt
	BH506161L	2	Bolt
19	2204L	12	Washer plain

Note(1) Part of gasket kit STC494  
 Note(2) Upto engines 35D08927A, 36D25154A, 37D02089A, 38D27237A and 40D09581A  
 Note(3) From engines 35D08928B, 36D25155B, 37D02090B, 38D27238B and 40D09582B

Model RANGE ROVER 1992 onwards  
Page BDBRHA2A

ENGINE - INLET MANIFOLD - EFI



Ill. Part No.	Description	Qty	Remarks
20	ETC8496	1	To ECU
	AMR1425	1	To Gauge
21	243967	1	Note(2)
22	ERR4923	1	Note(1)
23	602099	2	Note(1)
24	602076	2	
25	602236	2	
26	CN100308L	4	
	ERR4635	1	

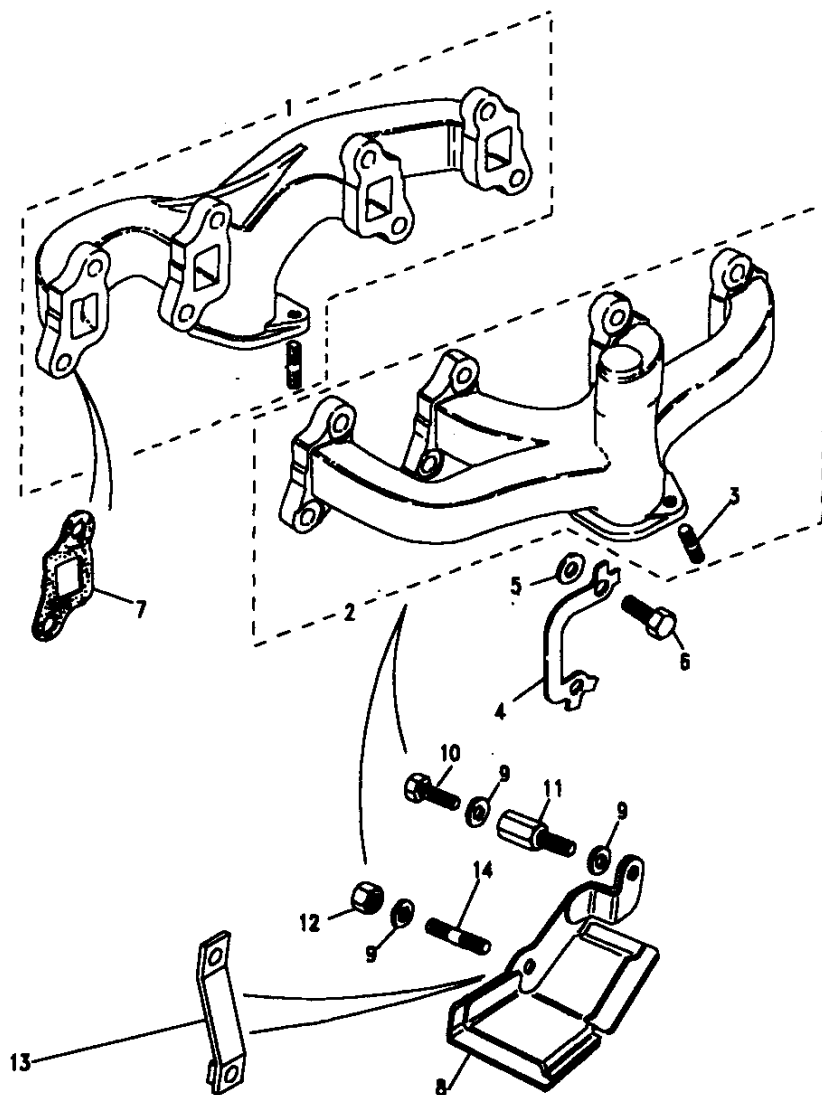
Note(1)  
Note(2)

Part of gasket kit STC494  
Part of gasket kit RTC5252



**Model** RANGE ROVER 1992 onwards  
**Page** BDBRHC1A

**ENGINE - EXHAUST MANIFOLD - EFI**

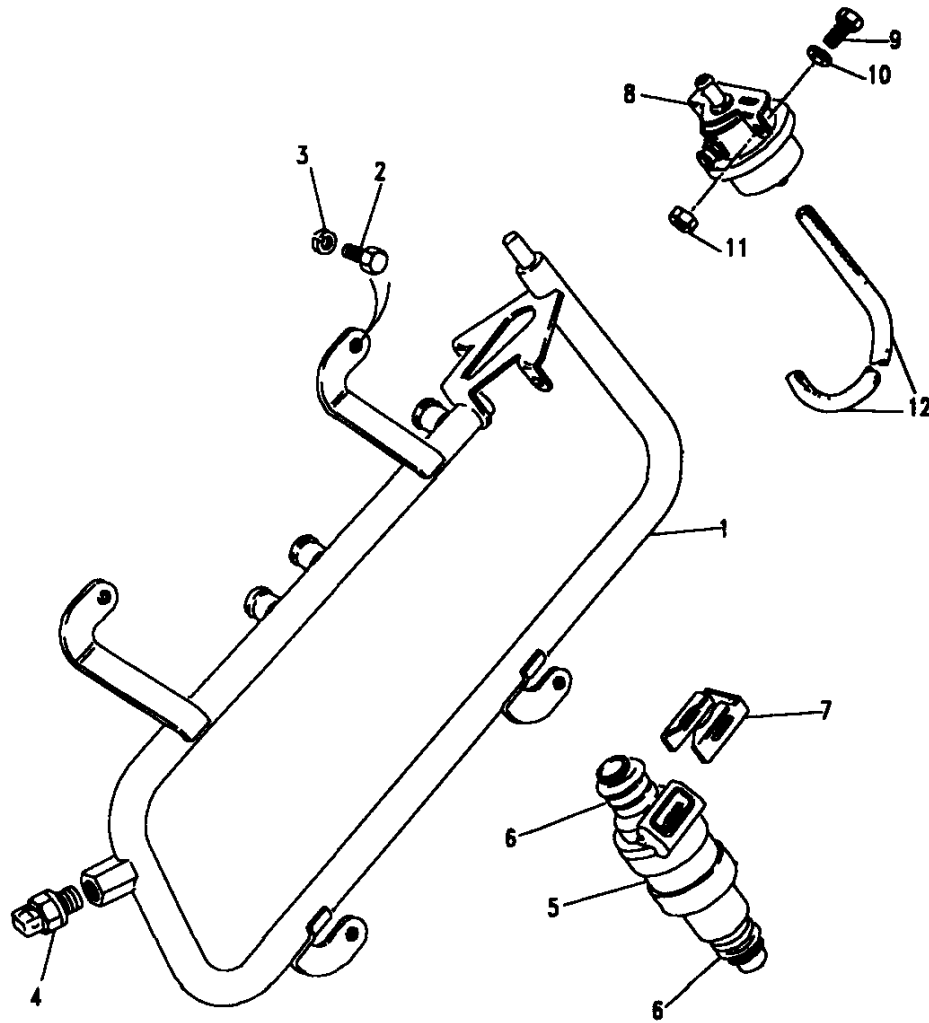


III. Part No.	Description	Qty	Remarks
1	ERR5023	1	Manifold exhaust assy RH
2	ERR5024	1	Manifold exhaust assy LH
3	ERR551	6	Stud- pipe/manifold
4	ERC7321	4	Locking plate
5	3036L	8	Washer plain
6	SH506095L	6	Screw 3/8"
7	ERR5008	2	Gasket manifold
	ERR5010	2	Gasket manifold
8	ERC5875	1	Heatshield starter motor
9	RTC813	3	Washer plain
10	SH605051L	1	Screw
11	614443	1	Screw
12	NR604090	1	Nut
13	ERR117	1	Bracket-heatshield
14	ERC3690	1	Stud

Note(1) Part of gasket kit STC494

**Model** RANGE ROVER 1992 onwards  
**Page** BDBRJA1A

**ENGINE - FUEL INJECTORS - EFI**

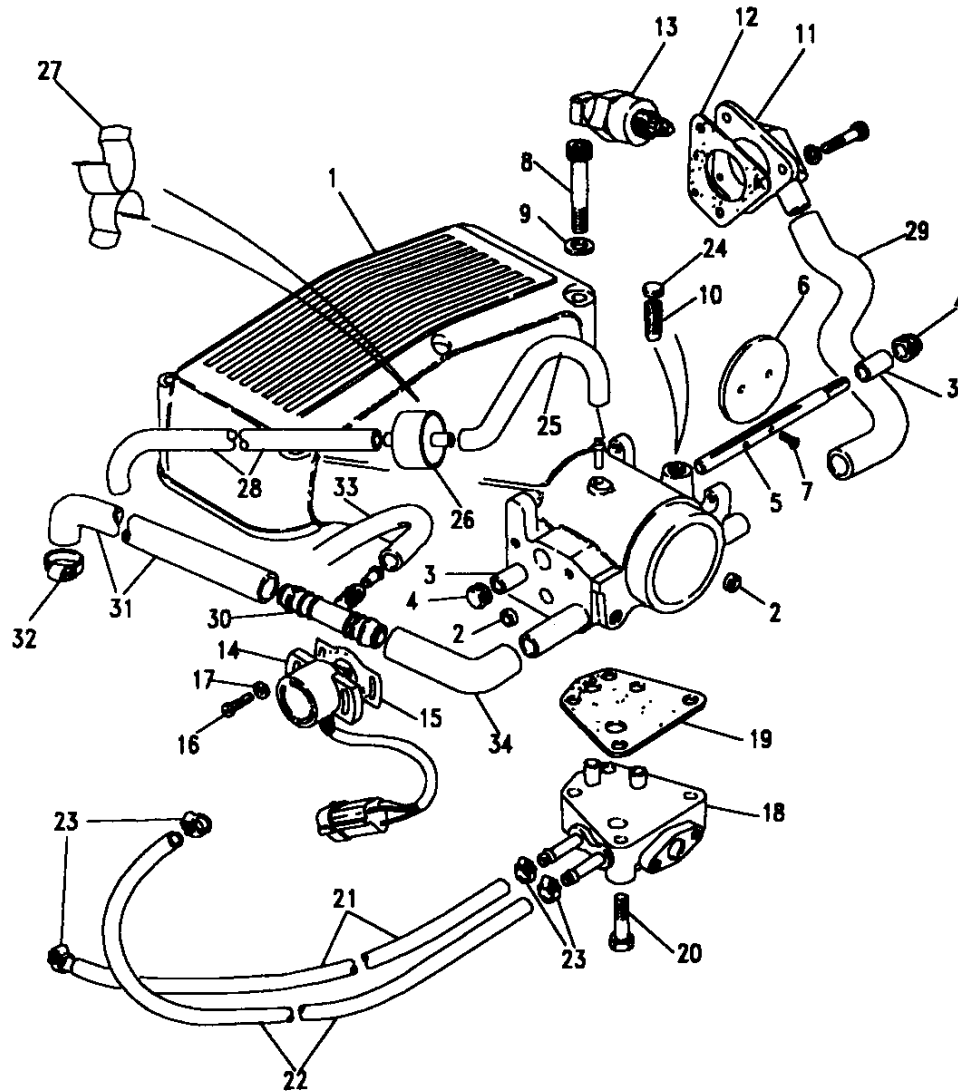


Ill. Part No.	Description	Qty	Remarks
1	ETC8913	1	
	ERR3005	1	BRAZIL ONLY
	ERR4937	1	Note(2)
2	FS504047	3	
	SH604041L	2	
3	WM600041L	5	
4	ETC8661	1	
5	ERR722	8	
	EAC2414L	8	Note(1)
	EAC2415L	8	Note(1)
6	RTC5679	16	
7	ETC8375	8	
8	ETC8494	1	
	ERR2996	1	BRAZIL ONLY
9	SH604041L	2	
10	WA106041L	2	
11	NH606041L	2	
12	RTC3942	A/R	

Note(1) Part of gasket kit STC494  
 Note(2) From VIN MA647645

**Model** RANGE ROVER 1992 onwards  
**Page** BDBRJC1A

**ENGINE - PLENUM CHAMBER - EFI**

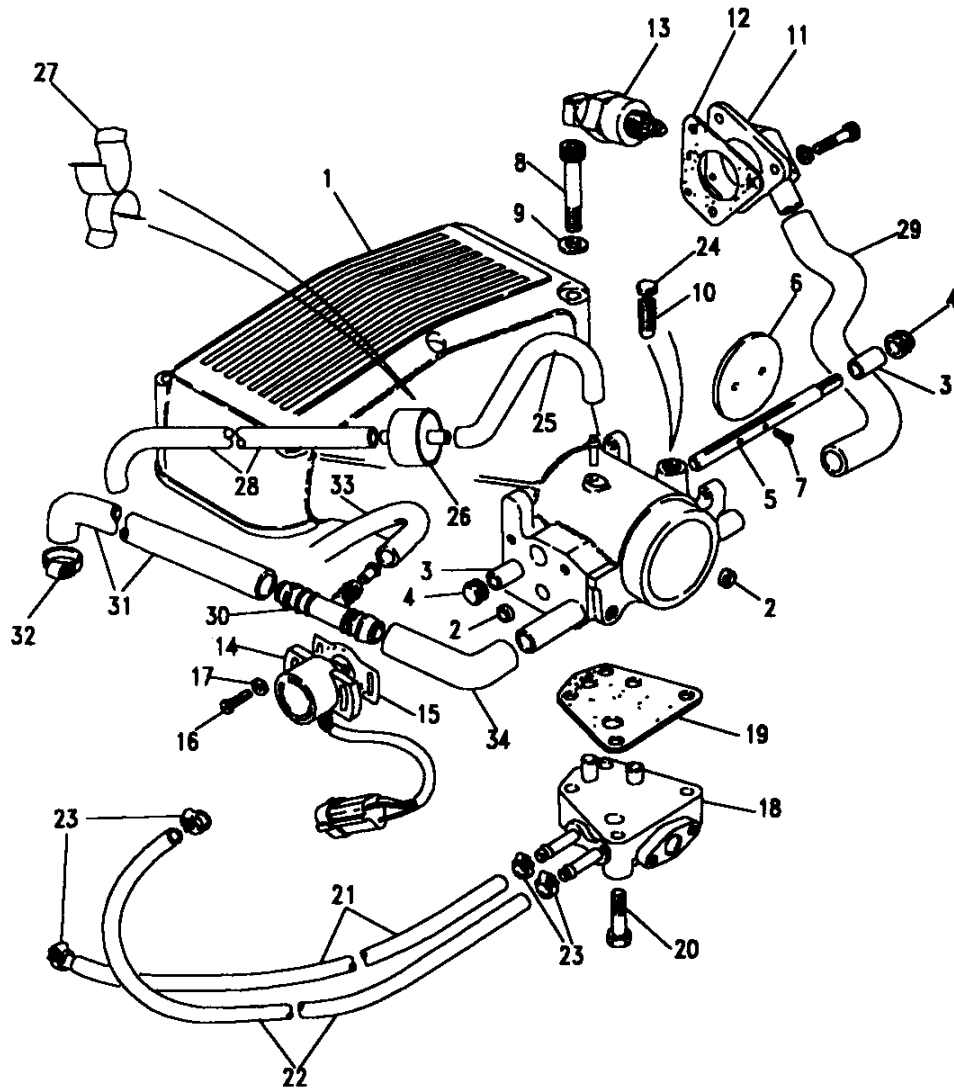


III. Part No.	Description	Qty	Remarks
1	ERR941	1	3.9
	ERR3401	1	4.2 (40D)
2	ERC255	1	
3	ERR1756	2	
4	AUD3577L	1	Note(1)
5	ETC6223	1	
6	ETC6222	1	
7	RTC5965	2	
8	SS108801L	6	
9	WA108051L	6	
10	ST606080L	1	
11	ETC6214	1	
12	ERR2926	1	Note(1)
13	ETC6660	1	
14	ETC8495	1	
15	ERR4944	1	Note(1)
16	SC104141L	2	
17	WA104001l	2	
18	ERR1262	1	
	ERR1261	2	
19	ETC7353	1	Note(1)

Note(1) Part of gasket kit STC494

**Model** RANGE ROVER 1992 onwards  
**Page** BDBRJC2A

**ENGINE - PLENUM CHAMBER - EFI - CONTINUED**



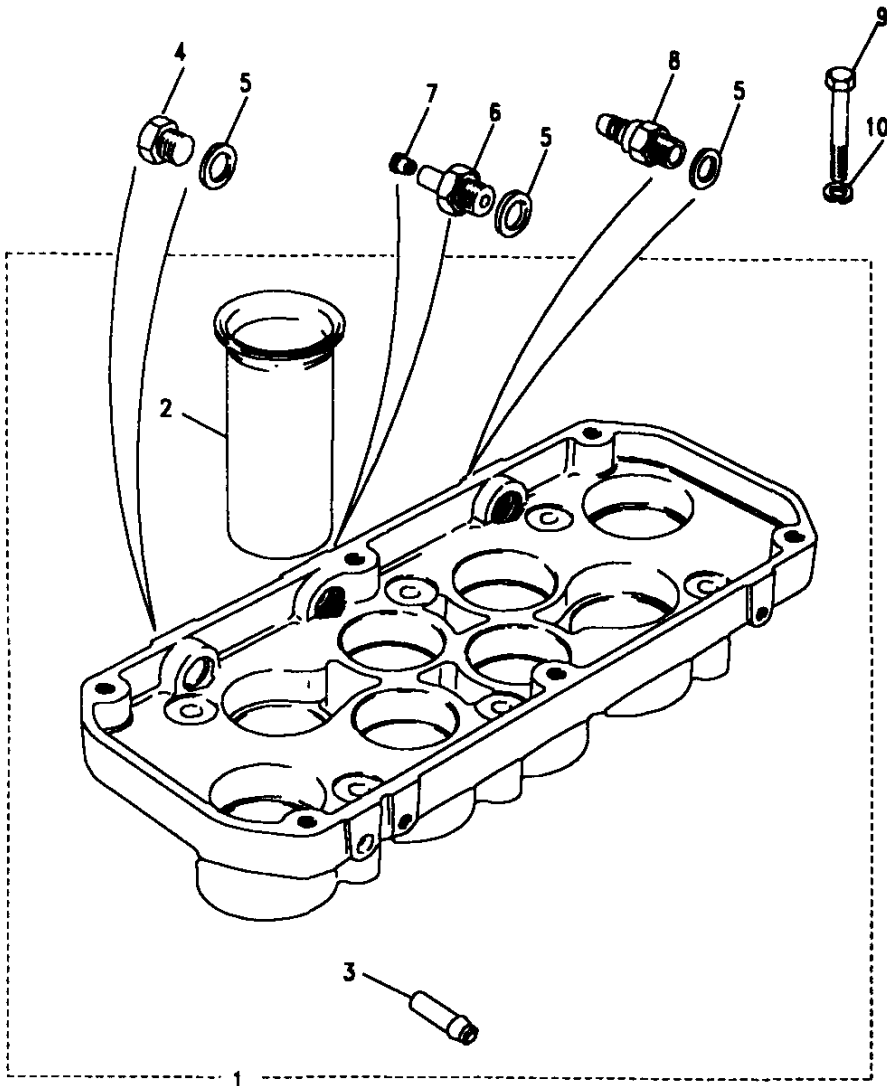
III. Part No.	Description	Qty	Remarks
20 BH504111L	Bolt-jacket to plenum	1	
SH504081L	Screw-jacket to plenum	3	
21 ERC8598	Hose-manifold jacket	1	
22 ERR330	Hose-jacket/water outlet	1	
23 EAC32151	Clip	2	
24 ETC6874	Plug-tamper proof	1	
25 ETC7306	Hose delay valve	1	
26 ERC6997	Vaccum-delay/plenum	1	
27 ETC7181	Clip delay valve	A/R	
28 ETC7325	Hose vaccum unit	1	
29 ETC7874	Hose-plenum chamber	1	
30 ERR4765	Tee piece/restrictor	1	
31 ERR4762	Hose-flame trap/t-piece	1	
32 EAC22723	Clip	3	
33 ERR4764	Hose sol valve to ram hsg	1	
34 ERR4763	Hose-plenum chamber	1	
ERR4247	Adaptor and vacuum pipe	1	

**Model** RANGE ROVER 1992 onwards  
**Page** BDBRJG2A

**ENGINE - RAM PIPES HOUSING - EFI**

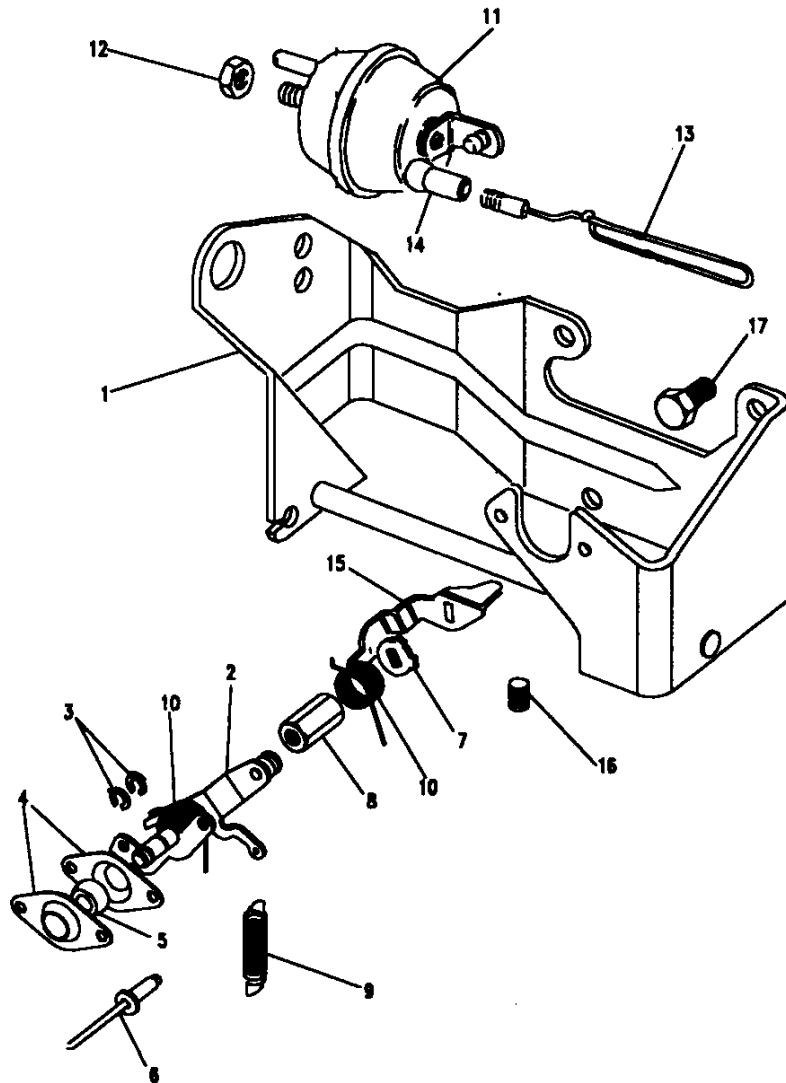
III. Part No.	Description	Qty	Remarks
1 ERR1290	Ram pipes housing assy	1	
2 ERC9110	Ram pipes	8	
3 ERC377	Connection idle valve	1	
4 603224	Plug	2	NON AIR CON
ERC4626	Plug	1	AIR CON
5 232043	Washer joint	3	Note(1)
6 ERR20	Adaptor-evaporator loss	1	
7 ETC6505	Restrictor	1	
8 RTC5907	Valve non return	1	
9 FB505181	Bolt flanged	6	
10 WA108051L	Washer plain	6	Note(2)

Note(1) Part of gasket kit STC494  
 Note(2) Not required with flanged bolt



**Model** RANGE ROVER 1992 onwards  
**Page** BDBRJ11A

**ENGINE - ACCELERATOR LINKAGE - EFI**

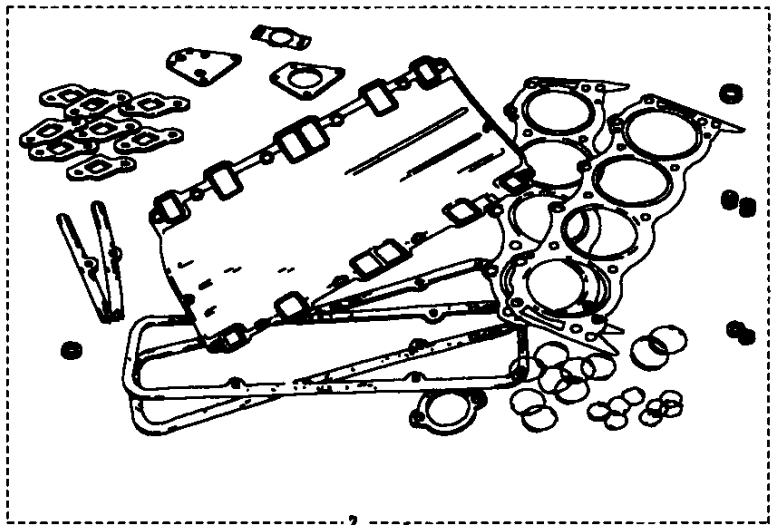
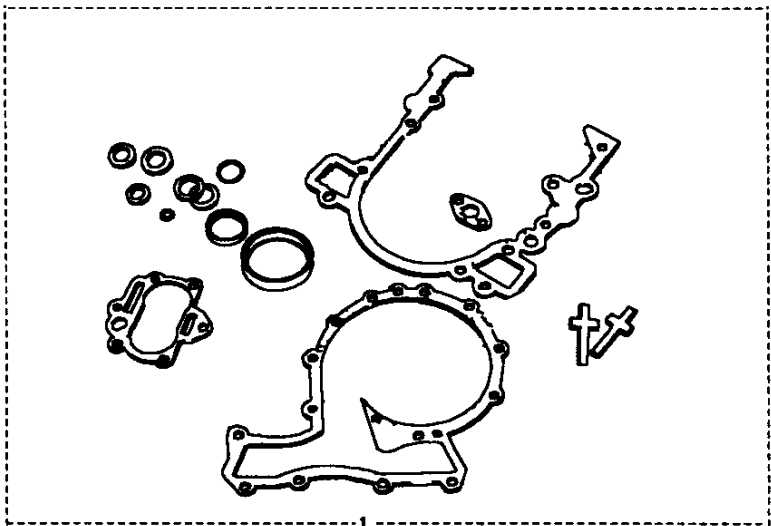


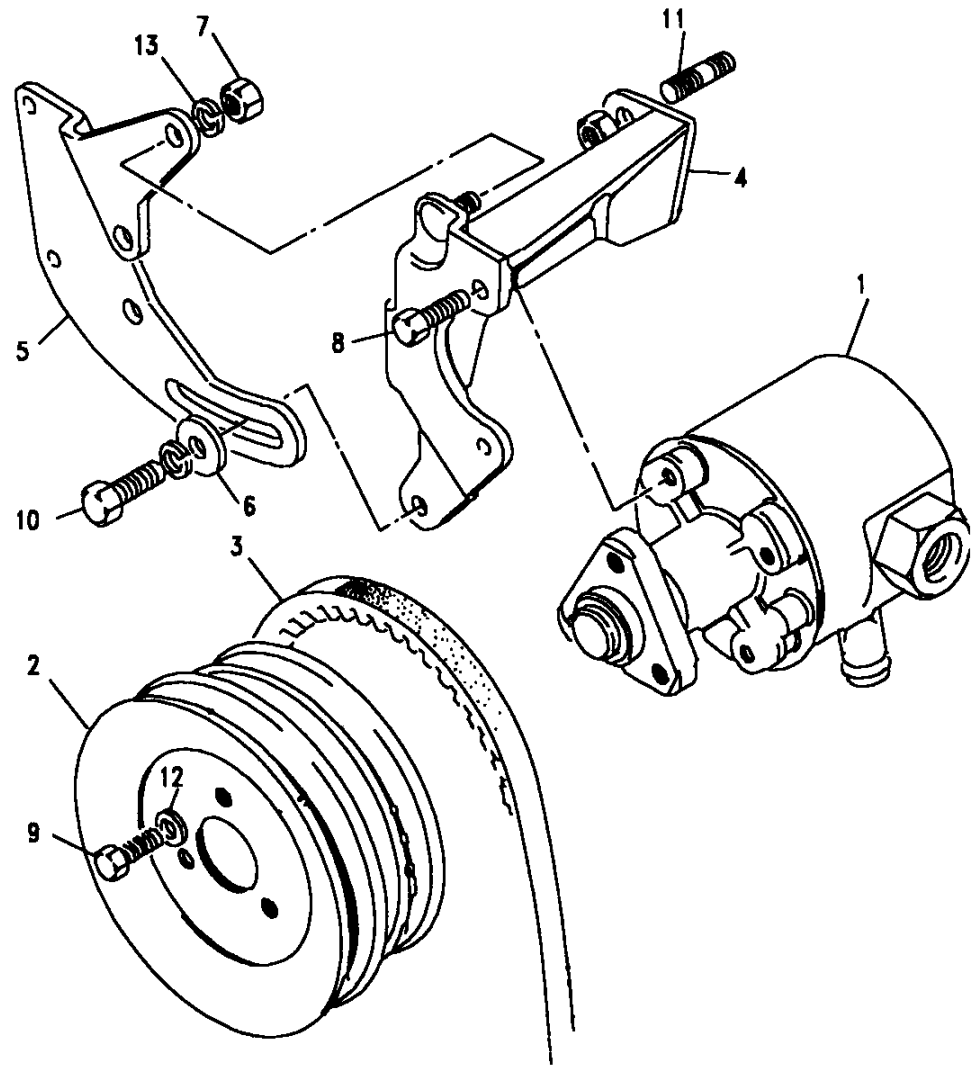
III. Part No.	Description	Qty	Remarks
1	ETC7870	1	Bracket-throttle mounting
2	ETC7887	1	Countershaft assy
	ETC7886	1	Countershaft assy
3	ETC7884	2	Clip retaining
4	ERR3712	2	Housing bearing
5	ERC4215	1	Bush spherical
6	RA612183	2	Rivet
7	C43231L	1	Washer tab
8	ERC3579	1	Nut-throttle spindle
9	ETC5524	1	Spring-overtvel
10	ERC3792	1	Spring-throttle return
11	ETC7150	1	Actuator pneumatic
12	NH108041L	1	Nut
13	ETC7875	1	Actuating link
14	ETC7149	1	Ball joint
15	ETC7769	1	Lever stop
16	ETC7668M	1	Screw-stop lever
17	FS504047	3	Screw flanged

**Model** RANGE ROVER 1992 onwards  
**Page** BDBRMA1A

**ENGINE - GASKET KIT - EFI**

Ill. Part No.	Description	Qty	Remarks
1 STC1639	Kit gasket overhaul	1	
1 STC1641	Kit gasket cylinder head	1	





**Model** RANGE ROVER 1992 onwards  
**Page** BDBRNC3A

**ENGINE - POWER STEERING PUMP - EFI**

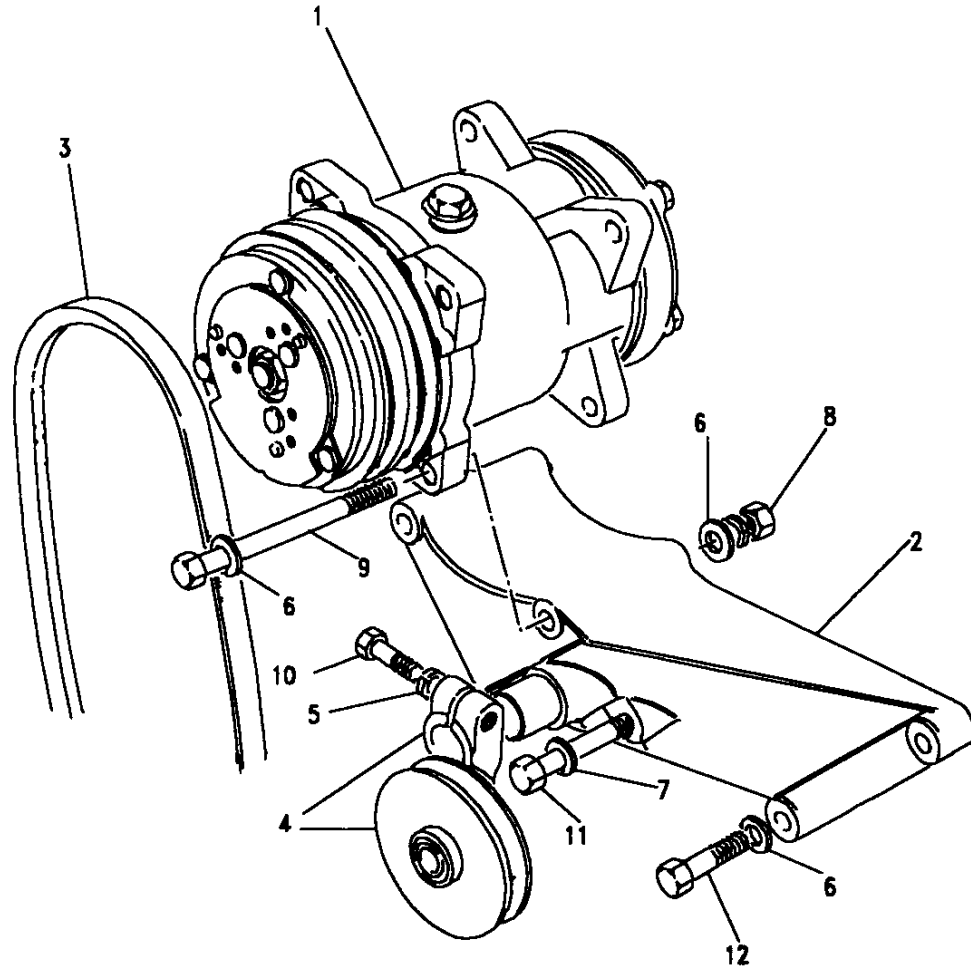
Ill. Part No.	Description	Qty	Remarks
1	NTC8286	1	Note(4)
	ANR2003	1	Note(3)
	ERR4066	1	Note(5)
	RTC6760	1	
	RTC6074	1	O ring-discharge adaptor
	RTC6075	1	O ring-discharge adaptor
2	ETC6408	1	Note(1)
	ERR2985	1	Note(2)
	FN108041L	1	Note(2)
3	ERC675	1	Belt-steering pump
4	ERR798	1	Bracket-front mounting
	ERR4053	1	Bracket mounting
5	ETC6607	1	Bracket adjusting pump
6	4478	1	Washer plain
7	NH108041L	1	Nut
8	FS108201L	3	Screw
9	SH108181L	3	Note(4)
10	SH108251L	1	Note(4)
11	TE506101L	1	Stud
	SS508060	1	Screw socket
12	WA108051L	3	Washer plain
13	WM600051L	1	Washer plain
	BH504121L	2	Bolt
	BH505381L	1	Bolt
	BH505401L	1	Bolt
	NH606041L	1	Nut

Note(1) Upto JA624755  
 Note(2) From KA624756  
 Note(3) From engines 36D18874A and 40D02228A  
 Note(4) Up to engines 36D18874A and 40D02228A  
 Note(5) From VIN MA647645



**Model** RANGE ROVER 1992 onwards  
**Page** BDBRNE1A

**ENGINE - COMPRESSOR ASSEMBLY - EFI**



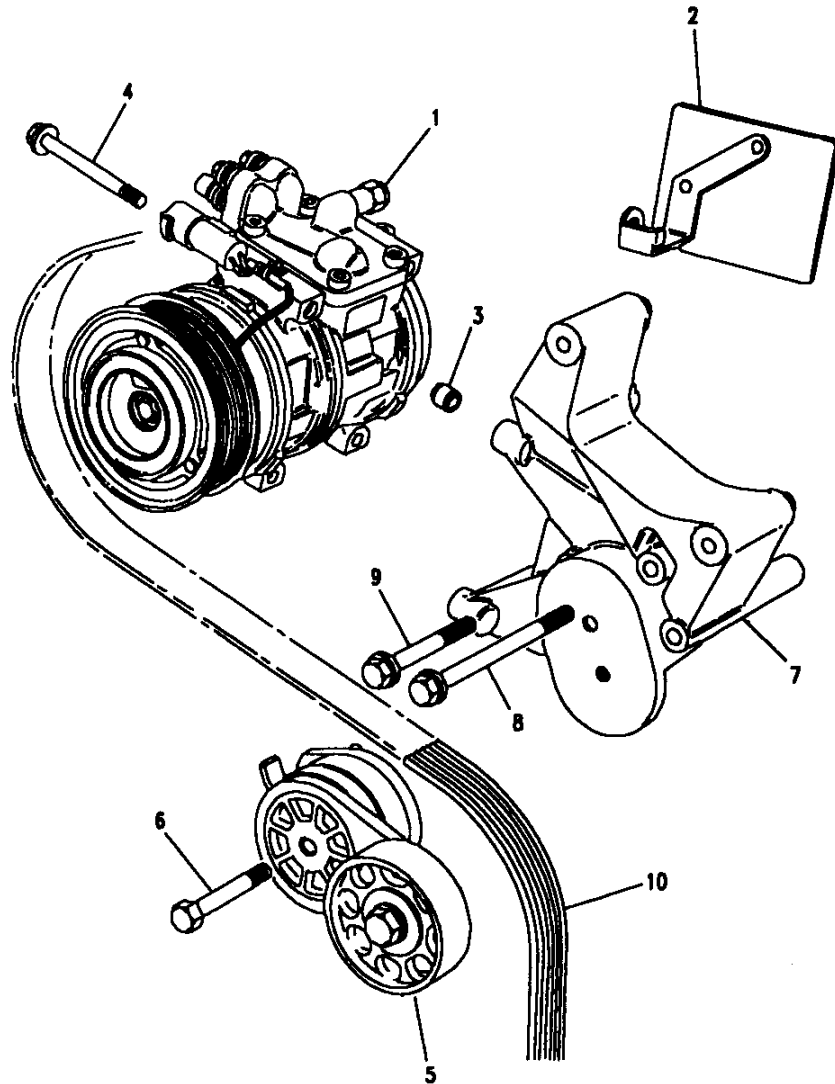
III. Part No.	Description	Qty	Remarks
<b>Up to VIN LA647644</b>			
1	BTR1301 Compressor assembly	1	
2	ETC5690 Bracket mounting	1	
	ERR4521 Bracket mounting	1	From June93
3	611612 Belt-water pump	1	
	ERR4623 Belt-water pump	1	Note(1)
4	ETC6159 Pulley tension	1	
	ETC6148 Bracket	1	
	614718 Pullet and shaft	1	
	614154 Bearing pulley	1	
5	WM600051L Washer plain	1	
6	WA110061L Washer plain	6	
7	WA108051L Washer plain	1	
8	NH606041L Nut	2	
9	BH606401L Bolt	2	
10	BH605101L Bolt	1	
11	BH505341L Bolt 5/16 x 4.1/4	1	
	BH506345 Bolt 3/8 x 4.1/4	1	From June 93
12	BH506131L Bolt	1	
	BH504151L Bolt	1	
	BH505441L Bolt	1	

Note(1) From engines 35D08928B, 36D25155B, 37D02090B, 38D27238B and 40D09582B

**Model** RANGE ROVER 1992 onwards  
**Page** BDBRNE2A

**ENGINE - COMPRESSOR ASSEMBLY - EFI**

III. Part No.	Description	Qty	Remarks
<b>From VIN MA647645</b>			
1	BTR5750	1	Compressor assembly
2	ERR3671	1	Heatshield
3	ERR4052	2	Dowel split ring
4	FB108197	4	Bolt flanged M8 x 95
5	ERR3440	1	Tensioner
6	FB110151L	1	Bolt flanged M10 x 75
7	ERR4513	1	Bracket mounting
8	ERR3062	2	Bolt flanged 3/8 x 5.25
9	FB508287	2	Bolt flanged 3/8 x 3.25
10	ERR4623	1	Belt polyvee



**Model** RANGE ROVER 1992 onwards  
**Page** BDBRPA1A

**ENGINE - DISTRIBUTOR - EFI**

**III. Part No. Description Qty Remarks**

**Engines 3.9 High Compression 35D,36D.**

1	ERR4114	Distributor-CAT & NON CAT	1	Note(1)(2)
	ERR4739	Distributor-NON CAT	1	From18874A
	ERR4738	Distributor-CAT	1	From18874A
	ERR5208	Distributor-NON CAT	1	Note(4)
	ERR5209	Distributor-CAT	1	Note(4)

**Engines 3.9 Low Compression 37D,38D.**

1	ERR4037	Distributor-3 pin	1	
	ERR5207	Distributor remote module	1	Note(5)

**Engines 3.9 Low Compression-AUSTRALIA**

1	ERR1250	Distributor 2 pin	1	Note(1)(2)
	ERR4740	Distributor 3 pin	1	From18874A
	ERR5207	Distributor remote module	1	Note(5)

**Engines 4.2**

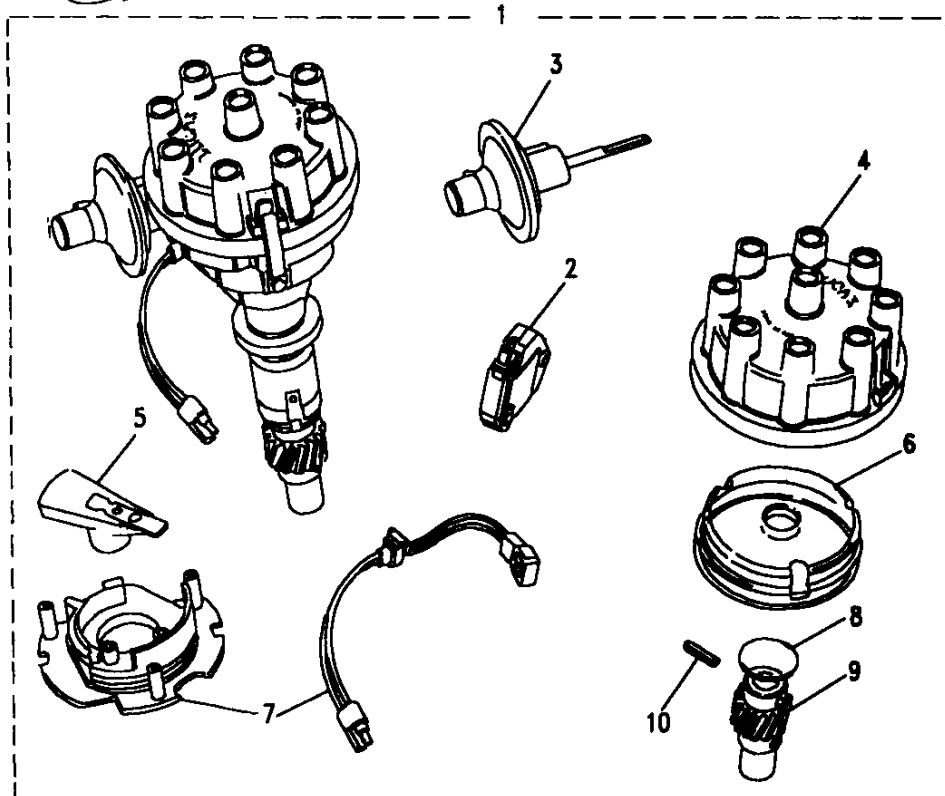
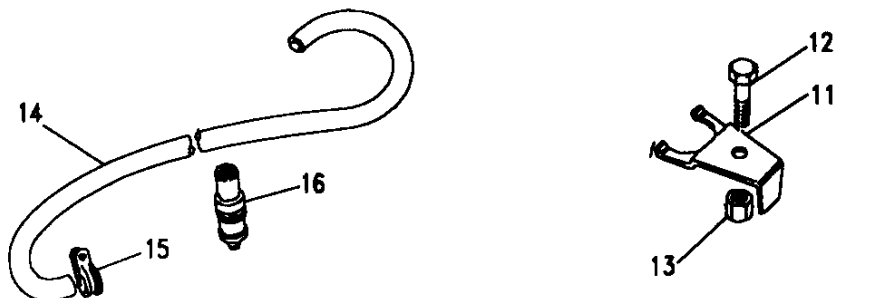
1	ERR4113	Distributor	1	Note(1)(3)
	ERR4739	Distributor 3 pin	1	From02228A
	ERR5208	Distributor remote module	1	Note(6)

**Service Breakdown for above Distributors.**

2	RTC5089	Module 2 pin	1	Note(1)
	STC1184	Module-3 pin-distributor	1	
	STC1856	Kit remote module	1	Note(4)(5)(6)
3	RTC3201	Vacuum unit	1	
	STC1185	Vacuum unit-3 pin-AUST	1	
4	RTC3197	Cap	1	
5	STC1857	Rotor arm	1	
6	RTC5091	Insulating cover	1	

Note(1) When replacing distributors with 2 pin modules by distributors with 3 pin modules also fit new link lead STC1212 between the module and the engine harness.

Note(2) Up to engine number 18873A (2 pin modules)



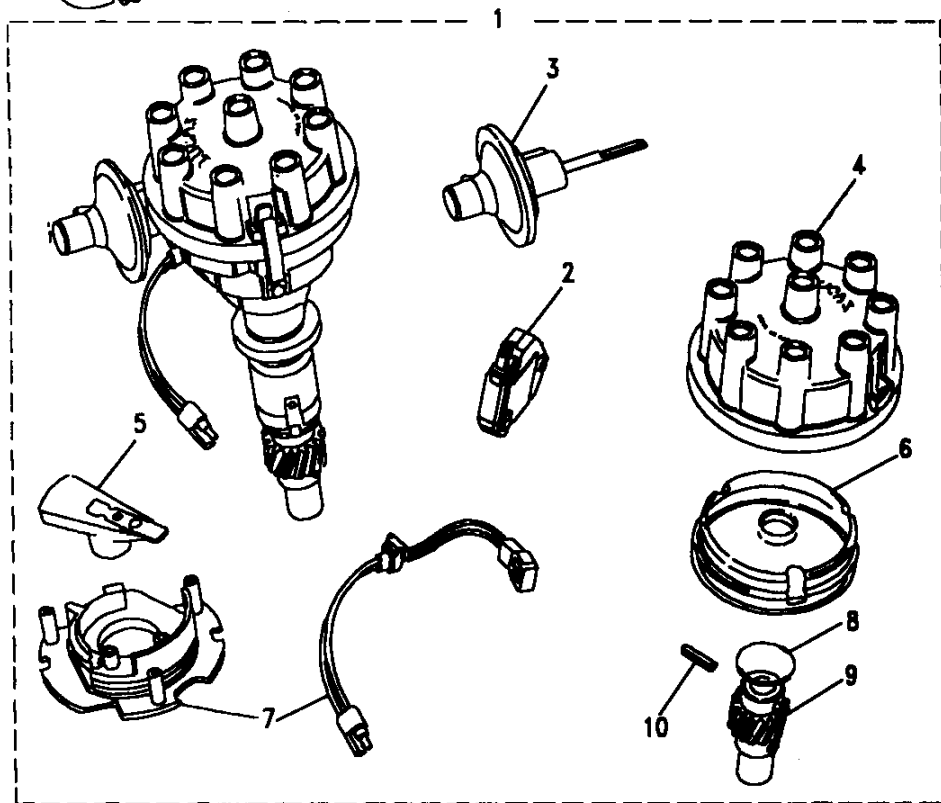
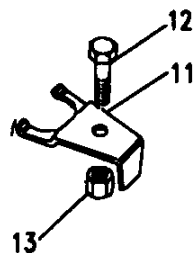
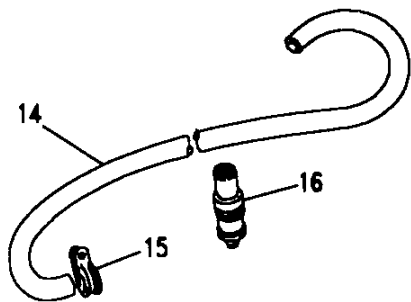
**Model** RANGE ROVER 1992 onwards  
**Page** BDBRPA1A

**ENGINE - DISTRIBUTOR - EFI**

III. Part No.	Description	Qty	Remarks
---------------	-------------	-----	---------

Note(3)	Up to engine number 02227A (2 pin modules)		
---------	--	--	--

Note(1)	Remote module fitted from 35D09450B and 38D28464B		
Note(2)	Remote module fitted from 37D02243B and 38D26018B		
Note(3)	Remote module fitted from 40D10938B		

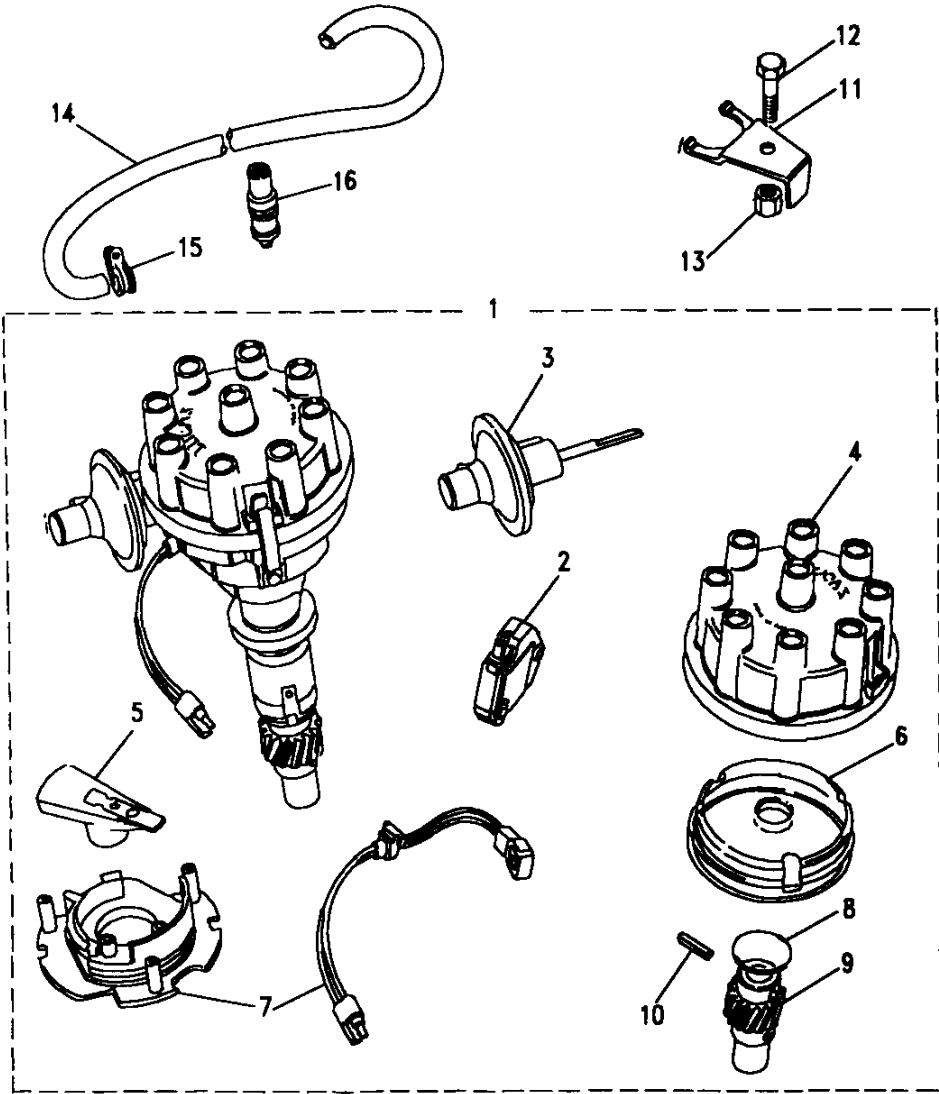


**Model** RANGE ROVER 1992 onwards  
**Page** BDBRPA1A

**ENGINE - DISTRIBUTOR - EFI**

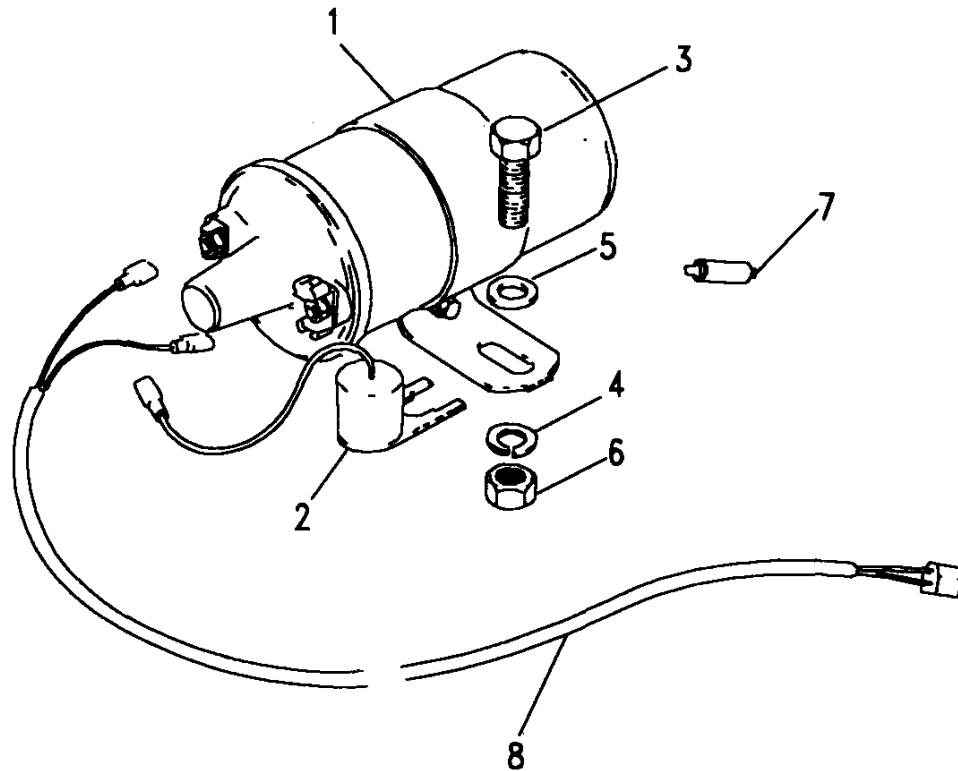
III. Part No.	Description	Qty	Remarks
7	RTC5090	1	
8	603446	1	Note(1)
9	ERC1353	1	
10	602953	1	
11	613857	1	
12	SH506125	1	
13	ETC7427	1	
14	ETC7322	A/R	
15	50642	A/R	
16	PRC5086	1	

Note(1) Part of gasket kit RTC5252



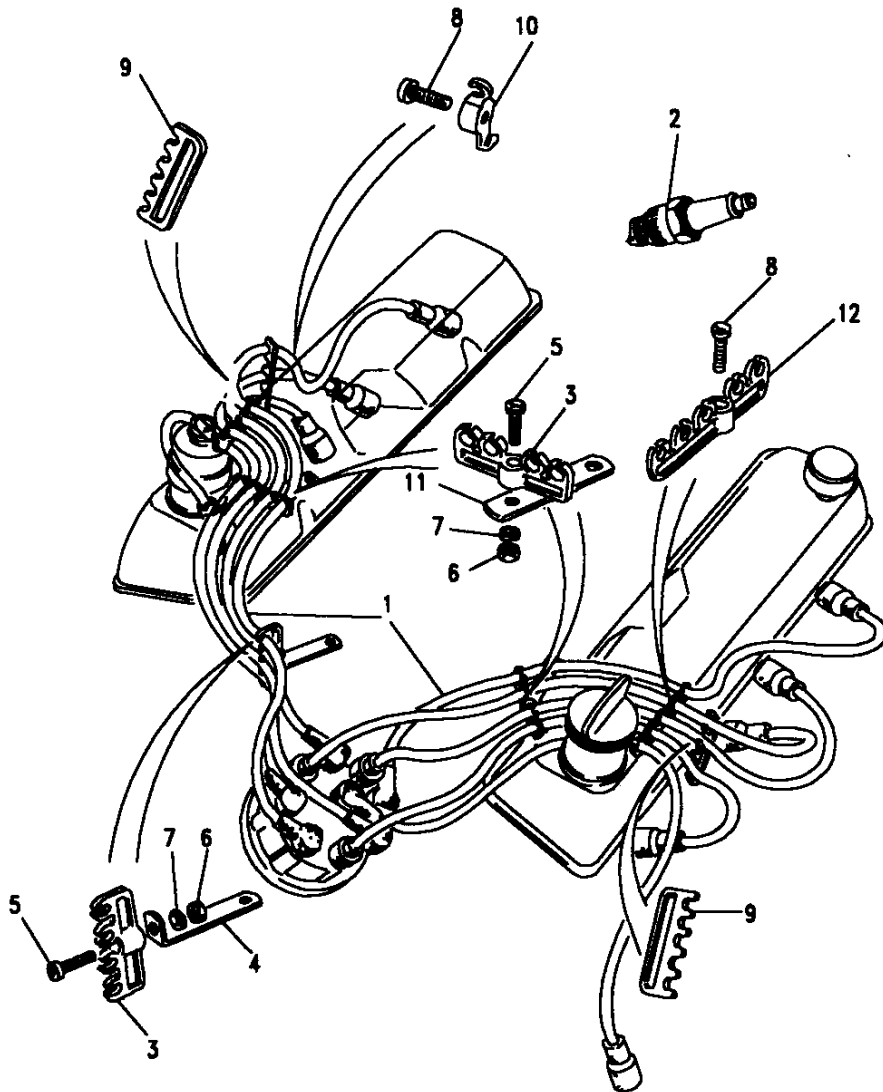
**Model** RANGE ROVER 1992 onwards  
**Page** BDBRPA3A

**ENGINE - IGNITION COIL - EFI**



Ill. Part No.	Description	Qty	Remarks
1	RTC5628	1	Ignition coil LUCAS
	PRC6574	1	Ignition coil BOSCH
	YYG10005	2	Bolt - Clearlock M8
	ERR5210	1	Bracket mounting - H/Sink
2	PRC1360	1	Capacitor
	ADU7242L	1	Capacitor
3	FS108301L	2	Bolt
4	WL108001L	2	Washer plain
5	WA108051L	2	Washer plain
6	NH108041L	2	Nut
	AMR2224	1	Lead bonded
	AMR2515	1	Lead bonded
7	DRC1752L	1	Suppressor
	ERR4019	1	Diode
8	PRC6144	1	Lead link coil
	FS108201L	2	Screw
	WA108051L	4	Washer plain
	WL108001L	2	Washer spring
	PRC7365	1	Suppressor RADIO

Note(1) Upto JA624755  
 Note(2) From KA624758



**Model** RANGE ROVER 1992 onwards  
**Page** BDBRPA2A

**ENGINE - HIGH TENSION LEADS - EFI**

III. Part No.	Description	Qty	Remarks
1	RTC6551	1	Lead set SILICON
	ETC8610	1	Lead plug No.1 silicon
	ETC8611	1	Lead plug No.3 silicon
	ETC8612	1	Lead plug No.5 silicon
	ETC8613	1	Lead plug No.2 silicon
	ETC8614	1	Lead plug No.4 silicon
	ETC8615	1	Lead plug No.6 silicon
	ETC8616	1	Lead plug No.8 silicon
	ETC8617	1	Lead plug No.7 silicon
	ERR1807	1	Lead king
	ERR4788	1	Lead king
	AMR2515	1	Lead distributor/earth

**Leads from VIN MA647645**

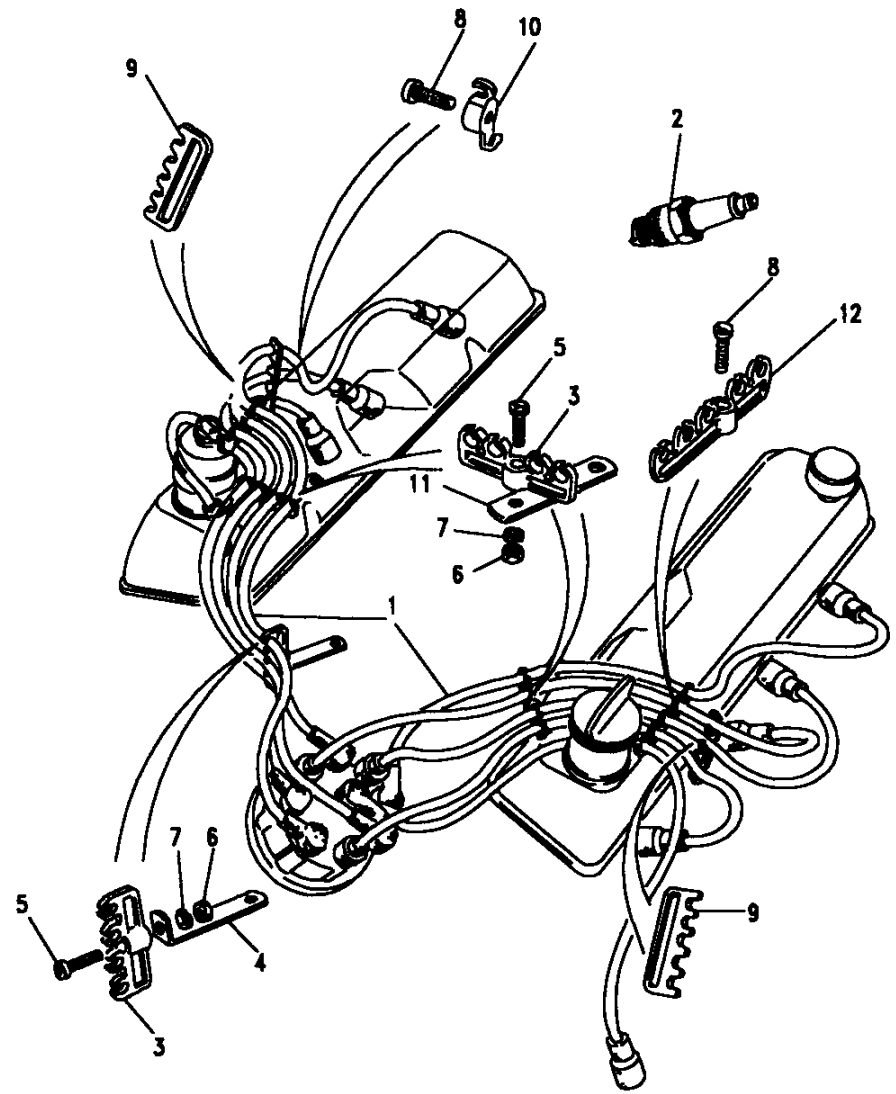
	ERR4121	1	Lead plug no.1
	ERR4122	1	Lead plug no.2
	ERR4123	1	Lead plug no.3
	ERR4124	1	Lead plug no.4
	ERR4125	1	Lead plug no.5
	ERR4126	1	Lead plug no.6
	ERR4127	1	Lead plug no.7
	ERR4128	1	Lead plug no.8
	ERR4129	1	Lead high tension
2	ERR743	8	Spark plug RN9YC-H/COM
	ETC7244	8	Spark plug RN12YC-L/COM
	ERR3799	8	Spark plug RN11YCC

Note(1) Upto JA624755  
 Note(2) From KA624756  
 Note(3) King lead held in place with PRC3180

**Model** RANGE ROVER 1992 onwards  
**Page** BDBRPA2A

**ENGINE - HIGH TENSION LEADS - EFI**

III. Part No.	Description	Qty	Remarks
3	603672	3	Retainer HT leads
4	ETC6237	1	Bracket support
5	SE910011L	1	Screw No 10
6	NH910011L	1	Nut No.10UNF
7	WL700101L	3	Washer spring
8	AB610041L	4	Screw
9	603673	1	Retainer spark plug cable
10	587477	1	Retainer spark plug cable
11	ETC6093	2	Support ignition cable
12	ETC7971	1	Retainer 5way



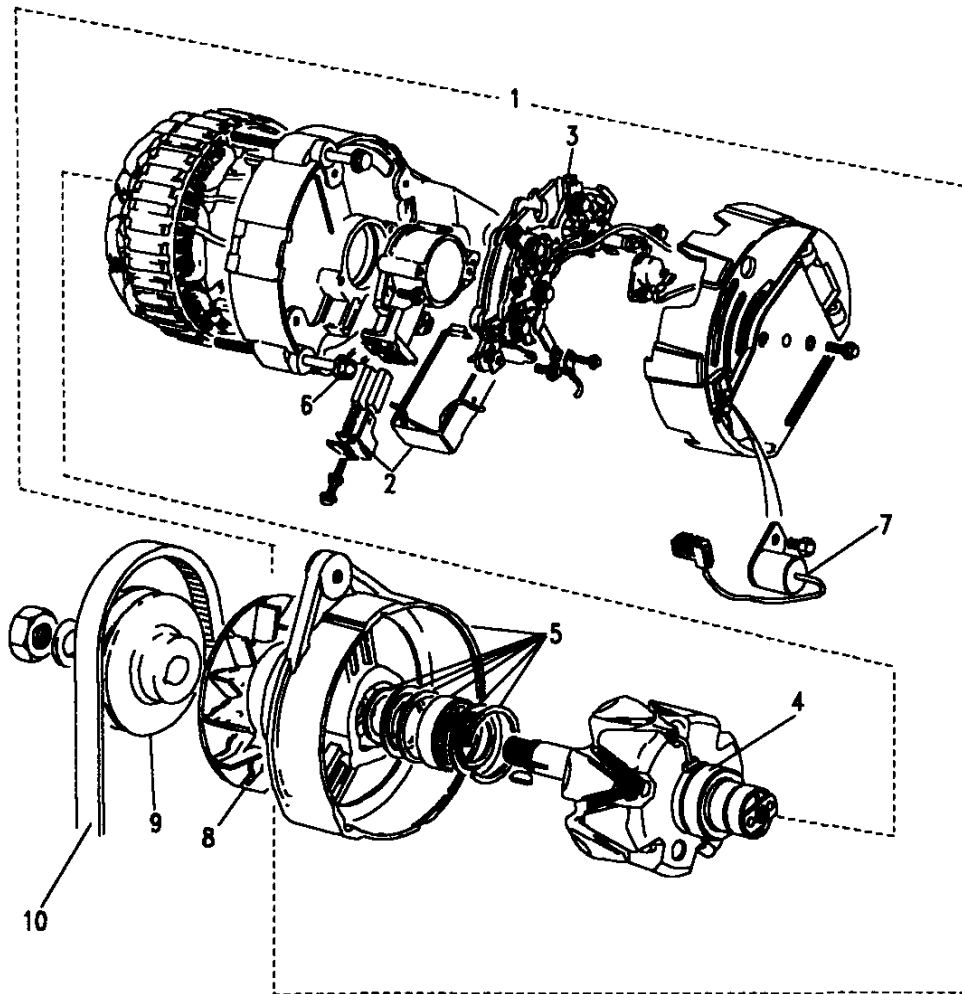


**Model** RANGE ROVER 1992 onwards  
**Page** BDBRPC1A

**ENGINE - ALTERNATOR - EFI**

III. Part No.	Description	Qty	Remarks
1	STC234	1	Note(1)
	RTC5680E	1	
2	RTC5670	1	
	Regulator	1	
3	RTC5671	1	
	Rectifier	1	
4	RTC5047	1	
	Bearing-slip ring end	1	
5	RTC5687	1	
	Bracket & bearing-drive	1	
6	RTC5046	1	
	Kit-through bolts	1	
7	RTC6114	1	
	Capacitor & lead	1	
8	605410	1	
	Fan A127/65 AMP	1	
9	ETC9083	1	
	Pulley-68mm	1	
10	ERR2073	1	
	Belt	1	

Note(1) LUCAS NUMBER IS 24220

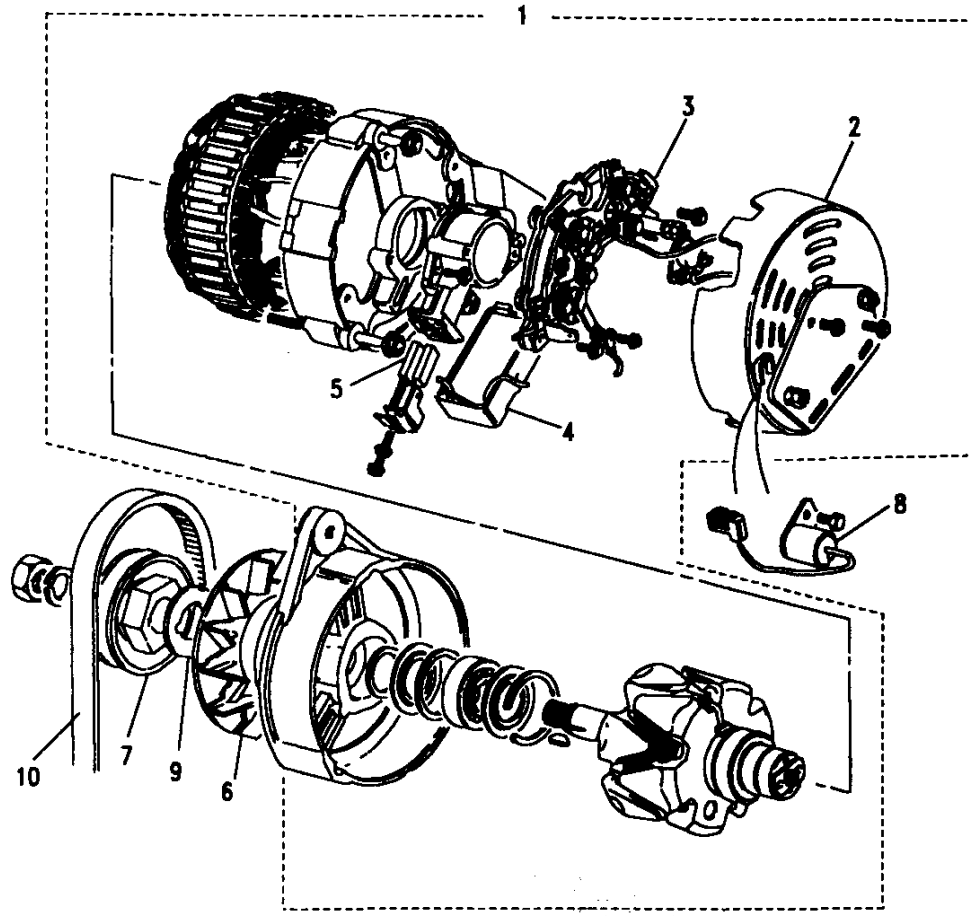


**Model** RANGE ROVER 1992 onwards  
**Page** BDBRPC2A

**ENGINE - ALTERNATOR - EFI**

III. Part No.	Description	Qty	Remarks
1	STC232	1	Note(1)(2)
	STC1753	1	Kit alternator
	RTC5053E	1	Note(2)Exchange
	YLE10099	1	Note(3)
	YLE10100	1	Note(3)
	AMR3107	1	Note(4)
2	RTC5610	1	Cover
	AMR2263	1	Cover-terminal
	AMR2217	1	Nut/washer-5mm
	AMR2218	1	Nut/washer-6mm
3	RTC5609	1	Rectifier
	STC986	1	Rectifier-85/100AMP
4	RTC5928	1	Regulator
	STC985	1	Regulator-85/100AMP

Note(1) LUCAS NUMBER IS 24229 no longer available. Use Kit RTC1753.  
 Note(2) Upto JA624755  
 Note(3) From KA624756-LUCAS No 54022469-85AMP/54022470-100AMP  
 Note(4) From VIN MA647645

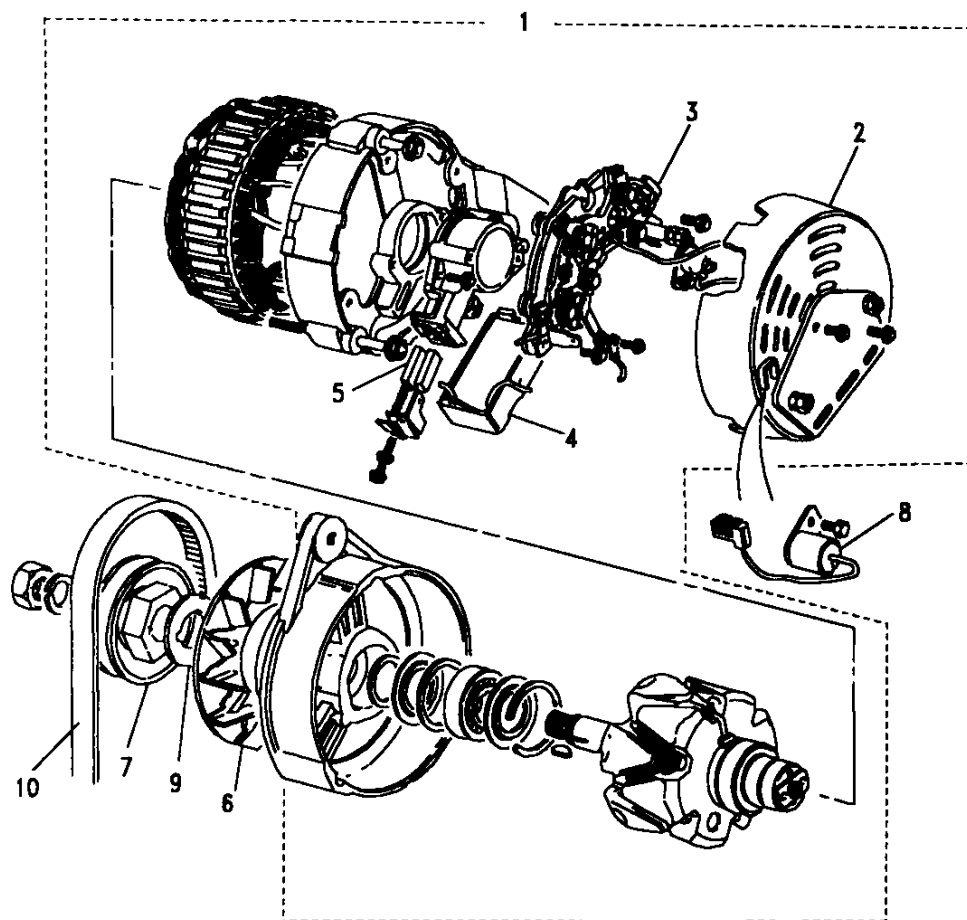


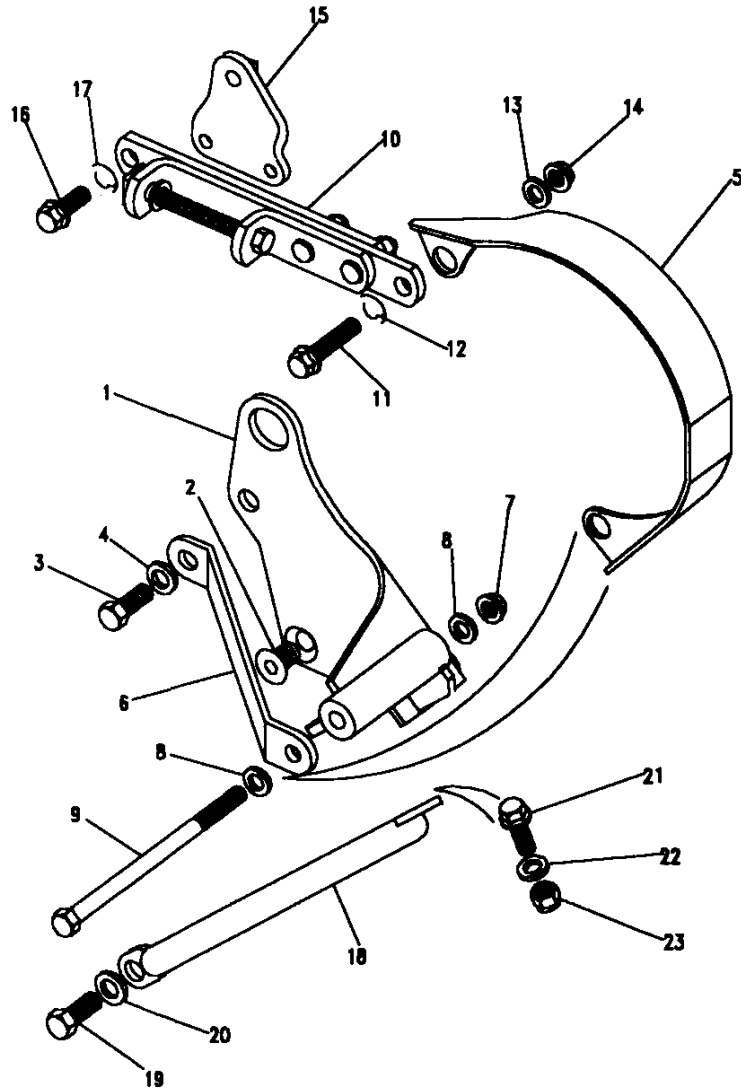
**Model** RANGE ROVER 1992 onwards  
**Page** BDBRPC2A

**ENGINE - ALTERNATOR - EFI**

III. Part No.	Description	Qty	Remarks
5	RTC5611	1	Brush set
6	RTC5054	1	Fan
7	ERR767	1	Pulley
	STC862	1	Pulley-4 groove
8	AEU1616	2	Suppressors
9	RTC6166	2	Spacer
10	ERR2073	1	Belt alternator
	ERR2678	1	Belt alternator
	ERR1606	1	Heatshield (80amp)
	PRC3180	2	Clip heatshield
	ERR3764	1	Heatshield (85amp/100amp)

Note(1) Upto JA624755  
 Note(2) From KA624756-LUCAS No 54022469-85AMP/54022470-100AMP  
 Note(3) Suppressors can be round or square





**Model** RANGE ROVER 1992 onwards  
**Page** BDBRPC3A

**ENGINE - ALTERNATOR MOUNTING - EFI**

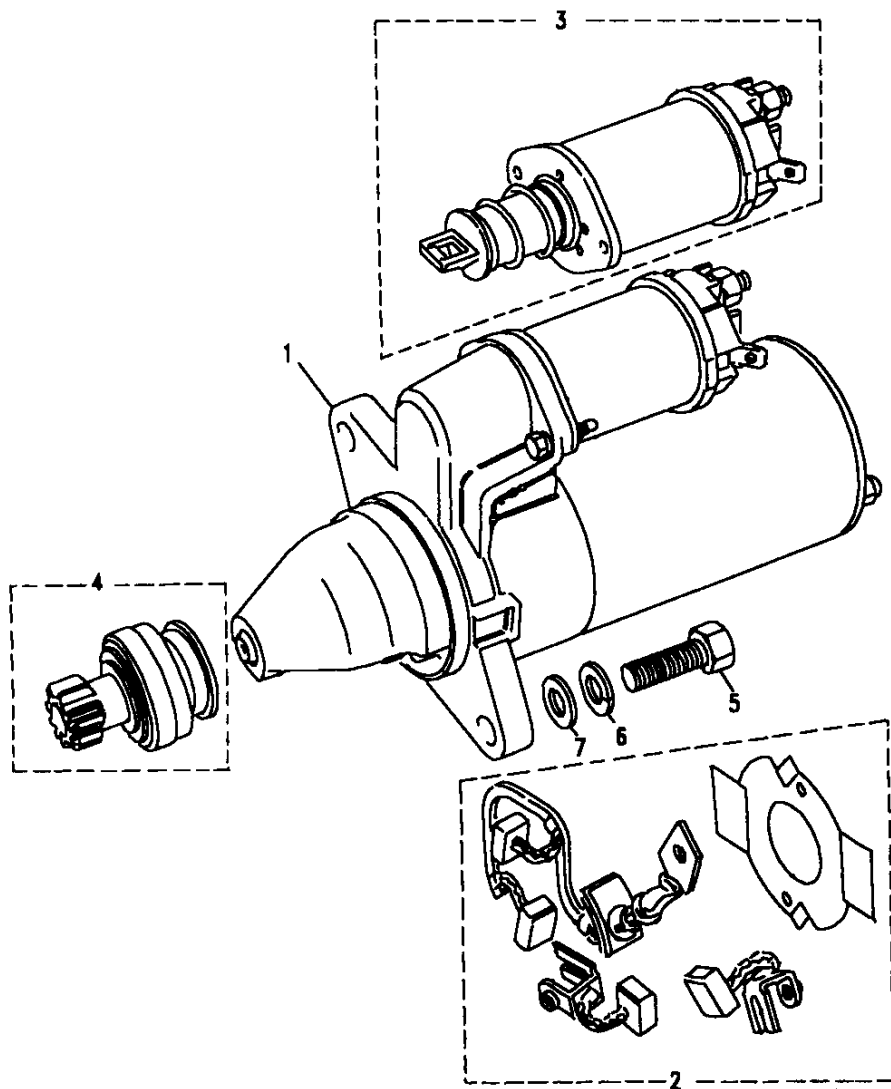
Ill. Part No.	Description	Qty	Remarks
1	ERR1929	1	Upto JA624755
	ERR2676	1	From KA624756
	ERR3763	1	From KA624756
2	ETC8765	1	
3	SH506095L	2	
4	4594L	2	
5	ETC8440	1	
	ERC5830	2	
	ETC8559	2	
	Bush	2	
6	ERR1588	1	Upto JA624755
	ERR2677	1	From KA624756
7	FN108041L	2	
8	WA108051L	4	
9	BH108281	1	
10	ERR1574	1	
11	FS108351L	1	
12	WL108001L	1	
13	WA108051L	2	
14	FN108041L	1	
15	ERR1885	1	Upto JA624755
	ERR2673	1	From KA624756
16	FS108201L	1	
17	WL108001L	1	
18	ERR1589	1	
19	SH506095L	1	
20	WA110061L	1	
21	FS108251L	1	
22	WA108251	1	
23	NY108051L	1	

**Model** RANGE ROVER 1992 onwards  
**Page** BDBRPE1A

**ENGINE - STARTER MOTOR - EFI**

III. Part No.	Description	Qty	Remarks
<b>Used up to 36D19508A,38D25791A,40D03276A</b>			
1	RTC6061N	1	Note(1)
	RTC5228E	1	Note(2)
2	RTC5048	1	)
3	RTC5049	1	)
4	RTC5050	1	)
5	SS506121L	2	)Used on
6	WM600061L	2	)RTC6061N
7	WA110061L	2	)
	PRC3623	1	)
	PRC5208	1	)

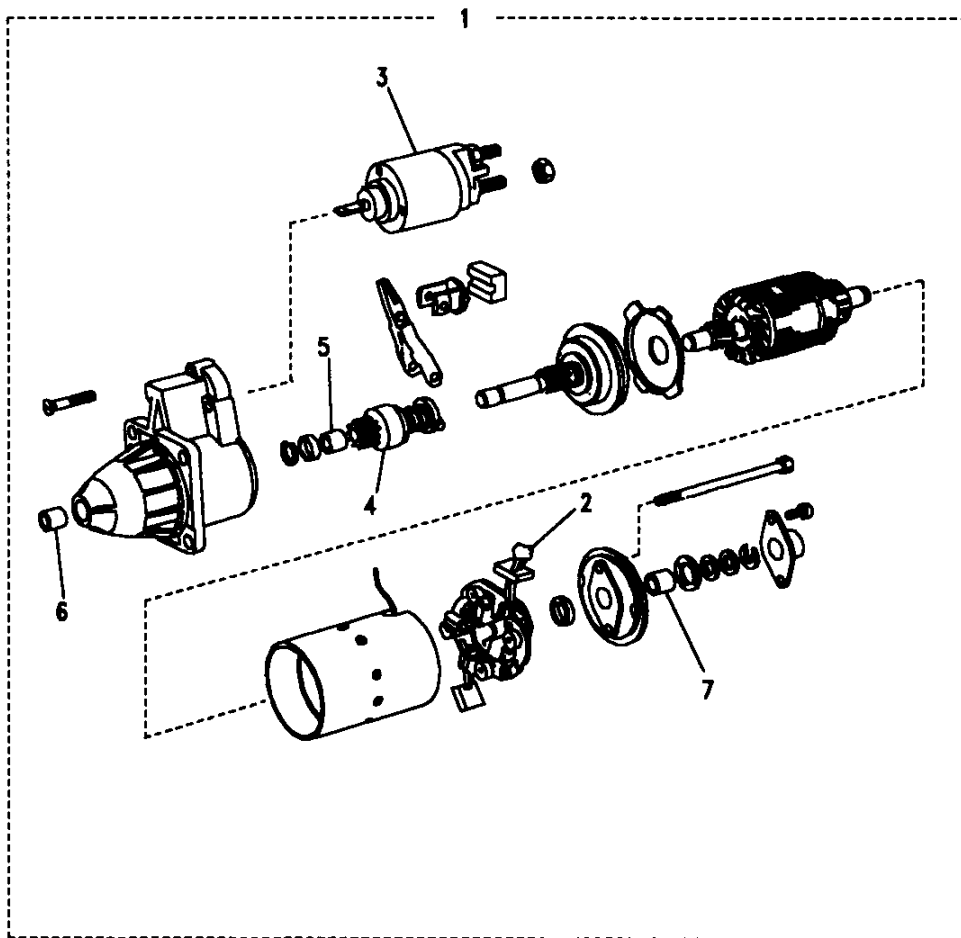
Note(1) M78R smaller type starter  
 Note(2) 3M100 larger type starter



**Model** RANGE ROVER 1992 onwards  
**Page** BDBRPE2A

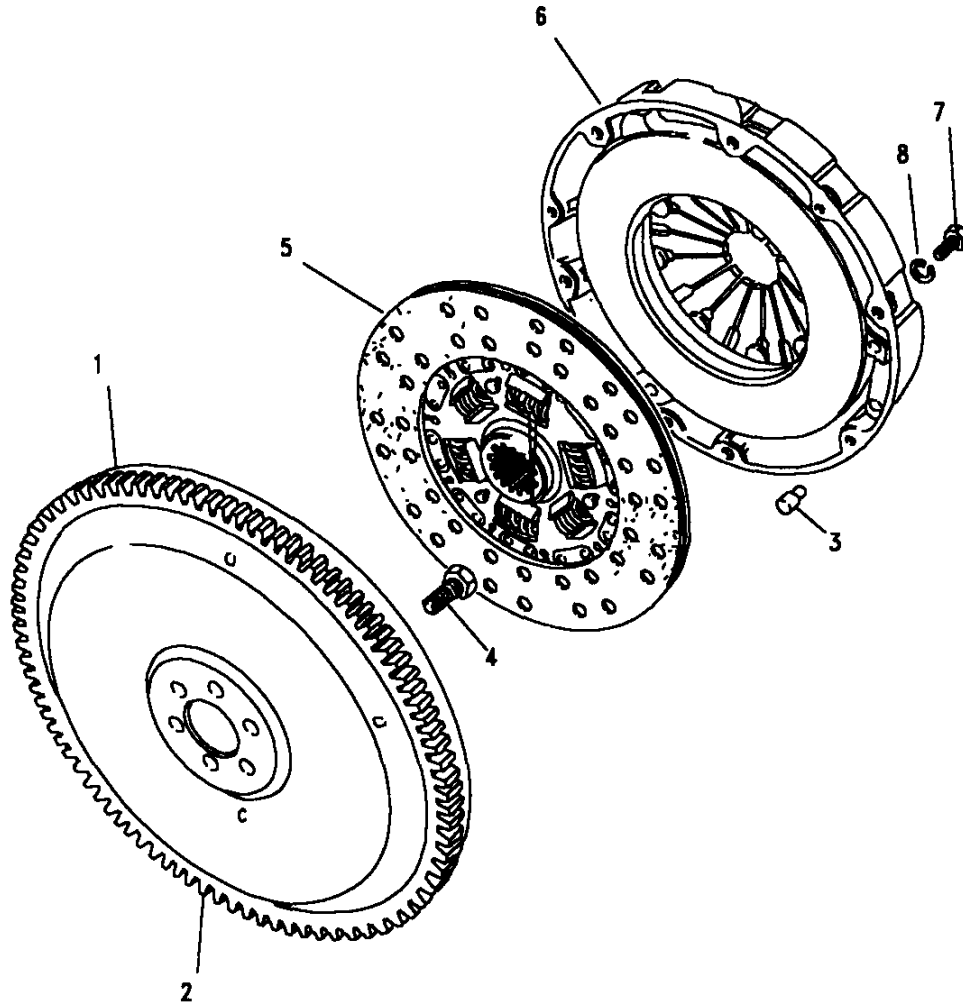
**ENGINE - STARTER MOTOR - EFI**

III. Part No.	Description	Qty	Remarks
<b>Used from 36D19509A,38D25792A,40D03277A</b>			
1	NAD10038 Starter motor	1	
2	STC1243 Brush holder	1	
3	STC1242 Solenoid	1	
4	STC1241 Drive assembly	1	
5	STC1250 Bush	2	
6	STC1252 Bush	1	
7	STC1253 Bush	1	



**Model** RANGE ROVER 1992 onwards  
**Page** BDBRRA1A

**ENGINE - FLYWHEEL & CLUTCH - EFI**

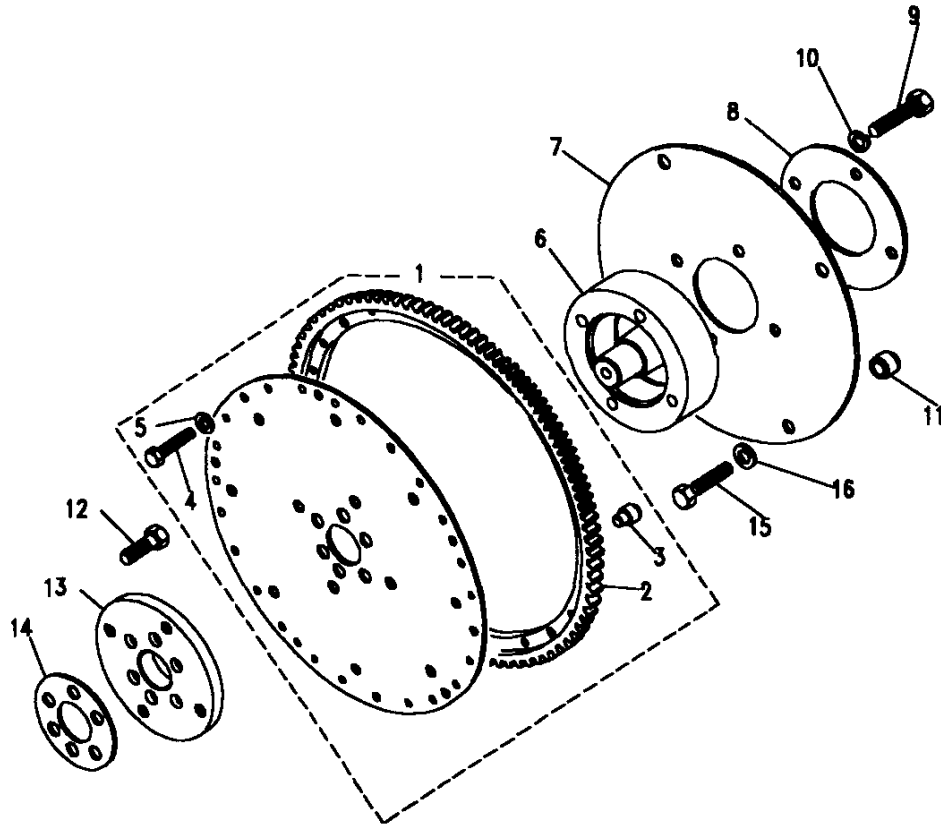


III. Part No.	Description	Qty	Remarks
1	ERR2264	1	Flywheel & starter ring
2	611323	1	Starter ring
3	6395L	3	Dowel-ring flywheel
4	SH607081L	6	Screw 7/16"UNCx1"F/Whl-Cr
5	FTC2002	1	Clutch plate assembly
6	FTC2001	1	Clutch Cover
7	SH606061L	6	Screw 3/8"UNF
8	WM600061L	6	Washer spring

**Model** RANGE ROVER 1992 onwards  
**Page** BDBRRA2A

**ENGINE - DRIVE PLATE - EFI**

Ill. Part No.	Description	Qty	Remarks
1	FRC7851 Drive plate assembly	1	
2	603340 Starter ring	1	
3	529364 Dowel	2	
4	610735 Bolt 5/16"UNF	10	
5	610736 Washer plain-special	8	
6	FRC7075 Spigot aligner	1	
7	FRC7081 Converter drive plate	1	
8	FRC7080 Butress ring	1	
9	BH110111L Bolt M10	4	
10	WL110001L Washer	4	
11	FRC5004 Dowel	1	
12	SS607061 Screw	6	
13	FRC7042 Spacer-crankshaft	1	
14	FRC9203 SHIM T/C height		A/R
	FRC9205		A/R
	FRC9207		A/R
	FRC9209		A/R
	FRC9211		A/R
15	SH110201L Screw	4	
16	WA110061L Washer	4	



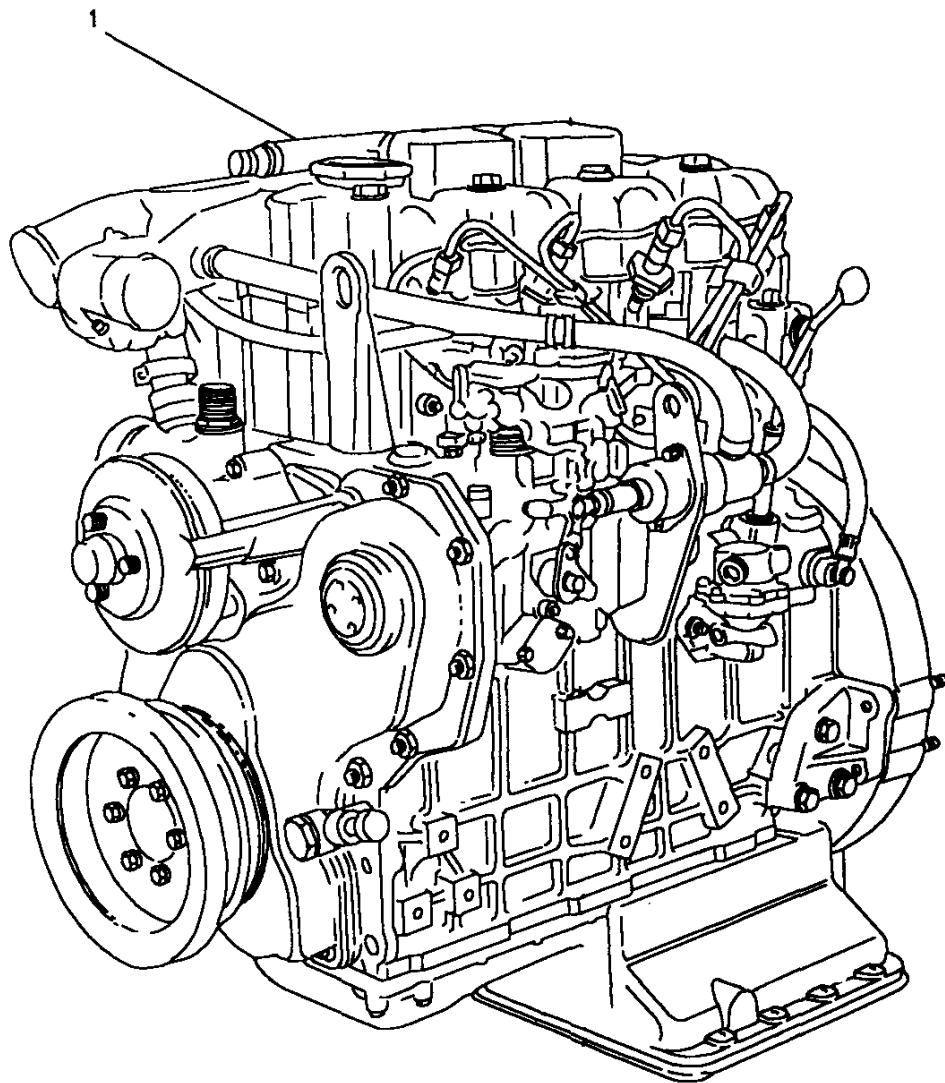


**MASTER INDEX**

	PAGES
INTRODUCTION PAGES	1 - 3
ALPHABETICAL INDEX	4 - 9
ENGINE	10 - 50
ENGINE	51 - 88
ENGINE	89 - 133
ENGINE	134 - 172
GEARBOX	173 - 194
GEARBOX	195 - 211
GEARBOX	212 - 238
TRANSFER BOX	239 - 252
AXLES AND SUSPENSION	253 - 313
STEERING	314 - 332
VEHICLE AND ENGINE CONTROLS	333 - 343
BRAKES	344 - 374
FUEL SYSTEM AND AIR CLEANER	375 - 401
EXHAUST SYSTEM	402 - 409
COOLING/HEATING	410 - 456
BODY ELECTRICAL	457 - 574
BODY AND CHASSIS	575 - 681
INTERIOR TRIM	682 - 772
SEATS	773 - 843
SEATS	844 - 862
STOWAGE	863 - 865
ACCESSORIES - PAINTS	866 - 893
NUMERICAL INDEX	895 - 958

**GROUP B**
**ENGINE**
**ENGINE**

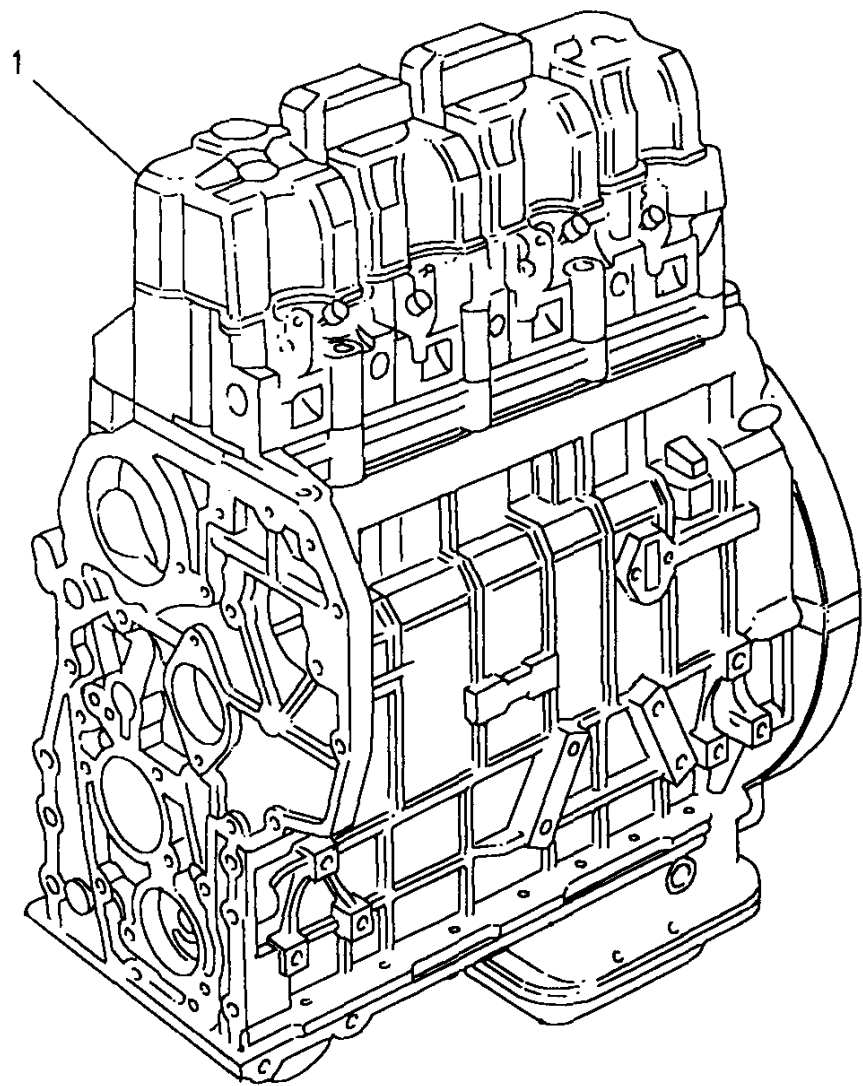
ENGINE COMPLETE - 2.5 DIESEL TURBO	135
ENGINE STRIPPED - 2.5 DIESEL TURBO	136
CYLINDER BLOCK - 2.5 DIESEL TURBO	137
ADAPTORS BLOCK - 2.5 DIESEL TURBO	138
CRANKSHAFT - 2.5 DIESEL TURBO	139
BEARINGS CRANKSHAFT - 2.5 DIESEL TURBO	140
PISTON & RINGS - 2.5 DIESEL TURBO	141
OIL SUMP - 2.5 DIESEL TURBO	142
MOUNTING BRACKET FRONT - 2.5 DIESEL TURBO	143
MOUNTING BRACKET REAR - 2.5 DIESEL TURBO	144
FRONT COVER - 2.5 DIESEL TURBO	145
WATER PUMP - 2.5 DIESEL TURBO	146
COOLING FAN - 2.5 DIESEL TURBO	147
OIL FILTER - 2.5 DIESEL TURBO	148
CYLINDER HEAD - 2.5 DIESEL TURBO	149
VALVE ROCKERS - 2.5 DIESEL TURBO	150
ROCKER COVER - 2.5 DIESEL TURBO	151
CAMSHAFT - 2.5 DIESEL TURBO	152
THERMOSTAT - 2.5 DIESEL TURBO	153
COLD START - 2.5 DIESEL TURBO	154
INTAKE MANIFOLD - 2.5 DIESEL TURBO	155
EXHAUST MANIFOLD - 2.5 DIESEL TURBO	156
FUEL PUMP - 2.5 DIESEL TURBO	157
INJECTOR PUMP - 2.5 DIESEL TURBO	158
INJECTOR ASSEMBLY - 2.5 DIESEL TURBO	159 - 160
TURBOCHARGER - 2.5 DIESEL TURBO	161 - 162
GASKET KIT - 2.5 DIESEL TURBO	163
VACUUM PUMP - 2.5 DIESEL TURBO	164
POWER STEERING PUMP - 2.5 DIESEL TURBO	165
COMPRESSOR ASSEMBLY - 2.5 DIESEL TURBO	166
ALTERNATORS - 2.5 DIESEL TURBO	167 - 168
ALTERNATOR MOUNTINGS - 2.5 DIESEL TURBO	169
STARTER MOTOR - 2.5 DIESEL TURBO	170
FLYWHEEL HOUSING - 2.5 DIESEL TURBO	171
FLYWHEEL & CLUTCH - 2.5 DIESEL TURBO	172



**Model** RANGE ROVER 1992 onwards  
**Page** BDBWAA1A

**ENGINE - ENGINE COMPLETE - 2.5 DIESEL TURBO**

III. Part No.	Description	Qty	Remarks
1 ETC9104N	Engine complete	1	95A01007-

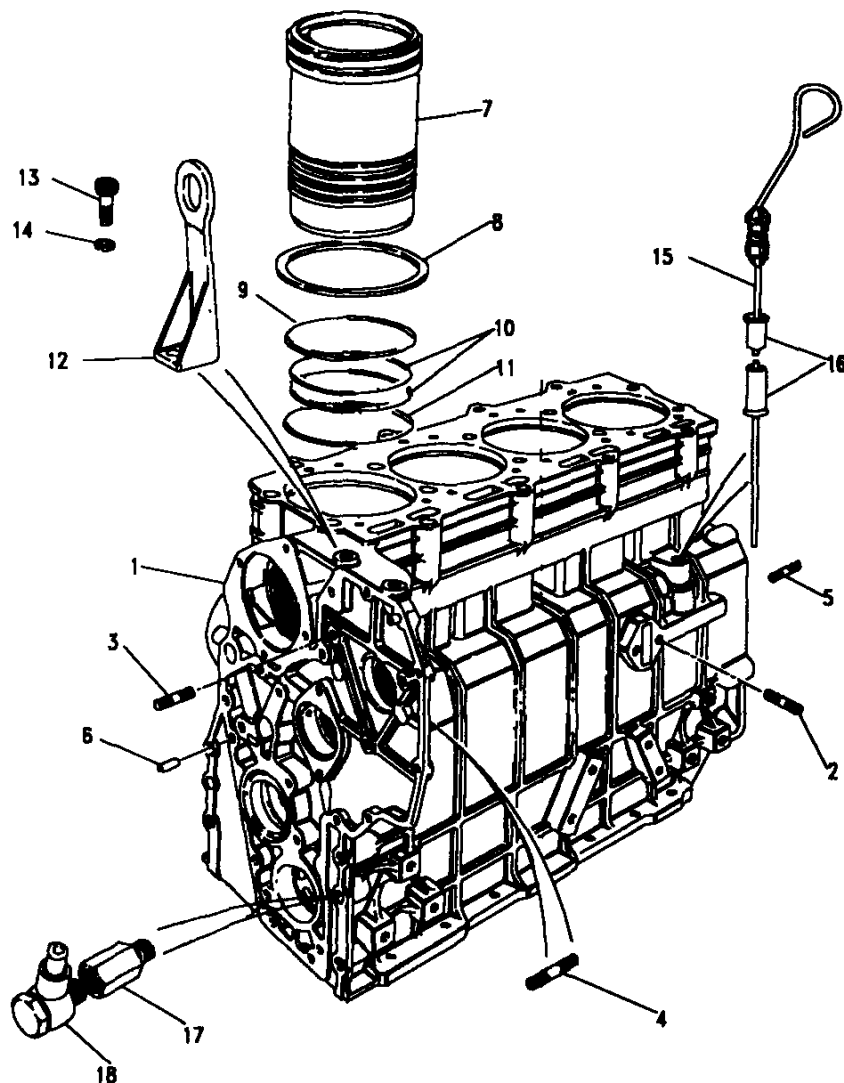


**Model** RANGE ROVER 1992 onwards  
**Page** BDBWAC1A

**ENGINE - ENGINE STRIPPED - 2.5 DIESEL TURBO**

Ill. Part No.	Description	Qty	Remarks
1	Engine stripped		

Note(1) Stripped and Short engines are not available



**Model** RANGE ROVER 1992 onwards  
**Page** BDBWBA1A

**ENGINE - CYLINDER BLOCK - 2.5 DIESEL TURBO**

III. Part No.	Description	Qty	Remarks
1	RTC6649	1	Cylinder block assembly
2	RTC6762	2	Stud M8-fuel pump
3	RTC6763	2	Stud M8-injector pump
4	RTC6764	1	Stud M8-injector pump
5	RTC6761	6	Stud M8-flywheel housing
6	AEU2180L	2	Dowel-front cover
7	AEU2001L	4	Liner cylinder
8	AEU2272L	A/R	Shim-0.15mm
	AEU2273L	A/R	Shim-0.20mm
	AEU2290L	A/R	Shim-0.23mm
9	STC159	4	O ring-top-brown 1.78
10	RTC6766	8	O ring-middle-black 2.62
11	RTC6765	4	O ring-bottom-brown 2.62
12	AEU2288L	1	Front lifting eye
13	SS110451L	1	Screw M10x45mm
14	WL110001L	1	Washer spring
15	RTC6663	1	Dipstick
	STC658	1	Dipstick
16	AEU2796L	1	Tube-dipstick
17	RTC6647	1	Adaptor
18	RTC6648	1	Valve one way

Note(1)

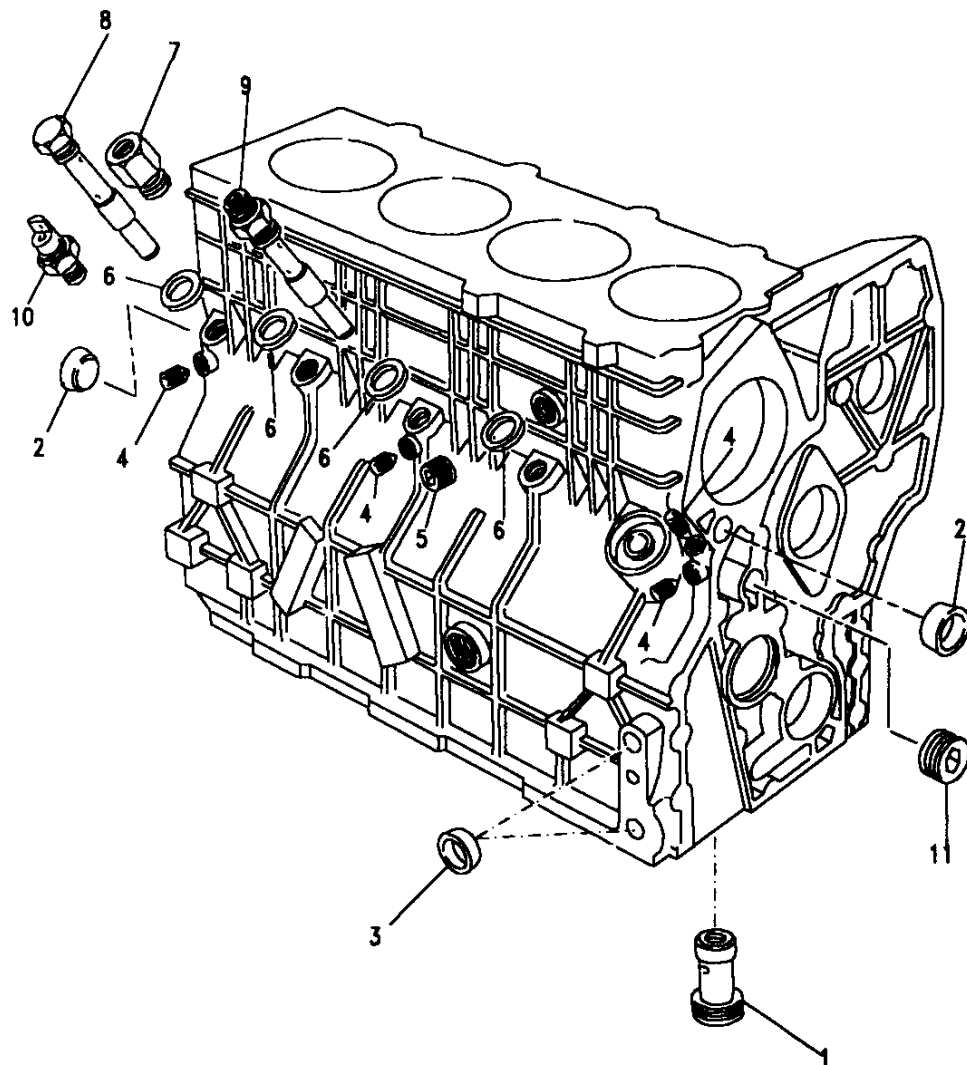
Part of gasket kit STC158

Note(2)

Dipstick for TWO-PIECE sump

Note(3)

Dipstick for ONE-PIECE sump



**Model** RANGE ROVER 1992 onwards  
**Page** BDBWBA2A

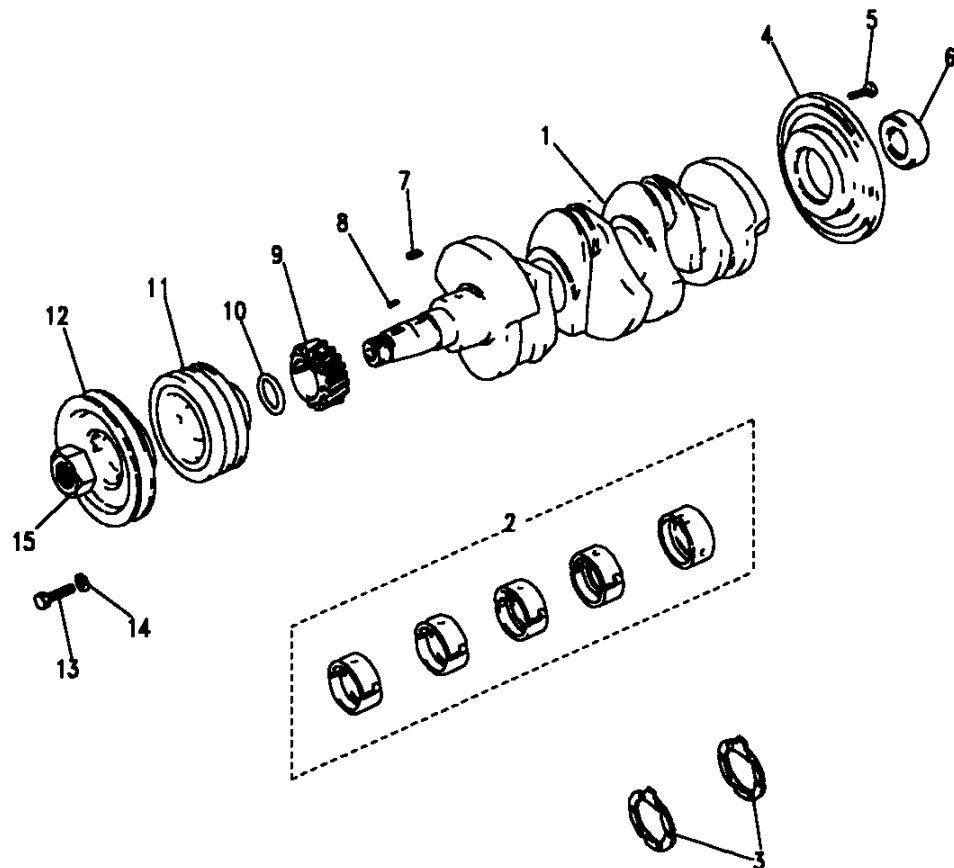
**ENGINE - ADAPTORS BLOCK - 2.5 DIESEL TURBO**

III. Part No.	Description	Qty	Remarks
1	AEU2195L	1	
2	AEU2196L	2	
3	AEU2198L	2	
4	AEU2199L	4	
5	AEU2200L	1	
6	AEU2228L	4	Note(1)
7	RTC4966	1	
8	AEU2230L	2	
9	AEU2285L	1	
10	PRC6387	1	
11	RTC6711	1	

Note(1) Part of gasket kit STC158

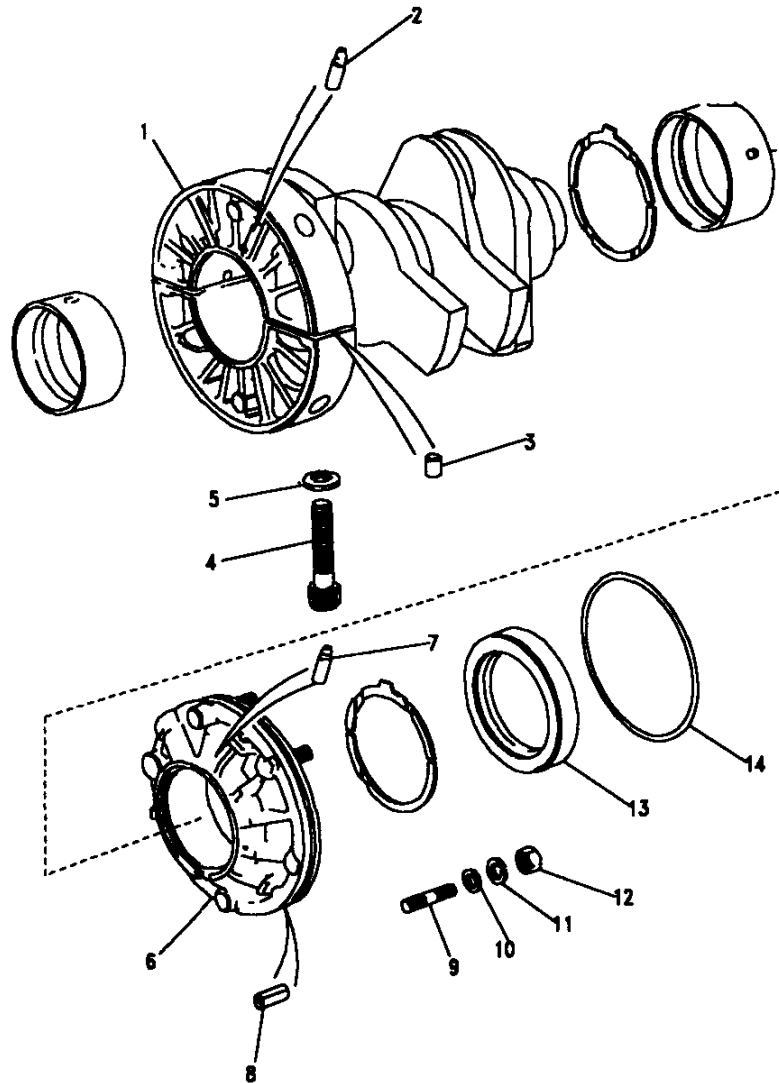
**Model** RANGE ROVER 1992 onwards  
**Page** BDBWCA1A

**ENGINE - CRANKSHAFT - 2.5 DIESEL TURBO**



Ill. Part No.	Description	Qty	Remarks
1	RTC6653	1	Crankshaft
2	RTC2765SL	1	Kit-bearing standard
2	STC651S	1	Kit-bearing standard
	RTC276525L	1	Kit-bearing 25mm u/s
3	AEU2020L	1	Washer thrust standard
	AEU2021L	1	Washer thrust 0.0039"
	AEU2022L	1	Washer thrust 0.0078"
4	ETC9044	1	Housing spigot
5	SH106101L	3	Screw M6
6	ETC9043	1	Bearing
7	AEU2008L	1	Key-timing gear
8	AEU2009L	1	Key-pulley
9	AEU2010L	1	Gear timing
10	AEU2173L	1	O ring
11	RTC6655	1	Damper pulley
12	RTC6654	1	Pulley AIR CON
13	SS108401	6	Screw M8x40
14	WL108001L	6	Washer spring
15	NT124041	1	Nut-pulley/crank
16		3	Washer flat

Note(1) Kit contains 3 split rings and 2 whole  
 Note(2) Kit contains 4 split rings and 1 whole

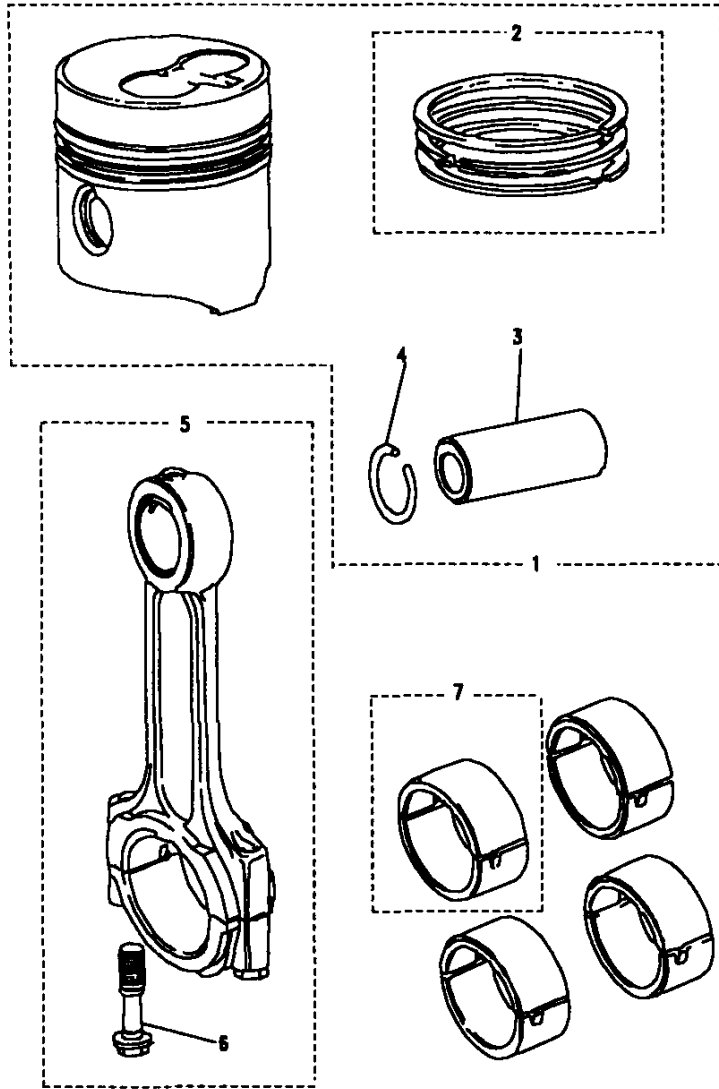


**Model** RANGE ROVER 1992 onwards  
**Page** BDBWCA2A

**ENGINE - BEARINGS CRANKSHAFT - 2.5 DIESEL TURBO**

III. Part No.	Description	Qty	Remarks
1 AEU2023L	Bearing centre hous/assy	3	)Upto
2 AEU2294L	Valve jet	3	)95A15970
1 STC818	Bearing centre hous/assy	3	)Note(1)
2 STC817	Valve jet	4	)
3 AEU2025L	Dowel	6	
4 AEU2026L	Bolt	6	
5 AEU2027L	Washer plain	6	
6 RTC6709	Bearing rear hous/assy	1	)Upto
7 AEU2794L	Valve jet	4	)95A15970
6 STC819	Bearing rear hous/assy	1	)Note(1)
7 STC817	Valve jet	4	)
8 AEU2029L	Dowel split	1	
9 RTC6761	Stud M8x25	6	
10 WA108041L	Washer plain	6	
11 WL108001L	Washer spring	6	
12 NH108041L	Nut	6	
13 RTC6710	Seal oil-crankshaft rear	1	Note(2)
14 AEU2035L	O ring-crankshaft rear	1	Note(2)

Note(1) Use from 95A15971 New bearing will not need THRUST WASHER  
 Note(2) Part of gasket kit STC158



**Model** RANGE ROVER 1992 onwards  
**Page** BDBWCC1A

**ENGINE - PISTON & RINGS - 2.5 DIESEL TURBO**

III. Part No.	Description	Qty	Remarks
1 RTC6646	Piston assembly	4	
2 AEU2284L	Kit piston ring std	4	
3 RTC5003	Gudgeon pin	4	
4 AEU2042L	Ring spring	8	
5 RTC6645	Con rod assembly	4	Note(1)
STC1573	Con rod set	1	Note(1)
6 AEU2038L	Bolt	8	

**Con Rod Bearing Engine Set**

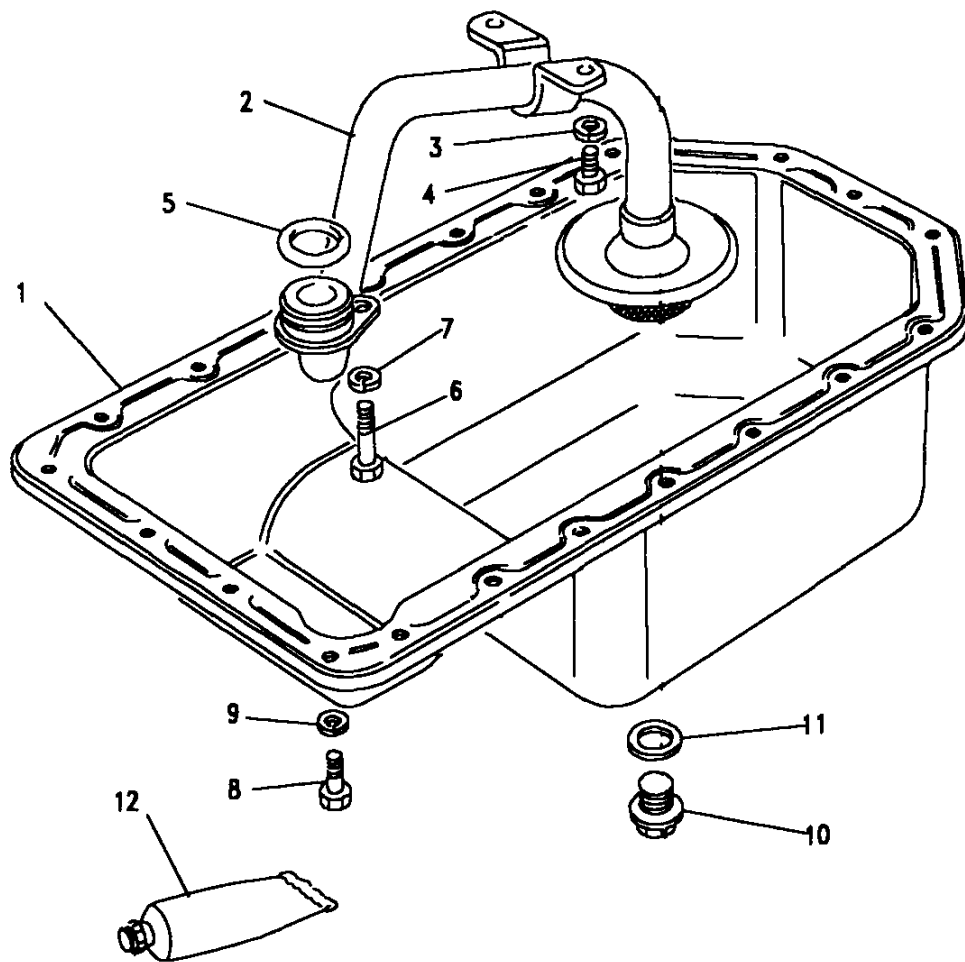
7 AEU2039L	Bearing set standard	4	
AEU2040L	Bearing set 0.010"	4	
AEU2041L	Bearing set 0.020"	4	

Note(1) Connecting rods now supplied as a set of 4



**Model** RANGE ROVER 1992 onwards  
**Page** BDBWDA1A

**ENGINE - OIL SUMP - 2.5 DIESEL TURBO**

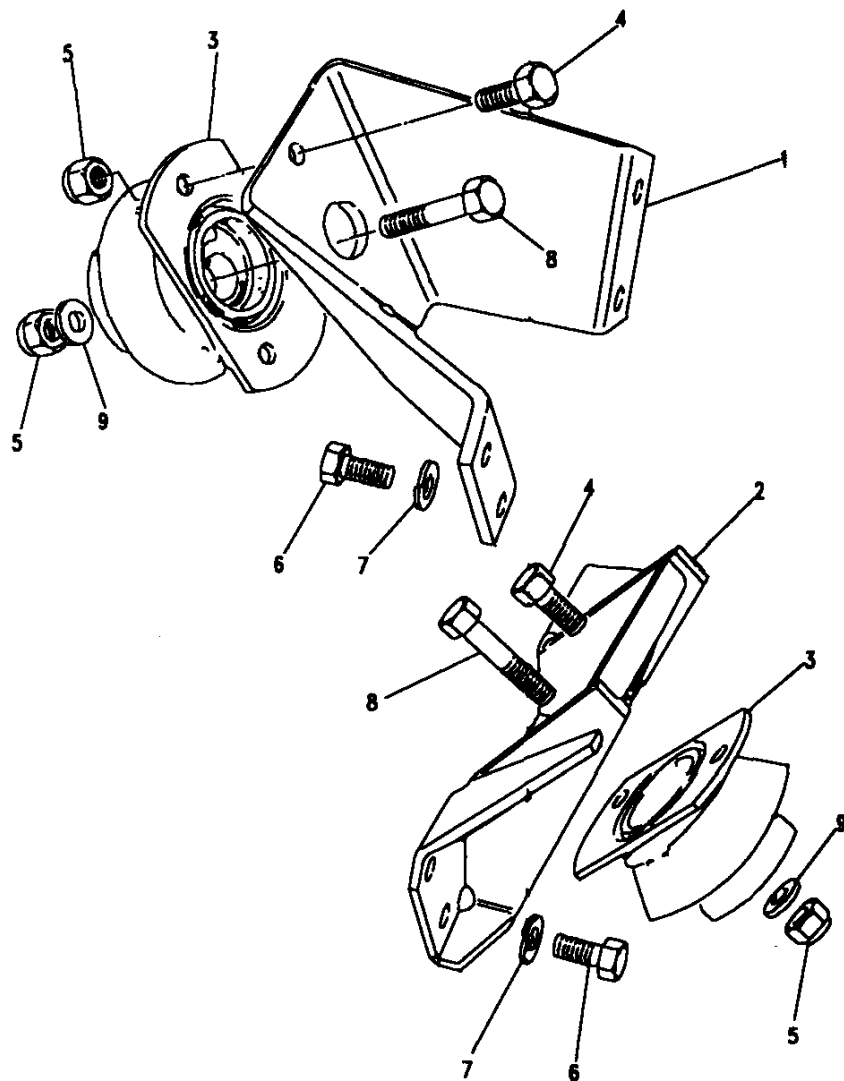


III. Part No.	Description	Qty	Remarks
1	STC701 Sump	1	
2	RTC6767 Pipe pick up	1	
3	WA106041L Washer spring	2	
4	SH106141L Screw M6X15-pipe/block	2	
5	AEU2281L O ring-adaptor/block	1	Note(1)
6	BH106101L Bolt M6x50mm	1	
7	WL106001L Washer spring	1	
8	FS106201 Bolt M6x20mm	21	
9	WL106001L Washer spring	21	
10	BAU4978L Plug-oil drain	1	
11	BAU4979L Washer sealing	1	Note(1)
12	RTC3254 Sealant-sump/block	A/R	

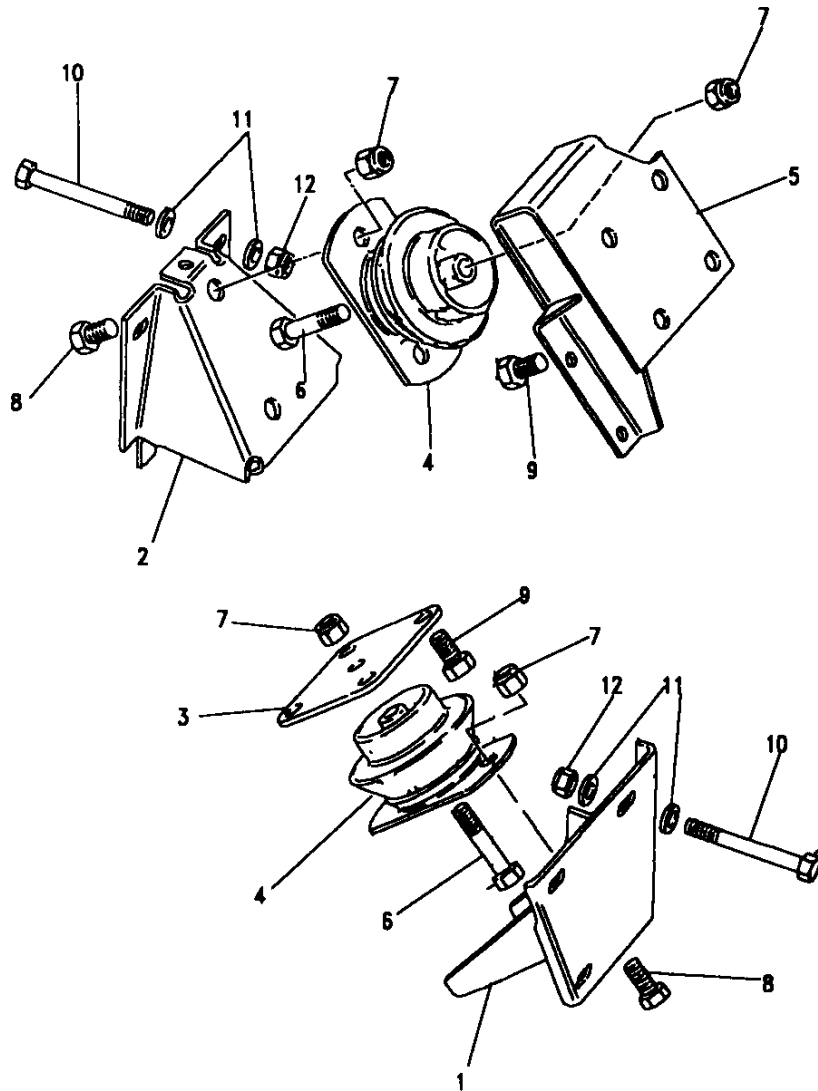
Note(1) Part of gasket kit STC158

**Model** RANGE ROVER 1992 onwards  
**Page** BDBWDC1A

**ENGINE - MOUNTING BRACKET FRONT - 2.5 DIESEL TURBO**



III. Part No.	Description	Qty	Remarks
1	NTC3237	1	Mounting engine brkt FRT
2	NTC2776	1	Mounting engine brkt FRT
3	NTC3241	2	Mounting rubber
4	SH110251L	4	Screw M10x25mm
5	NY110041L	4	Nut M10
6	SH110201L	8	Screw M10x20mm
7	WL110001L	8	Washer spring
8	BH110121L	2	Bolt M10x80mm
9	WA110001L	2	Washer plain

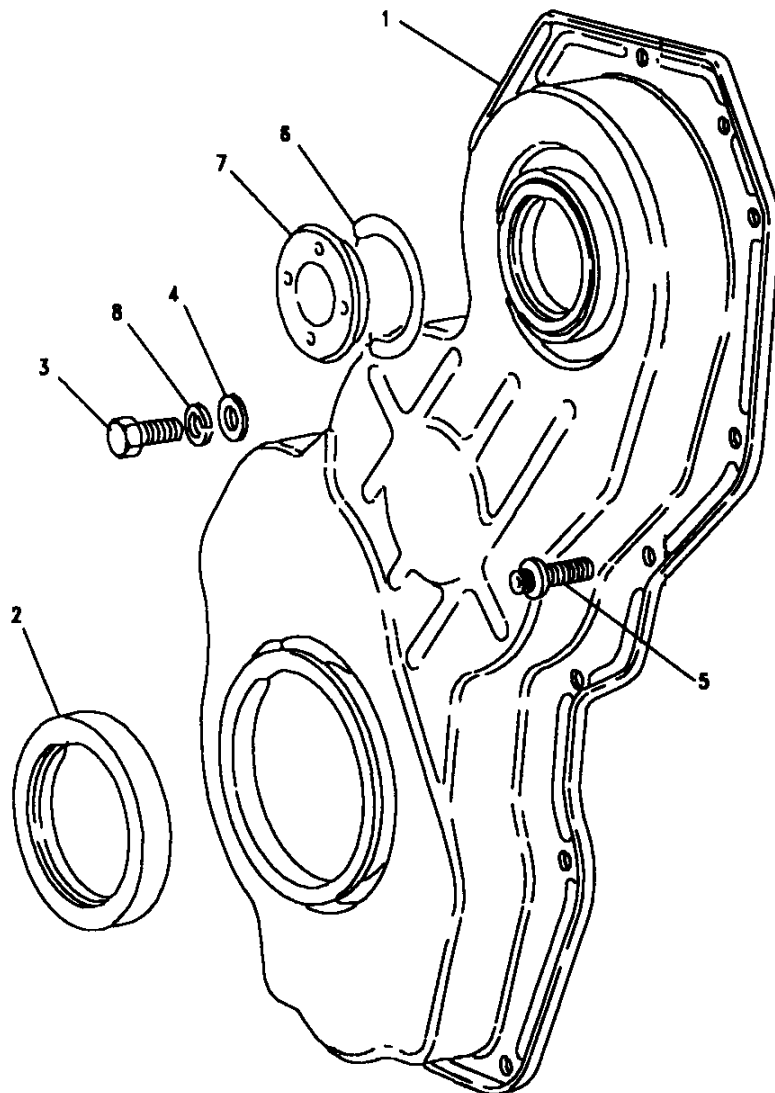


Model . RANGE ROVER 1992 onwards

Page BDBWDC2A

ENGINE - MOUNTING BRACKET REAR - 2.5 DIESEL TURBO

Ill. Part No.	Description	Qty	Remarks
1	NTC7271	1	Bracket chassis rear RH
2	NTC2306	1	Bracket chassis rear LH
3	NRC8204	1	Plate mounting
4	NTC3242	1	Rubber mounting
	NTC7270	1	Rubber mounting RH
5	NTC5867	1	Bracket eng/mtg rear LH
	NTC7272	1	Bracket eng/mtg rear RH
6	BH110121L	2	Bolt M10x55mm
7	NY110041L	6	Nut M10
8	SH110251L	4	Screw M10x25mm
9	SH112201	8	Screw M12x20mm
10	BH108201L	6	Bolt M8
11	WA108051L	12	washer plain
12	NY108041L	6	Nut-nyloc M8



**Model** RANGE ROVER 1992 onwards  
**Page** BDBWEA1A

**ENGINE - FRONT COVER - 2.5 DIESEL TURBO**

III. Part No.	Description	Qty	Remarks
1	RTC6656	1	
2	RTC6771	1	Note(1)
	AEU2179L	1	
3	SH108161L	1	
4	WA108051L	1	
5	RTC6716	13	
6	RTC6658	1	Note(1)
7	RTC6657	1	
8	WA106041L	1	
	RTC6772	1	

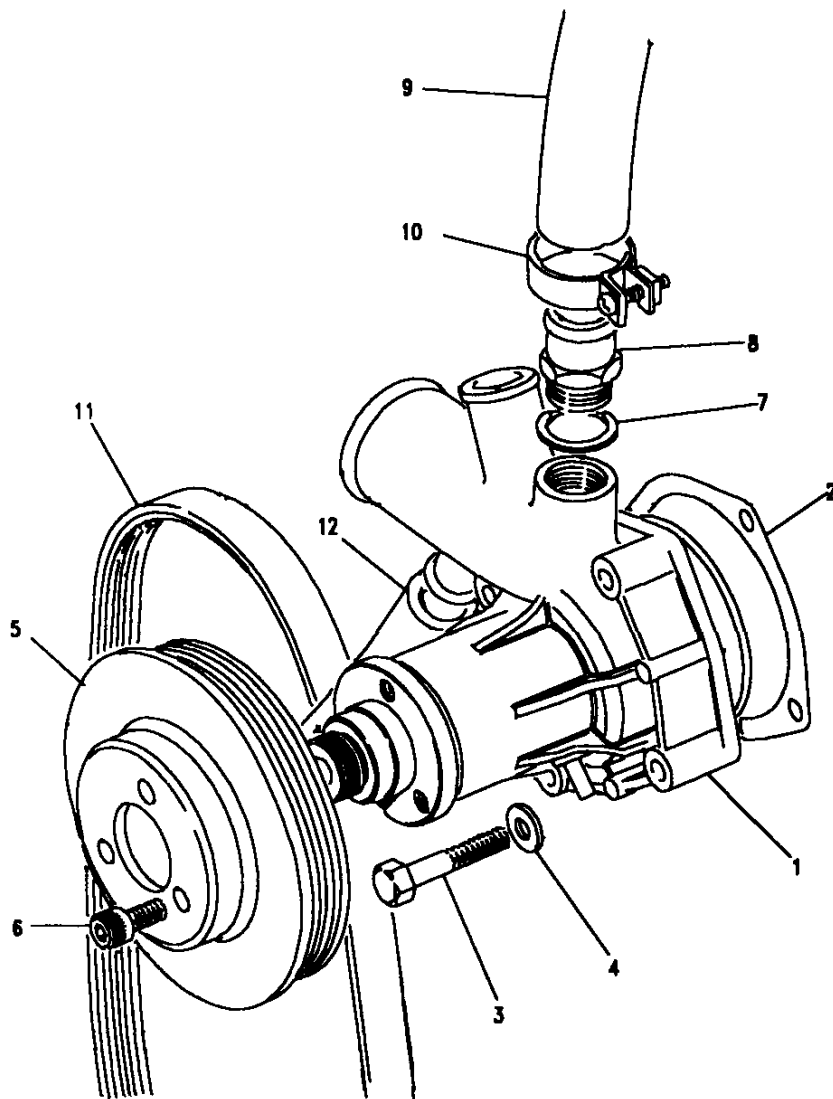
Note(1) Part of gasket kit STC158

**Model** RANGE ROVER 1992 onwards  
**Page** BDBWEE1A

**ENGINE - WATER PUMP - 2.5 DIESEL TURBO**

III. Part No.	Description	Qty	Remarks
1	RTC8666	1	
2	STC805	1	Note(1)
3	BH108091L	4	
4	WA108041L	4	
5	RTC8671	1	
6	SS108161	3	
7	RTC8773	1	
8	RTC8670	1	
9	RTC8668	1	
10	EAC22723	2	
11	ERR416	1	
	ERR914	1	
12	RTC8669	1	

Note(1) Part of gasket kit STC158

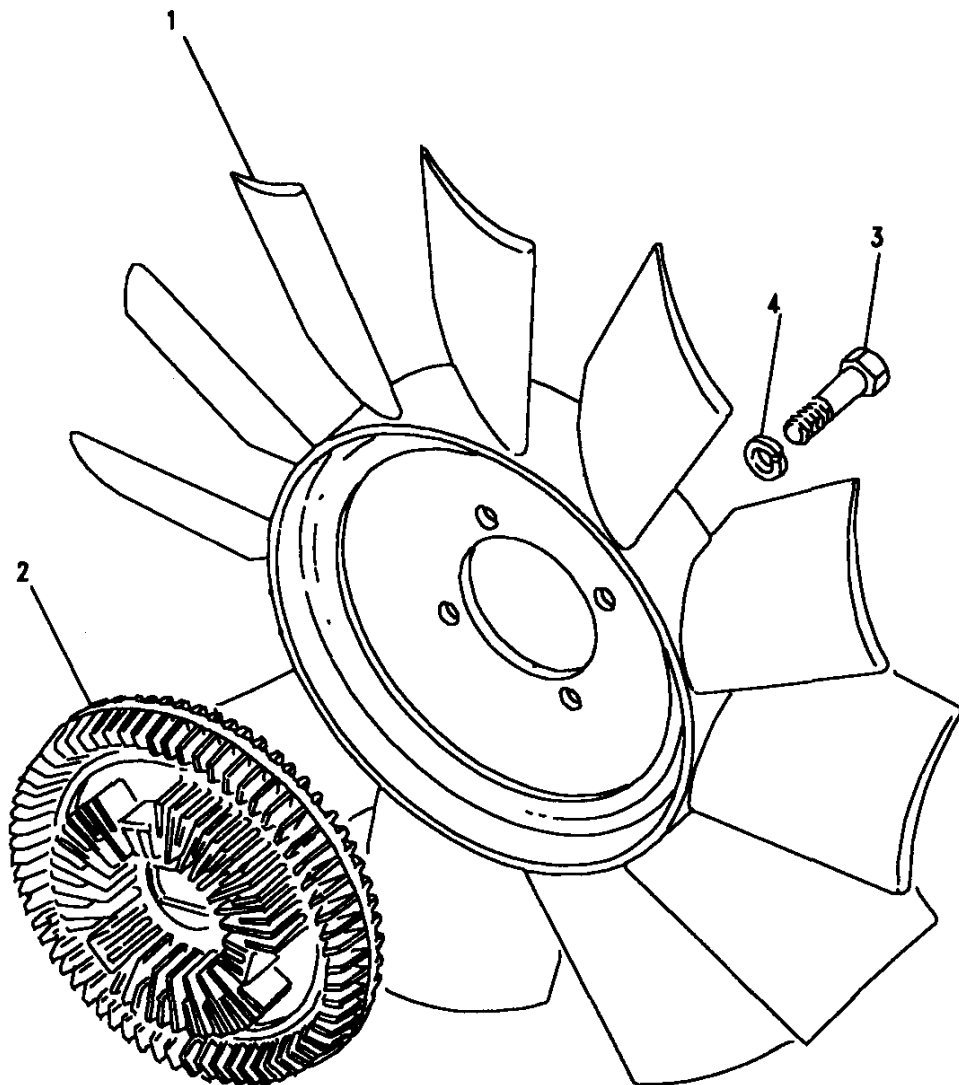


**Model** RANGE ROVER 1992 onwards

**Page** BDBWEG1A

**ENGINE - COOLING FAN - 2.5 DIESEL TURBO**

III. Part No.	Description	Qty	Remarks
1 ETC1275	Fan-11 blades-17"	1	
2 ETC1260	Viscous drive	1	
3 SH505051L	Screw 5/16"UNC x5/8"	4	
4 587405	Washer plain	4	

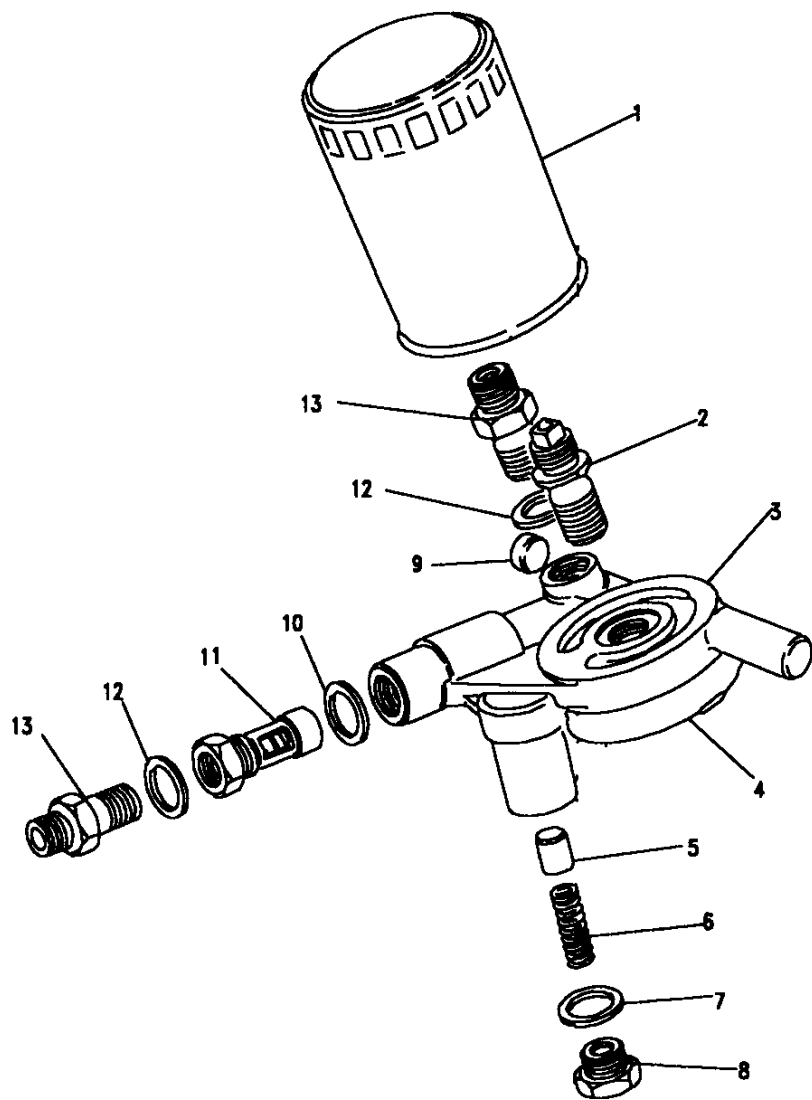


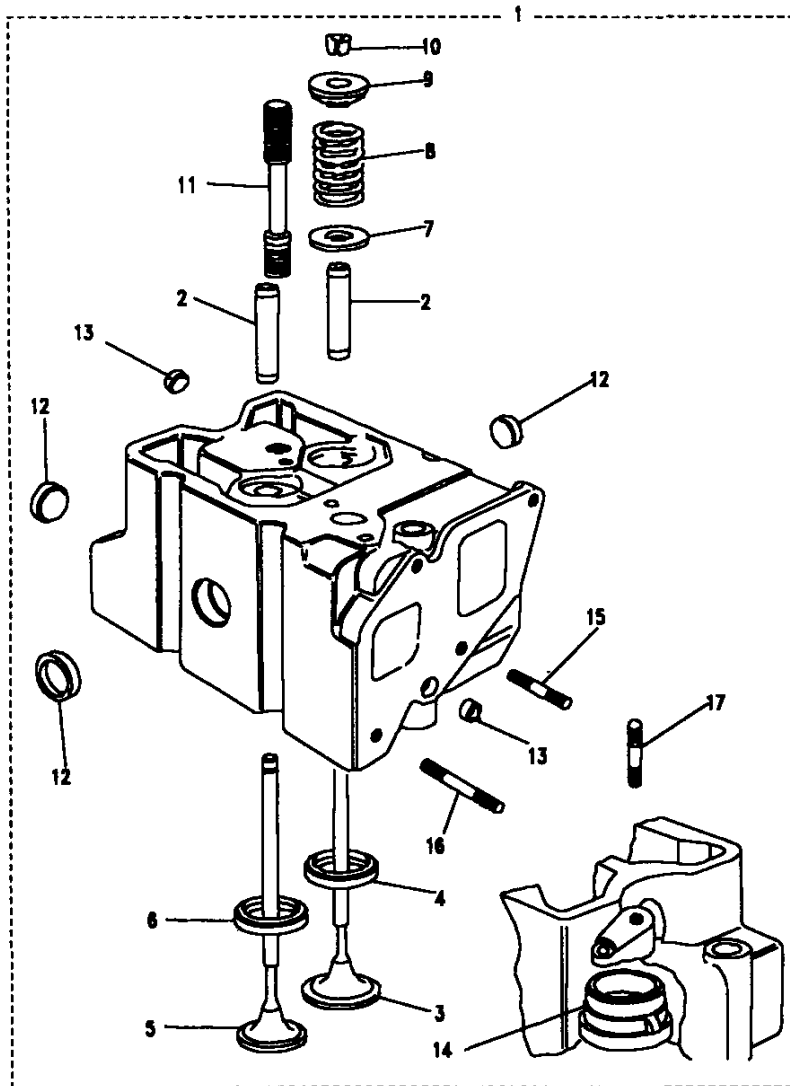
**Model** RANGE ROVER 1992 onwards  
**Page** BDBWFA1A

**ENGINE - OIL FILTER - 2.5 DIESEL TURBO**

III. Part No.	Description	Qty	Remarks
1 AEU2218L	Filter oil	1	
2 AEU2226L	Adaptor-filter/plate	1	
3 RTC6376	Plate adaptor	1	
4 RTC6769	Washer sealing	1	Note(1)
5 AEU2875L	Valve relief	1	
6 RTC6770	Spring	1	
7 JAM3254L	Washer sealing	1	Note(1)
8 AEU2876L	Plug	1	
9 AEU2057L	Cup plug	1	
10 AEU2219L	Washer sealing	1	Note(1)
11 AEU2220L	Valve thermostat	1	
12 ETC9065	Washer sealing	2	Note(1)
13 ETC9064	Adaptor	2	

Note(1) Part of gasket kit STC158





**Model** RANGE ROVER 1992 onwards  
**Page** BDBWGA1A

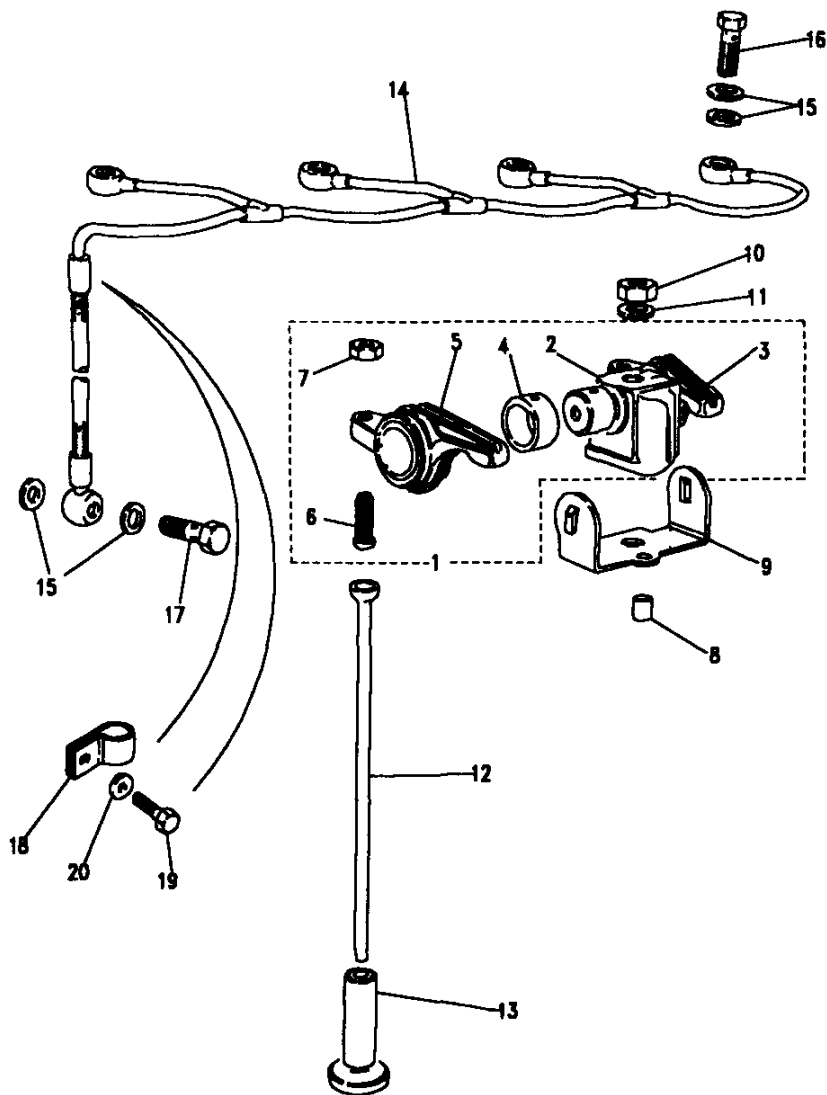
**ENGINE - CYLINDER HEAD - 2.5 DIESEL TURBO**

III. Part No.	Description	Qty	Remarks
1	STC1347	4	Cylinder head assembly
2	AEU2045L	8	Valve guide
3	AEU2296L	4	Valve inlet
4	RTC6704	4	Seat-inlet valve
5	RTC4916	4	Valve exhaust
6	RTC6705	4	Seat-exhaust valve
7	RTC6707	8	Seat spring
8	AEU2051L	8	Spring valve
9	AEU2052L	8	Collar upper
10	AEU2053L	16	Cones split
11	AEU2054L	4	Bolt stud
12	AEU2056L	8	Cup plug
13	AEU2057L	4	Cup plug
14	RTC6708	4	Chamber precombustion
	AEU2198L	4	Cup Plug
	RTC6774	2	Plug
	JAM3256L	4	Washer
15	AEU2207L	8	Stud-inlet manifold
16	RTC6719	8	Stud-exhaust manifold
17	AEU2109L	4	Stud-injectors
	PRC7917	1	Transmitter temperature



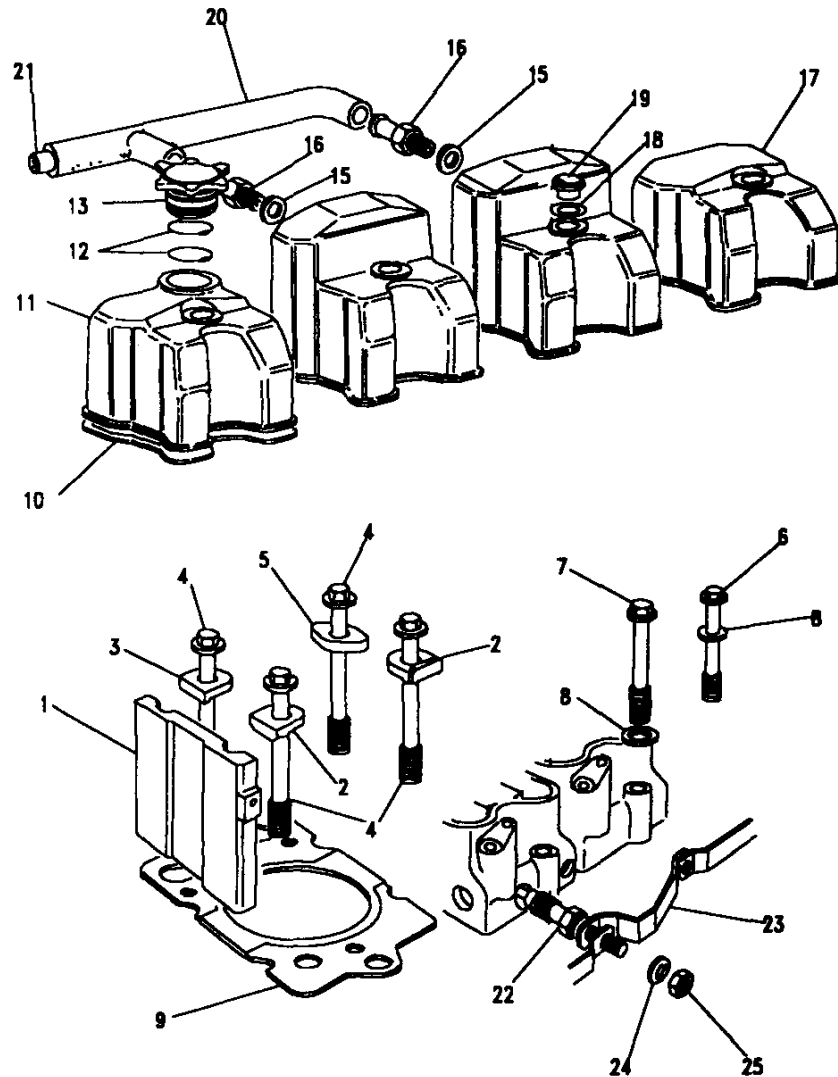
Model RANGE ROVER 1992 onwards  
 Page BDBWGC1A

ENGINE - VALVE ROCKERS - 2.5 DIESEL TURBO



III. Part No.	Description	Qty	Remarks	
1	AEU2059L	4	Valve rocker assembly	
2	AEU2062L	4	Pedestal	
3	AEU2063L	4	Rocker inlet	
4	AEU2067L	4	Bush	Note(1)
5	AEU2064L	4	Rocker exhaust	
6	AEU2065L	8	Screw adjustment	
7	NH108041L	8	Nut M8	
8	AEU2060L	4	Dowel	
9	AEU2061L	4	Plate spring	
10	AEU2068	8	Nut M12-rockers/head	
11	WA112081L	8	Washer plain	
12	AEU2070L	8	Rod push	
13	AEU2069L	8	Cam follower	
14	AEU2071L	1	Pipe oil rockers	
15	AEU2072L	10	Washer sealing	Note(2)
16	AEU2073L	4	Bolt banjo	
17	AEU2074L	1	Bolt banjo	
18	56667	1	P Clip	
19	SH105121L	1	Screw M5x12mm	
20	WA105041L	1	Washer plain	

Note(1) Supplied without oil hole this has to be drilled in rocker  
 Note(2) Part of kit RTC4993



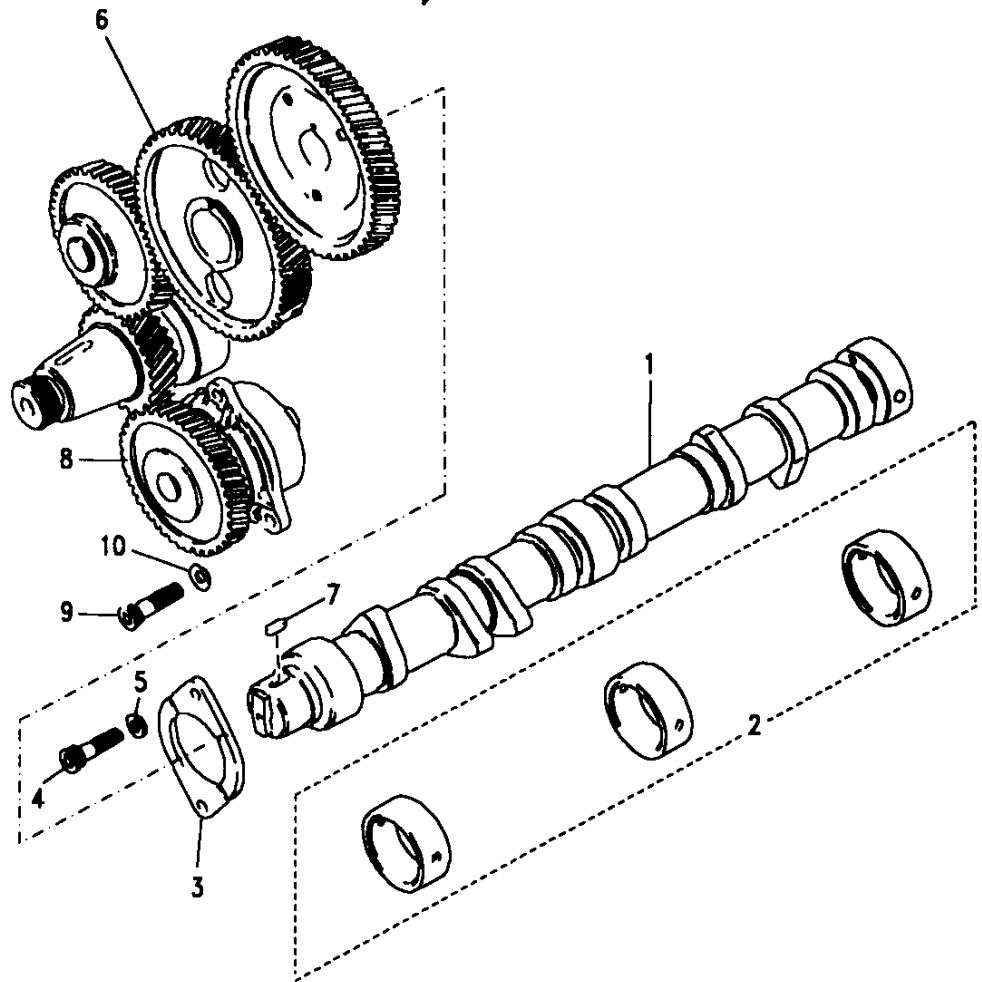
**Model** RANGE ROVER 1992 onwards  
**Page** BDBWGG1A

**ENGINE - ROCKER COVER - 2.5 DIESEL TURBO**

III. Part No.	Description	Qty	Remarks
1	AEU2082L Rocker cover	2	
2	AEU2080L Clamp	5	
3	AEU2079L Clamp	2	
4	AEU2078L Bolt-M12	10	
5	AEU2081L Clamp	3	
6	AEU2083L Bolt M12	4	
7	AEU2085L Bolt M12	4	
8	WB112081L Washer plain	8	
9	STC1570 Gasket cyl head 1.42mm	A/R	
	STC1571 Gasket cyl head 1.52mm	A/R	
	STC812 Gasket-cyl.head-1.62mm	A/R	
10	RTC4892 Gasket-rocker covers	4	Upto 95A18390
	STC814 Gasket-rock/cov one/piece	1	From 95A18391
11	RTC6449 Rocker cover-FRONT	1	
12	AEU2091L Washer sealing-oil filler	2	Note(1)
13	AEU2090L Filler Cap-Oil	1	
14	RTC6450 Rocker Cover-INTER	2	
15	AEU2094L Washer sealing	2	Note(1)
16	AEU2202L Adaptor	2	
17	RTC6451 Rocker Cover-REAR	1	
18	AEU2093L Washer sealing	4	Note(1)
19	AEU3043L Nut-covers/heads	4	
20	BAU5090L Hose-breather	1	
21	BAU5091L Connector-breather hose	2	
22	ERC8648 Glow plug	4	
23	RTC8674 Conductor-glow plug	3	
24	WA105001L Washer plain	4	
25	NH105041L Nut M5	4	

Note(1) Part of gasket kit RTC4993

INJECTOR PUMP



**Model** RANGE ROVER 1992 onwards  
**Page** BDBWGI1A

**ENGINE - CAMSHAFT - 2.5 DIESEL TURBO**

III. Part No.	Description	Qty	Remarks
1	BAU5313L	1	Camshaft
2	AEU2134L	3	Bearings standard
	AEU2135L	3	Bearings 0.010"
3	AEU2137L	3	Plate locating
4	SS108181L	3	Screw-plate/block
5	WL108001L	2	Washer spring
6	AEU2139L	1	Gear-camshaft
7	AEU2136L	1	Key-gear/camshaft
8	AEU2144L	1	Pump oil assembly
9	SS108181L	3	Screw M8
10	AEU2146L	3	Washer belleville

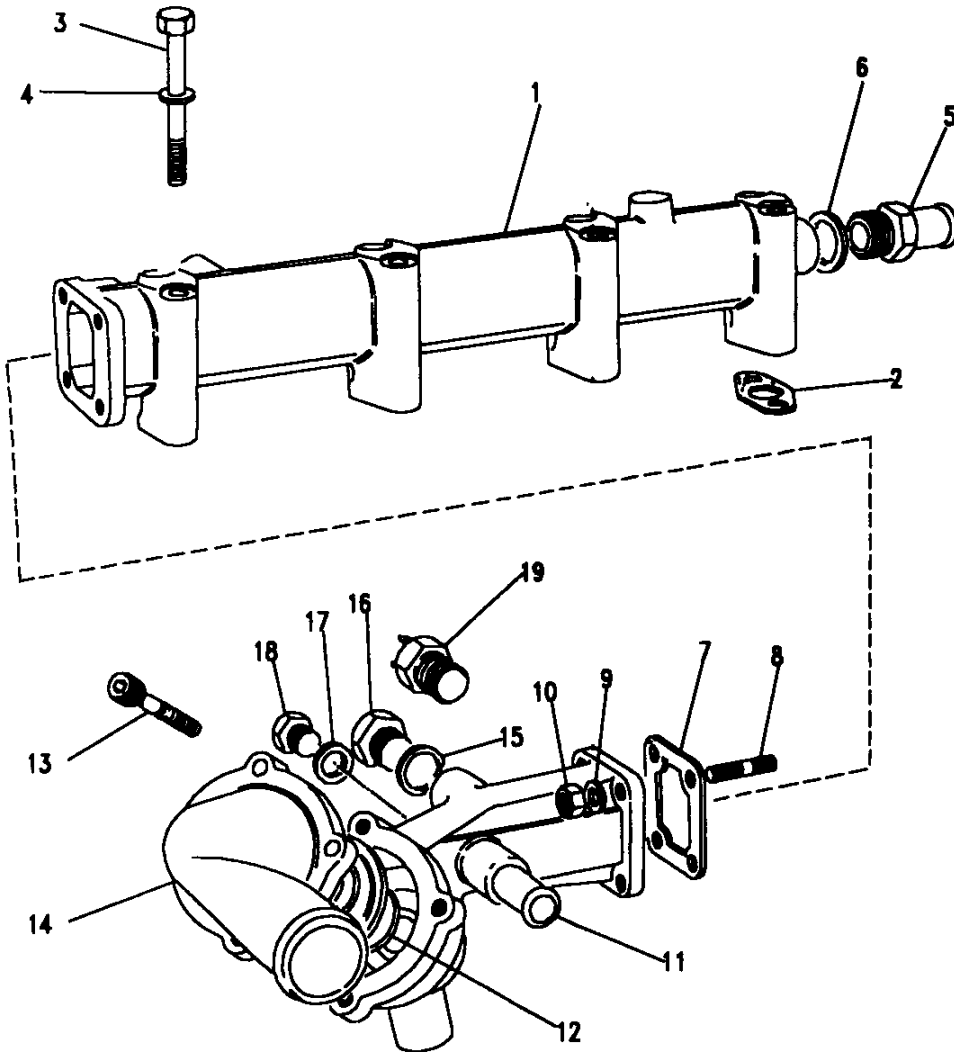
39-TEETH

**Model** RANGE ROVER 1992 onwards  
**Page** BDBW GK2A

**ENGINE - THERMOSTAT - 2.5 DIESEL TURBO**

III. Part No.	Description	Qty	Remarks
1	RTC5726	1	
2	STC806	4	Note(1)
3	BH106161L	8	
4	WA106001L	12	
5	AEU2202L	1	
6	AEU2094L	1	Note(1)
7	STC808	1	
8	AEU2186L	4	
9	WA106041L	4	
10	NH106041L	4	
11	RTC8778	1	
12	RTC8673	1	
13	SS106201L	4	
14	RTC8667	1	
15	RTC8773	1	
16	RTC8779	1	
17	RTC5016	1	Note(2)
18	RTC8780	1	
19	PRC8170	1	

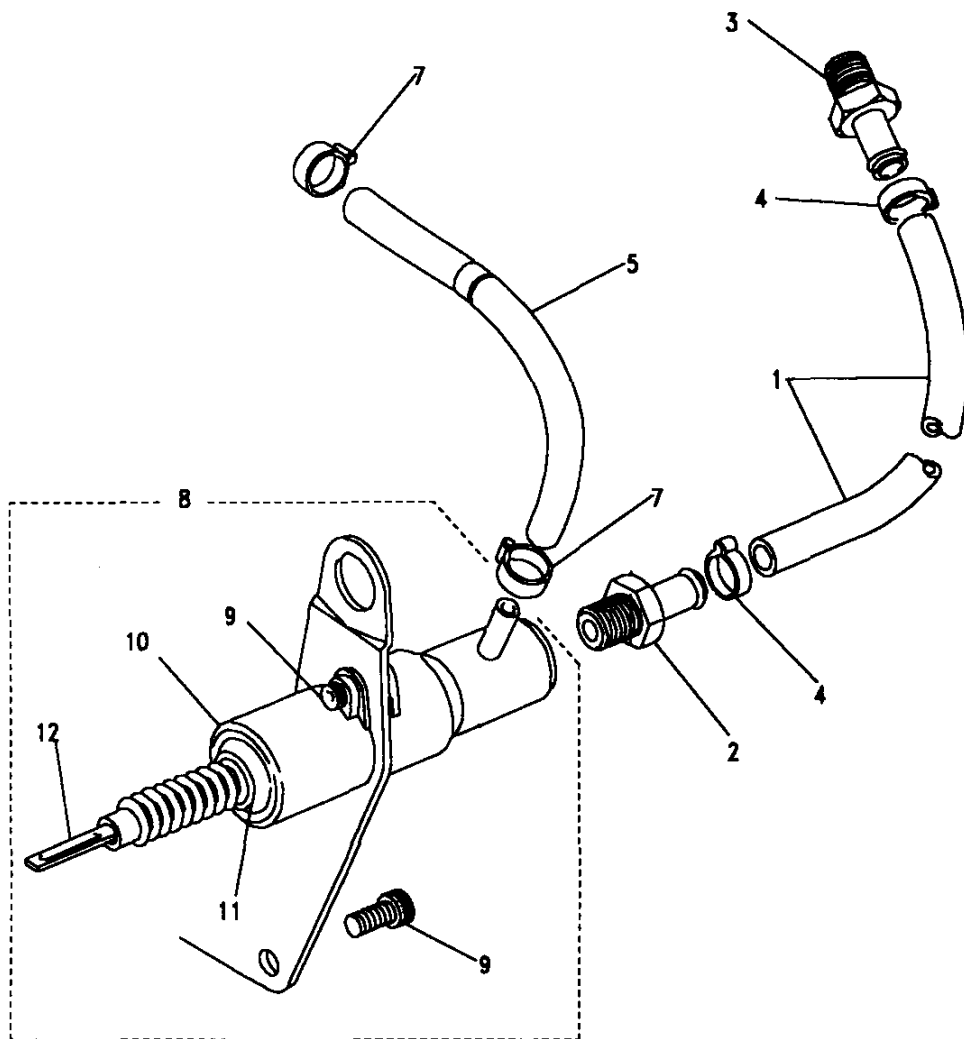
Note(1) Part of gasket kit RTC4993  
 Note(2) Part of gasket kit STC158



**Model** RANGE ROVER 1992 onwards  
**Page** BDBWGK1A

**ENGINE - COLD START - 2.5 DIESEL TURBO**

III. Part No.	Description	Qty	Remarks
1	RTC4958	1	
2	RTC4968	1	
3	RTC4967	1	
4	EAC22723	2	
5	RTC4962	1	
6	5064162	1	
7	EAC22723	2	
8	SS106251L	5	
9	RTC5624	1	
10	RTC5723	1	
11	RTC5724	1	
12	RTC5725	1	

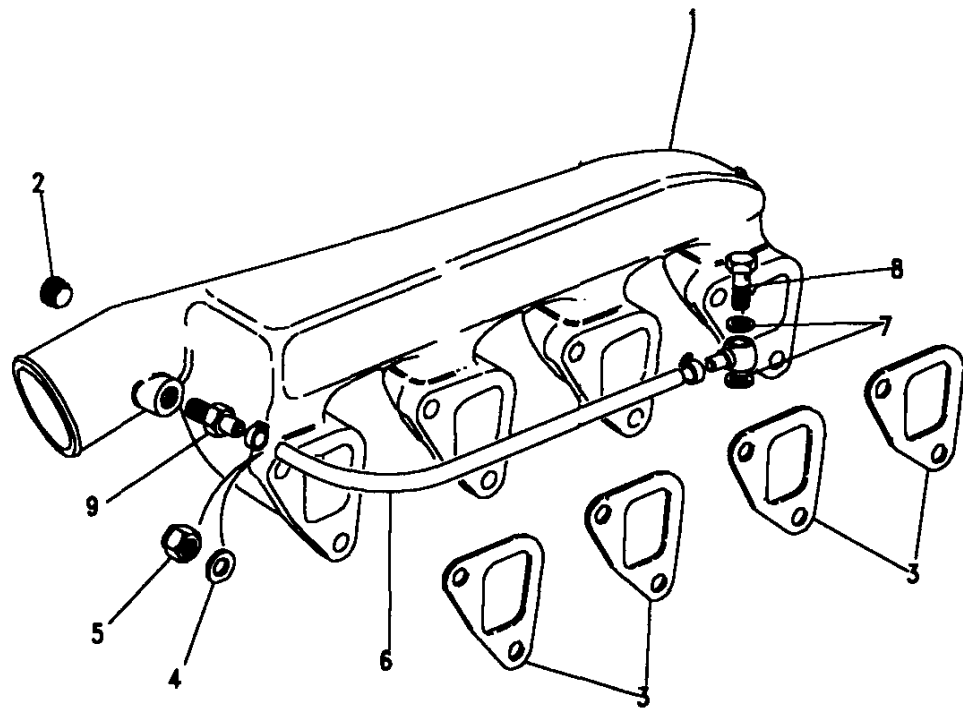


**Model** RANGE ROVER 1992 onwards  
**Page** BDBWHA1A

**ENGINE - INTAKE MANIFOLD - 2.5 DIESEL TURBO**

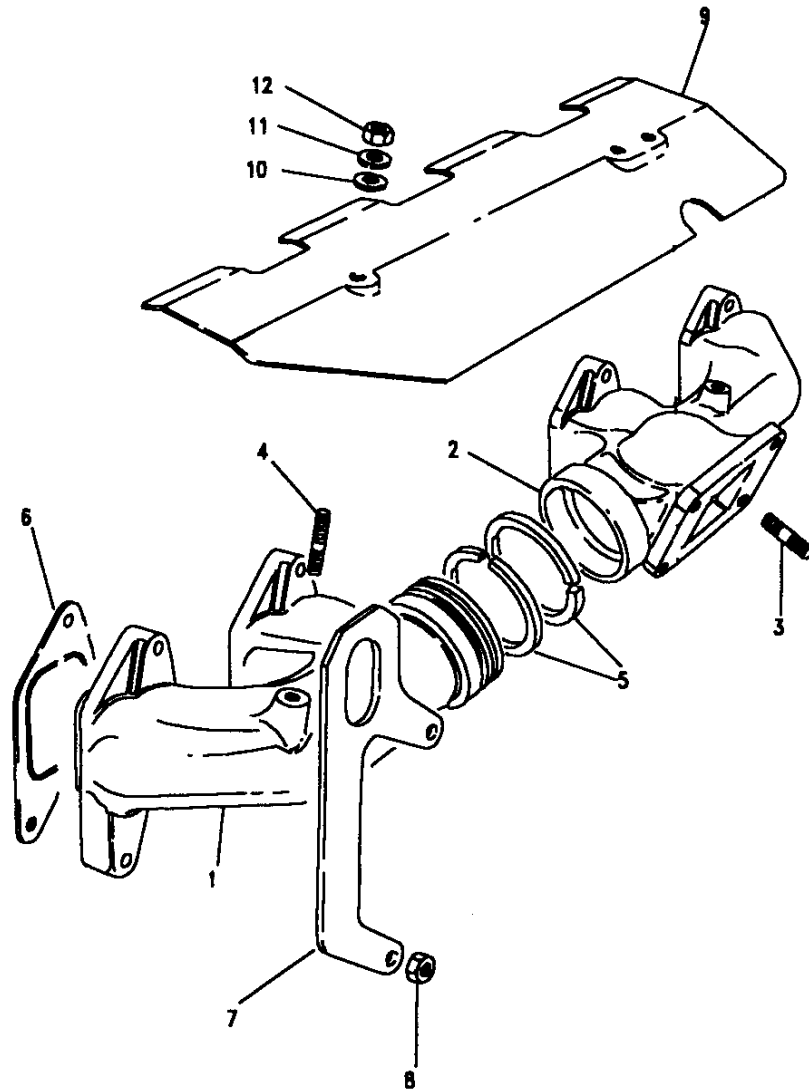
Ill. Part No.	Description	Qty	Remarks
1	RTC4923	1	
2	AEU2209L	1	
3	STC804	4	
4	WA108051L	8	
5	NH108041L	8	
6	RTC4961	1	
7	AEU2164L	2	Note(1)
8	AEU2165L	1	
9	RTC4969	1	

Note(1) Part of gasket kit RTC4933



**Model** RANGE ROVER 1992 onwards  
**Page** BDBWHC1A

**ENGINE - EXHAUST MANIFOLD - 2.5 DIESEL TURBO**



III. Part No.	Description	Qty	Remarks
1 AEU2233L	Manifold exhaust REAR	1	
2 RTC4924	Manifold exhaust FRONT	1	
3 RTC6717	Stud M8-turbocharger	4	
4 RTC6718	Stud M6-heatshield	2	
5 AEU2234L	Circlip	2	
6 RTC4893	Gasket-manifold/heads	4	Note(1)
7 AEU2214L	Eye-rear lifting	1	
8 FN108041	Nut M8-brass	8	
9 AEU2217L	Heatshield	1	
10 WA106041L	Washer plain	2	
11 WL106001L	Washer spring	2	
12 NH106041L	Nut	2	

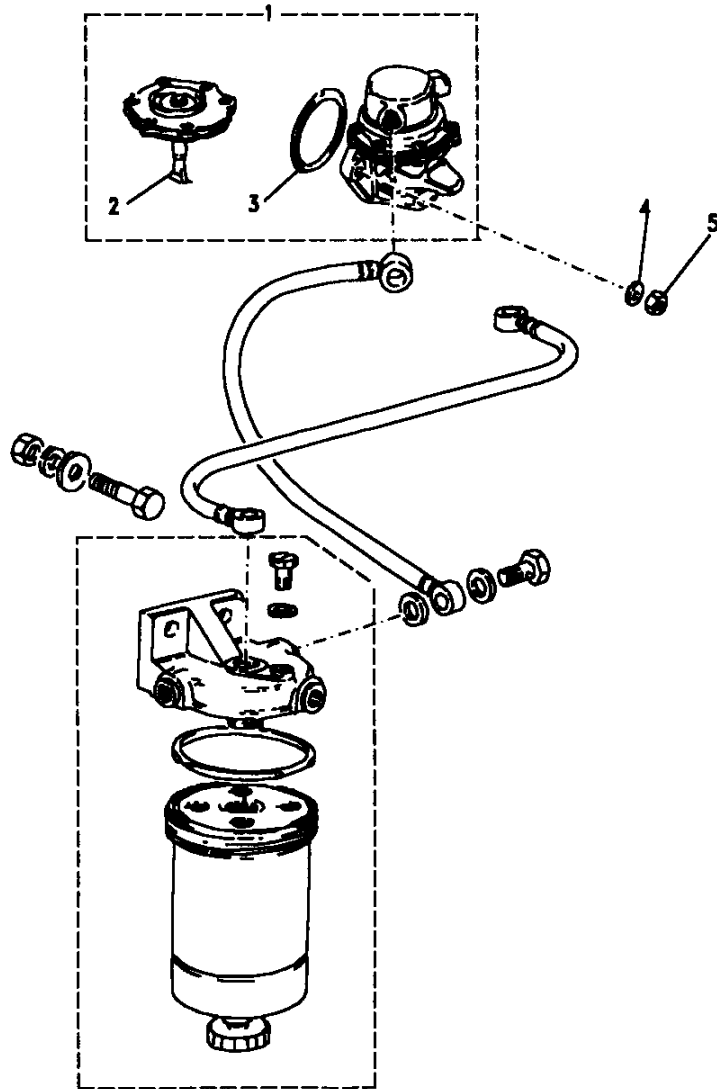
Note(1) Part of gasket kit RTC4993

**Model** RANGE ROVER 1992 onwards  
**Page** BDBWKA1A

**ENGINE - FUEL PUMP - 2.5 DIESEL TURBO**

III. Part No.	Description	Qty	Remarks
1 AEU2291L	Pump fuel assembly	1	
2 AEU2151L	Diaphragm	1	
3 AEU2152L	O ring-pump/block	1	Note(1)
4 WA108051L	Washer plain	2	
5 FN108041	Nut-M8	2	

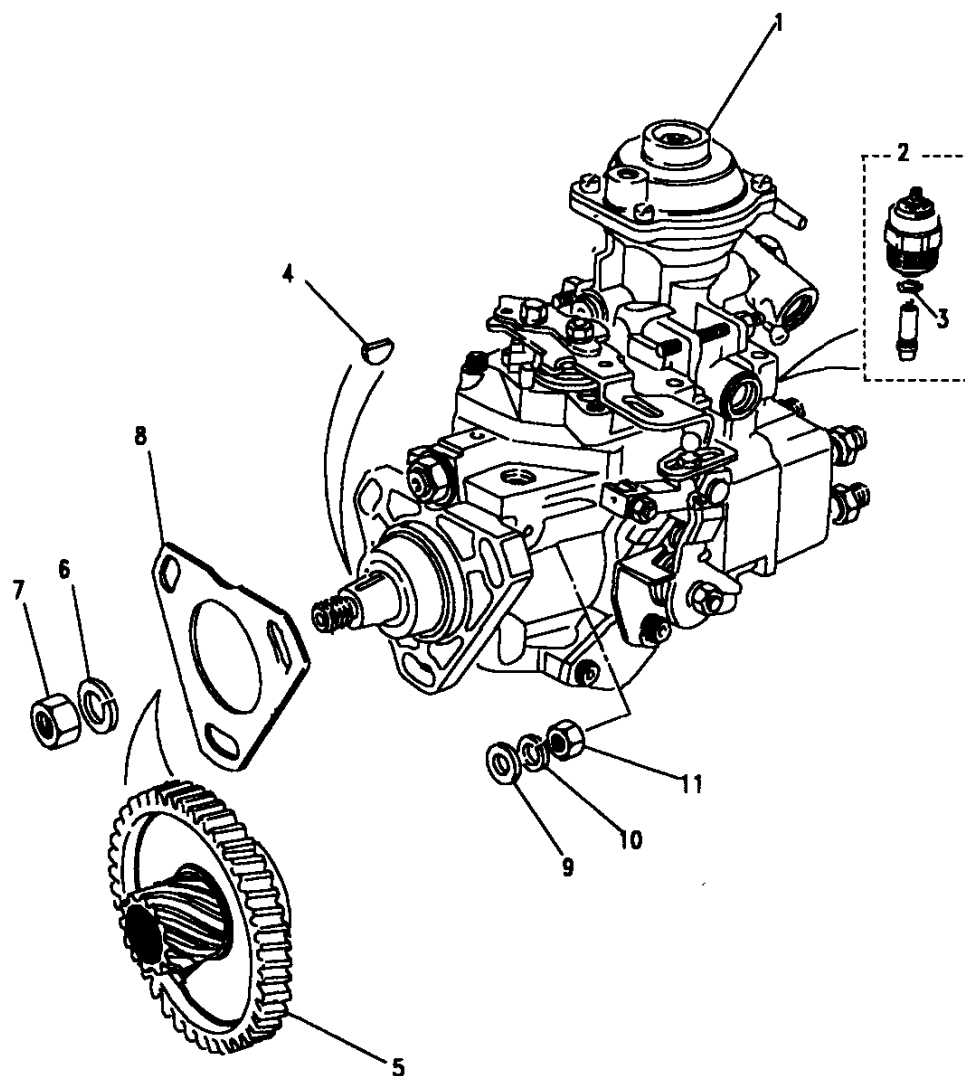
Note(1) Part of gasket kit STC158





**Model** RANGE ROVER 1992 onwards  
**Page** BDBWKC1A

**ENGINE - INJECTOR PUMP - 2.5 DIESEL TURBO**



III. Part No.	Description	Qty	Remarks
1 RTC6659	Pump injector assembly	1	
2 RTC6702	Solenoid-fuel shut-off	1	
3 RTC6703	Washer sealing	1	Note(1)
4 AEU2111L	Key-timing gear	1	
5 RTC6661	Gear timing	1	
6 AEU2112L	Washer spring	1	
7 AEU2113L	Nut	1	
8 STC807	Gasket-injector pump	1	
9 WA108051L	Washer plain	2	
10 WL108001L	Washer spring	2	
11 NH108041L	Nut	2	
RTC6713	Bolt banjo	1	
AEU2072L	Washer sealing	1	
RTC6714	Adaptor-vacuum pipe	1	
RTC6712	Microswitch assembly	1	
RTC4968	Adaptor-hose	1	
RTC5016	Washer-adaptor	1	Note(1)
RTC6715	Lead link solenoid	1	

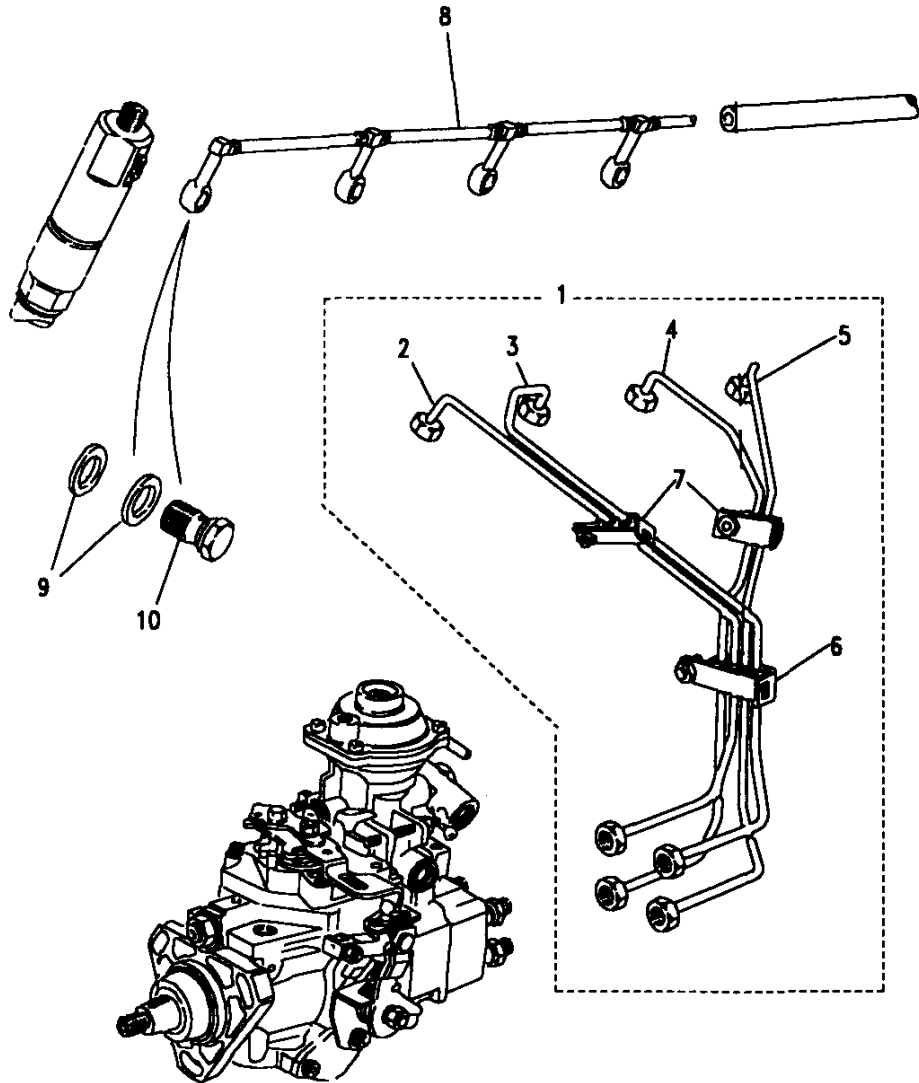
Note(1) Part of gasket kit STC158

Model RANGE ROVER 1992 onwards  
 Page BDBWKE1A

ENGINE - INJECTOR ASSEMBLY - 2.5 DIESEL TURBO

III. Part No.	Description	Qty	Remarks
1	AEU2123L Pipes injector assembly	1	
2	AEU2124L Pipe fuel-No.1	1	
3	AEU2125L Pipe fuel-No.2	1	
4	AEU2126L Pipe fuel-No.3	1	
5	AEU2127L Pipe fuel-No.4	1	
6	AEU2128L Clamp-4 pipes	1	
7	AEU2129L Clamp-2 pipes	2	
8	RTC4957 Pipe spill return	1	
9	ERR1304 Washer sealing-copper	8	Note(1)
10	AEU2132L Bolt banjo	4	
	RTC6660 Adaptor spill return/pump	1	

Note(1) Part of gasket kit RTC4993

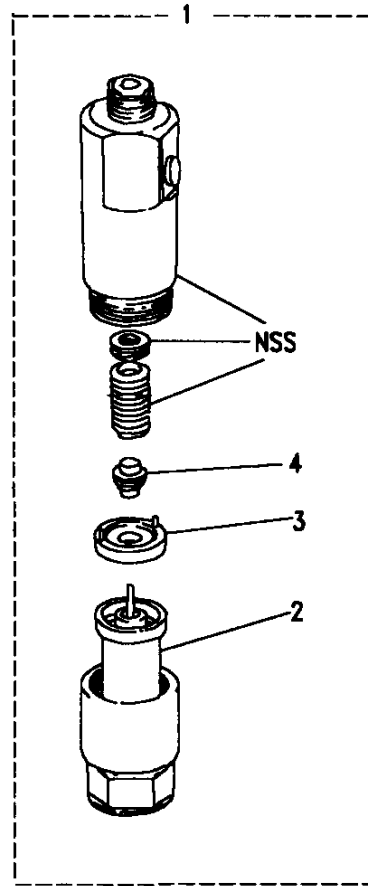
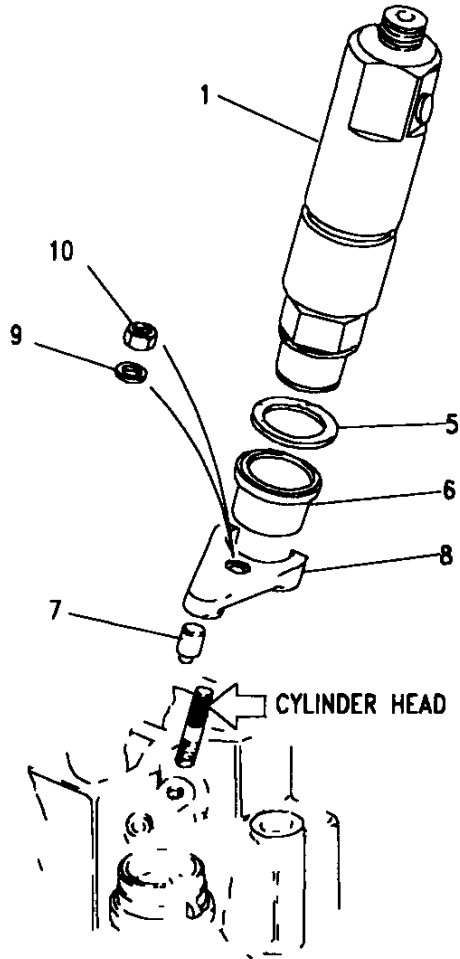


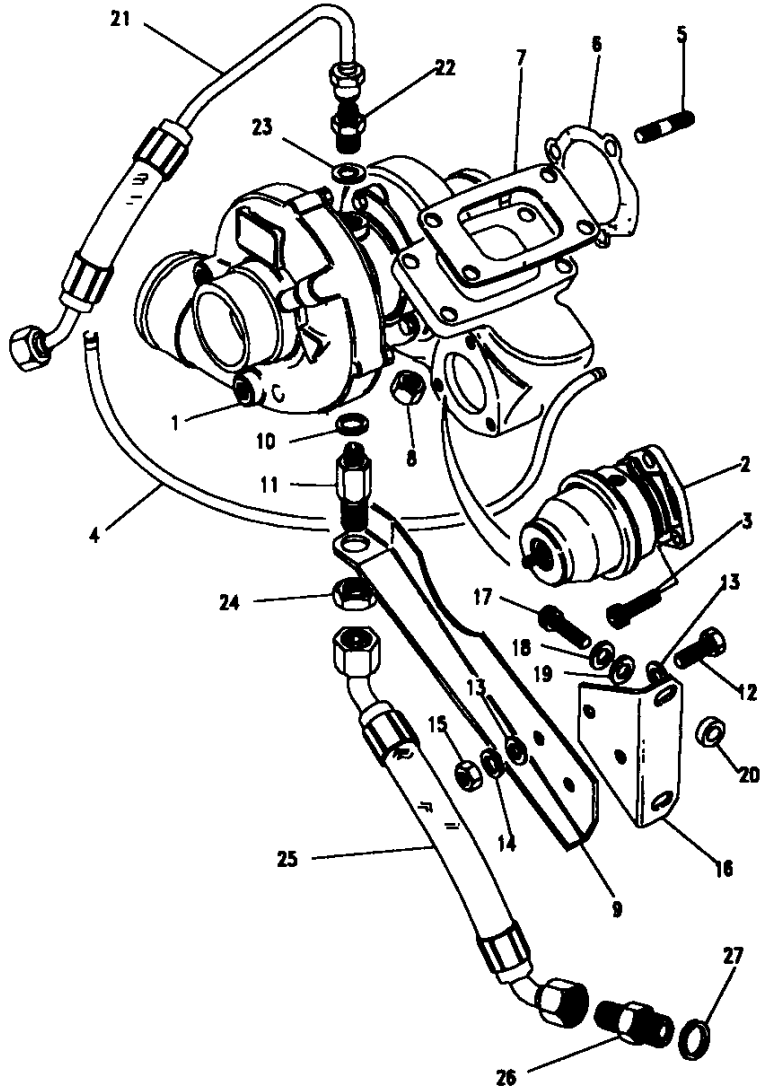
**Model** RANGE ROVER 1992 onwards  
**Page** BDBWKE2A

**ENGINE - INJECTOR ASSEMBLY - 2.5 DIESEL TURBO**

III. Part No.	Description	Qty	Remarks
1	AEU2098L Injector assembly	4	
2	AEU2103L Atomiser	4	
3	RTC5987 Holder	4	
4	RTC5988 Nozzle	4	
5	AEU2104L Gasket	4	Note(1)
6	AEU2105L Shroud	4	
7	AEU2108L Dowel	4	
8	AEU2300L Plate locating	4	
9	WL108001L Washer spring	4	
10	NH108041L Nut	4	

Note(1) Part of gasket kit RTC4993

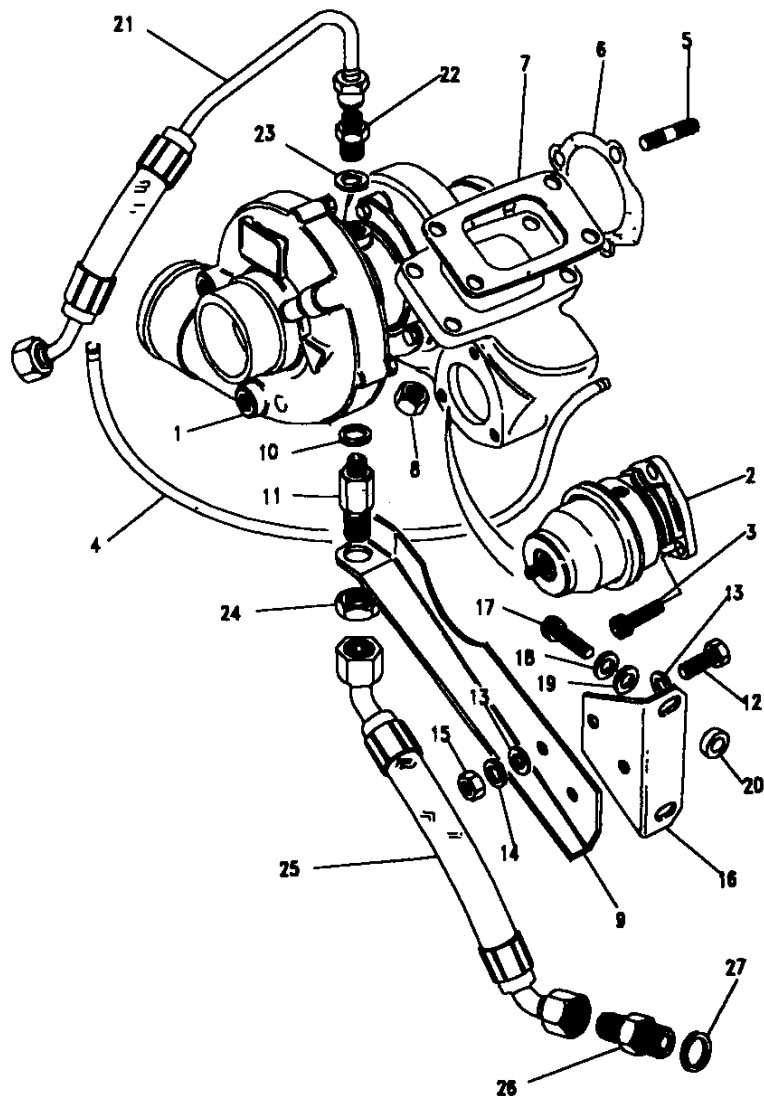




**Model** RANGE ROVER 1992 onwards  
**Page** BDBWLA1A

**ENGINE - TURBOCHARGER - 2.5 DIESEL TURBO**

III. Part No.	Description	Qty	Remarks
1	RTC4910	1	
	RTC4910E	1	
2	RTC5017	1	
3	SS108201L	3	
4	RTC5018	1	Note(1)
5	RTC6717	3	
6	RTC4894	1	Note(2)
7	RTC5004	1	Note(2)
8	NH108141L	4	
9	RTC4952	1	
10	RTC5016	1	Note(3)
11	RTC4943	1	
12	FS108207	2	
13	WA108051L	4	
14	WL108001L	2	
15	NH108051L	2	
16	RTC4951	1	
17	SS108251	2	

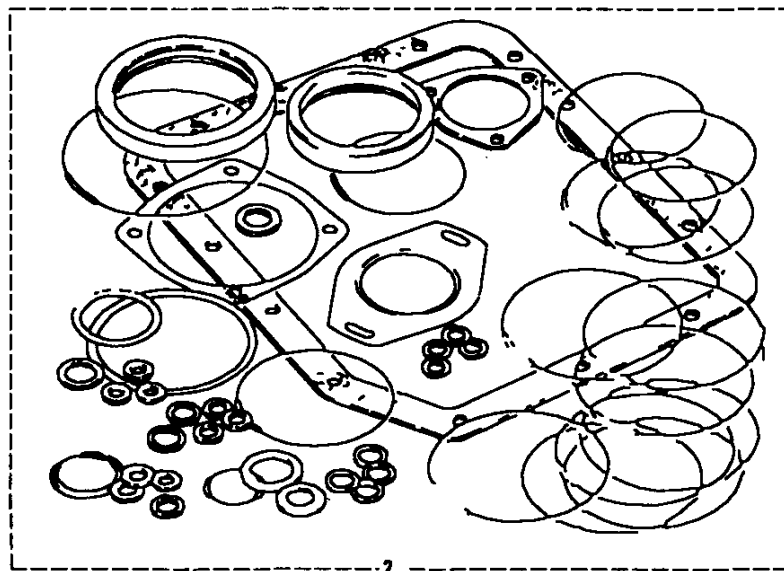
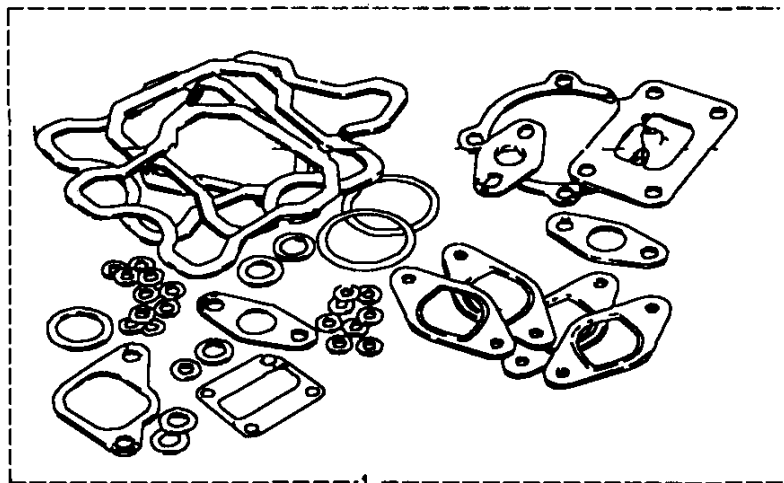


**Model** RANGE ROVER 1992 onwards  
**Page** BDBWLA1A

**ENGINE - TURBOCHARGER - 2.5 DIESEL TURBO**

III. Part No.	Description	Qty	Remarks
18	WL108001L	2	
19	WA108051L	2	
20	RTC4963	2	
21	RTC4960	1	pipe feed turbo lube
22	RTC5015	1	Union-lube/turbo
23	BAU5374L	1	Washer sealing Note(3)
24	RTC4972	1	Nut-bracket/turbo
25	RTC4941	1	Pipe oil lube
26	JAM3255L	1	Adaptor-pipe/block
27	JAM3256L	2	Washer sealing Note(3)

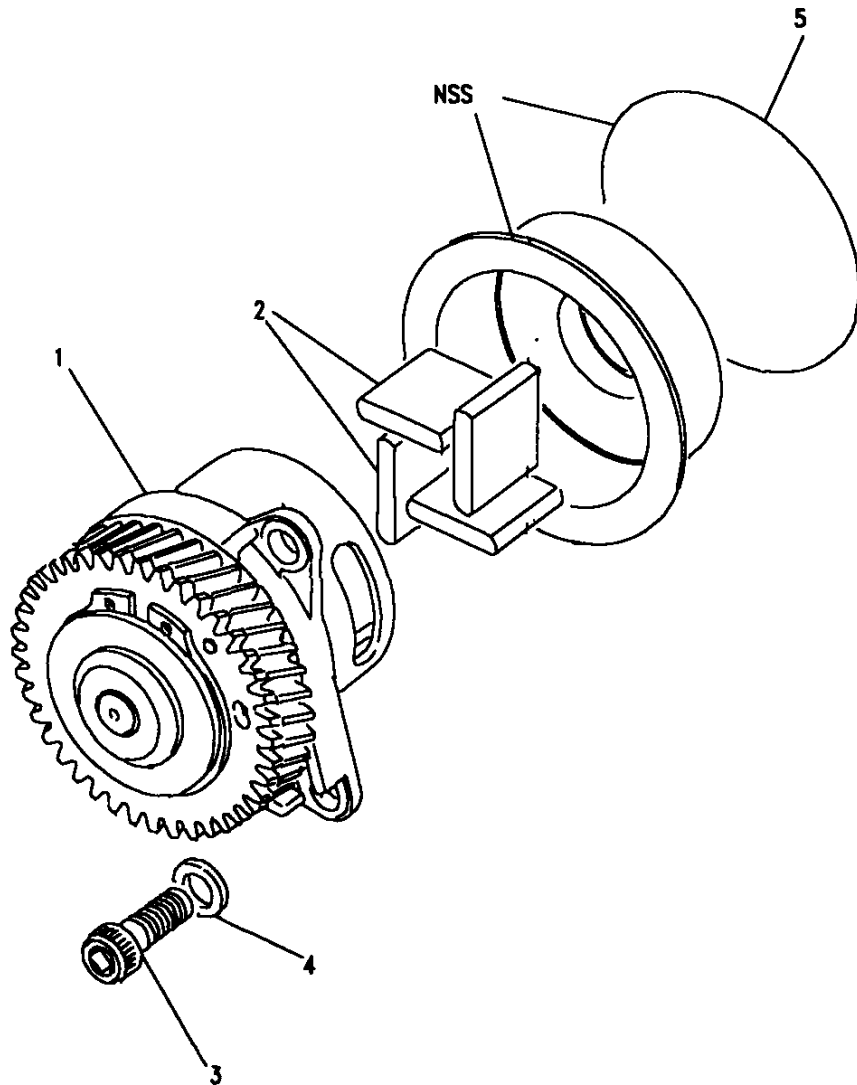
Note(1) Latest type tube is solid and is part of turbo (not serviced)  
 Note(2) Part of gasket kit RTC4993  
 Note(3) Part of gasket kit STC158



**Model** RANGE ROVER 1992 onwards  
**Page** BDBWMA1A

**ENGINE - GASKET KIT - 2.5 DIESEL TURBO**

III. Part No.	Description	Qty	Remarks
1	RTC4993	1	Gasket kit cyl/head
2	STC158	1	Gasket kit cyl/block



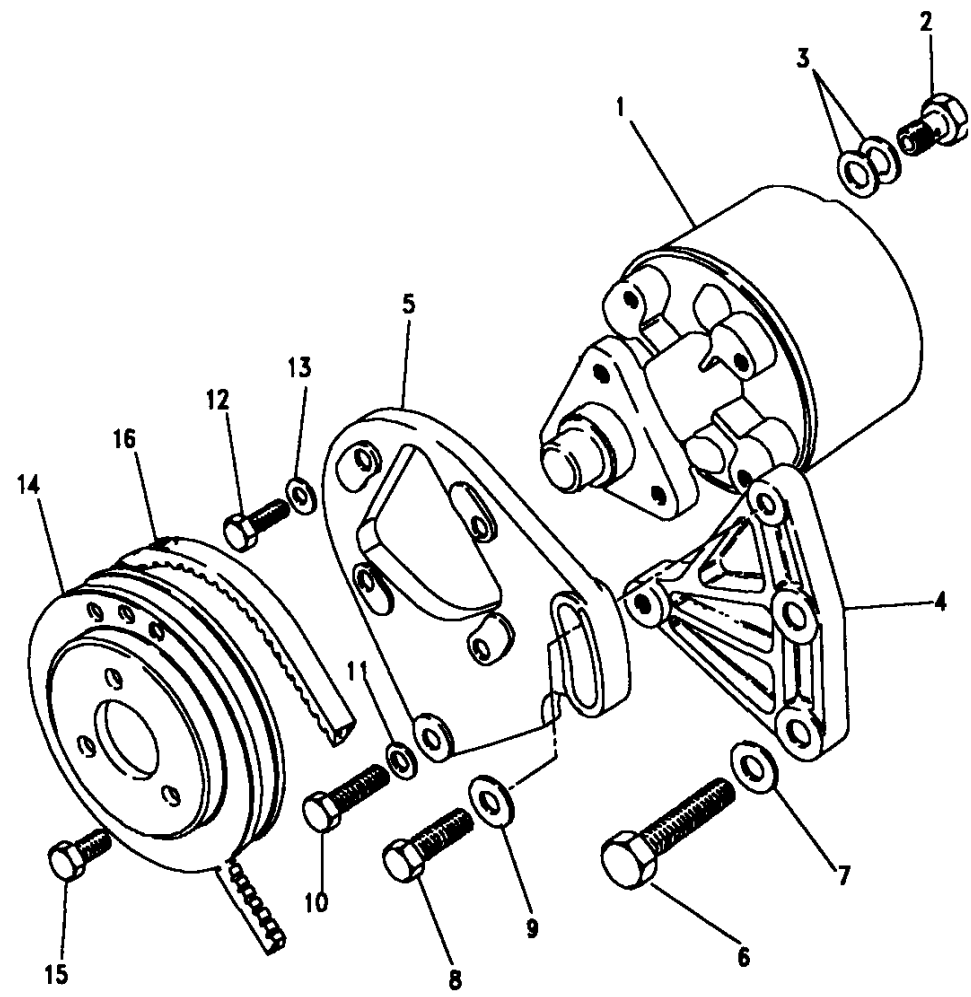
**Model** RANGE ROVER 1992 onwards  
**Page** BDBWNA1A

**ENGINE - VACUUM PUMP - 2.5 DIESEL TURBO**

III. Part No.	Description	Qty	Remarks
1	RTC6644	1	37-TEETH
2	RTC6768	1	
3	SS108181L	3	
4	AEU2146L	3	
5	Seal oil	3	NSS

**Model** RANGE ROVER 1992 onwards  
**Page** BDBWNC1A

**ENGINE - POWER STEERING PUMP - 2.5 DIESEL TURBO**



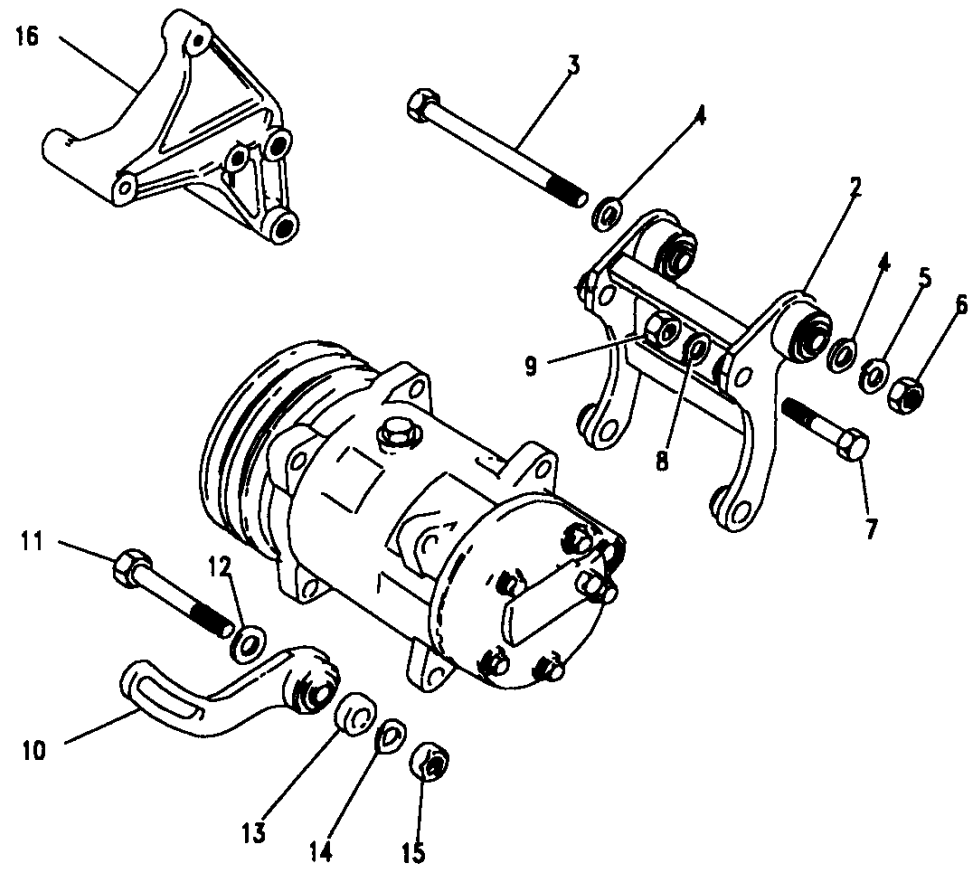
III. Part No.	Description	Qty	Remarks
1	NTC8289 Pump steering	1	
2	RTC6833 Bolt banjo	1	Note(1)
3	RTC5675 Washer sealing	2	Note(1)
4	ETC9074 Bracket pump RHD	1	
5	ETC9075 Bracket pump LHD	1	
	ETC9076 Bracket pump RHD	1	
6	BH114101L Bolt M14x50mm RHD	2	
7	WA114001 Washer plain RHD	2	
8	BH112091L Bolt M12x45mm RHD/LHD	1	
9	WA112081L Washer plain RHD/LHD	1	
10	SH108451 Screw M8x45mm RHD	1	
11	WA108051L Washer plain RHD	1	
12	BH106061L Bolt M6x30mm	4	
13	WA106041L Washer plain	4	
14	ERR626 Pulley	1	
15	SH108101L Screw M8x16mm	3	
16	ETC9101 Belt drive	1	

Note(1) These parts no longer available with pump NTC8289



**Model** RANGE ROVER 1992 onwards  
**Page** BDBWNE1A

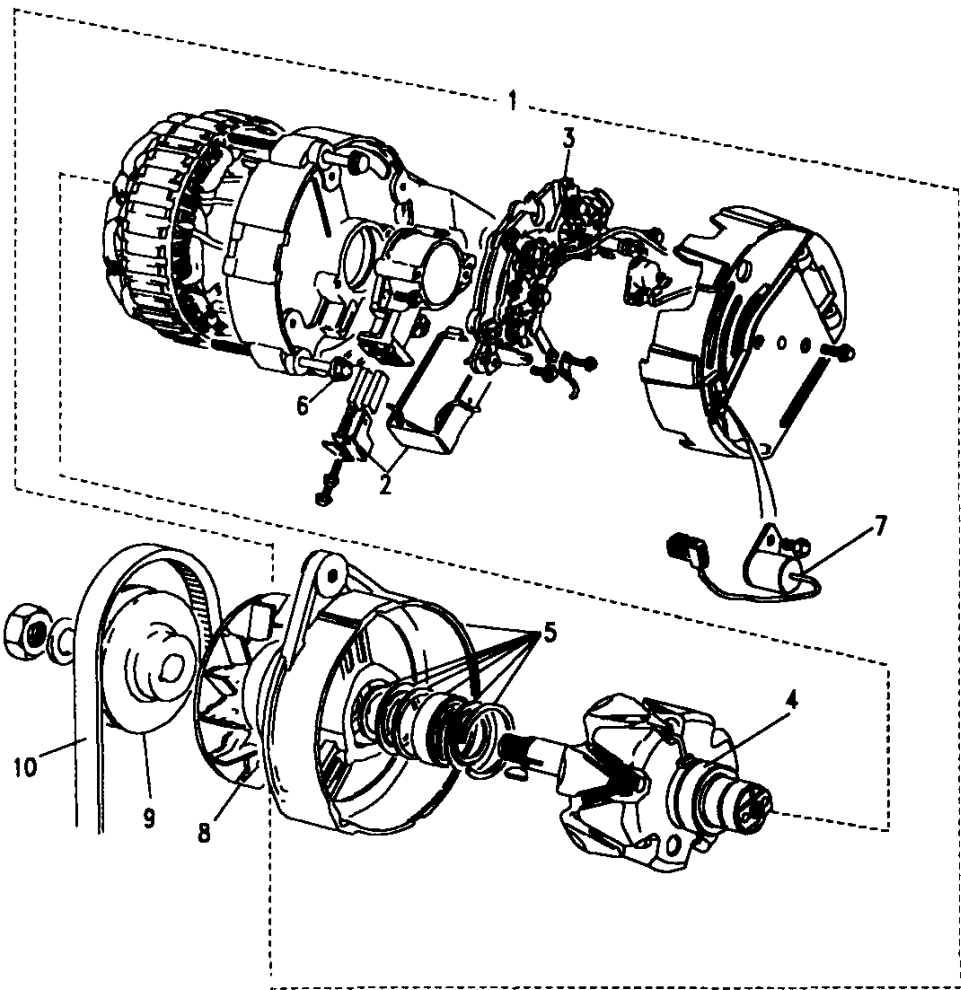
**ENGINE - COMPRESSOR ASSEMBLY - 2.5 DIESEL TURBO**



III. Part No.	Description	Qty	Remarks
1	BTR1302 Compressor assembly	1	
2	ETC9014 Bracket mounting	1	
3	BH112301L Bolt	1	
4	WA112081L Washer	2	
5	WL112001L Washer spring	1	
6	NH112041L Nut M12	1	
7	BH110101L Bolt M10x50mm	2	
8	WA110001L Washer	1	
9	FN110041L Nut M10	4	
10	ETC9111 Link adjusting	1	
11	BH110071L Bolt	1	
12	WW110001L Washer	5	
13	ETC9012 Washer Special	1	
14	WL110001L Washer spring	1	
15	NH110041L Nut	1	
16	ETC9073 Bracket	1	
	ETC9009 Belt	1	

Model RANGE ROVER 1992 onwards  
 Page BDBWPC1A

ENGINE - ALTERNATORS - 2.5 DIESEL TURBO



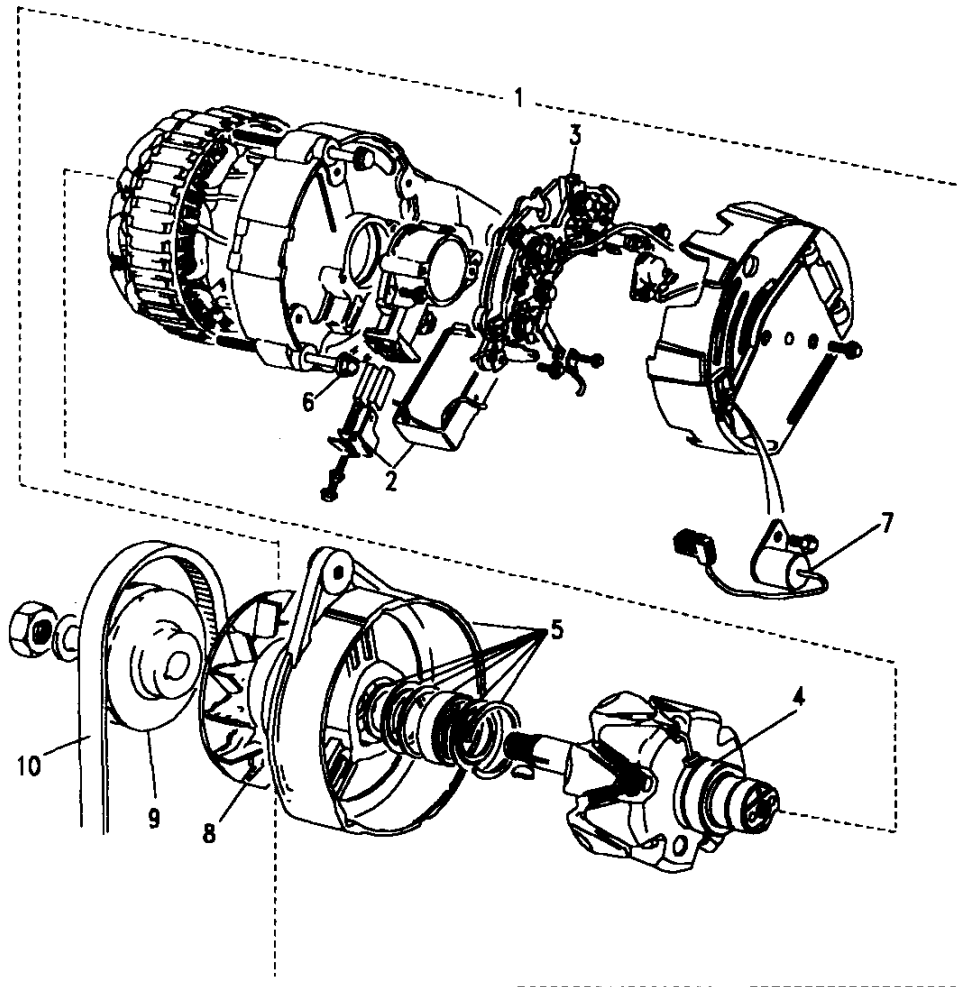
III. Part No.	Description	Qty	Remarks
1	RTC5881N	1	Note(1)
	RTC5681E	1	
2	RTC5670	1	
3	RTC5671	1	
4	RTC5926	1	
5	RTC5687	1	
	RTC5688	1	
6	RTC5925	1	
7	RTC6114	1	
8	AAU2249L	1	
9	ERR405	1	
10	ERR416	1	
	ERR914	1	
	ETC9039	1	
	PRC4643	1	

Note(1) Lucas Number 24221

Model RANGE ROVER 1992 onwards  
 Page BDBWPC2A

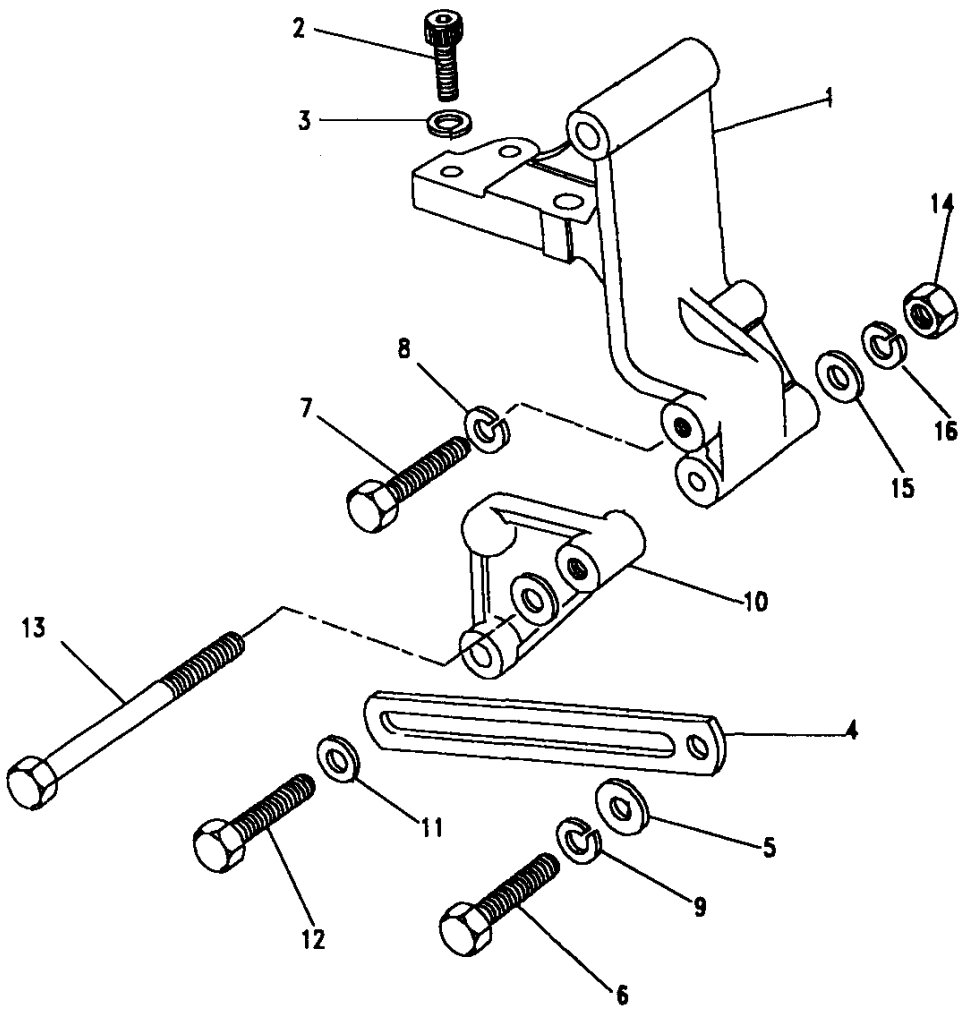
ENGINE - ALTERNATORS - 2.5 DIESEL TURBO

III. Part No.	Description	Qty	Remarks
1	PRC7084	1	Alternator A133/80 amp
	PRC7084E	1	Alternator A133/80 amp
	RTC5610	1	Cover
2	RTC5928	1	Regulator
3	RTC5609	1	Rectifier
4	AEU1532	1	Bearing Kit-Slip Ring
5	RTC6786	1	Bearing Kit-Drive End
	BAU2195L	1	Brush box
	RTC5611	1	Brush set
6	RTC5925	1	Kit-through bolt
7	RTC6114	1	Capacitor & lead
8	RTC5054	1	Fan
9	ERR608	1	Pulley
10	ERR416	1	Belt alternator RHS
	ERR914	1	Belt alternator LHS
	AEU1706	1	Kit screw
	AEU1708	1	Kit spacer



Model RANGE ROVER 1992 onwards  
 Page BDBWPC3A

ENGINE - ALTERNATOR MOUNTINGS - 2.5 DIESEL TURBO



III. Part No.	Description	Qty	Remarks
1	ERR739	1	Bracket
2	SS110451L	2	Screw M10x45
3	WL110001L	2	Washer spring
4	ETC9004	1	Link adjusting
5	ETC9011	1	Washer special
6	FS108201L	1	Screw M8x20
7	SH108251L	1	Screw M8x25
8	WA108051L	1	Washer
9	WL108001L	2	Washer spring
10	ETC9096	1	Bracket-alternator Link
11	WA114001L	1	Washer M14
12	SH114401	1	Screw M14x40
13	ETC9058	1	Bolt M8x125
14	NH108041L	1	Nut M8
15	WA108051L	2	Washer M8
16	WL108001	1	Washer spring

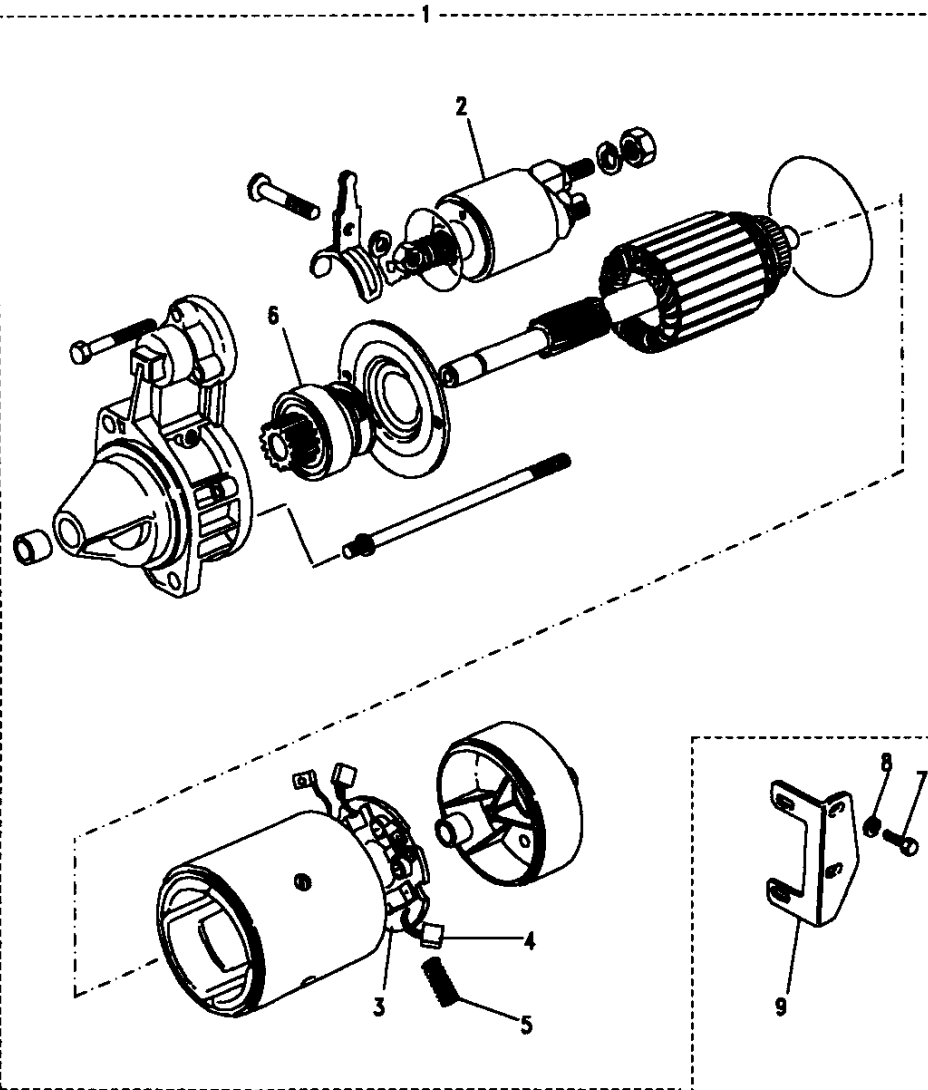
Mountings for LHD vehicles.

ETC9073	Bracket	1
BH114111L	Bolt M14x55	2
WA114001L	Washer M14	2
ETC9004	Link adjusting	1
ETC9011	Washer special	1
FS108201L	Scrw M8x20	1
SH108251L	Screw M8x25	1
WA108051L	Washer	1
WL108001L	Washer spring	2
ETC9062	Bolt M8x120	1
NH108041L	Nut	1
WA108051L	Washer	1
WL108001L	Washer spring	1

**Model** RANGE ROVER 1992 onwards  
**Page** BDBWPE1A

**ENGINE - STARTER MOTOR - 2.5 DIESEL TURBO**

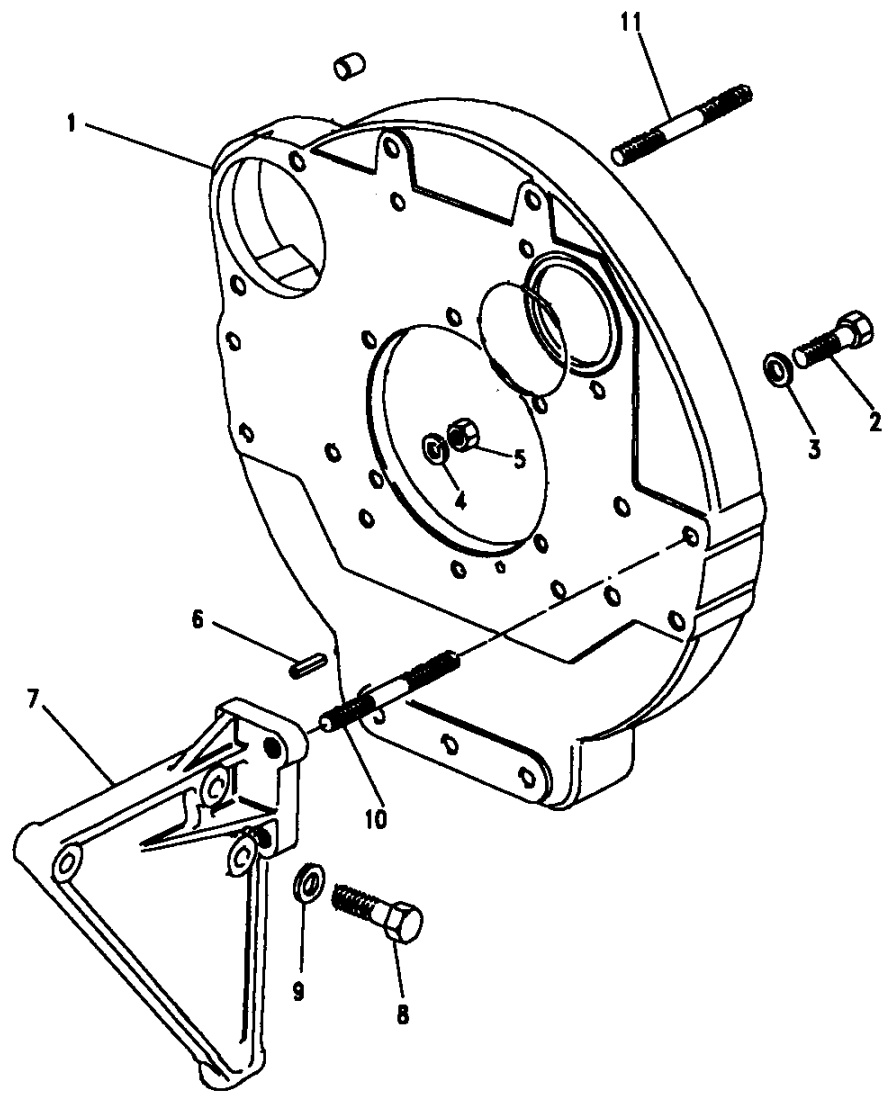
III. Part No.	Description	Qty	Remarks
1	PRC5669	1	Starter motor
2	RTC5750	1	Solenoid
3	RTC5751	1	Brush box
4	RTC5752	1	Brushes-set
5	RTC5754	4	Brush springs
6	RTC5753	1	Drive-clutch
7	FS106161	2	Screw M6x16
8	WA106041L	2	Washer
9	RTC4947	1	Bracket-starter
	PRC5237	1	Lead earth
	PRC5240	1	Lead link solenoid



**Model** RANGE ROVER 1992 onwards  
**Page** BDBWRA1A

**ENGINE - FLYWHEEL HOUSING - 2.5 DIESEL TURBO**

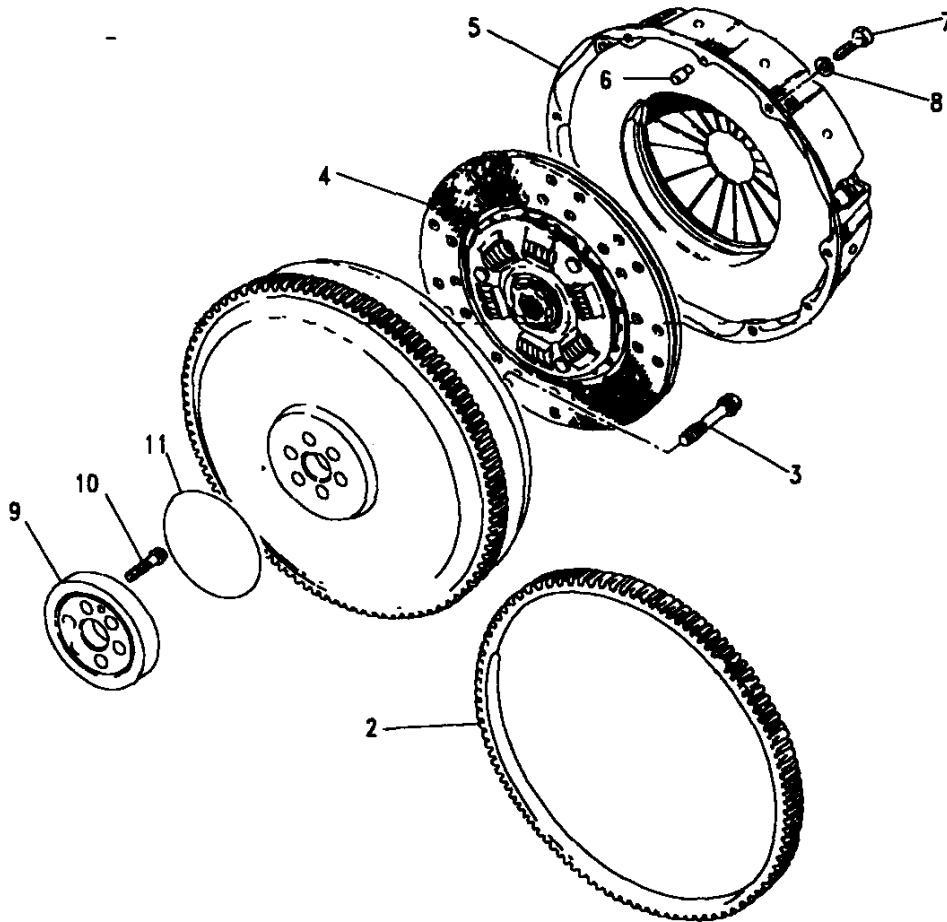
III. Part No.	Description	Qty	Remarks
1	RTC6652	1	Housing flywheel
2	FS110301	9	Screw
3	WB110061L	9	Washer plain
4	WL108001L	6	Washer spring
5	NH108041L	6	Nut M8
6		1	Dowel spring
7	RTC6650	1	Housing support LH
	RTC6651	1	Housing support RH
8	BH110091L	6	Bolt-support
9	WL110001L	6	Washer
10	RTC6775	2	Shaft-gearbox support
	RTC4964	5	Stud-gearbox/engine
11	STC769	1	O ring-flywheel/housing
	BH110121L	2	Bolt-housing to support
	WL110001L	2	Washer-housing to support



**Model** RANGE ROVER 1992 onwards  
**Page** BDBWRA2A

**ENGINE - FLYWHEEL & CLUTCH - 2.5 DIESEL TURBO**

III. Part No.	Description	Qty	Remarks
1	RTC4945	1	Flywheel & starter ring
2	RTC4927	1	Starter ring
3	RTC6731	6	Bolt-flywheel/crank
4	FTC2149	1	Clutch plate
5	FTC575	1	Clutch cover
	STC8358	1	Kit clutch
	FTC2149	1	Plate
	FTC575	1	Cover
	FRC9568	1	Bearing
6	ETC9063	3	Dowel-cover/flywheel
7	SX108201L	6	Screw M8x20mm
8	WL108001L	6	Washer spring
9	AEU2293L	1	Spacer
10	AEU2239L	1	Screw-spacer/crankshaft
11	AEU2193L	1	O ring



**MASTER INDEX**

	PAGES
INTRODUCTION PAGES	1 - 3
ALPHABETICAL INDEX	4 - 9
ENGINE	10 - 50
ENGINE	51 - 88
ENGINE	89 - 133
ENGINE	134 - 172
GEARBOX	173 - 194
GEARBOX	195 - 211
GEARBOX	212 - 238
TRANSFER BOX	239 - 252
AXLES AND SUSPENSION	253 - 313
STEERING	314 - 332
VEHICLE AND ENGINE CONTROLS	333 - 343
BRAKES	344 - 374
FUEL SYSTEM AND AIR CLEANER	375 - 401
EXHAUST SYSTEM	402 - 409
COOLING/HEATING	410 - 456
BODY ELECTRICAL	457 - 574
BODY AND CHASSIS	575 - 681
INTERIOR TRIM	682 - 772
SEATS	773 - 843
SEATS	844 - 862
STOWAGE	863 - 865
ACCESSORIES - PAINTS	866 - 893
NUMERICAL INDEX	895 - 958

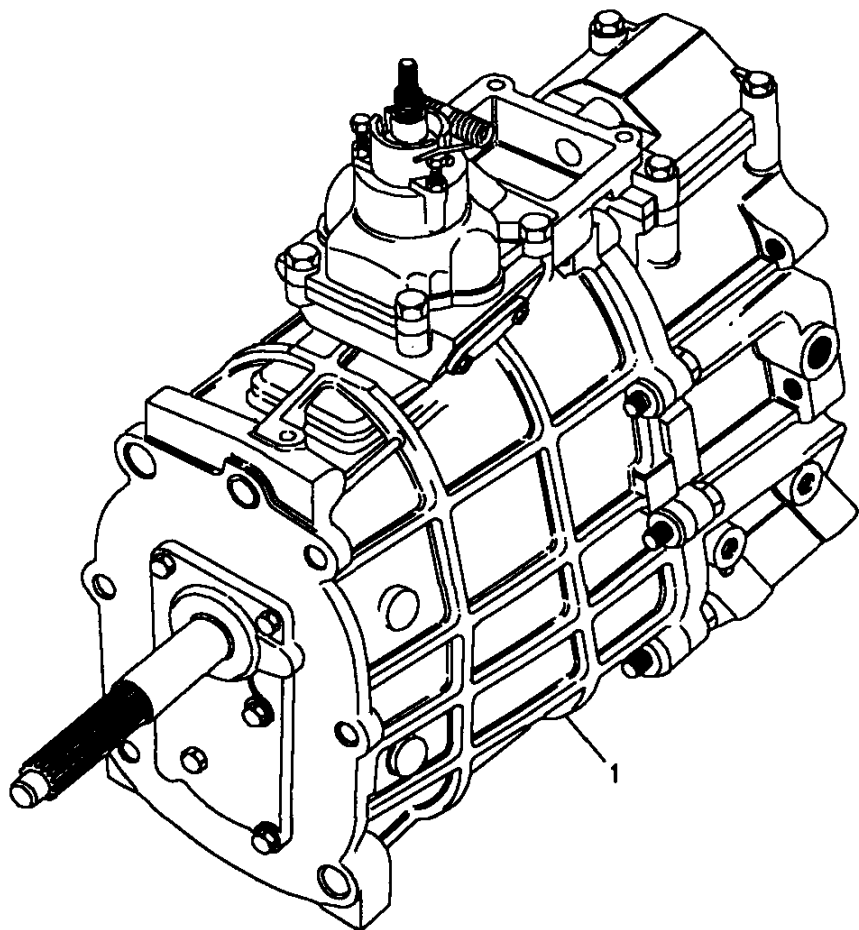
GROUP C

GEARBOX

GEARBOX

GEARBOX 5 SPEED - MANUAL	174
CLUTCH RELEASE MECHANISM	175
BELL HOUSING - MANUAL	176
BOTTOM COVER - MANUAL	177
GEARCASE - MANUAL	178
EXTENSION CASE - MANUAL	179
MAINSHAFT - MANUAL	180 - 181
MAINSHAFT GEARS - MANUAL	182 - 185
LAYSHAFT - REVERSE IDLER - MANUAL	186 - 187
SELECTORS & SHAFT - MANUAL	188 - 189
GEAR LEVER - MANUAL	190 - 191
MOUNTINGS - 2.5 TDI	192
OIL COOLER - MANUAL	193 - 194





**Model** RANGE ROVER 1992 onwards  
**Page** BDCEAA1A

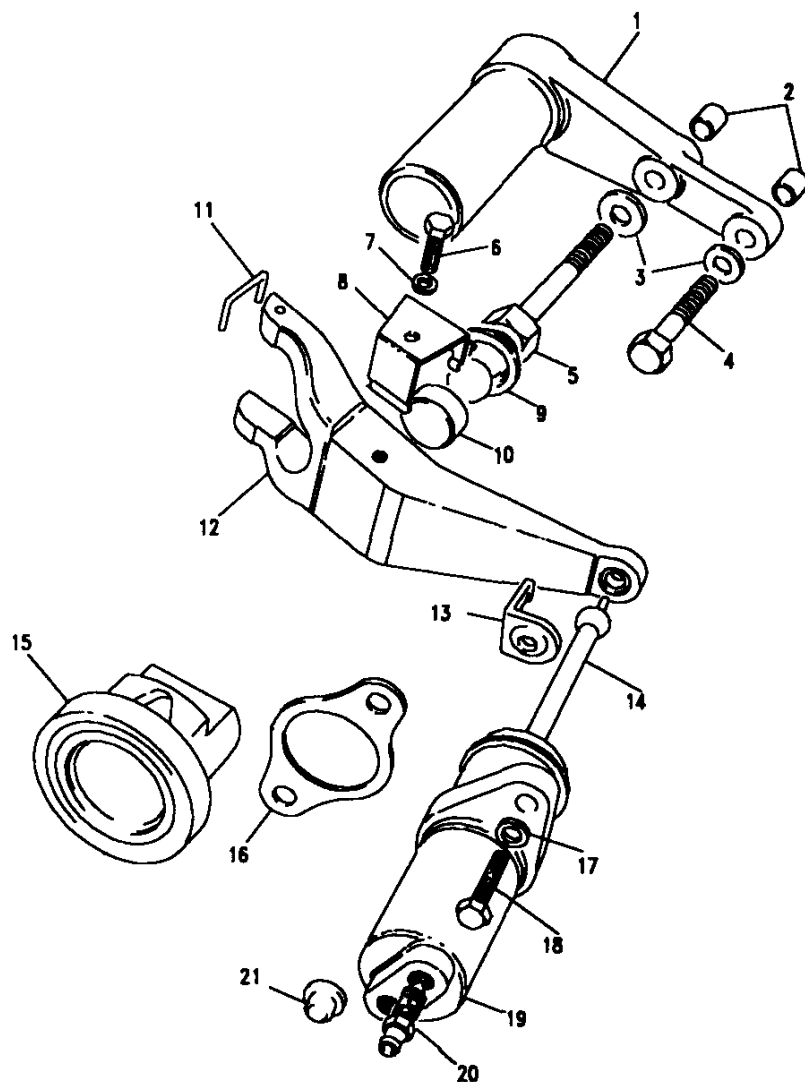
**GEARBOX - GEARBOX 5 SPEED - MANUAL**

III. Part No.	Description	Qty	Remarks
1 STC1000N	Gearbox assembly-PETROL	1	Suffix H
STC1001N	Gearbox assembly-VM	1	Suffix H
STC1093N	Gearbox assembly-TDI	1	Suffix H
STC1002R	Gearbox assembly-RECON	1	Note(1)

**53A00001 - PETROL 54A00001 - VM/DIESEL 55A00001 - TDI/DIESEL**

Note(1) TDI Prefix 55A suffix H

T3503



**Model** RANGE ROVER 1992 onwards

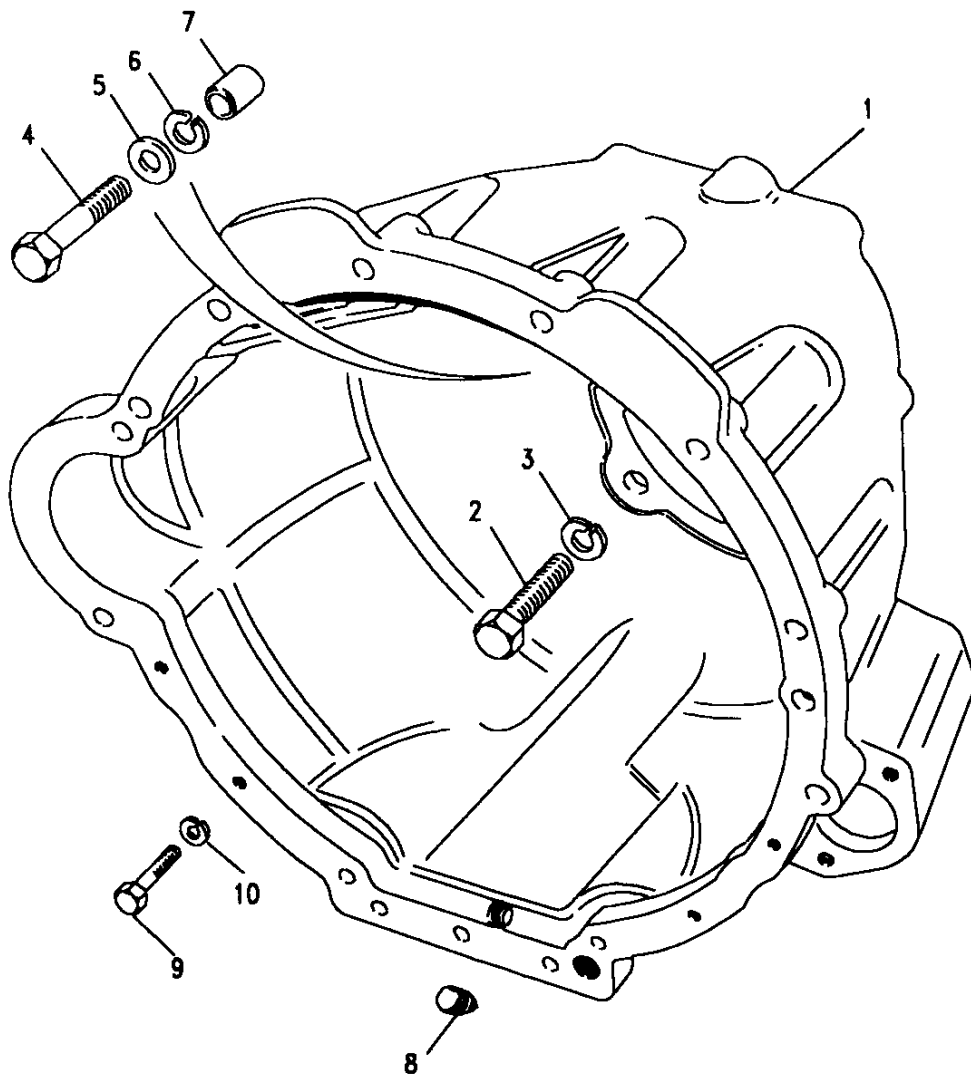
**Page** BDCECA1A

**CLUTCH RELEASE MECHANISM**

Ill. Part No.	Description	Qty	Remarks
1	FRC4803	1	Note(1)
	FTC1271	1	Note(2)
2	FRC2481	2	
3	WL108001L	1	
4	SH108401L	1	
5	FRC2528	1	
6	SH106101L	1	
7	WL106001L	1	
8	571163	1	
9	FRC2975	1	
10	571161	1	
11	576203	1	
12	576137	1	Note(1)
	FTC2957	1	Note(2)
13	576723	1	
14	571160	1	
15	FRC9568	1	
16	591988	1	
17	WL108001L	2	
18	SH108251L	2	
19	TKC2786L	1	Note(1)
	FTC2498	1	Note(2)
	514244	1	Note(1)
20	606733	1	
21	594091	1	

Note(1)  
Note(2)

Used upto Eng No 14L01313A,35D07802A,and G/box No 55A0204814A.  
Used from Eng No 14L01314A,35D07803A,and G/box No 55A0204815A.



**Model** RANGE ROVER 1992 onwards.  
**Page** BDCEEA1A

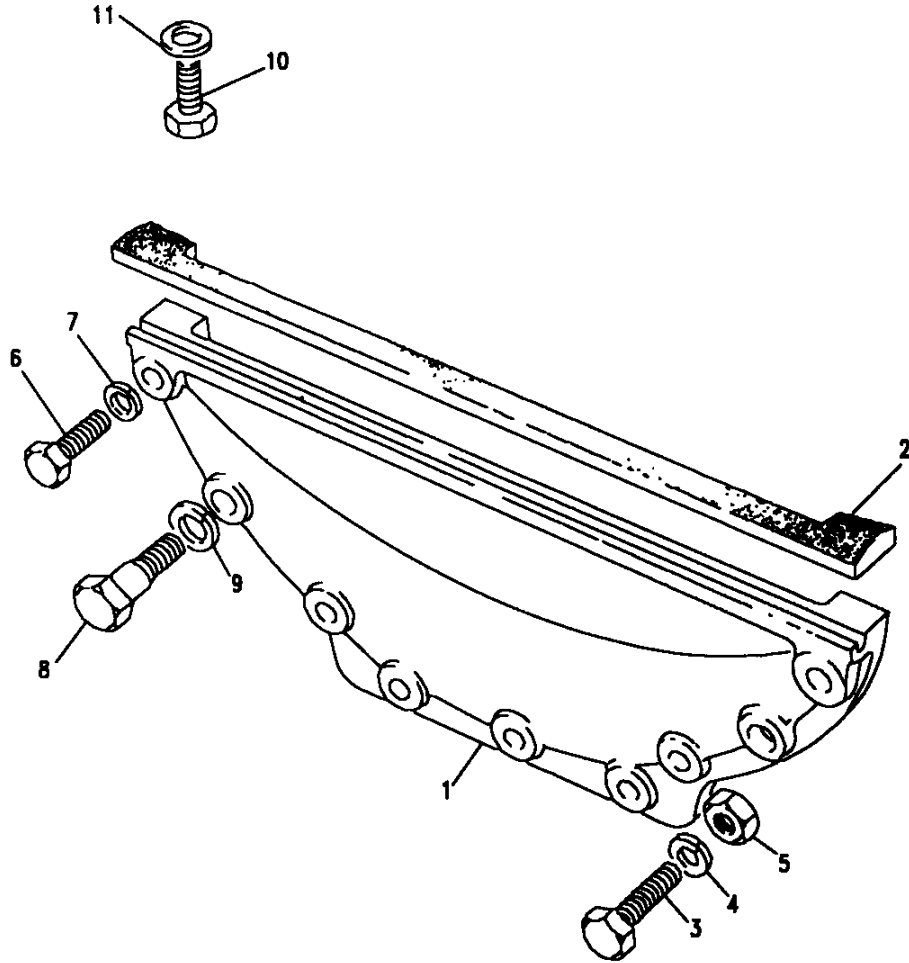
**GEARBOX - BELL HOUSING - MANUAL**

Ill. Part No.	Description	Qty	Remarks
1	FRC8570 Bell housing-VM DIESEL	1	
	FRC6154 Bell housing-PETROL	1	
	FTC1270 Bell housing-DIESEL	1	TDI ENGINE
	FTC2823 Cover insul/upper-DIESEL	1	TDI ENGINE
	FTC2824 Cover insul/lower-DIESEL	1	TDI ENGINE
2	SH112301L Bolt	4	
3	WL112001L Washer spring	4	
4	BH112091L Bolt	2	
5	WA112081L Washer plain	2	
6	WL112001L Washer spring	2	
7	FRC8758 Dowel-plug	2	
	UKC25L Dowel	2	
8	3290 Plug	1	
9	BH506161L Bolt	8	
10	WM600061L Washer spring	8	
<b>Fixings Gearbox to Engine</b>			
	BH506161L Bolt 3/8 UNCx2"	8	

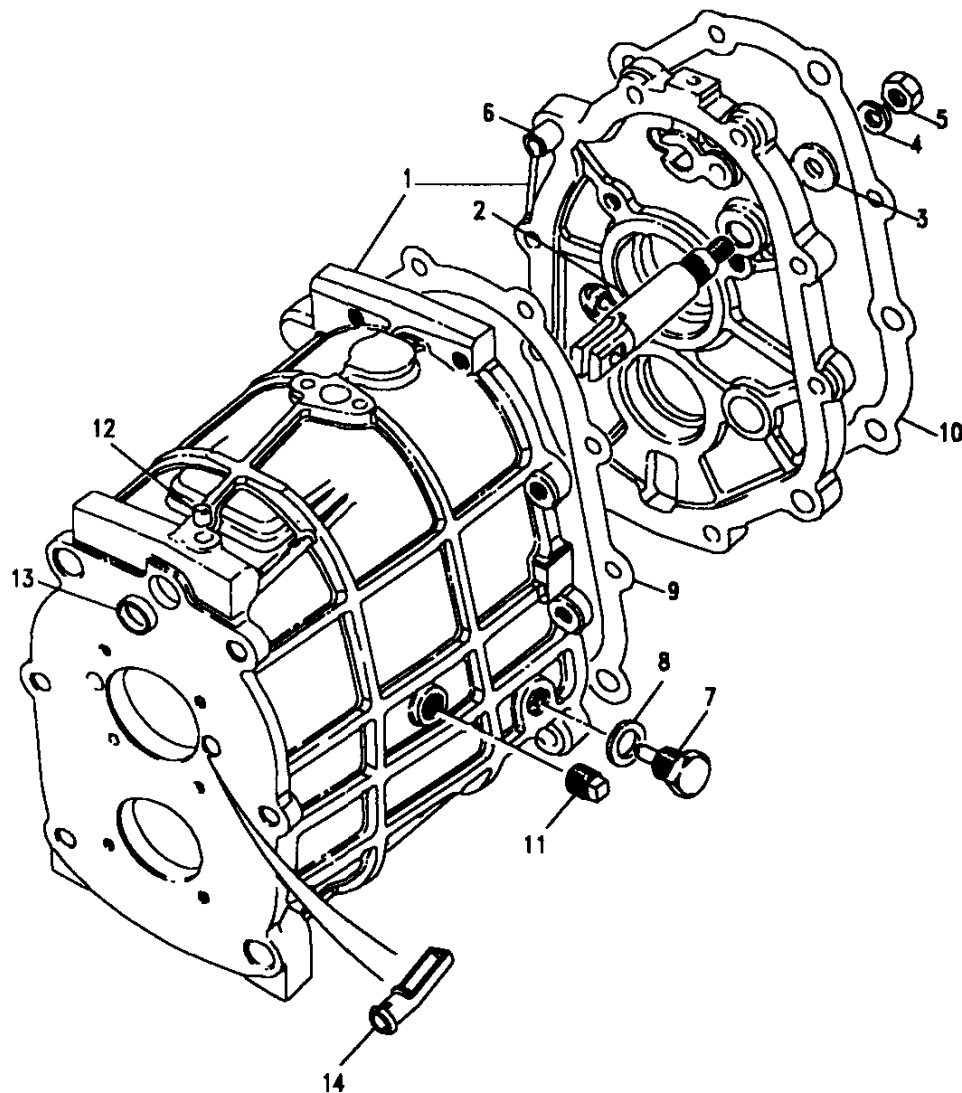
**Model** RANGE ROVER 1992 onwards  
**Page** BDCEEA2A

**GEARBOX - BOTTOM COVER - MANUAL**

Ill. Part No.	Description	Qty	Remarks
1	FRC2859	1	Cover bottom
2	594087	1	Seal-bottom cover
3	SH106451L	5	Bolt M6 x 45mm
4	WL106001L	5	Washer spring
5	NH106041L	5	Nut M6
6	SH106251L	2	Bolt M6
7	WL106001L	2	Washer spring
8	594134	2	Bolt
9	WL108001L	2	Washer spring
10	SH505041L	2	Bolt
11	232038	2	Washer



VS 1637



**Model** RANGE ROVER 1992 onwards

**Page** BDCEEA3A

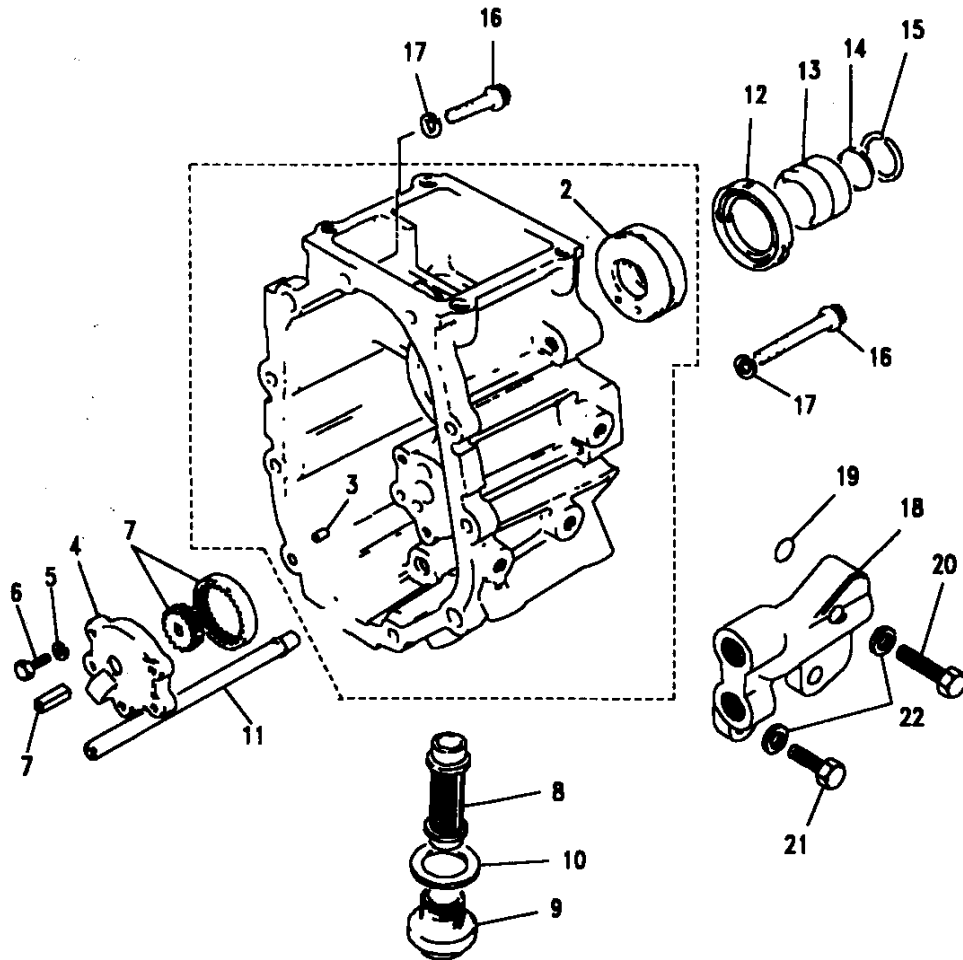
**GEARBOX - GEARCASE - MANUAL**

III. Part No.	Description	Qty	Remarks
1	FTC2192 FRC9427 FRC9430 BAU1689	1 1 1 1	Suffix H
2	FRC8383	1	
3	WA110061L	1	
4	WL100001L	1	
5	NH100041L	1	
6	UKC170L	2	
7	FRC6145	1	
8	FTC4112	1	Note(1)
9	TKC1229L	1	Note(1)
10	TKC1235L	1	Note(1)
11	3292	1	
12	FRC9803	1	
13	UKC30L	1	
14	TKC5779L	1	

Note(1) Part of gasket kit RTC3889

Model RANGE ROVER 1992 onwards  
 Page BDCEGA1B

GEARBOX - EXTENSION CASE - MANUAL



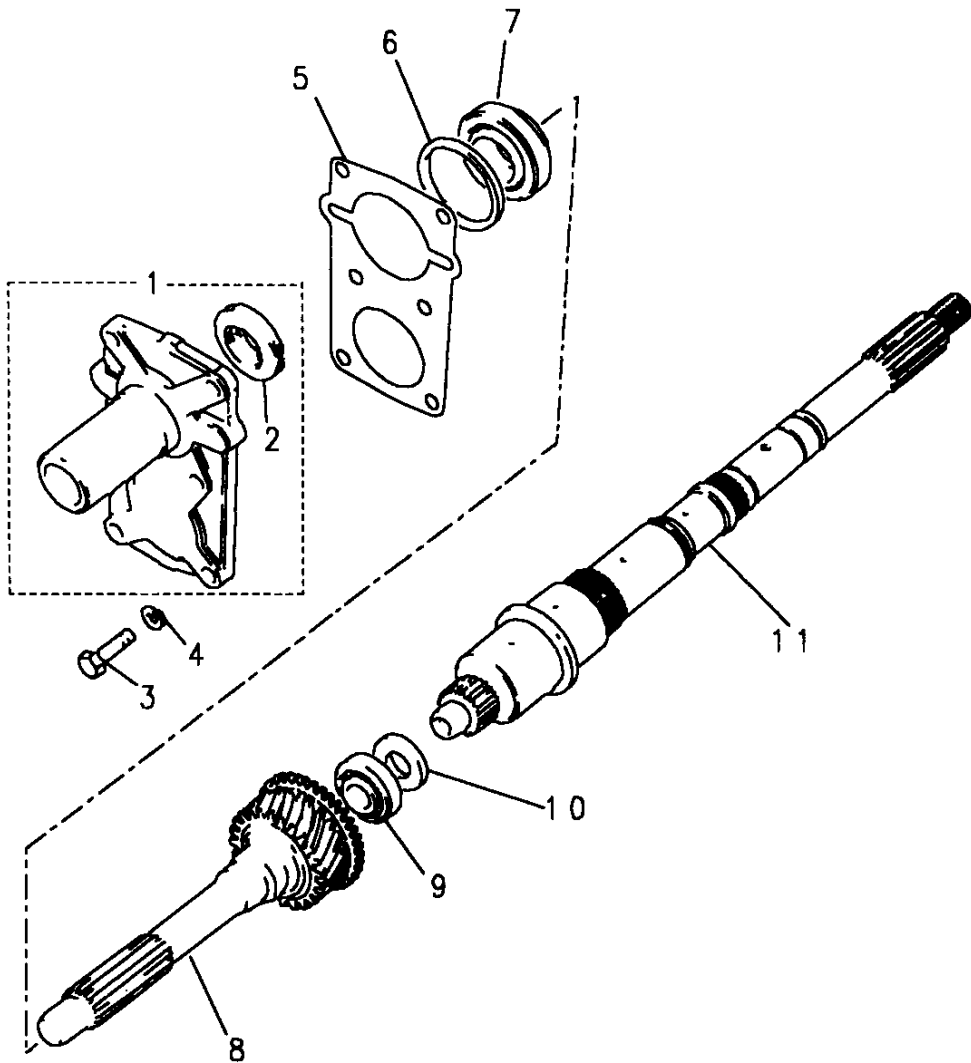
III. Part No.	Description	Qty	Remarks
1	FTC1482	1	Extension case PETROL
	FTC1494	1	Extension case DIESEL
2	FRC4449	1	Ring oil feed
3	UKC2738L	2	Dowel
	FTC1533	1	Screw plug-ext/case
4	FTC1403	1	Pump oil body
	FTC3623	1	Body oil pump
5	WL106001L	3	Washer spring
6	FS106201	3	Screw
7	RTC6730	1	Gears pump shaft
8	FRC6244	1	Filter
9	90571104	1	Plug filter
10	FRC4810	1	Washer joint
11	FRC8104	1	Pipe inlet-pump
12	FRC2365	1	Seal oil
13	FRC4493	1	Collar-oil seal
14	FRC4501	1	O ring-collar
15	FRC4494	1	Ring spring-collar
16	FRC4282	8	Bolt
	BH108105L	2	Bolt M8x50
17	WL108001L	10	Washer spring
18	FTC1404	1	Thermostat hsg oil pump
19	FTC1441	2	O ring-thermostat Hsg
20	SH108401L	1	Screw-M8x40
21	SH108301L	2	Screw-M8x30
22	WA108051L	3	Washer-plain
	BAU1689	1	Clip pipe
	FRC9310	1	Retainer-clip
	FTC890	1	Stud-lifting bracket

Note(1) Part of gasket kit RTC3889

Model RANGE ROVER 1992 onwards

Page BDCEIA1A

GEARBOX - MAINSHAFT - MANUAL

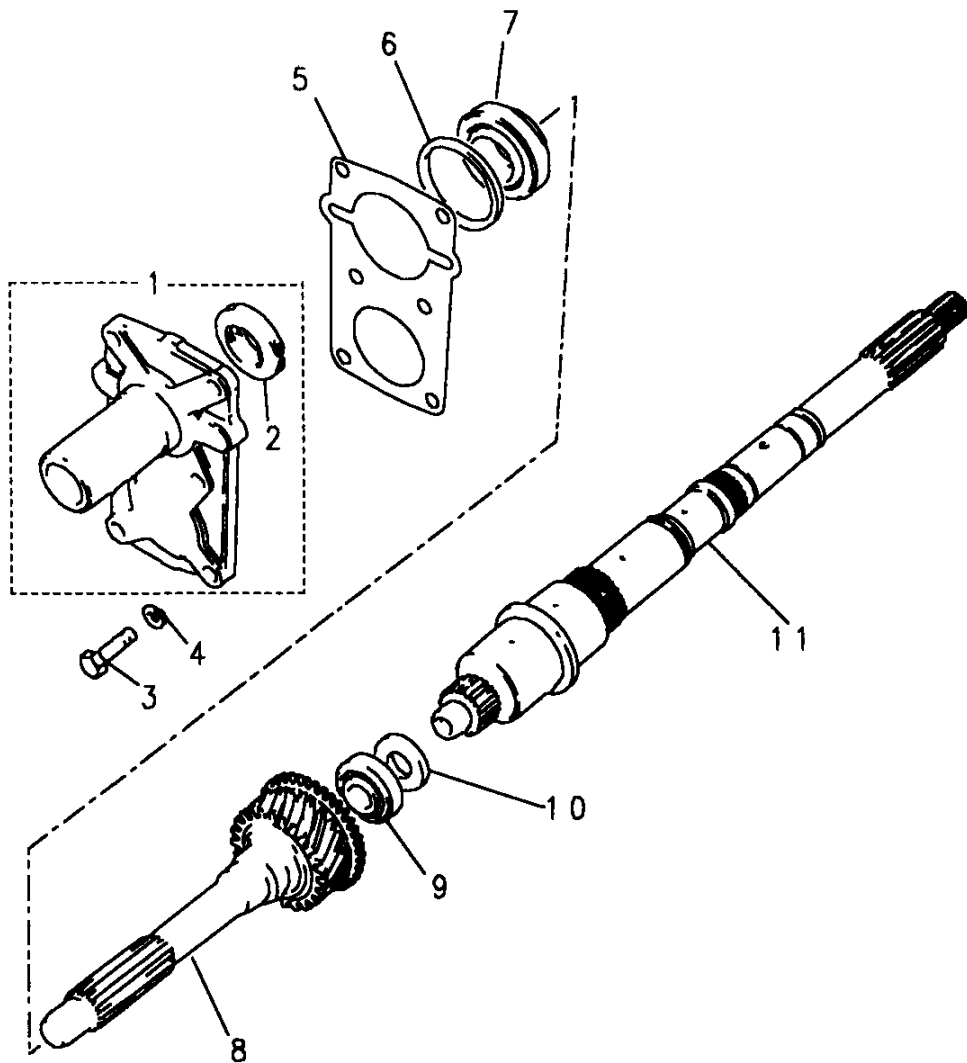


Ill. Part No.	Description	Qty	Remarks
1	FTC917	1	
	FTC2822	1	Note(1)
2	UKC1060L	1	Seal oil front cover
3	SH108251L	6	Screw
4	WA108051L	6	Washer spring
5	FTC316	1	Gasket-cover to gearbox
6			SHIMS
	FRC4327	A/R	1.51mm
	FRC4329	A/R	1.57mm
	FRC4331	A/R	1.63mm
	FRC4333	A/R	1.69mm
	FRC4335	A/R	1.75mm
	FRC4337	A/R	1.81mm
	FRC4339	A/R	1.87mm
	FRC4341	A/R	1.93mm
	FRC4343	A/R	1.99mm
	FRC4345	A/R	2.05mm
	FRC4347	A/R	2.11mm
	FRC4349	A/R	2.17mm
	FRC4351	A/R	2.23mm
	FRC4353	A/R	2.29mm
	FRC4355	A/R	2.35mm
	FRC4357	A/R	2.41mm
	FRC4359	A/R	2.47mm
	FRC4361	A/R	2.53mm
	FRC4363	A/R	2.59mm
	FRC4365	A/R	2.65mm
	FRC4367	A/R	2.71mm
	FRC4369	A/R	2.77mm

Note(1) Front cover with short nose piece

**Model** RANGE ROVER 1992 onwards  
**Page** BDCEIA1A

**GEARBOX - MAINSHAFT - MANUAL**



III. Part No.	Description	Qty	Remarks
7	RTC6751	1	Bearing
8	FTC347	1	Constant pinion-PETROL
	FTC1112	1	Disc synchro stop
8	FTC921	1	Constant pinion-VM/DIESEL
	FTC1112	1	Disc synchro stop
8	FTC1426	1	Constant pinion-DIESEL
	FTC1112	1	Disc synchro stop
	RTC6751	1	Bearing taper roller
9	UKC8L	1	Bearing
10	UKC37L	1	Spacer
11	FTC1282	1	Mainshaft assembly

)TDI ENGINE  
 )

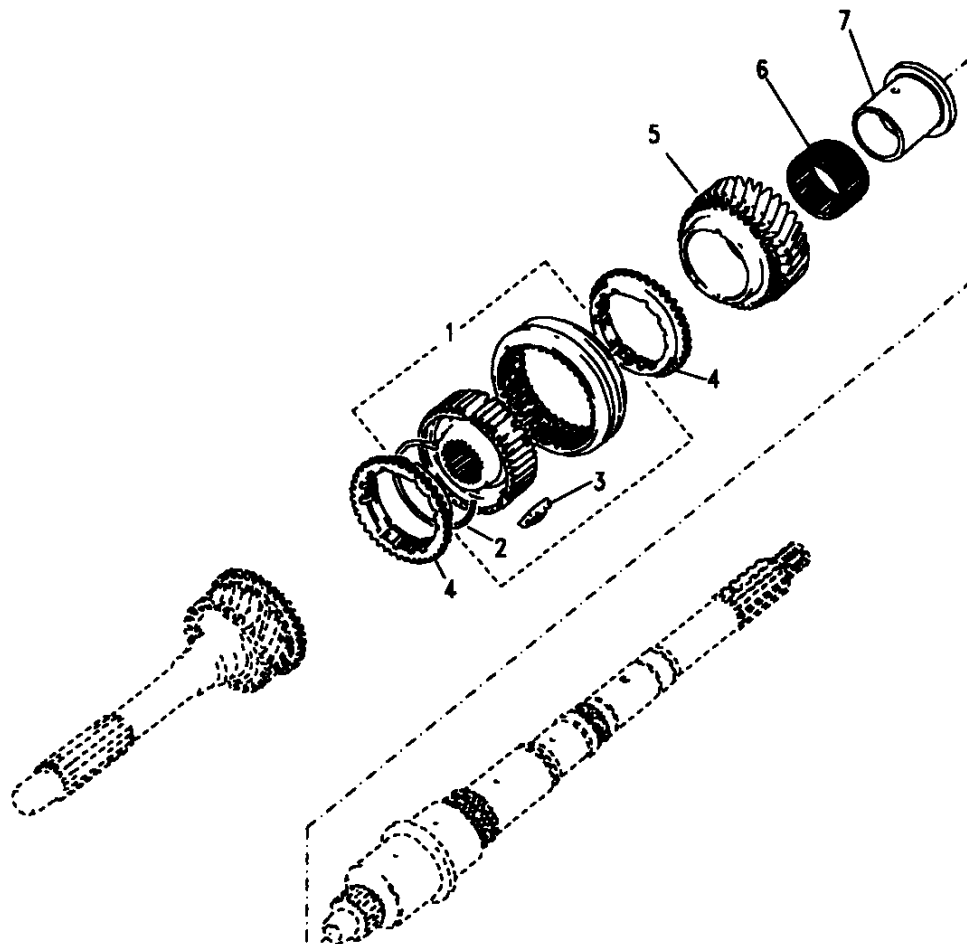


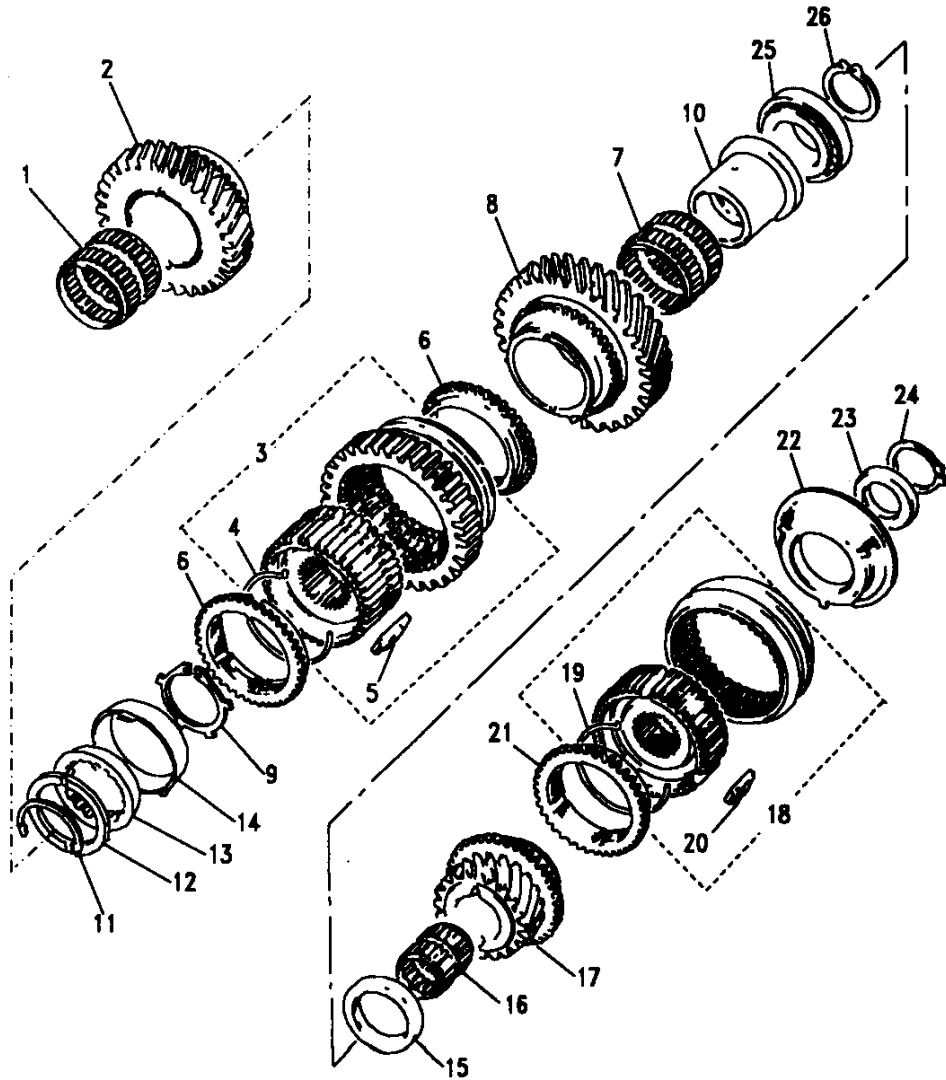
Model RANGE ROVER 1992 onwards

Page BDCEIC1A

GEARBOX - MAINSHAFT GEARS - MANUAL

III. Part No.	Description	Qty	Remarks
<b>3rd and 4th gears.</b>			
1 FRC9792	Synchro assembly	1	
2 UKC31L	Spring synchro	2	
3 UKC3530L	Plate shifting	3	
4 FRC8232	Baulk ring	2	
5 FTC2504	Gear 3rd speed PETROL	1	
5 FTC2505	Gear 3rd speed DIESEL	1	
6 FTC1313	Bearing-needle roller	2	
7 FTC1310	Bush-mainshaft 3rd gear	1	



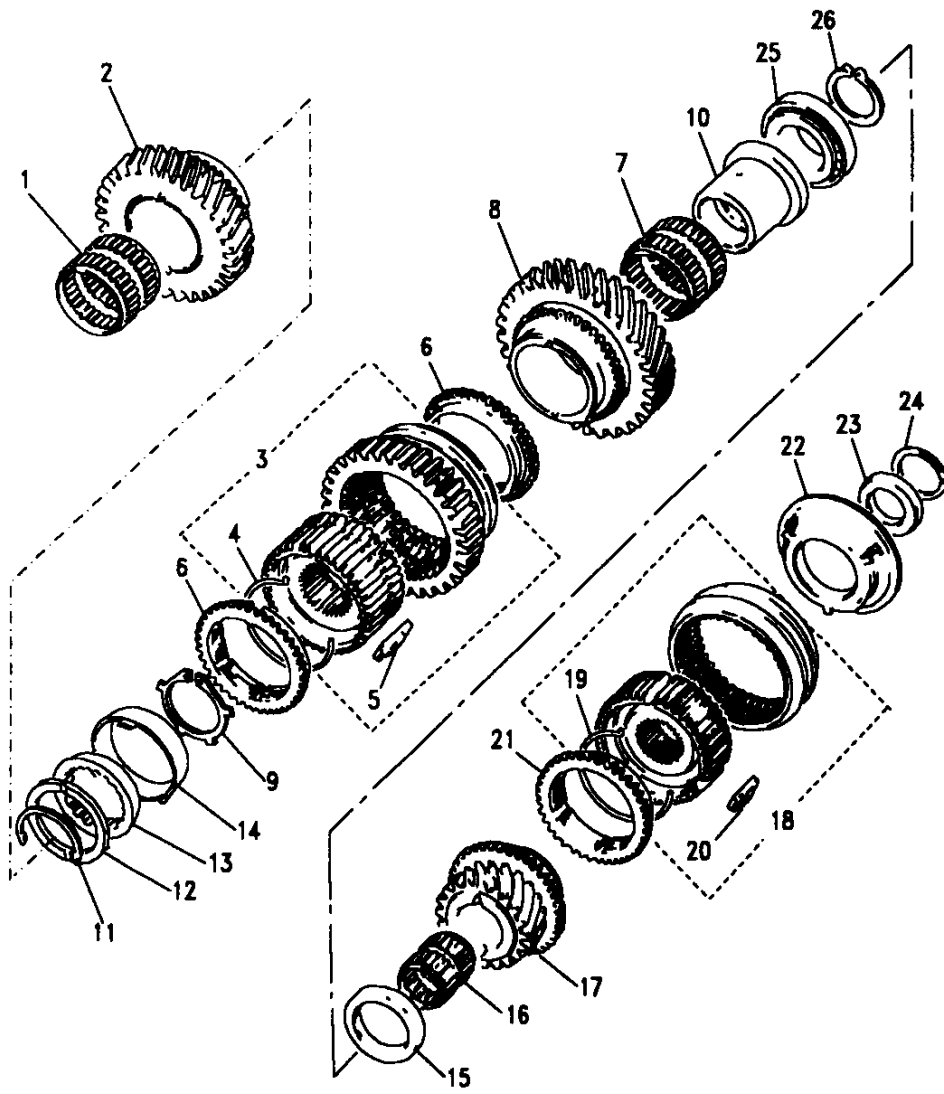


**Model** RANGE ROVER 1992 onwards  
**Page** BDCEIC2A

**GEARBOX - MAINSHAFT GEARS - MANUAL**

III. Part No.	Description	Qty	Remarks
<b>1st and 2nd gears.</b>			
1	FTC1312	1	Bearing-needle roller
2	FTC2462	1	Gear 2nd speed DIESEL
	FTC2461	1	Gear 2nd speed PETROL
3	STC8577	1	Kit 1st/2nd synchro
	FTC4087	1	Synchro 1st/2nd
4	FTC2285	2	Spring synchro
5	FTC4011	3	Plate shifting 1st & 2nd
6	FTC2282	2	Baulk ring
	FTC4007	2	Baulk ring
7	FTC1311	2	Bearing-needle roller
8	FTC1989	1	Gear 1st speed DIESEL
	FTC1982	1	Gear 1st speed PETROL
	UKC37L	1	Spacer-synchro hub/pilot
9	FTC4009	2	Circlip-1st & 2nd hub

Note(1) From gearbox 0242820H



**Model** RANGE ROVER 1992 onwards  
**Page** BDCEIC2A

**GEARBOX - MAINSHAFT GEARS - MANUAL**

Ill. Part No.	Description	Qty	Remarks
<b>1st and 2nd gears.</b>			
10	FTC2005	1	Bush 1st speed
	FTC2006	1	Bush 1st speed
	FTC2007	1	Bush 1st speed
	FTC2008	1	Bush 1st speed
	FTC2009	1	Bush 1st speed
11	FTC1752	1	Circlip-mainshaft
12	FTC1301	2	Spacer-1st & 2nd synchro
13	FTC2283	2	Cone-synchro inner
14	FTC2284	2	Ring-dual line synchro
13	FTC4008	2	Cone-synchro inner
14	FTC4010	2	Ring-dual line synchro

Note(1) From gearbox 0242820H

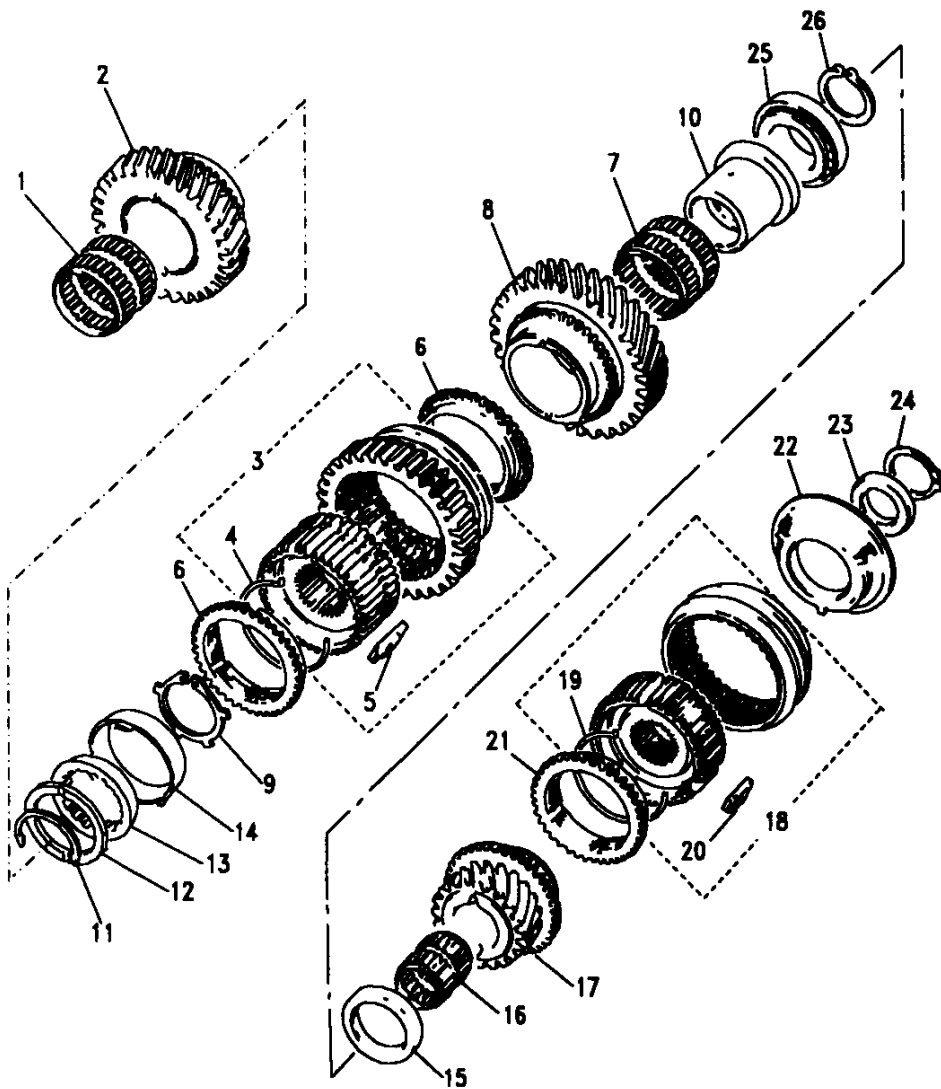
**Model** RANGE ROVER 1992 onwards  
**Page** BDCEIC2A

**GEARBOX - MAINSHAFT GEARS - MANUAL**

**III. Part No. Description Qty Remarks**

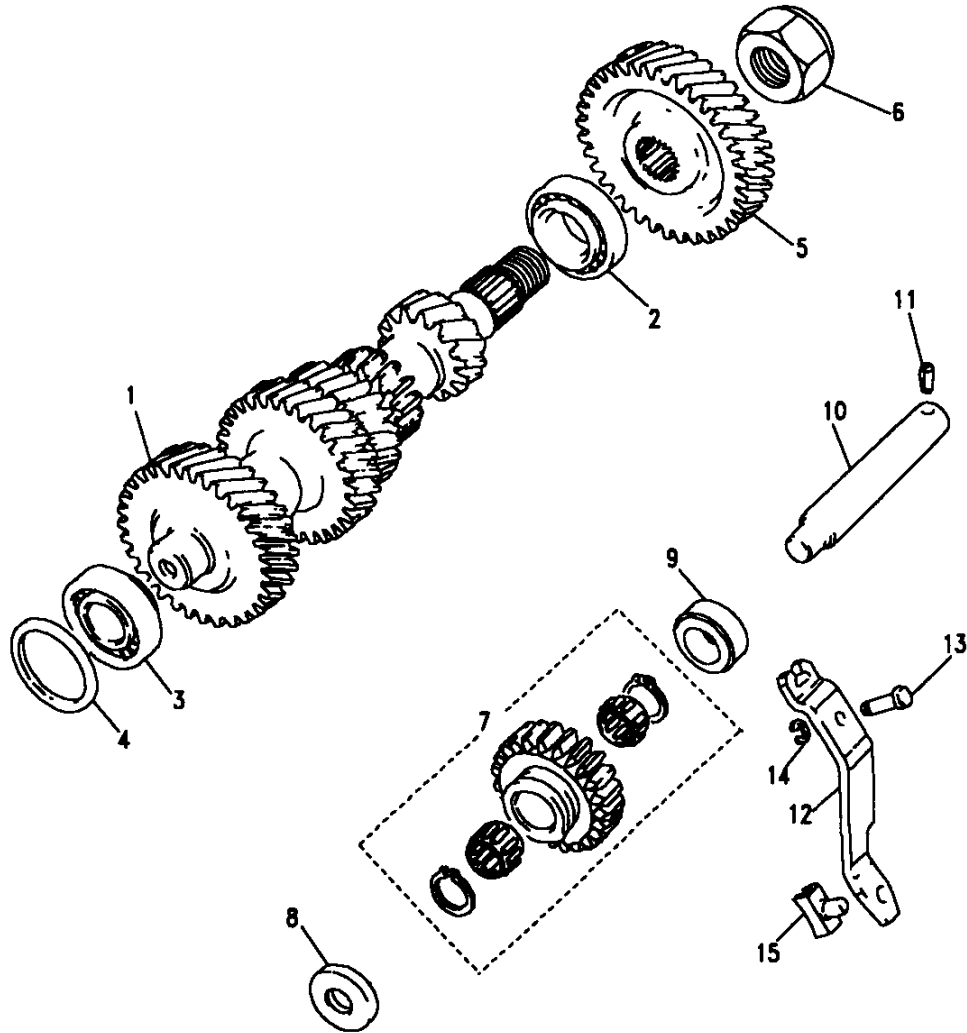
**5th gear**

15	FRC4321	Collar-5th gear	1
16	FRC5280	Bearing-needle 5th gear	1
17	FTC1791	Gear 5th speed DIESEL	1
	FTC1380	Gear 5th speed PETROL	1
	FTC916	Spacer-5th gear	1
18	FTC1329	Synchro 5th gear	1
19	UKC31L	Spring synchro	1
20	UKC3530L	Plate shifting	3
21	FRC8232	Baulk ring	1
22	FRC5235	Plate support assembly	1
		<b>WASHER SUPPORT</b>	
23	FRC5284	5.10mm	A/R
	FRC5286	5.16mm	A/R
	FRC5288	5.22mm	A/R
	FRC5290	5.28mm	A/R
	FRC5292	5.34mm	A/R
	FRC5294	5.40mm	A/R
	FRC5296	5.48mm	A/R
	FRC5298	5.52mm	A/R
	FRC5300	5.58mm	A/R
	FRC5302	5.64mm	A/R
24	FRC9526	Circlip-5th synchro	A/R
25	RTC2914	Bearing taper roller	1
26	FRC9812	Circlip-centre bearing	1



Model RANGE ROVER 1992 onwards  
 Page BDCEIE1A

**GEARBOX - LAYSHAFT - REVERSE IDLER - MANUAL**

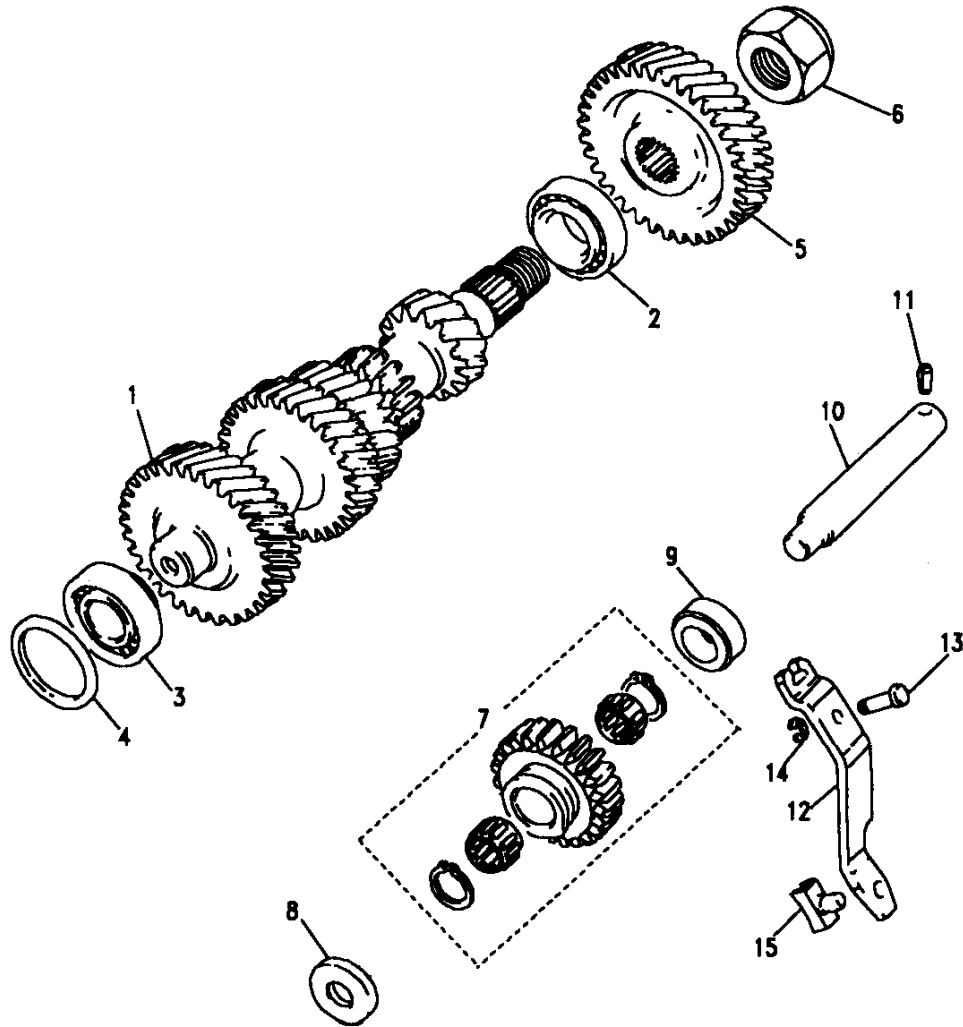


III. Part No.	Description	Qty	Remarks
1	FTC1074 Layshaft DIESEL	1	
	FTC1073 Layshaft PETROL	1	
2	FTC317 Bearing REAR layshaft	1	
3	FTC248 Bearing FRONT layshaft	1	
	WASHER		
4	FTC263 1.39mm	1	
	FTC265 1.45mm	1	
	FTC267 1.51mm	1	
	FTC269 1.57mm	1	
	FTC271 1.63mm	1	
	FTC273 1.69mm	1	
	FTC275 1.75mm	1	
	FTC277 1.81mm	1	
	FTC279 1.87mm	1	
	FTC281 1.93mm	1	
	FTC283 1.99mm	1	
	FTC285 2.05mm	1	
	FTC287 2.11mm	1	
	FTC289 2.17mm	1	
	FTC291 2.23mm	1	
	FTC293 2.29mm	1	
	FTC295 2.35mm	1	
5	FTC419 Gear 5th-layshaft DIESEL	1	
	FTC1359 Gear 5th-layshaft PETROL	1	
6	FRC7214 Nut	1	

**Model** RANGE ROVER 1992 onwards  
**Page** BDCEIE1A

**GEARBOX - LAYSHAFT - REVERSE IDLER - MANUAL**

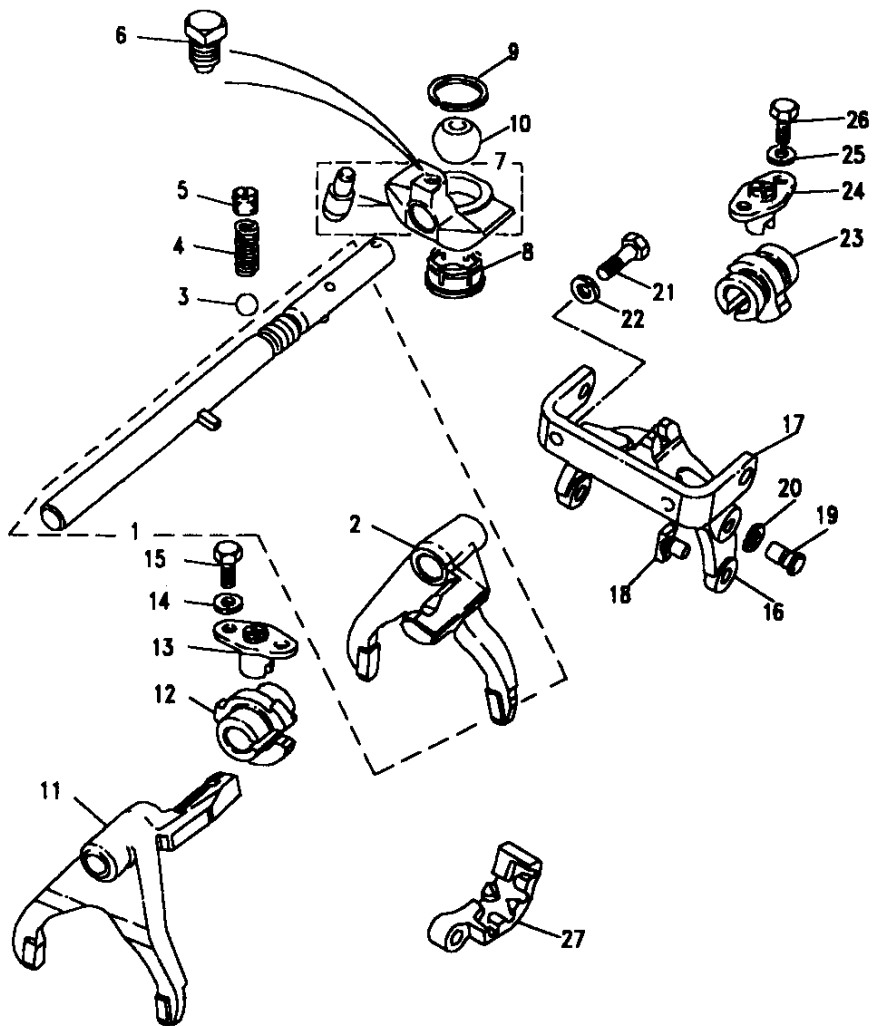
III. Part No.	Description	Qty	Remarks
7	FRC8285	1	Gear reverse idler
8	FRC4947	1	Spacer FRONT rev/idler
9	FRC5186	1	Spacer REAR rev/idler
10	FRC5095	1	Shaft-reverse idler
11	UKC18L	1	Pin roll-reverse idler
12	FRC8246	1	Lever Reverse Operating
13	FRC8382	1	Pivot-reverse lever
14	13H2023L	1	Circlip-Pivot
15	FTC1435	1	Slipper pad-reverse gear



Model RANGE ROVER 1992 onwards

Page BDCEKA1A

GEARBOX - SELECTORS & SHAFT - MANUAL

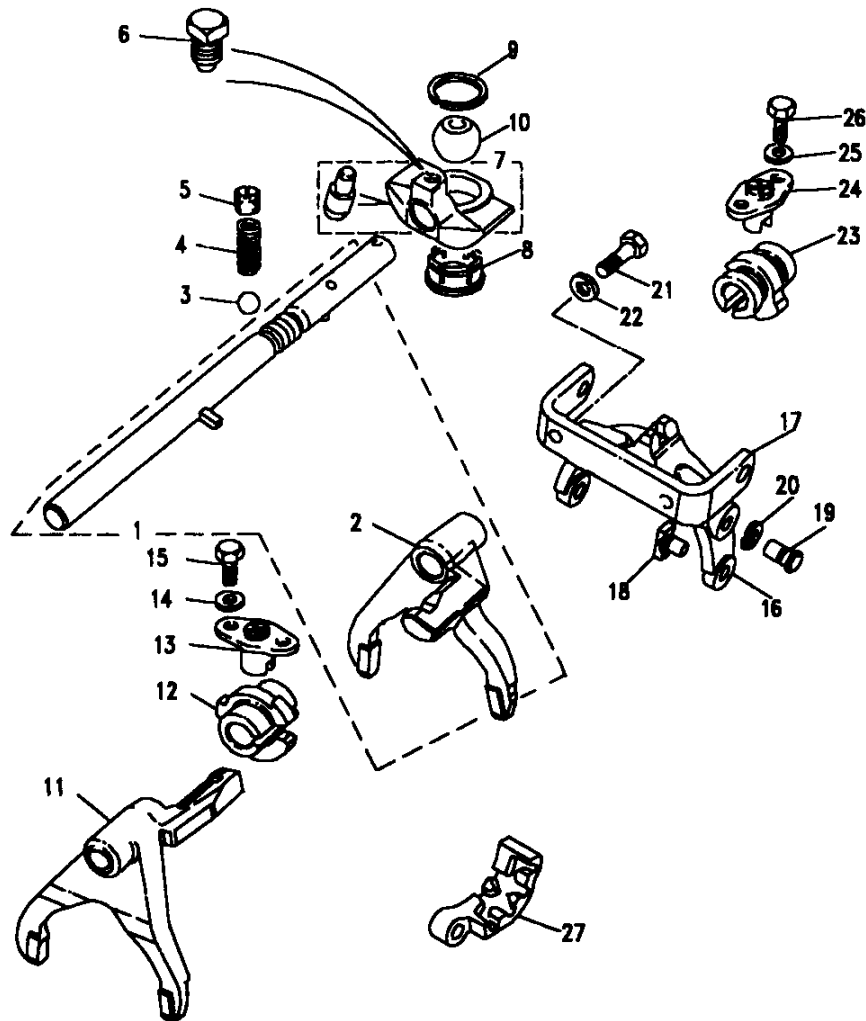


III. Part No.	Description	Qty	Remarks
1	FTC1316	1	Shaft assy/selector fork
2	FTC2450	1	Selector fork 1st & 2nd
3	BLS112L	1	Ball detent
4	FTC3382	1	Spring detent
5	FTC2193	1	Plug detent
6	FRC7018	1	Screw grub
7	FTC2202	1	Yoke assembly
	FTC1488	1	Pin-selector yoke
8	FTC2203	1	Bush spherical
9	FRC8882	1	Ring snap
10	FRC8485	1	Ball end
11	FTC1489	1	Fork sel/3rd/4th gear
12	TKC290	1	Spool-interlock

120477B

Model RANGE ROVER 1992 onwards  
 Page BDCEKA1A

GEARBOX - SELECTORS & SHAFT - MANUAL



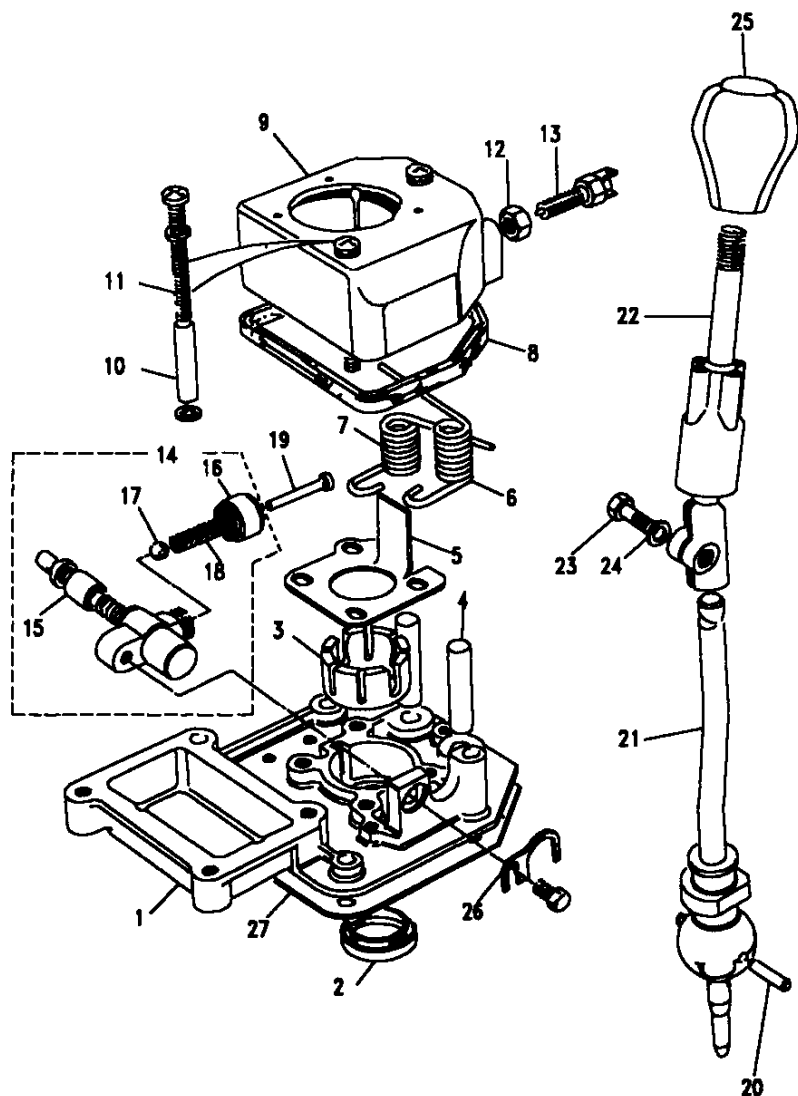
III. Part No.	Description	Qty	Remarks
13	FRC8239	1	
	FRC8170	1	
14	WM106001L	2	
15	FS106167	2	
16	FRC8482	1	
17	FRC8481	1	
18	532943	1	
19	UKC2089L	2	
20	UKC2105L	2	
21	FS106167	2	
22	WL108001L	2	
23	FRC7192	1	
24	FRC4905	1	
25	WL108001L	2	
26	FS106167	2	
	FRC2481	2	
27	FTC1512	1	NOT USED FROM
	FS108351	2	55A0183939H

1804-177B



**Model** RANGE ROVER 1992 onwards  
**Page** BDCEKC2A

**GEARBOX - GEAR LEVER - MANUAL**

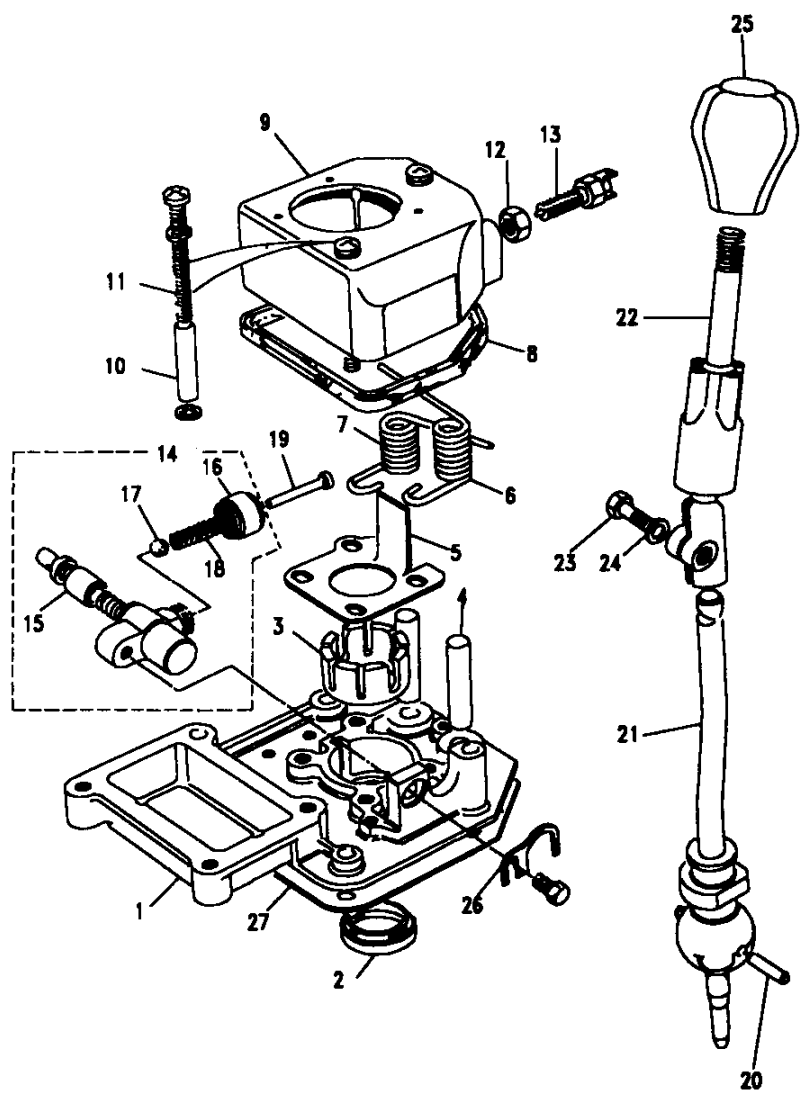


III. Part No.	Description	Qty	Remarks
1	FTC2448	1	Housing-gear lever
2	FTC2199	1	Seal oil
3	FRC9985	1	Bush spherical-nylon
4	FRC9028	2	Pin-torsion springs
5	FTC1987	1	Plate-bias adjuster
6	FTC1988	1	Spring torsion 1st/2nd
7	FRC8490	1	Spring torsion 5th
8	FRC8507	1	Seal-cover
9	FRC8915	1	Housing top cover
10	FRC8520	2	Spacer-top cover
11	SE106601	2	Screw-pin head
12	NT110041L	1	Locknut
13	PRC2911	1	Switch reverse light
14	FTC1908	1	Plunger reverse
15	FTC4082	1	Plunger assy
16	FRC6318	1	Spring return
17	FRC8793	1	Cap detent spring
18	571146	1	Ball-detent
19	FRC8776	1	Spring-reverse
20	FRC8517	1	Plunger-reverse switch
21	UKC3092	2	Pin-lever gear change

From 0239604H

**Model** RANGE ROVER 1992 onwards  
**Page** BDCEKC2A

**GEARBOX - GEAR LEVER - MANUAL**

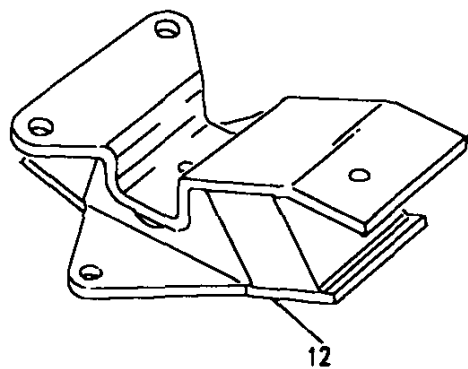
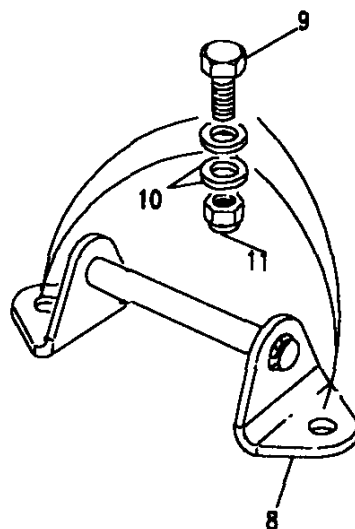
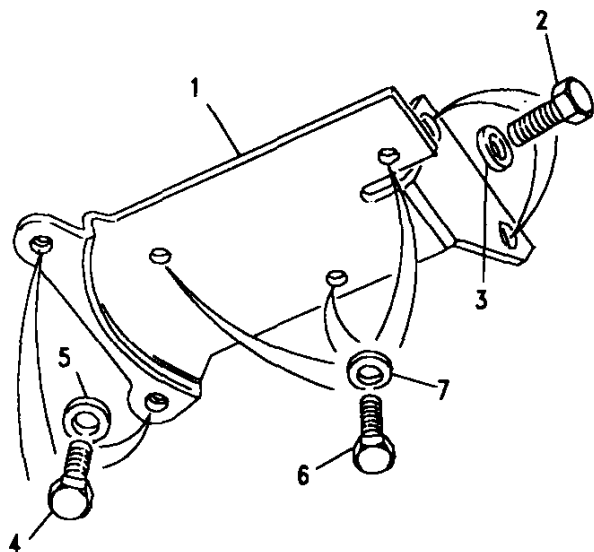


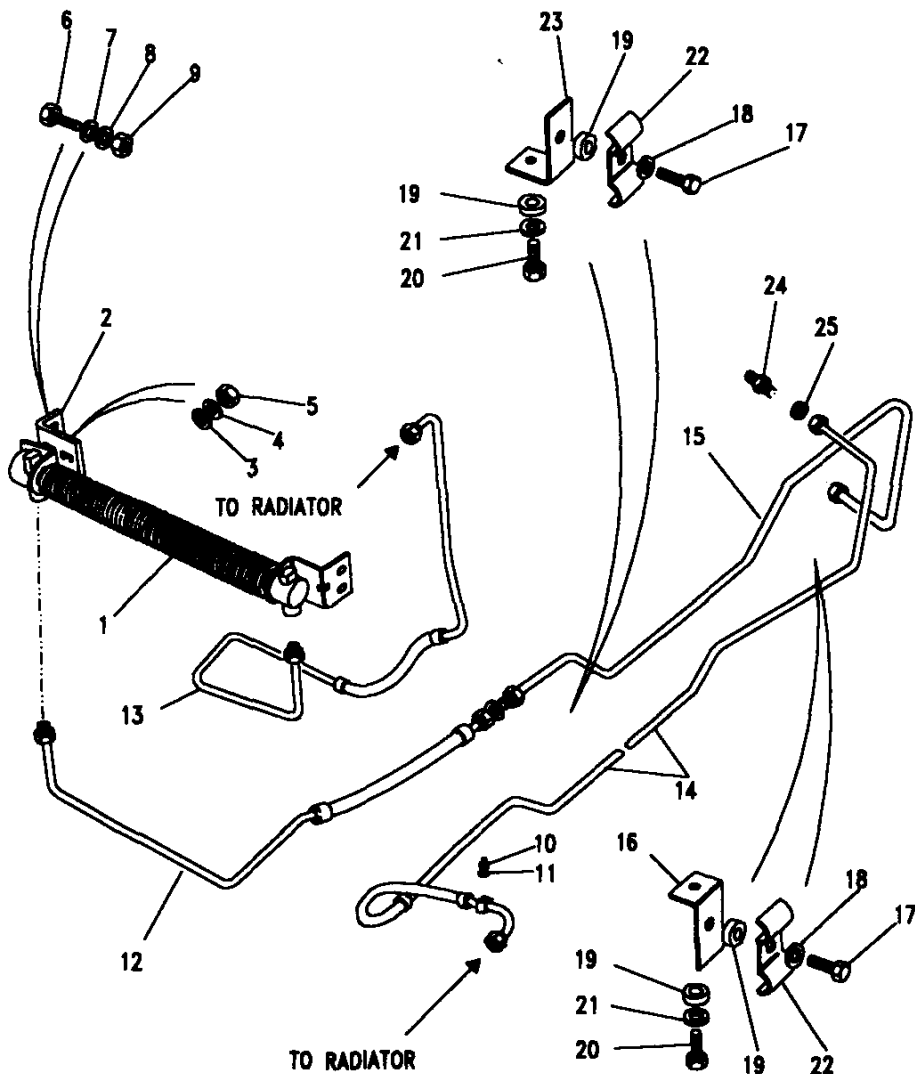
III. Part No.	Description	Qty	Remarks
21	FTC4026 Gear lever-lower assy	1	
22	FTC4129 Gear lever-upper assy	1	
23	SH108251L Bolt	1	
24	WA108051L Washer Plain	1	
25	FTC1245RUN Knob assembly	1	
26	FRC8505 Washer joint	1	
	FRC2826 Spring pin	2	
	FS106201 Screw-bias adjuster	2	
	WA108051L Washer plain	2	
	FB108061 Bolt-plate to hsg	2	
	SH108301L Screw set M8x30	1	
	NH106041L Lock Nut	2	
	FS106167 Screw	1	
	SH108251L Screw set M8x25	4	
	WA106041L Washer plain	2	
	WL108001L Washer spring	8	
	BH108071L Bolt M8x35	2	
	FB108101 Bolt M8x50	2	
	FB108111 Bolt flanged	1	
	FB108121 Flange bolt	1	
	SH108251L Screw set	4	

**Model** RANGE ROVER 1992 onwards  
**Page** BDCEMA1A

**GEARBOX - MOUNTINGS - 2.5 TDI**

III. Part No.	Description	Qty	Remarks
1	NTC7558 Bracket mounting	1	
2	SH110251L Screw	2	
3	WA110061L Washer plain	2	
4	SH108161L Screw	2	
5	WA108051L Washer plain	2	
6	SH108251L Screw	3	
7	WA108051L Washer plain	3	
8	NTC7853 Bar snubbing	1	
9	SH110251L Screw	2	
10	WA110061L Washer plain	4	
11	NY110041L Nut nyloc	2	
12	NTC6282 Mounting rubber	1	





**Model** RANGE ROVER 1992 onwards  
**Page** BDCEO1A

**GEARBOX - OIL COOLER - MANUAL**

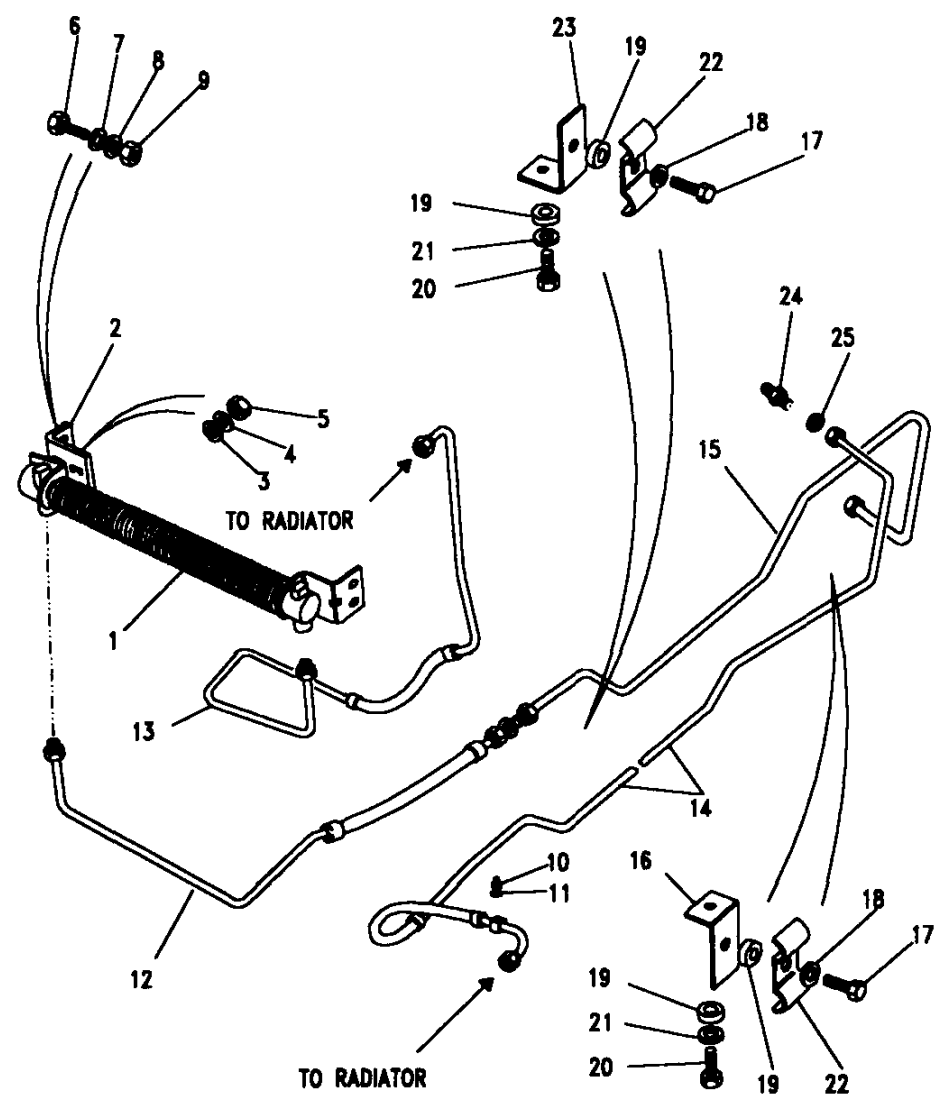
III. Part No.	Description	Qty	Remarks
1 NTC6166	Oil cooler	1	Note(1)
ESR1703	Oil cooler	1	Note(2)
2 NTC1868	Mounting bracket	1	
3 WA106041L	Washer plain	2	
4 WL106001L	Washer spring	2	
5 NH106041L	Nut	2	
6 FS106167	Screw	4	
7 WA106041L	Washer plain	4	
8 WL106001L	Washer spring	4	
9 NH106041L	Nut	4	
10 PRC3139	Switch oil temp	1	
11 232039	Washer sealing	1	
12 NTC5799	Pipes cooler to g/box	1	Note(1)
ESR1243	Pipes cooler to g/box	1	Note(2)
ESR1594	O Ring	1	
ESR2093	Pipes cooler to g/box	1	Note(3)
13 NTC5743	Pipes g/box to cooler	1	Note(1)
ESR1247	Pipes g/box to cooler	1	Note(2)
ESR1594	O Ring	1	
ESR2094	Pipes g/box to cooler	1	Note(3)

Note(1) up to JA624755  
 Note(2) from KA624756  
 Note(3) from KA626100

**Model** RANGE ROVER 1992 onwards  
**Page** BDCEO1A

**GEARBOX - OIL COOLER - MANUAL**

III. Part No.	Description	Qty	Remarks
16	NTC5794	1	Mounting bracket
17	SH505081L	2	Screw
18	WL106001L	2	Washer spring
19	4266L	4	Washer plain
20	SH505081L	2	Washer plain
21	WL108001L	2	Washer spring
22	594637	2	Clamp saddle
23	NTC5897	1	Mounting bracket
24	FTC815	2	Adaptor pipe
25	FTC1525	2	Seal bonded



MASTER INDEX

	PAGES
INTRODUCTION PAGES	1 - 3
ALPHABETICAL INDEX	4 - 9
ENGINE	10 - 50
ENGINE	51 - 88
ENGINE	89 - 133
ENGINE	134 - 172
GEARBOX	173 - 194
GEARBOX	195 - 211
GEARBOX	212 - 238
TRANSFER BOX	239 - 252
AXLES AND SUSPENSION	253 - 313
STEERING	314 - 332
VEHICLE AND ENGINE CONTROLS	333 - 343
BRAKES	344 - 374
FUEL SYSTEM AND AIR CLEANER	375 - 401
EXHAUST SYSTEM	402 - 409
COOLING/HEATING	410 - 456
BODY ELECTRICAL	457 - 574
BODY AND CHASSIS	575 - 681
INTERIOR TRIM	682 - 772
SEATS	773 - 843
SEATS	844 - 862
STOWAGE	863 - 865
ACCESSORIES - PAINTS	866 - 893
NUMERICAL INDEX	895 - 958

GROUP C

GEARBOX

GEARBOX

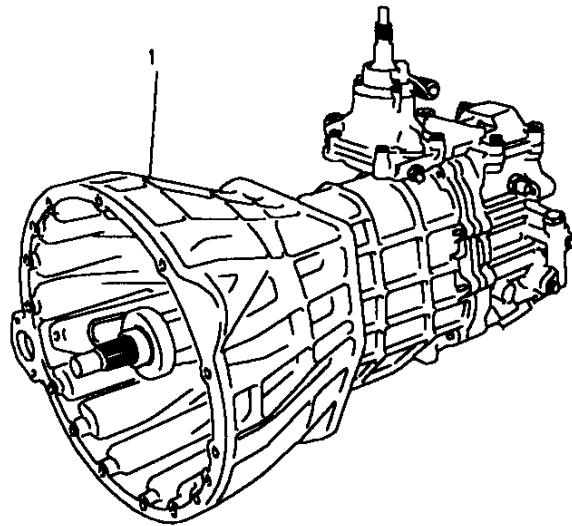
5 SPEED-MANUAL R380	196
CLUTCH RELEASE MECHANISM - DIESEL - R380	197
CLUTCH RELEASE MECHANISM - V8 - R380	198
GEARCASE - MANUAL - R380	199 - 200
BELL HOUSING - MANUAL - R380	201
GEARCASE - MANUAL V8 - R380	202
EXTENSION CASE - MANUAL - R380	203
MAINSHAFT - MANUAL - R380	204
MAINSHAFT GEARS-MANUAL-R380	205 - 207
LAYSHAFT - MANUAL - R380	208
SELECTORS 209 SHAFT - MANUAL - R380	209
GEARSHIFT - MANUAL - R380	210
OIL COOLER V8 - MANUAL - FROM MA647645	211

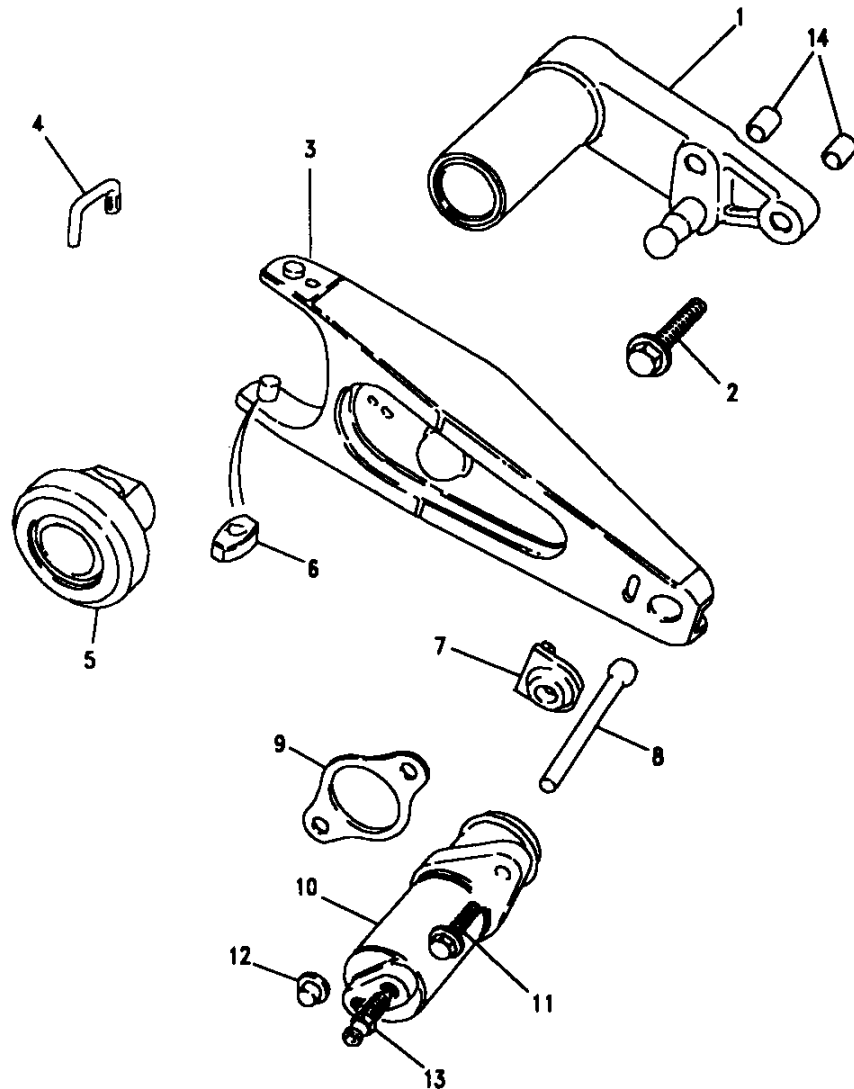
**Model** RANGE ROVER 1992 onwards  
**Page** BDCFAA1A

**GEARBOX-5 SPEED-MANUAL R380**

III. Part No.	Description	Qty	Remarks
STC1543N	Gearbox assembly	1	Note(1)
STC1544N	Gearbox assembly	1	Note(2)

Note(1) Petrol 53A suffix J  
 Note(2) Diesel 55A suffix J





**Model** RANGE ROVER 1992 onwards  
**Page** BDCFCA1A

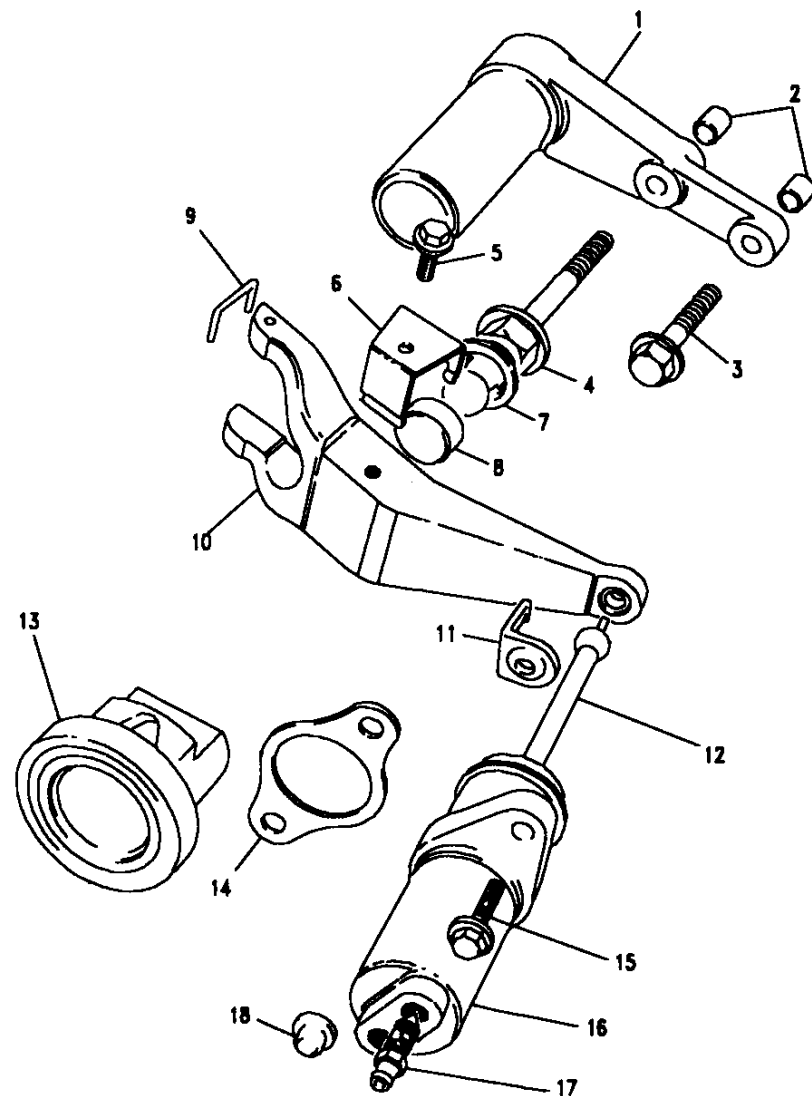
### GEARBOX - CLUTCH RELEASE MECHANISM - DIESEL - R380

III. Part No.	Description	Qty	Remarks
1	FTC1271	1	Guide release bearing
2	FB108101	2	Bolt m8x50
3	FTC2957	1	Lever clutch release
4	FRC3416	1	Staple
5	FRC9568	1	Bearing clutch
6	FRC5255	2	Slipper pad clutch
7	FRC3327	1	Clip
8	FTC3912	1	Push rod clutch
9	FRC2402	1	Backing plate
10	FTC3911	1	Slave cylinder clutch
11	FS108251L	2	Screw
12	594091	1	Dust cap
13	608733	1	Bleed screw
14	FRC2481	2	Dowel guide



**Model** RANGE ROVER 1992 onwards  
**Page** BDCFCA2A

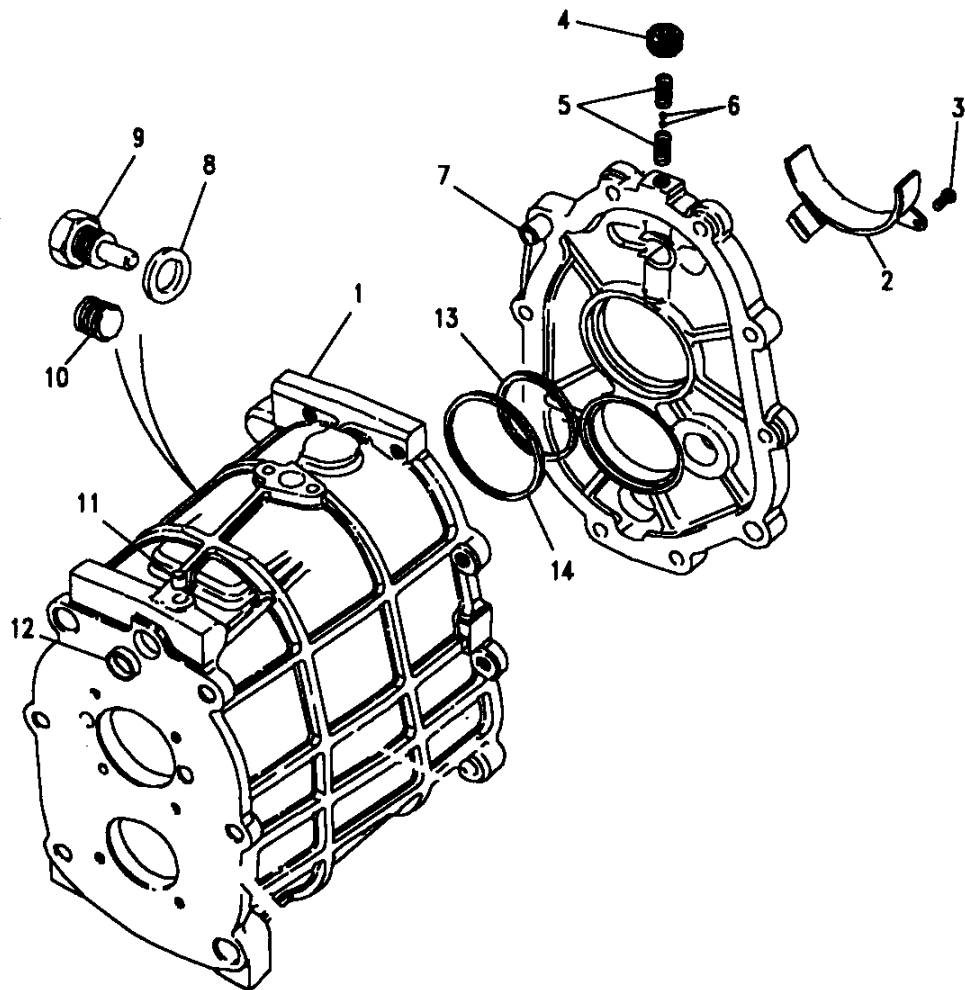
**GEARBOX - CLUTCH RELEASE MECHANISM - V8 - R380**



III. Part No.	Description	Qty	Remarks
1	FRC4803	1	Guide release bearing
2	FRC2481	2	Dowel
3	FB108101	1	Bolt
4	FRC2528	1	Pivot clutch release
5	FS106101L	1	Screw
6	571163	1	Retainer
7	FRC2975	1	Cap clutch release lever
8	571161	1	Cap
9	576203	1	Staple
10	576137	1	Lever clutch release
11	576723	1	Clip
12	FTC3913	1	Push rod clutch
13	FRC9568	1	Bearing clutch
14	FRC2402	1	Backing plate
15	FS108251L	2	Screw
16	FTC3911	1	Slave cylinder clutch
17	606733	1	Screw bleed
18	594091	1	Cap

**Model** RANGE ROVER 1992 onwards  
**Page** BDCFEA1A

**GEARBOX - GEARCASE - MANUAL - R380**



III. Part No.	Description	Qty	Remarks
1	FTC3848 Gearcase	1	
2	FTC4131 Baffle breather	1	
3	FS106161ML Screw Baffle	2	
4	FTC4108 Plug detent centre plate	1	
5	FTC3382 Spring detent	2	
6	BLS112L Ball detent	2	
7	UKC170L Dowel	2	
8	FRC6145 Plug magnetic	1	
9	FTC4112 Washer copper	1	
10	FTC4056 Plug drain	1	
11	FRC9803 Core plug	1	
12	UKC30L Core plug	1	

**Selective Spacer Mainshaft In Centre Plate**

13	FTC3739	1.740/1.715	A/R
	FTC3741	1.790/1.765	A/R
	FTC3743	1.840/1.815	A/R
	FTC3745	1.890/1.865	A/R
	FTC3747	1.940/1.915	A/R
	FTC3749	1.990/1.965	A/R
	FTC3751	2.040/2.015	A/R
	FTC3753	2.090/2.065	A/R
	FTC3755	2.140/2.115	A/R
	FTC3757	2.190/2.165	A/R
	FTC3759	2.240/2.215	A/R
	FTC3761	2.290/2.265	A/R
	FTC3763	2.340/2.315	A/R
	FTC3765	2.390/2.365	A/R
	FTC3767	2.440/2.415	A/R

Model RANGE ROVER 1992 onwards

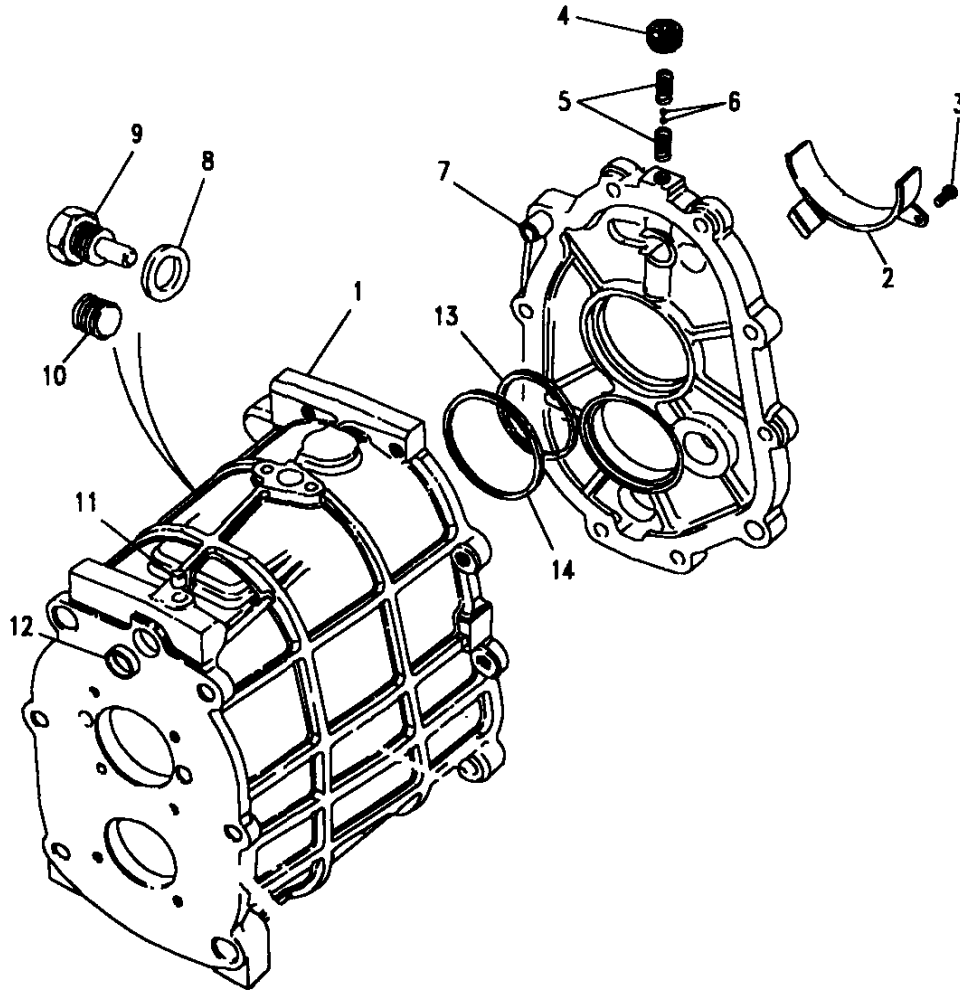
Page BDCFEA1A

GEARBOX - GEARCASE - MANUAL - R380

III. Part No.	Description	Qty	Remarks
FTC3769	2.490/2.465	A/R	
FTC3771	2.540/2.515	A/R	
FTC3773	2.590/2.565	A/R	
FTC3775	2.640/2.615	A/R	
FTC3777	2.690/2.665	A/R	
FTC3779	2.740/2.715	A/R	
FTC3781	2.790/2.765	A/R	
FTC3783	2.840/2.815	A/R	
FTC3785	2.890/2.865	A/R	
FTC3787	2.940/2.915	A/R	

Selective Spacer Layshaft in Centre Plate

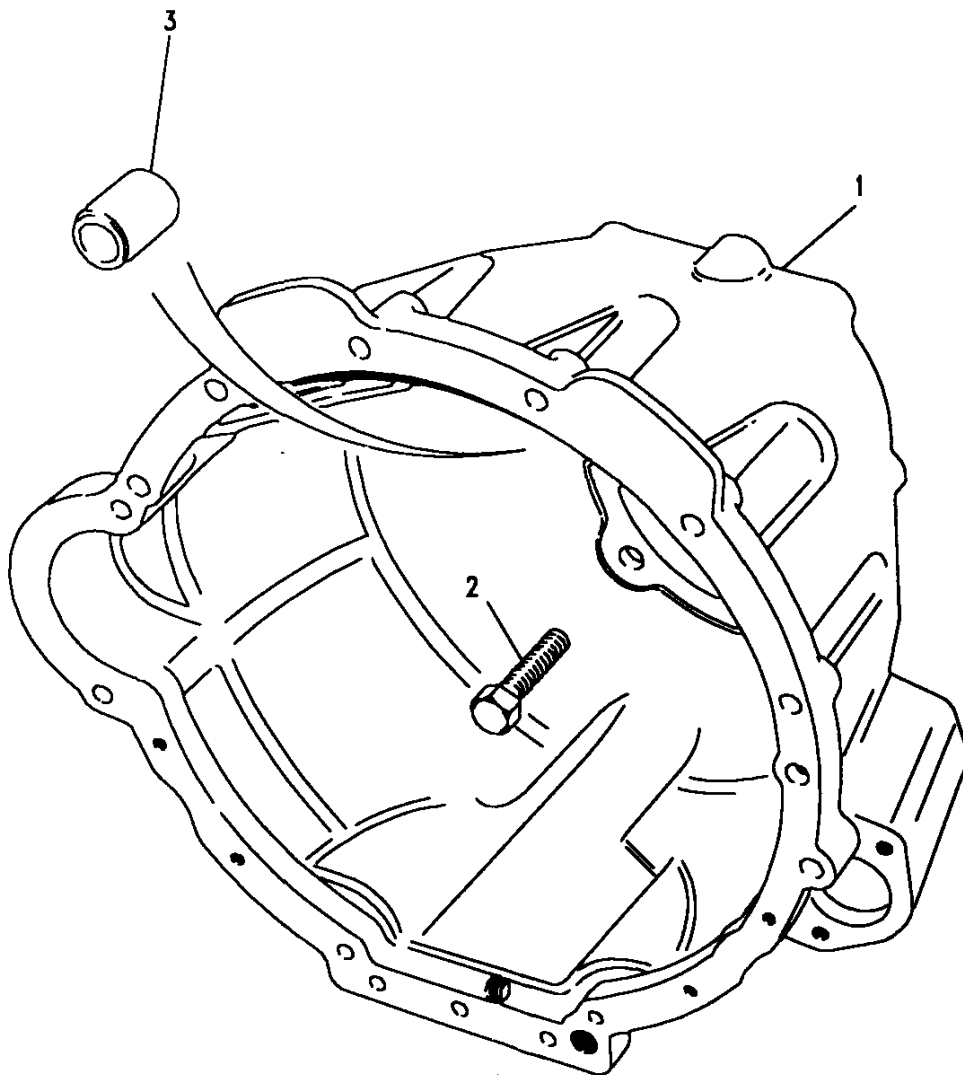
14	FTC4296	1.477/1.452	A/R
	FTC4298	1.527/1.502	A/R
	FTC4300	1.577/1.552	A/R
	FTC4302	1.627/1.602	A/R
	FTC4304	1.677/1.652	A/R
	FTC4306	1.727/1.702	A/R
	FTC4308	1.777/1.752	A/R
	FTC4310	1.827/1.802	A/R
	FTC4312	1.877/1.852	A/R
	FTC4314	1.927/1.902	A/R
	FTC4316	1.977/1.952	A/R
	FTC4318	2.027/2.002	A/R
	FTC4320	2.077/2.052	A/R
	FTC4322	2.127/2.102	A/R
	FTC4324	2.177/2.152	A/R
	FTC4326	2.227/2.202	A/R



**Model** RANGE ROVER 1992 onwards  
**Page** BDCFEA1B

**GEARBOX - BELL HOUSING - MANUAL - R380**

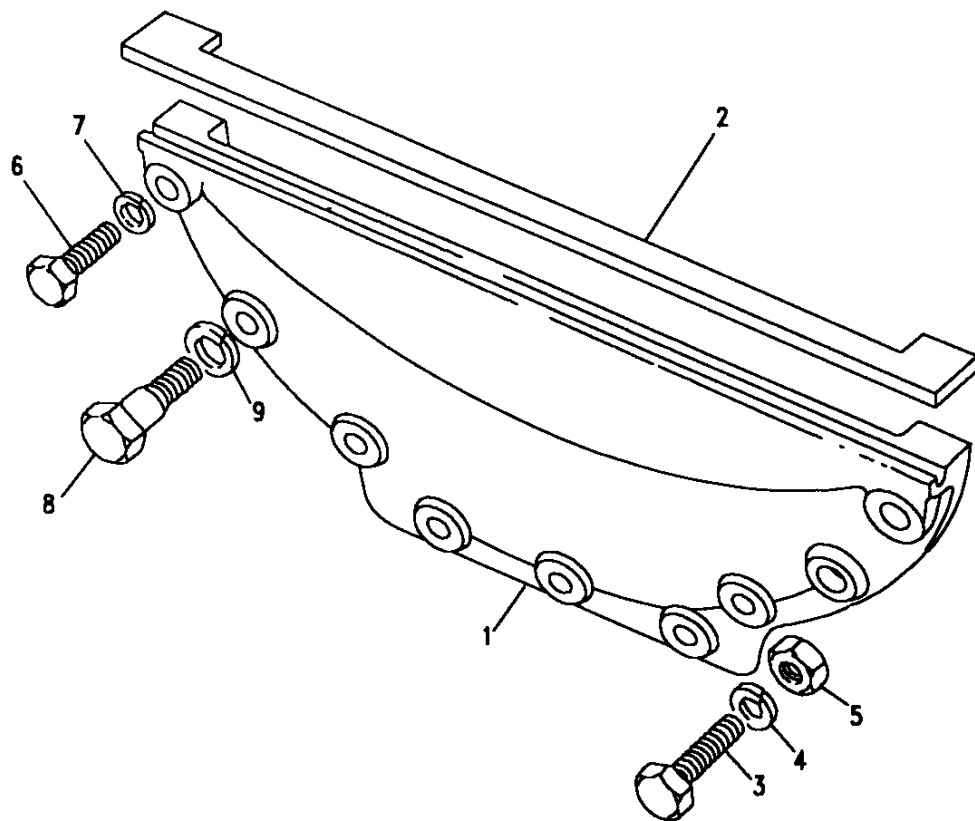
Ill. Part No.	Description	Qty	Remarks
1	FTC3921 Housing clutch	1	DIESEL
1	FTC3922 Housing clutch	1	PETROL
2	FS112401L Screw	6	
3	UKC25L Dowel	2	

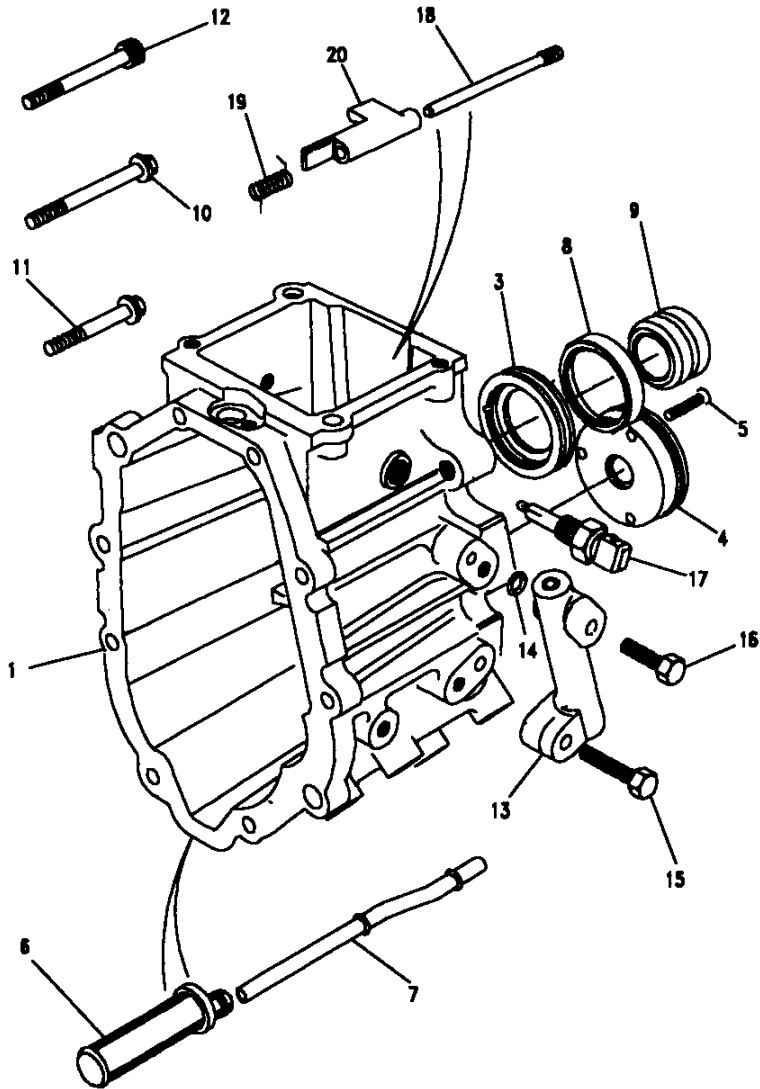


**Model** RANGE ROVER 1992 onwards  
**Page** BDCFEA2A

**GEARBOX - GEARCASE - MANUAL V8 - R380**

III. Part No.	Description	Qty	Remarks
1	FRC2859	1	Cover bottom
2	594087	1	Seal bottom cover
3	SH106351L	5	Bolt
4	WL106001L	5	Washer spring
5	FN106041	5	Nut
6	FS106255L	2	Bolt
7	WL106001L	2	Washer spring
8	594134	2	Bolt
9	WL108001L	2	Washer spring





**Model** RANGE ROVER 1992 onwards  
**Page** BDCFGA1A

**GEARBOX - EXTENSION CASE - MANUAL - R380**

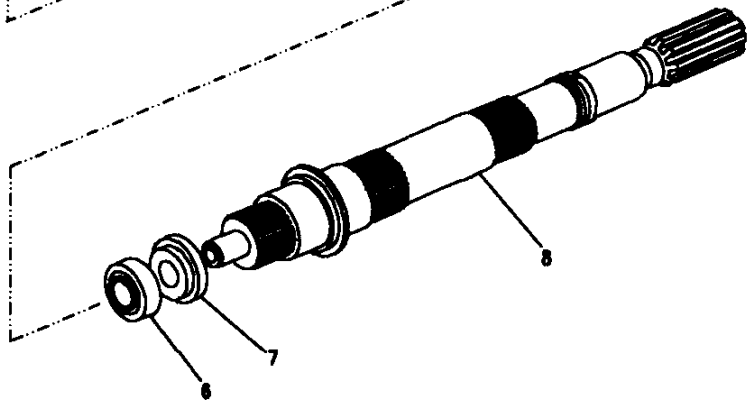
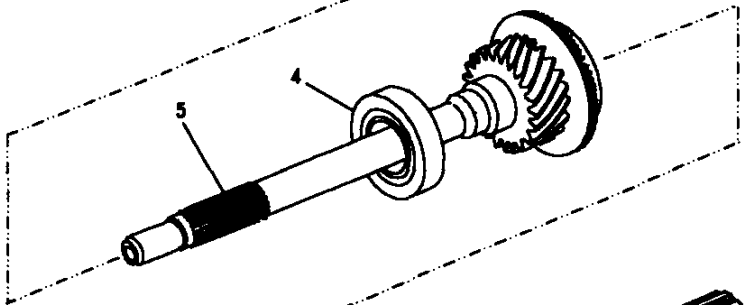
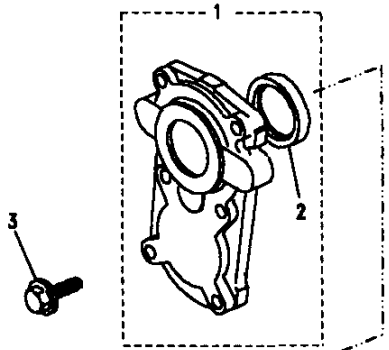
Ill. Part No.	Description	Qty	Remarks
1	FTC4241	1	Extension case assembly
2	LYQ100050	1	Plug blanking
3	FTC3701	1	Ring oil feed
4	FTC4206	1	Pump oil
5	FTC4449	3	Screw
6	FRC7855	1	Oil filter
7	FTC3387	1	Pipe oil inlet
8	FTC2383	1	Oil seal gearbox
9	FTC4021	1	Collar oil seal
10	FB108111L	6	Bolt
11	FB108171L	2	Bolt
12	SS108701S	2	Screw socket
13	FTC4053	1	Oil block extn case
14	FTC2687	1	Oil block extn case
15	FTC1441	2	O ring
16	FB108081L	2	Flange bolt
17	FB108081L	1	Flange bolt
18	FS108301L	2	Bolt
19	CDU51	1	Switch reverse light
20	232042	1	Washer joint
21	AMR3859	1	Cable rev light switch
	FTC3711	1	Shaft inhibition
	FTC4483	1	Spring torsion
	FTC3713	1	Cam inhibition
	FRC9430	1	Breather assembly



Model RANGE ROVER 1992 onwards  
Page BDCFIA1A

GEARBOX - MAINSHAFT - MANUAL - R380

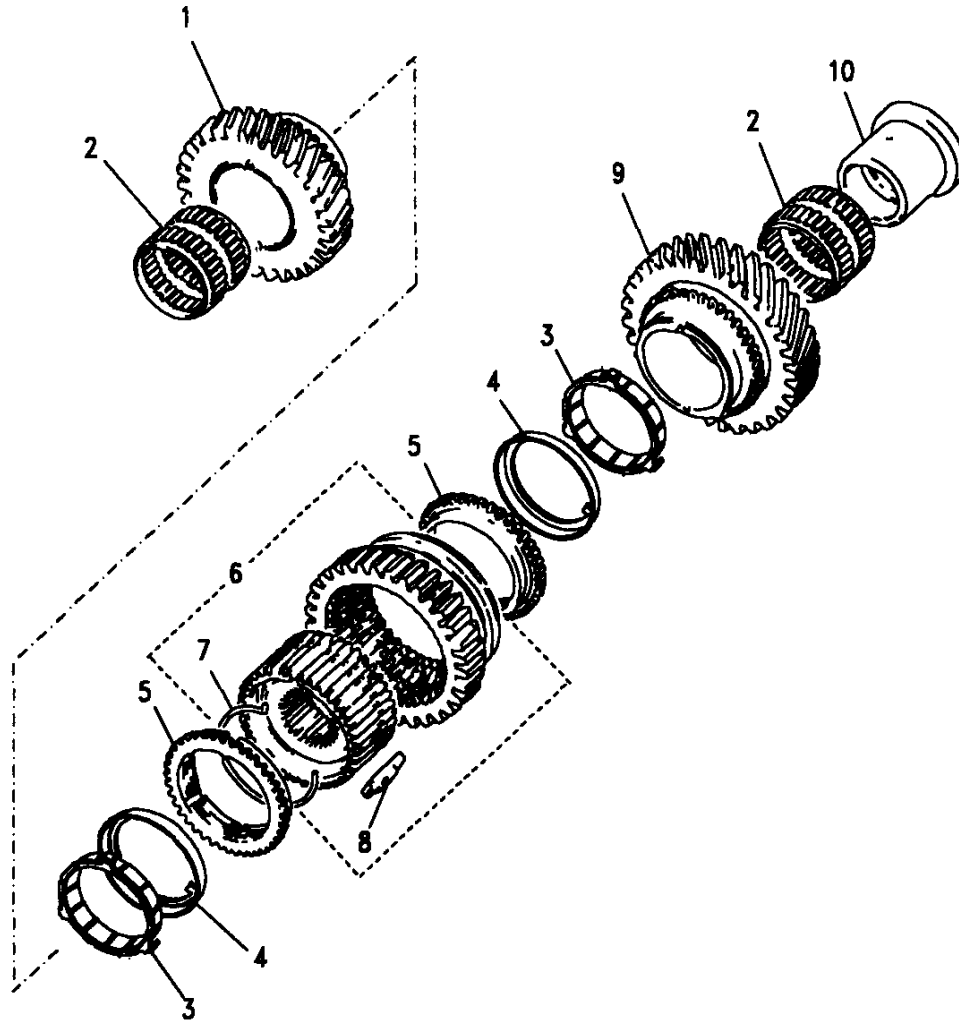
III. Part No.	Description	Qty	Remarks
1	FTC3696	1	Cover front assembly
2	UKC1060L	1	Oil seal
3	FS108251ML	6	Screw
4	STC1628	1	Bearing
5	FTC3928	1	Shaft pinion PETROL
	FTC3927	1	Shaft pinion DIESEL
6	UKC8L	1	Bearing
7	FTC2737	1	Spacer
8	FTC3703	1	Mainshaft



**Model** RANGE ROVER 1992 onwards  
**Page** BDCFIC1A

**GEARBOX-MAINSHAFT GEARS-MANUAL-R380**

Ill. Part No.	Description	Qty	Remarks
<b>1st and 2nd gears</b>			
1	FTC2714 Gear 2nd speed	1	
2	FTC1311 Bearing	2	
3	FTC2397 Ring synchro inner	2	
4	FTC2396 Ring synchro middle	2	
5	FTC3584 Ring baulk gearbox	2	
6	FTC2733 Synchro assembly	1	
7	FTC4172 Spring synchro	2	
8	FTC4171 Plate shifting synchro	3	
9	FTC2948 Gear 1st speed DIESEL	1	
	FTC2716 Gear 1st speed PETROL	1	
10	FTC2005 Bush	1	

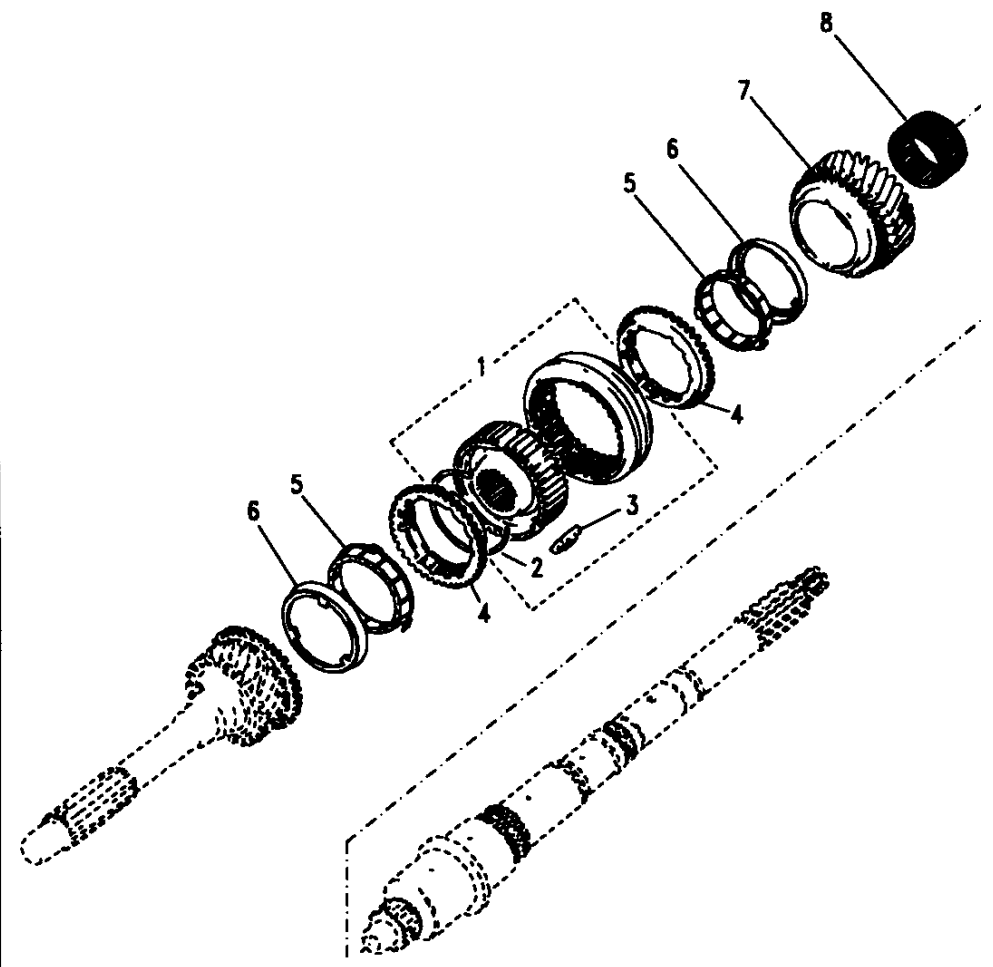




**Model** RANGE ROVER 1992 onwards  
**Page** BDCFIC2A

**GEARBOX-MAINSHAFT GEARS-MANUAL-R380**

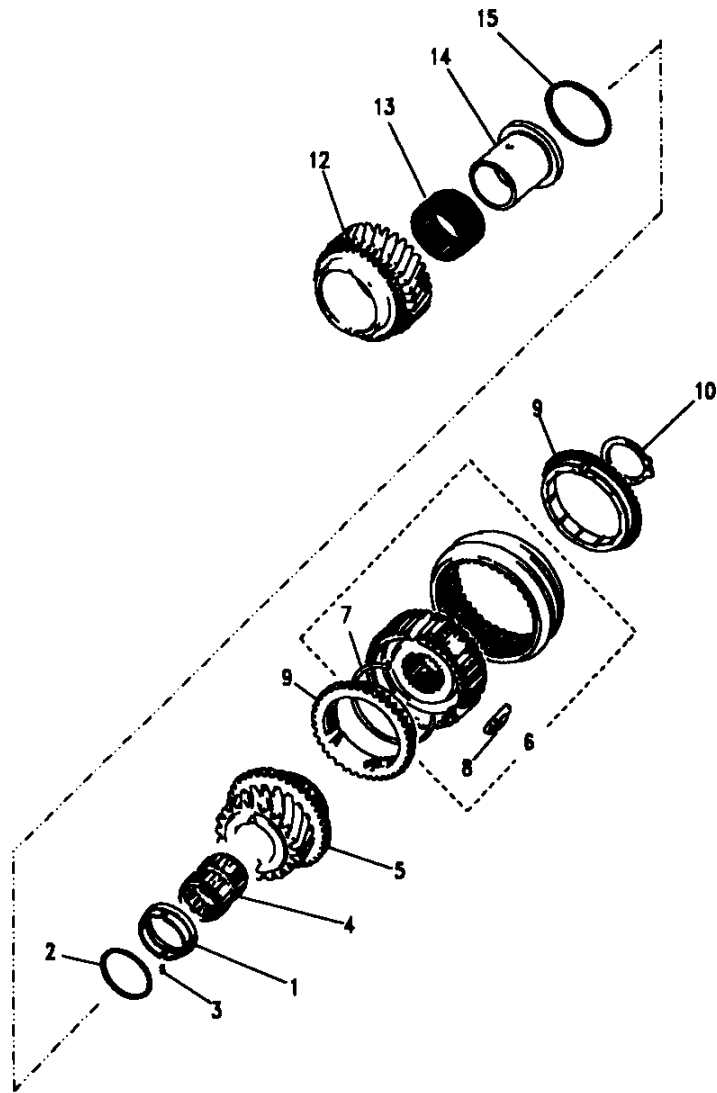
III. Part No.	Description	Qty	Remarks
<b>3rd and 4th gears</b>			
1	FTC2887	1	Synchro assembly
2	FTC4172	2	Spring synchro
3	FTC4171	3	Plate shifting synchro
4	FTC3584	2	Ring baulk gearbox
5	FTC2396	2	Ring synchro middle
6	FTC2397	2	Ring synchro inner
7	FTC2712	1	Gear 3rd speed
8	FTC1311	1	Bearing



**Model** RANGE ROVER 1992 onwards

**Page** BDCFIC3A

**GEARBOX-MAINSHAFT GEARS-MANUAL-R380**

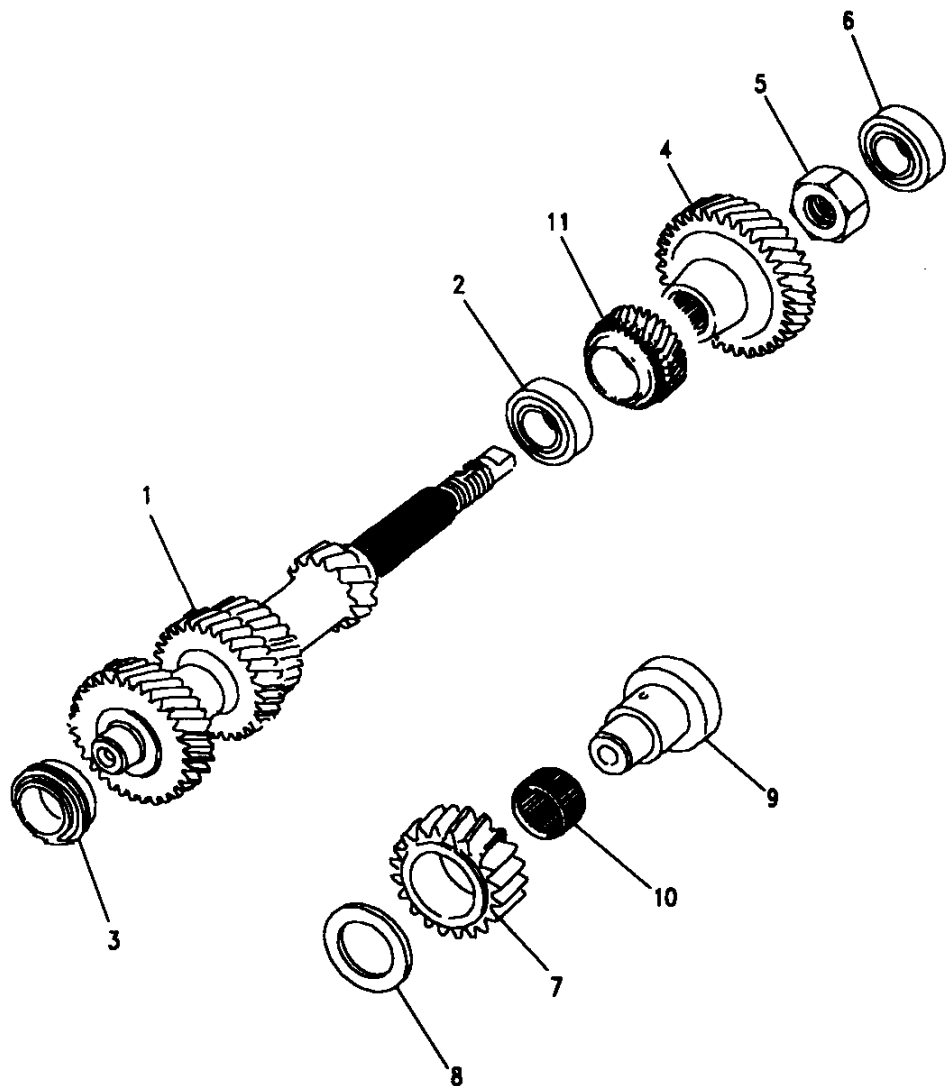


III. Part No.	Description	Qty	Remarks
<b>5th gear</b>			
1	FTC3699	1	Washer thrust
2	FTC4524	1	Ring retaining
3	PA108101L	1	Spring pin
4	FRC5280	1	Bearing needle
5	FTC2946	1	Gear 5th speed DIESEL
6	FTC2720	1	Gear 5th speed PETROL
7	FTC2727	1	Synchro assembly
8	FTC4245	2	Spring synchro
9	FTC4171	3	Plate shifting
10	FTC2731	2	Ring baulk gearbox
11	FTC3697	1	Circlip
	FTC3371	1	Bearing
<b>Reverse gear</b>			
12	FTC4242	1	Gear reverse
13	FTC1311	1	Bearing roller
14	FTC2005	1	Bush
<b>Selective spacer - Reverse bush</b>			
15	FTC3951	2.475/2.450	A/R
	FTC3953	2.425/2.400	A/R
	FTC3955	2.375/2.350	A/R
	FTC3957	2.325/2.300	A/R
	FTC3959	2.275/2.250	A/R
	FTC3961	2.225/2.200	A/R
	FTC3963	2.175/2.150	A/R
	FTC3965	2.125/2.100	A/R
	FTC3967	2.075/2.050	A/R
	FTC3969	2.025/2.000	A/R

**Model** RANGE ROVER 1992 onwards  
**Page** BDCFIE1A

**GEARBOX - LAYSHAFT - MANUAL - R380**

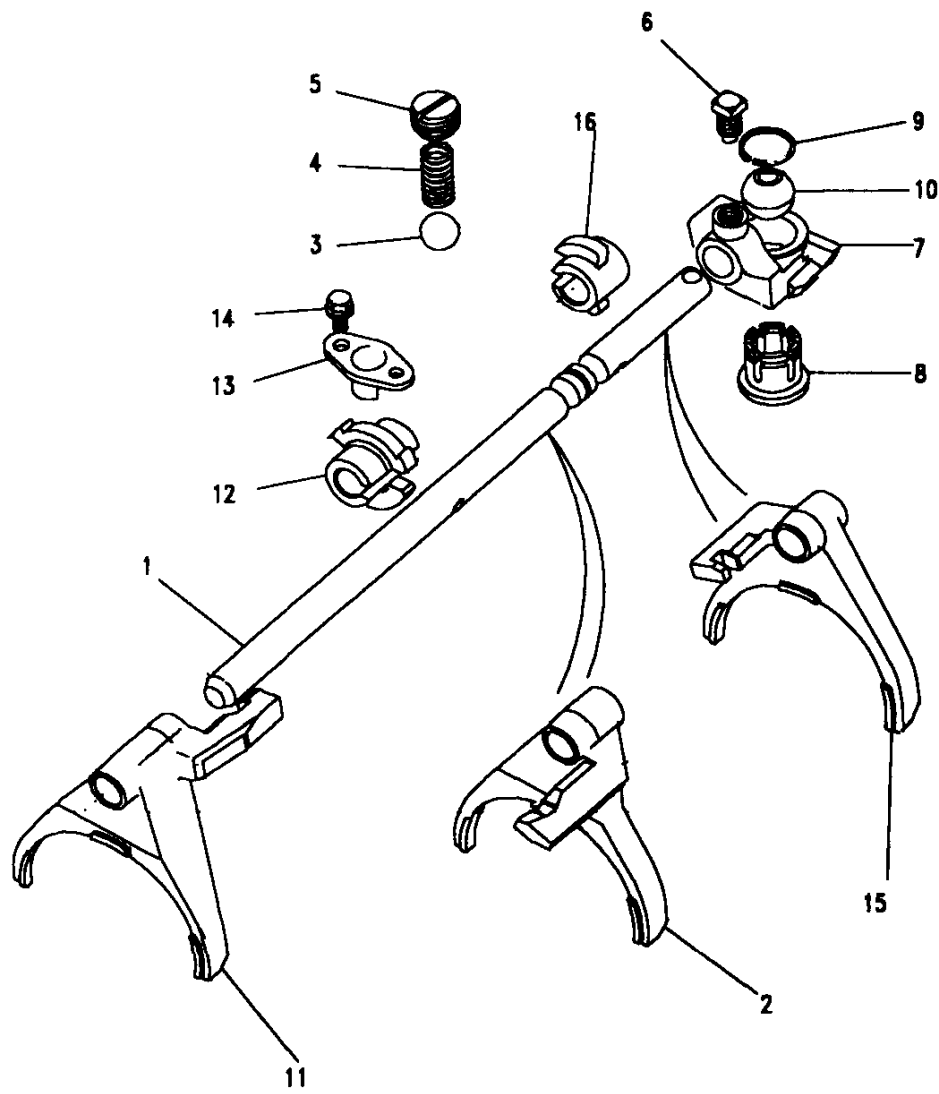
III. Part No.	Description	Qty	Remarks
1	FTC2941	1	Diesel
	FTC2723	1	Petrol
2	FTC317	1	
3	FTC248	1	
4	FTC2945	1	
	FTC2724	1	
5	EJP7738	1	
6	FTC2385	1	
7	FTC2725	1	
8	FTC3847	1	
9	FTC3850	1	
10	FTC2582	1	
11	FTC3391	1	



**Model** RANGE ROVER 1992 onwards  
**Page** BDCFK1A

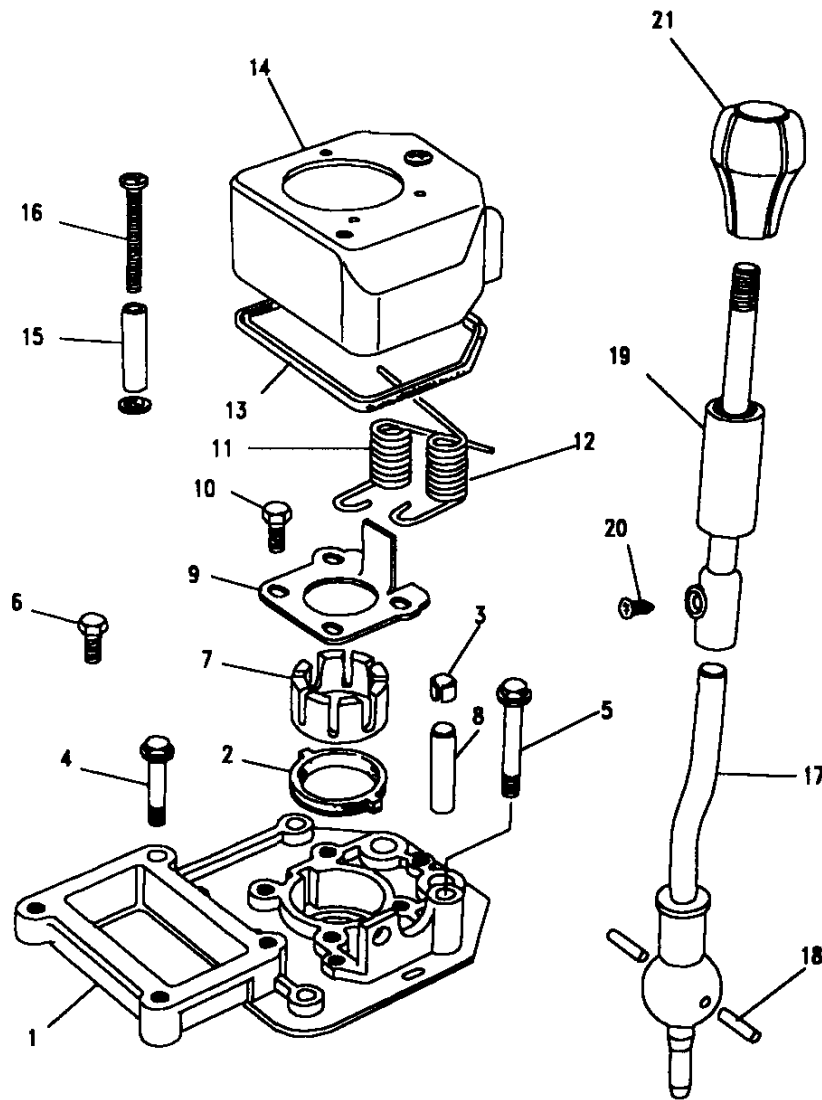
**GEARBOX - SELECTORS & SHAFT - MANUAL - R380**

Ill. Part No.	Description	Qty	Remarks
1	FTC3381 Shaft selector	1	
2	FTC3581 Fork selector 1st & 2nd	1	
	FRC8127 Pin locking	1	
3	BLS112L Ball detent 3/8	2	
4	FTC3382 Spring detent	2	
5	FTC2193 Plug detent	1	
6	FTC4536 Screw grub	1	
7	FTC3715 Yoke assembly	1	
	FTC3845 Pin	1	
8	FTC2203 Bush spherical	1	
9	FTC4458 Ring snap	1	
10	FTC4249 Ball end	1	
11	FTC3582 Fork selector 3rd & 4th	1	
	FRC8127 Pin locking	1	
12	FTC3370 Spool interlock	1	
13	FRC8239 Retainer	1	
14	SH106161M Screw	2	
15	FTC3583 Fork selector 5th	1	
	FTC2885 Spool interlock 5th	1	

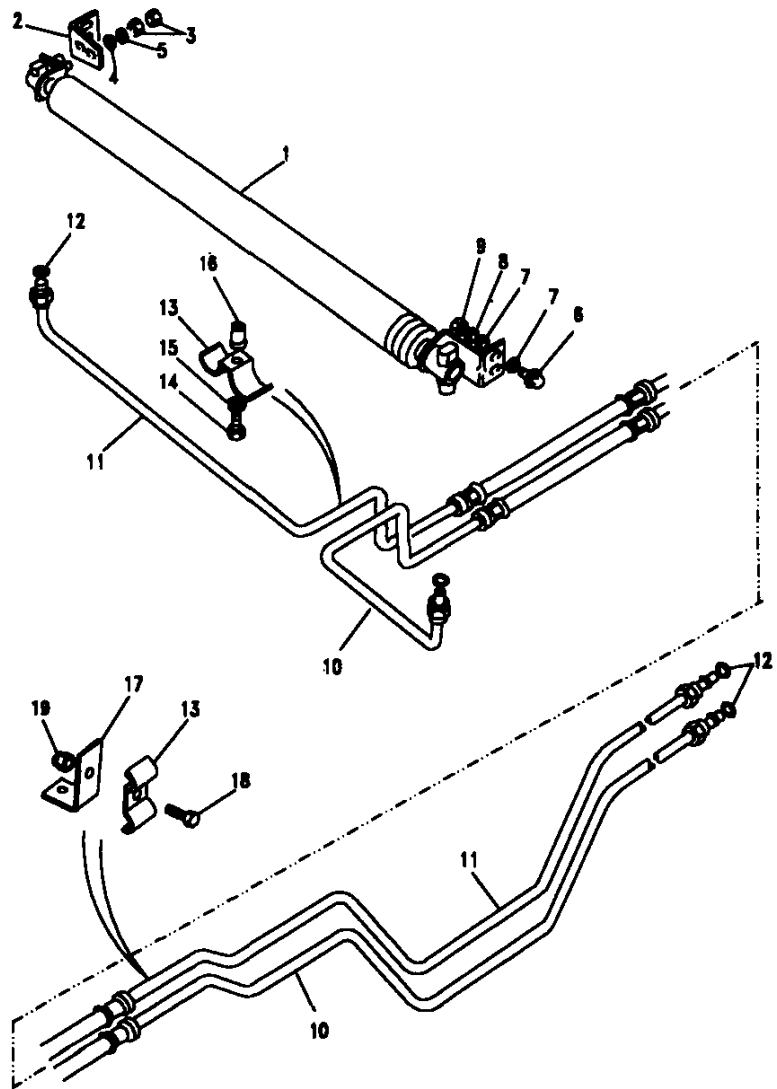


**Model** RANGE ROVER 1992 onwards  
**Page** BDCFKC1A

**GEARBOX - GEARSHIFT - MANUAL - R380**



III. Part No.	Description	Qty	Remarks
1	FTC4122	1	Housing assy
2	FTC2199	1	Oil seal gearbox
3	FRC2626	2	Pin spring
4	FB108111L	1	Bolt flanged
5	FB108121L	1	Bolt flanged
6	FS108351L	2	Screw
7	FRC9985	1	Bush spherical
8	FRC9028	2	Pin torsion spring
9	FRC9340	1	Plate bias adjusting
10	LYG10040L	4	Bolt fixing plate
11	FTC4123	1	Spring bias 1st/2nd
12	FTC4124	1	Spring bias 5th
13	FRC8507	1	Seal
14	FTC4125	1	Cover assembly gearchange
15	FRC8520	2	Spacer cover
16	SE106551S	2	Screw
17	FTC3807	1	Gearlever lower
18	UKC3092	1	Pin
19	FTC4537	1	Gearlever upper
20	ANU1269L	1	Screw
21	BTR9349	1	Knob



**Model** RANGE ROVER 1992 onwards  
**Page** BDCFOA1A

**GEARBOX - OIL COOLER V8 - MANUAL - FROM MA647645**

Ill. Part No.	Description	Qty	Remarks
<b>Oil cooler &amp; mounting bracket - manual gearbox</b>			
1	ESR1703 Oil cooler	1	
2	NTC1868 Mounting bracket	1	
<b>Fixings - oil cooler to bracket</b>			
3	NH106041L Nut	2	
4	WA106041L Washer plain	2	
5	WL106001L Washer spring	2	
<b>Fixings - oil cooler assembly to panel</b>			
6	FS106161 Screw flanged	4	
7	WA106041L Washer plain	8	
8	WL106001L Washer spring	4	
9	NH106041L Nut	4	
<b>Oil cooler pipes</b>			
10	ESR2808 Pipe assy trans to o/c	1	
11	ESR2809 Pipe assy o/c to trans	1	
12	ESR1594 O Ring	4	
<b>Fixings - oil cooler pipes</b>			
13	ESR2806 Saddle clamp	2	
14	SH106351L Screw	1	
15	WL106001L Washer spring	1	
16	NN106021 Nutsert	1	
17	NTC5754 Bracket mounting	1	
18	FS106161 Screw flanged	1	
19	NY106041 Nut nyloc	1	

**MASTER INDEX**

	PAGES
INTRODUCTION PAGES	1 - 3
ALPHABETICAL INDEX	4 - 9
ENGINE	10 - 50
ENGINE	51 - 88
ENGINE	89 - 133
ENGINE	134 - 172
GEARBOX	173 - 194
GEARBOX	195 - 211
GEARBOX	212 - 238
TRANSFER BOX	239 - 252
AXLES AND SUSPENSION	253 - 313
STEERING	314 - 332
VEHICLE AND ENGINE CONTROLS	333 - 343
BRAKES	344 - 374
FUEL SYSTEM AND AIR CLEANER	375 - 401
EXHAUST SYSTEM	402 - 409
COOLING/HEATING	410 - 458
BODY ELECTRICAL	457 - 574
BODY AND CHASSIS	575 - 681
INTERIOR TRIM	682 - 772
SEATS	773 - 843
SEATS	844 - 862
STOWAGE	863 - 865
ACCESSORIES - PAINTS	866 - 893
NUMERICAL INDEX	895 - 958

GROUP C

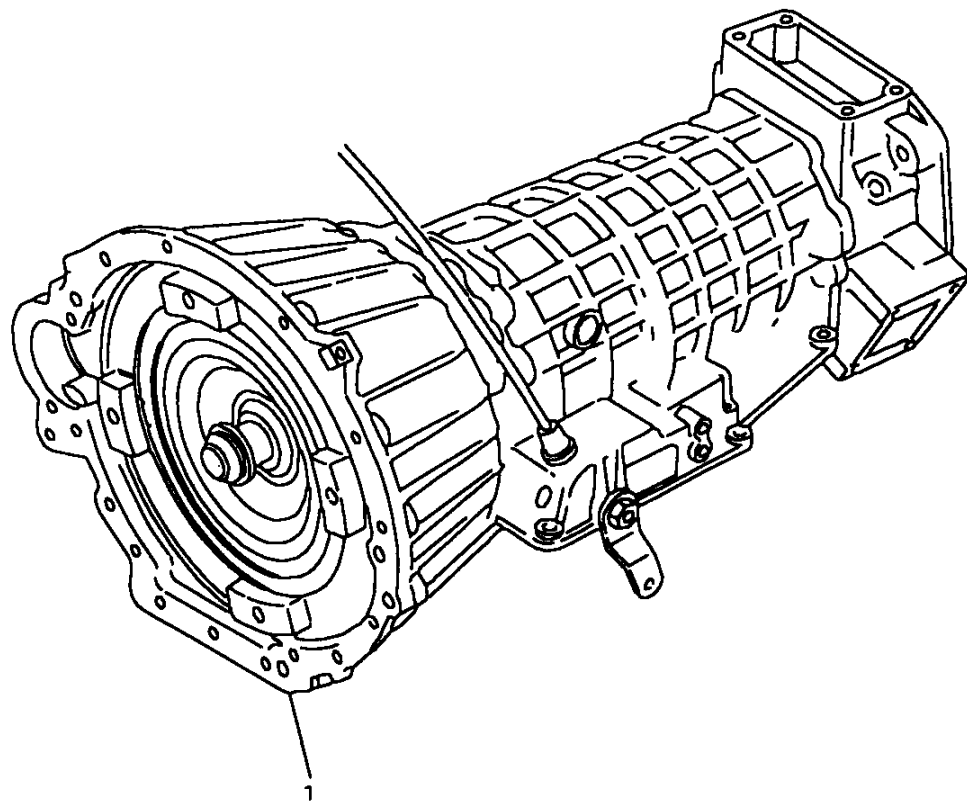
GEARBOX

GEARBOX

GEARBOX ASSEMBLY - ZF AUTOMATIC	213
ADAPTOR PLATE - ZF AUTOMATIC	214
TORQUE CONVERTER - ZF AUTOMATIC	215
CASING & SUMP - ZF AUTOMATIC	216 - 217
OIL PUMP - ZF AUTOMATIC	218
CLUTCH - ZF AUTOMATIC	219 - 221
BRAKE - ZF AUTOMATIC	222 - 224
WEBB SHAFT & 4TH GEAR - ZF AUTOMATIC	225 - 226
GOVERNOR EXTENSION HOUSING - ZF AUTOMATIC	227
GEARCHANGE - ZF AUTOMATIC	228 - 229
SHIFT INTERLOCK - ZF AUTOMATIC	230 - 231
SERVICE KITS - ZF AUTOMATIC	232
OIL COOLER - AUTOMATIC - UP TO LA647644	233 - 234
OIL COOLER V8 - AUTOMATIC - FROM MA647645	235 - 236
OIL COOLER 300TDI - AUTOMATIC - FROM MA647645	237 - 238

**Model** RANGE ROVER 1992 onwards  
**Page** BDCPAA1A

**GEARBOX - GEARBOX ASSEMBLY - ZF AUTOMATIC**



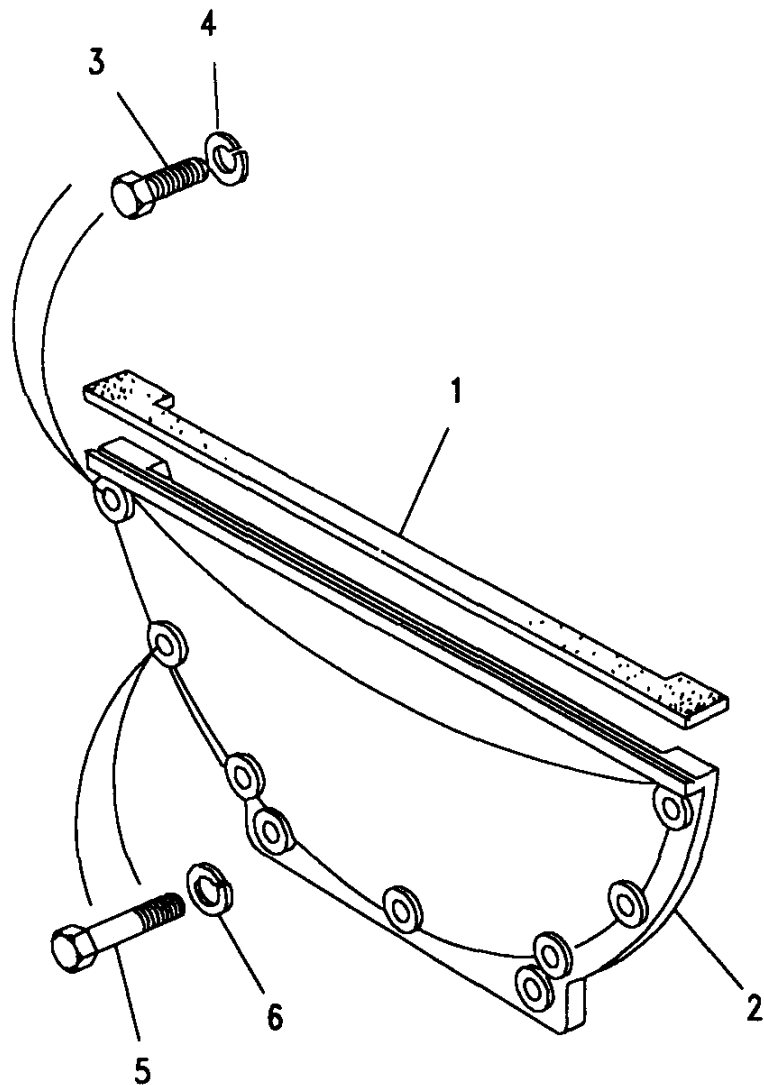
III. Part No.	Description	Qty	Remarks
1 FTC3099	Gearbox assembly	1	V8 3.9
FTC2871	Gearbox assembly	1	V8 4.2
FTC2756	Gearbox automatic	1	TDI
FTC3099R	Gearbox assembly reman	1	V8 3.9
FTC2871R	Gearbox assembly reman	1	V8 4.2
FTC2756R	Gearbox assembly reman	1	TDI



**Model** RANGE ROVER 1992 onwards  
**Page** BDCPEA1A

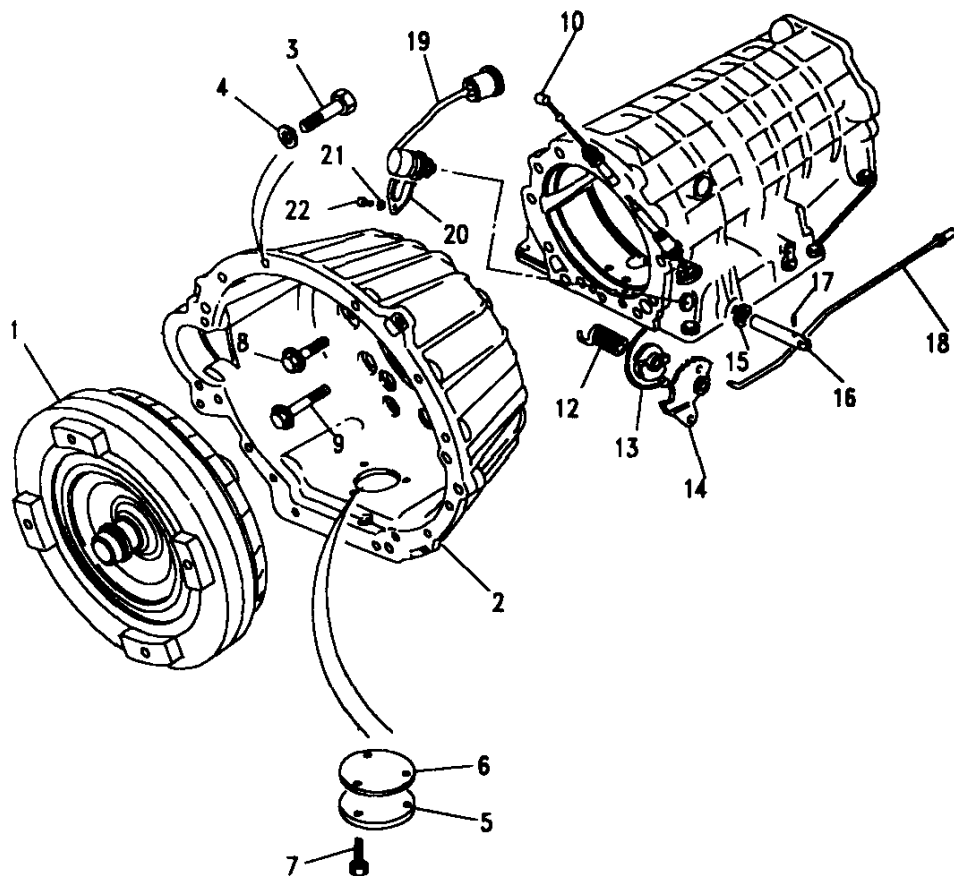
**GEARBOX - ADAPTOR PLATE - ZF AUTOMATIC**

III. Part No.	Description	Qty	Remarks
1 594087	Seal	1	
2 FRC2859	Cover bottom	1	
3 SH106251L	Screw-M6x25mm	7	
4 WM106001L	Washer spring	7	
5 594134	Bolt	2	
6 WM108001L	Washer spring	2	



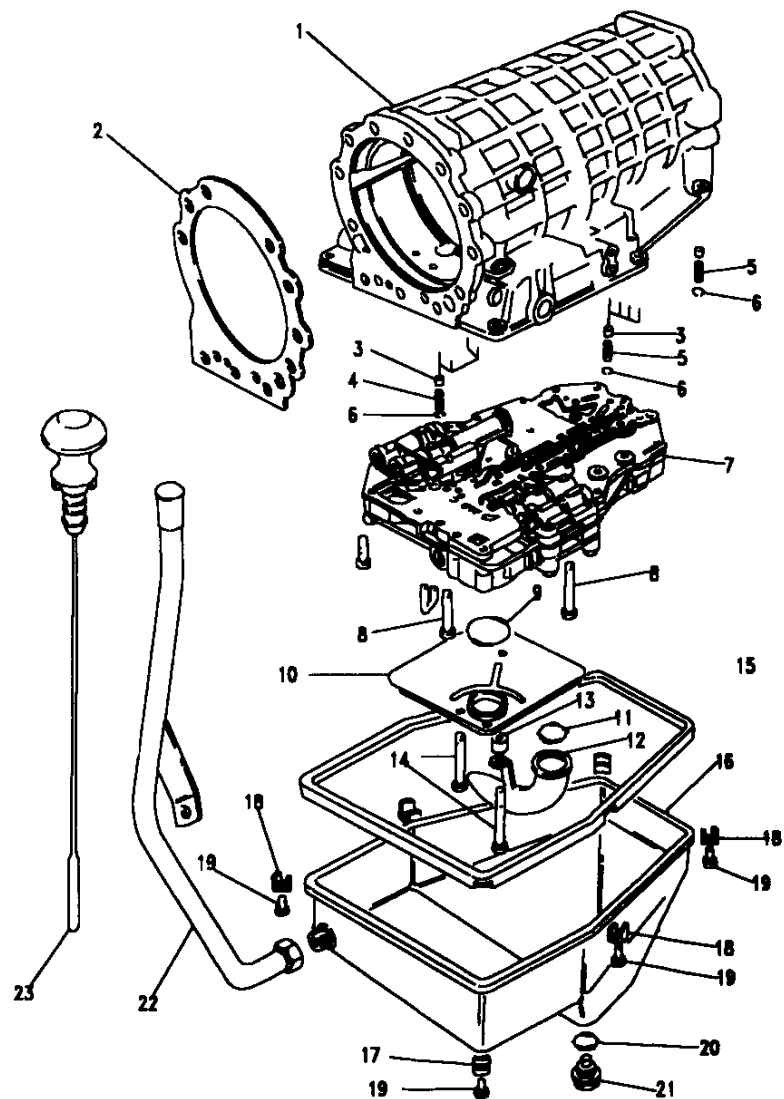
**Model** RANGE ROVER 1992 onwards  
**Page** BDCPEA2A

**GEARBOX - TORQUE CONVERTER - ZF AUTOMATIC**



III. Part No.	Description	Qty	Remarks
1	FRC5981 Torque Converter	1	
2	RTC6594 Converter Housing	1	
3	BH506181L Bolt 3/8"UNCx2"	8	
4	WL800061L Washer spring	8	
5	FRC7706 Plate cover	1	
6	FRC7707 Gasket-cover plate	1	
7	SH106151L Screw M6x15mm	3	
8	FB110301L Screw M10x30mm	6	
9	FB110141L Flange bolt	12	
10	RTC4854 Cable kickdown	1	
11	RTC4648 O ring	1	
12	RTC4288 Spring	1	
13	RTC4658 Cam	1	
14	RTC4286 Plate detent	1	
15	RTC4289 Seal-shaft	1	
16	RTC4285 Selector shaft	1	
17	RTC4290 Pin roll	1	
18	RTC4291 Rod connecting	1	
19	RTC4937 Switch-inhibit/reverse Light	1	
	RTC5203 Plate detent	1	
20	RTC4644 Plate retaining	1	
21	RTC4643 Washer spring	1	
22	RTC4645 Screw	1	

rough



**Model** RANGE ROVER 1992 onwards  
**Page** BDCPEA3A

**GEARBOX - CASING & SUMP - ZF AUTOMATIC**

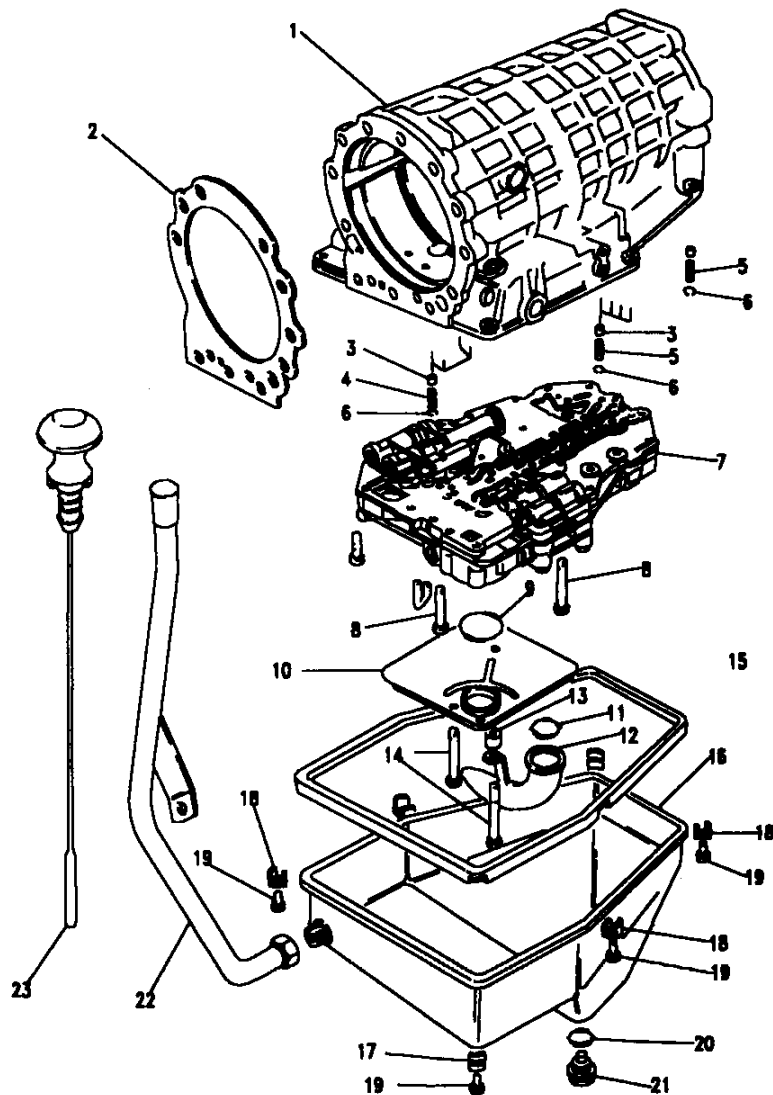
III. Part No.	Description	Qty	Remarks
1	Casing gearbox	1	NSS
2	RTC4320 Gasket-Case/Housing	1	Note(1)
3	RTC4280 RTC5209 Sealing sleeve	8	
4	RTC4281 Sealing sleeve	1	
5	RTC4282 Compression spring-short	4	
6	RTC4657 Compression spring-long	5	
7	STC930 STC907 Ring retaining	9	
8	RTC4649 RTC4278 RTC4277 RTC4279 Control unit-3.9	1	
9	Control unit-4.2	1	
10	RTC4276 Screw-unit/case	1	
11	Screw	4	
12	Screw	3	
13	Screw	8	
14	RTC4276 O ring	1	Note(1)
15	RTC4653 Screen oil	1	
16	RTC5818 O ring	1	
17	RTC4655 Pipe suction	1	
18	RTC4656 Sleeve	1	
19	RTC4278 Screw-oil screen	2	
20	RTC4649 Screw-oil screen	1	
21	RTC4268 Gasket-sump/case	1	Note(1)
22	RTC4652 Sump	1	

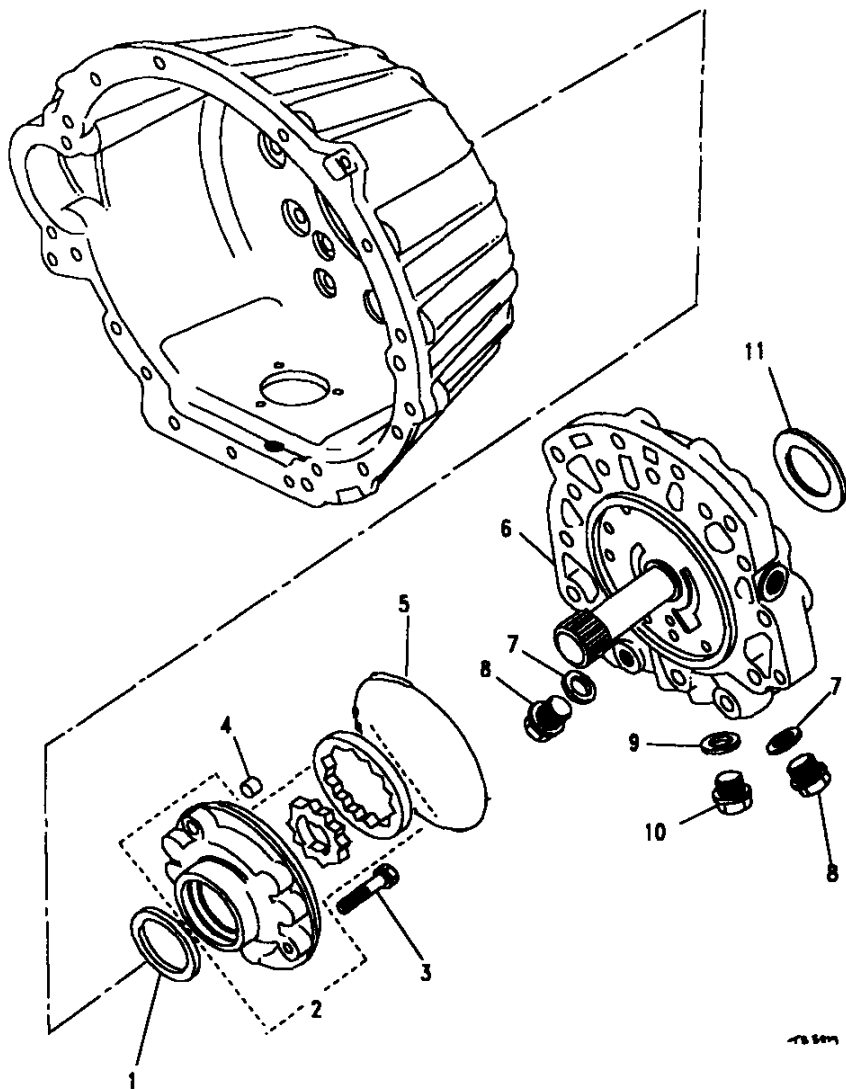
Note(1) Part of gasket and seals kit RTC5100

**Model** RANGE ROVER 1992 onwards  
**Page** BDCPEA3A

**GEARBOX - CASING & SUMP - ZF AUTOMATIC**

III. Part No.	Description	Qty	Remarks
17 RTC5733	Plate corner fixing	4	
18 RTC5734	Plate straight fixing	2	
19 RTC5735	Screw hexagonal	6	
20 STC1060	Washer sealing-drain plug	1	
21 RTC4647	Plug drain	1	
22 FTC1358	Tube dipstick	1	
23 SFR23	Dipstick 620mm	1	
FTC1357	Dipstick 689mm	1	
FTC2069	Dipstick	1	TDI



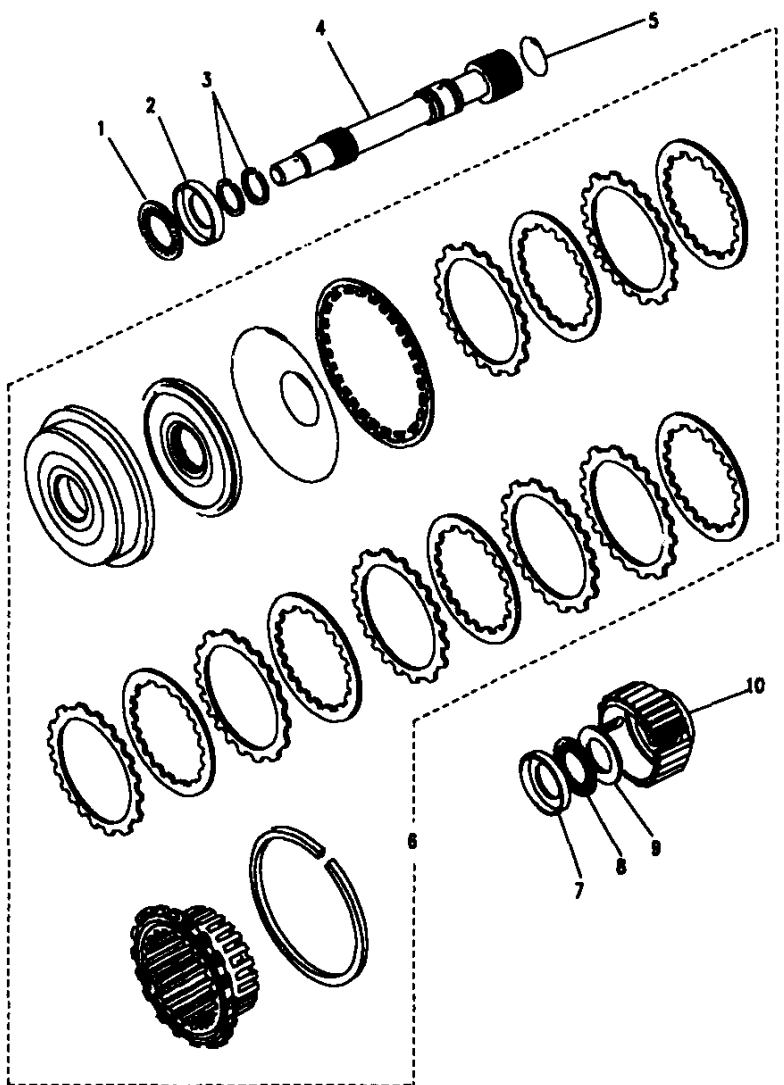


**Model** RANGE ROVER 1992 onwards  
**Page** BDCPGA1A

**GEARBOX - OIL PUMP - ZF AUTOMATIC**

III. Part No.	Description	Qty	Remarks
1	RTC5102 Seal shaft	1	Note(1)
2	STC224 Pump oil assembly	1	
3	RTC5105 Screw M6 x 28mm	8	
4	RTC5106 Dowel pin	1	
5	RTC5103 O ring	1	Note(1)
6	RTC5107 Plate intermediate	1	
7	RTC4339 Ring sealing	2	Note(1)
8	RTC4335 Plug screw	2	
9	RTC4338 Ring sealing	1	Note(1)
10	RTC4336 Screw plug	1	
11	Shim		
	RTC5108 2.8mm	A/R	
	RTC5109 2.6mm	A/R	
	RTC5110 2.4mm	A/R	
	RTC5111 2.2mm	A/R	
	RTC5112 2.0mm	A/R	
	RTC5113 1.8mm	A/R	
	RTC5114 1.6mm	A/R	
	RTC5115 1.4mm	A/R	
	RTC5116 1.2mm	A/R	
	RTC5117 1.0mm	A/R	

Note(1) Part of gasket kit RTC5100



**Model** RANGE ROVER 1992 onwards  
**Page** BDCPGE1B

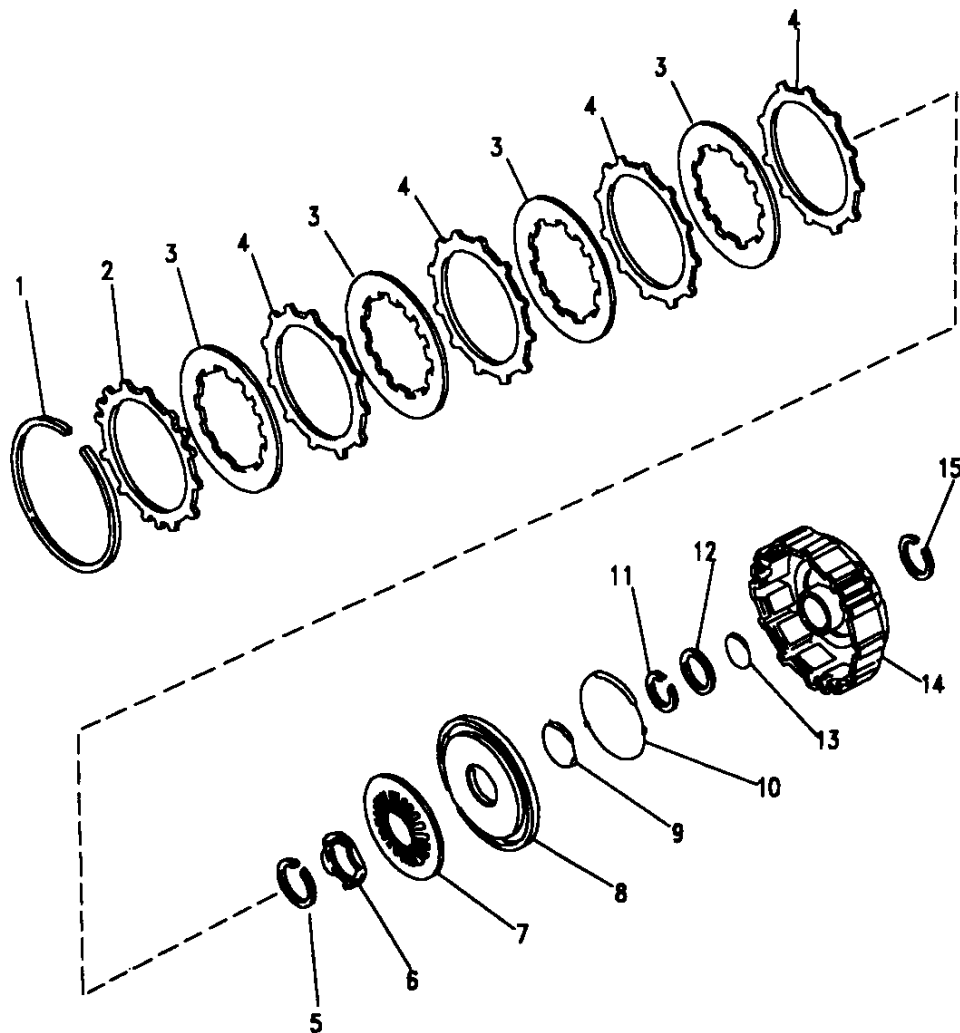
**GEARBOX - CLUTCH - ZF AUTOMATIC**

Ill. Part No.	Description	Qty	Remarks
<b>CLUTCH'A'</b>			
1	Cage needle axial	1	Note(1)
2 RTC5143	Disc angle	1	
3	Ring	2	Note(1)
4 RTC5141	Shaft input	1	
5	O ring	1	Note(1)
6 RTC5142	Kit-coupling	1	
7	Washer axial	1	Note(1)
8	Cage needle axial	1	Note(1)
9	Washer axial	1	Note(1)
10 RTC5144	Disc carrier	1	

Note(1) Part of kit RTC5101 not supplied separately

**Model** RANGE ROVER 1992 onwards  
**Page** BDCPGE2A

**GEARBOX - CLUTCH - ZF AUTOMATIC**



III. Part No.	Description	Qty	Remarks
<b>CLUTCH'B'</b>			
1 RTC5124	Ring snap	1	
2 RTC5123	Disc end-3.9	1	
STC998	Disc end-4.2	1	
3 RTC5122	Disc lined clutch-3.9	4	
4 RTC5121	Disc clutch-3.9	4	
3 RTC5122	Disc lined clutch-4.2	5	
4 RTC5126	Disc clutch-4.2	5	
5 RTC5148	Ring snap	1	
6	Washer locking	1	Note(1)
7 RTC5147	Spring disc	1	
8 RTC5146	Piston	1	
9	O ring	1	Note(2)
10	O ring	1	Note(2)
11	Ring snap	1	Note(1)
12 RTC5149	Ring support	1	
13	O ring	1	Note(2)
14 RTC5145	Cylinder-3.9	1	
STC999	Cylinder-4.2	1	
15	Piston ring	1	Note(1)
16 STC1107	Plate spring-4.2	1	

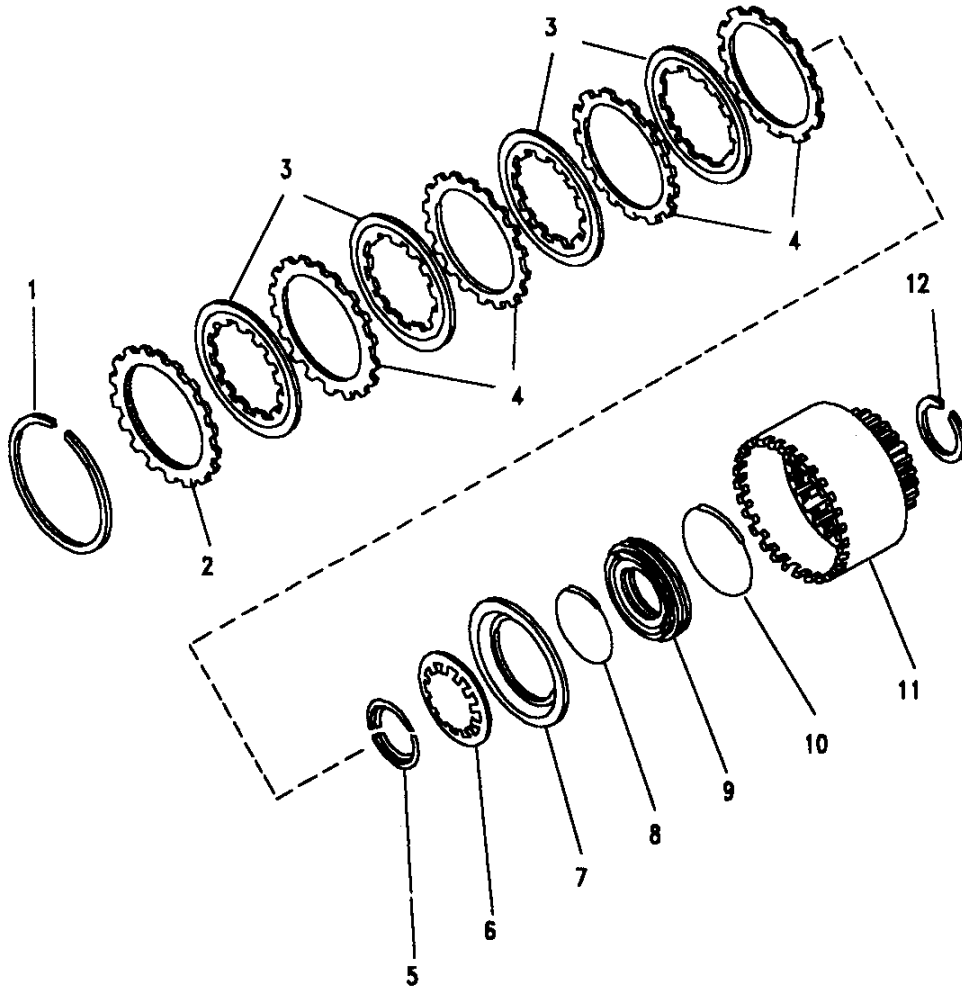
Note(1) Part of kit RTC5101 not supplied separately  
 Note(2) Part of kit RTC5100 not supplied separately

**Model** RANGE ROVER 1992 onwards  
**Page** BDCPGE3B

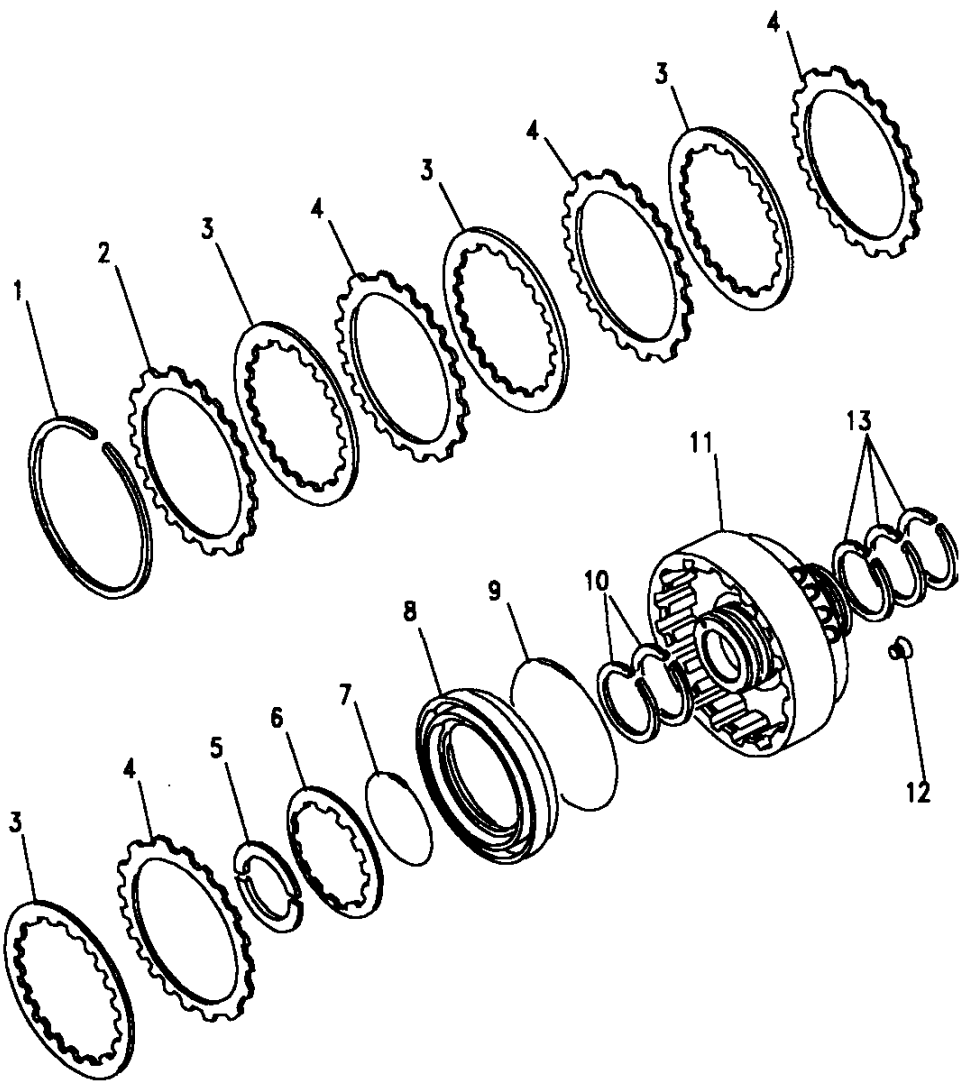
**GEARBOX - CLUTCH - ZF AUTOMATIC**

III. Part No.	Description	Qty	Remarks
<b>CLUTCH'E'</b>			
1 RTC5137	Ring snap	1	
2 RTC5139	Disc end	1	
3 RTC5135	Disc lined clutch	4	
4 RTC5138	Disc outer clutch	4	
5	Ring stop	1	Note(1)
6 RTC5164	Disc spring	1	
7 RTC5163	Plate pressure	1	
8	O ring	1	Note(2)
9 RTC5162	Piston	1	
10	O Ring	1	Note(2)
11 RTC5161	Cylinder	1	
12 RTC5171	Ring snap	1	

Note(1) Part of kit RTC5101 not supplied separately  
 Note(2) Part of kit RTC5100 not supplied separately





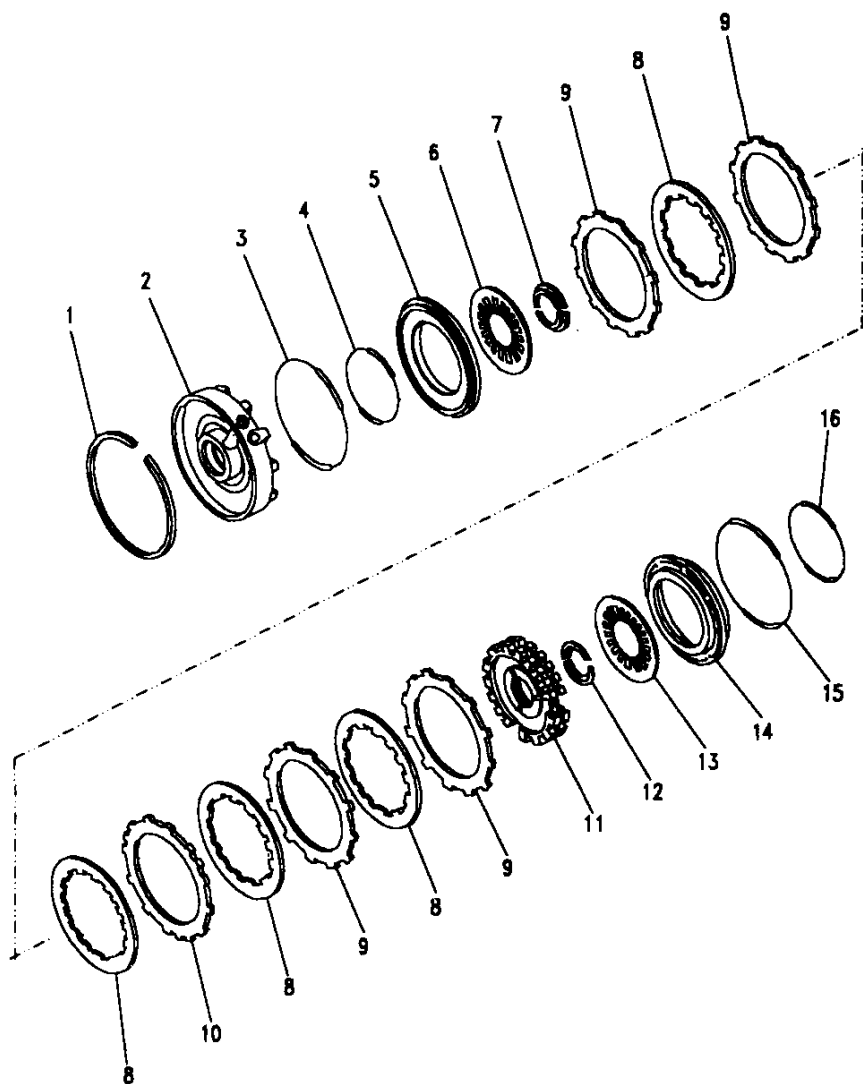


**Model** RANGE ROVER 1992 onwards  
**Page** BDCPGG1A

**GEARBOX - BRAKE - ZF AUTOMATIC**

III. Part No.	Description	Qty	Remarks
<b>BRAKE F'</b>			
1	RTC5137 Ring snap	1	
2	RTC5136 Disc end	1	
3	RTC5135 Disc lined clutch	4	
4	RTC5134 Disc clutch	4	
5	RTC5160 Ring	1	
6	RTC5159 Disc spring	1	
7	Ring	1	Note(1)
8	RTC5158 Piston	1	
9	Ring	1	Note(1)
10	RTC5157 Piston ring	2	
11	RTC5155 Cylinder	1	
12	RTC5156 Screw	10	
13	RTC4660 Piston ring	3	

Note(1) Part of kit RTC5101 not supplied separately



**Model** RANGE ROVER 1992 onwards  
**Page** BDCPGG2B

**GEARBOX - BRAKE - ZF AUTOMATIC**

III. Part No.	Description	Qty	Remarks
<b>BRAKE 'C-C'</b>			
1	RTC5173	1	Ring snap
2	RTC5174	1	Plate centre-3.9
	STC989	1	Plate centre-4.2
3		1	O ring
4		1	O ring
5	RTC5175	1	Piston-3.9
	STC990	1	Piston-4.2
6	RTC5176	1	Disc spring
7	RTC5177	1	Ring stop
8	RTC5122	4	Disc lined clutch-3.9
	RTC5122	5	Disc lined clutch-4.2
9	RTC5126	4	Plate clutch-3.9
	RTC5126	1	Plate clutch-4.2
10	RTC5123	1	Disc end-3.9
	STC992	1	Disc end-4.2
11	RTC5178	1	Wheel free-3.9
	STC993	1	Wheel free-4.2
12	RTC5177	1	Ring stop
13	RTC5176	1	Disc spring
14	RTC5179	1	Piston
15		1	O ring
16		1	O ring
17	RTC5121	4	Plate clutch-4.2

Note(1) Part of kit RTC5100 not supplied separately

**Model** RANGE ROVER 1992 onwards  
**Page** BDCPGG3B

**GEARBOX - BRAKE - ZF AUTOMATIC**

**III. Part No.**

**Description**

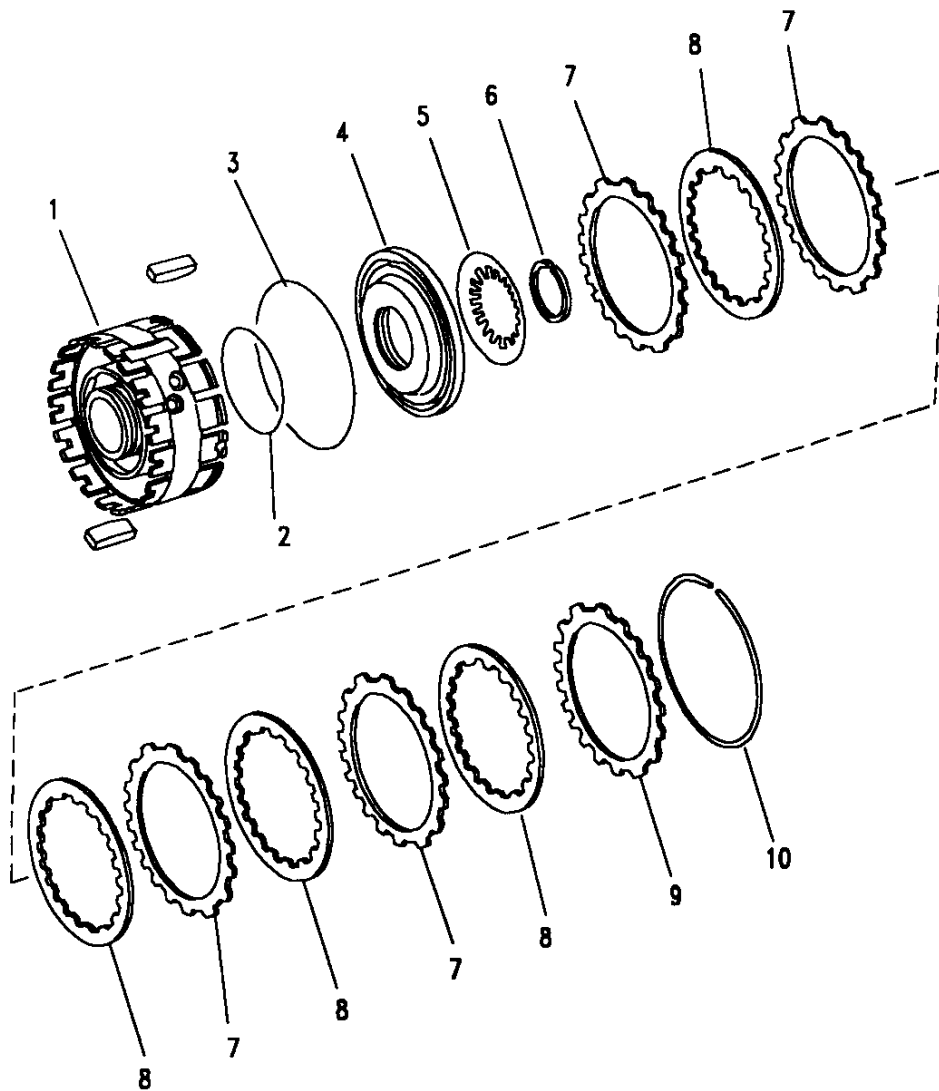
**Qty Remarks**

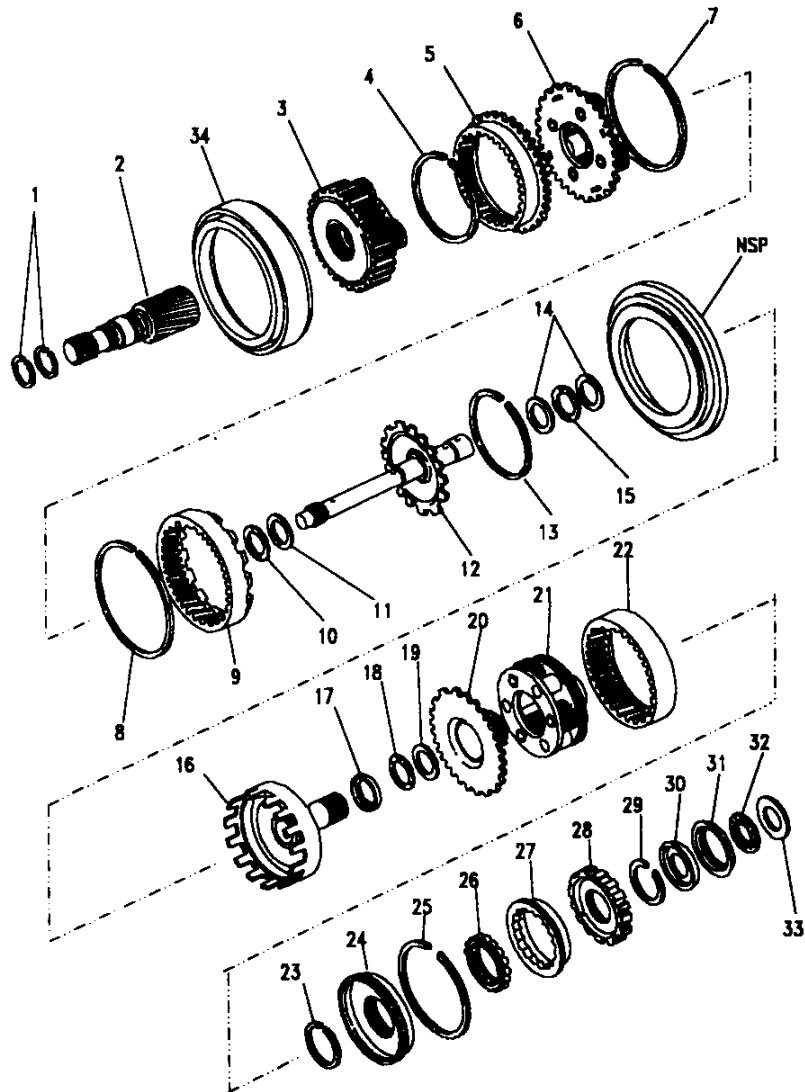
**BRAKE'D'**

1	RTC5151	Cylinder	1	
2		O ring	1	Note(1)
3		O ring	1	Note(1)
4	RTC5152	Piston	1	
5	RTC5153	Disc spring	1	
6	RTC5154	Ring stop	1	
7	RTC5126	Disc clutch	4	
8	RTC5127	Disc lined clutch	4	
9	RTC5125	Disc outer clutch	1	
10	RTC5128	Ring snap	1	

Note(1)

Part of kit RTC5100 not supplied separately



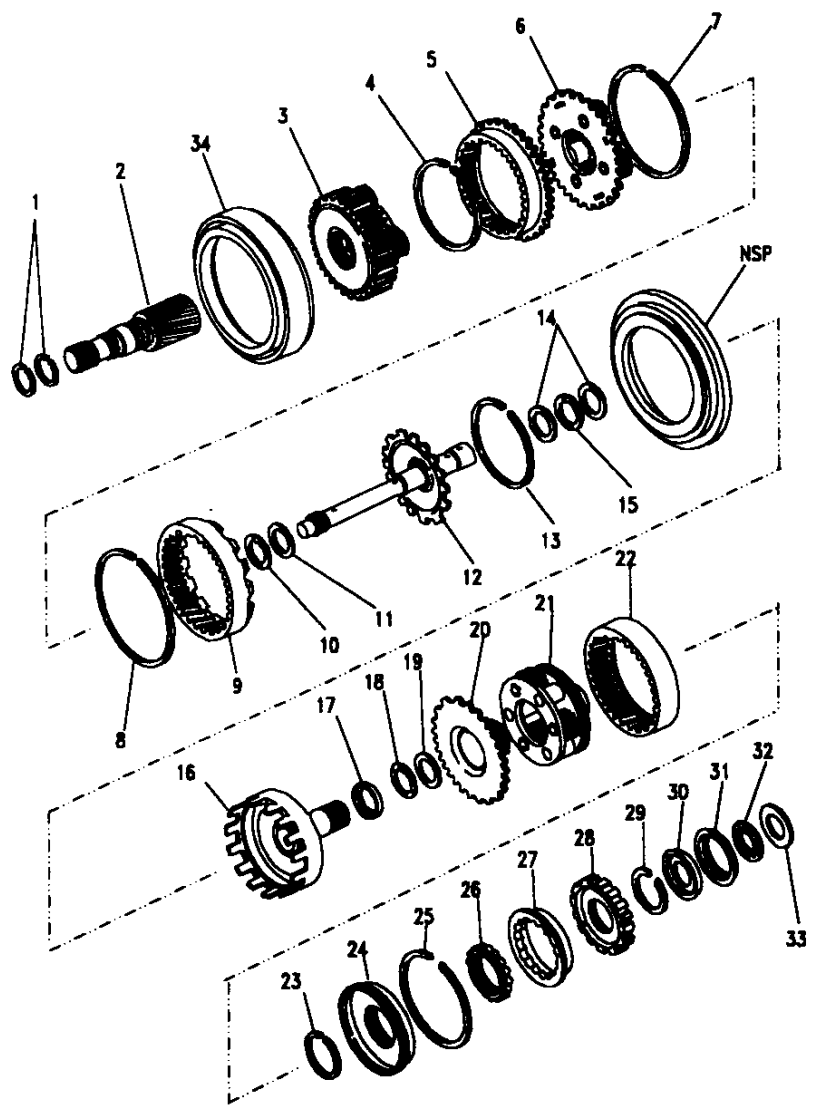


**Model** RANGE ROVER 1992 onwards  
**Page** BDCPIA1B

**GEARBOX - WEBB SHAFT & 4TH GEAR - ZF AUTOMATIC**

III. Part No.	Description	Qty	Remarks
1	RTC5183	2	Piston ring
2	RTC5182	1	Shaft-sun gear
	STC334	3	Seals-shaft
3	RTC5185	1	Planetary drive-3.9
	STC994	1	Planetary drive-4.2
4	RTC5181	1	Ring snap
5	RTC5180	1	Ring gear
6	RTC5188	1	Planetary drive
7	RTC5190	1	Ring snap
8	RTC5181	1	Ring snap
9	RTC5184	1	Ring Gear
10		1	Cage needle axial
11		1	Washer axial
12	RTC5186	1	Shaft intermediate-3.9
	STC995	1	Shaft intermediate-4.2
13	RTC5187	1	Ring snap
14		2	Washer axial
15		1	Cage needle axial
16	RTC5189	1	Shaft spider-3.9
	STC996	1	Shaft spider-4.2
17		1	Disc angle
18		1	Cage needle axial
19		1	Washer axial
20	RTC5191	1	Sun gear
21	RTC5192	1	Planetary drive-3.9
	STC997	1	Planetary drive-4.2
22	RTC5193	1	Ring gear

Note(1) Part of kit RTC5101 not supplied seperately



**Model** RANGE ROVER 1992 onwards  
**Page** BDCPIA1B

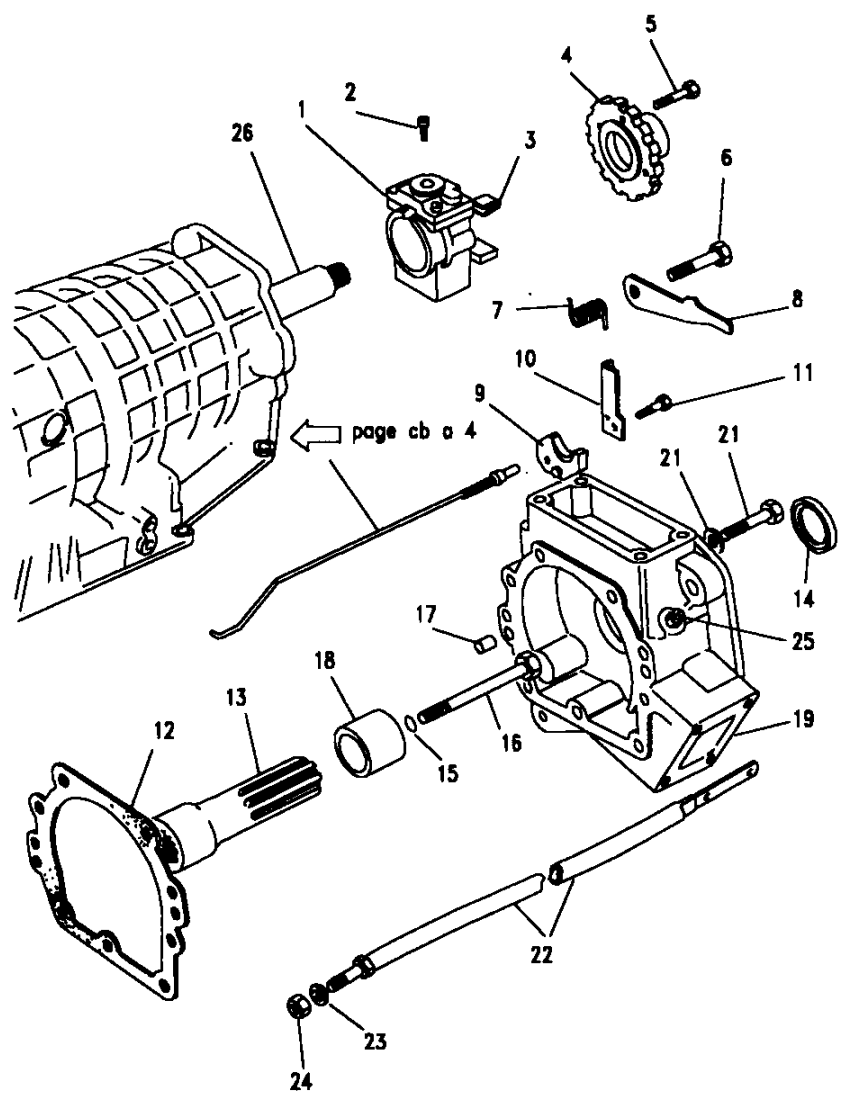
**GEARBOX - WEBB SHAFT & 4TH GEAR - ZF AUTOMATIC**

III. Part No.	Description	Qty	Remarks
23 RTC5171	Ring snap	1	
24	Ring free wheel	1	}
25	Ring snap	1	
26	Cage	1	)Note(1)
27	Ring free wheel	1	
28	Disc carrier	1	}
29 RTC5172	Ring snap	1	
30	Washer thrust	1	)Note(2)
31	Washer thrust	1	
32	Cage needle axial	1	)Note(2)
33	Washer axial	1	
34 RTC5129	Ring support	1	

Note(1) Use kit STC330  
 Note(2) Part of gasket kit RTC5101 not supplied seperately

**Model** RANGE ROVER 1992 onwards  
**Page** BDCPII1A

**GEARBOX - GOVERNER EXTENSION HOUSING - ZF AUTOMATIC**



III. Part No.	Description	Qty	Remarks
1	RTC4314 Governor hub	1	
	RTC5792 Governor weight	1	Note(1)
2	RTC4313 Screw	2	
3	RTC4315 Clip	1	
4	RTC4662 Park gear	1	
5	RTC4313 Screw	4	
6	RTC4661 Bolt	1	
7	RTC4308 Spring	1	
8	RTC4307 Pawl	1	
9	RTC5212 Plate guide	1	
10	RTC4663 Plate guide	1	
11	RTC5211 Screw	1	
12	RTC4295 Gasket	1	
13	FRC7893 Shaft coupling	1	
14	RTC4650 Ring sealing-shaft	1	
15	FRC5575 O ring	1	
16	BH110261L Bolt M10x130mm	1	
17	RTC4301 Dowel	2	
18	RTC4300 Ring inner	1	
19	RTC4659 Housing extension	1	
20	SH106121L Screw	9	
21	WA106041L Washer	9	
22	FRC7500 Strut assy	1	
23	WA110061L Washer plain	1	
24	NY110041L Nut nyloc	1	
25	FRC9427 Pipe breather 957mm	1	
26	RTC5150 Shaft output	1	
	FTC890 Stud-lifting bracket	1	

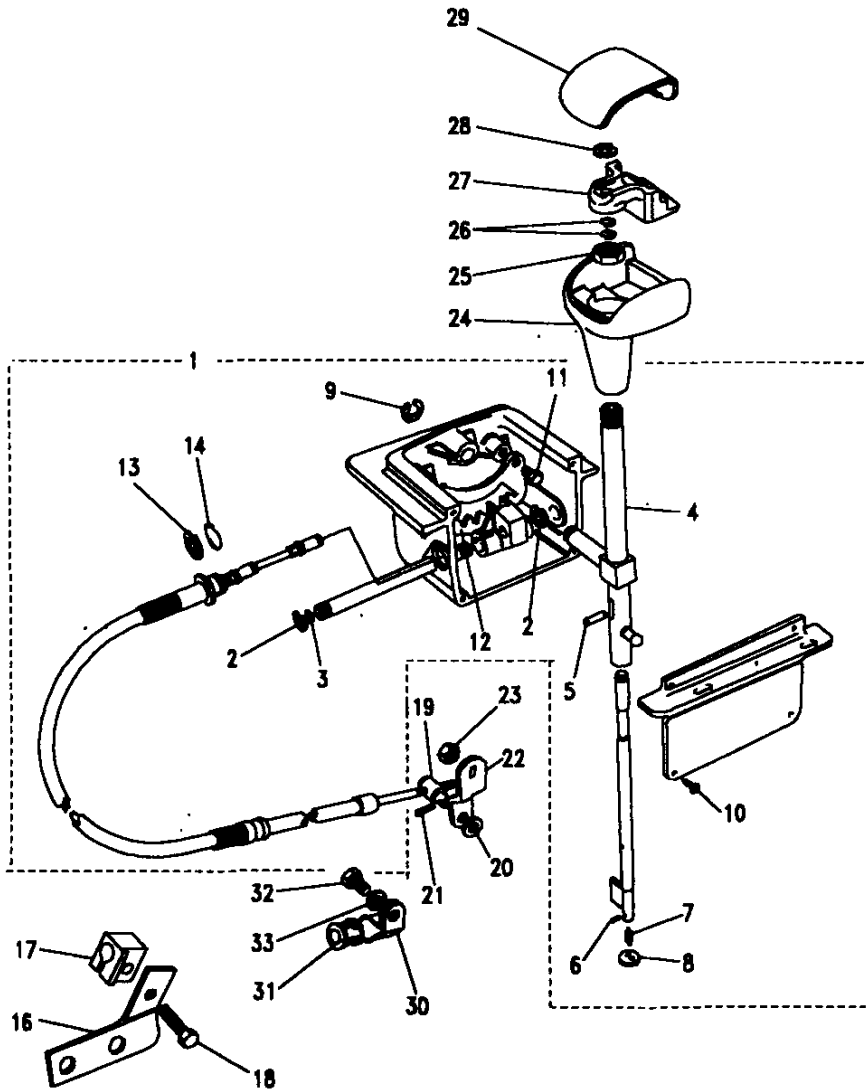
Note(1) Part comprises top cover & balance weight

**Model** RANGE ROVER 1992 onwards  
**Page** BDCPKC1A

**GEARBOX - GEARCHANGE - ZF AUTOMATIC**

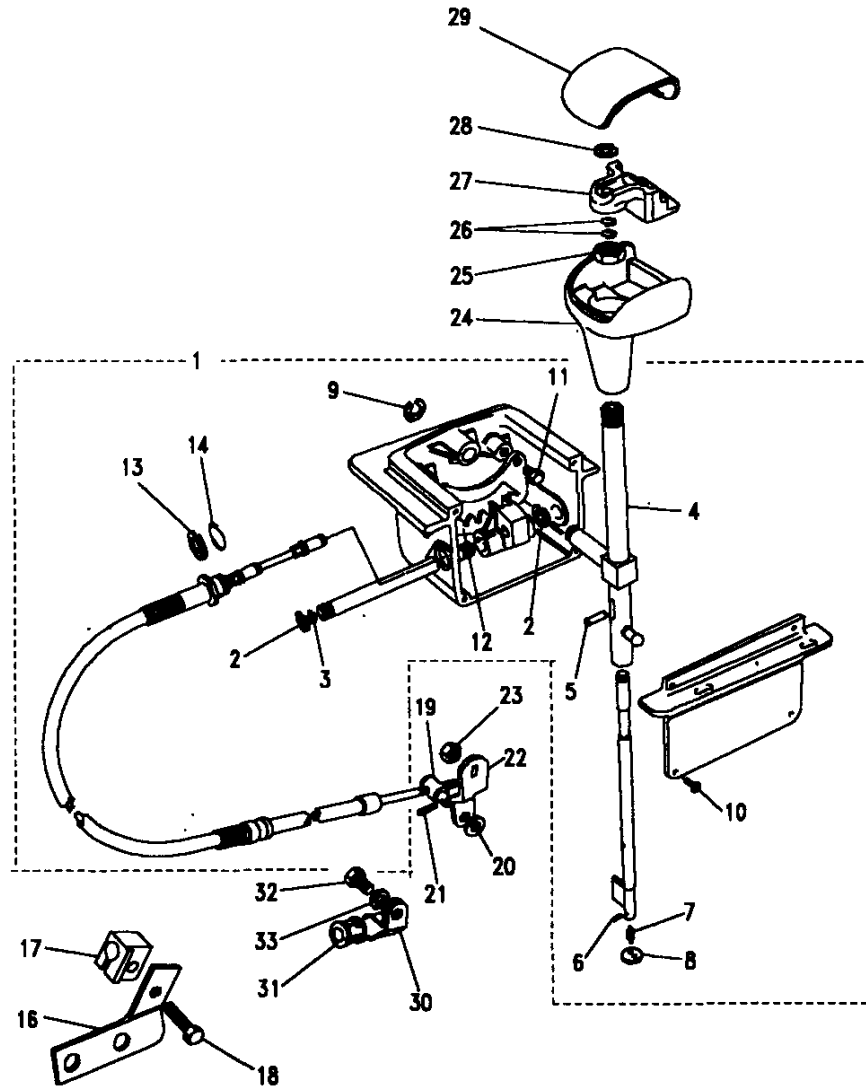
III. Part No.	Description	Qty	Remarks
1	FTC2703	1	Note(2)
	FTC3909	1	Note(3)
	FTC2903	1	Note(2)
	FTC3907	1	Note(3)
2	FRC8707	2	
3	FRC8711	2	
4	RTC5008	1	Note(2)
	STC2799	1	Note(3)
5		1	Note(1)
6	PA103061	1	
7		1	Note(1)
8		1	Note(1)
9	FRC8707	1	
10	AB606041	4	
11	FS106101L	2	
12	FRC9220	1	
13	FRC8709	1	
14	FRC8712	1	
15	FTC566	1	
16	FRC8742	1	Note(2)
	FTC3976	1	Note(3)

Note(1) Part of kit RTC5008 not supplied separately  
 Note(2) Up to VIN LA647644  
 Note(3) From VIN MA647645



**Model** RANGE ROVER 1992 onwards  
**Page** BDCPKC1A

**GEARBOX - GEARCHANGE - ZF AUTOMATIC**



III. Part No.	Description	Qty	Remarks
17	FRC8743	1	Clamp-cable
18	FS108301L	1	Bolt
19	FRC7630	1	Cable trunnion
20	WA108051L	1	Washer
21	PS104127L	1	Split pin
22	FRC8744	1	Lever-gearbox
23	FRC6915	1	Nut-lever
24	FRC9357	1	Gear knob
	BTR8332LNF	1	Gear knob LH Stg
	BTR8333LNF	1	Gear knob RH Stg
25	STC1128	1	Nut-gear knob
26	FRC9359	2	'O' ring
27	FTC578	1	Button-gear knob
	BTR8334LNF	1	Button-gear knob
	BTR8336	1	Slider-gear knob
	BTR9623	1	Spring-gear knob
28	FRC8708	1	'E' Clip-Gear Knob
	FTC3727	1	'E' Clip-Gear Knob
29	FRC8698	1	Cap-gear knob 3.9
	FTC2856	1	Cap 4.2 Erable walnut
	FTC2849	1	Cap 4.2 Burr walnut
	BTR9526	1	Cap 4.2 Burr walnut
30	50641	1	'P' clip
31	589254	1	Grommet
32	FS108161L	1	Screw
33	WA108051L	1	Washer

Note(1) Up to VIN LA647644  
 Note(2) From VIN MA647645



**Model** RANGE ROVER 1992 onwards  
**Page** BDCPKC2A

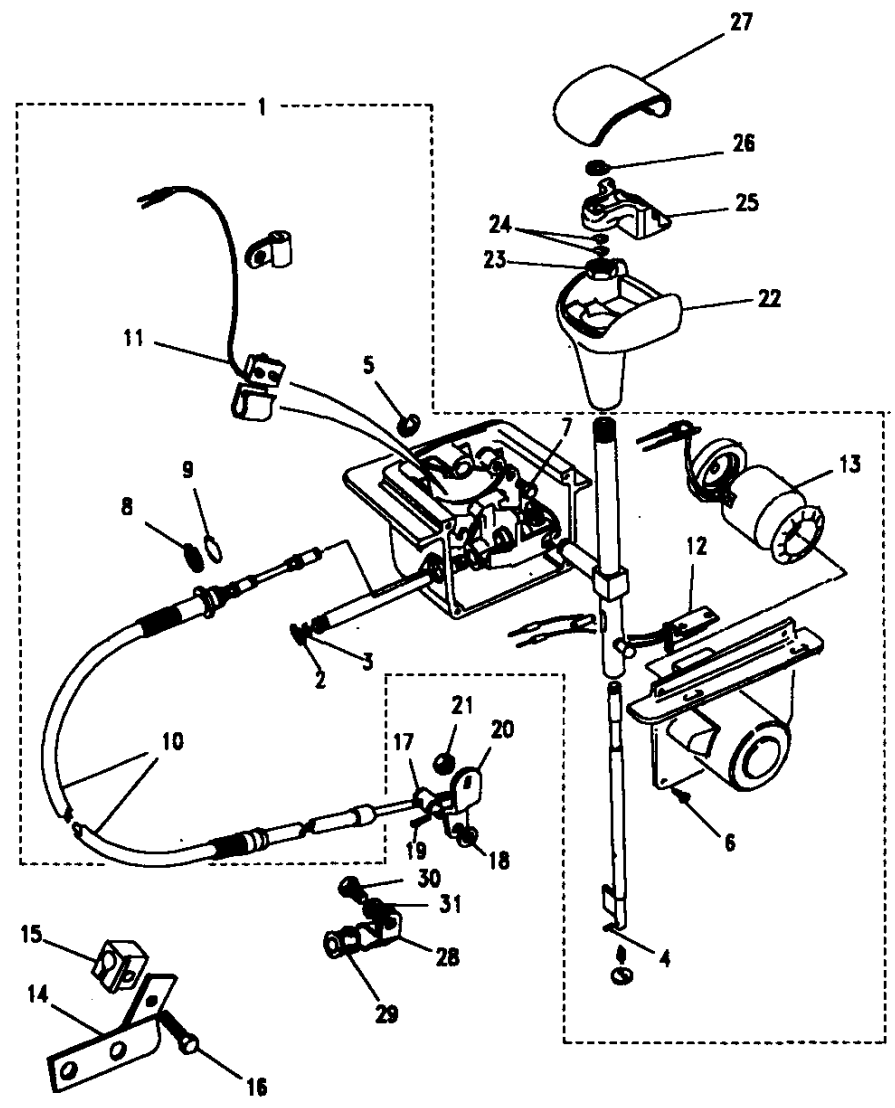
**GEARBOX - SHIFT INTERLOCK - ZF AUTOMATIC**

**III. Part No. Description Qty Remarks**

**JAPANESE MARKET ONLY**

1	FTC2497	Gearchange assembly	1	Note(1)
	FTC3908	Gearchange assembly	1	Note(2)
2	FRC8707	Clip'E'cross shaft	2	
3	FRC8711	O ring	2	
4	PA103061	Spring pin	1	
5	FRC8707	Clip'E'gear lever	1	
6	AB606041L	Screw side cover	4	
7	SH106101L	Screw	1	
8	FRC8709	Clip'E'	1	
9	FRC8712	O ring	1	
10	FTC566	Cable gear change	1	
11	PRC9677	Microswitch N.C.	1	
12	PRC9859	Microswitch N.O.	1	
13	FTC3283	Solenoid-park	1	
14	FRC8742	Bracket cable	1	
15	FRC8743	Clamp cable	1	
16	SH108301L	Screw cable clamp	1	
17	FRC7630	Trunnion cable	1	
18	WA108301L	Washer	1	
19	PS104127L	Split pin	1	
20	FRC8744	Lever-gearbox	1	
21	FRC6915	Nut-lever	1	
22	FRC9357	Knob gear	1	

Note(1) Up to VIN LA647644  
 Note(2) From VIN MA647645



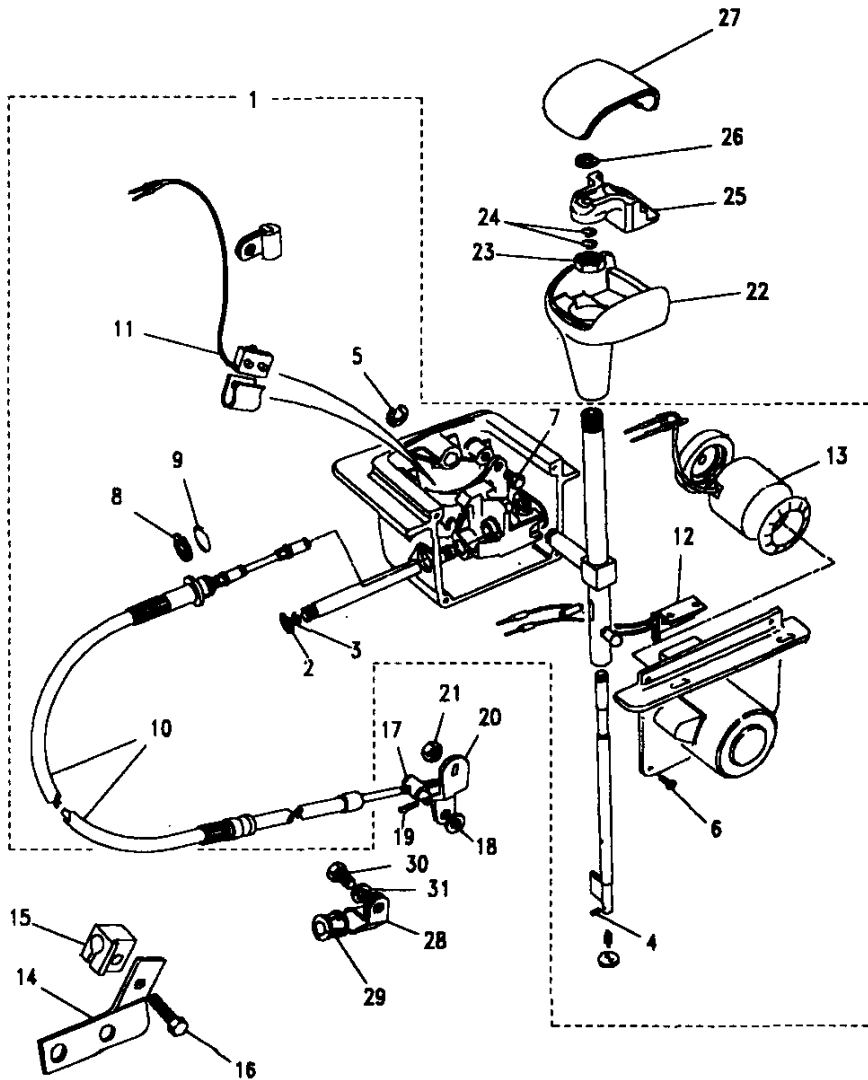
**Model** RANGE ROVER 1992 onwards  
**Page** BDCPKC2A

**GEARBOX - SHIFT INTERLOCK - ZF AUTOMATIC**

**III. Part No. Description Qty Remarks**

**JAPANESE MARKET ONLY**

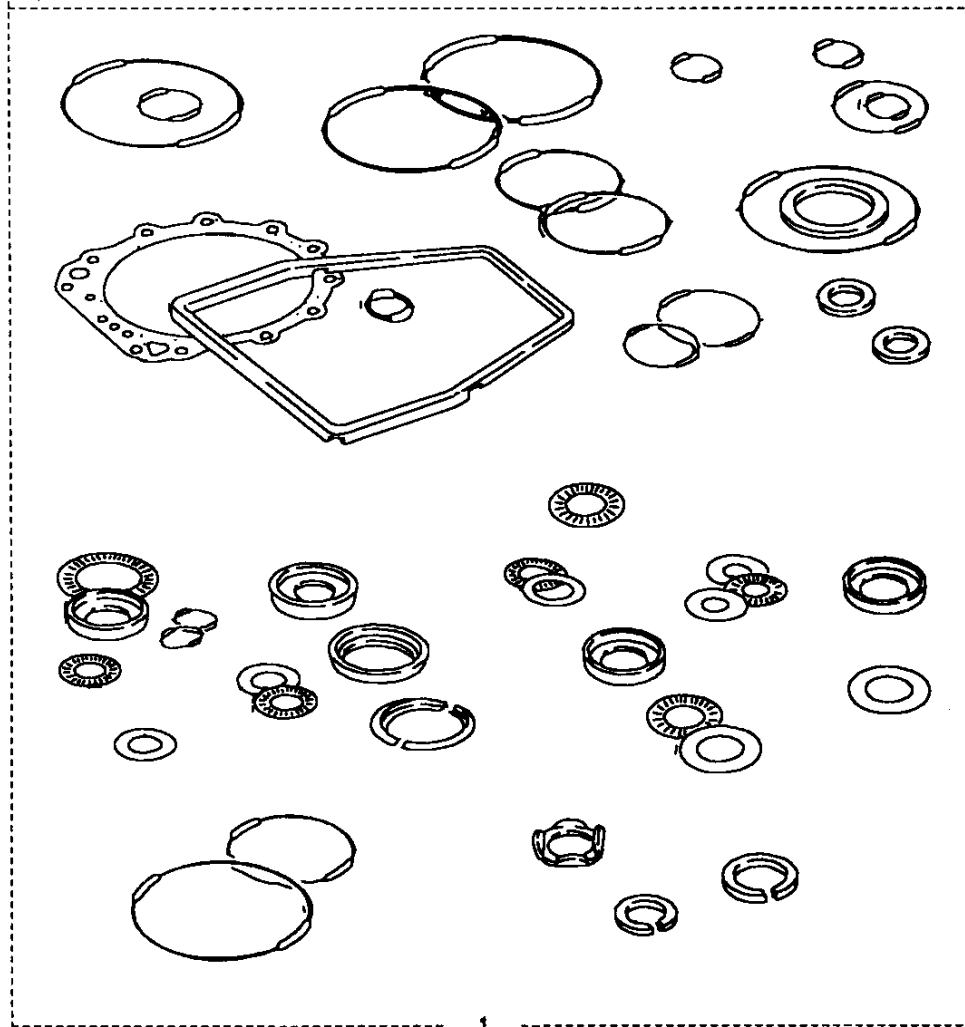
23	STC1128	Nut knob gear	1
24	FRC9359	O ring	1
25	FTC578	Button-knob gear	1
26	FRC8708	Clip 'E' knob gear	1
27	FRC8698	Cap knob gear	1
28	50641	Clip 'P'	1
29	589254	Grommet	1
30	SH108161L	Screw set	1
31	WA108051L	Washer	1



**Model** RANGE ROVER 1992 onwards  
**Page** BDCPMC1A

**GEARBOX - SERVICE KITS - ZF AUTOMATIC**

III. Part No.	Description	Qty	Remarks
1 RTC5100	Kit gasket & seals kit	1	
2 RTC5101	Kit bearing	1	

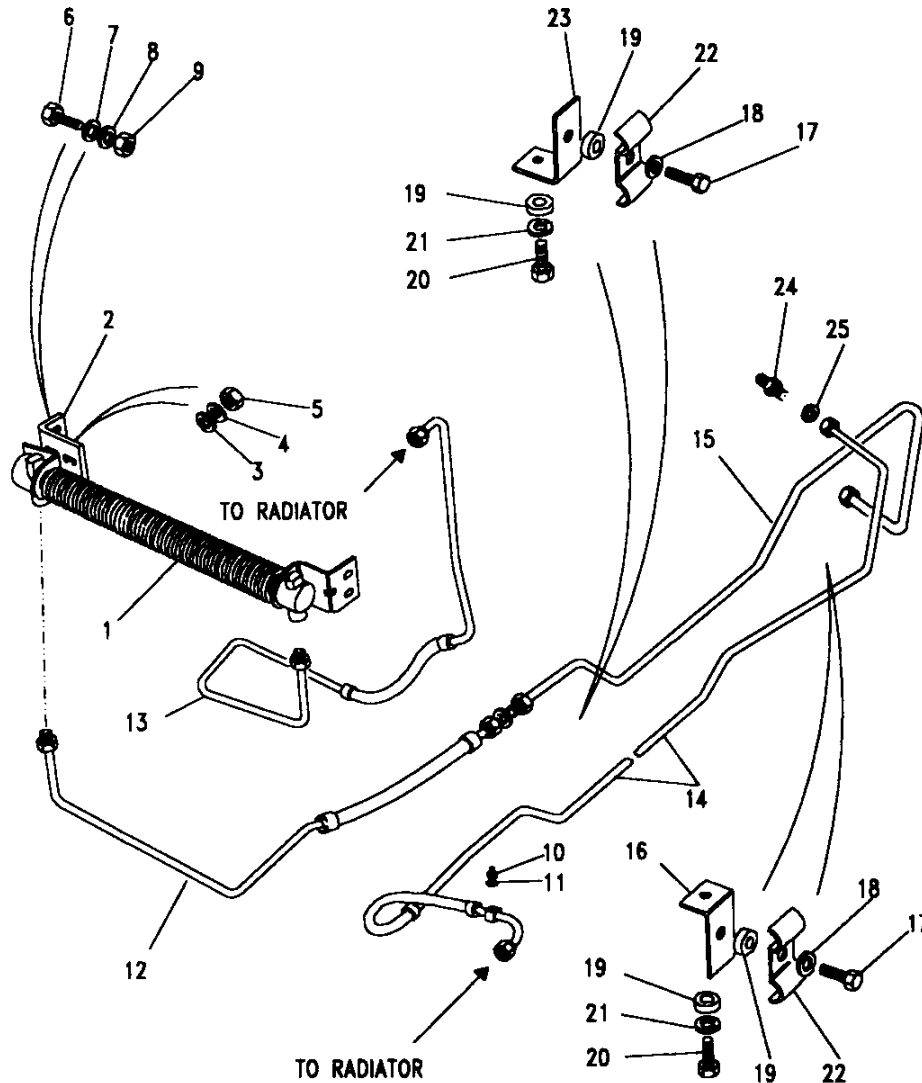


**Model** RANGE ROVER 1992 onwards  
**Page** BDCPOA1A

**GEARBOX - OIL COOLER - AUTOMATIC - UP TO LA647644**

III. Part No.	Description	Qty	Remarks
1	NTC6166	1	Note(1)
	ESR1703	1	Note(2)
2	NTC1868	1	
3	WA106041L	2	
4	WL106001L	2	
5	NH106041L	2	
6	FS106167L	4	
7	WA106041L	4	
8	WL106001L	4	
9	NH106041L	4	
10	PRC8473	1	
11	232039	1	
12	NTC5799	1	Note(1)
	ESR1243	1	Note(2)
	ESR1594	1	
13	NTC5743	1	Note(1)
	ESR1242	1	Note(2)
	ESR1594	2	
14	NTC5741	1	Note(1)
	ESR2252	1	Note(2)
	ESR1594	2	
15	NTC5838	1	Note(1)
	ESR2253	1	Note(2)
	ESR1594	2	

Note(1) Upto JA624755  
 Note(2) From KA624756

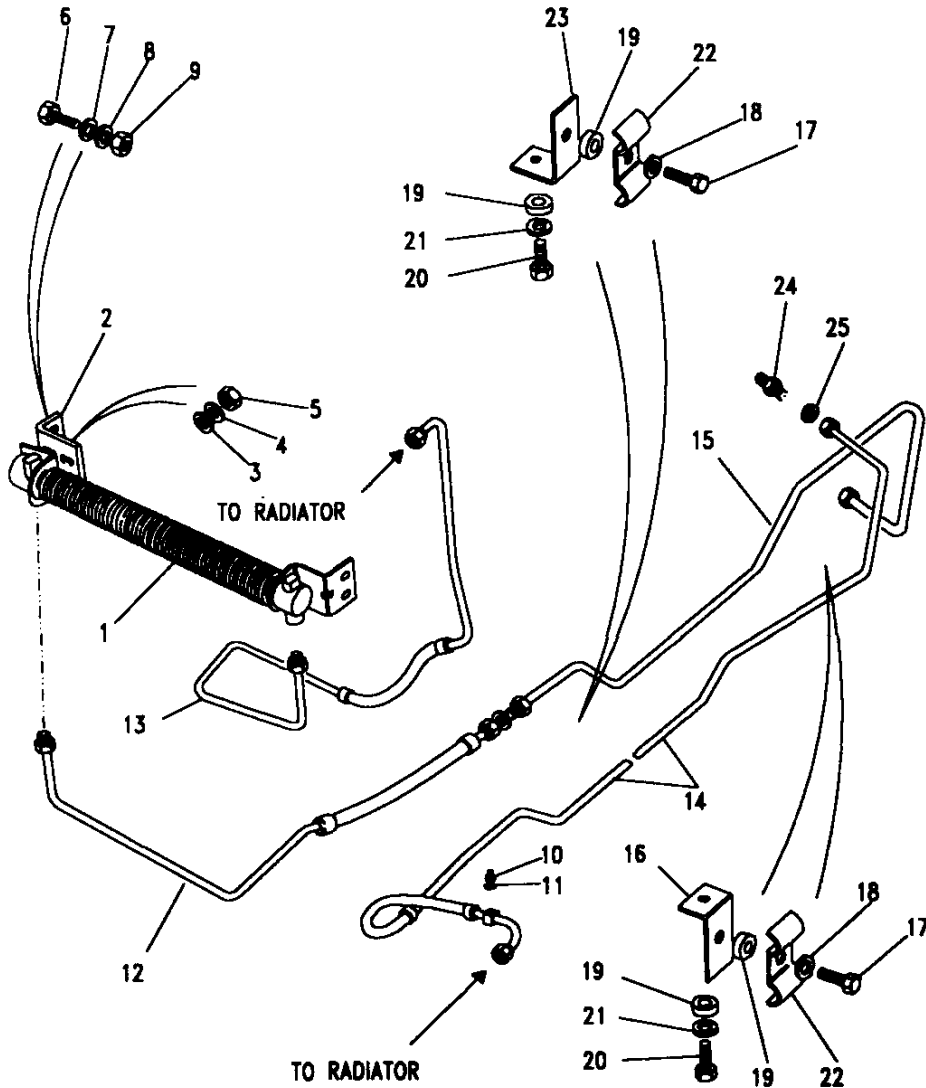


**Model** RANGE ROVER 1992 onwards  
**Page** BDCPOA1A

**GEARBOX - OIL COOLER - AUTOMATIC - UP TO LA647644**

III. Part No.	Description	Qty	Remarks
16	NTC5794	1	
17	SH505081L	2	
18	WL106001L	2	
19	4266L	4	
20	SH505081L	2	
21	WL108001L	2	
22	594637	2	
23	NTC5897	1	
24	FTC815	2	Note(1)
	ESR1253	2	Note(2)
25	FTC1525	2	

Note(1) Upto JA624755  
 Note(2) From KA624756



**Model** RANGE ROVER 1992 onwards  
**Page** BDCPOA2A

**GEARBOX - OIL COOLER V8 - AUTOMATIC - FROM MA647645**

**III. Part No. Description Qty Remarks**

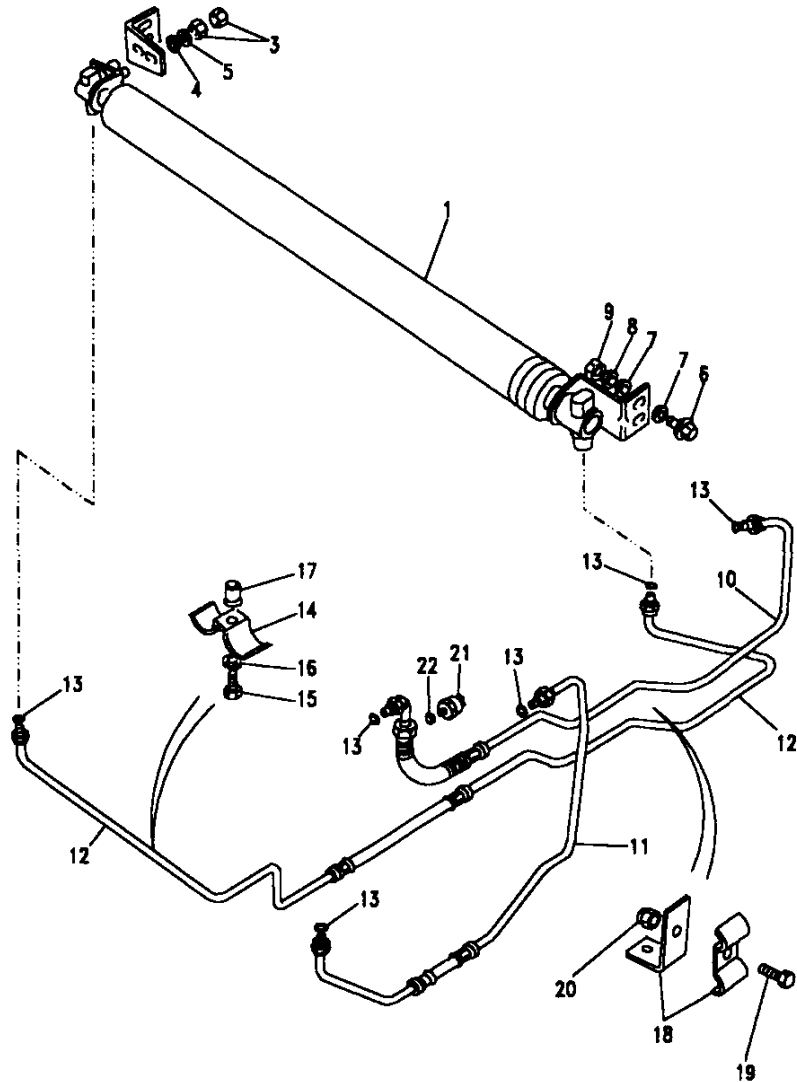
**Oil cooler & mounting bracket - manual gearbox**  
 1 ESR1703 Oil cooler 1  
 2 NTC1868 Mounting bracket 1

**Fixings - oil cooler to bracket**  
 3 NH106041L Nut 2  
 4 WA106041L Washer plain 2  
 5 WL106001L Washer spring 2

**Fixings - oil cooler assembly to panel**  
 6 FS106161 Screw flanged 4  
 7 WA106041L Washer plain 8  
 8 WL106001L Washer spring 4  
 9 NH106041L Nut 4

**Oil cooler pipes**  
 10 ESR2249 Pipe assy trans to o/c 1  
 11 ESR2664 Pipe assy o/c to o/c 1  
 12 ESR2810 Pipe assy o/c to trans 1  
 13 ESR1594 O Ring 6

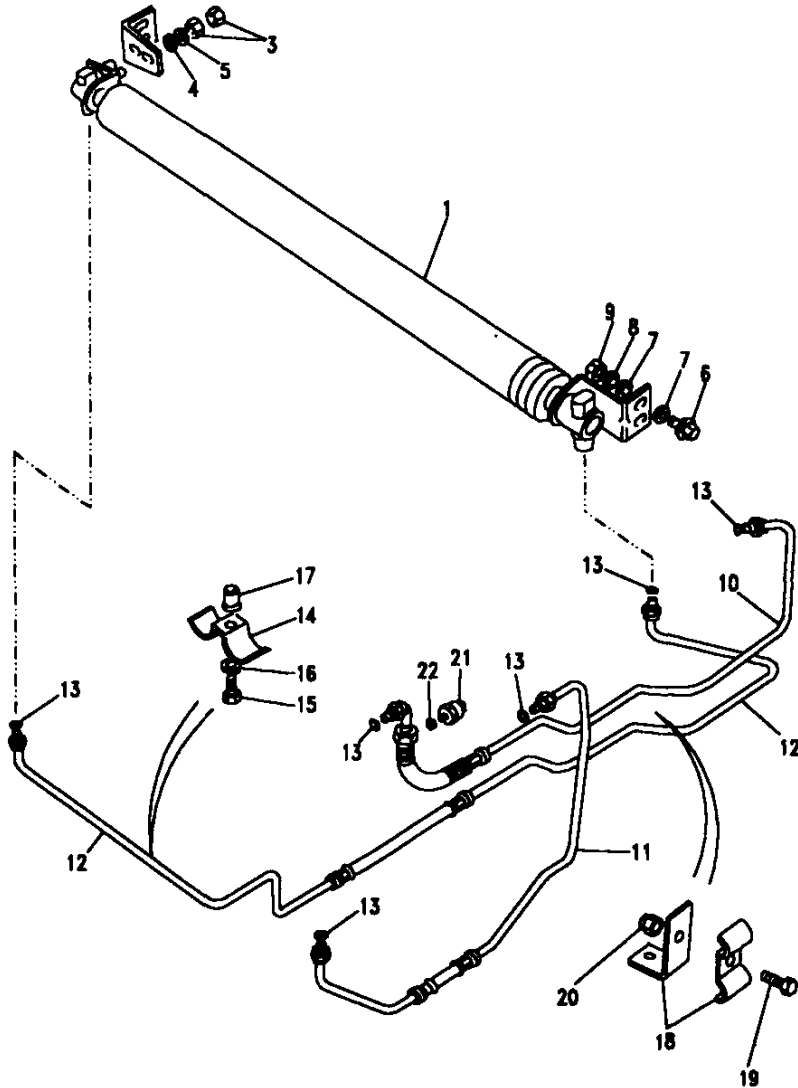
**Fixings - oil cooler pipes**  
 14 ESR2806 Saddle clamp 2  
 15 SH106351L Screw 1  
 16 WL106001L Washer spring 1  
 17 NN106021 Nutsert 1  
 18 NTC5754 Bracket mounting 1  
 19 FS106161 Screw 1  
 20 NY106041 Nut nyloc 1

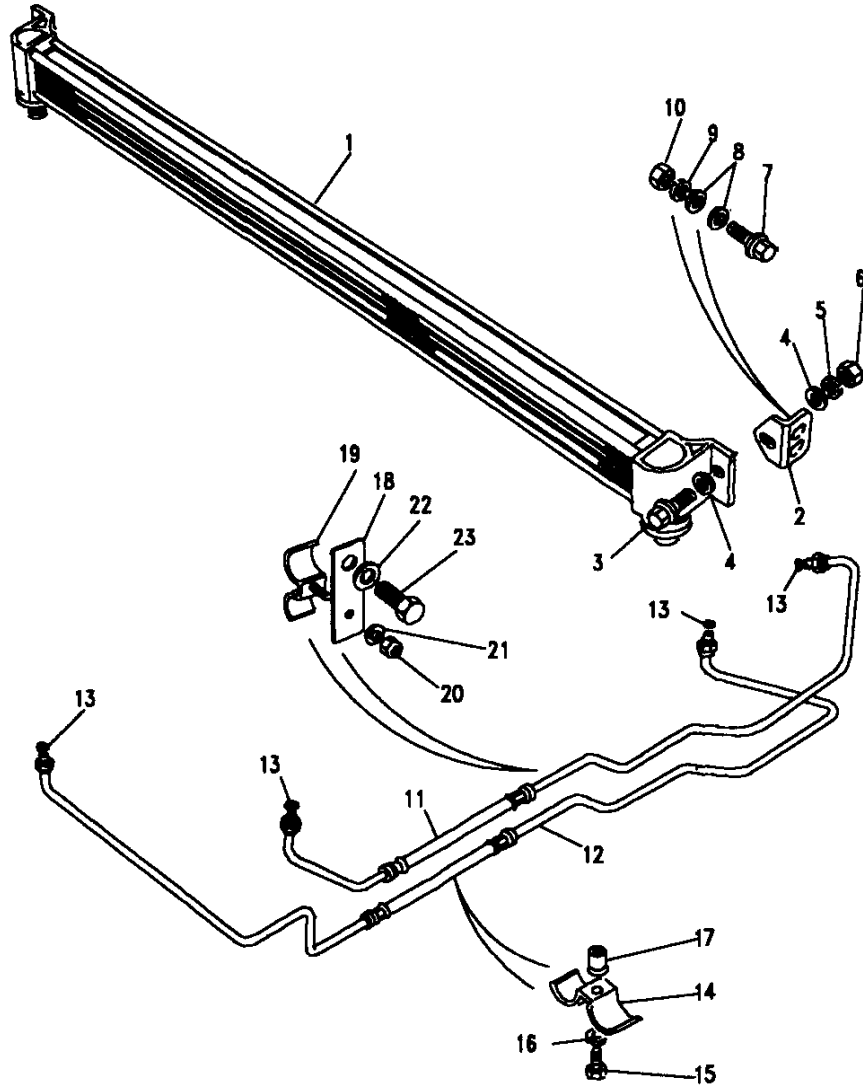


**Model** RANGE ROVER 1992 onwards  
**Page** BDCPOA2A

**GEARBOX - OIL COOLER V8 - AUTOMATIC - FROM MA647645**

III. Part No.	Description	Qty	Remarks
<b>Oil temperature switch</b>			
21	PRC8473	1	Switch oil temperature
22	232039	1	Joint washer
<b>Pipe adaptors &amp; seals</b>			
23	ESR1253	2	Adaptor
24	FTC1525	2	Seal bonded





**Model** RANGE ROVER 1992 onwards

**Page** BDCPOA2B

**GEARBOX - OIL COOLER 300TDI - AUTOMATIC - FROM MA647645**

**III. Part No. Description Qty Remarks**

**Oil cooler & mounting bracket - automatic gearbox**

1	ESR3228	Oil cooler	1
2	ESR2311	Mounting bracket	2

**Fixings - oil cooler to brackets**

3	FS106161	Screw flanged	2
4	WA106041L	Washer plain	4
5	WL106001L	Washer spring	2
6	NH106041L	Nut	2

**Fixings - oil cooler assembly to panel**

7	FS106161	Screw flanged	4
8	WA106041L	Washer plain	8
9	WL106001L	Washer spring	4
10	NH106041L	Nut	4

**Oil cooler pipes**

11	ESR3240	Pipe assy o/c to trans	1
12	ESR3239	Pipe assy trans to o/c	1
13	ESR1594	O Ring	4

**Fixings - oil cooler pipes**

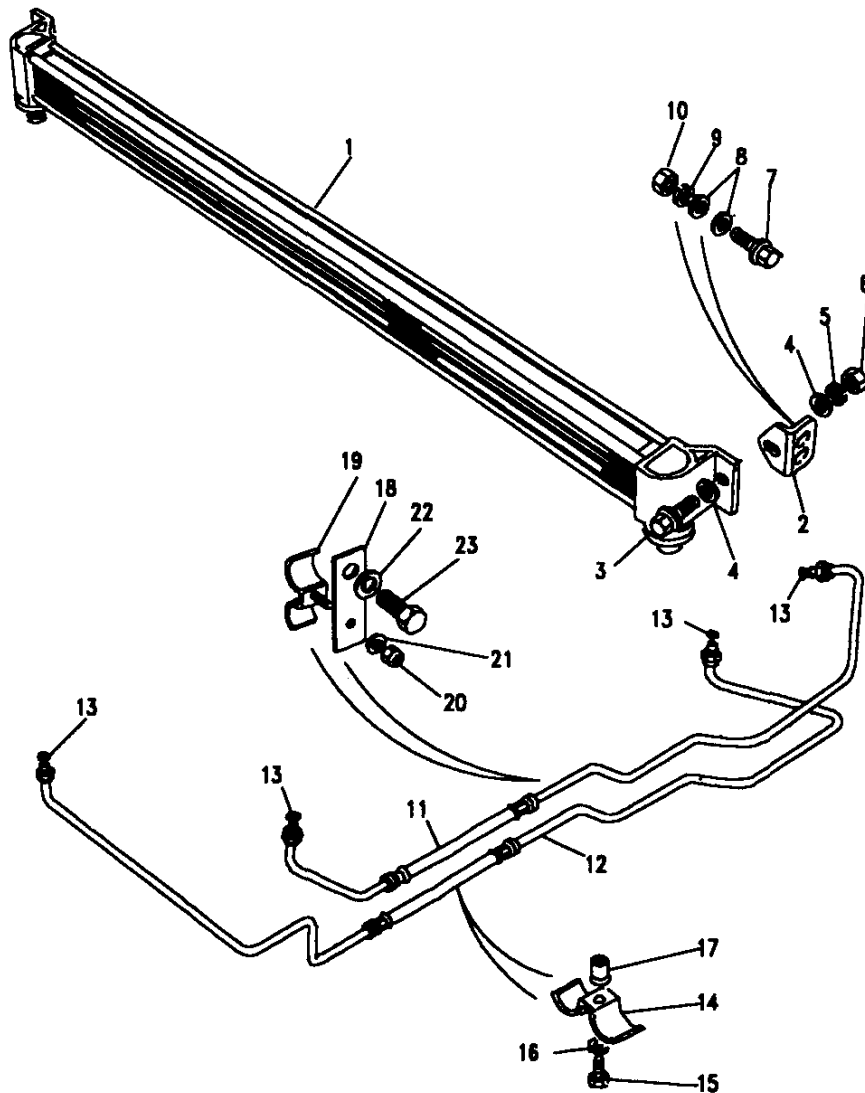
14	ESR2806	Saddle clamp	1
15	SH106351L	Screw	1
16	WL106001L	Washer spring	1
17	NN106021	Nutsert	1
18	ESR2416	Bracket mounting	1
19	ESR2579	Saddle clamp	1
20	NY106041	Nut nyloc M6	1
21	WA106041	Washer plain M6	1
22	SH112201	Screw M12	1
23	WA112081	Washer plain M12	1



**Model** RANGE ROVER 1992 onwards  
**Page** BDCPOA2B

**GEARBOX - OIL COOLER 300TDI - AUTOMATIC - FROM MA647645**

III. Part No.	Description	Qty	Remarks
<b>Oil temperature switch</b>			
24 PRC8473	Switch oil temperature	1	
25 232039	Joint washer	1	
<b>Pipe adaptors &amp; seals</b>			
26 ESR1253	Adaptor	2	
27 FTC1525	Seal bonded	2	



**MASTER INDEX**

	PAGES
INTRODUCTION PAGES	1 - 3
ALPHABETICAL INDEX	4 - 9
ENGINE	10 - 50
ENGINE	51 - 88
ENGINE	89 - 133
ENGINE	134 - 172
GEARBOX	173 - 194
GEARBOX	195 - 211
GEARBOX	212 - 238
TRANSFER BOX	239 - 252
AXLES AND SUSPENSION	253 - 313
STEERING	314 - 332
VEHICLE AND ENGINE CONTROLS	333 - 343
BRAKES	344 - 374
FUEL SYSTEM AND AIR CLEANER	375 - 401
EXHAUST SYSTEM	402 - 409
COOLING/HEATING	410 - 456
BODY ELECTRICAL	457 - 574
BODY AND CHASSIS	575 - 681
INTERIOR TRIM	682 - 772
SEATS	773 - 843
SEATS	844 - 862
STOWAGE	863 - 865
ACCESSORIES - PAINTS	866 - 893
NUMERICAL INDEX	895 - 958

**GROUP D**

**TRANSFER BOX**

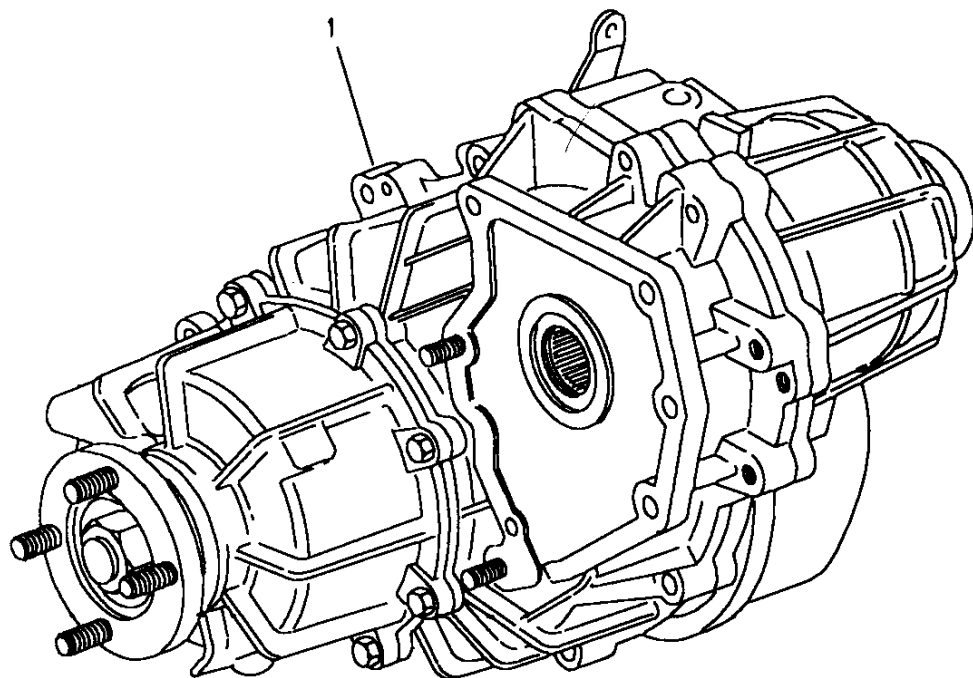
<b>TRANSFER BOX</b>	
TRANSFER ASSEMBLY - BORG WARNER	240
FRONT CASING - BORG WARNER	241
FRONT HOUSING - BORG WARNER	242
CARRIER & PUMP - BORG WARNER	243
SPEEDO DRIVE - BORG WARNER	244
MAINSHAFT - BORG WARNER	245
OUTPUT SHAFT - BORG WARNER	246
HIGH/LOW - BORG WARNER	247
GEARCHANGE - BORG WARNER	248
BORG WARNER - TRANSMISSION BRAKE	249 - 251
MOUNTING BRACKETS - BORG WARNER	252

**Model** RANGE ROVER 1992 onwards  
**Page** BDDGAA1A

**TRANSFER GEARBOX - TRANSFER ASSEMBLY - BORG WARNER**

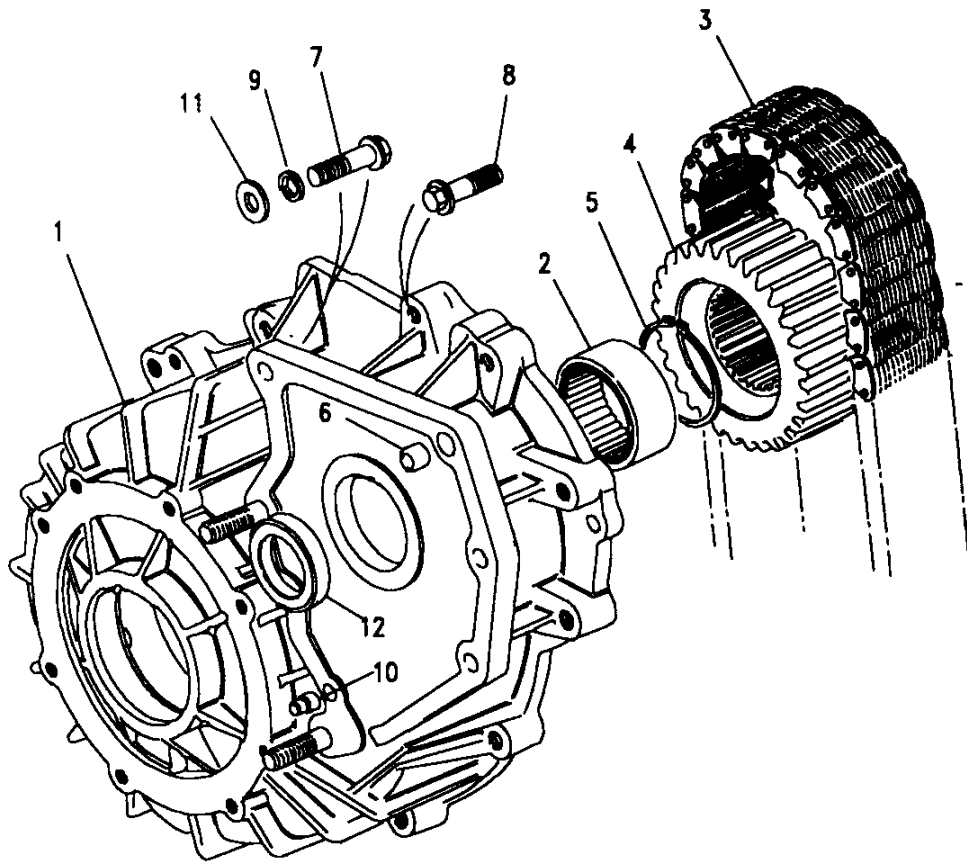
Ill. Part No.	Description	Qty	Remarks
1 FTC1564N	Transfer gearbox assembly	1	
FTC1566	Transfer gearbox assembly	1	Note(1)

Note(1) JAPAN AUTO ONLY - Use with SHIFT INTERLOCK



**Model** RANGE ROVER 1992 onwards  
**Page** BDDGCA1A

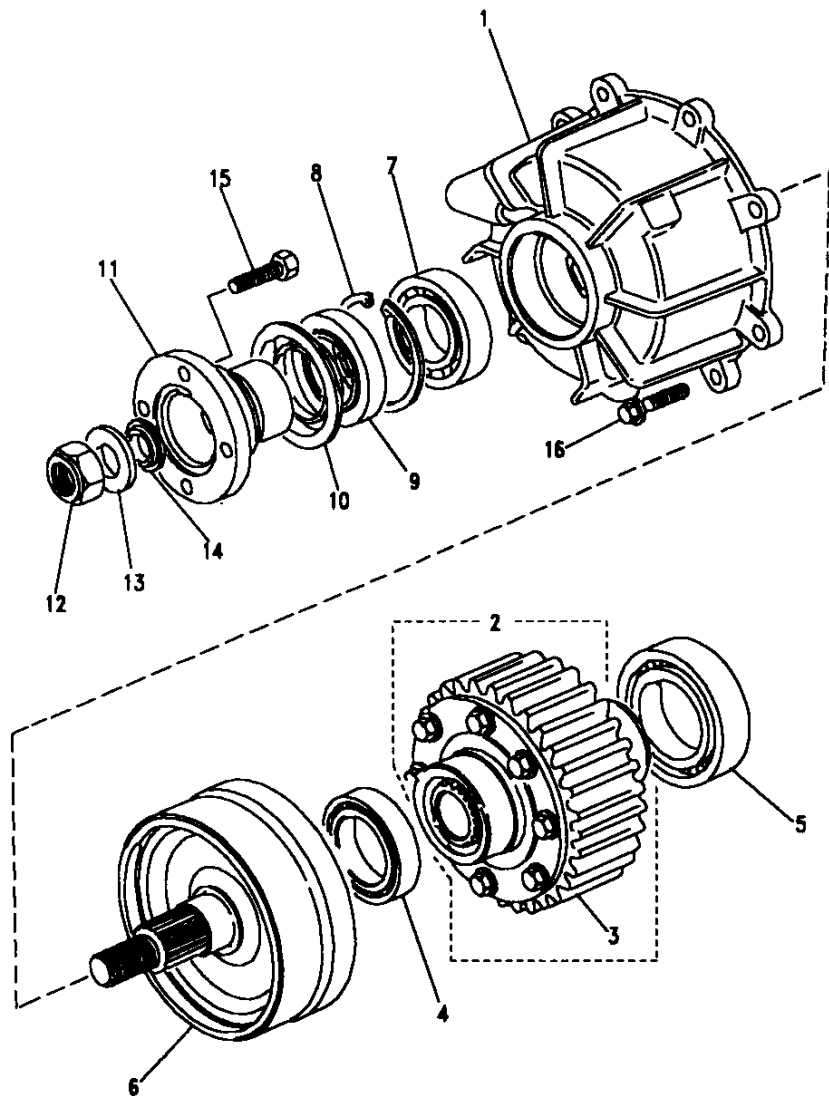
**TRANSFER GEARBOX - FRONT CASING - BORG WARNER**



III. Part No.	Description	Qty	Remarks
1	RTC6053	1	Casing front
2	RTC6045	1	Bearing needle
3	RTC6041	1	Chain
4	STC364	1	Sprocket drive
5	RTC6046	1	Circlip
6	FRC2482	1	Dowel
7	FRC9540	2	Bolt M10x40
	FRC9541	1	Bolt M10x45
8	RTC6370	6	Bolt
9	WL110001L	6	Washer
10	571134	1	Dowel
	WA110061L	3	Washer Plain
12	FRC2365	1	Seal oil
	232042	1	Joint washer G.Box/T.Box

**Model** RANGE ROVER 1992 onwards  
**Page** BDDGCA2A

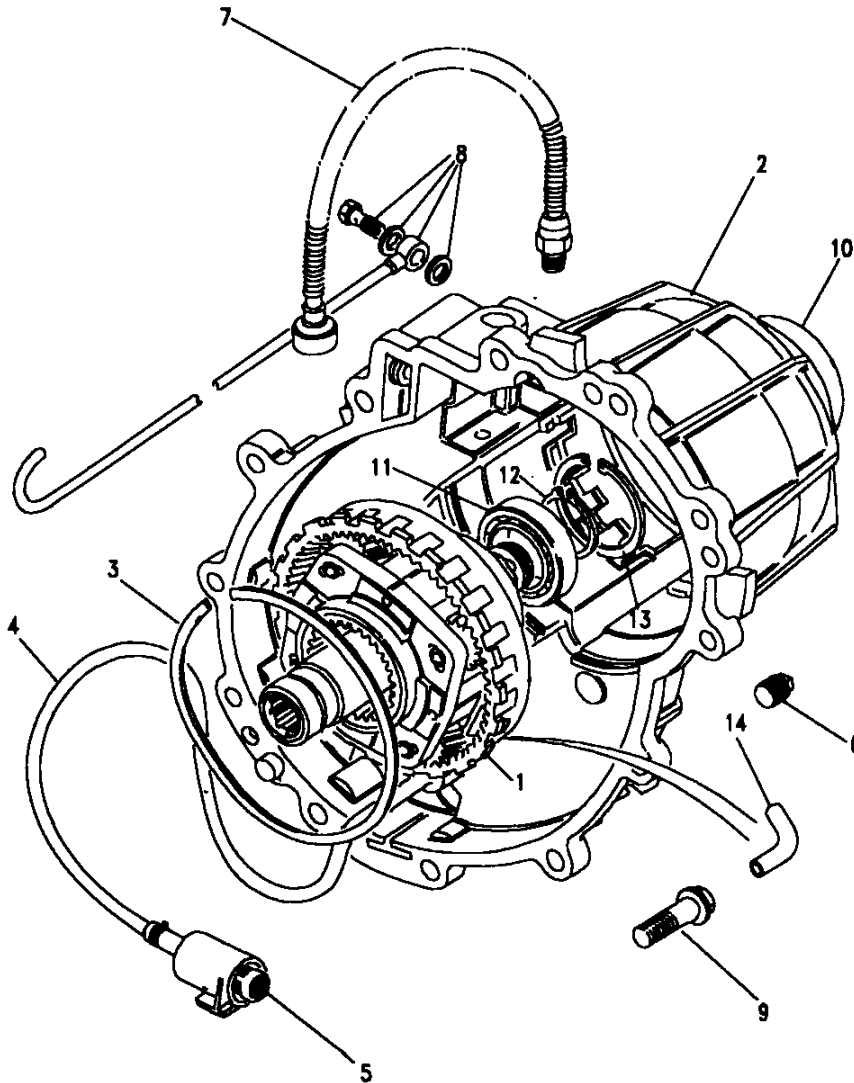
**TRANSFER GEARBOX - FRONT HOUSING - BORG WARNER**



Ill. Part No.	Description	Qty	Remarks
1	RTC6091	1	Housing front
2	RTC6060	1	Differential assy
3	STC365	1	Track outside gear
4	RTC6015	1	Bearing
5	RTC6018	1	Bearing
6	RTC6044	1	Viscous assembly
7	RTC6025	1	Bearing
8	RTC6020	1	Ring retaining
9	FRC7043	1	Seal oil
10	571970	1	Thrower oil
11	RTC6059	1	Flange-front output
12	NY120041L	1	Nut
13	571468	1	Washer
14	RTC6363	1	Seal oil
15	BT606101L	4	Bolt
16	RTC6371	8	Bolt

Model RANGE ROVER 1992 onwards  
 Page BDDGCA3A

**TRANSFER GEARBOX - CARRIER & PUMP - BORG WARNER**

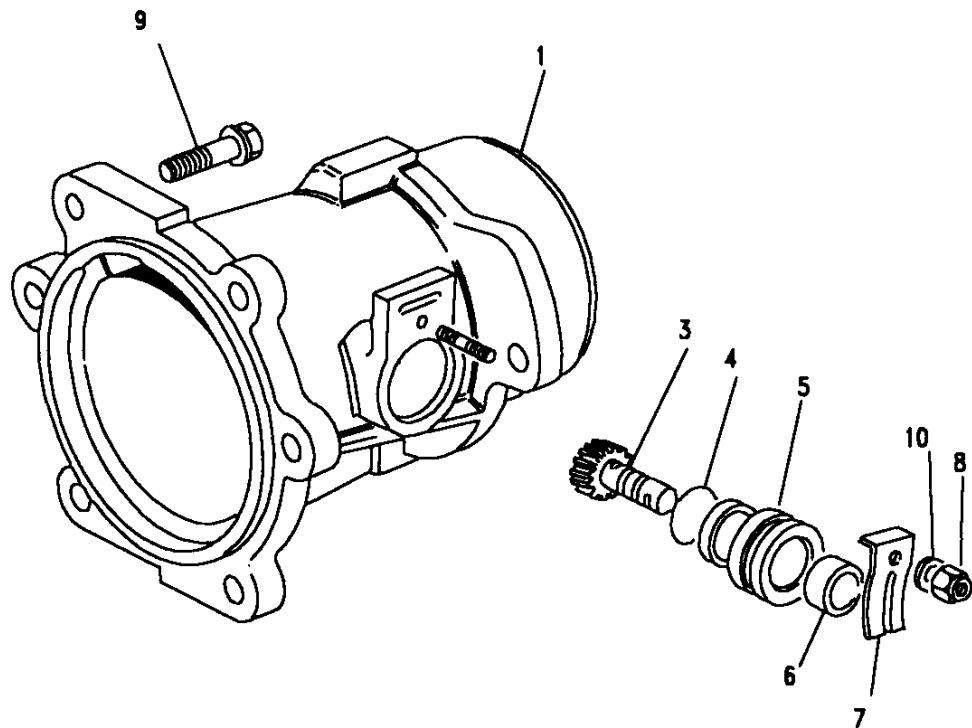


III. Part No.	Description	Qty	Remarks
1	RTC6014	1	Carrier & pump assy
2	STC161	1	Casing rear
	STC785	2	Plug-switches-neutral/oil
3	RTC5995	1	Ring retaining
4	RTC6022	1	Tube-lubricant pump
5	RTC6011	1	Filter
6	RTC6021	1	Plug drain
7	PRC6609	1	Switch-neutral sense
8	FRC9427	1	Breather-banjo bolt
9	RTC6370	11	Bolt
10	RTC6024	1	Bearing cap
11	RTC6019	1	Bearing
12	RTC6023	1	Circlip
13	RTC6020	1	Circlip
14	STC774	1	Elbow-tube-pump
	PRC7984	1	Switch-oil temperature

**Model** RANGE ROVER 1992 onwards  
**Page** BDDGEA1A

**TRANSFER GEARBOX - SPEEDO DRIVE - BORG WARNER**

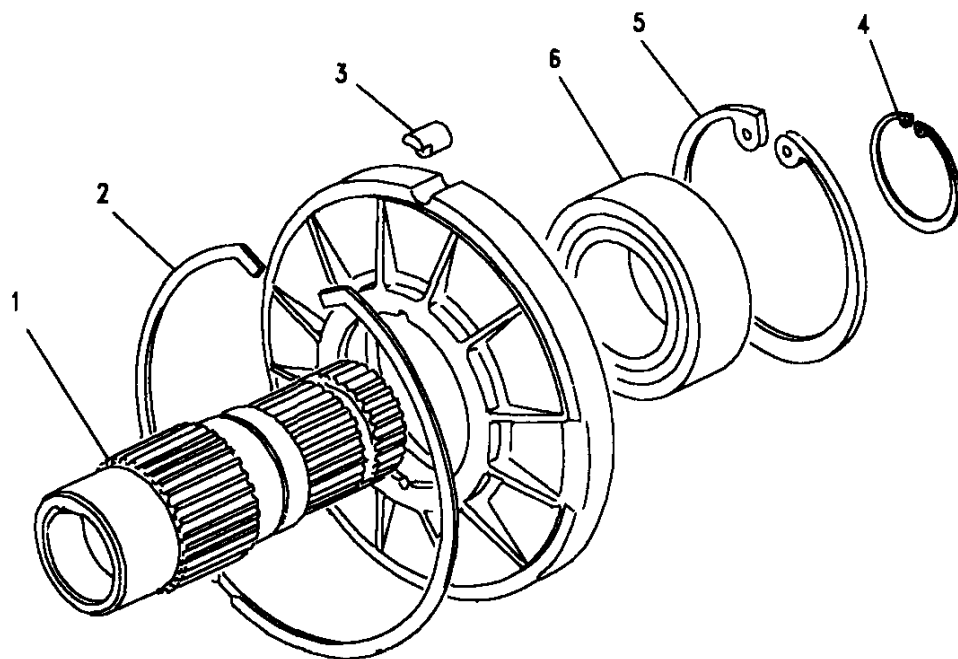
III. Part No.	Description	Qty	Remarks
1	RTC6090	1	Housing-speedo drive
2	571536	1	Stud
3	FRC9339	1	Gear driven
4	571665	1	O ring
5	FRC3286	1	Housing speedo
6	AAU2304	1	Seal oil
7	533765	1	Plate retaining
8	NY106041L	1	Nut
9	RTC6370	6	Bolt
10	WA106041L	1	Washer
	88108757	1	Oil seal - speedo spndl



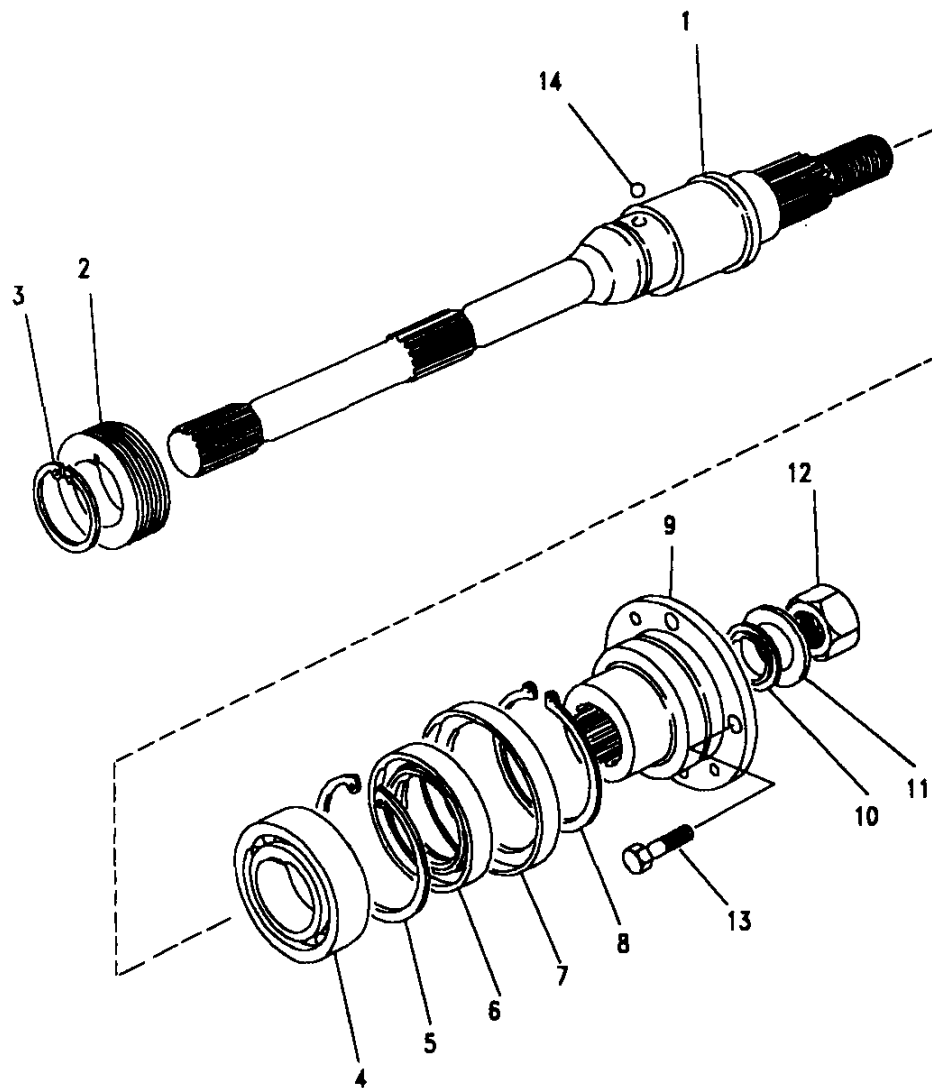
**Model** RANGE ROVER 1992 onwards  
**Page** BDDGIA1A

**TRANSFER GEARBOX - MAINSHAFT - BORG WARNER**

III. Part No.	Description	Qty	Remarks
1 RTC6561	Mainshaft	1	
2 RTC6040	Ring retaining	1	
3 RTC6039	Dowel-retaining plate	1	
4 RTC6038	Circlip	1	
5 RTC6037	Circlip	1	
6 RTC6018	Bearing	1	







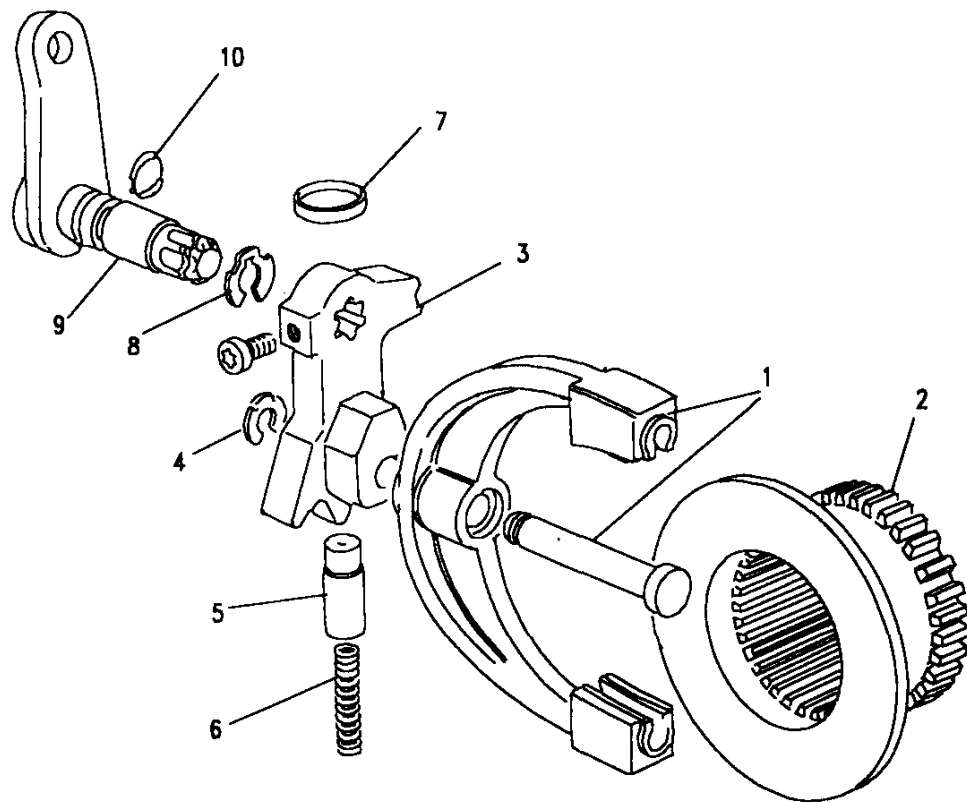
**Model** RANGE ROVER 1992 onwards  
**Page** BDDGIA2A

**TRANSFER GEARBOX - OUTPUT SHAFT - BORG WARNER**

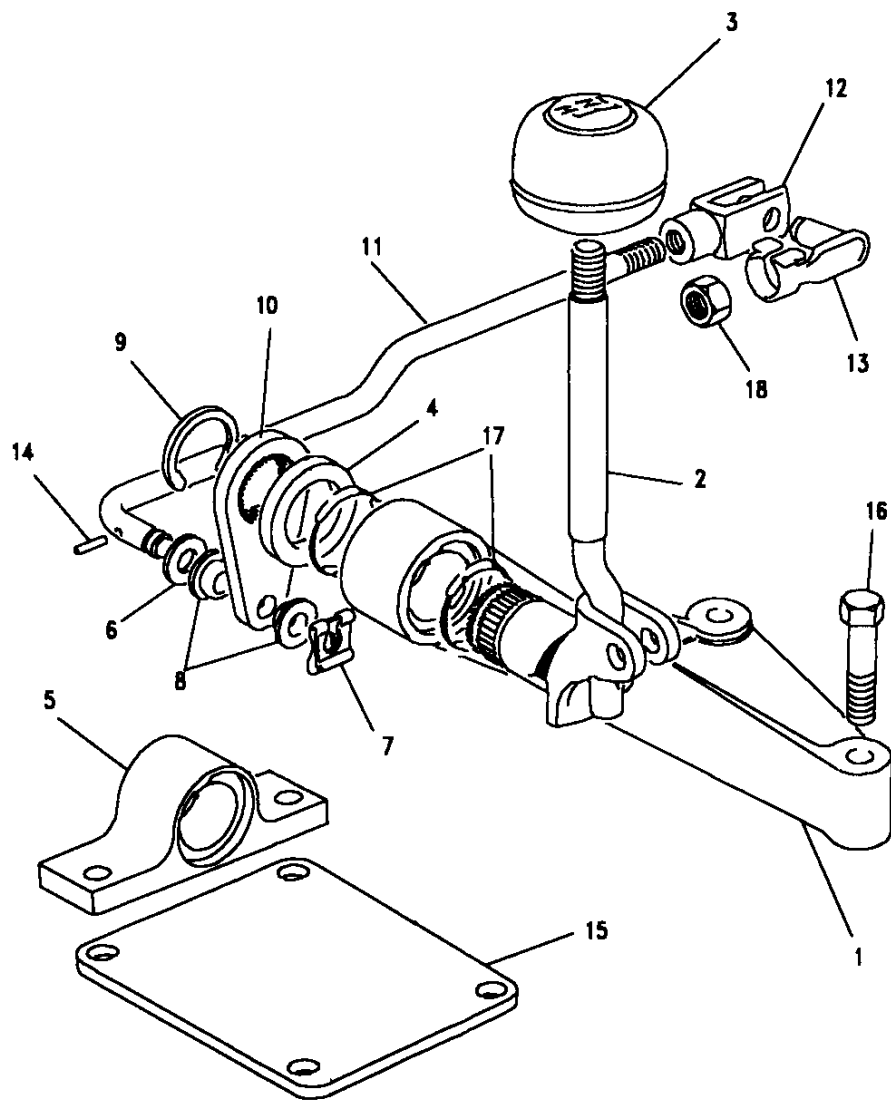
III. Part No.	Description	Qty	Remarks
1	FTC657	1	Shaft output
2	RTC6026	1	Worm speedo
3	RTC6028	1	Circlip
4	RTC3406	1	Bearing
5	216962	1	Circlip
6	FRC7043	1	Seal oil
7	571970	1	Shield oil
8	571682	1	Circlip
9	FRC5438	1	Flange rear
10	FRC2464	1	Washer felt
11	571468	1	Washer
12	NY120041L	1	Nut
13	FRC3602	4	Bolt
14	RTC6027	1	Ball steel 5mm Grade 10

**Model** RANGE ROVER 1992 onwards  
**Page** BDDGKA1A

**TRANSFER GEARBOX - HIGH/LOW - BORG WARNER**



III. Part No.	Description	Qty	Remarks
1	RTC6057	1	Fork & pin assy
2	RTC6092	1	Collar shift reduction
3	RTC6032	1	Selector detent lever
4	RTC6035	1	Ring retainer
5	RTC5996	1	Plunger detent
6	RTC5998	1	Spring
7	RTC6036	1	Plug blanking
8	RTC6049	1	Ring clip
9	RTC6029	1	Lever shift assembly
10	RTC6031	1	Seal oil



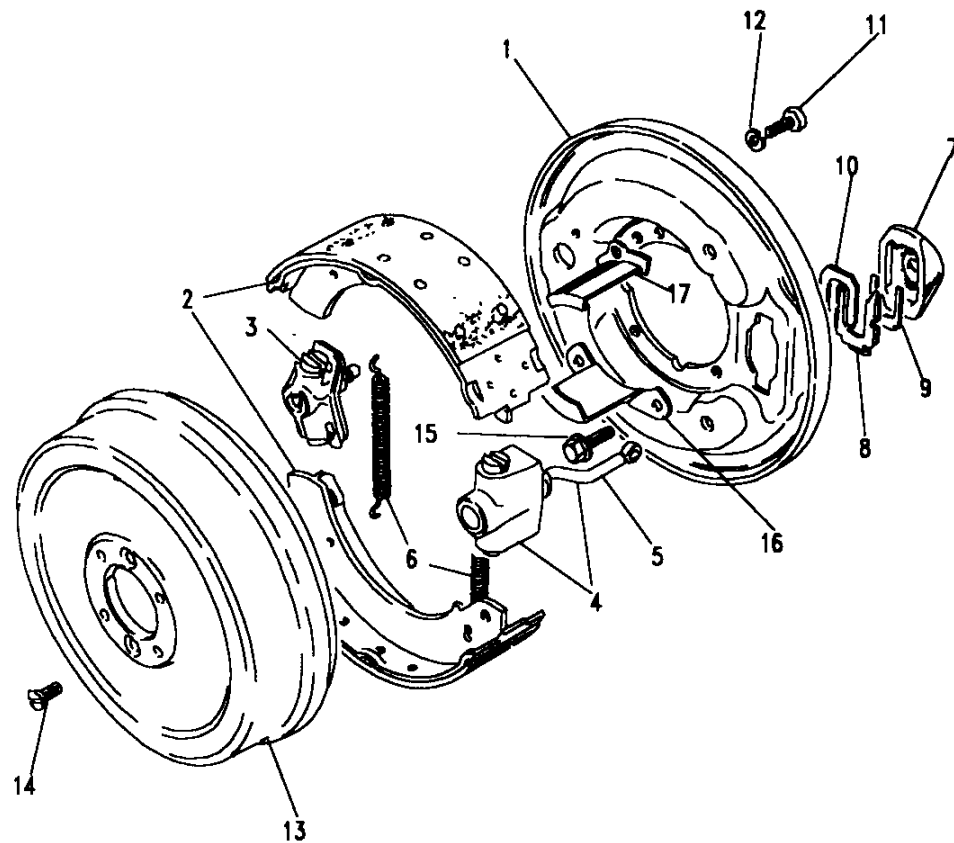
**Model** RANGE ROVER 1992 onwards  
**Page** BDDGMA1A

**TRANSFER GEARBOX - GEARCHANGE - BORG WARNER**

III. Part No.	Description	Qty	Remarks
1	FTC623	1	Housing/gearchange
	FTC2145	1	Housing/gearchange
2	FTC625	1	Gear lever & bracket assy
	FTC3445	1	Lever transfer
	FTC2890	1	Solenoid - Interlock
	FTC2146	1	Pin locking- Interlock
	FTC4110	1	Pin locking
3	FTC1242RUN	1	Knob gear lever
	FTC3200	1	Knob gear lever-4.2 LWB
	BTR9922	1	Knob transfer lever
4	FTC622	1	Spacer
	FTC3903	2	Spacer
5	FTC624	1	Carrier-pivot sleeve
6	WA108051L	1	Washer plain M8
7	FRC8548	2	Clip safety
8	FRC4499	4	Bush pivot
9	FRC8825	1	Circlip
10	FTC1045	1	Arm operating high/low
11	FTC580	1	Rod connecting
	FTC3449	1	Rod connecting
12	FRC9796	1	Clevis
13	FRC9797	1	Clip retaining
	ETC7884	1	Clip retaining
	FRC8547	1	Pin clevis
	FRC8548	1	Clip clevis
14	FRC8394	1	Pin spring
15	FRC8816	1	Plate sealing
16	FB108081	2	Bolt
17	FTC839	2	O ring
18	NT108041L	1	Nut-M8 locknut

**Model** RANGE ROVER 1992 onwards  
**Page** BDDGRA1A

**TRANSFER GEARBOX - BORG WARNER - TRANSMISSION BRAKE**



Ill. Part No.	Description	Qty	Remarks
<b>Up to 36D22144A</b>			
1	STC963 Backplate	1	
2	STC965 Brake shoe kit	1	
3	STC244 Adjuster assembly	1	
	STC245 Kit adjuster	1	
4	AEU2734 Expander assembly	1	
5	STC964 Drawlink	1	
6	STC246 Spring-shoe return set	1	
7	515466 Cover dust	1	
8	515467 Plate locking	1	
9	515470 Plate packing	1	
10	515468 Plate spring	1	
11	AEU2737 Screw	2	
12	AEU2738 Washer	2	
13	FRC3502 Drum brake	1	
14	SA108201L Screw	2	
15	AFU1400 Bolt-fixing brake	4	
16	FRC8093 Catcher oil	1	
17	FTC547 Catcher oil	1	

Model RANGE ROVER 1992 onwards

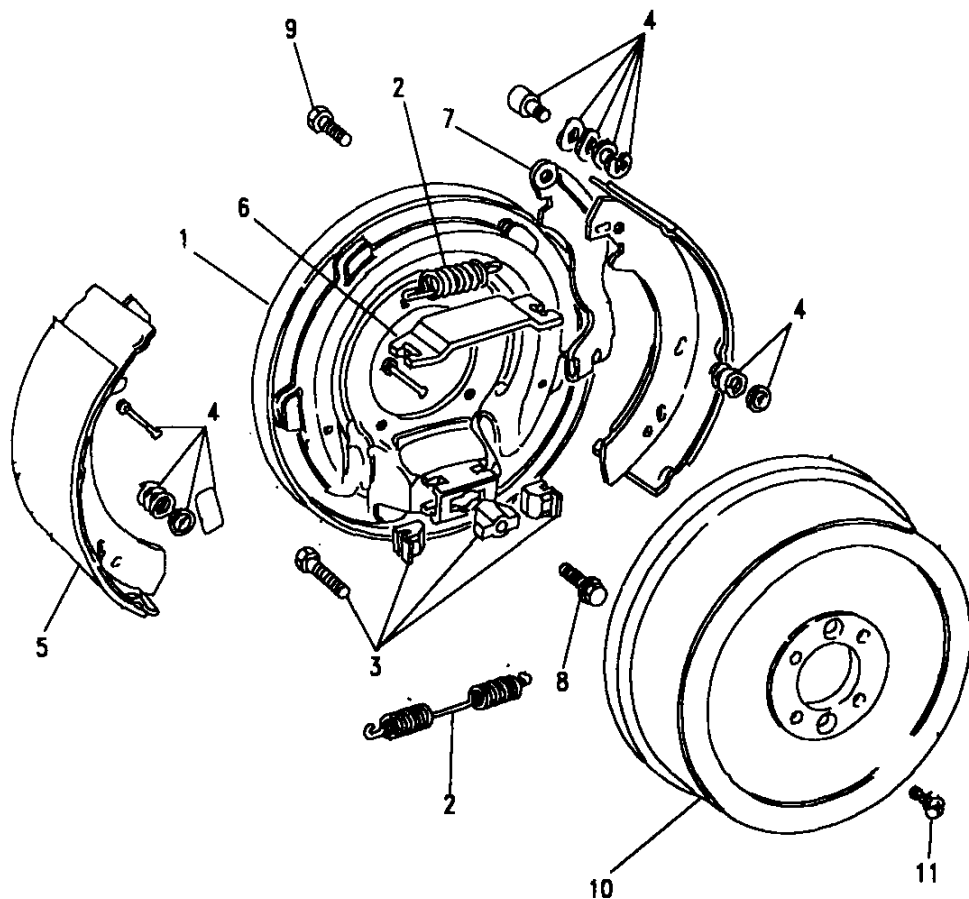
Page BDDGRA2A

TRANSFER GEARBOX - BORG WARNER - TRANSMISSION BRAKE

III. Part No. Description Qty Remarks

From 36D22145A - Petrol

Part No.	Description	Qty	Remarks
1	STC1534	1	Backplate
2	STC1526	1	Kit brake springs
3	STC1527	1	Kit adjuster brake
4	STC1532	1	Kit brake shoe retention
5	STC1525	1	Brake shoe kit
6	STC1536	1	Cross shaft
7	STC1538	1	Lever brake shoe
8	AFU1400	4	Bolt
9	SF108201L	2	Screw
10	FRC3502	1	Drum brake
11	SA108201	2	Screw



**Model** RANGE ROVER 1992 onwards  
**Page** BDDGRA2A

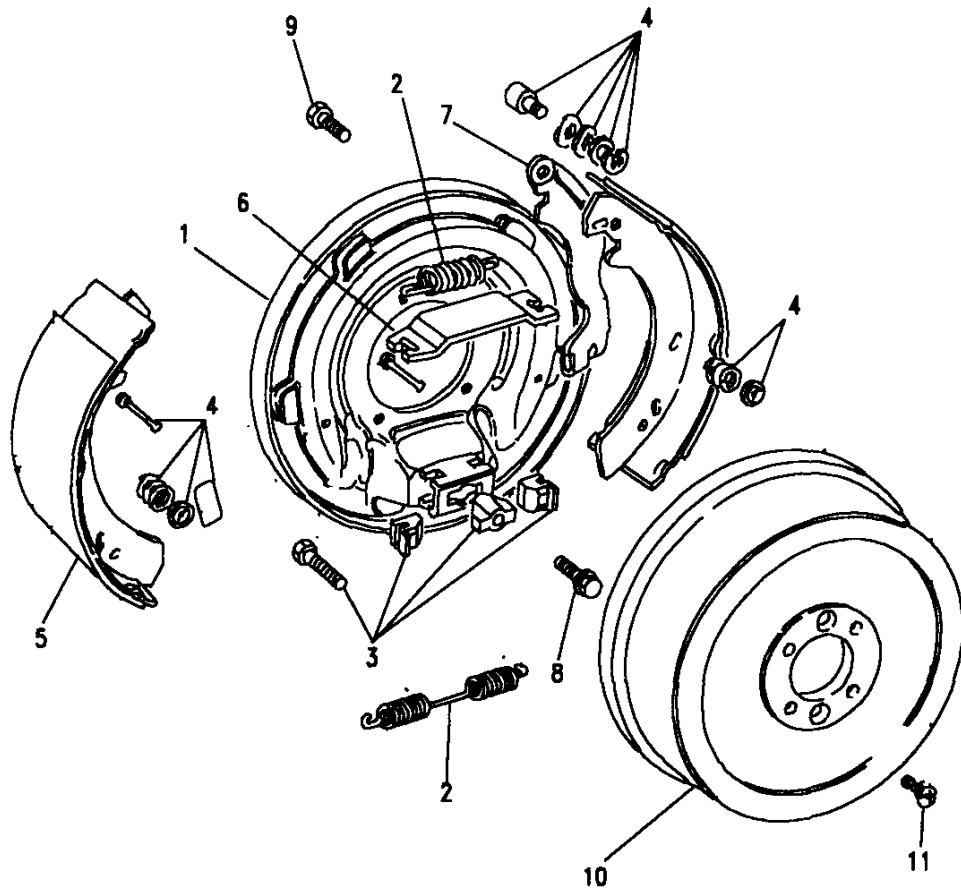
**TRANSFER GEARBOX - BORG WARNER - TRANSMISSION BRAKE**

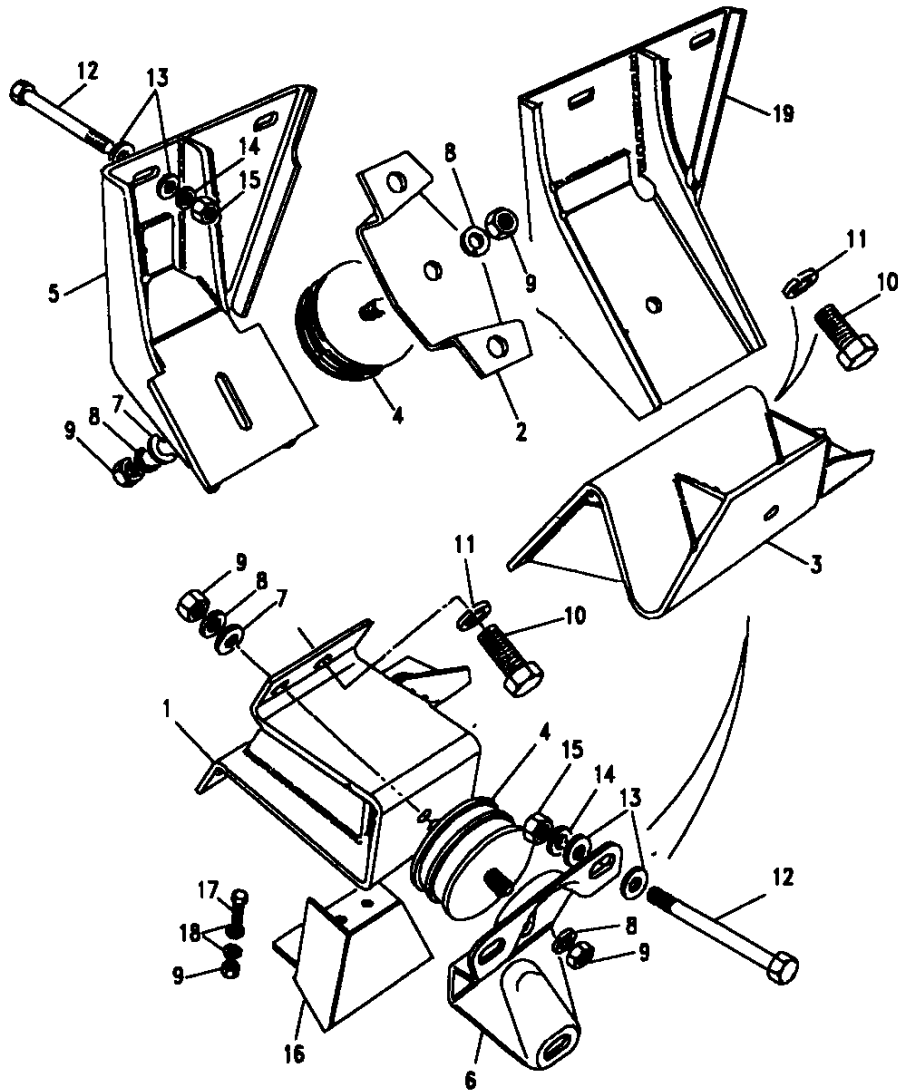
**III. Part No. Description Qty Remarks**

**From 36D22145A - Diesel**

Part No.	Description	Qty	Remarks
1	STC1534	1	Note(1)
	STC1793	1	Note(2)
2	STC1526	1	Note(1)
	STC1792	1	Note(2)
3	STC1527	1	
4	STC1532	1	
5	STC1525	1	
6	STC1536	1	
7	STC1538	1	
8	AFU1400	4	
9	SF108201L	2	
10	FRC3502	1	
11	SA108201	2	

Note(1) Up to LA647644 - Engine Serial No 22L00362A  
 Note(2) From MA647645 - Engine Serial No 22L00363A





**Model** RANGE ROVER 1992 onwards  
**Page** BDDGTA1A

**TRANSFER GEARBOX - MOUNTING BRACKETS - BORG WARNER**

III. Part No.	Description	Qty	Remarks
1	NTC4474	1	Note(1)
	ANR2821	1	Note(2)
2	NTC7269	1	Note(1)
	ANR2823	1	Note(2)
3	NRC6528	1	Note(1)
	ANR2817	1	Note(2)
4	NTC5890	2	Note(1)
	ANR2805	2	Note(2)
5	NRC7136	1	Note(1,3)
	ANR2818	1	Note(2,3)
6	90575585	1	Note(1)
	ANR2820	1	Note(2)
7	WA110061L	2	
8	WM600061L	4	
9	NH606041L	6	
10	SH112252L	6	
11	WL112001L	6	
12	BH108201L	6	
13	WA108051L	12	
14	WL108001L	6	
15	NH108041L	6	
16	NTC4255	1	
17	SH106061L	2	
18	WA106041L	2	
19	NTC4985	1	Note(1,4)
	ANR2822	1	Note(2,4)

Note(1) Up to LA647644  
 Note(2) From MA647645  
 Note(3) Used on 3.5 AUTO only  
 Note(4) Used on 3.5 MANUAL and 3.9 AUTO only

MASTER INDEX

	PAGES
INTRODUCTION PAGES	1 - 3
ALPHABETICAL INDEX	4 - 9
ENGINE	10 - 50
ENGINE	51 - 88
ENGINE	89 - 133
ENGINE	134 - 172
GEARBOX	173 - 194
GEARBOX	195 - 211
GEARBOX	212 - 238
TRANSFER BOX	239 - 252
AXLES AND SUSPENSION	253 - 313
STEERING	314 - 332
VEHICLE AND ENGINE CONTROLS	333 - 343
BRAKES	344 - 374
FUEL SYSTEM AND AIR CLEANER	375 - 401
EXHAUST SYSTEM	402 - 409
COOLING/HEATING	410 - 456
BODY ELECTRICAL	457 - 574
BODY AND CHASSIS	575 - 681
INTERIOR TRIM	682 - 772
SEATS	773 - 843
SEATS	844 - 862
STOWAGE	863 - 865
ACCESSORIES - PAINTS	866 - 893
NUMERICAL INDEX	895 - 958

GROUP E

AXLES AND SUSPENSION

AXLES AND SUSPENSION	
PROPELLER SHAFT FRONT.	255
PROPELLER SHAFT REAR.	256
FRONT AXLE - NON ELECTRONIC AIR SUSPENSION	257 - 258
FRONT AXLE - WITH ELECTRONIC AIR SUSPENSION	259
AXLE CASING - NON ELECTRONIC AIR SUSPENSION	260
AXLE CASING - WITH ELECTRONIC AIR SUSPENSION	261
DIFFERENTIAL.	262
DIFFERENTIAL	263
DIFFERENTIAL CASE	264 - 265
DRIVE SHAFTS NON ABS UP TO JA624516	266
DRIVE SHAFTS NON ABS FROM JA624517	267 - 268
DRIVE SHAFTS - WITH ABS.	269 - 270
SWIVEL PIN HOUSING - NON ABS.	271 - 272
SWIVEL PIN HOUSING - NON ABS	273
SWIVEL PIN HOUSING - WITH ABS.	274 - 275
SWIVEL PIN HOUSING - WITH ABS	276
HUBS & DRIVING SHAFTS NON ABS TO JA624516	277
HUBS & DRIVING SHAFT - FROM JA624517	278
HUBS AND DRIVING SHAFTS - WITH ABS.	279
REAR AXLE ASSEMBLY.	280
REAR AXLE CASE.	281 - 282
DIFFERENTIAL.	283 - 284
DIFFERENTIAL CASE	285 - 286
HUBS & DRIVING SHAFT NON ABS UP TO JA624516	287
HUBS AND DRIVING SHAFTS NON ABS FROM JA624517	288 - 289
HUBS AND DRIVING SHAFTS - WITH ABS.	290 - 292
ROAD WHEELS.	293 - 295
PANHARD ROD	296
RADIUS ARM.	297
SPRINGS & DAMPERS.	298 - 299
FRONT AIR SPRINGS & DAMPERS.	300
ANTI-ROLL BAR & SHOCK ABSORBER.	301 - 302
TOP LINK AND BUSH.	303
SPRINGS & BOTTOM LINK.	304 - 305
SHOCK ABSORBERS - NON ANTI ROLL BAR	306
REAR AIR SPRINGS & DAMPERS.	307
ANTI-ROLL BAR & SHOCK ABSORBER.	308 - 309
SELF LEVELLING UNIT.	310





RANGE ROVER 1992 onwards

254

AXLES AND SUSPENSION

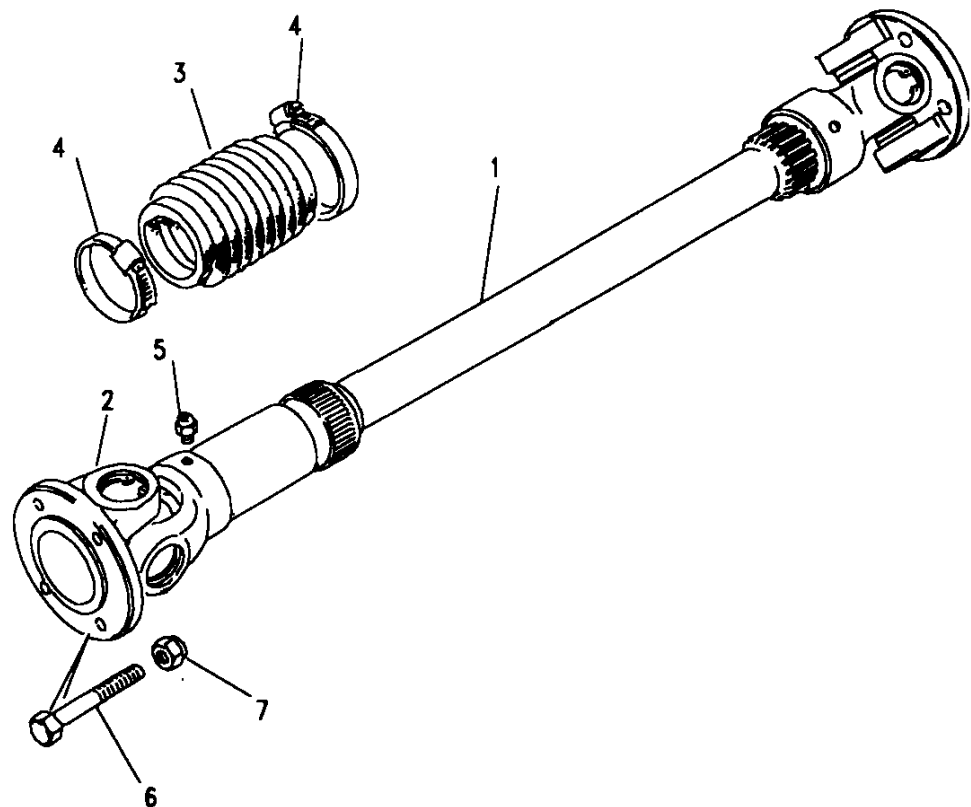
AIR SUPPLY & CONTROL UNITS.  
RESERVOIR ASSEMBLY.  
AIR HARNESS.

311  
312  
313

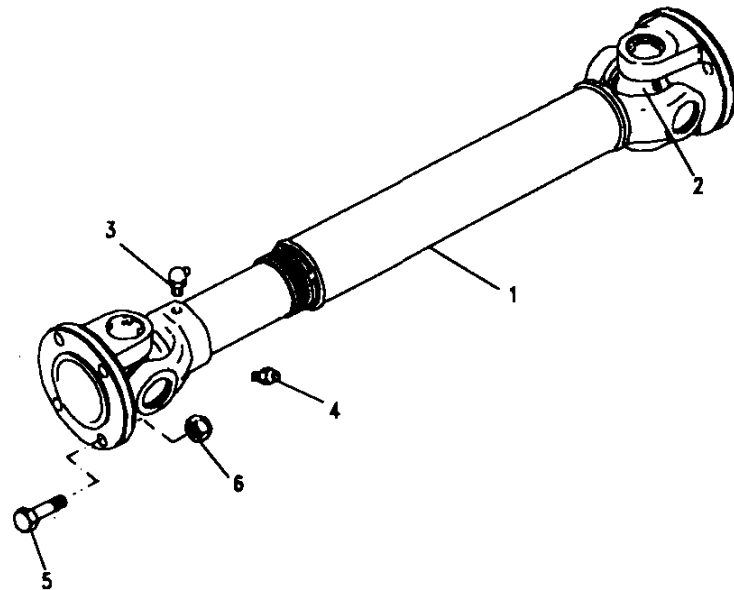
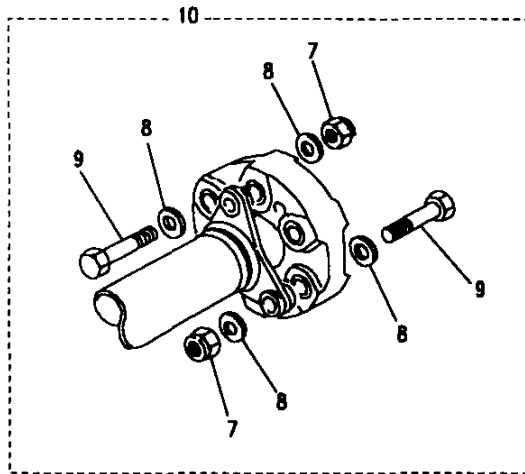


**Model** RANGE ROVER 1992 onwards  
**Page** BDEXAA1A

**FRONT AXLE - PROPELLER SHAFT FRONT.**



III. Part No.	Description	Qty	Remarks
1 FRC9542	Propeller shaft front	1	Petrol
FTC122	Propeller shaft front	1	Diesel
2 RTC4587	Universal joint	2	
3 276483	Gaiter	1	
4 CN100508	Clip	2	
5 549229	Nipple grease	2	
6 509045P	Bolt	4	
7 NZ606041L	Nut	8	



**Model** RANGE ROVER 1992 onwards  
**Page** BDEXAC1A

**REAR AXLE - PROPELLER SHAFT REAR.**

Ill. Part No.	Description	Qty	Remarks
1 FRC8387	Propeller shaft rear	1	Note(1)
FTC3705	Propeller shaft rear	1	Note(2)
2 RTC4587	Universal joint	2	
3 276201	Nipple grease	1	
4 549229	Nipple grease	2	
5 509045P	Bolt	8	
6 NZ606041L	Nut	8	
7 NV112041L	Nut	3	}
8 FTC4044	Washer M12	6	
9 FTC4043	Bolt M12 X 65	3	}
10 STC2794	Rubber coupling kit	1	

**108" L.W.B only.**

1 FRC8389	Propeller shaft rear	1	Note(1)
FTC3910	Propeller shaft rear	1	Note(2)
2 RTC3458	Universal joint	2	
3 234532	Nipple grease	1	
4 549229	Nipple grease	2	
5 509045P	Bolt	8	
6 NZ606041L	Nut	8	
7 NV112041L	Nut	3	}
8 FTC4044	Washer M12	6	
9 FTC4043	Bolt M12 65	3	}
10 STC2794	Rubber coupling kit	1	

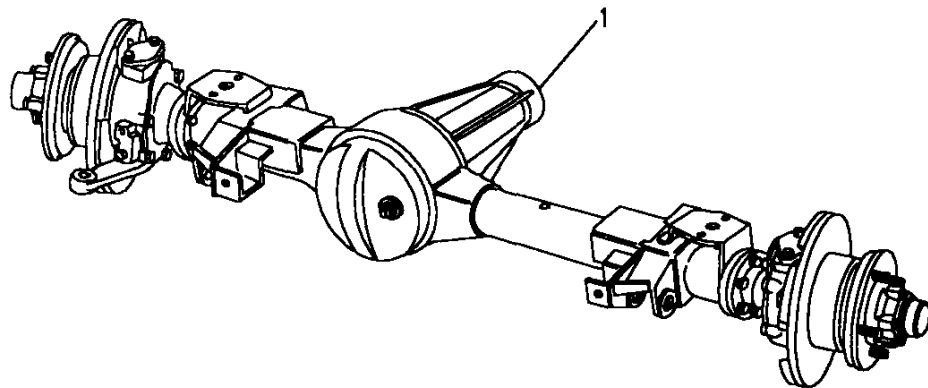
Note(1) Up to LA647644  
 Note(2) From MA647645

**Model** RANGE ROVER 1992 onwards  
**Page** BDEXCA1A

**FRONT AXLE - FRONT AXLE - NON ELECTRONIC AIR SUSPENSION**

III. Part No.	Description	Qty	Remarks
<b>Petrol - non ABS - RHS</b>			
1 FTC2510	Axle assembly front	1	Note(1)
FTC3088	Axle assembly front	1	Note(2)
<b>Petrol - non ABS - LHS</b>			
FTC2511	Axle assembly front	1	Note(1)
FTC3089	Axle assembly front	1	Note(2)
<b>Petrol - with ABS - RHS</b>			
FTC2512	Axle assembly front	1	
<b>Petrol - with ABS - LHS</b>			
FTC2513	Axle assembly front	1	
<b>Diesel - non ABS - RHS</b>			
FTC1929	Axle assembly front	1	Note(1)
FTC3086	Axle assembly front	1	Note(2)
<b>Diesel - non ABS - LHS</b>			
FTC1935	Axle assembly front	1	Note(1)
FTC3087	Axle assembly front	1	Note(2)

Note(1) Up to JA624755  
 Note(2) From KA624756

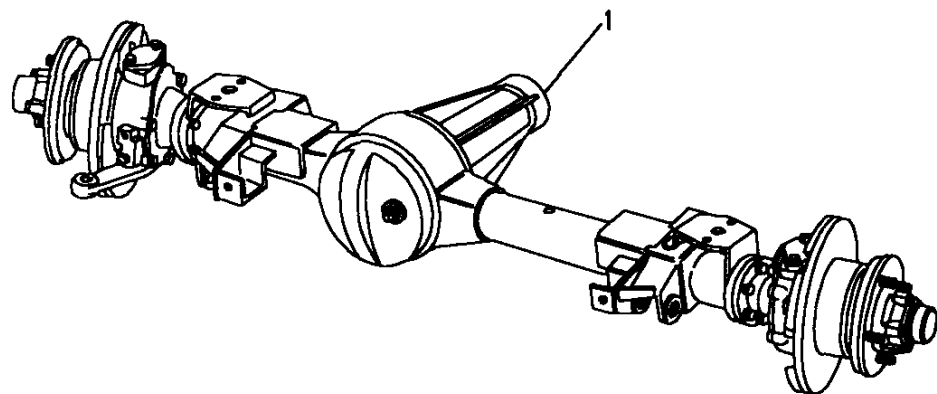


**Model** RANGE ROVER 1992 onwards

**Page** BDEXCA1A

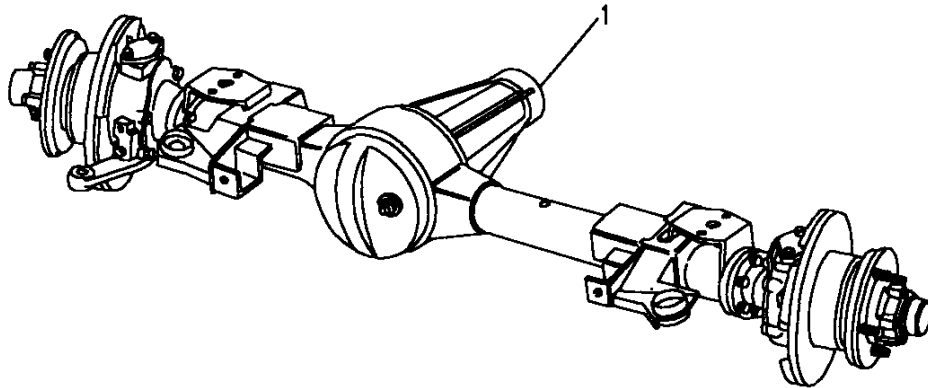
**FRONT AXLE - FRONT AXLE - NON ELECTRONIC AIR SUSPENSION**

III. Part No.	Description	Qty	Remarks
<b>Diesel - with ABS - RHS</b> FTC1926	Axle assembly front	1	
<b>Diesel - with ABS - LHS</b> FTC1927	Axle assembly front	1	
<b>108" L.W.B with A.B.S. - RHS</b> FTC2512	Axle assembly front	1	
<b>108" L.W.B with A.B.S. - LHS</b> FTC2513	Axle assembly front	1	



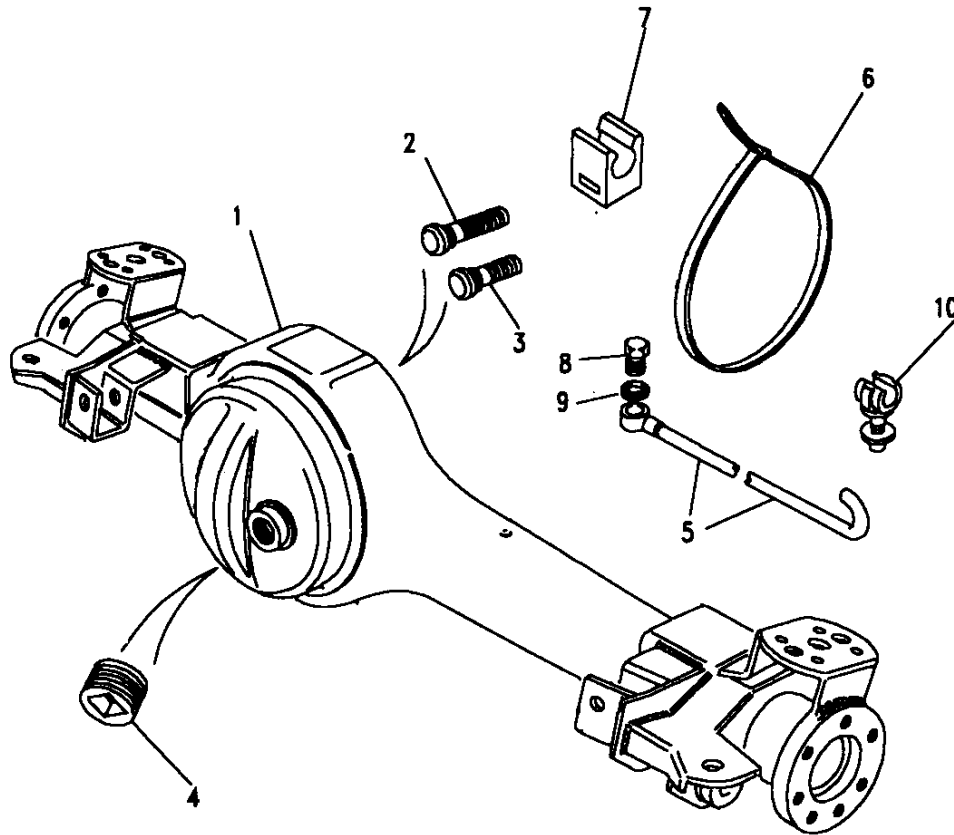
**Model** RANGE ROVER 1992 onwards**Page** BDEXCA2A**FRONT AXLE - FRONT AXLE - WITH ELECTRONIC AIR SUSPENSION**

III. Part No.	Description	Qty	Remarks
<b>Petrol - RHS - non ABS</b> FTC3085	Axle assembly front	1	
<b>Petrol - LHS - non ABS</b> FTC3084	Axle assembly front	1	
<b>Petrol - RHS - with ABS.</b> FTC3122	Axle assembly front	1	
<b>Petrol - LHS - with ABS.</b> FTC3121	Axle assembly front	1	



**Model** RANGE ROVER 1992 onwards  
**Page** BDEXCC1A

**FRONT AXLE - AXLE CASING - NON ELECTRONIC AIR SUSPENSION**



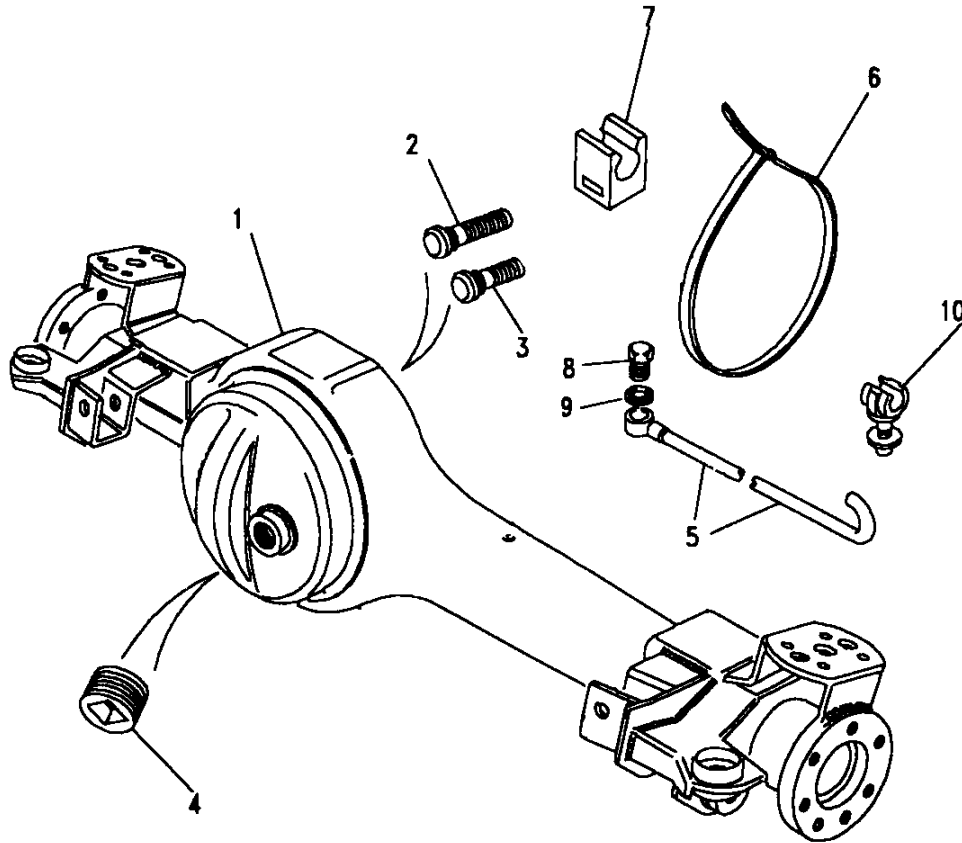
III. Part No.	Description	Qty	Remarks
<b>Petrol only.</b>			
1 FTC2509	Case axle front	1	NLA Note(3) use FTC4417
FTC4417	Case axle front	1	Note(4)
<b>Diesel only.</b>			
FTC2223	Case axle front	1	Note(3)
FTC4413	Case axle front	1	Note(4)
<b>All variants</b>			
2 561196	Stud	6	
3 561195	Stud	4	Note(1)
561196	Stud	4	Note(2)
4 608246	Filler plug	1	
5 FTC2175	Breather	1	
6 594594	Cable tie	1	
7 NRC9246	Clip pipe	3	
8 595478	Bolt banjo	1	
9 232039	Washer copper	2	
10 79121	Clip pipe	1	

Note(1) Up to 51L09372B & 42L35994A  
 Note(2) From 51L09373B & 42L35995A  
 Note(3) Up to 54L00100A,55L01153A,56L06513A,57L10283A.  
 Note(4) From 54L00101A,55L01154A,56L06514A,57L10284A.

**Model** RANGE ROVER 1992 onwards  
**Page** BDEXCC2A

**FRONT AXLE - AXLE CASING - WITH ELECTRONIC AIR SUSPENSION**

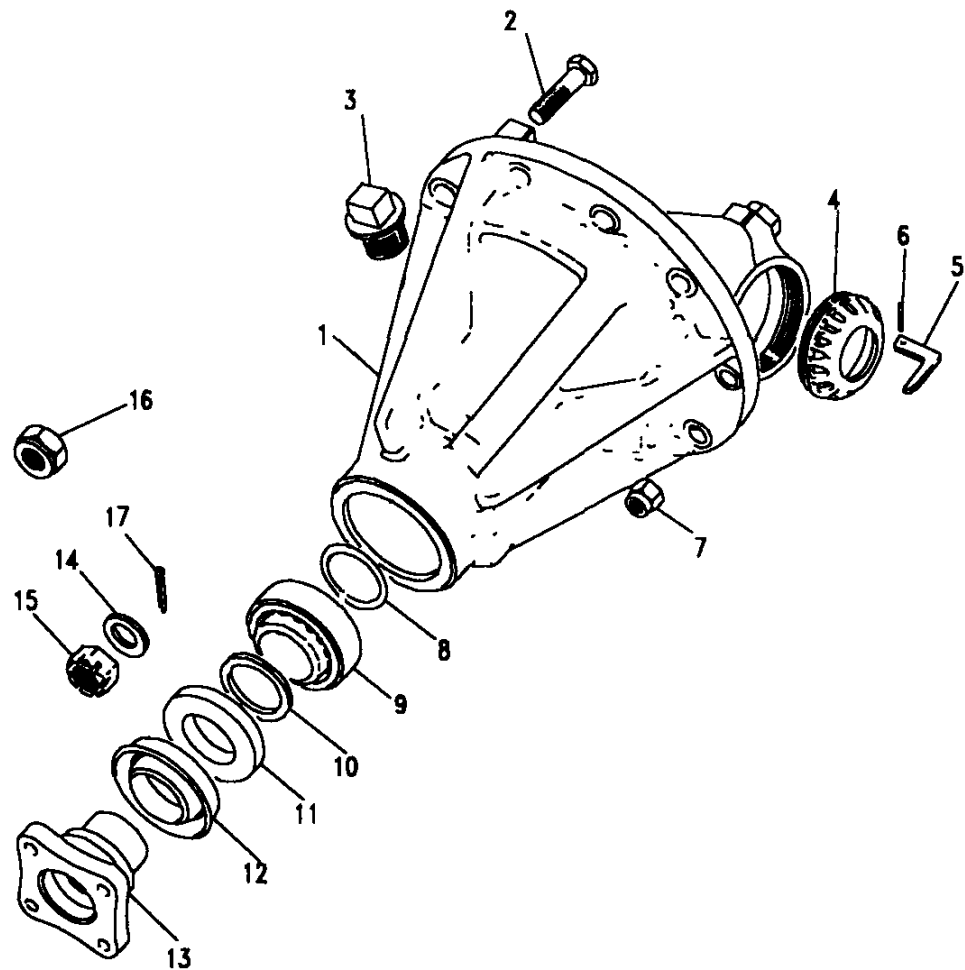
III. Part No.	Description	Qty	Remarks
1 FTC3118	Case axle front	1	
<b>All variants</b>			
2 561196	Stud	6	
3 561195	Stud	4	
4 608246	Filler plug	1	
5 FTC2175	Breather	1	
6 594594	Cable tie	1	
7 NRC9246	Clip pipe	3	
8 595478	Bolt banjo	1	
9 232039	Washer copper	2	
10 79121	Clip pipe	1	





**Model** RANGE ROVER 1992 onwards  
**Page** BDEXCE1A

**FRONT AXLE - DIFFERENTIAL.**



III. Part No.	Description	Qty	Remarks
FTC782R	Differential assembly	1	Rebuilt.
FTC1709N	Differential assembly	1	Note(1)
FTC2750	Differential assembly	1	Note(2)
FTC2750R	Differential assembly	1	Rebuild
FTC3272	Differential assembly	1	Note(3)
FTC3272R	Differential assembly	1	Rebuild
1 FRC4112	Housing pinion	1	
2 BH112101L	Bolt	4	
3 608246	Plug filler	1	
4 FRC5204	Ring locking	2	
5 FRC5661	Tab locking	2	
6 576159	Spring pin	2	
7 NY606041L	Nut	10	

**Selective Shim - tall pinion bearing - A/R**

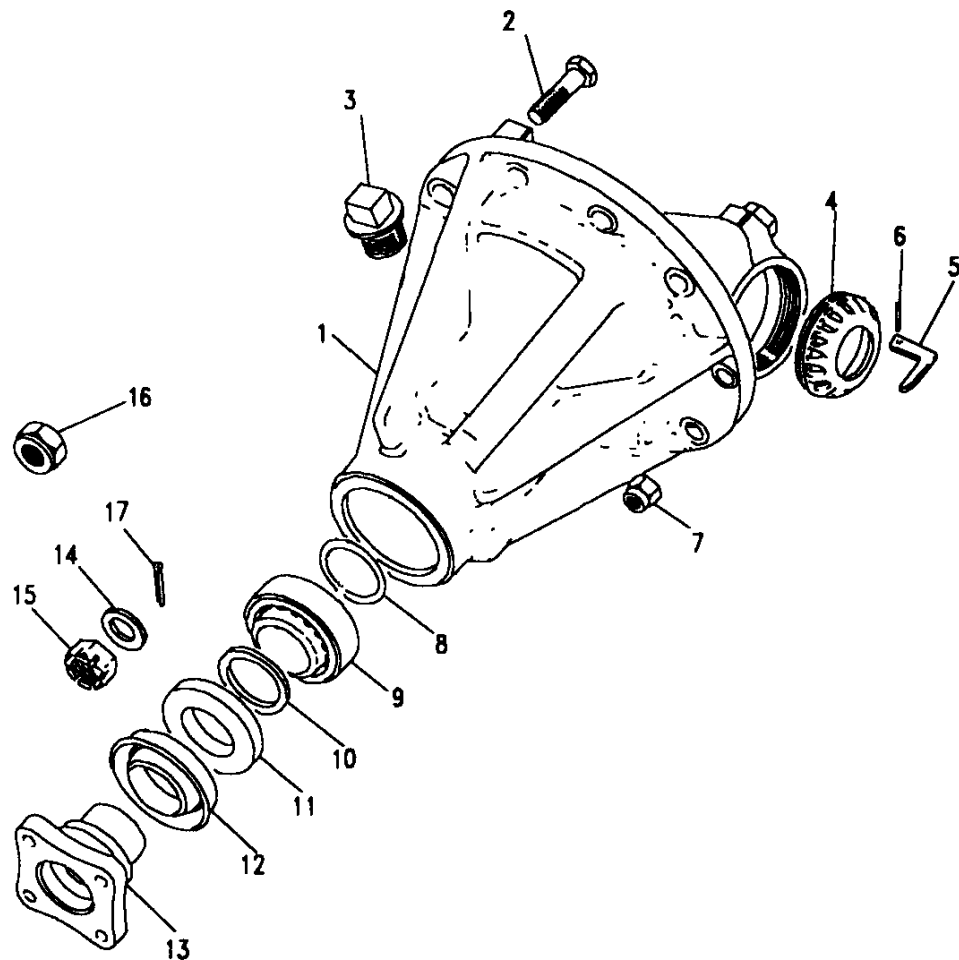
8 FTC3869	2.155mm
FTC3871	2.105mm
FTC3873	2.080mm
FTC3875	2.005mm
FTC3877	1.955mm
FTC3879	1.905mm
FTC3881	1.855mm
FTC3883	1.805mm
FTC3885	1.755mm
FTC3887	1.705mm
FTC3889	1.655mm
FTC3891	1.605mm
FTC3893	1.555mm
FTC3895	1.505mm

Note(1) Up to JA623679  
 Note(2) From JA623680 up to KA637567  
 Note(3) From KA637568

Model RANGE ROVER 1992 onwards

Page BDEXCE1A

FRONT AXLE - DIFFERENTIAL

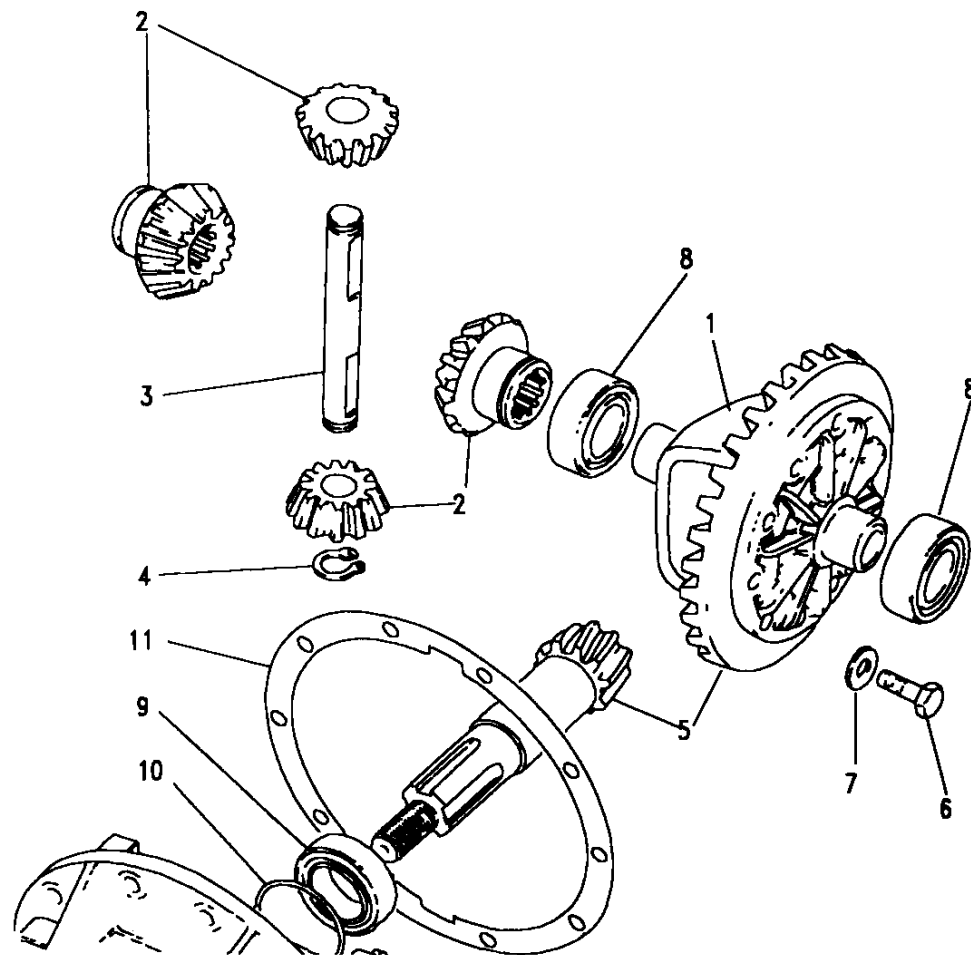


III. Part No.	Description	Qty	Remarks
9 539707	Bearing pinion	1	
10 539745	Spacer	1	
11 FRC8220	Oil seal	1	
12 FRC8154	Mud shield	1	
13 FRC3002	Flange	1	
14 90513454	Washer plain	1	
15 3259	Nut castle	1	Note(1)
16 NY116041L	Nut nyloc	1	Note(2)
17 PS608101L	Pin split	1	Note(3)

Note(1) Used with Differential assemblies FTC1709N and FTC2750.  
 Note(2) Use with Differential assembly FTC3272  
 Note(3) Not required on Differential FTC3272

**Model** RANGE ROVER 1992 onwards  
**Page** BDEXCG1A

**FRONT AXLE - DIFFERENTIAL CASE**



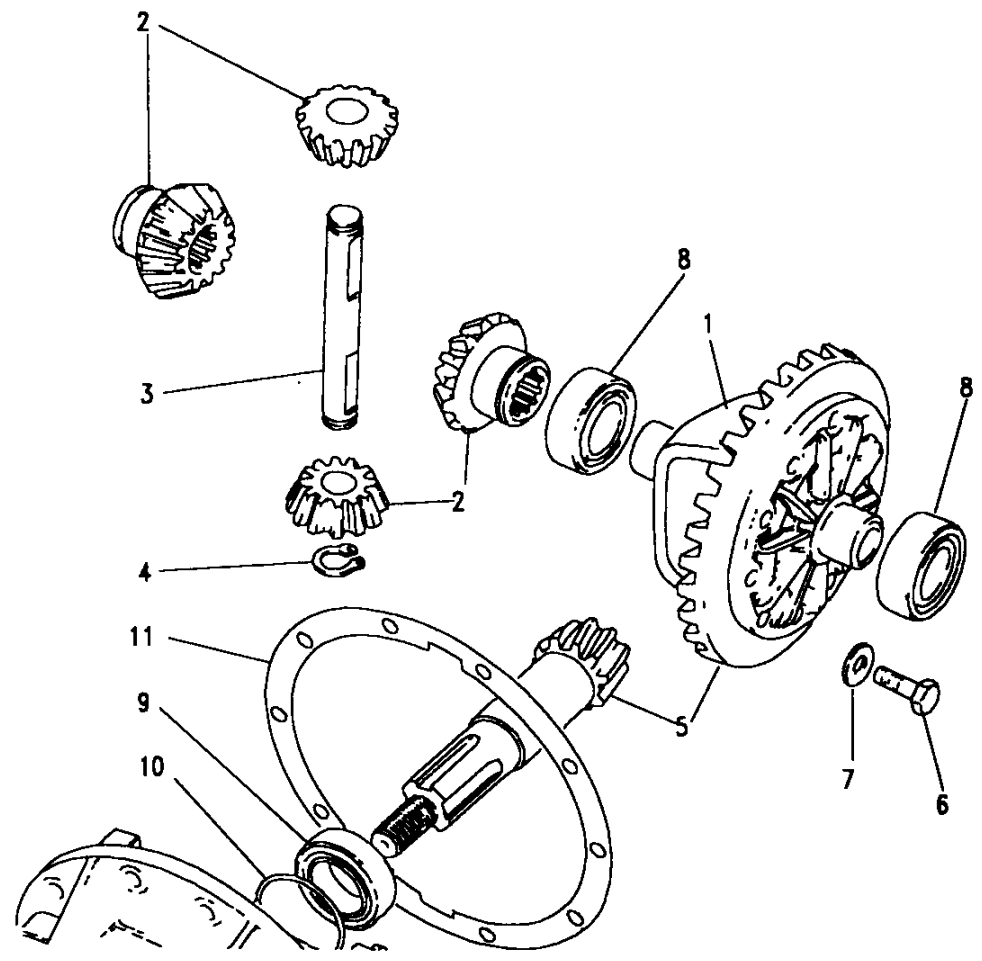
III. Part No.	Description	Qty	Remarks
1 FRC2933	Case differential	1	Note(1,2,3)
FTC3269	Case differential	1	Note(4,5,6)
2 STC851	Kit gear differential	1	Note(1,2,3)
FTC3267	Wheel differential	2	Note(4,5,6)
FTC3268	Pinion differential	2	Note(4,5,6)
3 599945	Cross shaft	1	
4 CCN110L	Circlip	2	
5 FTC781	Crown wheel and pinion	1	Note(1,2,3)
FTC3620	Crown wheel and pinion	1	Note(4,5,6)
6 593692	Bolt	10	Note(1,2,3)
FTC3586	Bolt	10	Note(4,5,6)
7 593693	Washer plain	10	
8 RTC2726	Bearing differential	2	Note(1,2,3)
RTC3095	Bearing differential	2	Note(4,5,6)
9 539706	Bearing pinion	1	

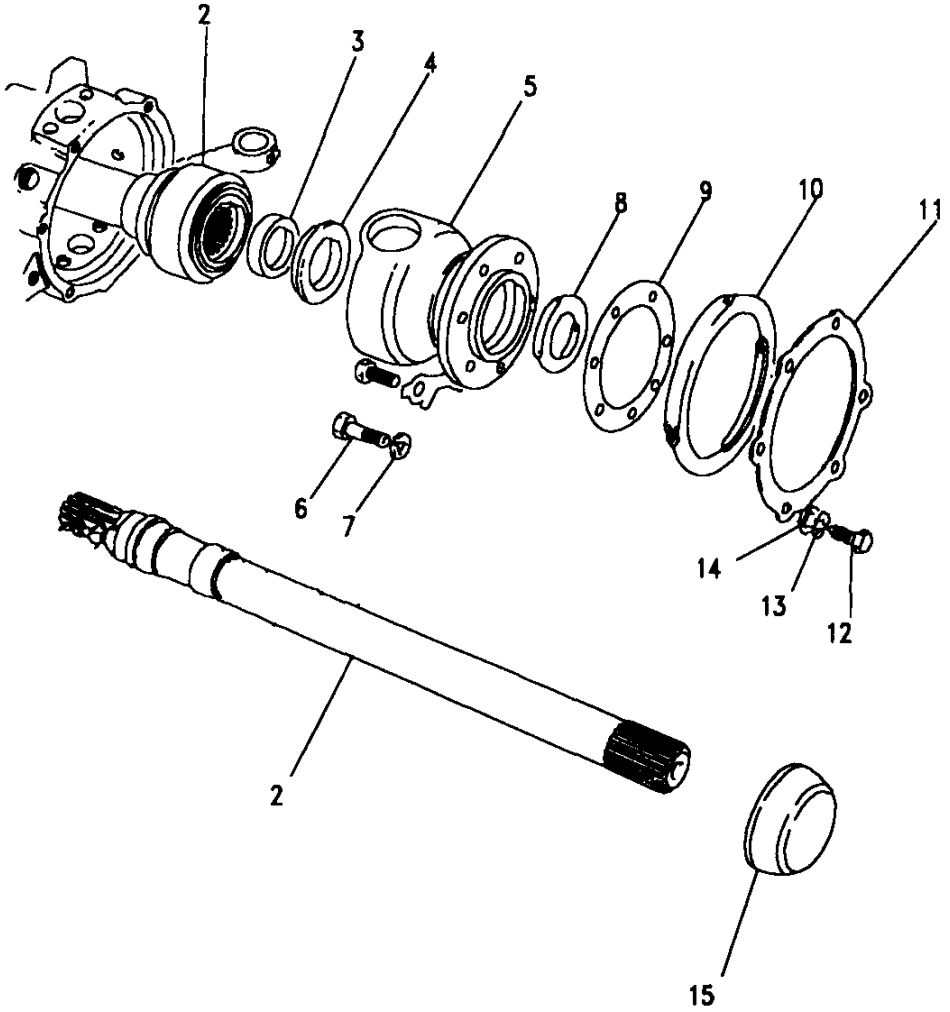
Note(1) Up to 46L11839C, 47L11587C, 48L05146C, 49L11363C, 50L00995C,  
 Note(2) 51L07997C, 52L00424C, 53L02087C, 54L00056B, 55L00497B  
 Note(3) 56L03430B, 57L05188B  
 Note(4) From 46L11840C, 47L11588C, 48L05147C, 49L11364C, 50L00996C,  
 Note(5) 51L07998C, 52L00425C, 53L02088C, 54L00057B, 55L00498B, 56L03431B,  
 Note(6) 57L05189B

**Model** RANGE ROVER 1992 onwards  
**Page** BDEXCG1A

**FRONT AXLE - DIFFERENTIAL CASE**

III. Part No.	Description	Qty	Remarks
<b>Selective Shim - pinion bearing head</b>			
10	FTC3853	1.548mm	A/R
	FTC3855	1.498mm	A/R
	FTC3857	1.448mm	A/R
	FTC3859	1.398mm	A/R
	FTC3861	1.348mm	A/R
	FTC3863	1.298mm	A/R
	FTC3865	1.248mm	A/R
	FTC3867	1.198mm	A/R
11	7316	Washer joint	1





Model RANGE ROVER 1992 onwards  
 Page BDEXC11A

FRONT AXLE - DRIVE SHAFTS NON ABS UP TO JA624516

Ill. Part No.	Description	Qty	Remarks
FRC9518	Halfshaft assembly RH	1	) Note(1)
FRC9519	Halfshaft assembly LH	1	
FTC2880	Halfshaft assembly RH	1	
FTC2881	Halfshaft assembly LH	1	) Note(2)
1 RTC5840	Halfshaft front RH	1	
RTC5842	Halfshaft front LH	1	
2 RTC5843	CV joint	2	
3 RTC5841	Spacer	2	
4 571822	Sleeve	2	
5 FRC7065	Housing bearing	2	
6 FRC8528	Bolt M10	14	
7 FRC8530	Washer plain	14	
8 571718	Oil seal	2	
9 FRC2349	Washer joint	2	
10 FTC3401	Oil seal	2	) Note(3)
11 571755	Joint washer	2	
12 255205	Bolt	12	
13 WM600041L	Washer spring	12	
14 WA106041L	Washer plain	12	
15 FTC943	Cap hub	2	

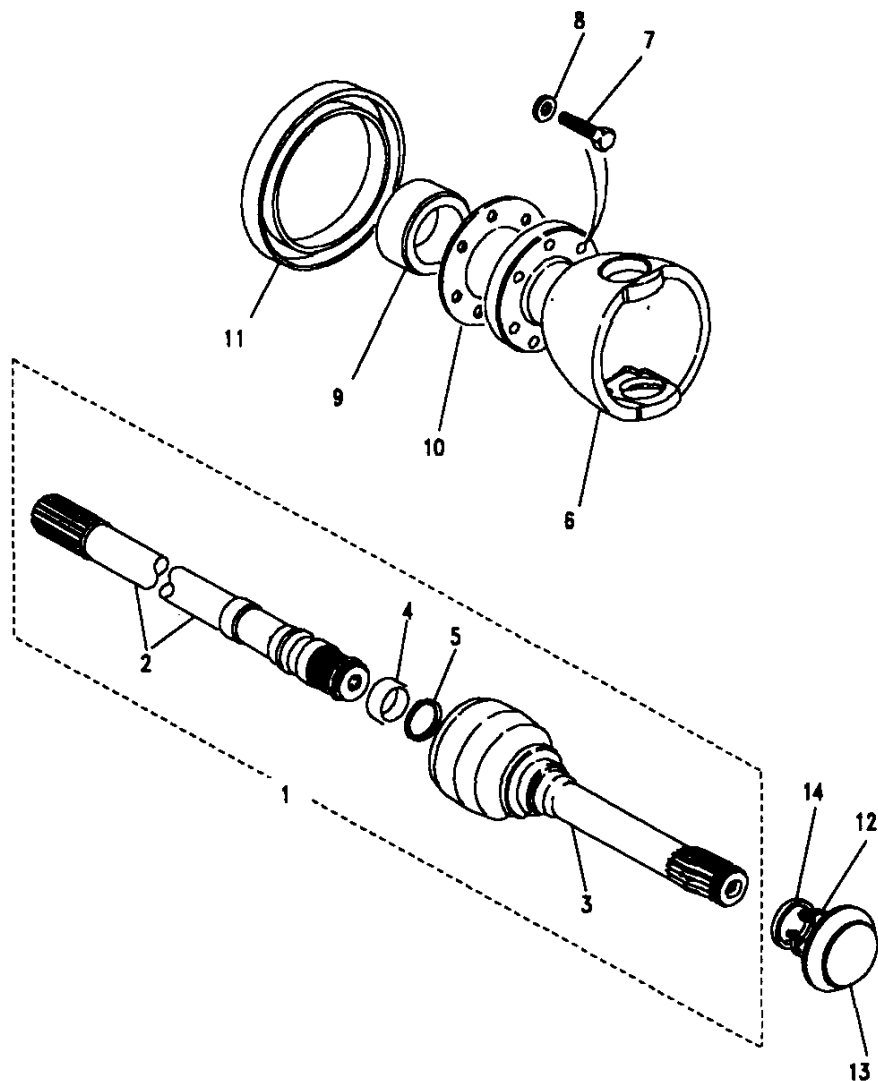
Note(1) Up to JA624755  
 Note(2) From KA624756  
 Note(3) See technical information lft 170/93

**Model** RANGE ROVER 1992 onwards  
**Page** BDEXCI3A

**FRONT AXLE - DRIVE SHAFTS NON ABS FROM JA624517**

Ill. Part No.	Description	Qty	Remarks
1	FTC2880	1	
	FTC2881	1	
	FTC3148	1	)
	FTC3149	1	Note(2,3)
2	Halfshaft front RH	1	Not serviced
	Halfshaft front LH	1	Not serviced
3	CV joint	2	Not serviced
4	Spacer	2	Not serviced
5	STC579	1	
6	FRC7065	2	
7	FTC3456	12	
	FTC3454	2	
8	FRC8530	14	
9	571718	2	
10	FRC2349	2	
11	FTC3401	2	Note(1)
12	549473	2	
13	FTC943	2	

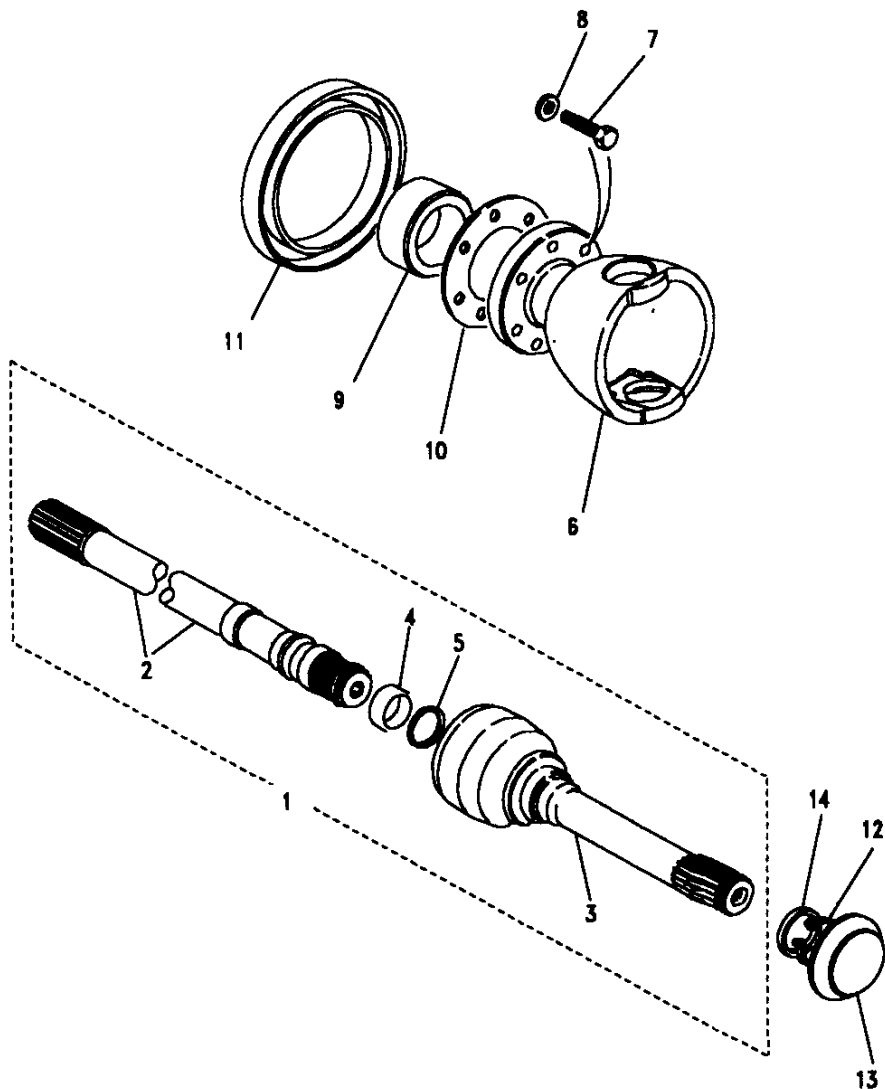
Note(1) See technical information lft 170/93  
 Note(2) From 46L11840C, 47L11588C, 50L00996C, 51L07997C, 54L00057B, 55L00498B,

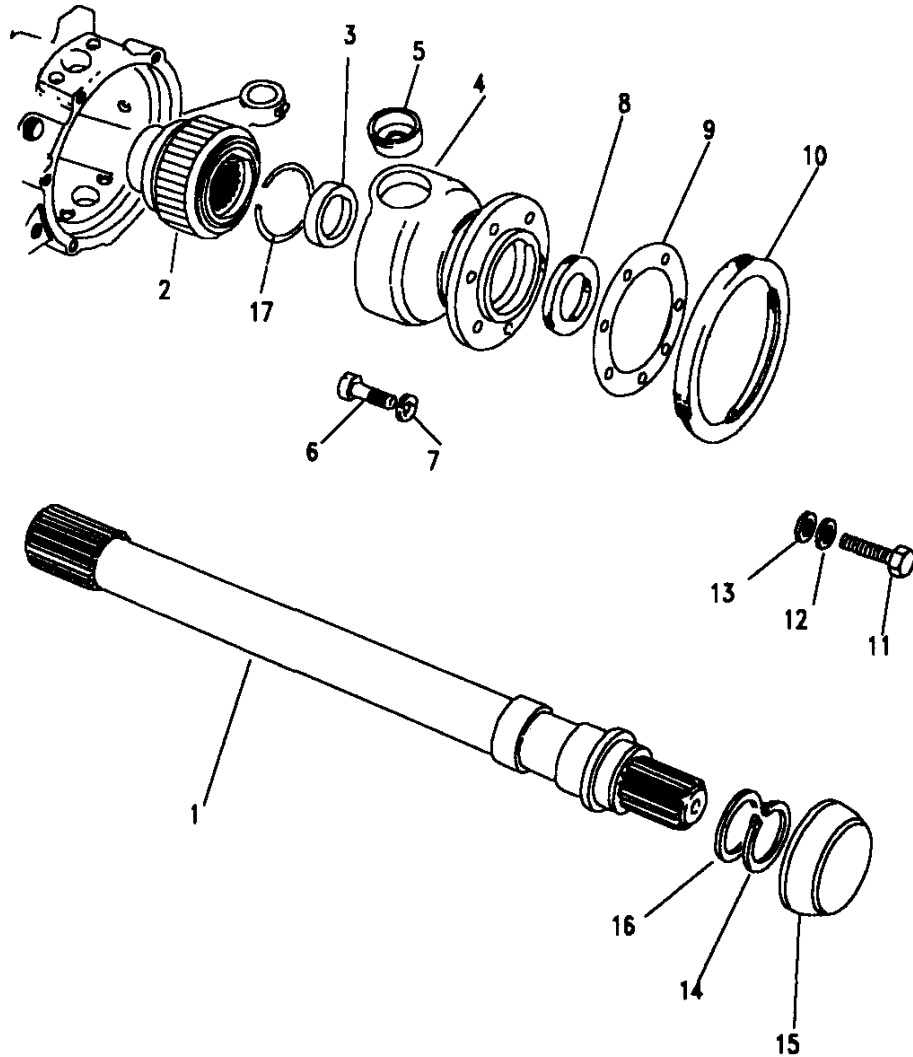


**Model** RANGE ROVER 1992 onwards  
**Page** BDEXCI3A

**FRONT AXLE - DRIVE SHAFTS NON ABS FROM JA624517**

III. Part No.	Description	Qty	Remarks
14	FRC6782 Shim 0.450	1	
	FRC6783 Shim 0.600	1	
	FRC6784 Shim 0.750	1	
	FRC6785 Shim 0.900	1	
	FRC6786 Shim 1.050	1	
	FRC6787 Shim 1.200	1	
	FRC6788 Shim 1.350	1	
	FRC6789 Shim 1.500	1	
	FRC6790 Shim 1.650	1	





**Model** RANGE ROVER 1992 onwards  
**Page** BDEXCI2A

**FRONT AXLE - DRIVE SHAFTS - WITH ABS.**

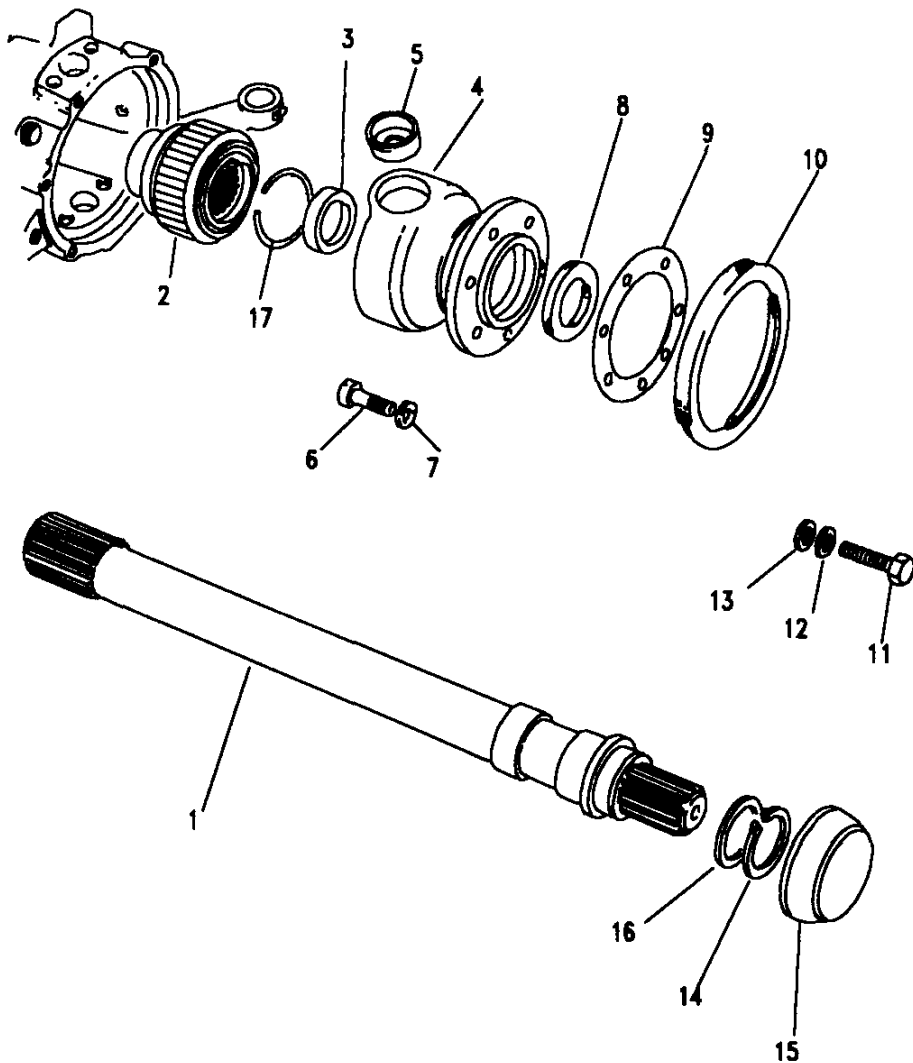
III. Part No.	Description	Qty	Remarks
FTC862	Halfshaft assembly RH	1 )	
FTC863	Halfshaft assembly LH	1 )	Note(2)
FTC3147	Halfshaft assembly LH	1 )	
FTC3146	Halfshaft assembly RH	1 )	Note(3)
1 RTC6754	Halfshaft front RH	1 )	
RTC6755	Halfshaft front LH	1 )	
2 RTC6811	Constant velocity joint	2 )	
3 RTC5841	Spacer	2 )	Note(2,4)
4 FRC2644	Housing bearing	2	
5 FTC125	Bush swivel pin	2	
6 FRC8528	Bolt M10	12	
6 FTC3456	Bolt swivel housing	12	
FTC3454	Bolt swivel housing	2	
7 FRC8530	Washer plain	14	
8 571718	Oil seal	2	
9 FRC2349	Washer joint	2	
10 FTC3401	Oil seal	2	Note(1)

Note(1) See technical information lft 170/93  
 Note(2) Up to 48L05146C, 49L11363C, 52L00424C, 53L02087C, 56L03430B, 57L05188B  
 Note(3) From 48L05147C, 49L11364C, 52L00425C, 53L02088C, 56L03431B, 57L05189B  
 Note(4) Used with FTC862 and FTC863 only.

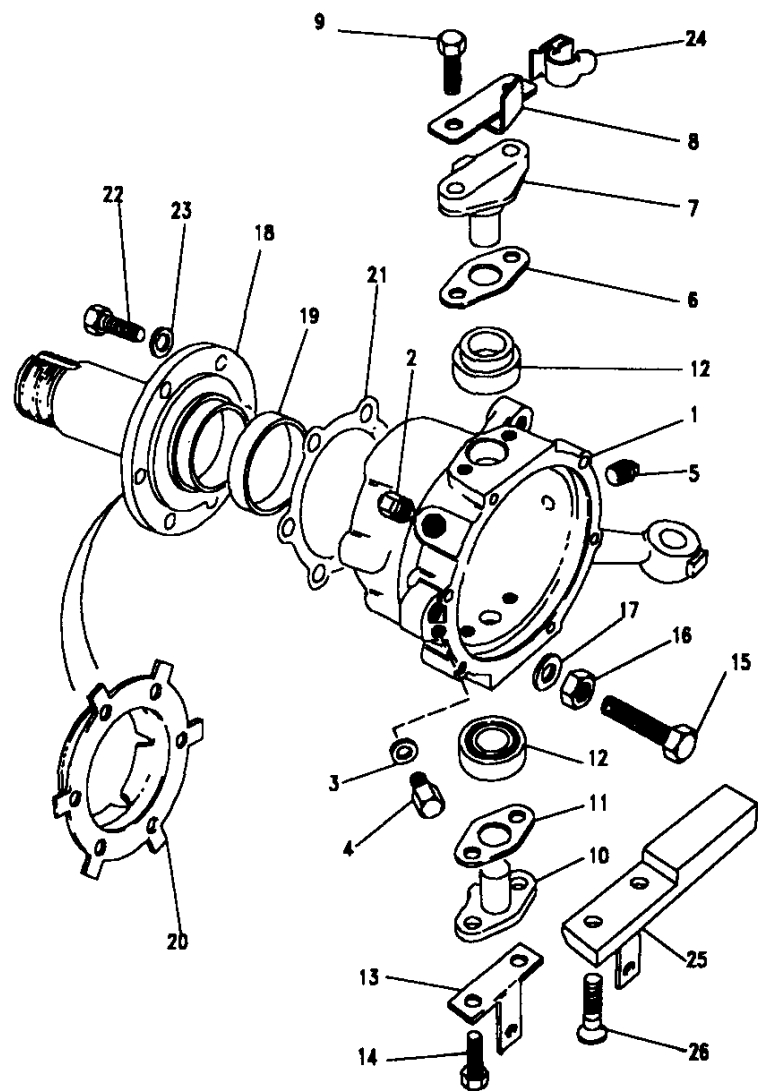


**Model** RANGE ROVER 1992 onwards  
**Page** BDEXCI2A

**FRONT AXLE - DRIVE SHAFTS - WITH ABS.**



III. Part No.	Description	Qty	Remarks
11	255205 Bolt	12	
12	WM600041L Washer spring	12	
13	WA106041L Washer plain	12	
14	549473 Circlip	2	
15	FTC943 Cap hub	2	
16	FRC6782 Shim 0.450	A/R	
	FRC6783 Shim 0.600	A/R	
	FRC6784 Shim 0.750	A/R	
	FRC6785 Shim 0.900	A/R	
	FRC6786 Shim 1.050	A/R	
	FRC6787 Shim 1.200	A/R	
	FRC6788 Shim 1.350	A/R	
	FRC6789 Shim 1.500	A/R	
	FRC6790 Shim 1.650	A/R	
17	STC579 Circlip	1	

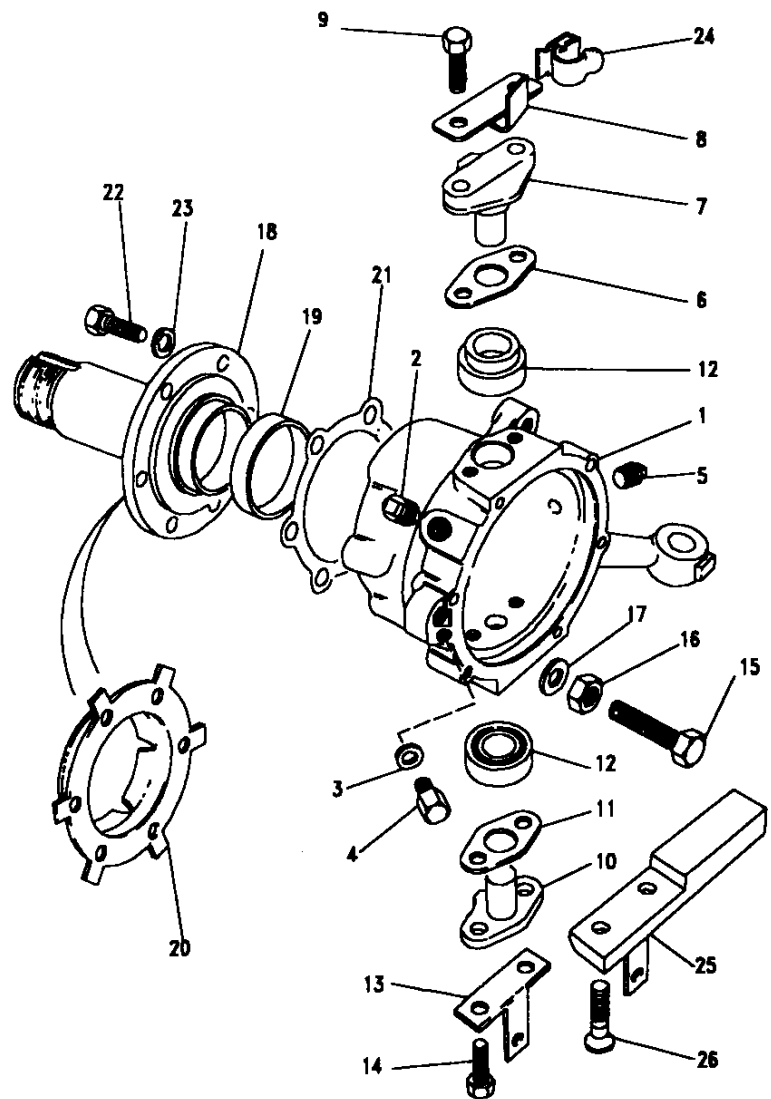


**Model** RANGE ROVER 1992 onwards  
**Page** BDEXCK1A

**FRONT AXLE - SWIVEL PIN HOUSING - NON ABS.**

III. Part No.	Description	Qty	Remarks
<b>RHS</b>			
1	STC150	1	)
	STC151	1	)Note(1)
	FTC2520	1	)
	FTC2521	1	)Note(2)
	FTC2524	1	)
	FTC2525	1	)Note(3)
	FTC3309	1	)
	FTC3308	1	)Note(4)
<b>LHS</b>			
	STC152	1	)
	STC153	1	)Note(1)
	FTC2522	1	)
	FTC2523	1	)Note(2)
	FTC2526	1	)
	FTC2527	1	)Note(3)
	FTC3311	1	)
	FTC3310	1	)Note(4)
<b>All variants</b>			
2	3292	1	
3	230511	1	
4	236070	1	
5	3289	1	
	FTC3670	1	Hex Head

Note(1) Up to JA615502.  
 Note(2) From JA615503 up to JA624516  
 Note(3) Up to JA624517 up to KA637587  
 Note(4) From KA637568

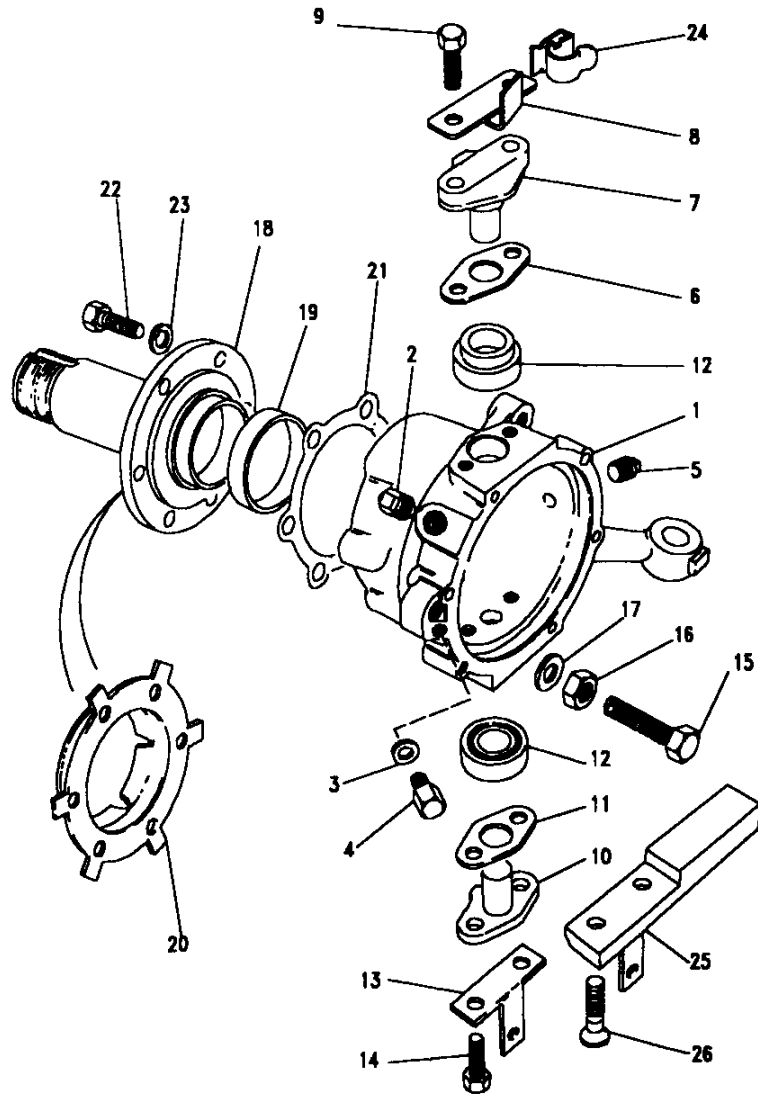


**Model** RANGE ROVER 1992 onwards  
**Page** BDEXCK1A

**FRONT AXLE - SWIVEL PIN HOUSING - NON ABS.**

Ill.	Part No.	Description	Qty	Remarks
6	571743	Shim 0.003	A/R	Note(1)
	571744	Shim 0.005	A/R	Note(1)
	571745	Shim 0.010	A/R	Note(1)
	571746	Shim 0.030	A/R	Note(1)
	FRC2883	Shim 0.075	A/R	Note(2)
	FRC2884	Shim 0.13	A/R	Note(2)
	FRC2885	Shim 0.25	A/R	Note(2)
	FRC2886	Shim 0.75	A/R	Note(2)
7	571756	Swivel pin upper	2	Note(1)
	FTC2882	Swivel pin upper	2	Note(2)
8	90576928	Clip	1	
9	SX607101	Bolt	4	Note(1)
	BX110071M	Bolt	4	Note(2)
10	571819	Swivel pin lower	2	Note(1)
	FRC2894	Swivel pin lower	1	Note(2)
11	571815	Washer joint	2	Note(1)
	FRC2897	Washer joint	1	Note(2)
12	606666	Bearing taper rolling	4	
13	576608	Lock washer	2	
14	255467	Bolt	4	Note(1)
	FB108061	Bolt	4	Note(2)
	WL108001L	Washer spring	4	Note(2)
15	SH112505	Bolt	2	
16	NT112041L	Nut	2	
17	WB112081L	Washer plain	4	

Note(1) Up to JA624516  
 Note(2) From JA624517

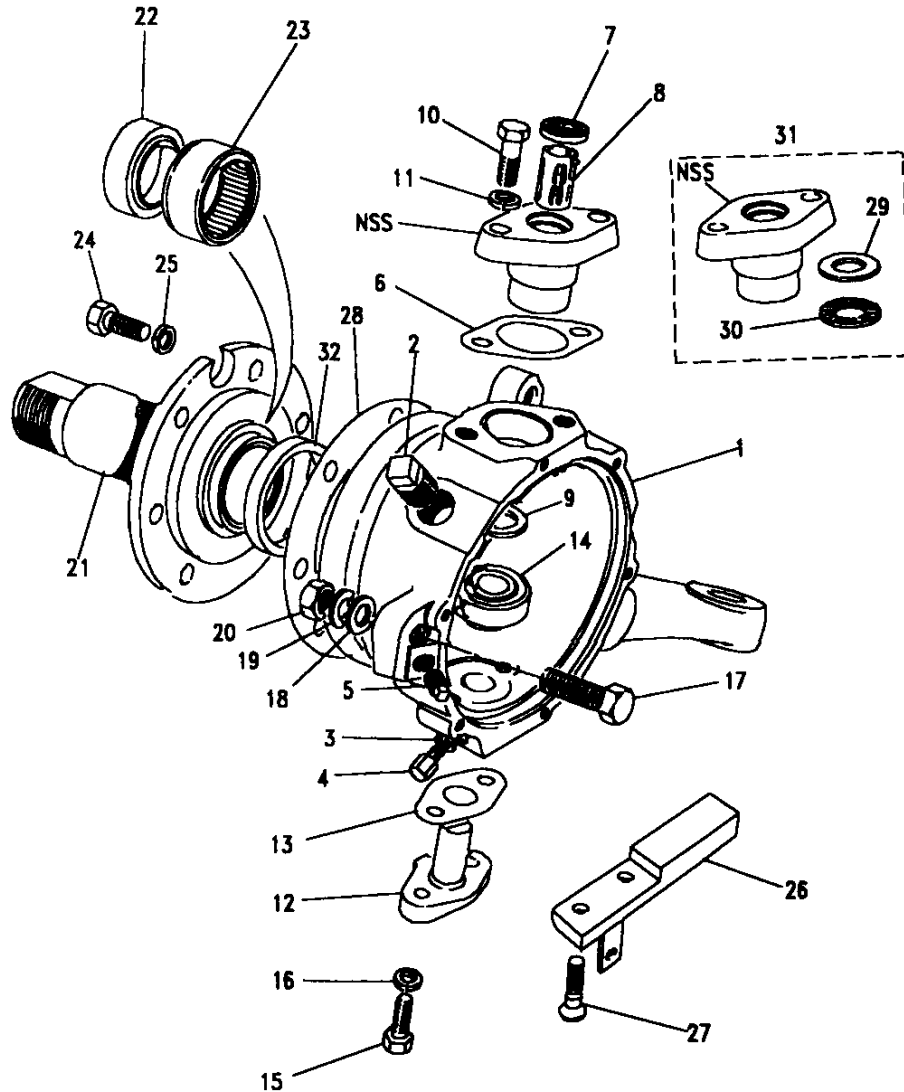


**Model** RANGE ROVER 1992 onwards  
**Page** BDEXCK1A

**FRONT AXLE - SWIVEL PIN HOUSING - NON ABS**

III. Part No.	Description	Qty	Remarks
18	FTC57	2	Note(1)
	FTC3183	2	Note(2)
	FTC840	2	Note(3)
	FTC3145	1	Note(4)
	FTC861	2	
19	FTC56	1	
20	FRC2310	2	
21	FRC3205	2	
	FTC3648	2	Asbestos free
22	SX110251	12	
23	WL110001L	12	
24	NTC6994	2	
25	FTC1620	1	
	FTC1621	1	
26	FTC1623	4	

Note(1) Up to JA624516  
 Note(2) From JA624517  
 Note(3) Up to 48L05146C, 49L11363C, 52L00424C, 53L02087C, 56L03430B, 57L05188B  
 Note(4) From 48L05147C, 49L11364C, 52L00425C, 53L02088C, 56L03431B, 57L05189B



**Model** RANGE ROVER 1992 onwards  
**Page** BDEXCK2A

**FRONT AXLE - SWIVEL PIN HOUSING - WITH ABS.**

III. Part No.	Description	Qty	Remarks
<b>RHS.</b>			
1	FTC1364	1	)
	FTC1365	1	)Note(1)
	FTC2524	1	)
	FTC2525	1	)Note(2)
	FTC3309	1	)
	FTC3308	1	)Note(3)
<b>LHS.</b>			
	FTC1366	1	)
	FTC1367	1	)Note(1)
	FTC2526	1	)
	FTC2527	1	)Note(2)
	FTC3311	1	)
	FTC3310	1	)Note(3)
<b>All variants</b>			
2	3292	2	
3	230511	2	
4	236070	2	
5	3289	2	
	FTC3670	2	
6	FRC2883	2	Hex Head
	FRC2884	2	
	FRC2885	2	
	FRC2886	2	
7	FTC1376	1	
8	FTC1374	1	
9	FTC124	2	

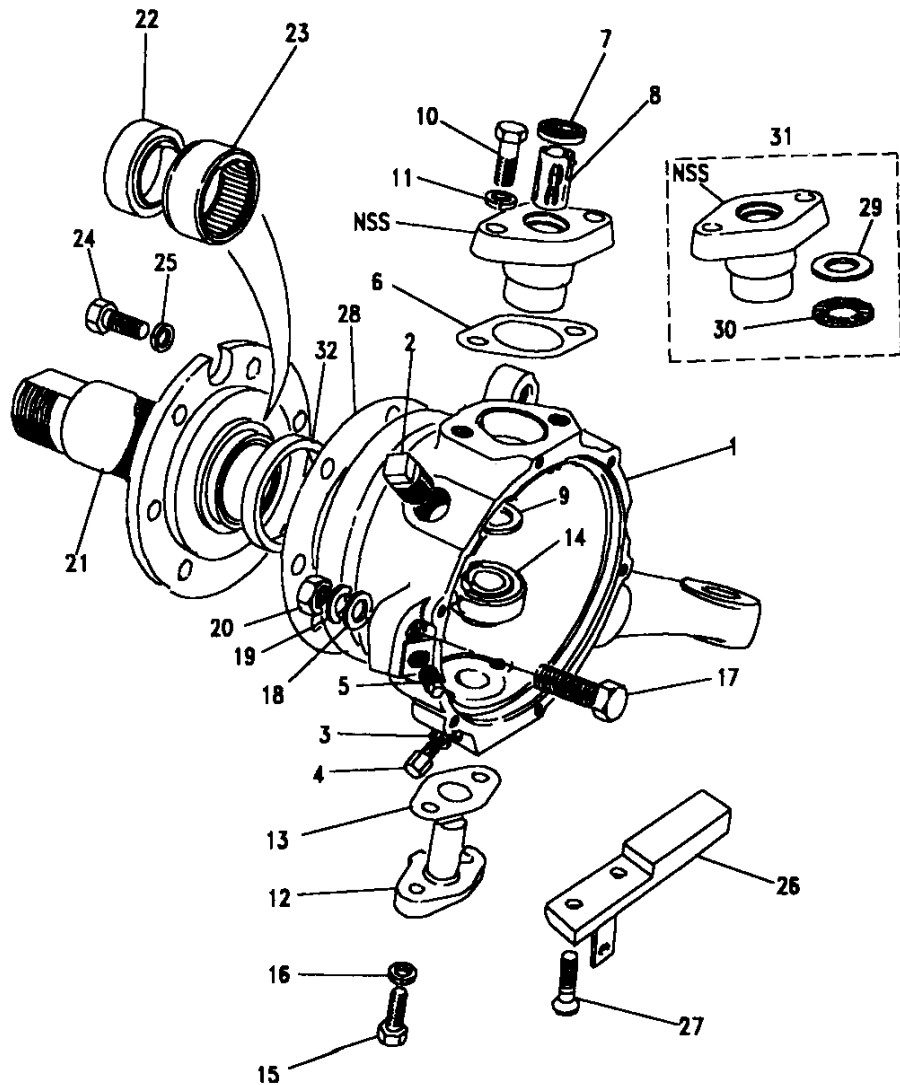
Note(1) Up to JA615502.  
 Note(2) From JA615503 upto KA637567  
 Note(3) From KA637568

**Model** RANGE ROVER 1992 onwards  
**Page** BDEXCK2A

**FRONT AXLE - SWIVEL PIN HOUSING - WITH ABS.**

Ill. Part No.	Description	Qty	Remarks
10	BX110071L bolt	4	
11	WL110001L Washer spring	4	
12	FRC2894 Swivel pin lower	2	
13	FRC2897 Washer joint	2	
14	FTC3647 Washer joint	2	Asbestos free
15	606666 Bearing taper rolling	4	
16	255467 Bolt	4	
17	WL108001L Washer spring	4	
18	SH112505 Bolt	2	
19	WD112081L Washer plain	2	
20	WL112001L Washer spring	2	
21	NT112041L Nut	2	
21	FTC858 Stub Axle	2	Note(1)
21	FTC3183 Stub Axle	2	Note(2)
22	FTC840 Oil seal	2	Note(1)
23	FTC3145 Oil seal	2	Note(2)
24	FTC861 Bearing	2	
25	SX110251 Screw	12	
25	WE110001L Washer spring	12	

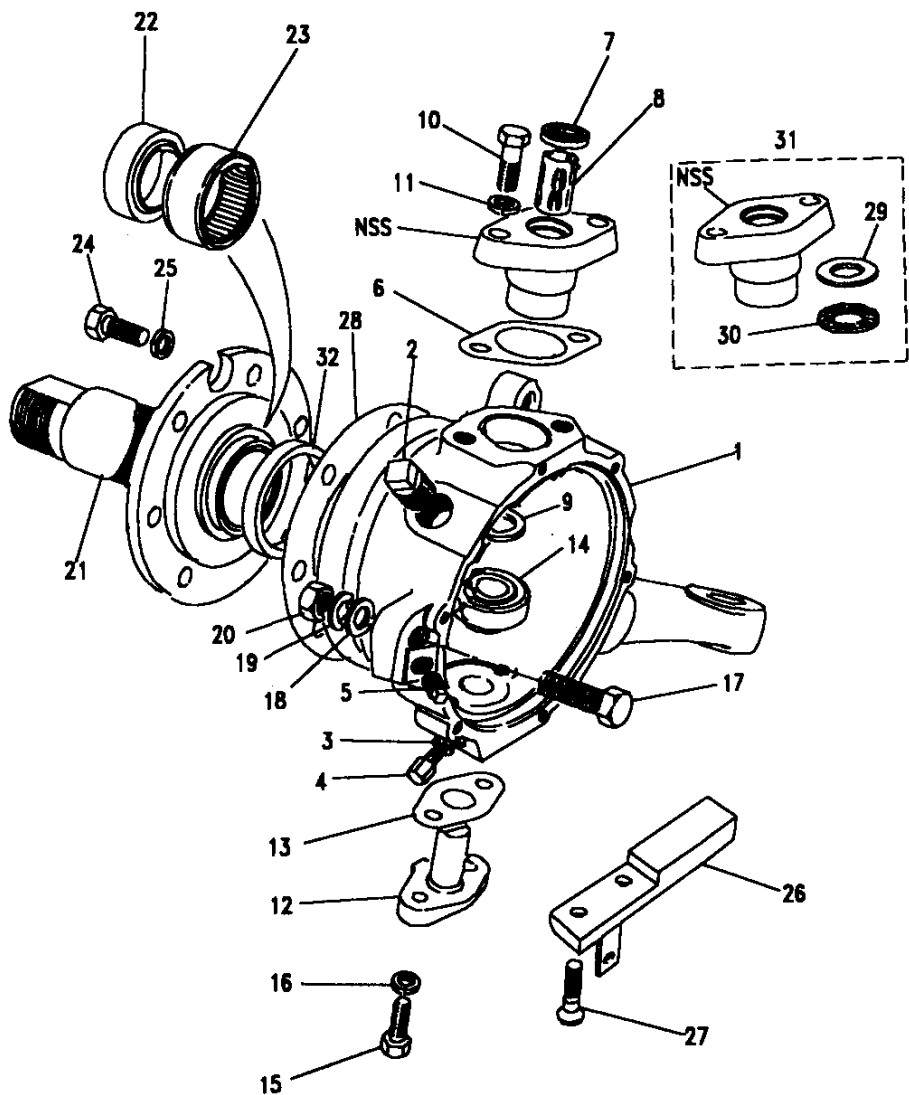
Note(1) Up to JA624755  
 Note(2) From KA624756



**Model** RANGE ROVER 1992 onwards  
**Page** BDEXCK2A

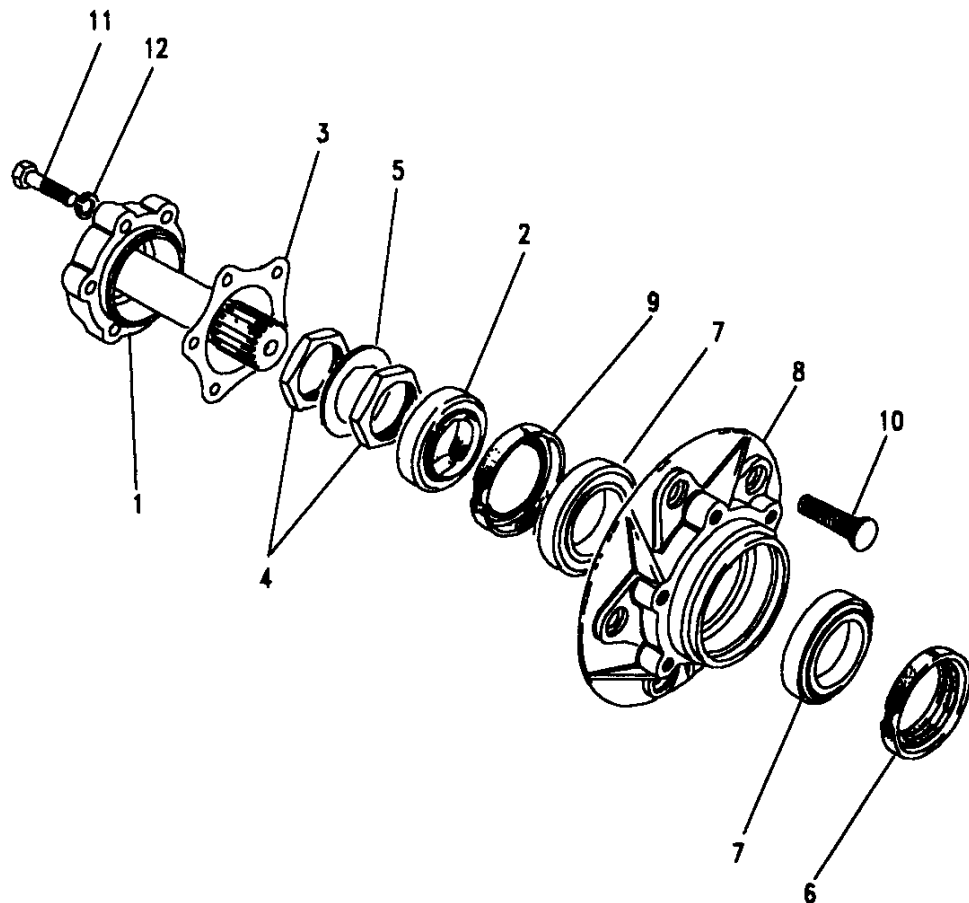
**FRONT AXLE - SWIVEL PIN HOUSING - WITH ABS**

III. Part No.	Description	Qty	Remarks
26	FTC1616	1	
	FTC1617	1	
27	FTC1626	2	
28	FRC3205	1	
	FTC3648	1	Asbestos free
29	FTC2066	4	
30	FTC2065	2	
31	STC226	2	
32	FTC56	1	



**Model** RANGE ROVER 1992 onwards  
**Page** BDEXCM1A

**FRONT AXLES - HUBS & DRIVING SHAFTS NON ABS TO JA624516**



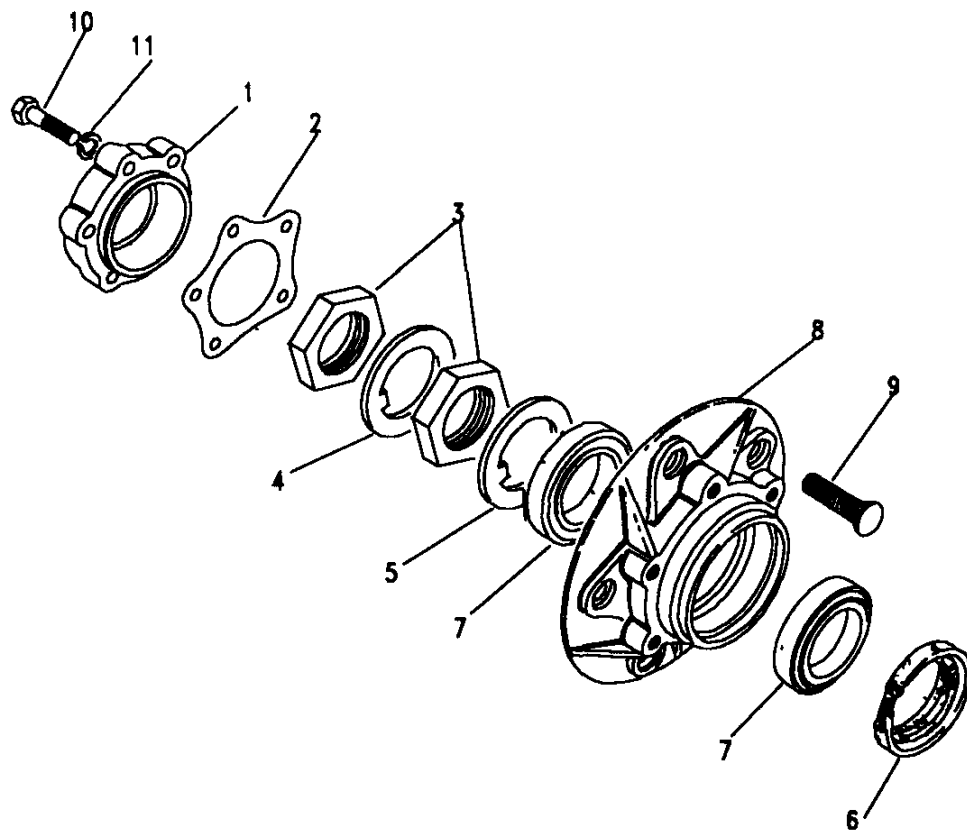
III. Part No.	Description	Qty	Remarks
1 571761	Hub front	2	
2 FRC8227	Seal	2	
3 571752	Washer joint	2	
4 FRC8700	Lock nut	4	
5 FRC8002	Washer key	2	
6 FTC2783	Seal hub inner	2	Note(1)
7 RTC3429	Bearing hub	2	
8 FTC1457	Hub assembly	2	
9 FRC8222	Seal hub	2	Outer
10 FRC5926	Stud	5	
11 279146	Bolt	10	
12 WM600061L	Washer spring	10	

Note(1) See technical information lft 170/93



**Model** RANGE ROVER 1992 onwards  
**Page** BDEXCM3A

**FRONT AXLE - HUBS & DRIVING SHAFT - FROM JA624517**

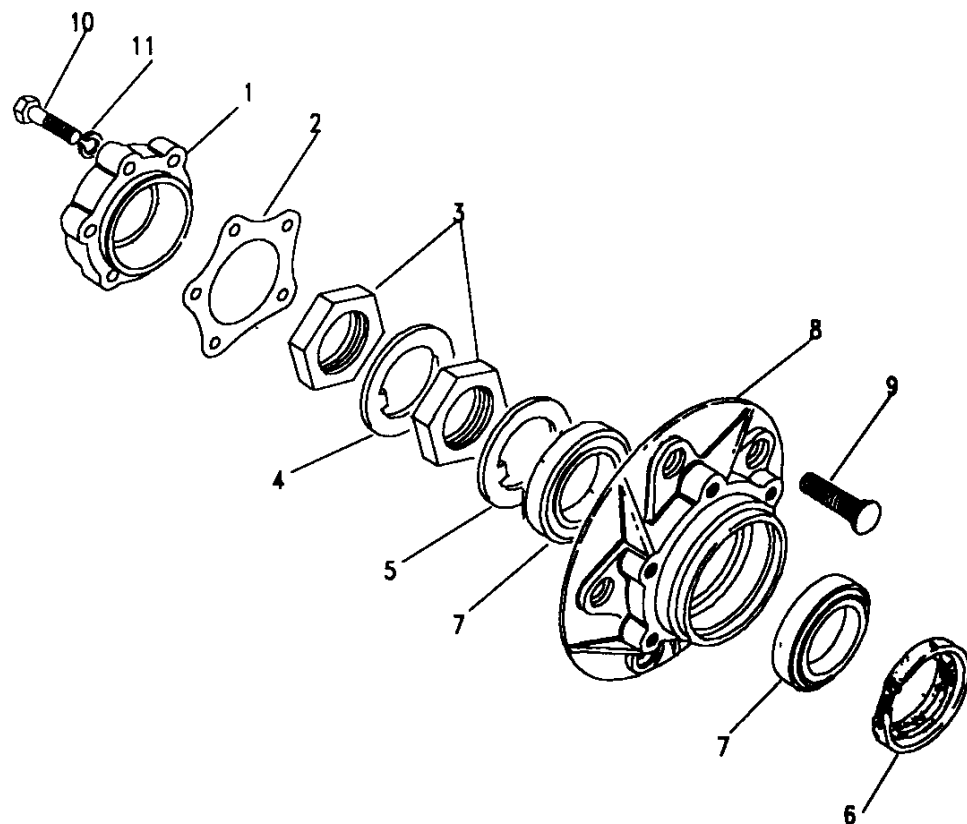


III. Part No.	Description	Qty	Remarks
1	FTC859 Hub front	2	
2	571752 Washer joint	2	
3	FRC8700 Lock nut	4	
4	FTC3185 Washer key	2	
5	FTC3179 Washer lock	2	
6	FTC2783 Seal hub inner	1	
7	RTC3429 Bearing hub	4	
8	FTC860 Hub front	2	
9	FRC5926 Stud	10	
10	BX110095M Bolt m/encapsulated	10	Note(1)
11	WM60001L Washer spring	10	

Note(1) Pre-impregnated with adhesive.

**Model** RANGE ROVER 1992 onwards  
**Page** BDEXCM2A

**FRONT AXLES - HUBS AND DRIVING SHAFTS - WITH ABS.**

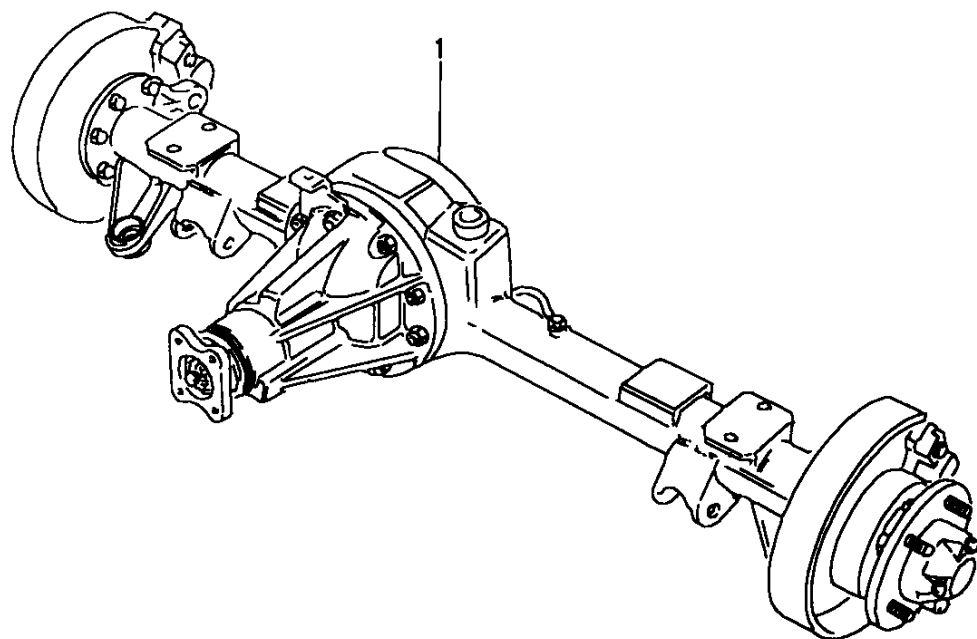


III. Part No.	Description	Qty	Remarks
1	FTC859	2	Hub front
2	571752	2	Washer joint
3	FRC8700	4	Lock nut
4	217352	2	Washer key
	FTC3185	2	Washer key
5	FTC3179	2	Washer lock
6	FTC2783	2	Seal hub inner
7	RTC3429	4	Bearing hub
8	FTC860	2	Hub front
9	FRC5926	10	Stud
10	BX110095M	10	Bolt m/encapsulated
11	WM60001L	10	Washer spring

Note(1) Up to JA624755  
 Note(2) From KA624756  
 Note(3) See technical information lft 170/93  
 Note(4) Pre-impregnated with adhesive.

**Model** RANGE ROVER 1992 onwards  
**Page** BDEXEA1A

**REAR AXLE - REAR AXLE ASSEMBLY.**

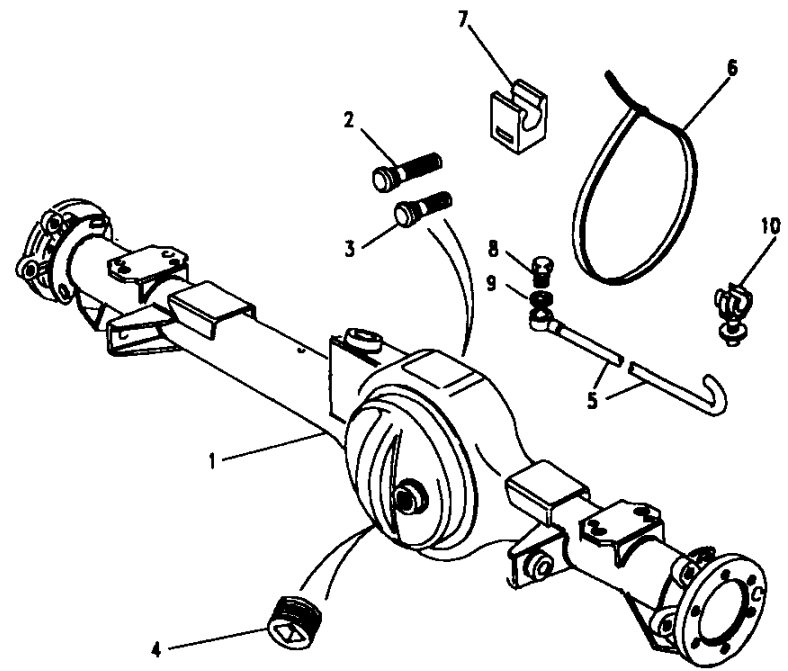


Ill. Part No.	Description	Qty	Remarks
<b>Non ABS.</b>			
1 FTC1936	Axle assembly rear	1	Note(1)
FTC3294	Axle assembly rear	1	Note(2)
FTC4024	Axle assembly rear	1	Note(4)
<b>With ABS.</b>			
FTC1930	Axle assembly rear	1	
FTC4025	Axle assembly rear	1	Note(4)
<b>Air Suspension N/ABS</b>			
FTC3094	Axle assembly rear	1	Note(3)
FTC4024	Axle assembly rear	1	Note(4)
<b>Air Suspension with ABS</b>			
FTC3126	Axle assembly rear	1	Note(3)
FTC4025	Axle assembly rear	1	Note(4)
<b>U.K Police only - Non ABS</b>			
FTC1937	Axle assembly rear	1	Note(1)
FTC3095	Axle assembly rear	1	Note(2)
<b>U.K Police with ABS only</b>			
FTC1931	Axle assembly rear	1	Note(1)
FTC3127	Axle assembly rear	1	Note(2)

Note(1) Up to JA624755  
 Note(2) From KA624756  
 Note(3) Up to LA647644  
 Note(4) From MA647645

**Model** RANGE ROVER 1992 onwards  
**Page** BDEXEC1A

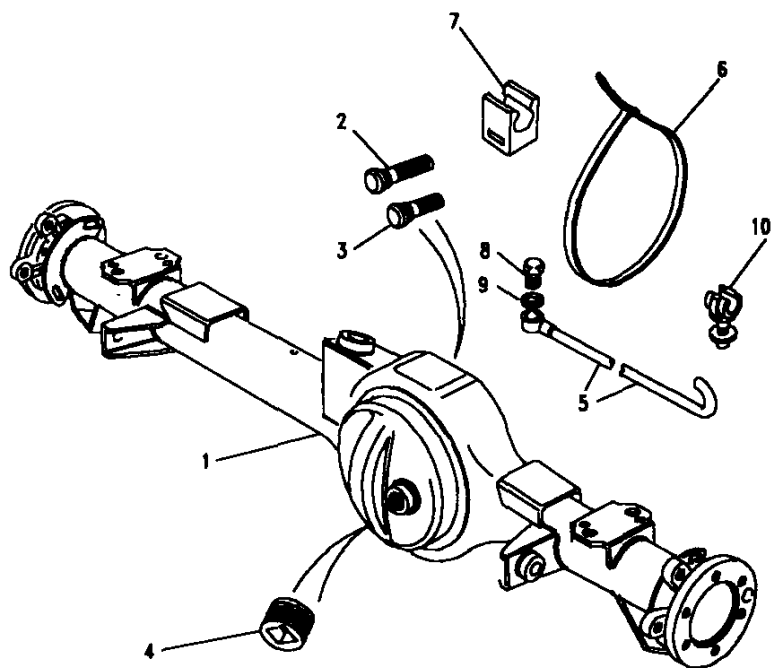
**REAR AXLE - REAR AXLE CASE.**



III. Part No.	Description	Qty	Remarks
<b>Non ABS.</b>			
1 FTC2268	Case axle rear	1	Upto 34S16921C
FTC3434	Case axle rear	1	From 34S16922C
FTC3436	Case axle rear	1	Upto LA647644 From MA647645
<b>With ABS.</b>			
FTC2269	Case axle rear	1	Upto 35S18188C
FTC3435	Case axle rear	1	From 35S18189C
FTC3437	Case axle rear	1	Upto LA647644 From MA647645
<b>Air Suspension - Non ABS</b>			
FTC3128	Case axle rear	1	Upto 36S00594B
FTC3436	Case axle rear	1	From 36S00595B
<b>Air Suspension - ABS</b>			
FTC3129	Case axle rear	1	Upto 37S08650B
FTC3437	Case axle rear	1	From 37S08651B

**Model** RANGE ROVER 1992 onwards  
**Page** BDEXEC1A

**REAR AXLE - REAR AXLE CASE.**



III. Part No.	Description	Qty	Remarks
<b>All variants</b>			
2	561196 Stud	6	)
3	561195 Stud	4	) Note(1)
	561196 Stud	10	Note(2)
4	608246 Filler plug	2	
5	FTC2176 Breather	1	
6	568680 Cable tie	4	
	594594 Cable tie	4	ALTERNATIVE
7	NRC9246 Clip pipe	6	
8	595478 Bolt banjo	1	
9	232039 Washer copper	2	
10	79121 Clip pipe	1	
	79123 Clip pipe	1	ALTERNATIVE

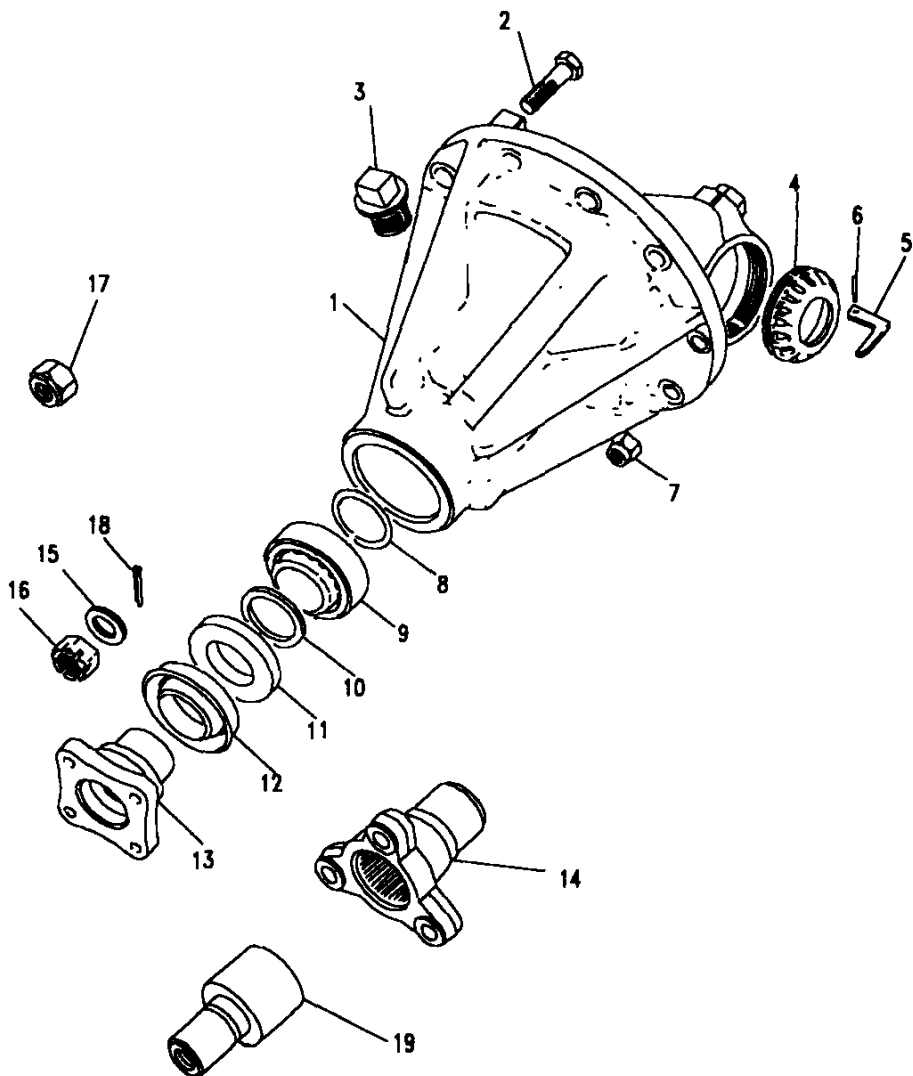
Note(1) Up to 34S19718B & 32S57317A  
 Note(2) From 34S19719B & 32S57318A

**Model** RANGE ROVER 1992 onwards  
**Page** BDEXEE1A

**REAR AXLE - DIFFERENTIAL.**

III. Part No.	Description	Qty	Remarks
FTC1709N	Differential assembly	1	Note(1)
FTC2750	Differential assembly	1	Note(2)
FTC2750R	Differential assembly	1	Rebuild
FTC3272	Differential assembly	1	Note(3)
FTC3272R	Differential assembly	1	Rebuild
FTC3723	Differential assembly	1	Note(4)
FTC782R	Differential assembly	1	Note(5)
1 FRC5690	Housing pinnion	1	
2 BH112101L	Bolt	4	
3 608246	Plug filler	1	
4 FRC5204	Ring locking	2	
5 FRC5661	Locking tab	2	
6 576159	Pin spring	2	
7 NY606041L	Nyloc nut	10	
<b>Up to 34S19718B &amp; 32S57317A</b>			
8 FRC1193	Shim 0.060	A/R	
FRC1195	Shim 0.062	A/R	
FRC1197	Shim 0.064	A/R	
FRC1199	Shim 0.066	A/R	
FRC1201	Shim 0.068	A/R	
FRC1203	Shim 0.070	A/R	
539718	Shim 0.072	A/R	
539720	Shim 0.074	A/R	
539722	Shim 0.076	A/R	
539724	Shim 0.080	A/R	

Note(1) Up to JA623614  
 Note(2) From JA623615 up to KA637567  
 Note(3) From KA637568 up to LA647644  
 Note(4) From MA647645  
 Note(5) For details on rebuilt units contact parts marketing L/R Solihull.



Model RANGE ROVER 1992 onwards  
 Page BDEXEE1A

REAR AXLE - DIFFERENTIAL.

III. Part No.

Description

Qty Remarks

From 34S19719B & 32S57318A

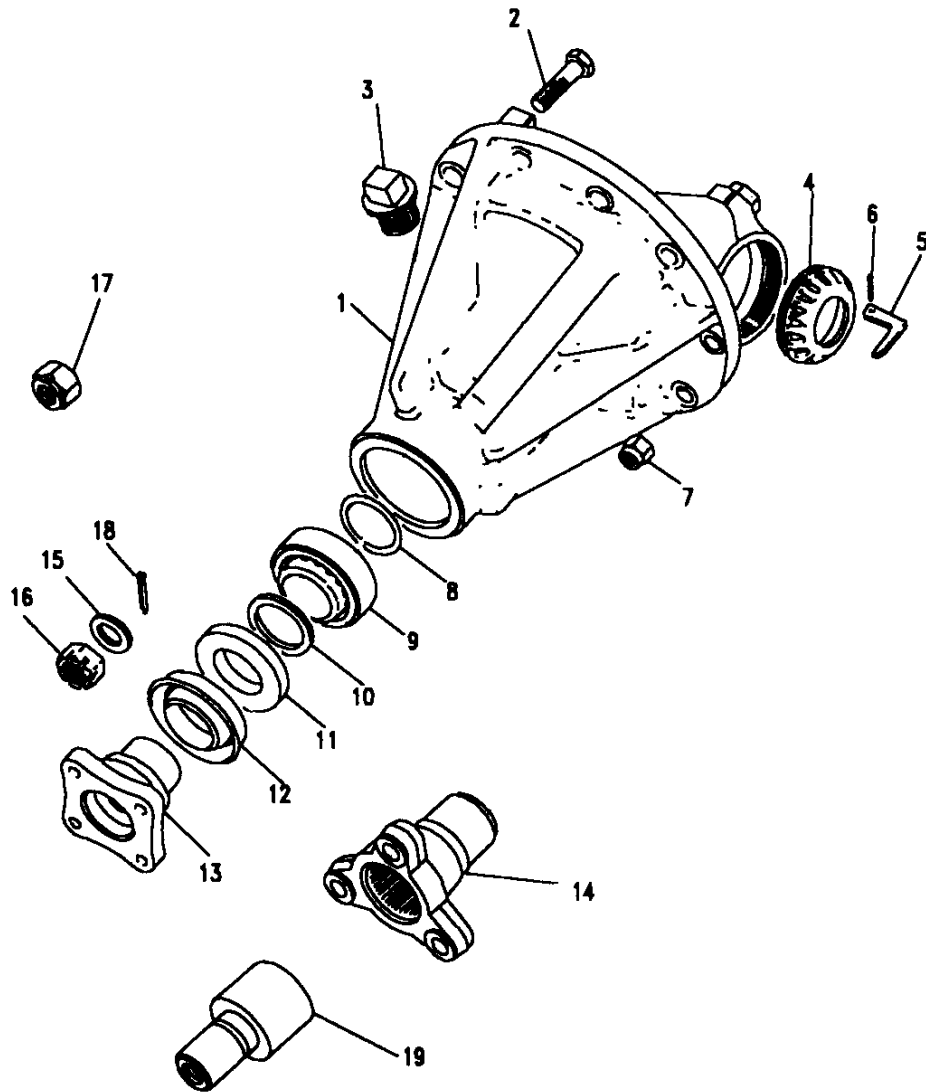
8	FTC3869	Shim 2.155mm	A/R
	FTC3871	Shim 2.105mm	A/R
	FTC3873	Shim 2.055mm	A/R
	FTC3875	Shim 2.005mm	A/R
	FTC3877	Shim 1.955mm	A/R
	FTC3879	Shim 1.905mm	A/R
	FTC3881	Shim 1.855mm	A/R
	FTC3883	Shim 1.805mm	A/R
	FTC3885	Shim 1.755mm	A/R
	FTC3887	Shim 1.705mm	A/R
	FTC3889	Shim 1.655mm	A/R
	FTC3891	Shim 1.605mm	A/R
	FTC3893	Shim 1.555mm	A/R
	FTC3895	Shim 1.505mm	A/R
9	539707	Bearing pinnion	1 Outer
10	539745	Spacer	1
11	FRC8220	Oil seal	1
12	FRC8154	Mud shield	1
13	FRC3002	Drive flange	1 Note(1)
14	FTC3706	Drive flange	NLA use FTC3729 Note(2)
	FTC3729	Flange & mudshield assy	1 Note(2)
15	90513454	Washer plain	1
16	3259	Nut castle	1
17	NY116041L	Nyloc Nut M16	1
18	PS608101	Pin split	1
19	FTC3707	Centralising pin	1 Note(2)

Note(1)

Upto LA647644

Note(2)

From MA647645

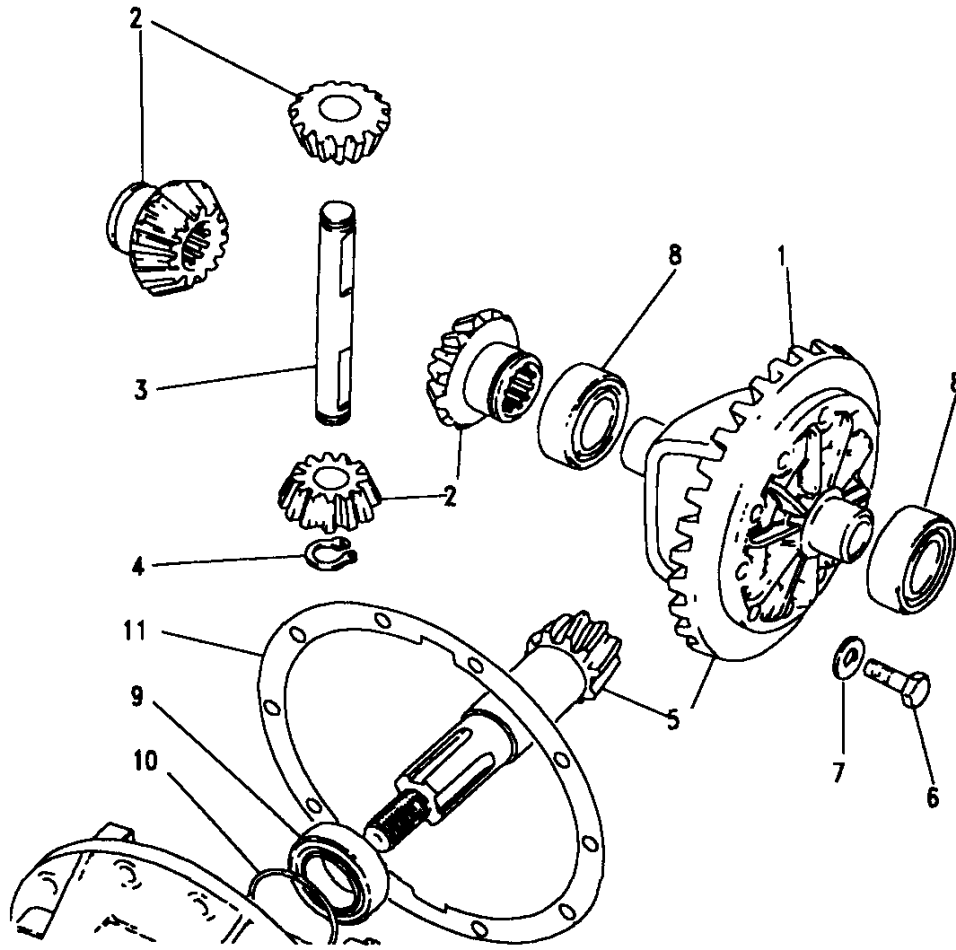


**Model** RANGE ROVER 1992 onwards  
**Page** BDEXEG1A

**REAR AXLE - DIFFERENTIAL CASE**

III. Part No.	Description	Qty	Remarks
1	FRC2933	1	Note(1)
	FTC3269	1	Note(2)
2	STC851	1	Note(1)
	FTC3267	1	)
	FTC3268	1	) Note(2,3)
3	599945	1	
4	CCN110	2	
5	FTC781	1	Note(1)
	FTC3620	1	Note(2)
6	593692	10	
7	593693	10	
8	RTC2726	2	
9	539706	1	Inner

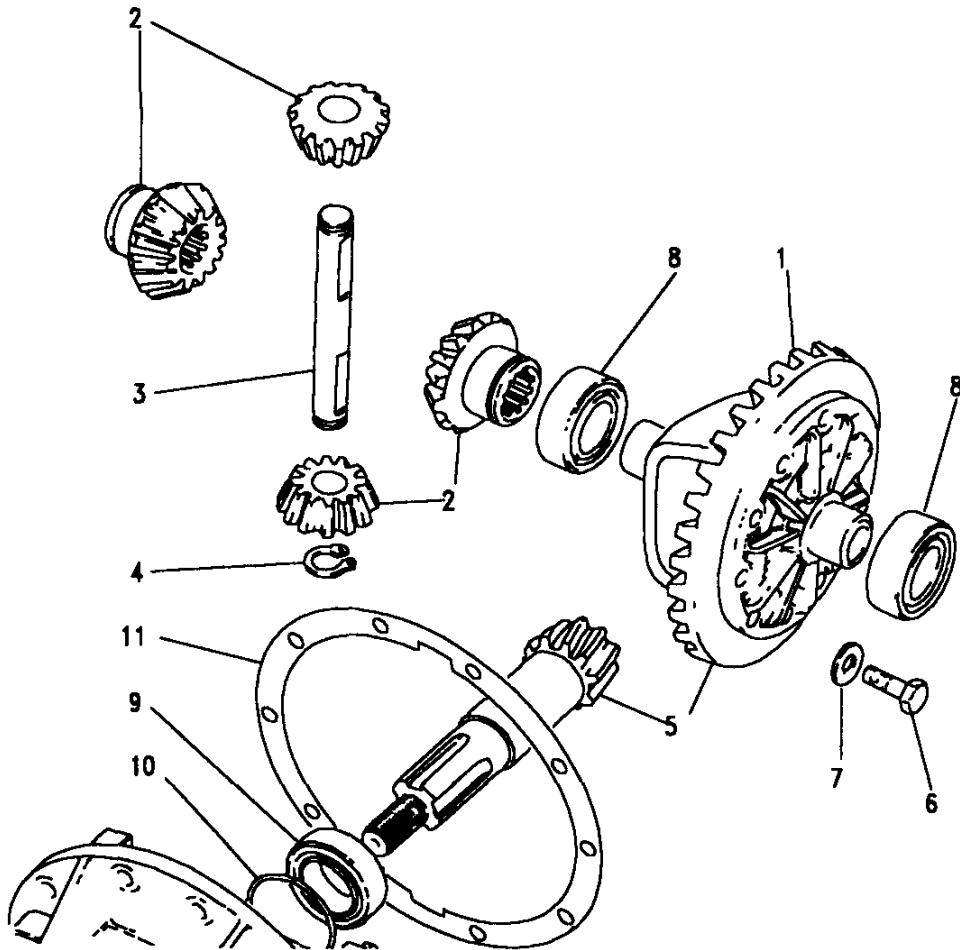
Note(1) Up to KA637567  
 Note(2) From KA637569  
 Note(3) Replace as a set.



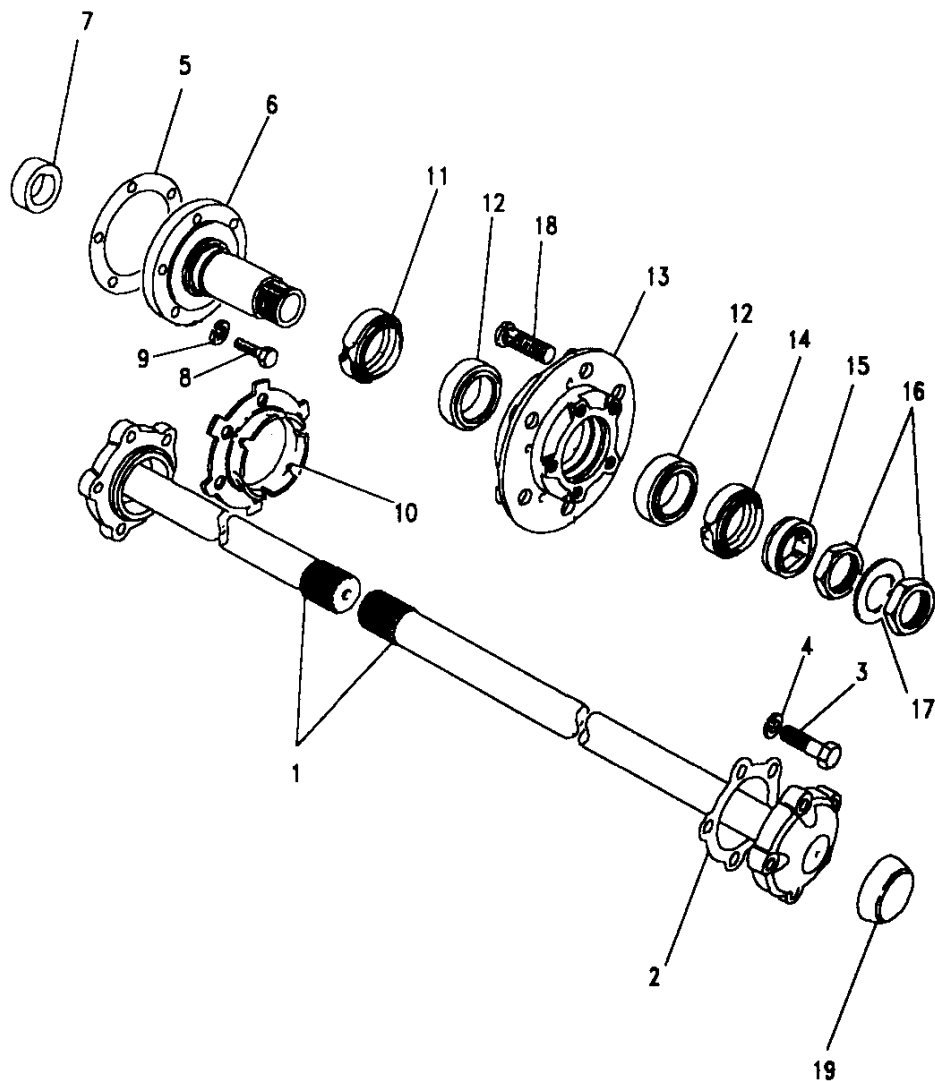


**Model** RANGE ROVER 1992 onwards  
**Page** BDEXEG1A

**REAR AXLE - DIFFERENTIAL CASE**



III. Part No.	Description	Qty	Remarks
<b>Imperial shims Up to 34S19718B &amp; 32S57317A</b>			
10 549230	Shim 0.038"	A/R	
549232	Shim 0.040"	A/R	
549234	Shim 0.042"	A/R	
549236	Shim 0.044"	A/R	
549238	Shim 0.046"	A/R	
549240	Shim 0.048"	A/R	
549242	Shim 0.050"	A/R	
549244	Shim 0.052"	A/R	
549246	Shim 0.054"	A/R	
549248	Shim 0.056"	A/R	
549250	Shim 0.058"	A/R	
549252	Shim 0.060"	A/R	
576236	Shim 0.062"	A/R	
576237	Shim 0.063"	A/R	
576238	Shim 0.064"	A/R	
576239	Shim 0.065"	A/R	
<b>Metric shims From 34S19719B &amp; 32S57318A</b>			
FTC3853	Shim 1.548mm	A/R	
FTC3855	Shim 1.498mm	A/R	
FTC3857	Shim 1.448mm	A/R	
FTC3859	Shim 1.398mm	A/R	
FTC3861	Shim 1.348mm	A/R	
FTC3863	Shim 1.298mm	A/R	
FTC3865	Shim 1.248mm	A/R	
FTC3867	Shim 1.198mm	A/R	
11 7316	Washer joint	1	



**Model** RANGE ROVER 1992 onwards  
**Page** BDEXEH1A

**REAR AXLE - HUBS & DRIVING SHAFT NON ABS UP TO JA624516**

Ill. Part No.	Description	Qty	Remarks
1	571882	1	Shaft axle RH
	571883	1	Shaft axle LH
2	571752	2	Washer joint
3	BX110095M	10	Bolt m/encapsulated
4	WM600061L	10	Washer spring
5	FRC3205	2	Washer joint
6	FRC8005	2	Stub axle
7	FTC951	2	Oil seal
8	SX110251M	12	Screw
9	WL110001L	12	Washer spring
10	FRC2310	2	Plate locking
11	FTC2783	2	Seal hub inner
12	RTC3429	4	Bearing hub
13	FTC1457	2	Hub assembly
14	FRC8222	2	Seal hub
15	FRC8227	2	Spacer
16	FRC8700	4	Locknut
17	FRC8002	4	Washer key
18	FRC5926	10	Stud
19	FTC943	2	Cap hub

Note(1)  
 Note(2)

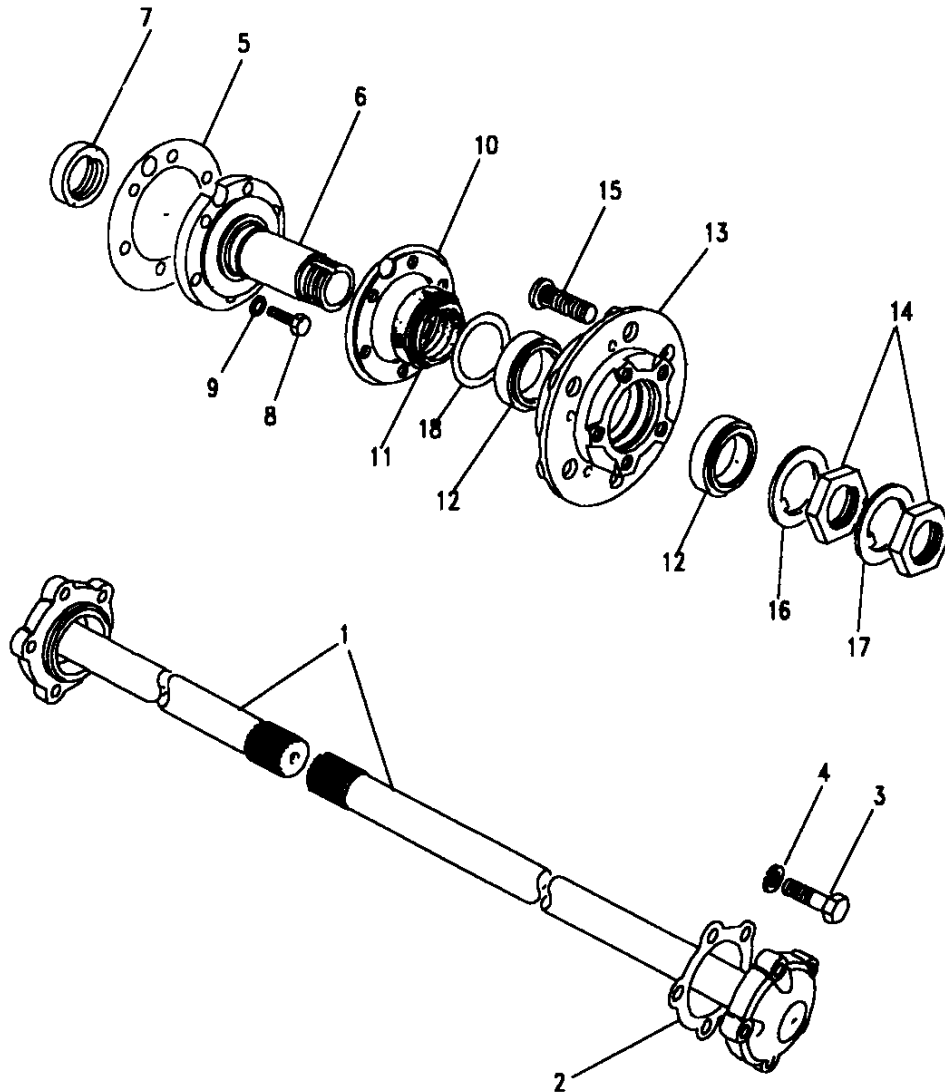
Pre-impregnated with adhesive.  
 See technical information lft 170/93

**Model** RANGE ROVER 1992 onwards  
**Page** BDEXE13A

**REAR AXLE - HUBS AND DRIVING SHAFTS NON ABS FROM JA624517**

III. Part No.	Description	Qty	Remarks
1	FTC3187	1	)
	FTC3186	1	)Note(1)
	FTC3270	1	)
	FTC3271	1	)Note(2)
2	571752	2	
3	BX110095M	10	Note(3)
4	WM600061L	10	
5	FTC1377	2	
6	FTC3188	2	
7	FTC951	2	
	FTC3145	2	Note(4)
8	SX110251M	12	
9	WL110001L	12	
10	FTC1378	2	
11	FTC2783	2	
12	RTC3429	4	
13	FTC860	2	NLA use FTC942 Hub & stud assy

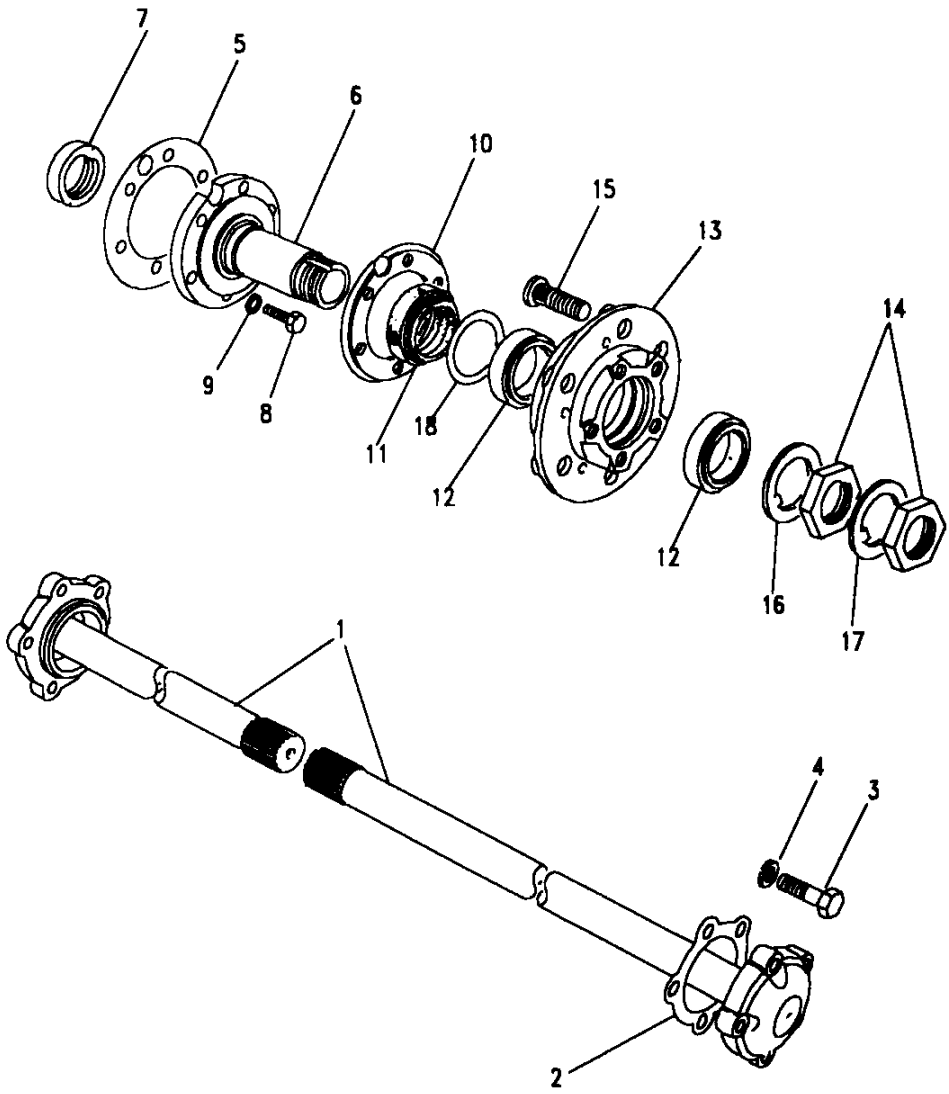
Note(1) Up to 34S16921C, 36S00594B  
 Note(2) From 34S16922C, 36S00595B  
 Note(3) Pre-impregnated with adhesive.  
 Note(4) See technical information lft 170/93

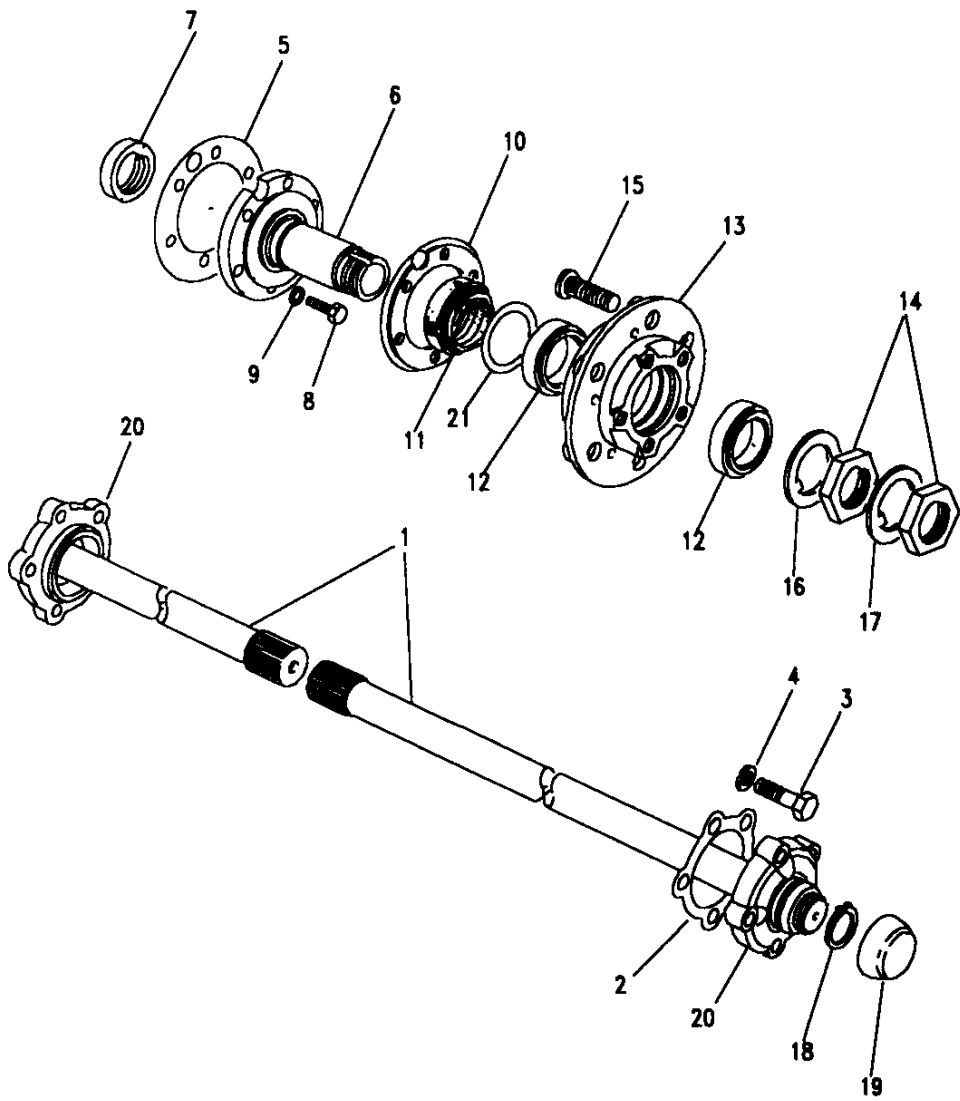


**Model** RANGE ROVER 1992 onwards  
**Page** BDEXE13A

**REAR AXLE - HUBS AND DRIVING SHAFTS NON ABS FROM JA624517**

III. Part No.	Description	Qty	Remarks
14	FRC8700	4	Locknut
15	FRC5926	10	Stud
16	FTC3185	2	Washer key
17	FTC3179	2	Washer lock
18	FRC6782	A/R	Shim 0.450
	FRC6783	A/R	Shim 0.600
	FRC6784	A/R	Shim 0.750
	FRC6785	A/R	Shim 0.900
	FRC6786	A/R	Shim 1.050
	FRC6787	A/R	Shim 1.200
	FRC6788	A/R	Shim 1.350
	FRC6789	A/R	Shim 1.500
	FRC6790	A/R	Shim 1.650



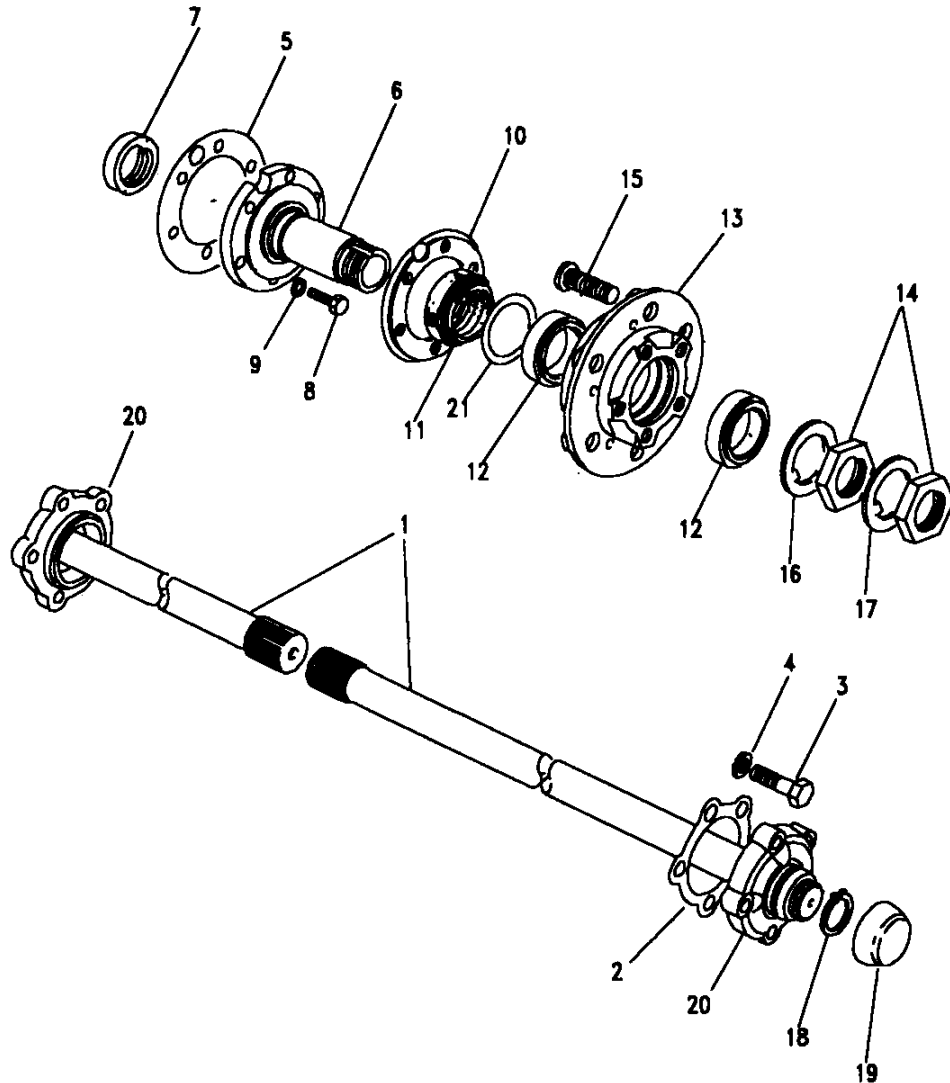


**Model** RANGE ROVER 1992 onwards  
**Page** BDEXE12A

**REAR AXLE - HUBS AND DRIVING SHAFTS - WITH ABS.**

III. Part No.	Description	Qty	Remarks
1	FTC870	1	) Note(1)
	FTC871	1	
	FTC3187	1	
	FTC3186	1	
	FTC3270	1	
	FTC3271	1	) Note(2)
	FTC3271	1	) Suffix B
	FTC3271	1	) Onwards
2	571752	2	
3	BX110095M	10	Note(3)
4	WM600061L	10	
5	FTC1377	2	

Note(1) Up to JA624755  
 Note(2) From JA624756  
 Note(3) Pre-impregnated with adhesive.



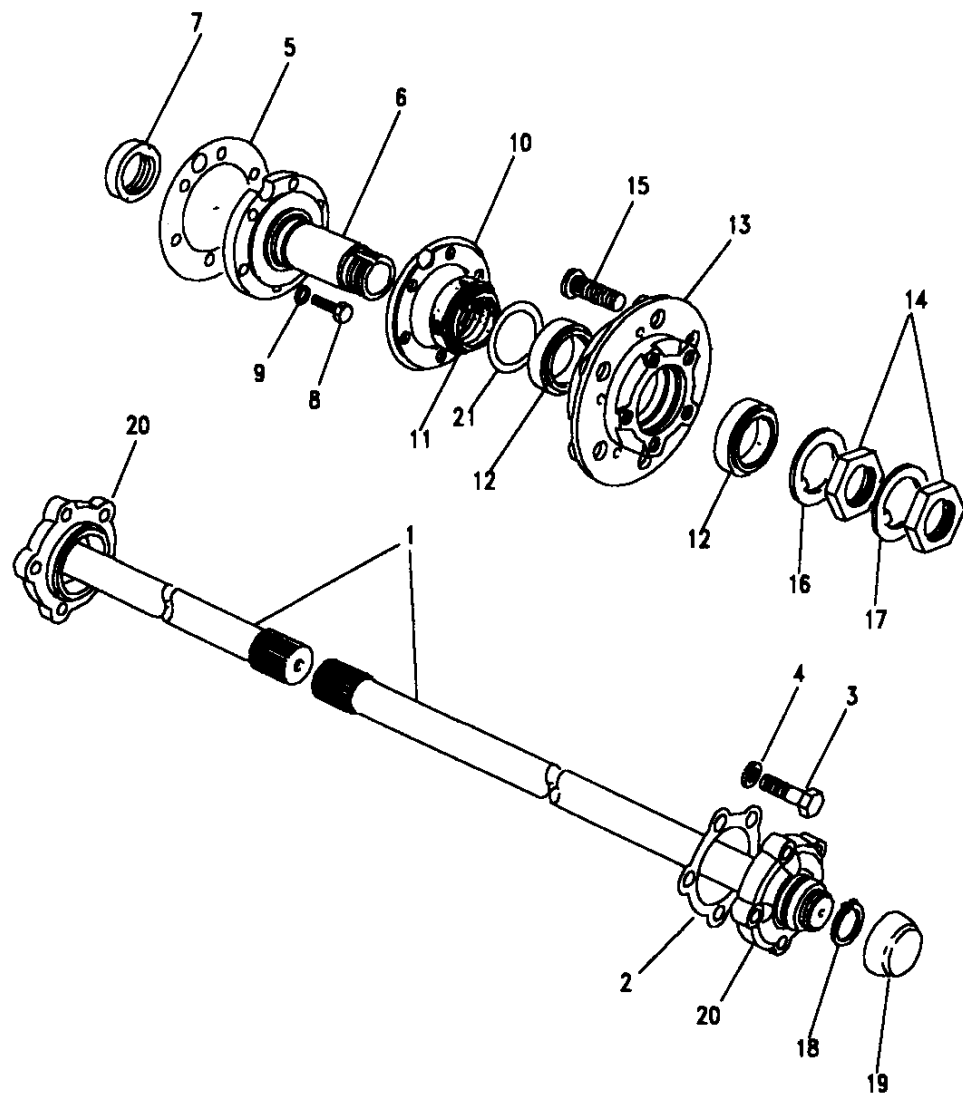
**Model** RANGE ROVER 1992 onwards  
**Page** BDEXE12A

**REAR AXLE - HUBS AND DRIVING SHAFTS - WITH ABS.**

III. Part No.	Description	Qty	Remarks
6	FTC950	2	Note(1)
	FTC3188	2	Note(2)
7	FTC951	2	Note(3)
	FTC3145	2	Note(4,5)
8	SX110251M	12	
9	WL110001L	12	
10	FTC1378	2	
11	FTC2783	2	Note(5)
12	RTC3429	4	
13	FTC860	2	

Note(1)  
 Note(2)  
 Note(3)  
 Note(4)  
 Note(5)

Up to 35S16958B - Coil Suspension, 37S00315A - Air Suspension.  
 From 35S16959B - Coil Suspension, 37S00316A - Air Suspension.  
 Up to 34S16102B, 35S17830B, 36S00575A & 37S05383A  
 From 34S16103B, 35S17831B, 36S00576A & 37S05384A  
 See technical information lft 170/93

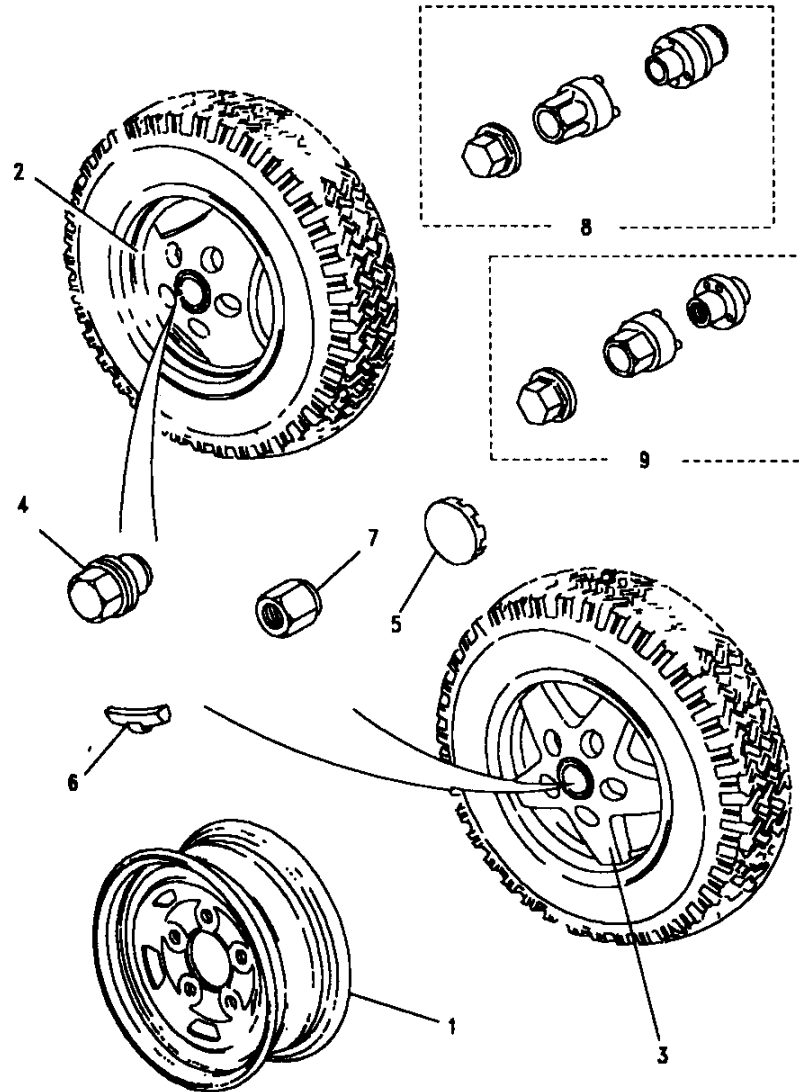


**Model** RANGE ROVER 1992 onwards  
**Page** BDEXE12A

**REAR AXLE - HUBS AND DRIVING SHAFTS - WITH ABS.**

III. Part No.	Description	Qty	Remarks
14	FRC8700 Locknut	4	
15	FRC5926 Stud	10	
16	217352 Washer key	2	Note(1)
	FTC3185 Washer key	2	Note(2)
17	217353 Washer lock	2	Note(1)
	FTC3179 Washer lock	2	Note(2)
18	549473 Circlip	2	)
19	FTC943 Cap hub	2	)Note(3)
20	FTC859 Hub	2	)
21	FRC6782 Shim 0.450	A/R	
	FRC6783 Shim 0.600	A/R	
	FRC6784 Shim 0.750	A/R	
	FRC6785 Shim 0.900	A/R	
	FRC6786 Shim 1.050	A/R	
	FRC6787 Shim 1.200	A/R	
	FRC6788 Shim 1.350	A/R	
	FRC6789 Shim 1.500	A/R	
	FRC6790 Shim 1.650	A/R	

Note(1) Up to 35S16958B - Coil Suspension, 37S00315A - Air Suspension.  
 Note(2) From 35S16959B - Coil Suspension, 37S00316A - Air Suspension.  
 Note(3) Only fitted up to JA624755



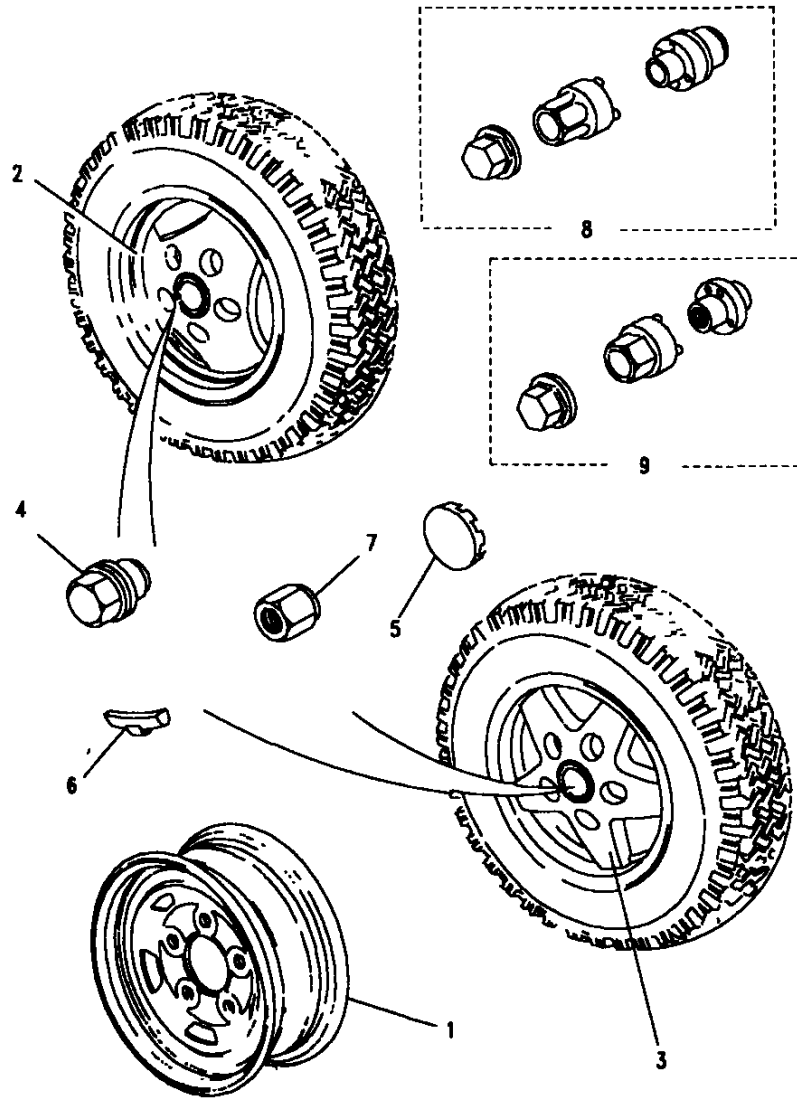
**Model** RANGE ROVER 1992 onwards  
**Page** BDEXGE1A

**AXLES - ROAD WHEELS.**

iii. Part No.	Description	Qty	Remarks
1 NTC5193PM	Wheel road steel	5	Primed only
2 NTC1346	Wheel road alloy	5	
NTC1346JUV	Wheel road alloy	5	Avalon
<b>Colour coded wheels - Tubed</b>			
NTC2320AUF	Wheel road alloy	5	
NTC2320PUE	Wheel road alloy	5	
<b>Colour coded wheels - Tubeless</b>			
NTC1346AUF	Wheel road alloy	5	
NTC1346PUE	Wheel road alloy	5	
NTC1346RUT	Wheel road alloy	5	
NTC1346HUL	Wheel road alloy	5	
NTC1346LUQ	Wheel road alloy	5	
NTC1346JUJ	Wheel road alloy	5	
NTC1346MUD	Wheel road alloy	5	
NTC1346CUH	Wheel road alloy	5	
NTC1346NUC	Wheel road alloy	5	
NTC1346MUM	Wheel road alloy	5	Altai
NTC1346LVD	Wheel road alloy	5	Niagara
NTC1346HAF	Wheel road alloy	5	
NTC1346JRJ	Wheel road alloy	5	

Note(1) COLOUR CODE. AUF - Cairngorn brown, PUE - Beluga black, RUT - Gunmetal grey, HUL - Ardennes green, LUQ - Westminster grey, JUJ - Plymouth blue, MUD - Aspen silver, CUH - Trocadero red, NUC - Alpine white, HAF - Epsom green, JRJ - Biarritz blue,





**Model** RANGE ROVER 1992 onwards  
**Page** BDEXGE1A

**AXLES - ROAD WHEELS.**

III. Part No.	Description	Qty	Remarks
<b>5 Spoke alloy wheels</b>			
3	RTC9526	5	
	RTC9526RUT	5	Australia only and Brooklands
<b>5 Spoke alloy wheel - L.S.E. only.</b>			
	RTC9526RHF	5	Alpine white
	RTC9526RHG	5	Ardennes green
	RTC9526RGT	5	Beluga black
	RTC9526RGV	5	Mosswood
	RTC9526RGW	5	Plymouth blue
	RTC9526RGX	5	Roman bronze
	RTC9526RGY	5	Winchester grey
	ANR1406MNH	5	)Silver sparkle )Cyclone
<b>Alloy wheels only</b>			
4	NRC7415	20	Note(1)
	ANR2763MMM	20	Note(2)
<b>All variants</b>			
5	NRC8254	4	With Logo
	ANR2391MUE	4	With Logo
6	13H8329L	A/R	15 Grms
	13H8332L	A/R	40 Grms
	13H8331L	A/R	60 Grms
	13H8337L	A/R	90 Grms

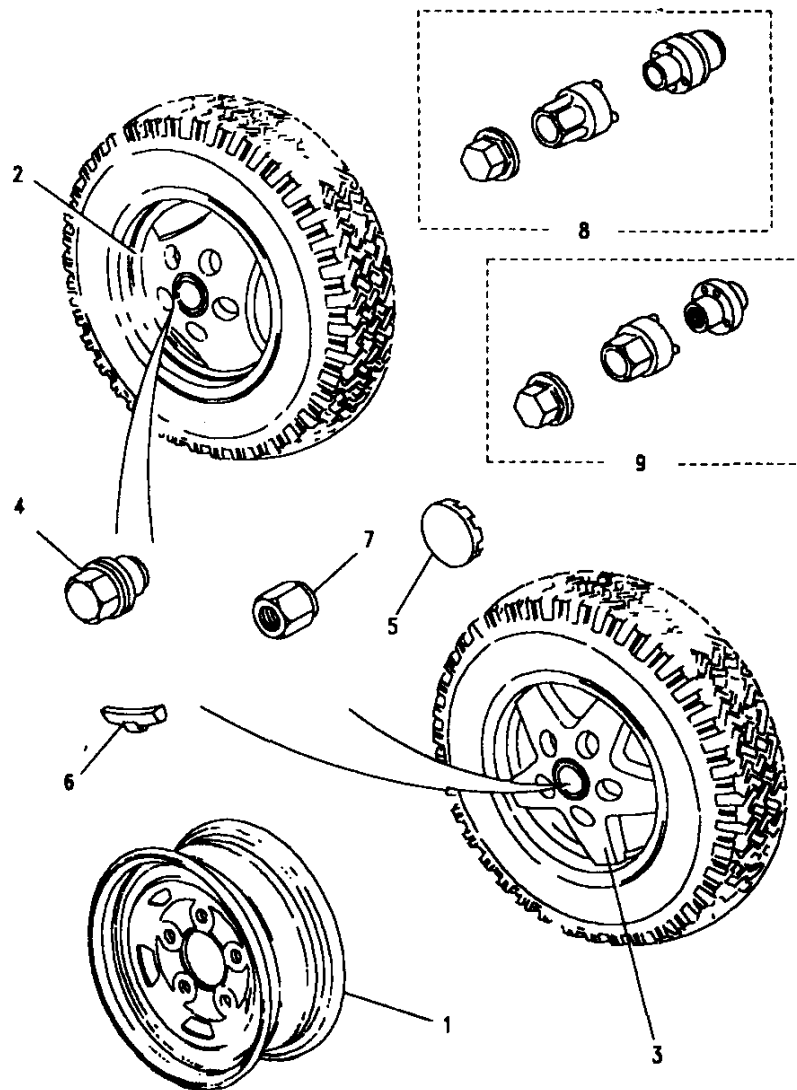
Note(1) Up to KA635839  
 Note(2) From KA635840

**Model** RANGE ROVER 1992 onwards  
**Page** BDEXGE1A

**AXLES - ROAD WHEELS.**

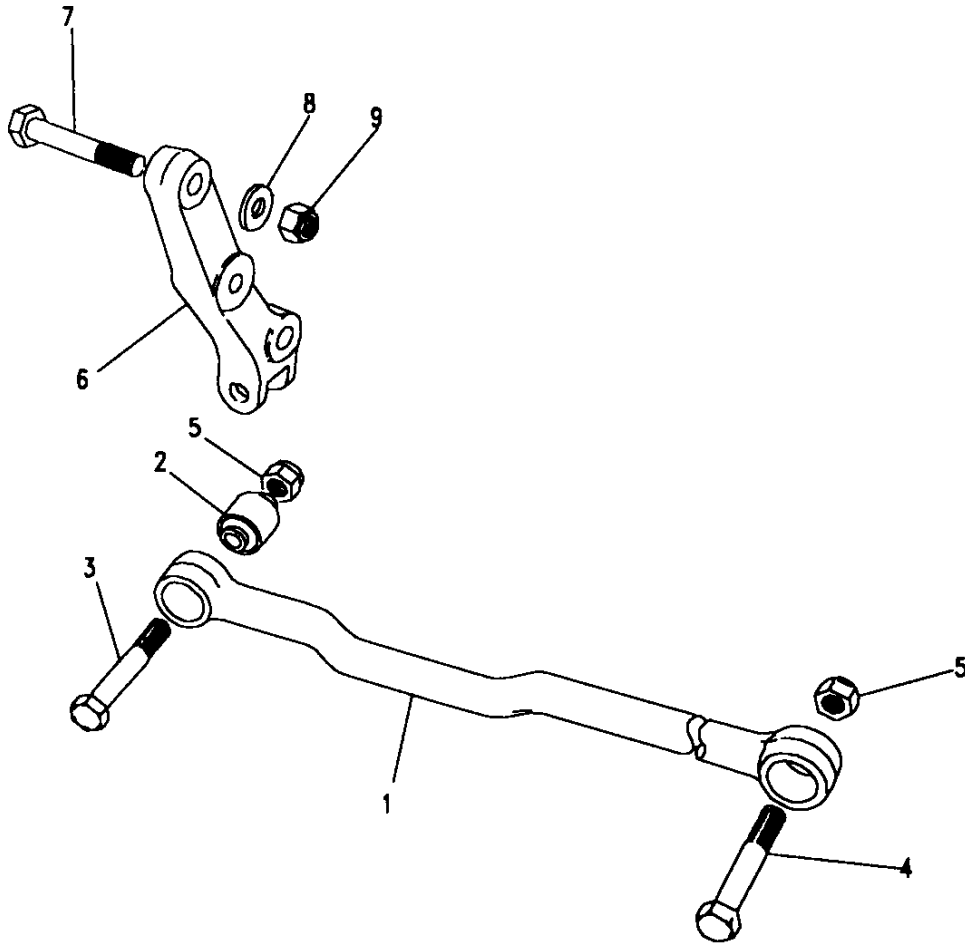
III. Part No.	Description	Qty	Remarks
<b>Steel wheels only</b>			
7	577473 NTC7396	20	Note(1)
		20	Note(2)
8	RTC9535	1	
9	STC8440	1	

Note(1) Up to KA638558  
 Note(2) From KA638559



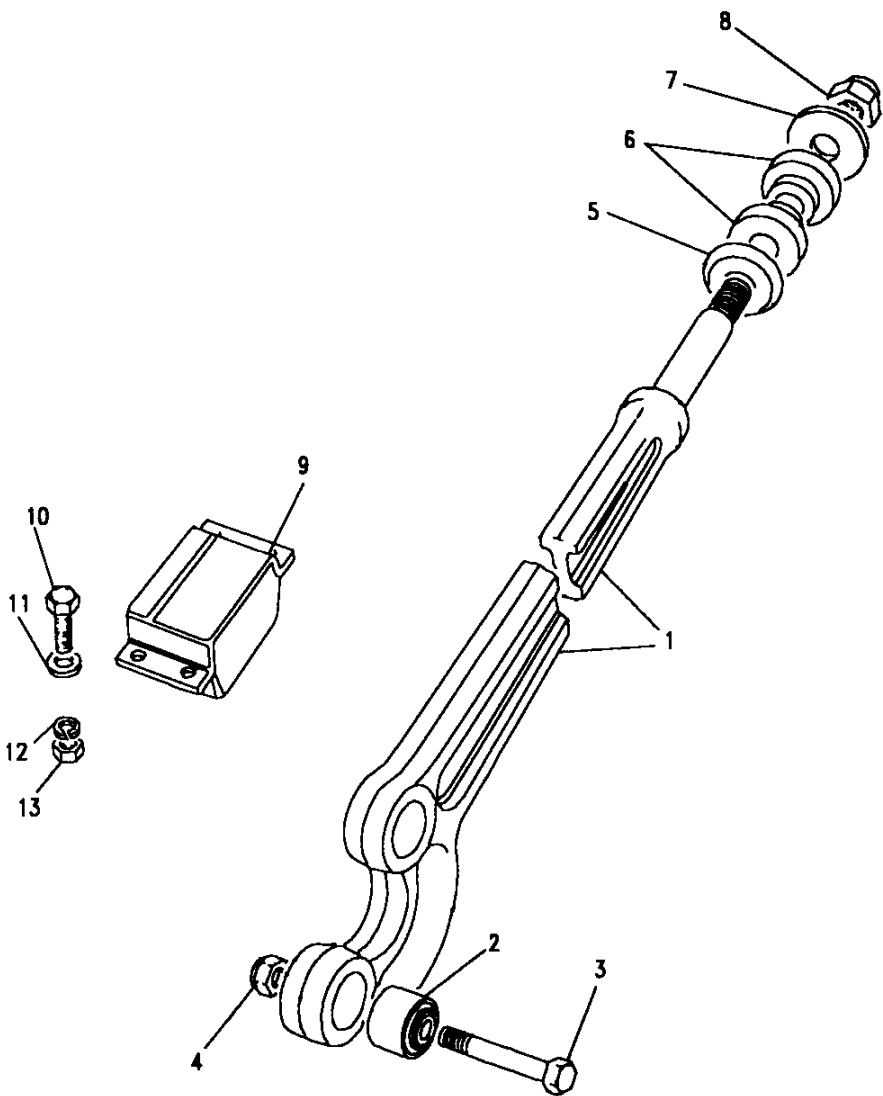
**Model** RANGE ROVER 1992 onwards  
**Page** BDEXIA1A

### FRONT SUSPENSION - PANHARD ROD



III. Part No.	Description	Qty	Remarks
1 NRC9729	Rod panhard	1	
2 NRC9728	Bush flexible	2	Upto MA648604
ANR3410	Bush flexible	2	From MA648605
3 BH114161	Bolt	1	
4 BH114151	Bolt	1	
5 NY114041L	Nut	2	
<b>RHS</b>			
6 NRC5764	Mounting arm	1	Note(1)
NTC9462	Mounting arm	1	Note(2)
<b>LHS</b>			
NRC5765	Mounting arm	1	Note(3)
NTC9461	Mounting arm	1	Note(4)
<b>All variants</b>			
7 253952	Bolt	2	
8 WC112081L	Washer plain	2	
9 NY608041L	Nut	2	

Note(1) Up to JA620956  
 Note(2) From JA620957  
 Note(3) Up to JA620816  
 Note(4) From JA620817

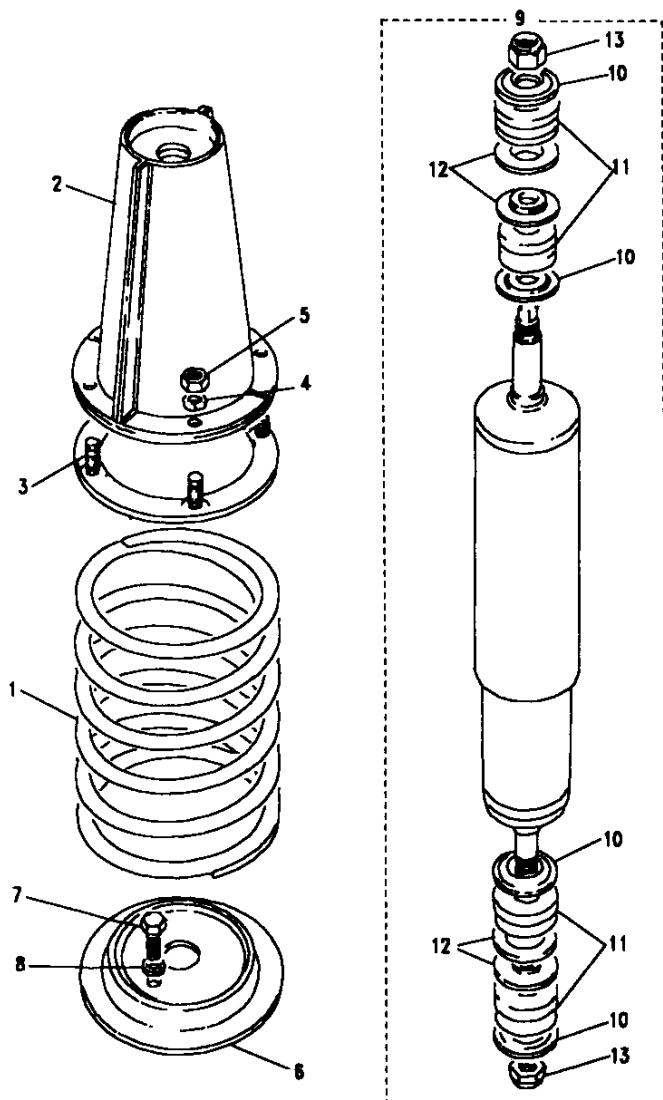


**Model** RANGE ROVER 1992 onwards  
**Page** BDEXIA2A

**FRONT SUSPENSION - RADIUS ARM.**

Ill. Part No.	Description	Qty	Remarks
<b>Non anti roll bar</b>			
1 NTC2694	Radius arm assembly	2	
<b>Anti roll bar only</b>			
1 NTC7331	Radius arm assembly	2	
<b>Air suspension only</b>			
NTC9830	Radius arm assembly	2	Note(1)
ANR3480	Radius arm assembly	2	Note(2)
<b>All variants</b>			
2 NTC6781	Bush flexible	4	Note(1)
NTC6860	Bush flexible	4	Note(2)
3 BX116221	Bolt radius arm (long)	2	
BX116201L	Bolt radius arm (short)	2	
4 NY116051L	Nut	4	
5 NRC4515	Washer	2	
6 NRC4514	Bush	4	
7 NRC4516	Washer plain	2	
8 NY120041L	Nut	2	
9 NTC6085	Bump stop rubber	2	Petrol 2 DR
575707	Bump stop rubber	2	Petrol 4 DR
NTC2326	Bump stop rubber RH	1	)Diesel
NTC2325	Bump stop rubber LH	1	)
10 SH605061L	Bolt	4	
11 3830L	Washer plain	4	
12 WM600041L	Washer spring	4	
13 NH605041L	Nut	4	

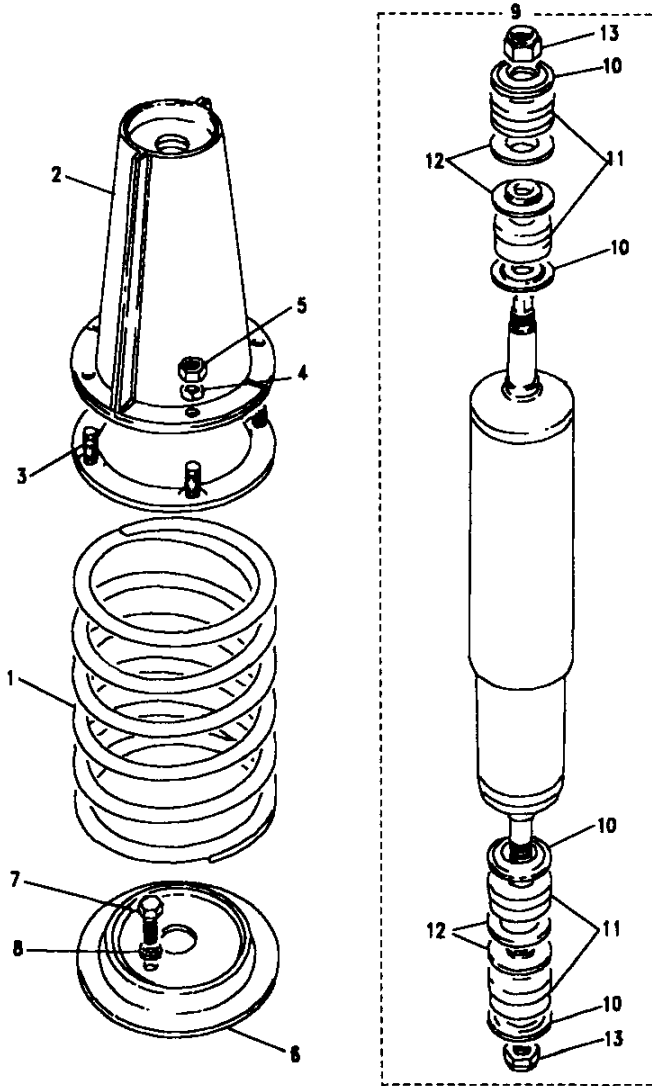
Note(1) Up to LA645532  
 Note(2) From LA645533



**Model** RANGE ROVER 1992 onwards  
**Page** BDEXIC1A

**FRONT SUSPENSION - SPRINGS & DAMPERS.**

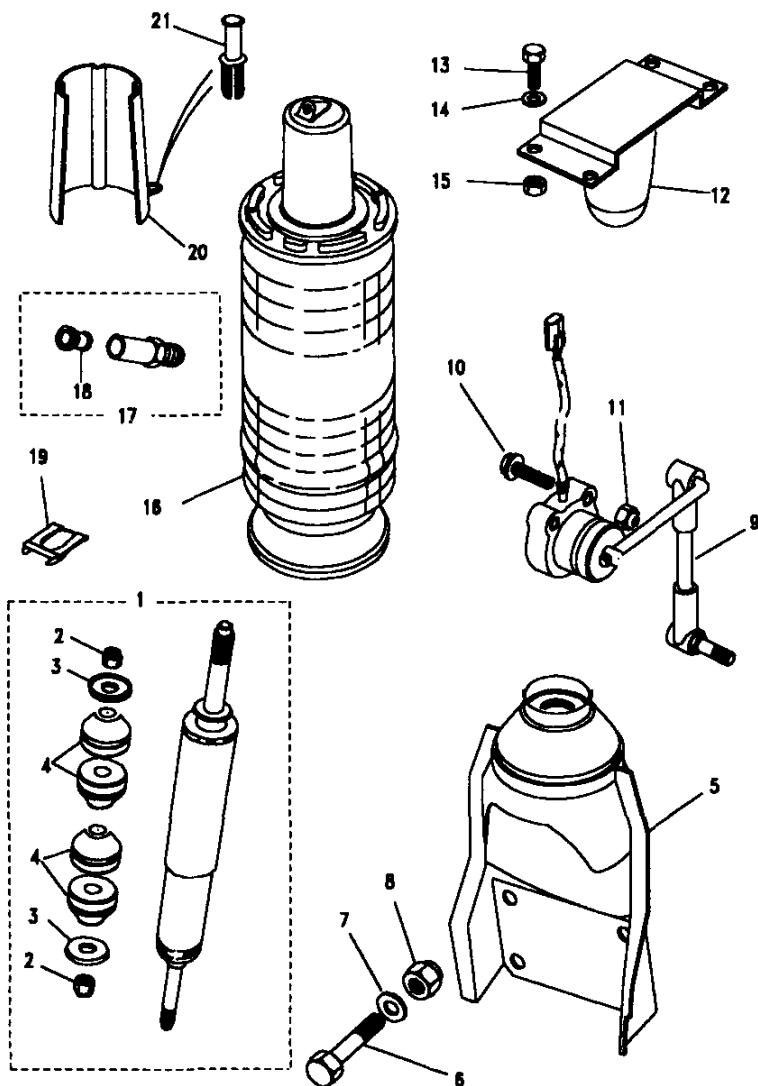
III. Part No.	Description	Qty	Remarks
<b>Petrol - RHS.</b> 1 572315	Front spring	2	Blue stripe
<b>Petrol - LHS.</b> 572315 NRC4306	Front spring RH Front spring LH	1 1	Blue stripe Blue/White
<b>Diesel - RHS.</b> NTC8477	Front spring	2	Blue/Green/Yellow
<b>Diesel - LHS.</b> NTC8477 NTC8476	Front spring RH Front spring LH	1 1	Blue/Green/Yellow Blue/Pink/White
<b>All variants</b>			
2 NRC6372	Bracket mounting	2	
3 572087	Ring securing	2	
4 WM600051L	Washer spring	8	
5 NH605041L	Nut	8	
6 NRC9700	Seat spring lower	2	
7 SH110251L	Bolt	4	
8 WM600061L	Washer spring	4	



**Model** RANGE ROVER 1992 onwards  
**Page** BDEXIC1A

**FRONT SUSPENSION - SPRINGS & DAMPERS.**

III. Part No.	Description	Qty	Remarks
<b>Damper - Non Anti Roll Bar</b>			
9	STC241 Kit damper front	2	
10	500746 Washer guide	8	
11	552818 Bush	8	
12	NRC4365 Washer guide	8	
	NRC6235 Washer guide	8	
13	NTC4571 Locknut	4	



**Model** RANGE ROVER 1992 onwards  
**Page** BDEXID1A

**ELECTRONIC AIR SUSPENSION - FRONT AIR SPRINGS & DAMPERS.**

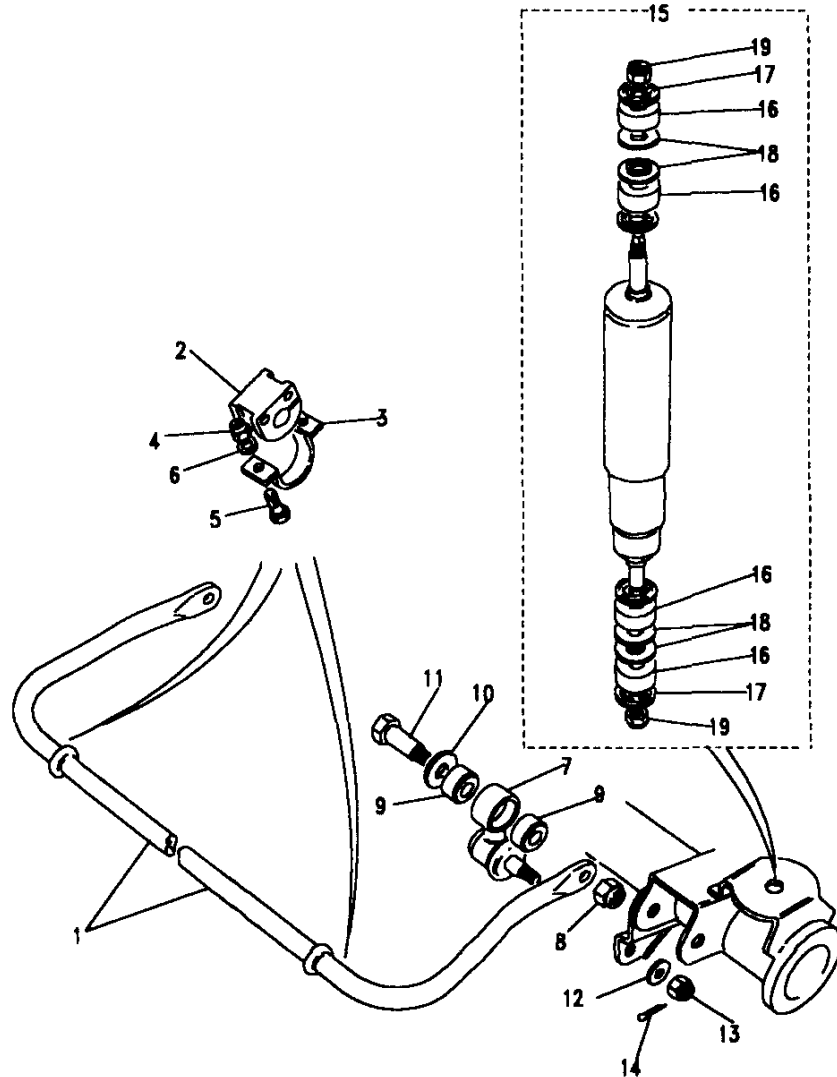
III. Part No.	Description	Qty	Remarks
1	STC825	1	Kit Damper front
2	NTC4571	2	Nut
3	ANR1895	2	Washer thrust
4	ANR1721	4	Bush rubber
5	ANR1724	1	Bracket mounting RH
	ANR1725	1	Bracket mounting LH
6	BX112201	8	Bolt
7	WA112081L	8	Washer
8	NY112051	8	Nut
9	ANR1853	2	Sensor assembly
10	FS106255L	8	Flange screw
11	NY108041L	8	Nut nyloc
12	NTC6085	2	Bump stop rubber
	ANR2420	2	Bump stop rubber
13	FS108207L	8	Screw
14	WA108051L	8	Washer Plain
15	NY108041L	8	Nut
<b>Air springs.</b>			
16	NTC9819	2	Spring air
17	STC829	2	Connector
18	NTC9822	A/R	Collet air fitting 8mm
	NTC9823	A/R	Collet air fitting 6mm
	NTC9824	A/R	Collet air fitting 4mm
	STC2764	A/R	O ring 4mm
	STC2766	A/R	O ring 6mm
	STC2768	A/R	O ring 8mm
19	ANR1220	32	Clip
20	NTC9828	2	Heatshield
21	ANR1309	2	Drive rivit

Upto LA647644  
 From MA647645

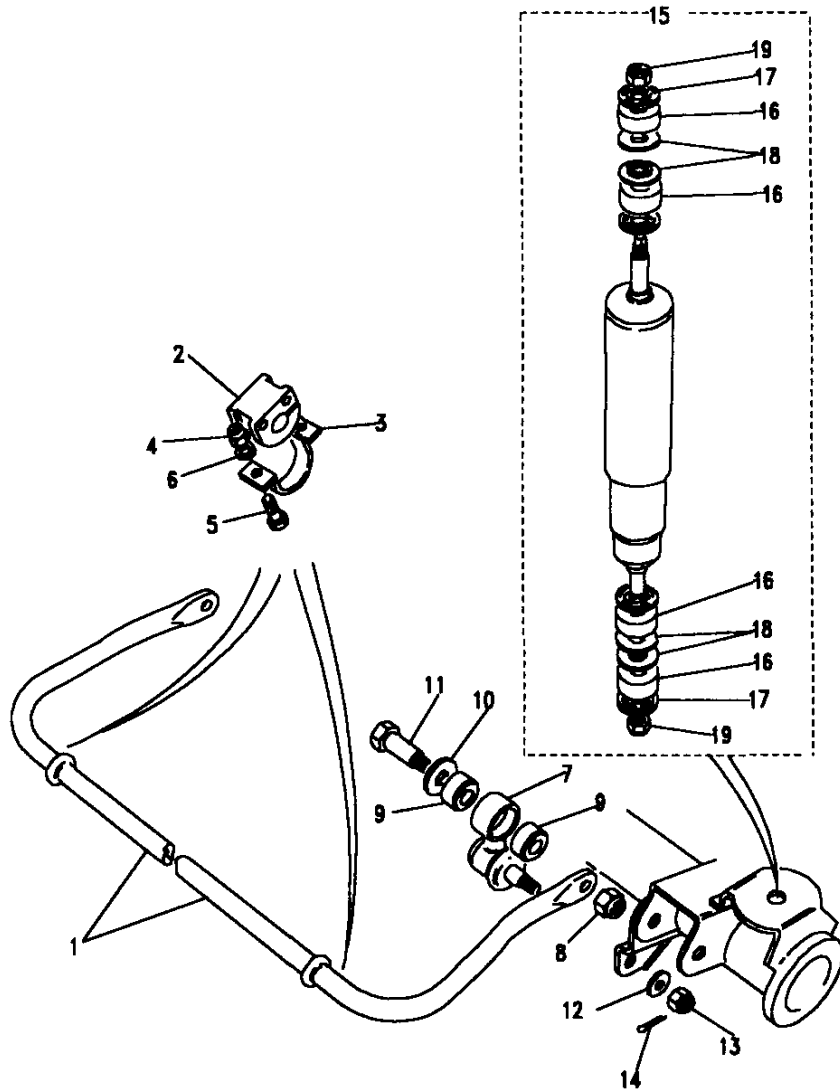
**Model** RANGE ROVER 1992 onwards  
**Page** BDEXIE1A

**FRONT SUSPENSION - ANTI-ROLL BAR & SHOCK ABSORBER.**

Ill. Part No.	Description	Qty	Remarks
<b>Non Air suspension.</b>			
1 NTC6836	Anti-roll bar front	1	
<b>With Air suspension.</b>			
NTC6837	Anti-roll bar front	1	
<b>All variants</b>			
2 NTC6828	Bush	2	
3 NTC6776	Strap	2	
4 NY110041L	Nut	4	
5 SH110351L	Screw	4	
6 WA110061L	Washer	4	
7 NTC1888	Ball joint assembly	2	
8 NV116041L	Nut	2	
9 552819	Bush	4	
10 264024	Washer plain	2	
11 NTC8202	Pin	2	
12 WC112081L	Washer plain	2	
13 NC112041	Nut	2	
14 PS105251	Pin split	2	







**Model** RANGE ROVER 1992 onwards  
**Page** BDEXIE1A

**FRONT SUSPENSION - ANTI-ROLL BAR & SHOCK ABSORBER.**

III. Part No.	Description	Qty	Remarks
<b>Dampers.</b>			
15 STC207	Kit damper front	2	Note(1)
STC241	Kit damper front	2	Note(2)
16 552818	Bush	8	
17 500748	Retainer	8	
18 NRC4365	Washer guide	8	
19 NTC4571	Nut	4	

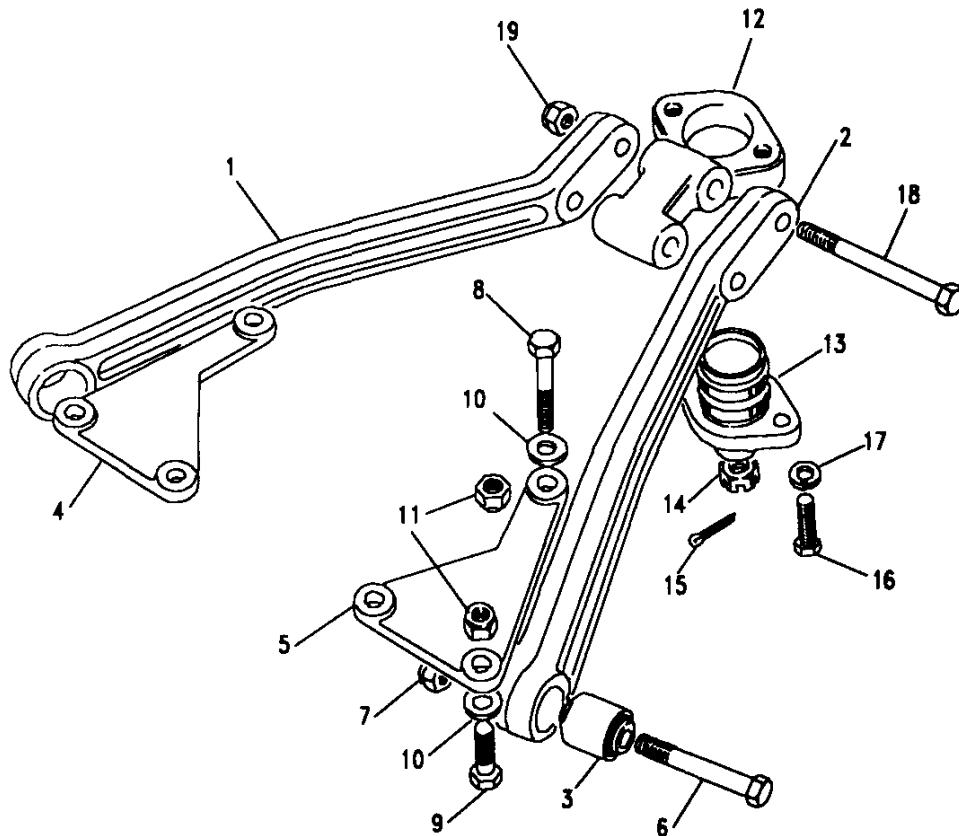
**SPORTS SUSPENSION KITS.**

<b>RHS/LHS petrol &amp; RHS diesel.</b>			
STC8046	Kit sports suspension	1	
<b>LHS diesel only.</b>			
STC8047	Kit sports suspension	1	

Note(1) Up to KA638829  
 Note(2) From KA638830  
 Note(3) For Sports Suspension kit queries please refer to Land Rover Parts Accessories Department.

Model RANGE ROVER 1992 onwards  
 Page BDEXKA1A

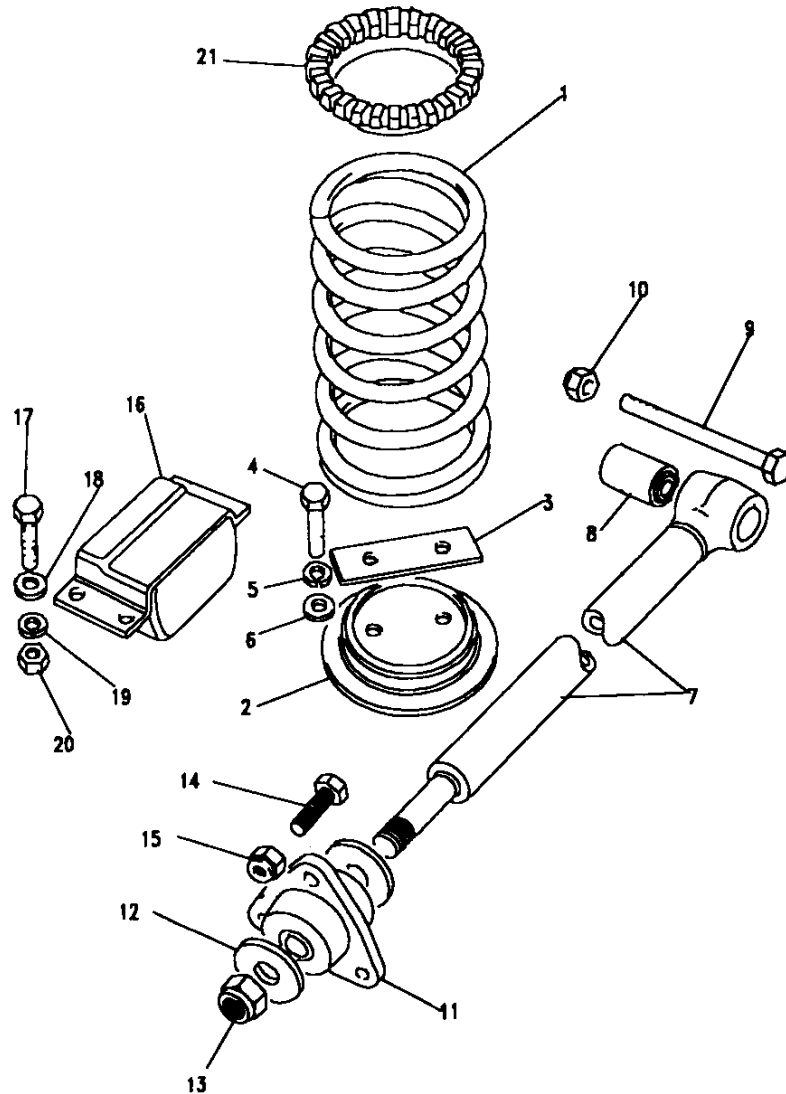
REAR SUSPENSION - TOP LINK AND BUSH.



III. Part No.	Description	Qty	Remarks
1	NTC2706	1	Link assembly upper RH
2	NTC2707	1	Link assembly upper LH
3	NTC1773	2	Bush
4	575615	1	Bracket mounting RH
5	575616	1	Bracket mounting LH
6	BH612321	2	Bolt
7	NY612041	2	Nut
8	BX110111L	2	Bolt
9	BX110091L	4	Bolt
10	WC110061L	4	Washer plain
11	NY110051L	4	Nut
12	90575878	1	Bracket fulcrum
	ANR3037	1	Bracket fulcrum
13	NTC9932	1	Ball Joint
	ANR1799	1	Ball Joint
14	NTC4618	1	Nut
15	PS608101L	1	Pin split
	PS106321L	1	Pin split
16	SH605081L	2	Bolt
	FS108201	2	Bolt
17	WM600051L	2	Washer spring
18	253952	2	Bush
19	NY608041L	2	Nut nyloc

Note(1) Up to KA638682  
 Note(2) From KA638683  
 Note(3) Up to JA620782  
 Note(4) From JA620783

T3 6155



**Model** RANGE ROVER 1992 onwards  
**Page** BDEXKC1A

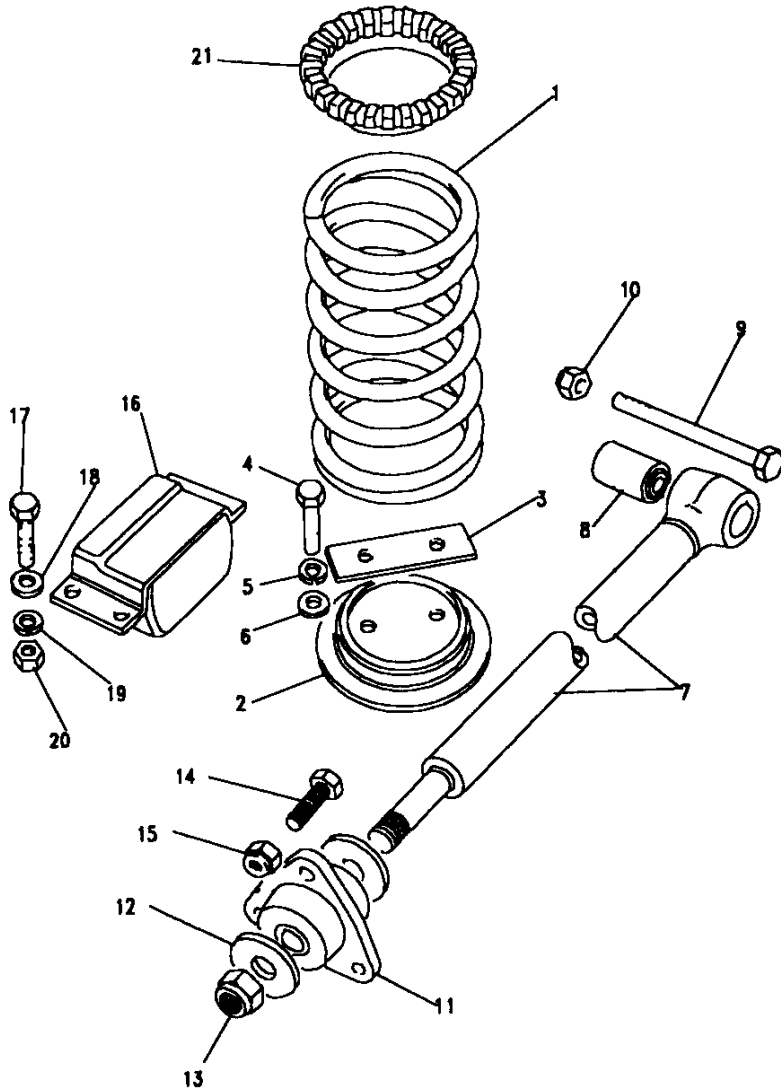
**REAR SUSPENSION - SPRINGS & BOTTOM LINK.**

III. Part No.	Description	Qty	Remarks
<b>Petrol &amp; Diesel RHS.</b>			
1 NRC2119	Spring rear	2	Note(1,2)
ANR3520	Spring rear	2	Note(3)
<b>Petrol &amp; Diesel LHS.</b>			
NRC4305	Spring rear LH	1	Note(2,4)
ANR3519	Spring road LH	1	Note(3)
NRC2119	Spring rear RH	1	Note(1,2)
ANR3520	Spring road RH	1	Note(3)
<b>All variants</b>			
2 NRC9700	Seat spring lower	2	
3 90575751	Retainer spring	2	Upto KA638829
NTC6106	Retainer spring	2	From KA638830
4 SH606081L	Bolt	4	
5 WM600061L	Washer spring	4	
6 4266L	Washer plain	4	
7 NTC8328	Bottom Link	2	
<b>Air suspension only.</b>			
NTC9846	Bottom Link	2	
<b>All variants</b>			
8 NTC1772	Bush	2	
9 BH610321L	Bolt	2	
10 NY610041L	Nut	2	

Note(1) green stripe  
 Note(2) Up to LA647644  
 Note(3) From MA647645  
 Note(4) Red/Yellow stripe

**Model** RANGE ROVER 1992 onwards  
**Page** BDEXKC1A

**REAR SUSPENSION - SPRINGS & BOTTOM LINK.**

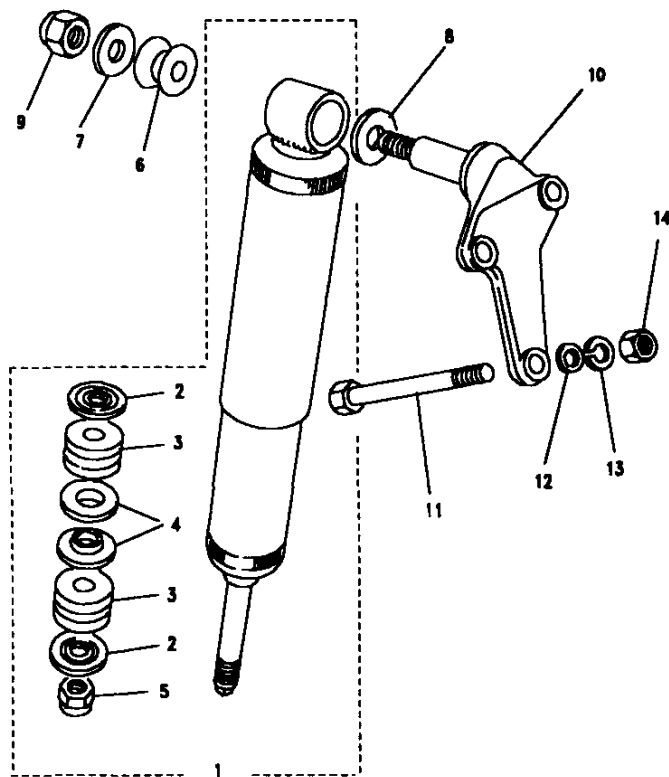


III. Part No.	Description	Qty	Remarks
11 NTC9027	Mounting flexible	2	
STC618	Mounting flexible	1	Note(1)
12 WA120001	Washer plain	2	
13 NY120041L	Nut	2	
14 SH110301	Bolt	6	
15 NY110041L	Nut	6	
16 90575789	Bump stop rubber	2	
17 SH605061L	Bolt	4	
18 3830L	Washer plain	4	
19 WM600051L	Washer spring	4	
20 NH605041L	Nut	4	
21 ANR2938	Isolater spring seat	2	

Note(1) Vehicle set.

Model RANGE ROVER 1992 onwards  
 Page BDEXKC2A

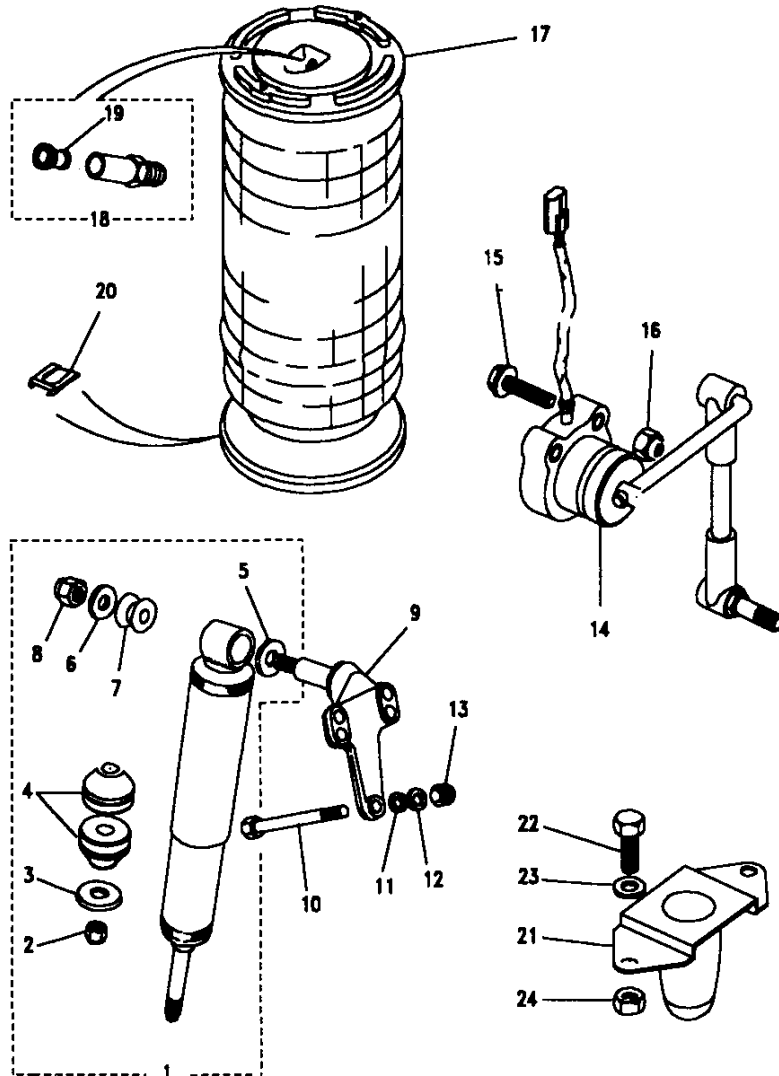
REAR SUSPENSION - SHOCK ABSORBERS - NON ANTI ROLL BAR



III. Part No.	Description	Qty	Remarks
1	STC242	2	
2	500746	4	
3	552818	4	
4	NRC6235	4	
5	NTC4571	2	
6	NRC5593	2	
7	NRC5603	2	Outer
8	NRC5602	2	Inner
9	NY112041	2	
10	NRC7981	2	
11	BH110221L	6	
12	WC110061L	6	
13	WM110001L	6	
14	FN110047	6	

**Model** RANGE ROVER 1992 onwards  
**Page** BDEXKD1A

**ELECTRONIC AIR SUSPENSION - REAR AIR SPRINGS & DAMPERS.**

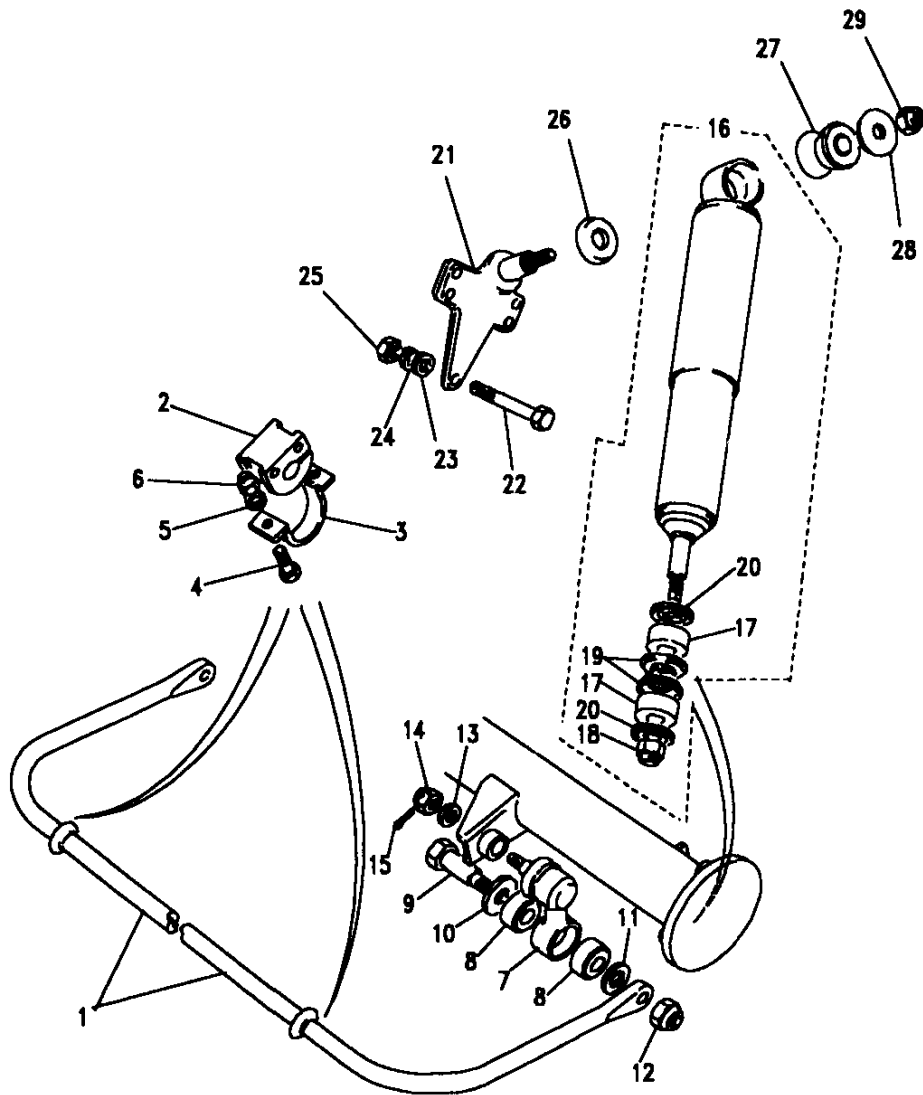


III. Part No.	Description	Qty	Remarks
1	STC826	1	Kit Damper rear
2	NTC4571	1	Nut
3	ANR1895	1	Washer thrust
4	ANR1721	2	Bush rubber
5	NRC5602	1	Retainer inner
6	NRC5603	1	Retainer outer
7	NRC5593	1	Bush rubber
8	NY112041L	1	Nut nyloc
9	NRC7981	2	Bracket mounting
10	BH110221L	6	Bolt
11	WC110061	6	Washer plain
12	WM110001	6	Washer spring
13	FN110041L	6	Nut
14	NTC9845	2	Sensor assembly
15	FS106255L	3	Flange screw
16	NY108041L	1	Nut nyloc
<b>Air springs.</b>			
17	NTC9820	2	Spring air
18	STC829	2	Connector
19	NTC9822	A/R	Collet air fitting 8mm
	NTC9823	A/R	Collet air fitting 6mm
	NTC9824	A/R	Collet air fitting 4mm
	STC2764	A/R	O ring 4mm
	STC2766	A/R	O ring 6mm
	STC2768	A/R	O ring 8mm
20	ANR1220	2	Clip retaining
21	NTC6086	2	Bump stop rubber
22	FS108201L	2	Screw
23	WA108051L	2	Washer plain
24	NY108041L	2	Nut

Model RANGE ROVER 1992 onwards  
 Page BDEXKE1A

REAR SUSPENSION - ANTI-ROLL BAR & SHOCK ABSORBER.

III. Part No.	Description	Qty	Remarks
1	NRC6221	1	Anti-Roll Bar rear
2	NTC7394	2	Bush
3	NTC6776	2	Strap
4	SH110351L	4	Screw
5	WA110061	4	Washer
6	NY110041	4	Nut
7	NTC1888	2	Ball joint
8	552819	2	Bush
9	NTC8202	2	Pin
10	264024	2	Washer
11	WC116101	2	Washer plain
12	NV116041L	2	Nut
13	WC112081L	2	Washer
14	NC112041	2	Nut castle
15	PS105251	2	Pin split

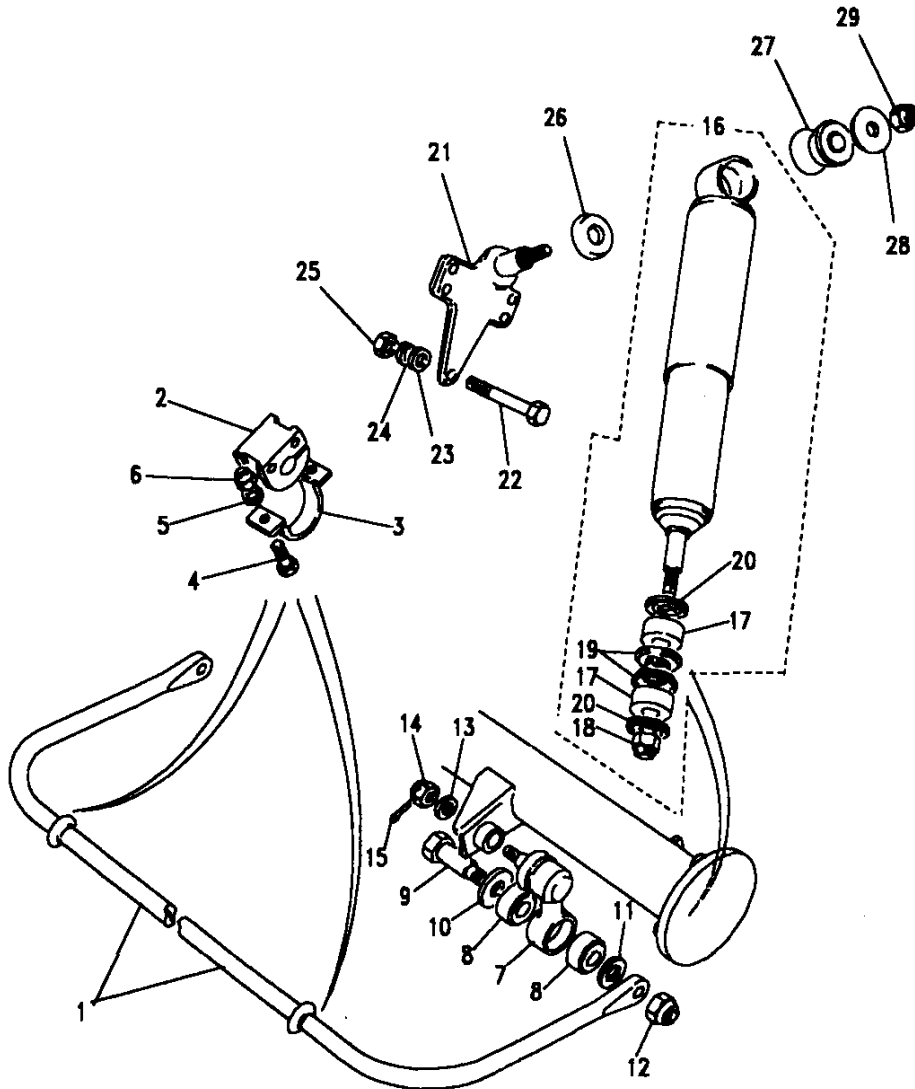


**Model** RANGE ROVER 1992 onwards  
**Page** BDEXKE1A

**REAR SUSPENSION - ANTI-ROLL BAR & SHOCK ABSORBER.**

Ill. Part No.	Description	Qty	Remarks
<b>Dampers.</b>			
16	STC208	2	Note(1)
	STC242	2	Note(2)
	STC1474	2	Note(4)
17	552818	2	Note(3)
	ANR1721	2	Note(4)
18	NTC4571	1	
19	NRC4365	2	Note(3)
	ANR1895	2	Note(4)
20	500746	2	
21	NRC7981	1	
22	BH110221L	3	
23	WC110061L	3	
24	WM110001L	3	
25	FN110047	3	
26	NRC5602	1	Inner
27	NRC5593	1	
28	NRC5603	1	Outer
29	NY112041	1	

Note(1) Up to KA638829  
 Note(2) From KA638830 up to LA647644  
 Note(3) Up to LA647644  
 Note(4) From MA647645  
 Note(5) For Sports Suspension Kits see page 301 - 302



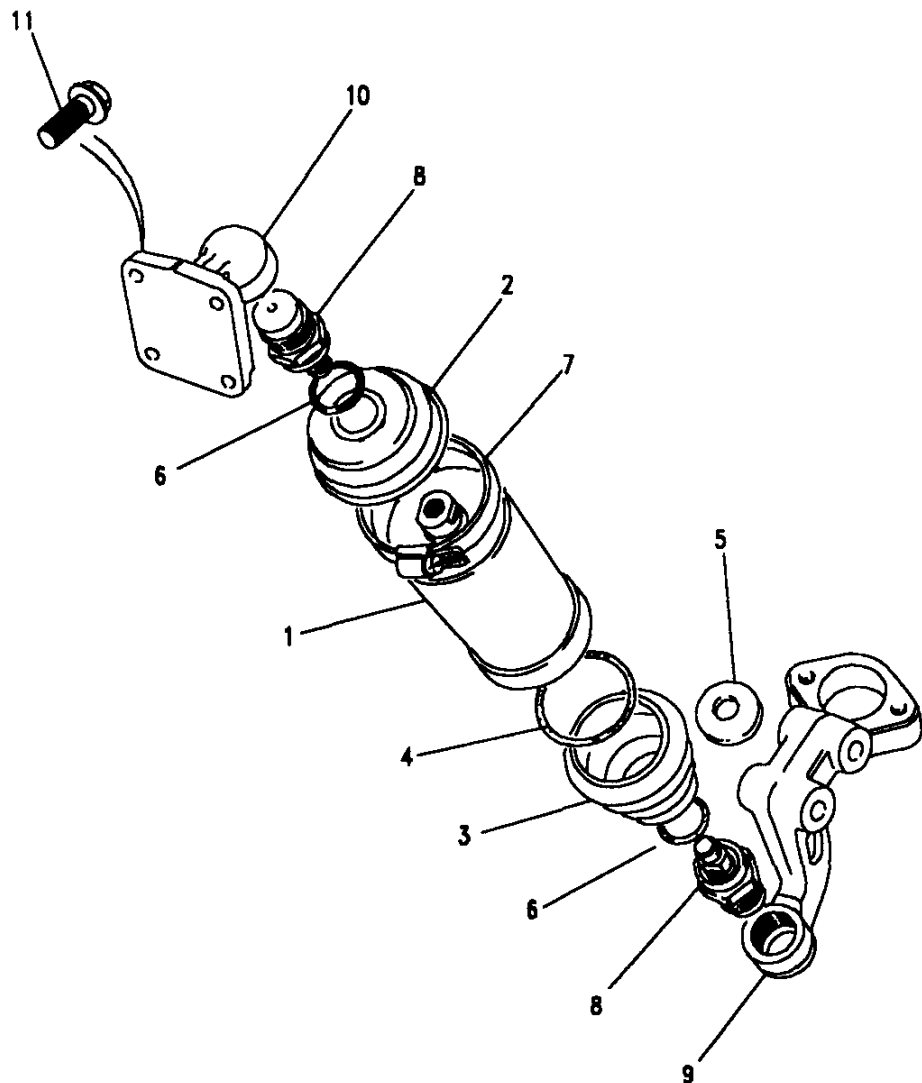


**Model** RANGE ROVER 1992 onwards  
**Page** BDEXKG1A

**REAR SUSPENSION - SELF LEVELLING UNIT.**

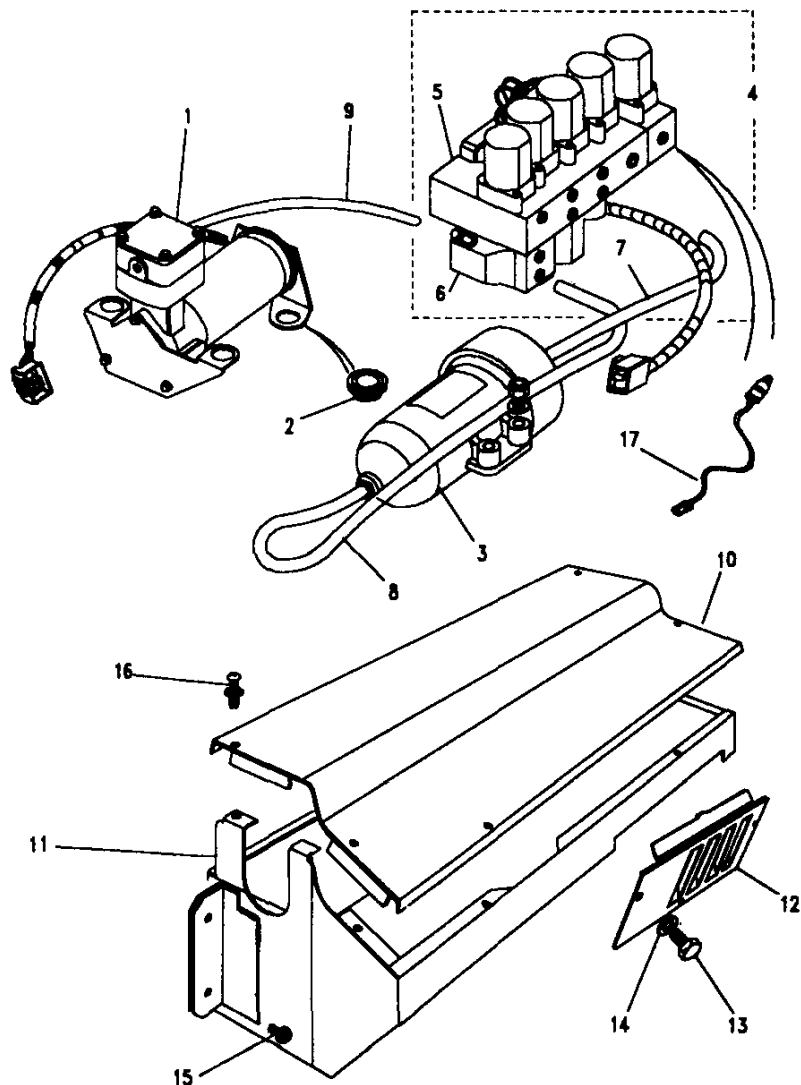
III. Part No.	Description	Qty	Remarks
1	NRC4163 Self levelling unit	1	
2	90575877 Gaiter rubber	1	
3	NRC6561 Gaiter rubber	1	
4	577703 Ring spring	1	
5	592444 Seal	1	
6	90577704 Ring spring	2	
7	RTC3519 Clip hose	1	
8	575882 Ball joint	2	
9	90575878 Bracket fulcrum	1	Note(1)
	ANR3036 Bracket fulcrum	1	Note(2)
10	NTC7462 Housing	1	
11	NTC7418 Bolt	4	

Note(1) Up to KA638682  
 Note(2) From KA638683



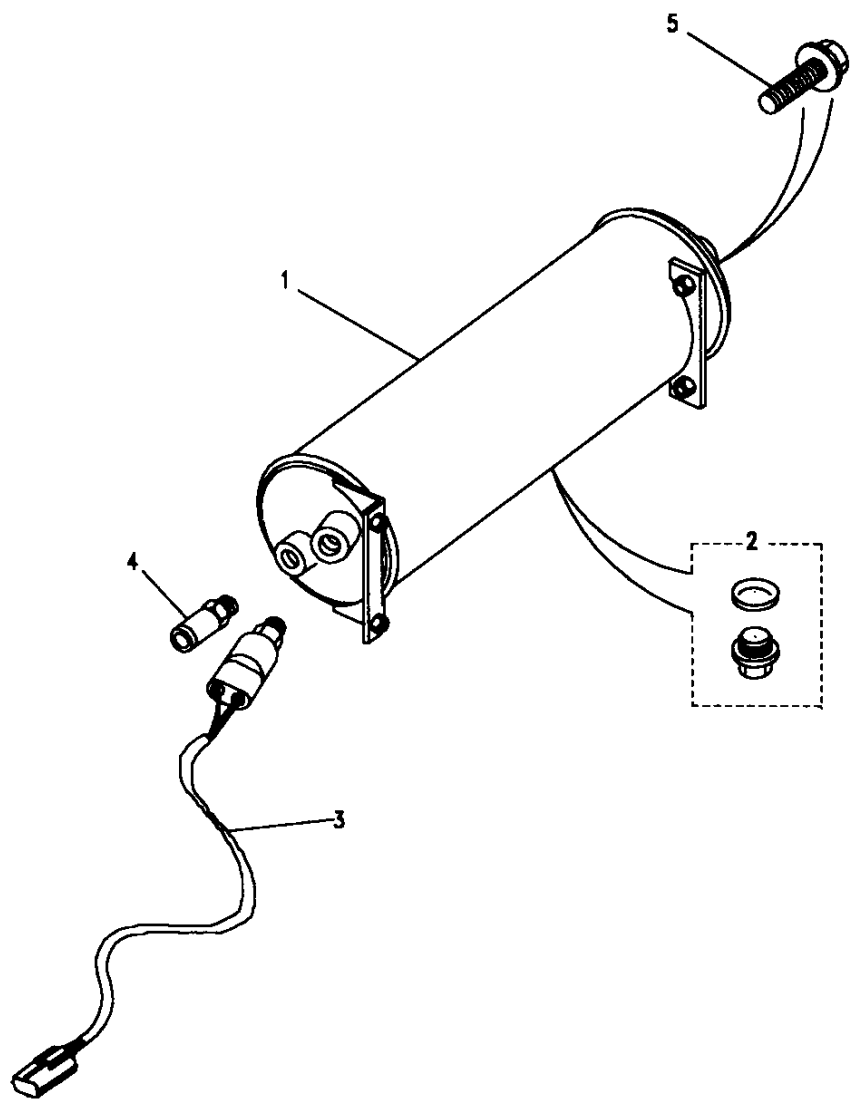
**Model** RANGE ROVER 1992 onwards  
**Page** BDEXMA1A

**ELECTRONIC AIR SUSPENSION - AIR SUPPLY & CONTROL UNITS.**



III. Part No.	Description	Qty	Remarks
1 ANR1847	Compressor Assembly	1	
2 STC828	Bush mounting	4	
3 NTC9812	Air drier	1	
4 NTC9811	Valve block assembly	1	Note(1)
5 ANR3282	Valve block	1	Note(2)(3)
6 ANR3757	Valve block	1	Note(4)
7 ANR3157	Drive box	1	Note(2)
8 NTC9815	Pipe upper	1	
9 NTC9814	Pipe lower	1	
10 STC913	Pipe assembly	1	
11 STC1472	Coupling & olive	2	
12 STC1803	Diaphragm repair kit	A/R	
13 STC2761	Solenoid repair kit	A/R	
<b>Bracketry</b>			
14 ANR1903	Air supply cover	1	
15 ANR1848	Mounting bracket	1	
16 ANR1846	Cover plate	1	
17 SH105121L	Screw	3	
18 WA105001L	Washer	3	
19 FS108161L	Screw	4	
20 ANR1308	Screw rivet	6	
21 NTC9826	Pressure switch	1	Note(4)

Note(1) Up to LA647327  
 Note(2) From LA647328  
 Note(3) Up to MA654185  
 Note(4) From MA654186



**Model** RANGE ROVER 1992 onwards  
**Page** BDEXMC1A

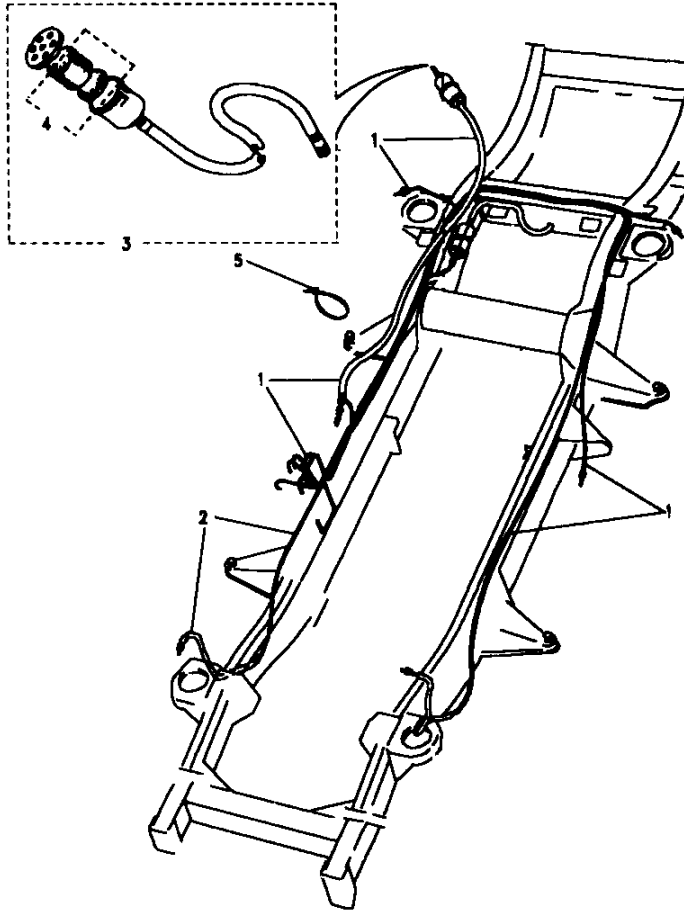
**ELECTRONIC AIR SUSPENSION - RESERVOIR ASSEMBLY.**

III. Part No.	Description	Qty	Remarks
1 NTC9825	Reservoir assembly	1	Note(1)
ANR3754	Reservoir assembly	1	Note(2)
2 STC830	Kit drain plug	1	
3 NTC9826	Pressure switch	1	Note(1)(3)
4 STC829	Connector	1	
5 FS108161L	Screw	4	

Note(1) Up to MA654292

Note(2) From MA654293

Note(3) From MA654293 pressure switch is fitted in the valve block



**Model** RANGE ROVER 1992 onwards  
**Page** BDEXMC2A

**ELECTRONIC AIR SUSPENSION - AIR HARNESS.**

III. Part No.	Description	Qty	Remarks
<b>Non L.W.B only</b>			
1 ANR1739	Air harness assembly	1	
<b>108" L.W.B only</b>			
ANR1741	Air harness assembly	1	Upto LA647644
ANR3484	Harness air suspension	1	From MA647645
<b>All variants</b>			
2 ANR1740	Pipe assembly	1	
3 NTC9847	Duct assembly air inlet	1	Note(1)
ANR2393	Duct assembly air inlet	1	Note(2)
4 STC970	Kit filter - air inlet	1	
5 568680	Cable tie	2	
STC942	Coupling	1	Note(3)
ESR1600	Harness clip	10	
STC8580	Repair connector	1	Note(4)

Note(1) Up to KA637414  
 Note(2) From KA637415  
 Note(3) Use with ANR1739 and ANR1741  
 Note(4) For repairs to damaged air harness 6mm only

MASTER INDEX

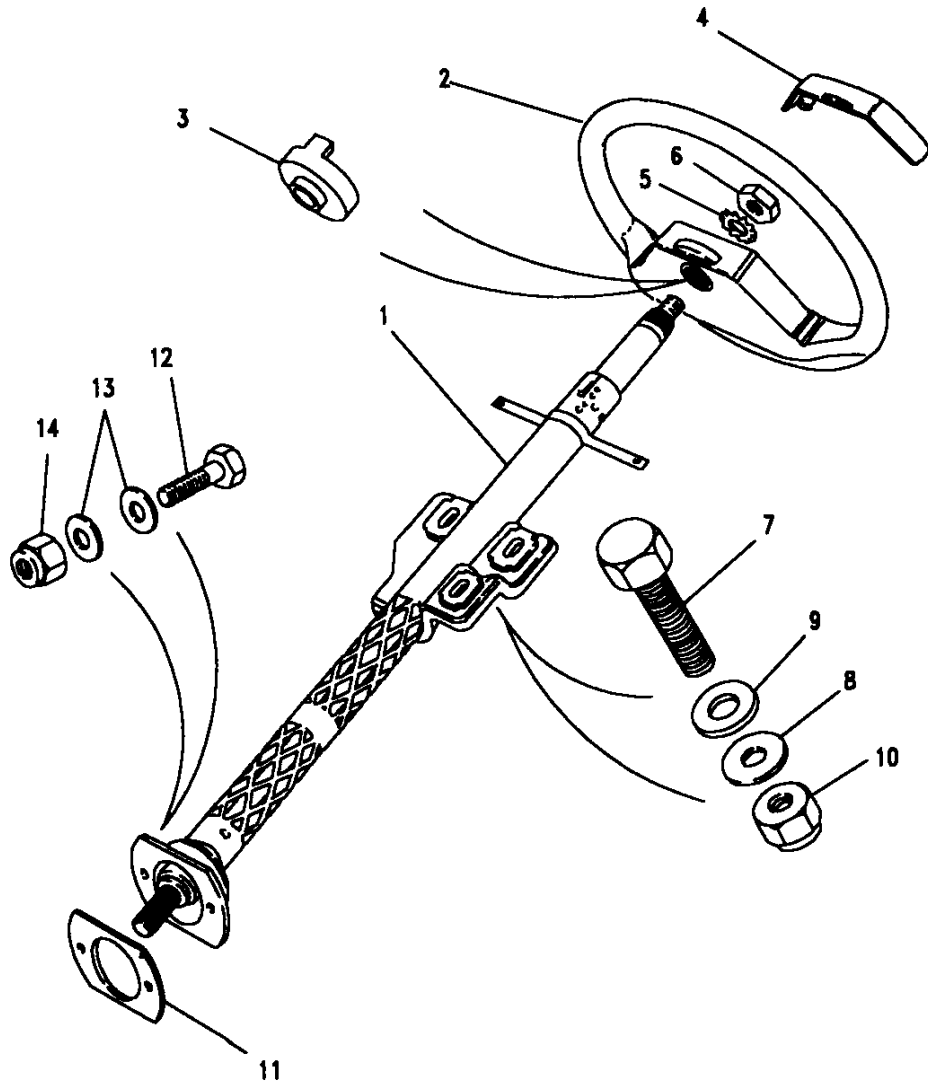
	PAGES
INTRODUCTION PAGES	1 - 3
ALPHABETICAL INDEX	4 - 9
ENGINE	10 - 50
ENGINE	51 - 88
ENGINE	89 - 133
ENGINE	134 - 172
GEARBOX	173 - 194
GEARBOX	195 - 211
GEARBOX	212 - 238
TRANSFER BOX	239 - 252
AXLES AND SUSPENSION	253 - 313
STEERING	314 - 332
VEHICLE AND ENGINE CONTROLS	333 - 343
BRAKES	344 - 374
FUEL SYSTEM AND AIR CLEANER	375 - 401
EXHAUST SYSTEM	402 - 409
COOLING/HEATING	410 - 456
BODY ELECTRICAL	457 - 574
BODY AND CHASSIS	575 - 681
INTERIOR TRIM	682 - 772
SEATS	773 - 843
SEATS	844 - 862
STOWAGE	863 - 865
ACCESSORIES - PAINTS	866 - 893
NUMERICAL INDEX	895 - 958

GROUP F

STEERING

STEERING

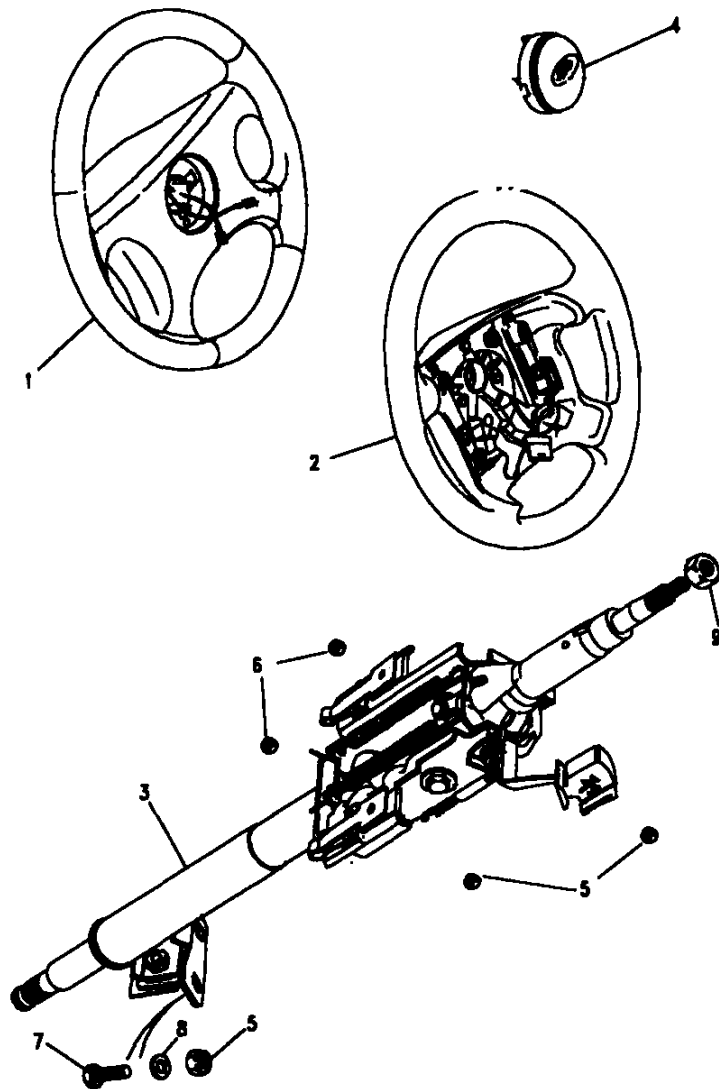
STEERING WHEEL AND COLUMN - Up to LA647644	315
STEERING WHEEL AND COLUMN - From MA647645	316
LOWER STEERING SHAFT.	317 - 318
IGNITION SWITCH & HOUSING.	319
COLUMN SUPPORT.	320
STEERING BOX.	321 - 322
HOUSING & SELECTOR SHAFT.	323
PISTON & VALVE.	324
TRACK RODS	325
DAMPER.	326
OIL RESERVOIR - PETROL.	327
OIL RESERVOIR - DIESEL.	328
POWER STEERING HOSES - PETROL.	329 - 330
POWER STEERING HOSES - DIESEL.	331 - 332



**Model** RANGE ROVER 1992 onwards  
**Page** BDFXAA1A

**STEERING - STEERING WHEEL AND COLUMN - Up to LA647644**

III. Part No.	Description	Qty	Remarks
1 NTC7821	Column steering	1	
<b>Non leather.</b>			
2 NTC5456RUN	Wheel steering	1	
<b>Leather</b>			
NTC5460RUN	Wheel steering	1	Cruise Control
NTC6126	Wheel steering	1	
<b>All variants</b>			
3 NTC3853	Moulding switch trip	1	
4 NTC5689RUN	Moulding	1	
5 WE600091	Washer shakeproof	1	
6 577389	Nut	1	
7 SH606101L	Bolt	3	
8 2851L	Washer plain	3	
9 3036L	Washer plain	3	
10 NY606041L	Nut	3	
11 575733	Gasket	1	
12 SH605071L	Screw	2	
13 RTC613	Washer	4	
14 NY605041L	Nut	2	



**Model** RANGE ROVER 1992 onwards

**Page** BDFXAA1B

**STEERING - STEERING WHEEL AND COLUMN - From MA647645**

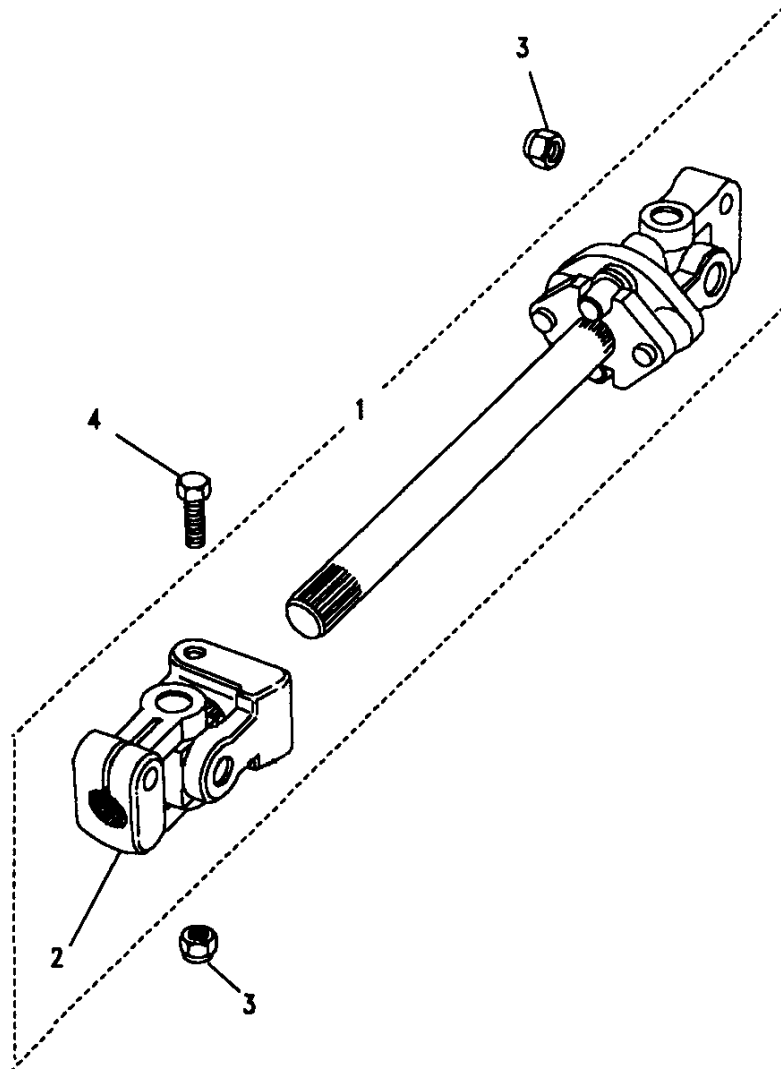
Ill. Part No.	Description	Qty	Remarks
1	NTC9940LNF	1	non leather
	NTC9945LNF	1	leather
<b>With Cruise Control</b>			
1	NTC9946LNF	1	leather
<b>With Passive Restraint</b>			
2	NTC9948LNF	1	leather
<b>With Cruise Control &amp; Passive Restraint</b>			
2	NTC9949LNF	1	leather
3	ANR3653	1	Note(1)
	ANR3654	1	Note(2)
<b>All variants</b>			
4	NTC9939LNF	1	
5	QYH10005L	2	
6	CLP9089L	2	
7	SH108161L	2	
8	WA108051L	2	
9	DBP3067L	1	
	ANR3202	1	
	ANR2933	1	

Note(1) For vehicles without Cruise Control or Passive Restraint.  
 Note(2) For vehicles with Cruise Control and/or Passive Restraint.  
 Note(3) For passive restraint parts see:prefrefid = BDMXCK1A

**Model** RANGE ROVER 1992 onwards  
**Page** BDFXAA2A

**STEERING - LOWER STEERING SHAFT.**

III. Part No.	Description	Qty	Remarks
Up to LA647644			
1	Shaft steering	1	
2	Joint universal	1	
3	Bolt	3	
4	Nut	3	

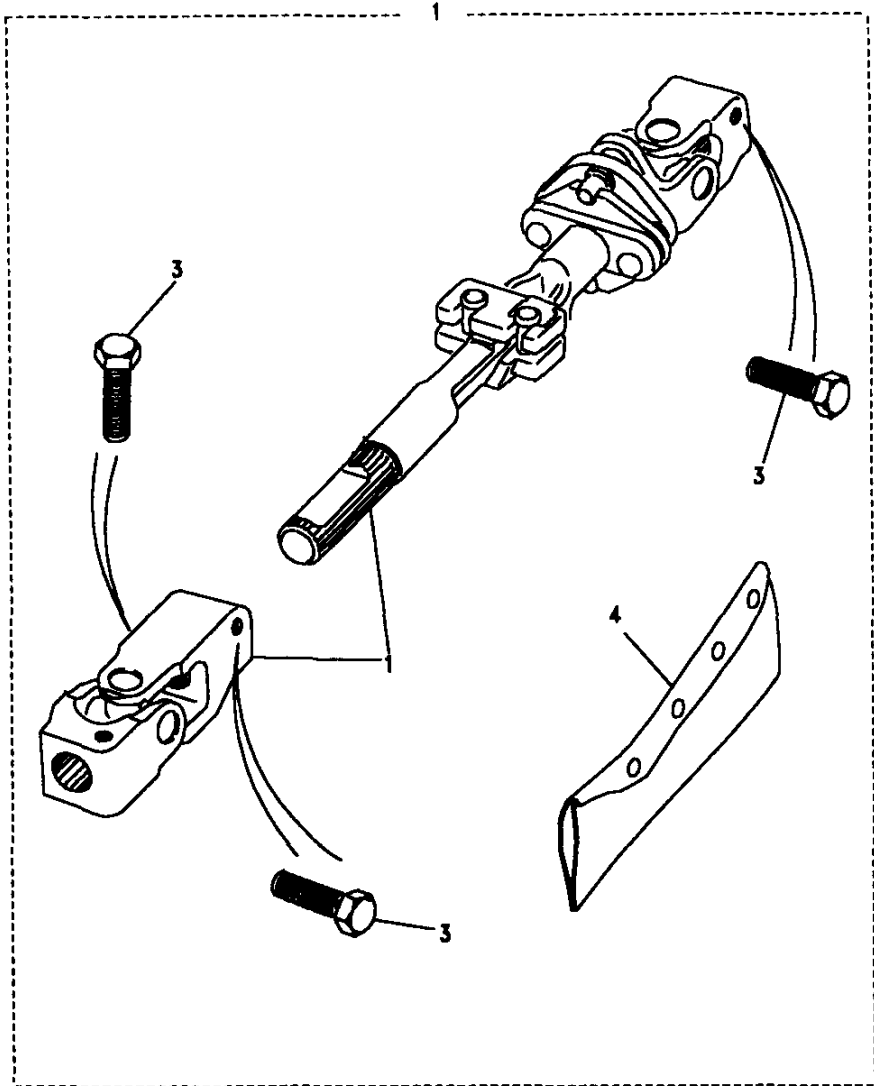




**Model** RANGE ROVER 1992 onwards  
**Page** BDFXAA3A

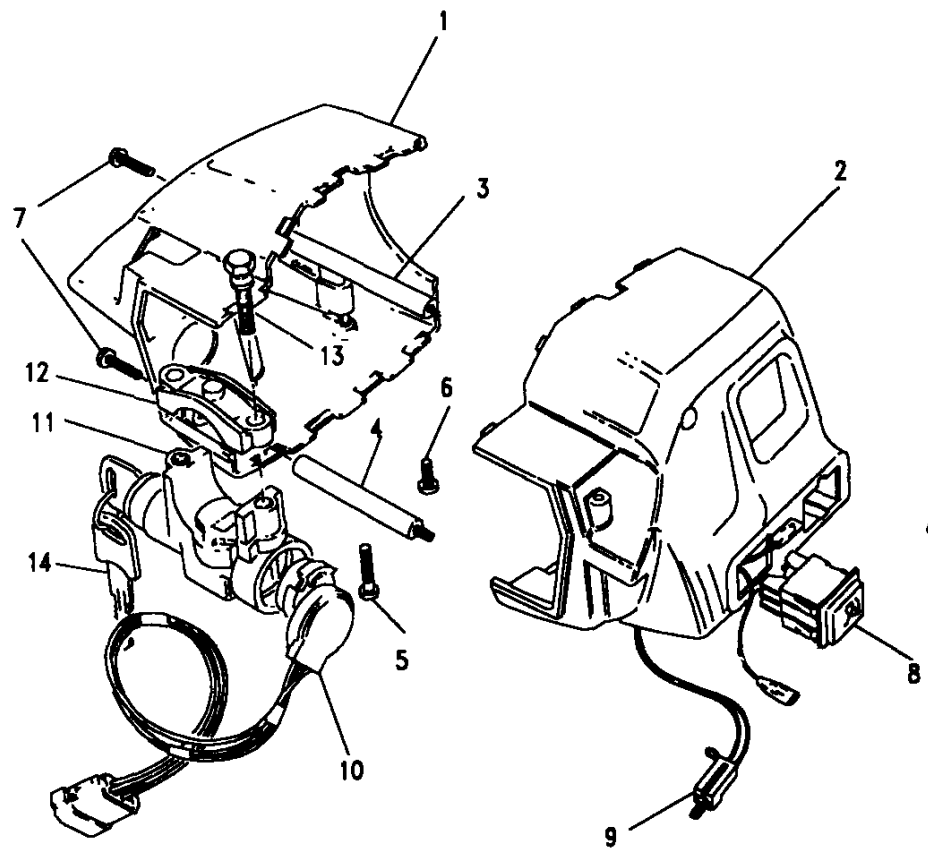
**STEERING - LOWER STEERING SHAFT.**

Ill. Part No.	Description	Qty	Remarks
<b>From MA647645</b>			
1	ANR3171 Shaft steering	1	
2	STC2800 Joint universal	1	
3	BH108071L Bolt M8	3	
4	ANR3518 Heat shield	1	Petrol only



**Model** RANGE ROVER 1992 onwards  
**Page** BDFXCA1A

**STEERING - IGNITION SWITCH & HOUSING.**



III. Part No.	Description	Qty	Remarks
1 MWC5340RUN	Shroud RH	1	Upto LA647644
2 MWC9921RUN	Shroud LH	1	Upto LA647644
QRB10006LNF	Shroud set	1	From MA647645
3 MWC1846	Spacer	1	Upper
4 MWC1847	Spacer	1	Lower
5 SE104161L	Screw	1	
6 AB606141L	Screw	2	
7 AC606081L	Screw	1	
8 PRC7130	Switch	1	Upto LA647644
AMR2191	Switch fuel flap	1	From MA647645
9 PRC7142	Link lead	1	
10 STC1643	Harness assy	1	
STC932	Switch ignition	1	
<b>All territories except Japan</b>			
11 PRC8907	Lock steering column	1	Up to LA647644
NTC9951	Lock steering column	1	From MA647645
<b>Japan only - with shift Interlocking.</b>			
NTC9440	Lock steering column	1	Note(1)
NTC9588	Lock steering column	1	Note(2)
NTC9952	Lock steering column	1	Note(3)
<b>All variants</b>			
12 589238	Clamp	1	
13 NTC4610	Bolt	2	
14 MUC2153	Key blank	1	

Note(1) Up to JA624755  
 Note(2) From KA624756 up to LA647644  
 Note(3) From MA647645  
 Note(4) FOR COMPLETE LOCKSETS SEE page 648 - 653

**Model** RANGE ROVER 1992 onwards  
**Page** BDFXE1A

**STEERING - COLUMN SUPPORT.**

**III. Part No. Description Qty Remarks**

**LHS**

1 ALR1475 Support 1 Note(1)  
 ALR3723 Support 1 Note(2)

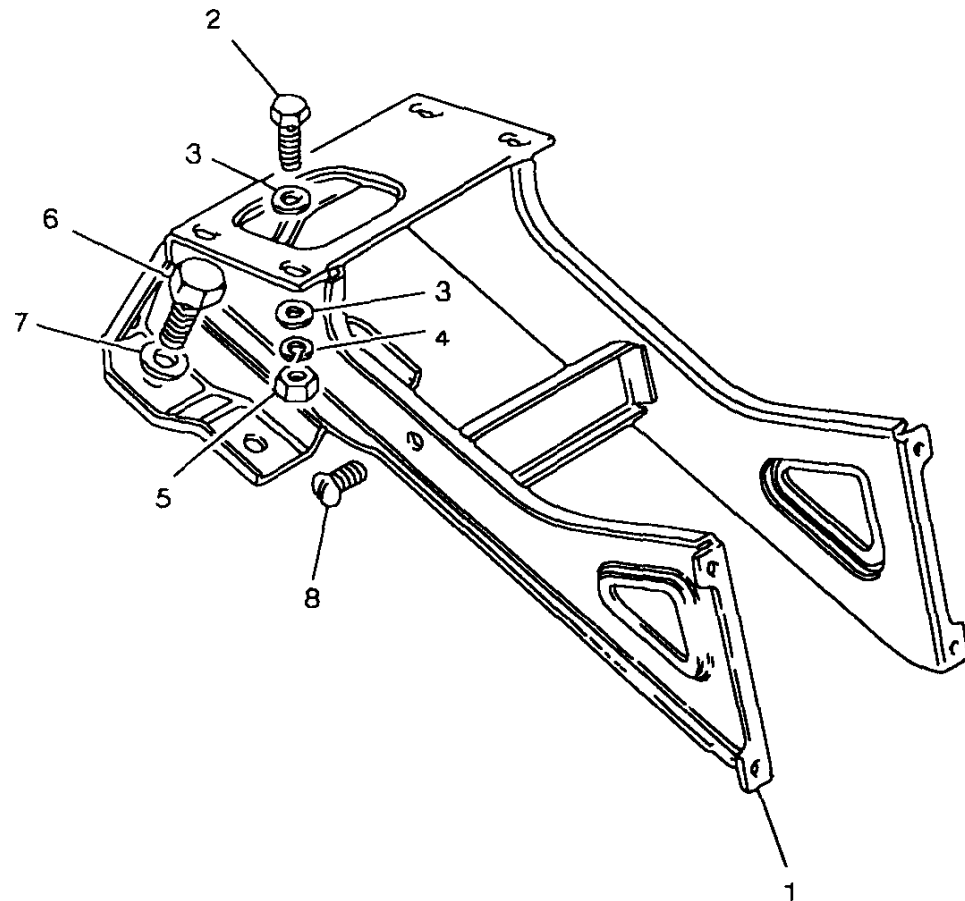
**RHS**

ALR1476 Support 1 Note(1)  
 ALR3722 Support 1 Note(2)

**All variants**

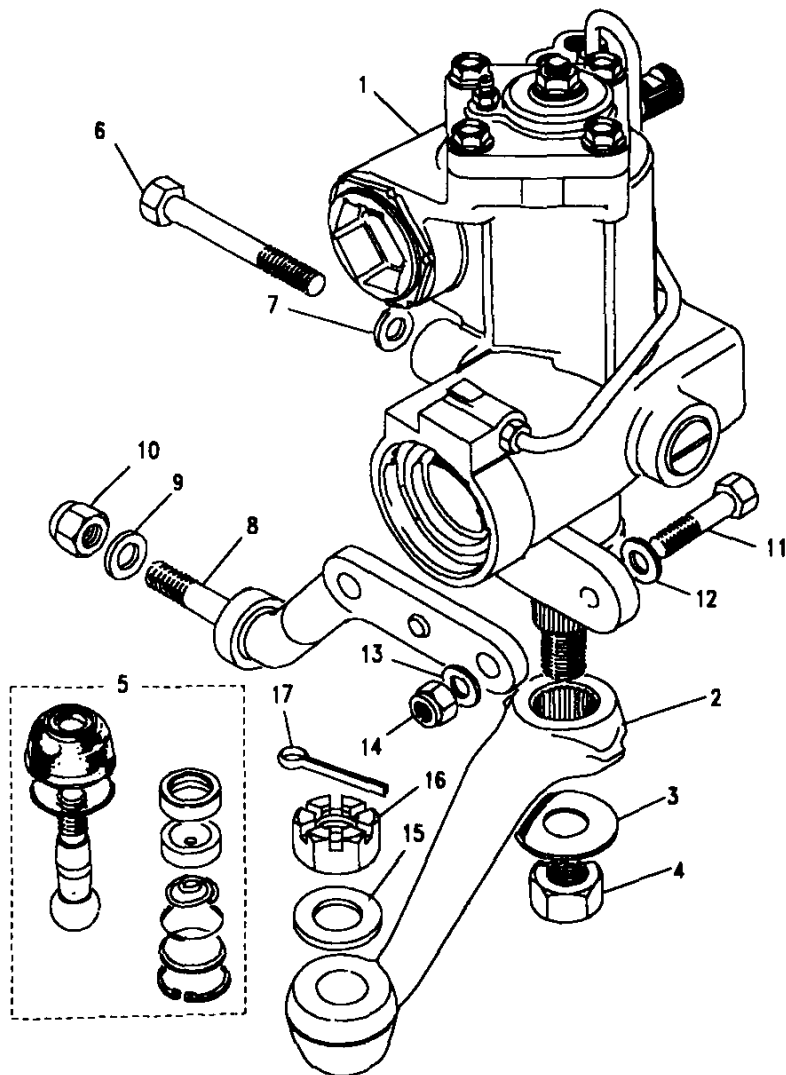
2 SH605061L Bolt 4  
 3 RTC613 Washer plain 8  
 4 WM600051L Washer spring 4  
 5 NH605041L Nut 4  
 6 255249 Bolt 3  
 7 3036L Washer plain 3  
 8 72628 Screw 1

Note(1) Up to JA624755  
 Note(2) From KA624756



**Model** RANGE ROVER 1992 onwards  
**Page** BDFXGC1A

**STEERING - STEERING BOX.**

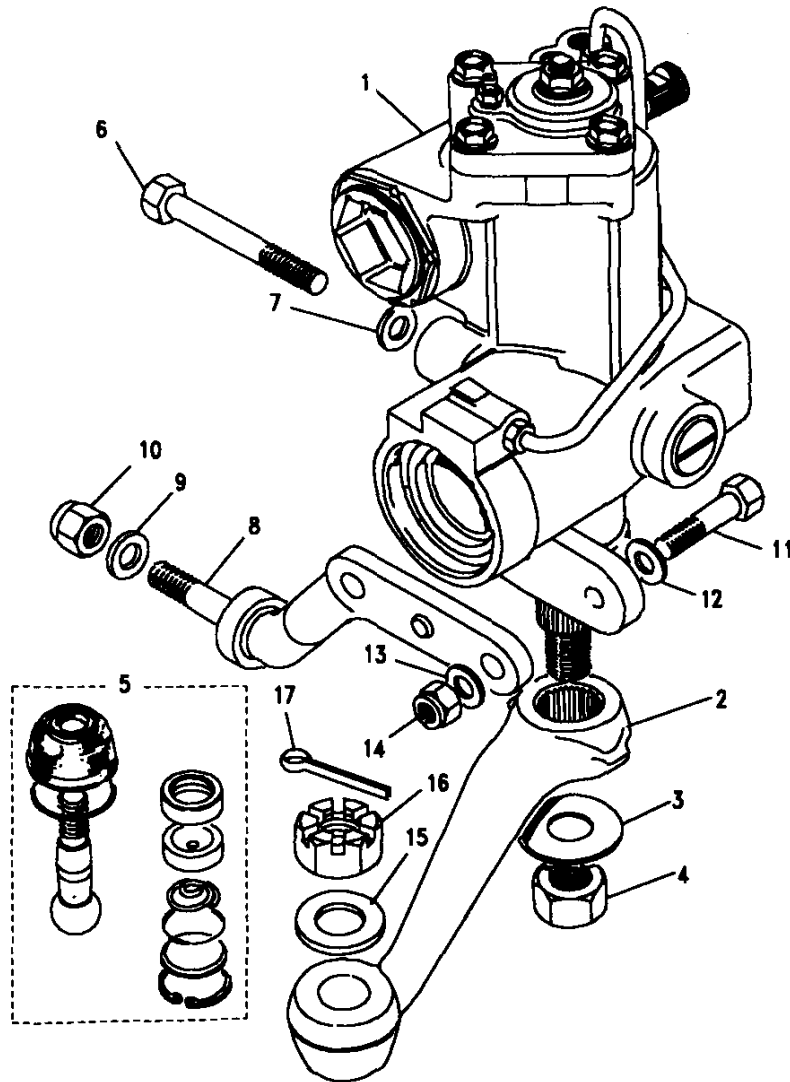


Ill. Part No.	Description	Qty	Remarks
<b>RHS.</b>			
	NTC8416E	1)	Steering box
	STC8384E	1)	Steering box lightweight
	STC8382E	1)	Steering box heavyweight
1	STC398	1	Steering box
	STC837	1	Steering box
	STC887	1	Steering box
2	RTC6396	1	Drop arm
	NTC9236	1	Drop arm
<b>LHS.</b>			
1	STC888	1	Steering box
	STC8083E	1 )	Steering box lightweight
	STC8081E	1 )	Steering box heavyweight
2	RTC6397	1	Drop arm
	NTC9235	1	Drop arm

Note(1) For information on exchange units contact parts marketing Solihull  
 Note(2) Up to JA621323  
 Note(3) From JA621324 up to Vin JA624755  
 Note(4) From KA624756  
 Note(5) Up to JA621323 (RHS) & JA621350 (LHS)  
 Note(6) From JA621324 (RHS) & JA621351 (LHS)  
 Note(7) Steering box does NOT include drop arm.

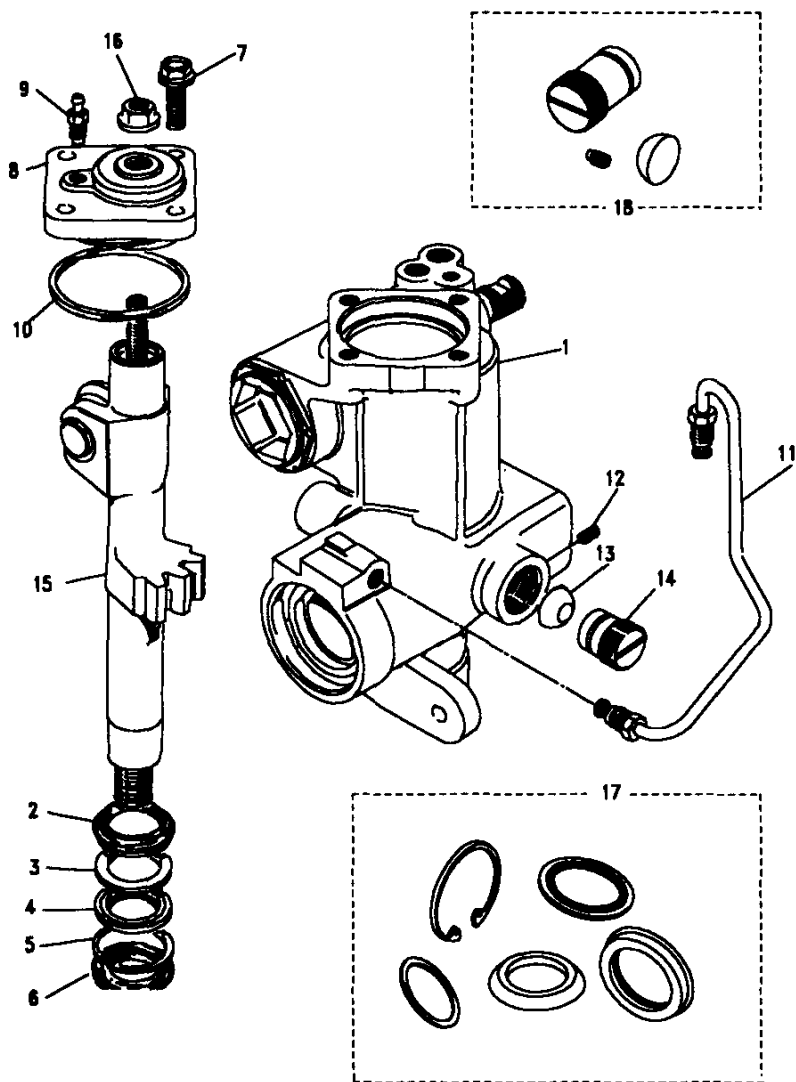
**Model** RANGE ROVER 1992 onwards  
**Page** BDFXGC1A

**STEERING - STEERING BOX.**



Ill. Part No.	Description	Qty	Remarks
<b>All variants</b>			
3	600265	1	Washer
4	NT614041L	1	Nut
5	RTC4198	1	Kit ball joint repair
6	BX112201	4	Bolt
7	WA112081L	4	Washer plain
8	594947	1	Tie Bar RHS
	594946	1	Tie Bar LHS
	ANR2994	1	Tie Bar L/RHS
			Upto LA647644
			From MA647645
9	4905	1	Washer plain
10	NY608041L	1	Nut
11	BH607161L	2	Bolt
12	3261L	2	Washer plain
13	217245	2	Washer plain
14	NY607041L	2	Nut
15	WC112081L	1	Washer plain
16	NC112041	1	Nut
17	PS105321	1	Split Pin
	STC844	1	Seal dirt
			Note(1)

Note(1) From JA621324.



**Model** RANGE ROVER 1992 onwards  
**Page** BDFXGC2A

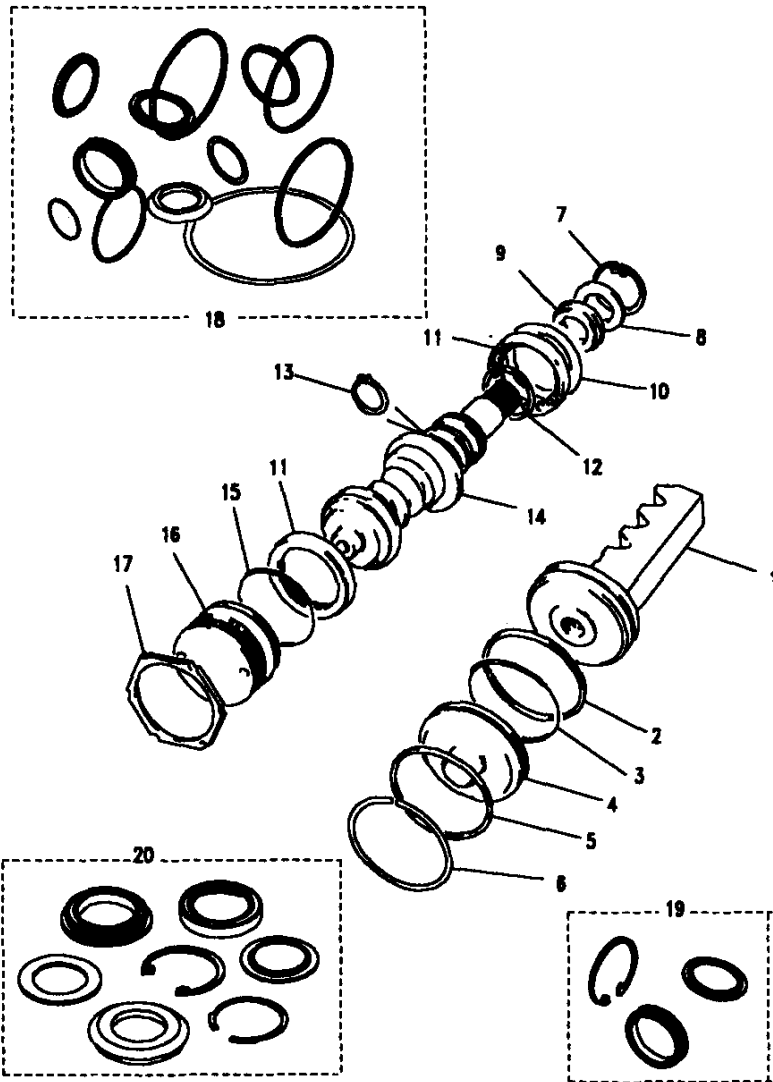
**STEERING - HOUSING & SELECTOR SHAFT.**

III. Part No.	Description	Qty	Remarks
1	Housing assembly	1	Note(3)
2	Housing assembly	1	Note(3)
3	Seal	1	)
3	Washer	1	)
4	Seal	1	)Note(1)
5	Circlip	1	)
6	Dust seal	1	)
7	RTC4393 Screw	4	
8	Cover assembly	1	Note(3)
9	RTC4395 Screw bleed	1	
10	RTC4412 Kit Seal	1	
11	RTC4400 Pipe assembly	1	RHS
11	RTC4401 Pipe assembly	1	LHS
12	Screw	1	)
13	Pad	1	)Note(2)
14	Screw	1	)
15	RTC4398 Sector shaft	1	RH Stg
15	RTC4399 Sector shaft	1	LH Stg
16	RTC4394 Nut	1	
17	STC1042 Kit seals	1	
18	STC1040 Kit seals	1	

Note(1) Not serviced separately - Part of Kit STC1042.  
 Note(2) Not serviced separately - Part of Kit STC1040.  
 Note(3) Not serviced separately - Use Complete Box Assembly.

**Model** RANGE ROVER 1992 onwards  
**Page** BDFXGC3A

**STEERING - PISTON & VALVE.**



Ill. Part No.	Description	Qty	Remarks
1	RTC4402	1	Piston
2		1	Ring teflon
3		1	O Ring
4	RTC4403	1	Cover
5		1	Seal
6	RTC4404	1	Ring retaining
7		1	Circlip
8		1	Washer seal
9		1	Seal rotor
10	RTC4410	1	Shim set
11	RTC4409	2	Bearing
12	608000	3	Ring teflon
13	606567	1	Circlip
14	RTC4405	1	Worm & valve assembly
	RTC4406	1	Worm & valve assembly
15		1	Seal
16	RTC4407	1	Screw adjusting
17	RTC4408	1	Nut
18	RTC4412	1	Kit seals (overhaul)
	STC890	1	Kit seals (overhaul)
19	STC1041	1	Kit seals (input shaft)
20	STC889	1	Kit seals (input shaft)

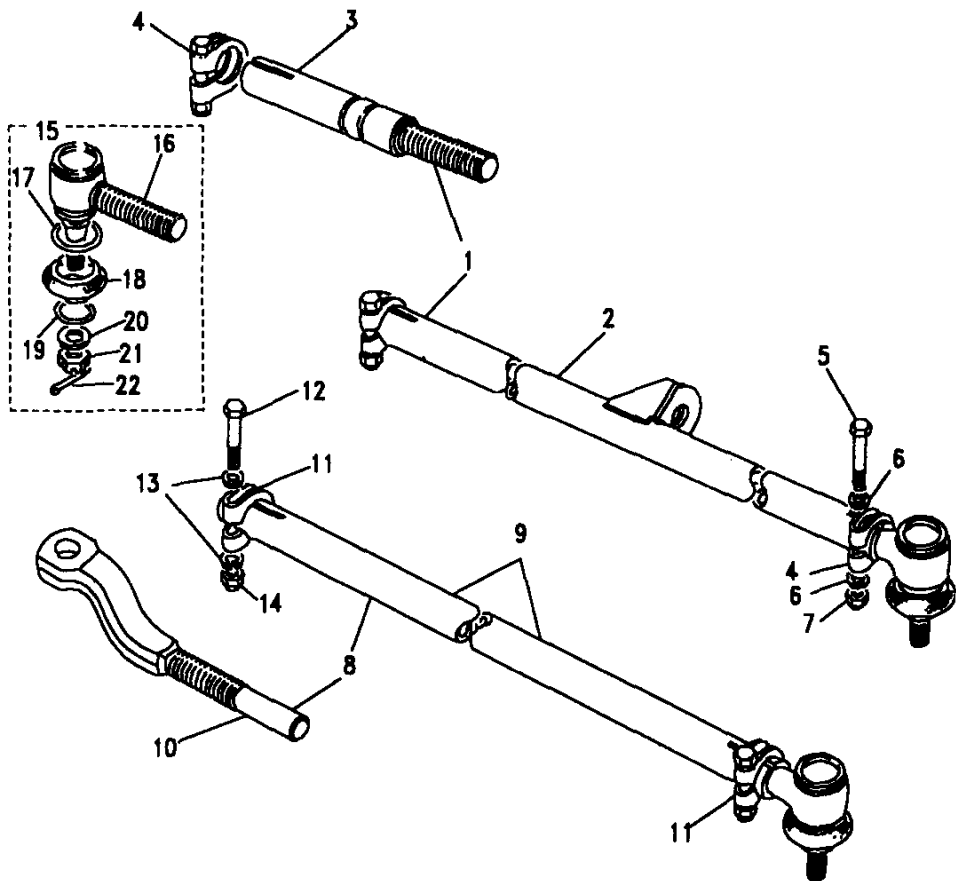
Note(1) Part of seal kit RTC4412.  
 Note(2) Part of seal kit STC1041.  
 Note(3) Up to JA624755  
 Note(4) From KA624756

Model RANGE ROVER 1992 onwards  
 Page BDFXKA1A

STEERING - TRACK RODS

III. Part No.	Description	Qty	Remarks
1	RTC1799	1	Track rod assembly
2	NRC145	1	Tube track rod
3	NRC4700	1	Shaft adjusting
4	577898	3	Clip
5	BH604151L	3	Bolt
6	WA106041L	6	Washer plain
7	NV604141L	3	Nut
8	NRC3226	1	Cross Rod Assembly
	NTC9607	1	Cross Rod Assembly
9	NRC1824	1	Cross rod tube
	NTC8390	1	Cross rod tube
10	NRC1823	1	Eye cross rod
11	577898	2	Clip
12	256006	2	Bolt
13	WB106041L	4	Washer plain
14	252210	2	Nut
15	RTC5869	3	Ball joint assembly
	RTC5870	1	Ball joint assembly
16	214662	3	Retainer
17	214685	3	Ring spring
18	214649	3	Gaiter
19	90214684	3	Ring spring
20	WC112081L	2	Washer plain
21	NC112041	3	Nut
22	PS105321	3	Pin split

Note(1) Up to JA018174.  
 Note(2) From JA018175.



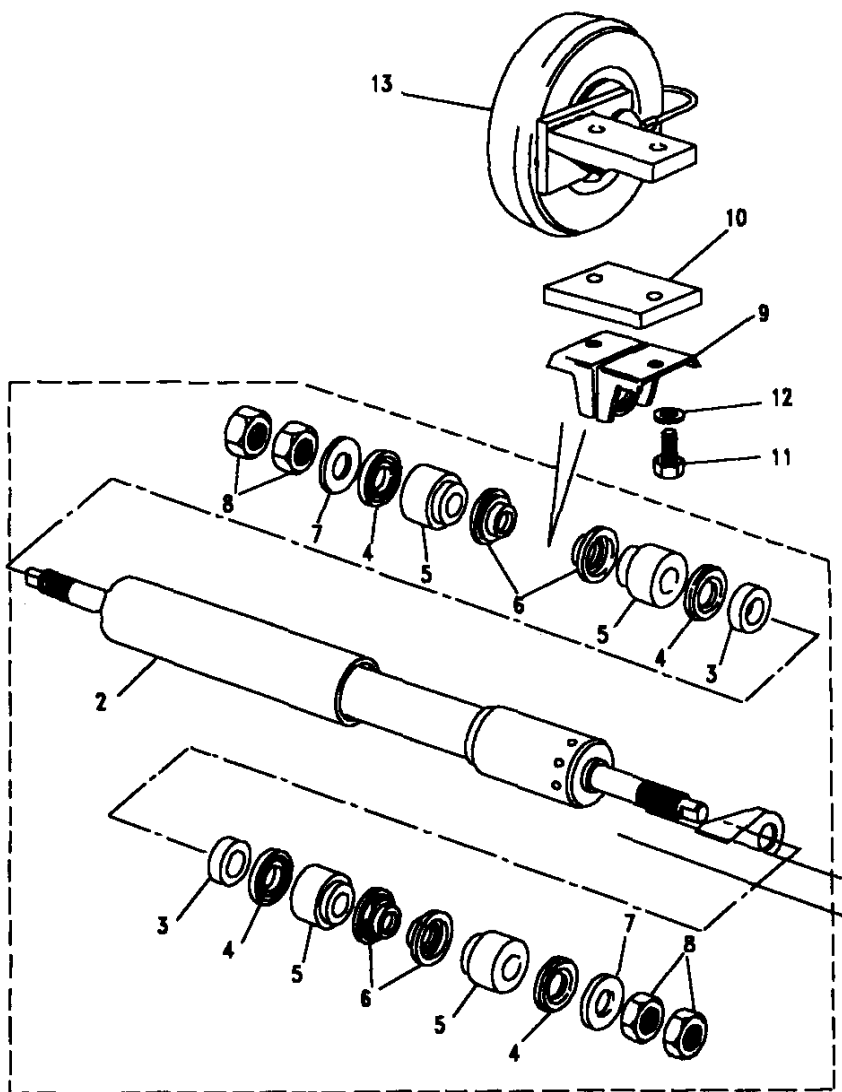


**Model** RANGE ROVER 1992 onwards  
**Page** BDFXMA1A

**STEERING - DAMPER.**

Ill. Part No.	Description	Qty	Remarks
1	RTC3670	1	Note(1)
	STC786	1	Note(2)
2	Damper	1	Note(3)
3	595199	2	
4	90575597	4	
5	568858	4	
6	543819	4	
7	2851L	2	
8	AFU4214	4	
9	90575596	1	
10	NTC3038	1	Diesel Only
11	BH406101L	2	
12	WM600061L	2	
13	RTC6825	1	Note(4)
	ANR2803	1	Note(4)
	FTC1499	1	Note(5)
	FRC9693	1	Note(5)
	ANR2804	1	Note(5)

Note(1) Up to JA621295.  
 Note(2) From JA621296  
 Note(3) Not serviced separately  
 Note(4) Up to MA652713  
 Note(5) From MA652714

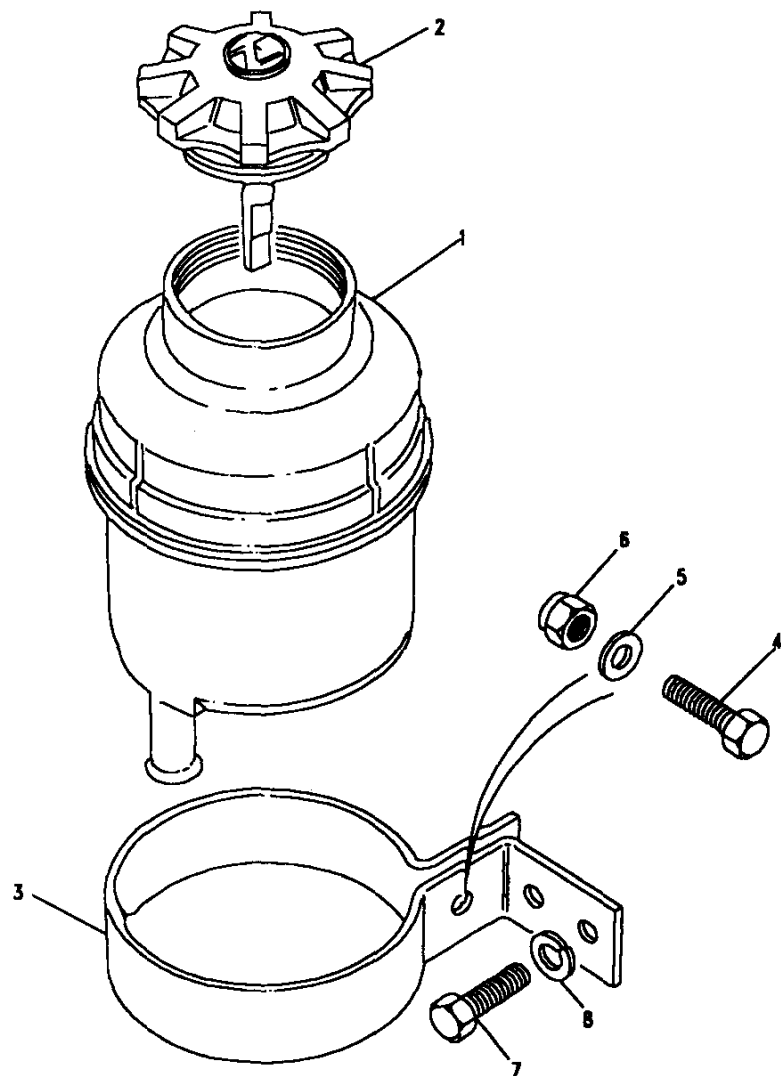


**Model** RANGE ROVER 1992 onwards  
**Page** BDFXPA1A

**STEERING - OIL RESERVOIR - PETROL.**

III. Part No.	Description	Qty	Remarks
1	NTC1791	1	Note(1)
	ANR1998	1	Note(2)
2	NTC2723	1	Cap reservoir
3	NTC2721	1	Upto LA647644
	ANR3700	1	From MA647645
4	FS106201	1	Screw
5	WA106041L	1	Washer plain
6	NY106041L	1	Nut
7	FS106161	2	Screw
8	WL106001L	2	Washer spring

Note(1) Up to KA629041  
 Note(2) From KA629042

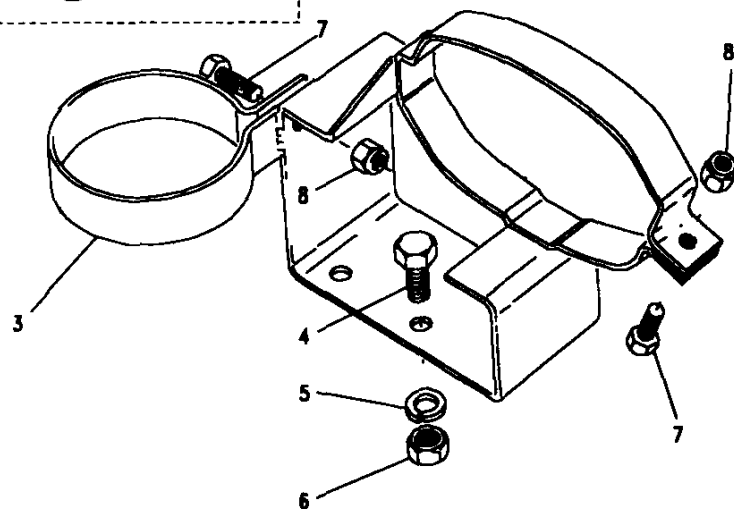
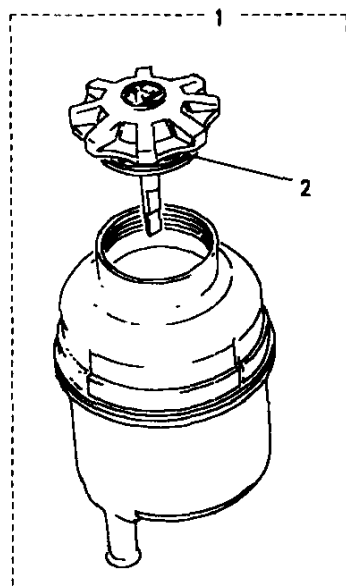


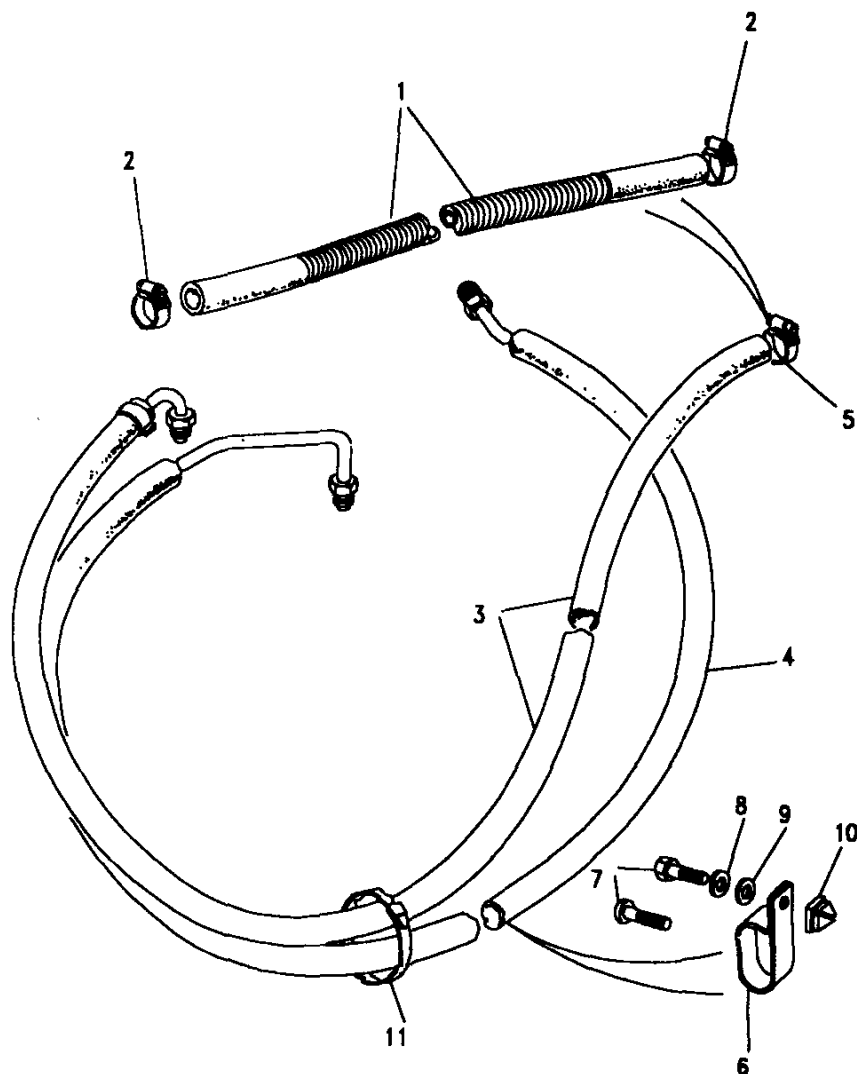
**Model** RANGE ROVER 1992 onwards  
**Page** BDFXPA2A

**STEERING - OIL RESERVOIR - DIESEL.**

III. Part No.	Description	Qty	Remarks
1 NTC1791	Reservoir assembly	1	Note(1)
ANR1998	Reservoir assembly	1	Note(2)
2 NTC2723	Cap reservoir	1	
3 NTC3595	Bracket mounting	1	
4 SH108161L	Screw	3	
5 WL108001L	Washer spring	3	
6 FN108041	Nut	3	
7 SH604071L	Screw	2	
8 NY604041L	Nut	2	

Note(1) Up to KA629041  
 Note(2) From KA629042



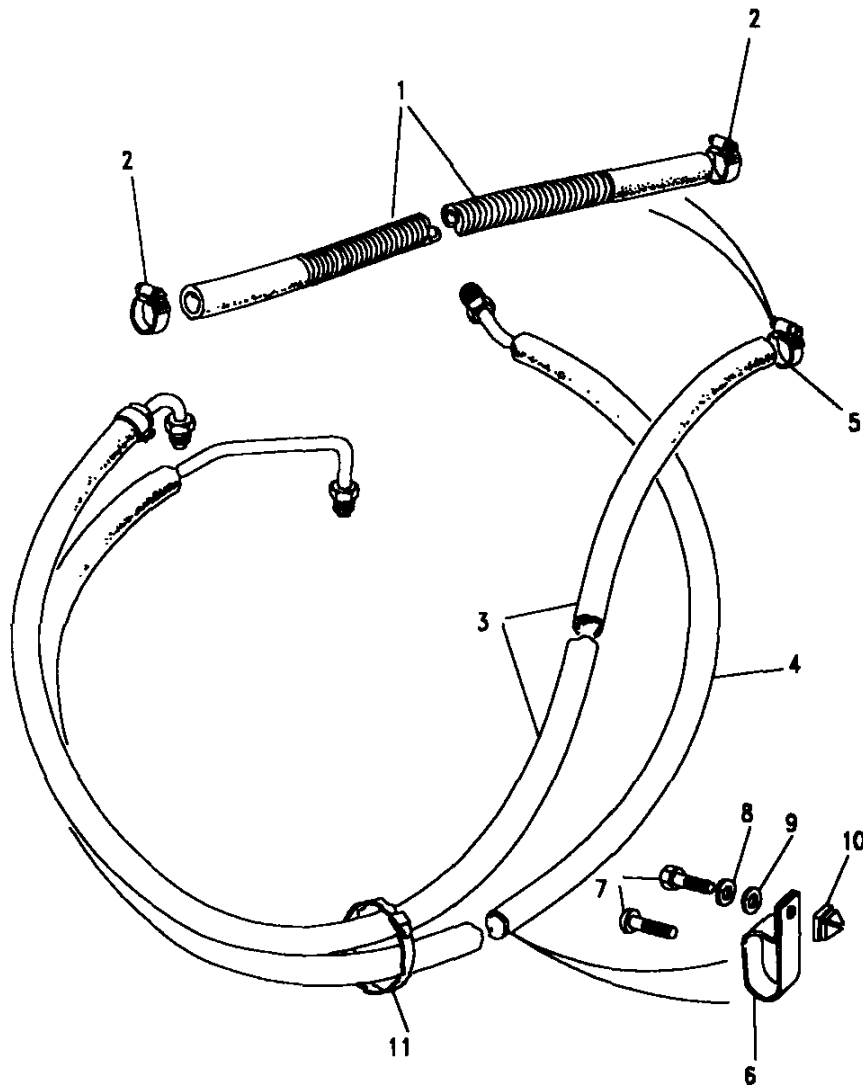


**Model** RANGE ROVER 1992 onwards  
**Page** BDFXRA1A

**STEERING - POWER STEERING HOSES - PETROL.**

III. Part No.	Description	Qty	Remarks
1 NTC4245	Hose reservoir to pump	1	Lo pressure
2 603890	Clip hose	2	
3 NTC9429	Hose box to reservoir	1	LHS Note(1)
ANR2116	Hose box to reservoir	1	LHS Note(2)
NTC9430	Hose Box to Reservoir	1	RHS Note(3)
ANR1887	Hose Box to Reservoir	1	RHS Note(4)
RTC4825	O Ring	1	
<b>Coil suspension</b>			
4 NTC7952	Hose pump / box RHS	1	Upto LA647644
ANR3131	Hose pump / box RHS	1	From MA647650
NTC6790	Hose pump / box LHS	1	
RTC4826	O Ring	1	
<b>Air suspension.</b>			
4 NTC7952	Hose pump / box RHS	1	Upto LA647644
ANR3131	Hose pump / box RHS	1	From MA647650
NTC8588	Hose pump / box(pump end)	1	LHS Hi pressure
NTC8590	Hose pump / box(box end)	1	LHS Hi pressure
RTC4826	O Ring	1	

Note(1) Up to LA081991  
 Note(2) From MA081992  
 Note(3) Up to KA624841  
 Note(4) From KA624842



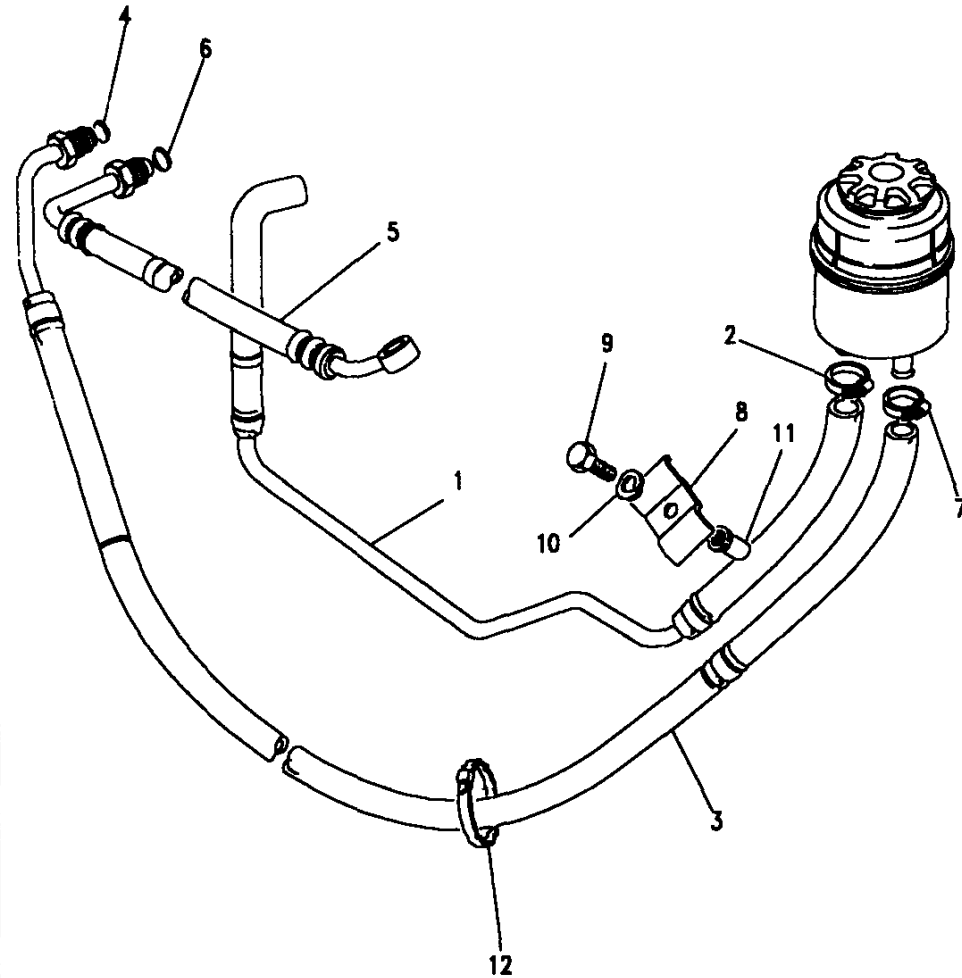
**Model** RANGE ROVER 1992 onwards  
**Page** BDFXRA1A

**STEERING - POWER STEERING HOSES - PETROL.**

Ill. Part No.	Description	Qty	Remarks
<b>All variants</b>			
5	NRC1362	1	Clip hose
6	NTC2722	3	Clip
7	257020	2	Screw
	79120	1	Screw
8	WM702001L	3	Washer spring
9	WC702101L	3	Washer plain
10	79239	3	Nutsert
11	240431	2	Cleat

**Model** RANGE ROVER 1992 onwards  
**Page** BDFXRA2A

**STEERING - POWER STEERING HOSES - DIESEL.**

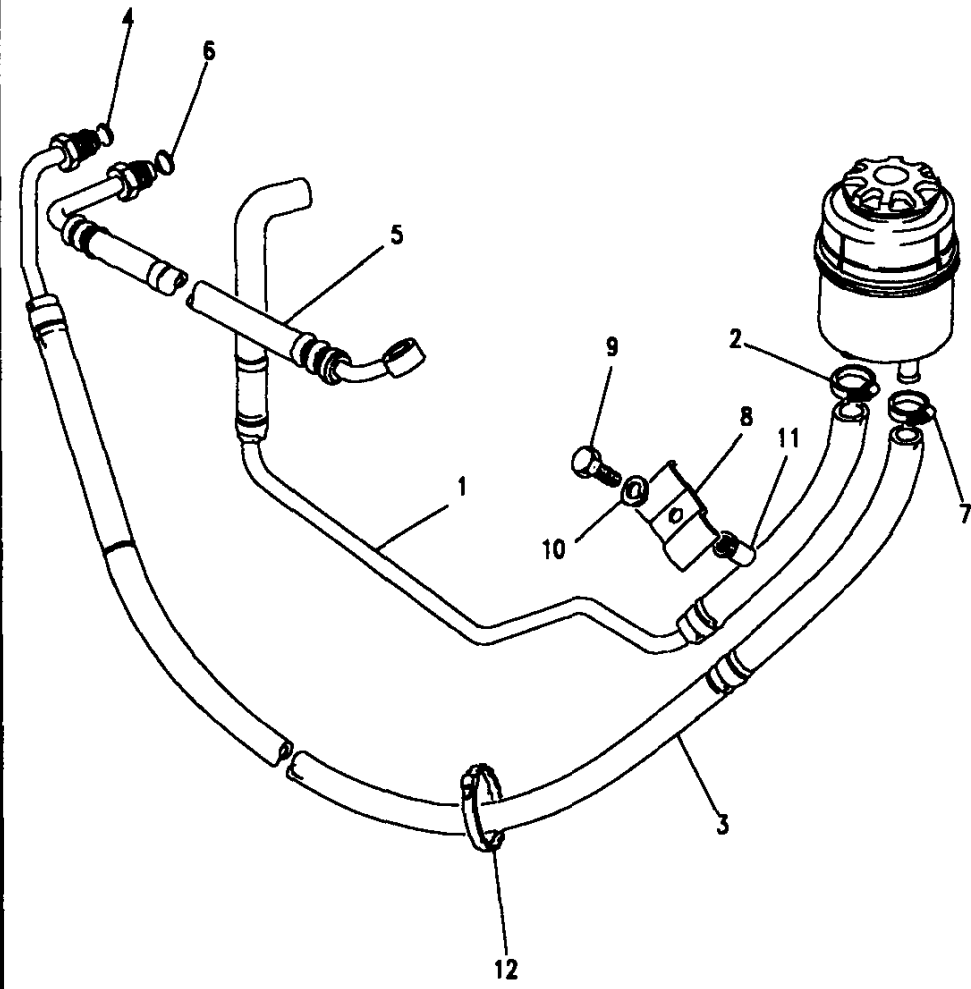


III. Part No.	Description	Qty	Remarks
<b>VM diesel only</b>			
1 NTC7476	Hose reservoir to pump	1	RHS Lo pressure
2 NTC7477	Hose reservoir to pump	1	LHS Lo pressure
2 603890	Clip hose	1	
<b>200TDI only</b>			
1 NTC4245	Hose reservoir to pump	1	
2 603890	Clip hose	1	
<b>VM diesel only</b>			
3 NTC8865	Hose box to reservoir	1	RHS Lo pressure
3 NTC8866	Hose box to reservoir	1	LHS Lo pressure
4 RTC4825	O Ring	1	
<b>200TDI only</b>			
3 ANR1887	Hose box to reservoir	1	RHS Lo pressure
3 NTC9429	Hose box/reservoir LHS	1	Note(1)
3 ANR2116	Hose box/reservoir LHS	1	Note(2)
4 RTC4825	O Ring	1	
<b>VM diesel only</b>			
5 NTC6733	Hose pump to box	1	RHS Hi pressure
5 NTC6732	Hose pump to box	1	LHS Hi pressure
6 RTC4826	O Ring	1	

Note(1) Up to LA647644  
 Note(2) From MA647645

**Model** RANGE ROVER 1992 onwards  
**Page** BDFXRA2A

**STEERING - POWER STEERING HOSES - DIESEL.**



III. Part No.	Description	Qty	Remarks
<b>200TDI only</b>			
5 NTC6070	Hose pump to box	1	LHS Hi pressure
NTC5494	Hose pump to box	1	RHS Hi pressure
6 RTC4826	O Ring	1	
<b>All variants</b>			
7 NRC5990	Clip hose	1	
8 NRC6302	Clip	3	
9 FS106167L	Screw	3	
10 WL106001L	Washer spring	3	
11 NN106011	Nutsert	3	
12 240431	Cleat	2	

**MASTER INDEX**

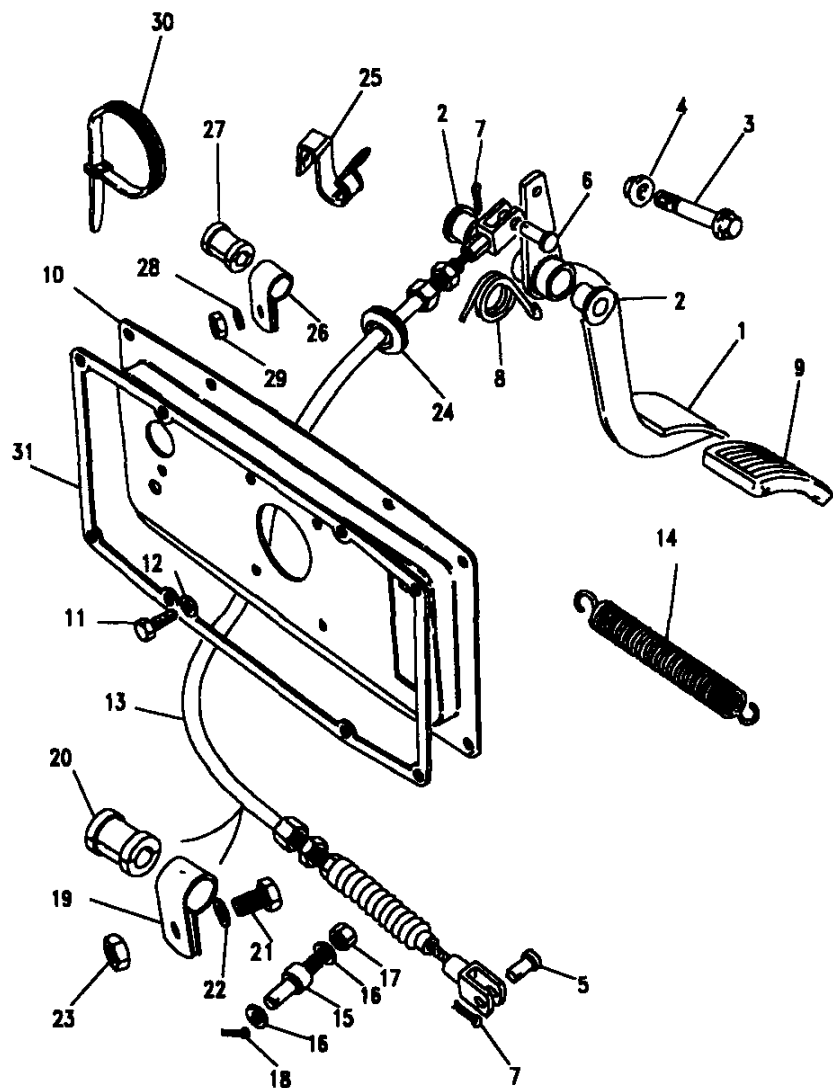
	PAGES
INTRODUCTION PAGES	1 - 3
ALPHABETICAL INDEX	4 - 9
ENGINE	10 - 50
ENGINE	51 - 88
ENGINE	89 - 133
ENGINE	134 - 172
GEARBOX	173 - 194
GEARBOX	195 - 211
GEARBOX	212 - 238
TRANSFER BOX	239 - 252
AXLES AND SUSPENSION	253 - 313
STEERING	314 - 332
VEHICLE AND ENGINE CONTROLS	333 - 343
BRAKES	344 - 374
FUEL SYSTEM AND AIR CLEANER	375 - 401
EXHAUST SYSTEM	402 - 409
COOLING/HEATING	410 - 456
BODY ELECTRICAL	457 - 574
BODY AND CHASSIS	575 - 681
INTERIOR TRIM	682 - 772
SEATS	773 - 843
SEATS	844 - 862
STOWAGE	863 - 865
ACCESSORIES - PAINTS	866 - 893
NUMERICAL INDEX	895 - 958

GROUP G

VEHICLE AND ENGINE CONTROLS

VEHICLE AND ENGINE CONTROLS	
ACCELERATOR & LINKAGE.	334 - 336
BRAKE PEDAL & BRACKET - UP TO LA647644	337
BRAKE PEDAL & BRACKET - UPTO LA647644	338
CLUTCH PEDAL & MOUNTING PLATE - UP TO LA647644	339
PEDALBOX ASSEMBLY - FROM MA647645	340 - 341
CLUTCH MASTER CYLINDER - PETROL.	342
CLUTCH MASTER CYLINDER - DIESEL.	343



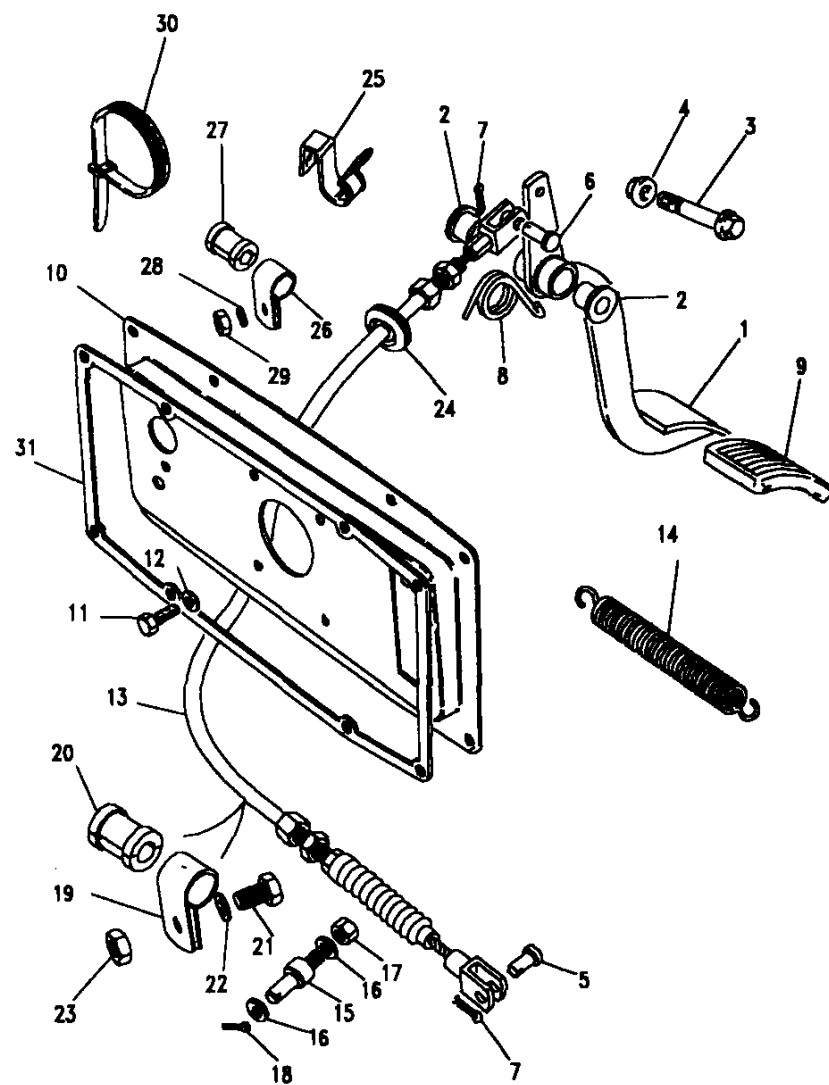


**Model** RANGE ROVER 1992 onwards  
**Page** BDGXAA1A

**ENGINE CONTROLS - ACCELERATOR & LINKAGE.**

III. Part No.	Description	Qty	Remarks
1	STC900	1	RHS Note(1)
	STC899	1	LHS Note(1)
2	CAC7815	2	
3	BH110121L	1	
4	STC295	1	
5	562481	1	
6	NTC6916	1	
7	PS603041L	1	
8	STC297	1	
9	11H1781L	1	
10	Mounting plate - manual	1	NLA
	Mounting plate - auto	1	NLA
11	GG108251L	8	
12	WA108051L	8	
<b>Petrol</b>			
13	NTC7484	1	LHS
	NTC7366	1	RHS
<b>VM Diesel only</b>			
	NTC7830	1	RHS
	NTC7189	1	LHS

Note(1) Up to LA647644. Accelerator pedal no longer supplied separately after this VIN. Supplied with brake and clutch pedal after this VIN.  
 Note(2) NLA - no longer available. Line pinch complete assembly

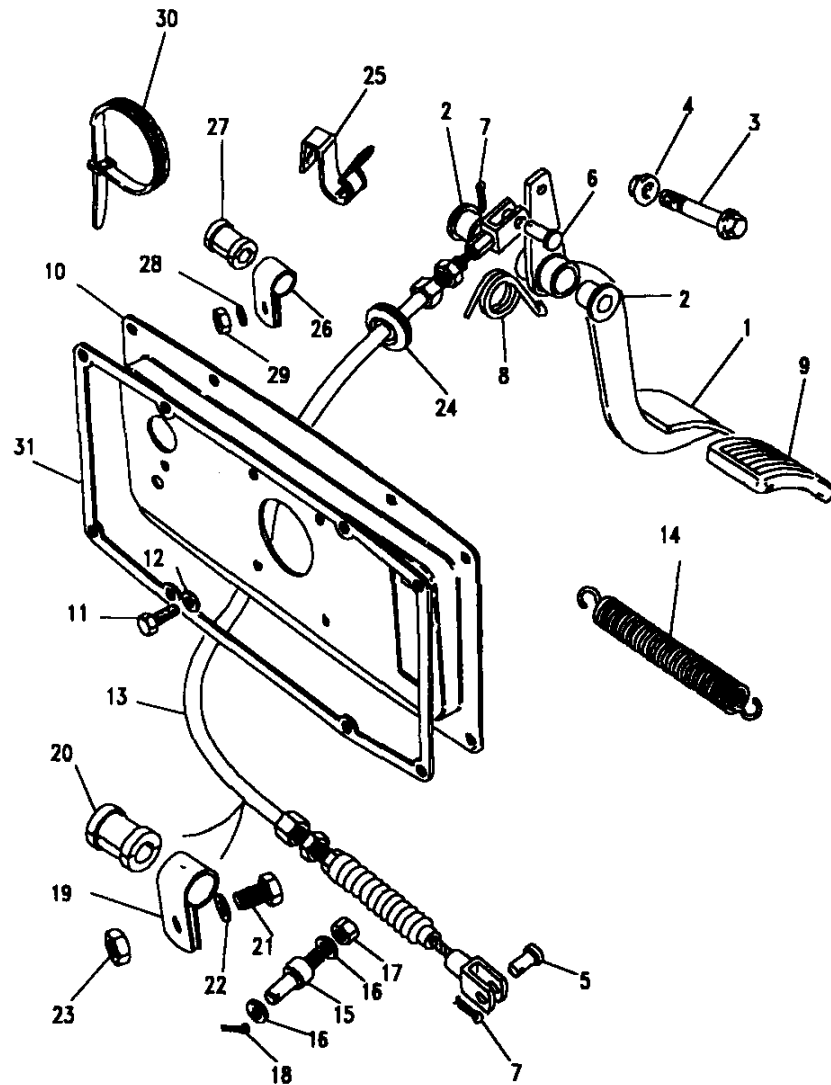


**Model** RANGE ROVER 1992 onwards  
**Page** BDGXAA1A

**ENGINE CONTROLS - ACCELERATOR & LINKAGE.**

III. Part No.	Description	Qty	Remarks
<b>200 TDI - RHS</b>			
13 ANR1860	Cable accelerator	1	Note(1)
ANR2137	Cable accelerator	1	Note(2)
ANR3592	Cable accelerator	1	Note(4)
ESR1373	Double clip	1	Use with ANR3592
<b>200 TDI - LHS</b>			
ANR1633	Cable accelerator	1	Note(3)
ANR3606	Cable accelerator	1	Note(4)

Note(1) Up to KA628559  
 Note(2) From KA628560 Up to LA647644  
 Note(3) Up to LA647644  
 Note(4) From MA647645



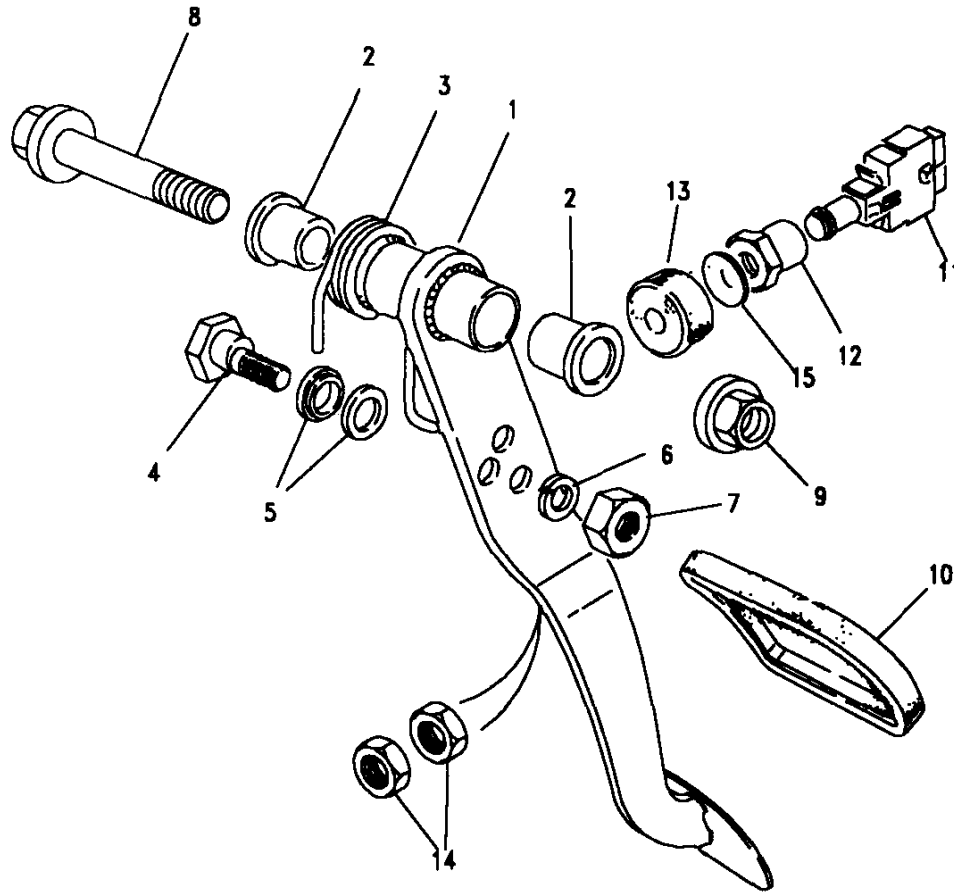
**Model** RANGE ROVER 1992 onwards  
**Page** BDGXAA1A

**ENGINE CONTROLS - ACCELERATOR & LINKAGE.**

Ill. Part No.	Description	Qty	Remarks
<b>All variants</b>			
14 603622	Spring	1	
15 NTC2839	Pin	1	
16 WA105001L	Washer plain	2	) Diesel
17 NH105041L	Nut	2	) Only
18 PS603041L	Pin split	1	)
19 CP105161L	Clip	1	
20 6860L	Grommet	1	
21 SH105201L	Screw	1	
22 WA105001L	Washer plain	1	
23 NH105041L	Nut	1	
24 562106	Grommet	1	
25 NRC219	Clip	1	
26 240407	Clip	1	
27 6860L	Grommet	1	
28 WL108001L	Washer spring	1	
29 NH108041L	Nut	1	
30 568680	Cable tie	1	
31 NTC8113	Gasket	1	

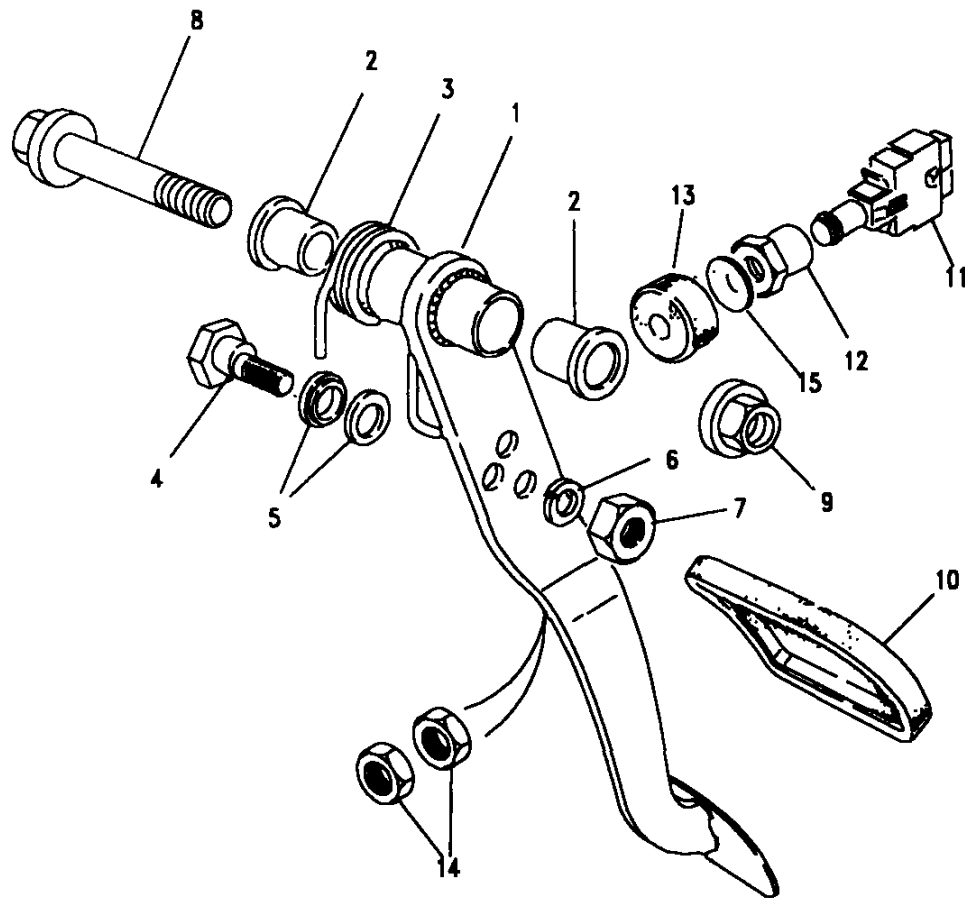
**Model** RANGE ROVER 1992 onwards  
**Page** BDGXCA1A

**ENGINE CONTROLS - BRAKE PEDAL & BRACKET - UP TO LA647644**



Ill. Part No.	Description	Qty	Remarks
<b>Manual gearbox.</b>			
1	STC802	1	RHS
	NTC4173	1	LHS
<b>Automatic gearbox.</b>			
	NTC4172	1	RHS
	STC798	1	LHS
<b>All variants</b>			
2	CAC7815	2	Bush
3	STC709	1	Spring
	ANR2559	1	Spring
4	90575807	1	Bolt
5	575806	2	Bearing nylon
6	WM600061L	1	Washer spring
7	NH606041L	1	Nut
8	BH110121L	1	Bolt

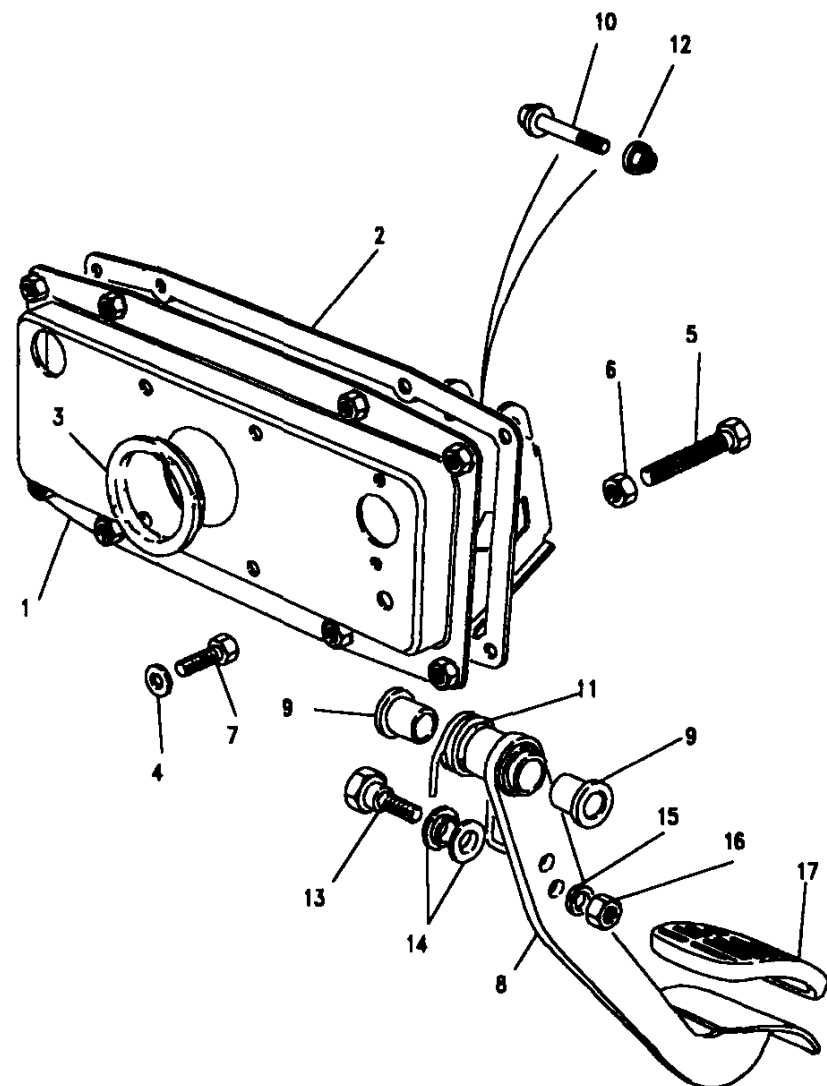
Note(1) Upto KA632894  
 Note(2) From KA632895



**Model** RANGE ROVER 1992 onwards  
**Page** BDGXCA1A

**ENGINE CONTROLS - BRAKE PEDAL & BRACKET - UPTO LA647644**

Ill. Part No.	Description	Qty	Remarks
9	STC295	1	
10	575818	1	Manual
	CRC570	1	Automatic.Note(3)
	ANR2941	1	Automatic.Note(4)
<b>Non A.B.S.</b>			
11	13H3735L	1	Switch stop lamp
<b>With A.B.S.</b>			
	PRC9915	1	Switch stop lamp
	AMR2010	1	Switch stop lamp
<b>All variants</b>			
12	NTC4564	1	Nut
13	567876	1	Buffer rubber
14	NTC4207	1	Nut
15	NTC7280	1	Adaptor
Note(1)	Upto JA620456		
Note(2)	From JA620457		
Note(3)	Upto KA638528		
Note(4)	From KA638529		



**Model** RANGE ROVER 1992 onwards  
**Page** BDGXCA2A

**ENGINE CONTROLS - CLUTCH PEDAL & MOUNTING PLATE - UP TO LA647644**

Ill. Part No.	Description	Qty	Remarks
1	STC298	1	NSS
	STC299	1	NSS
2	NTC8113	1	
3	592199	1	
4	WA108051L	8	
5	SH606051L	1	
6	NT606041L	1	
7	GG108251L	8	
8	575816	1	RHS
	575815	1	LHS
9	CRC2797	2	
10	BH110121L	1	
11	NTC4563	1	
12	STC295	1	
13	90575807	1	
14	575806	2	
15	WM600061L	1	
16	NH606041L	1	
17	575818	1	

Note(1) NSS - Not serviced separately

**Model** RANGE ROVER 1992 onwards  
**Page** BDGXCA1B

**ENGINE CONTROLS - PEDALBOX ASSEMBLY - FROM MA647645**

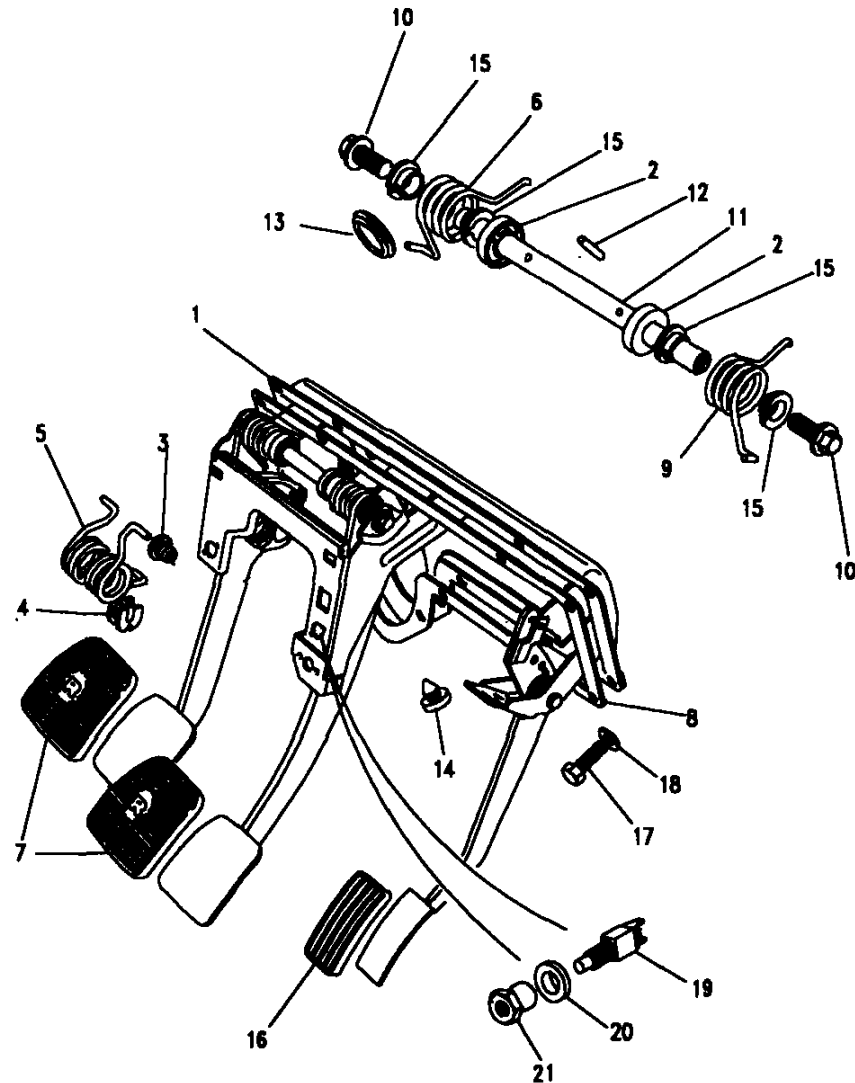
**Ill. Part No.**                      **Description**                      **Qty** **Remarks**

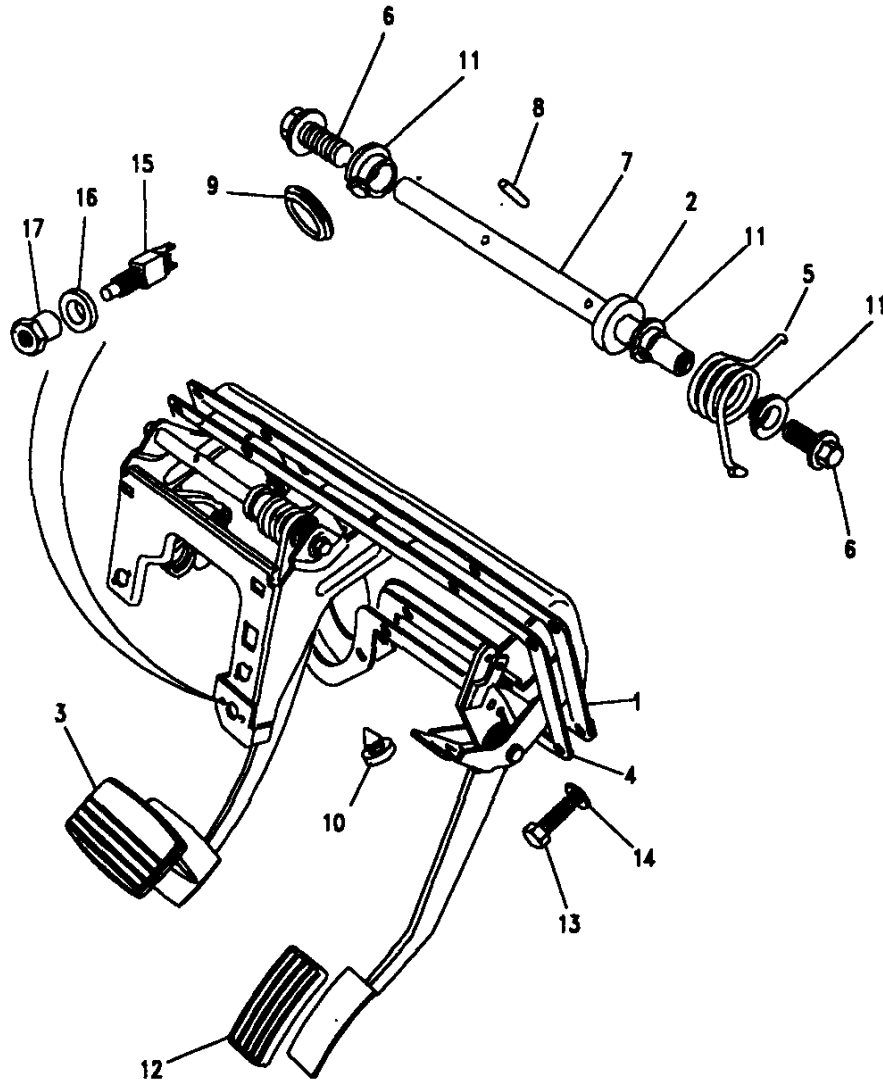
**Manual**

1	ANR3502	Pedalbox assy RHD	1
	ANR3503	Pedalbox assy LHD	1
2	STC1710	Location bush	2
3	STC1731	Pivot bush	2
4	STC1732	Bush seat	1
5	STC1704	Clutch assist spring	1
6	STC1705	Clutch return spring	1
7	575818	Pad rubber	1

**All variants**

8	ANR1212	Gasket pedal box	1
9	STC1706	Brake return spring	1
10	STC1707	Retaining bolt	2
11	STC1708	Pivot pin	1
12	STC1709	Roll pin	A/R
13	STC1711	Grommet	1
14	STC1712	Stopper pads	1
15	STC1730	Split bush	2
16	11H1781L	Accelerator pad rubber	1
17	GG108301	screw	10
18	WA108051L	Washer plain	10
19	13H3735L	Switch brake light	1
20	NTC7280	Adaptor-brake switch	1
21	NTC4564	Nut	1



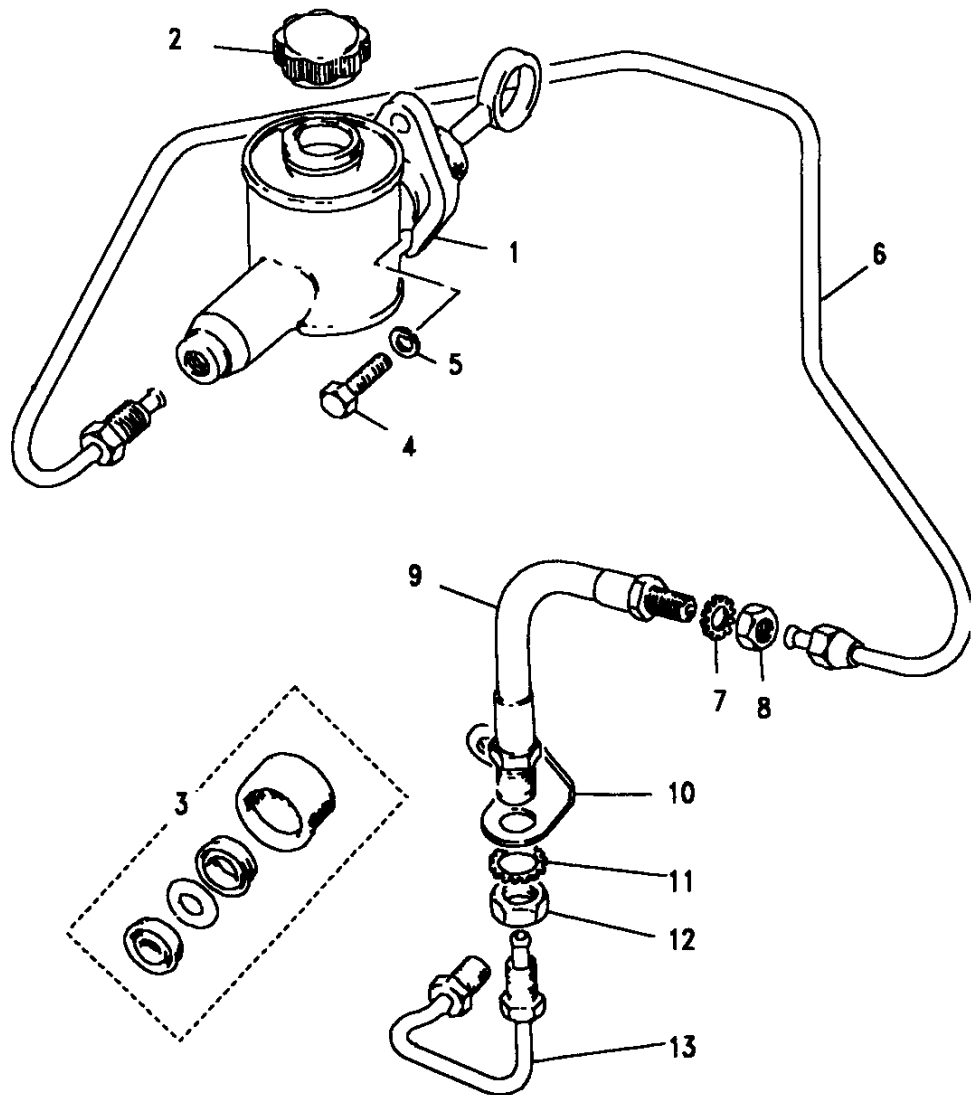


**Model** RANGE ROVER 1992 onwards  
**Page** BDGXCA2B

**ENGINE CONTROLS - PEDALBOX ASSEMBLY - FROM MA647645**

Ill. Part No.	Description	Qty	Remarks
<b>Automatic</b>			
1	ANR3500 Pedalbox assy RHD	1	
	ANR3501 Pedalbox assy LHD	1	
2	STC1710 Location bush	1	
3	ANR2941 Brake pad rubber	1	
<b>All variants</b>			
4	ANR1212 Gasket pedal box	1	
5	STC1706 Brake return spring	1	
6	STC1707 Retaining bolt	2	
7	STC1708 Pivot pin	1	
8	STC1709 Roll pin	A/R	
9	STC1711 Grommet	1	
10	STC1712 Stopper pads	1	
11	STC1730 Split bush	2	
12	11H1781L Accelerator pad rubber	1	
13	GG108301 screw	10	
14	WA108051L Washer plain	10	
15	13H3735L Switch brake light	1	
16	NTC7280 Adaptor-brake switch	1	
17	NTC4564 Nut	1	



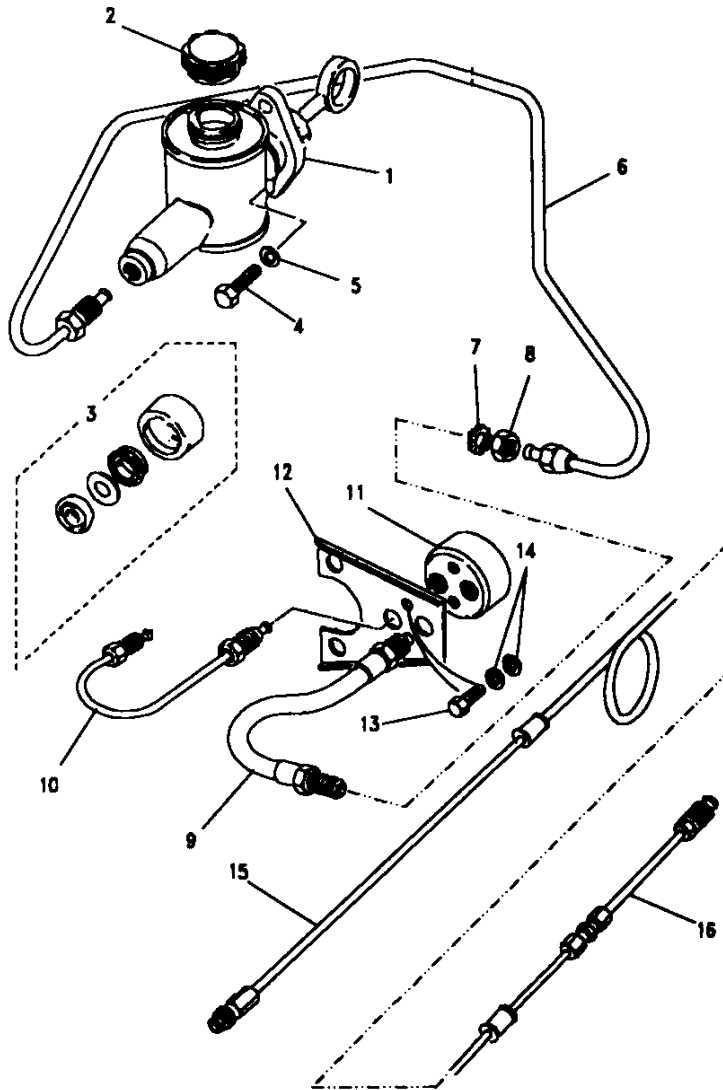


**Model** RANGE ROVER 1992 onwards  
**Page** BDGXE1A

**ENGINE CONTROLS - CLUTCH MASTER CYLINDER - PETROL.**

III. Part No.	Description	Qty	Remarks
1 AEU1714	Cylinder clutch master	1	Upto LA647644
ANR2186	Cylinder clutch master	1	From MA647645
2 513123	Cap	1	
3 STC1126	Kit master cylinder	1	
4 SH605061L	Bolt	2	
5 WM600051L	Washer spring	2	
6 NRC9019	Pipe RHS	1	
NTC1856	Pipe LHS	1	Upto LA647644
ANR3386	Pipe LHS	1	From MA647645
7 WE600071L	Washer shakeproof	1	
8 NH607041L	Nut	1	
9 NRC2211	Hose clutch	1	
10 90577642	Bracket mounting	1	
11 WE600101L	Washer shakeproof	1	
12 2K8686L	Nut	1	
13 NRC8975	Pipe	1	Note(1)
ANR2183	Pipe	1	Note(2)

Note(1) Upto KA633398  
 Note(2) From KA633399



**Model** RANGE ROVER 1992 onwards  
**Page** BDGXEC2A

**ENGINE CONTROLS - CLUTCH MASTER CYLINDER - DIESEL**

Ill. Part No.	Description	Qty	Remarks
1	AEU1714 Cylinder clutch master	1	
2	513123 Cap	1	
3	STC1128 Kit master cylinder	1	
4	SH605061L Bolt	2	
5	WM600051L Washer spring	2	
<b>VM Diesel only</b>			
6	NRC9019 Pipe	1	RHS
	NTC1856 Pipe	1	LHS
<b>200TDI only</b>			
	NTC7573 Pipe	1	RHS
	ANR1410 Pipe	1	LHS
<b>All variants</b>			
7	WE800071L Washer shakeproof	1	
8	NH607041L Nut	1	
9	NTC3400 Hose clutch	1	
10	NTC3401 Pipe	1	Note(1)
	ANR2004 Pipe	1	Note(2)
11	NTC9959 Damper	1	
12	NTC3399 Bracket mounting	1	
13	SH106141L Screw	2	
14	WA106041L Washer plain	4	
<b>200TDI only</b>			
15	ANR2039 Clutch pipe	1	
16	ANR2040 Clutch pipe	1	

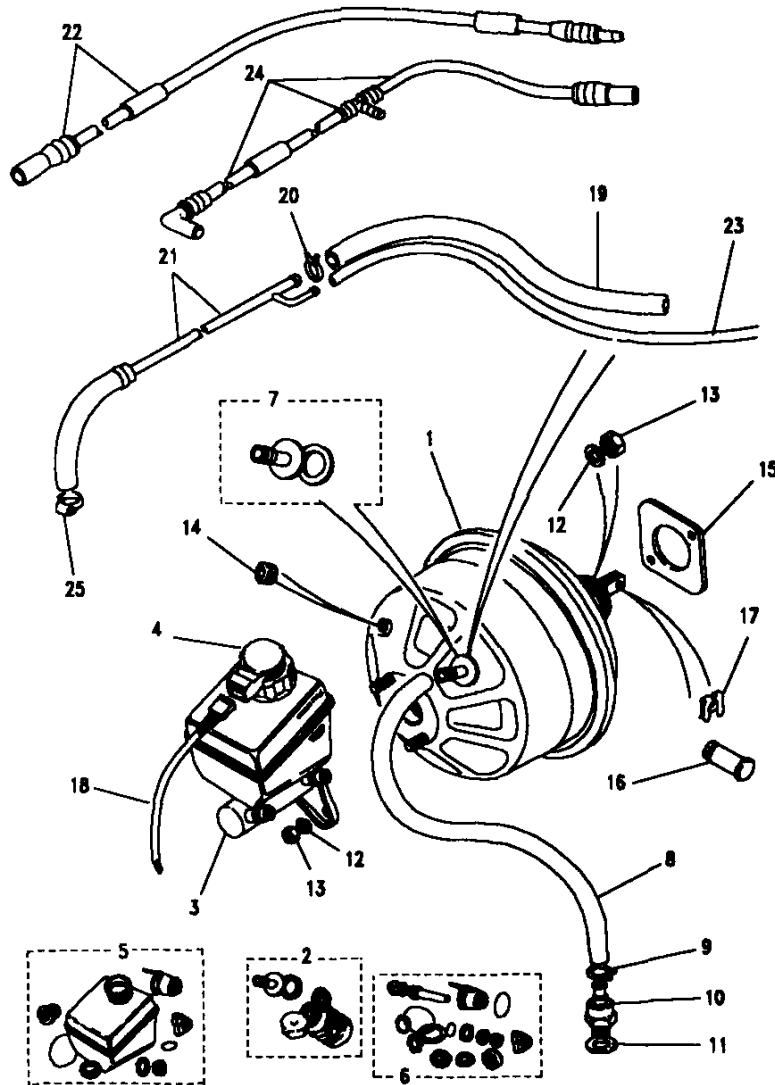
Note(1) Upto KA633398  
 Note(2) From KA633399

**MASTER INDEX**

	PAGES
INTRODUCTION PAGES	1 - 3
ALPHABETICAL INDEX	4 - 9
ENGINE	10 - 50
ENGINE	51 - 88
ENGINE	89 - 133
ENGINE	134 - 172
GEARBOX	173 - 194
GEARBOX	195 - 211
GEARBOX	212 - 238
TRANSFER BOX	239 - 252
AXLES AND SUSPENSION	253 - 313
STEERING	314 - 332
VEHICLE AND ENGINE CONTROLS	333 - 343
BRAKES	344 - 374
FUEL SYSTEM AND AIR CLEANER	375 - 401
EXHAUST SYSTEM	402 - 409
COOLING/HEATING	410 - 456
BODY ELECTRICAL	457 - 574
BODY AND CHASSIS	575 - 681
INTERIOR TRIM	682 - 772
SEATS	773 - 843
SEATS	844 - 862
STOWAGE	863 - 865
ACCESSORIES - PAINTS	866 - 893
NUMERICAL INDEX	895 - 958

**GROUP H**
**BRAKES**
**BRAKES**

SERVO & MASTER CYLINDER.	345 - 346
BRAKE SYSTEM - ABS.	347 - 357
ELECTRONIC TRACTION CONTROL.	358
BRAKE PIPES - NON ABS.	359 - 361
BRAKE PIPES REAR - NON ABS.	362
BRAKE PIPES REAR - WITH ABS.	363 - 364
FRONT BRAKES.	365
REAR BRAKES - NON ABS.	366 - 368
REAR BRAKES - WITH ABS.	369 - 370
SPLASH SHIELDS.	371
HANDBRAKE.	372 - 374

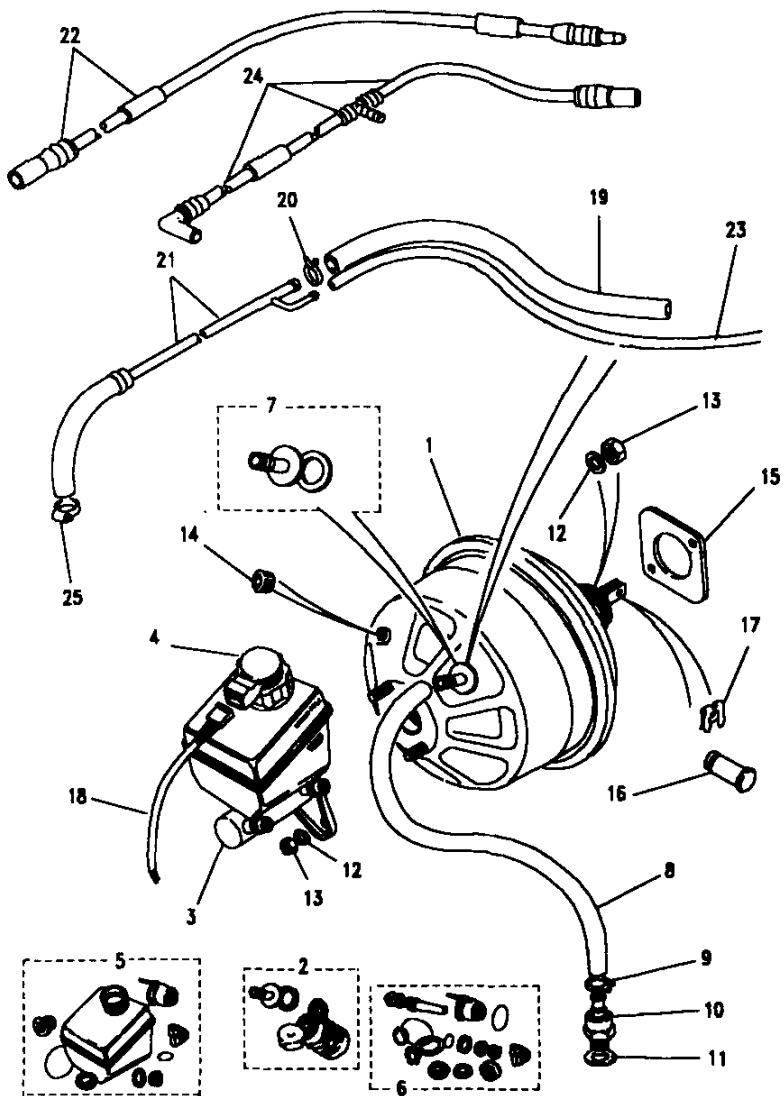


**Model** RANGE ROVER 1992 onwards  
**Page** BDHXAA1A

**BRAKES - SERVO & MASTER CYLINDER.**

III. Part No.	Description	Qty	Remarks
1	NTC4294 STC1286	1	Upto LA647644
		1	From MA647645
2	RTC5832	1	Kit servo repair
3	NTC4991 STC1763	1	Upto LA647644
		1	From MA647645
4	RTC5831 NTC9858	1	Note(1)
		1	Note(2)
5	RTC5833	1	Kit reservoir repair
6	RTC5834	1	Kit master cylinder
7	STC780	1	Valve non return
8	NTC4988 NTC4242 NTC7862	1	PI RHS
		1	PI LHSNote(3)
		1	PI LHSNote(4)
9	572548	2	Clip hose
10	RTC5907	1	Valve non return
11	232043 ANR3608	1	Upto LA647644
		1	From MA647645
12	WL108001L	4	Washer spring
13	NH108041L	4	Nut

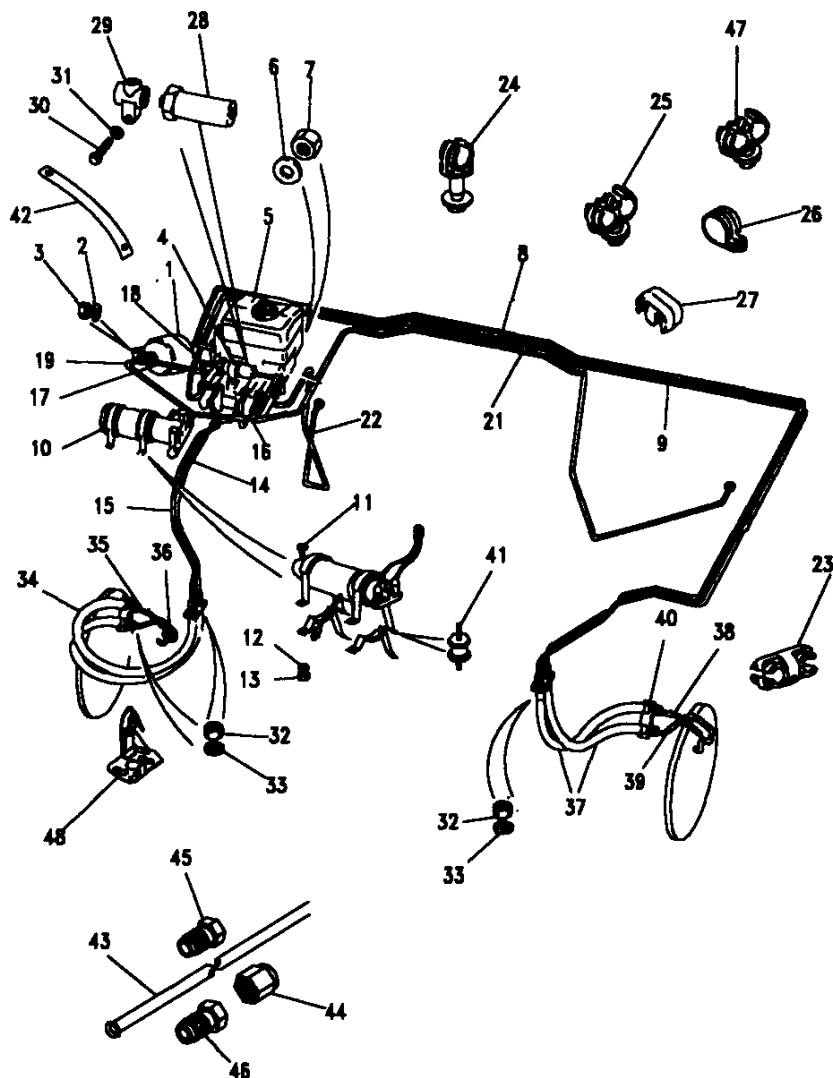
Note(1) Up to JA624755  
 Note(2) From JA624756  
 Note(3) Up to LA647644  
 Note(4) From MA647645



**Model** RANGE ROVER 1992 onwards  
**Page** BDHXAA1A

**BRAKES - SERVO & MASTER CYLINDER.**

Ill. Part No.	Description	Qty	Remarks
14	90577611 MXC8709 Plug	1	Upto LA647644
15	NTC4099 Spacer	1	From MA647645
16	NTC4487 Pin clevis	1	
17	NTC4488 Clip clevis pin	1	
18	PRC6388 Link lead	1	
<b>Diesel only.</b>			
19	CRC2131 Hose	1	
20	572548 Clip	3	
21	NTC8127 Hose & T piece	1	ABS
22	ANR1539 Hose & T piece	1	N/ABS
23	MWC4340 Hose	1	ABS
24	NTC7404 Hose & T piece RHD	1	) N/ABS
	NTC7403 Hose & T piece LHD	1	) Upto LA647644
	ANR3614 Hose vacuum RHD	1	)N/ABS
	ANR3613 Hose vacuum LHD	1	)From MA647645
25	CN100208L Clip	1	
	ERR4849 Pipe servo hose-modulator	1	EGR
	NTC7260 Double clip	1	



**Model** RANGE ROVER 1992 onwards  
**Page** BDHXAC1A

**BRAKES - BRAKE SYSTEM - ABS.**

III. Part No.	Description	Qty	Remarks
<b>RHS.</b>			
1	RTC6498	1	Accumulator
2	WA106041L	2	Washer plain
3	NH106041L	2	Nut
4	STC886	1	Booster
5	RTC6741	1	Reservoir
	RTC6494	1	Cap reservoir
	NTC9858	1	Cap reservoir
	RTC6491	1	Plate cover
	RTC6490	2	Seal
	RTC6493	1	Filter
	RTC6495	A/R	Nipple bleed
	RTC6496	1	Boot rubber
	RTC6492	A/R	Screw

Note(1) Up to JA624755  
 Note(2) From KA624756

**Model** RANGE ROVER 1992 onwards  
**Page** BDHXAC1A

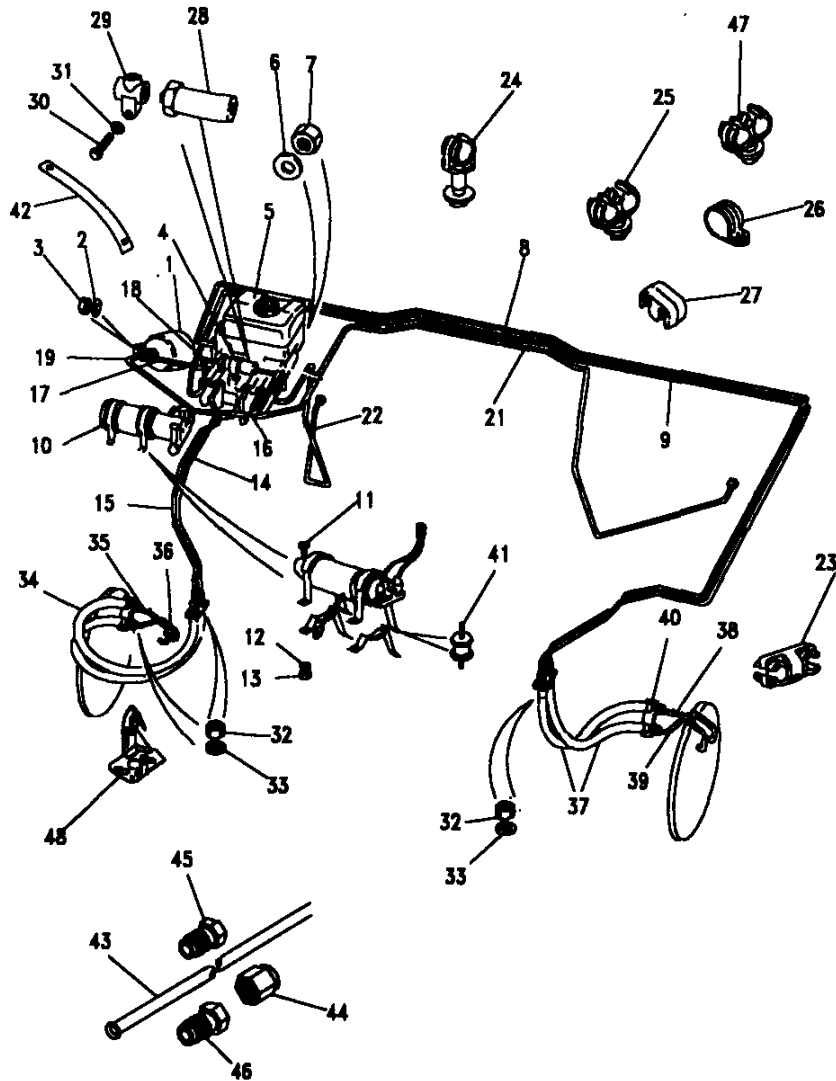
**BRAKES - BRAKE SYSTEM - ABS.**

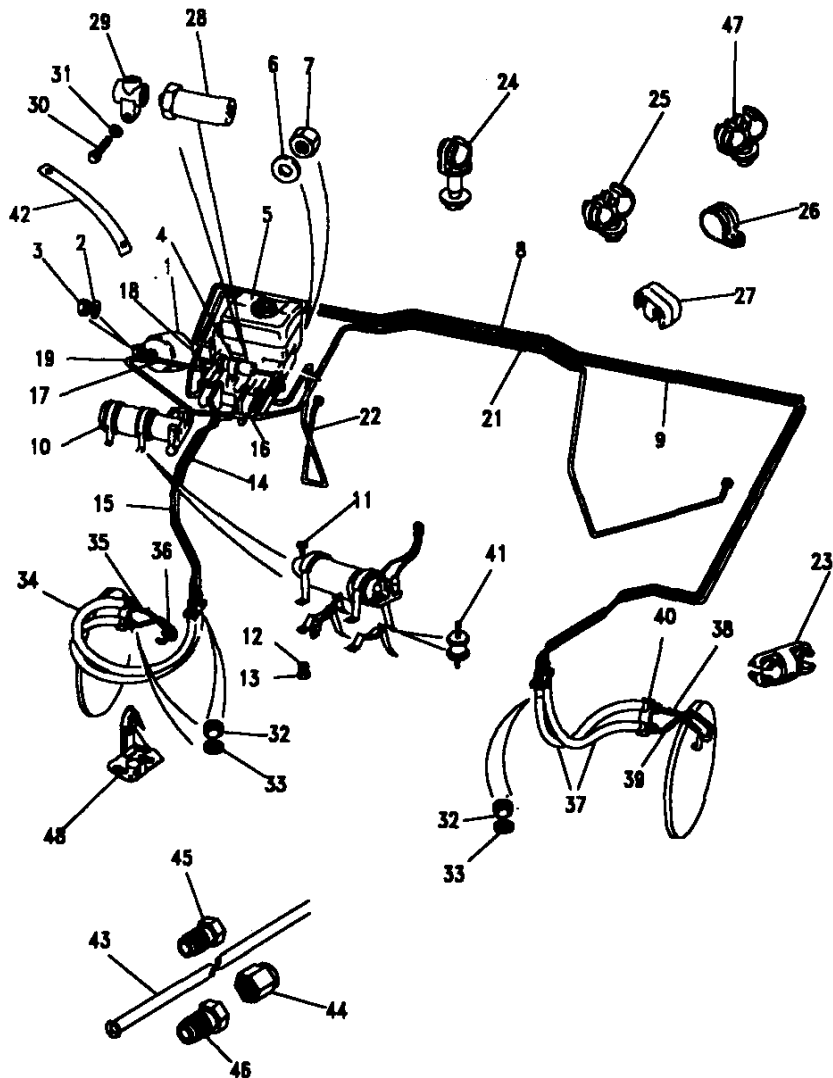
**III. Part No. Description Qty Remarks**

**RHS.**

6	WA108051L	Washer	4	
7	NH108041L	Nut	4	
8	NTC9313	Pipe brake	1	Note(1)
	NTC9752	Pipe brake	1	Note(2)
9	NTC9312	Pipe brake	1	
10	STC885	Pump abs	1	Note(3)
	STC1181	Pump vacuum	1	Note(4)
11	SH106101L	Screw	4	
12	WA106041L	Washer	4	
13	NH106041L	Nut	4	
14	NTC9314	Pipe brake	1	
15	NTC9311	Pipe brake	1	
16	NTC5918	Hose low pressure	1	Up to KA631501
	ANR2092	Hose low pressure	1	From KA631502
	AAU1979	Clip hose	2	

Note(1) Up to JA624755  
 Note(2) From KA624756  
 Note(3) Up to KA632718  
 Note(4) From KA632719  
 Note(5) Brake pipe also serviced in 8 foot length. Refer to items 42,43,44,45.





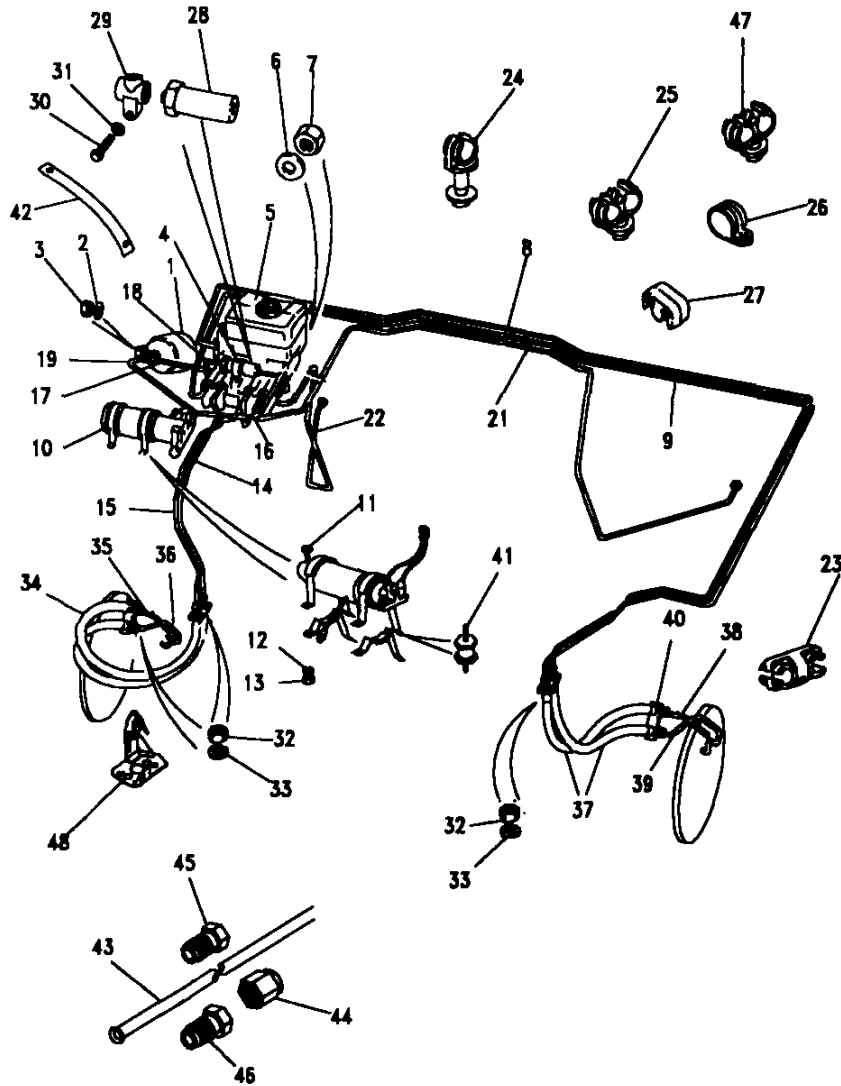
**Model** RANGE ROVER 1992 onwards  
**Page** BDHXAC1A

**BRAKES - BRAKE SYSTEM - ABS.**

III. Part No.	Description	Qty	Remarks
<b>RHS.</b>			
17	NTC5944 Pipe brake	1	Note(1)
	ANR1678 Pipe brake	1	Note(2)
	ANR2681 Pipe brake	1	Note(3)
18	NTC7283 Pipe brake	1	
19	NTC5920 Hose high pressure	1	Upto LA647644
	ANR3488 Hose high pressure	1	From MA647645
	STC1553 Bolt banjo	2	
	STC1554 Washer copper	2	
20	NTC7282 Pipe brake	1	
21	NTC8870 Pipe brake	1	Note(1)
	ANR1677 Pipe brake	1	Note(2)
22	NTC8871 Pipe brake	1	Note(1)
	ANR1679 Pipe brake	1	Note(2)
23	NTC5027L Clip pipe	A/R	
24	79124 Clip pipe	5	
25	79125 Clip pipe	9	

Note(1) Up to JA624755  
 Note(2) From KA624756up to LA647644  
 Note(3) From MA647645  
 Note(4) Brake pipe also serviced in 8 foot length.Refer to items 42,43,44,45.

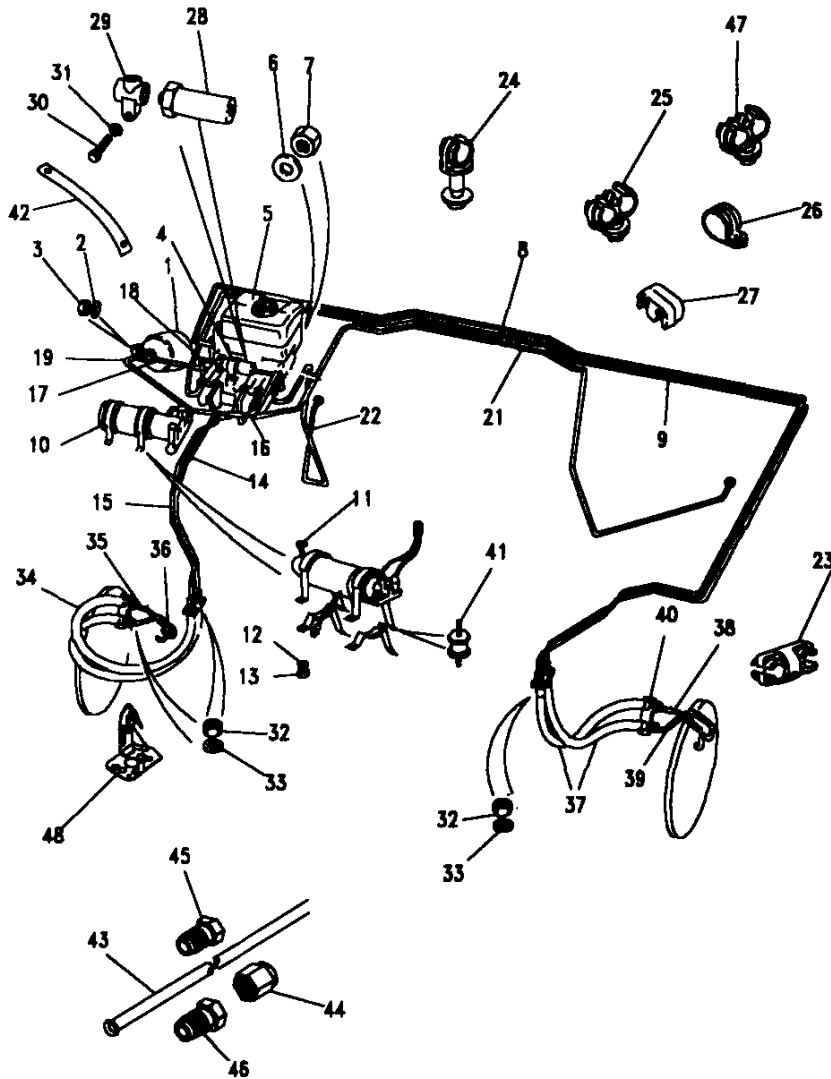




**Model** RANGE ROVER 1992 onwards  
**Page** BDHXAC1A

**BRAKES - BRAKE SYSTEM - ABS.**

III. Part No.	Description	Qty	Remarks
<b>RHS.</b>			
26 AEU1452	Clip pipe	1	
27 AAU7803	Clip pipe	4	
28 NTC6868L	Valve pressure reducing	1	
29 NRC4251	Tee piece	1	
<b>108" L.W.B only</b>			
28 NTC9753	Valve pressure reducing	1	
29 NRC4251	Tee piece	1	
<b>All variants</b>			
30 SH106101L	Screw	1	
31 WA106041L	Washer plain	1	
32 CRC1487	Nut	8	
33 WE110001L	Washer shakeproof	8	
34 NTC7670	Hose flexible RH	2	
35 NTC9545	Pipe brake	1	Secondary
36 NTC9547	Pipe brake	1	Primary
37 NTC7670	Hose flexible LH	2	
38 NTC9548	Pipe brake	1	Secondary
39 NTC9546	Pipe brake	1	Primary
40 FTC1362	Bracket RH	1	
FTC1363	Bracket LH	1	

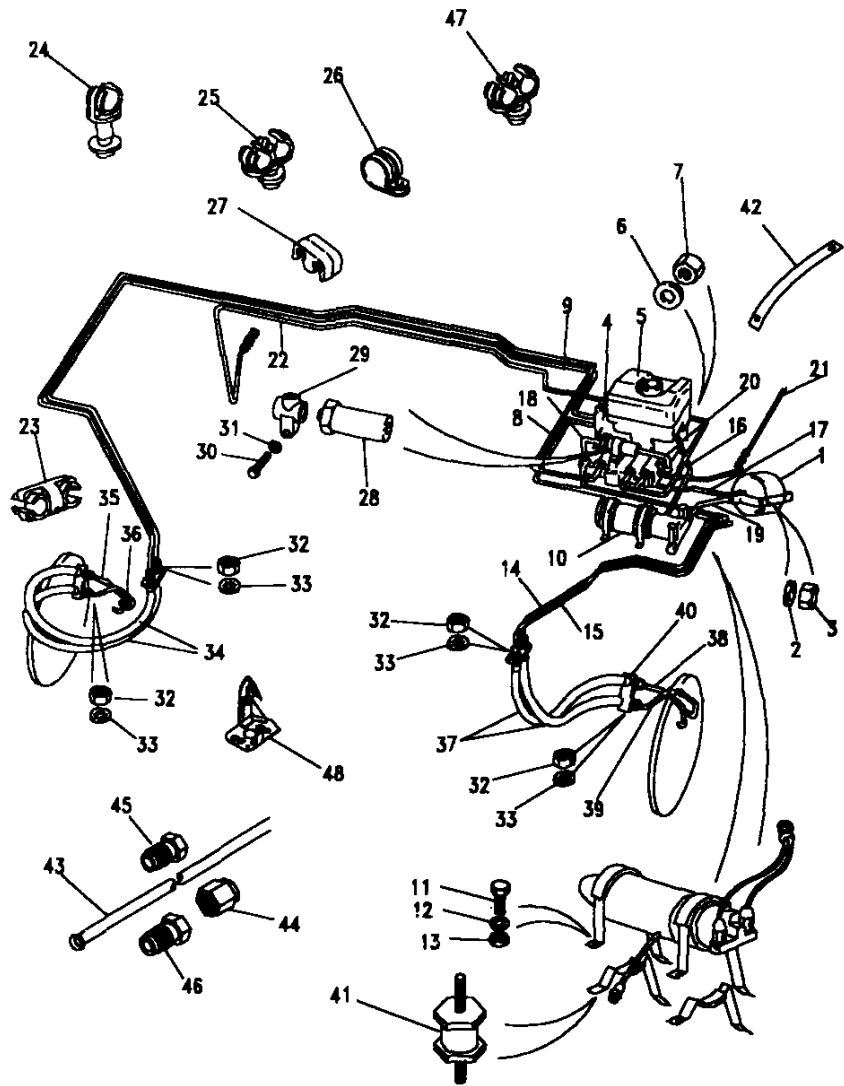


**Model** RANGE ROVER 1992 onwards  
**Page** BDHXAC1A

**BRAKES - BRAKE SYSTEM - ABS.**

III. Part No.	Description	Qty	Remarks
<b>RHS.</b>			
41	NRC9773	4	Note(1)
	ESR1579	4	Note(2)
42	552632	1	
43	STC577	A/R	8 Ft Length
44	FM10	A/R	
45	MM10	A/R	
46	TM112051L	A/R	
47	NTC9530	3	
48	FTC2214	1	
	FTC2215	1	
	STC621	A/R	

Note(1) Up to JA618020.  
 Note(2) From JA618021.  
 Note(3) Brake pipe also serviced in 8 foot length. Refer to items 42,43,44,45.



**Model** RANGE ROVER 1992 onwards  
**Page** BDHXAC2A

**BRAKES - BRAKE SYSTEM - ABS.**

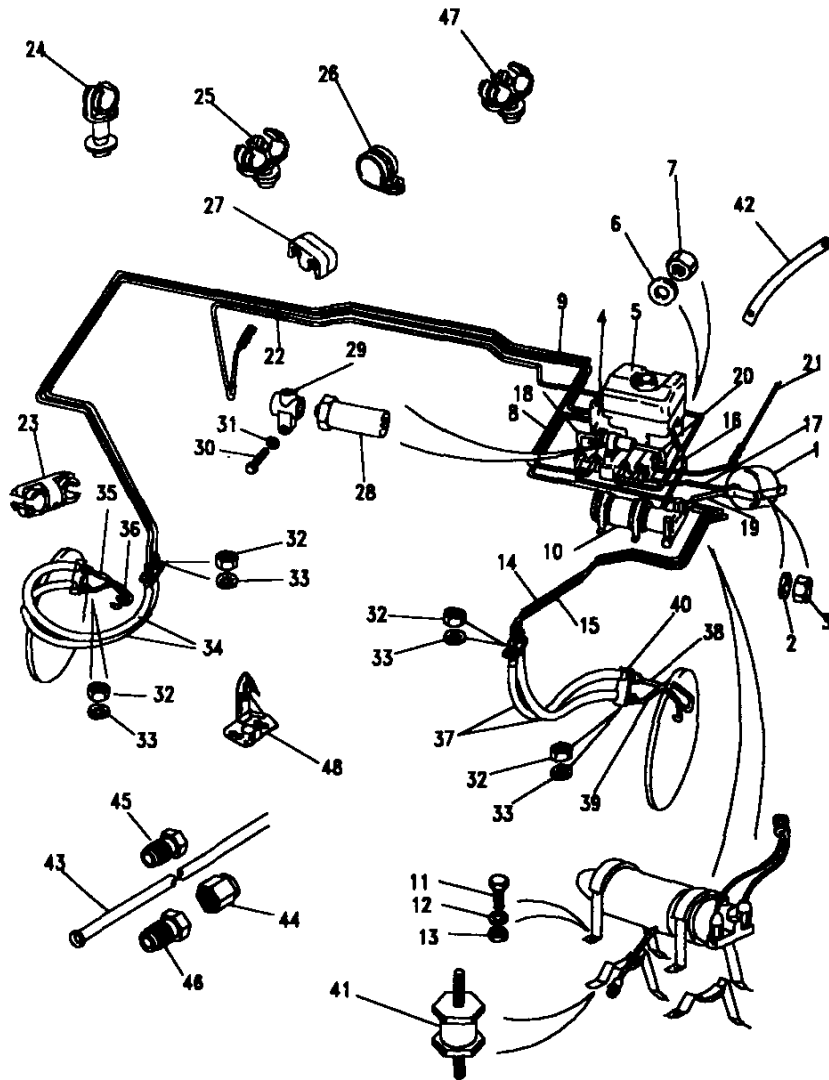
III. Part No.	Description	Qty	Remarks
<b>LHS.</b>			
1	RTC6498	1	Accumulator
2	WA106041L	2	Washer plain
3	NH106041L	2	Nut
4	STC886	1	Booster
5	RTC6741	1	Reservoir
	RTC6494	1	Cap reservoir
	NTC9858	1	Cap reservoir
	RTC6491	1	Plate cover
	RTC6490	2	Seal
	RTC6493	1	Filter
	RTC6495	A/R	Nipple bleed
	RTC6496	1	Boot rubber
	RTC6492	A/R	Screw
6	WA108051L	4	Washer
7	NH108041L	4	Nut

Note(1) Up to JA624755  
 Note(2) From KA624756

Model RANGE ROVER 1992 onwards  
Page BDHXAC2A

## BRAKES - BRAKE SYSTEM - ABS.

III. Part No.	Description	Qty	Remarks
<b>LHS.</b>			
8	NTC9307	1	Note(1)
	ANR1570	1	Note(2)
	ANR2681		Note(8)
9	NTC9310	1	Note(1)
	NTC9751	1	Note(3)
10	STC885	1	Note(4)
	STC1181	1	Note(5)
11	SH106101L	4	
12	WA106041L	4	
13	NH106041L	4	
14	NTC9309	1	
15	NTC9308	1	
16	NTC7565	1	Note(6)
	ANR2091	1	Note(7)
	AAU1979	2	

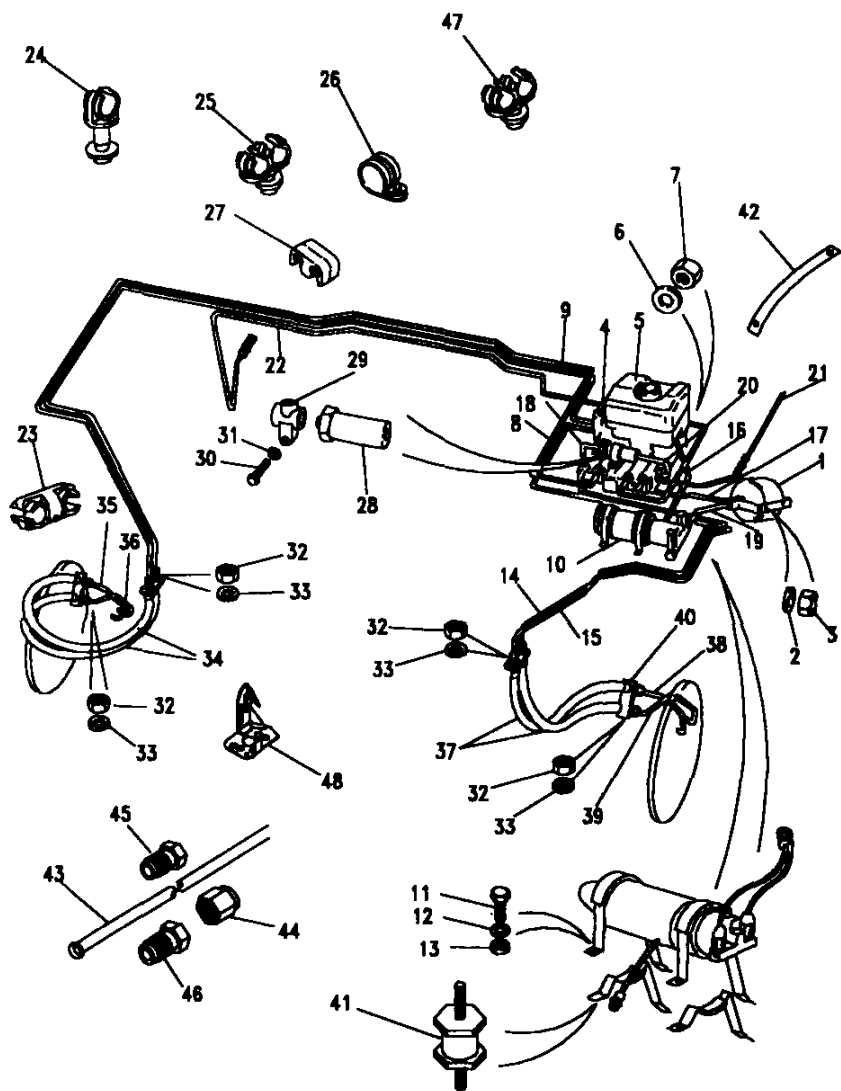


**Model** RANGE ROVER 1992 onwards  
**Page** BDHXAC2A

**BRAKES - BRAKE SYSTEM - ABS.**

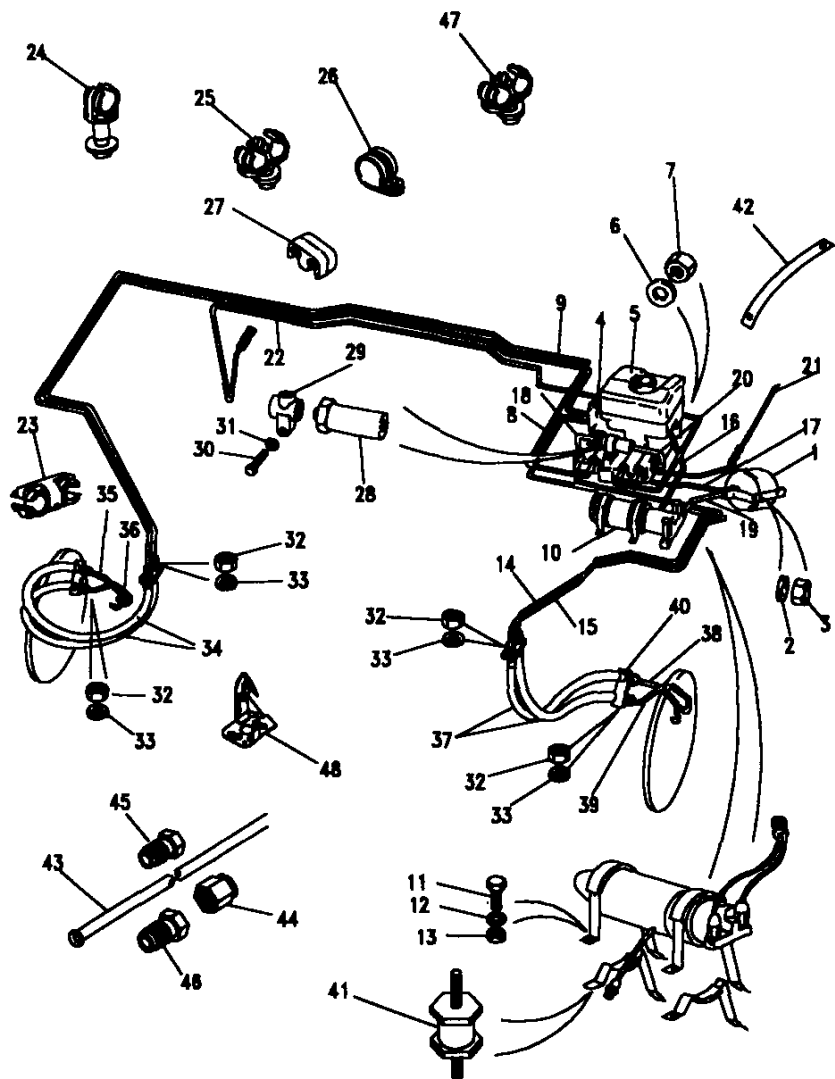
III. Part No.	Description	Qty	Remarks
17	NTC7859	1	Upto LA647644
	ANR2701	1	From MA647645
18	NTC7283	1	Pipe brake
19	NTC7382	1	Hose high pressure
	ANR3489	1	Hose high pressure
	STC1553	2	Bolt banjo
	STC1554	2	Washer copper

Note(1) Up to JA624755  
 Note(2) From KA624756 up to LA647644  
 Note(3) From KA624758.  
 Note(4) Up to KA632718  
 Note(5) From KA632719  
 Note(6) Up to KA631501  
 Note(7) From KA631502  
 Note(8) From MA647645  
 Note(9) Brake pipe also serviced in 8 foot length. Refer to items 42,43,44,45.



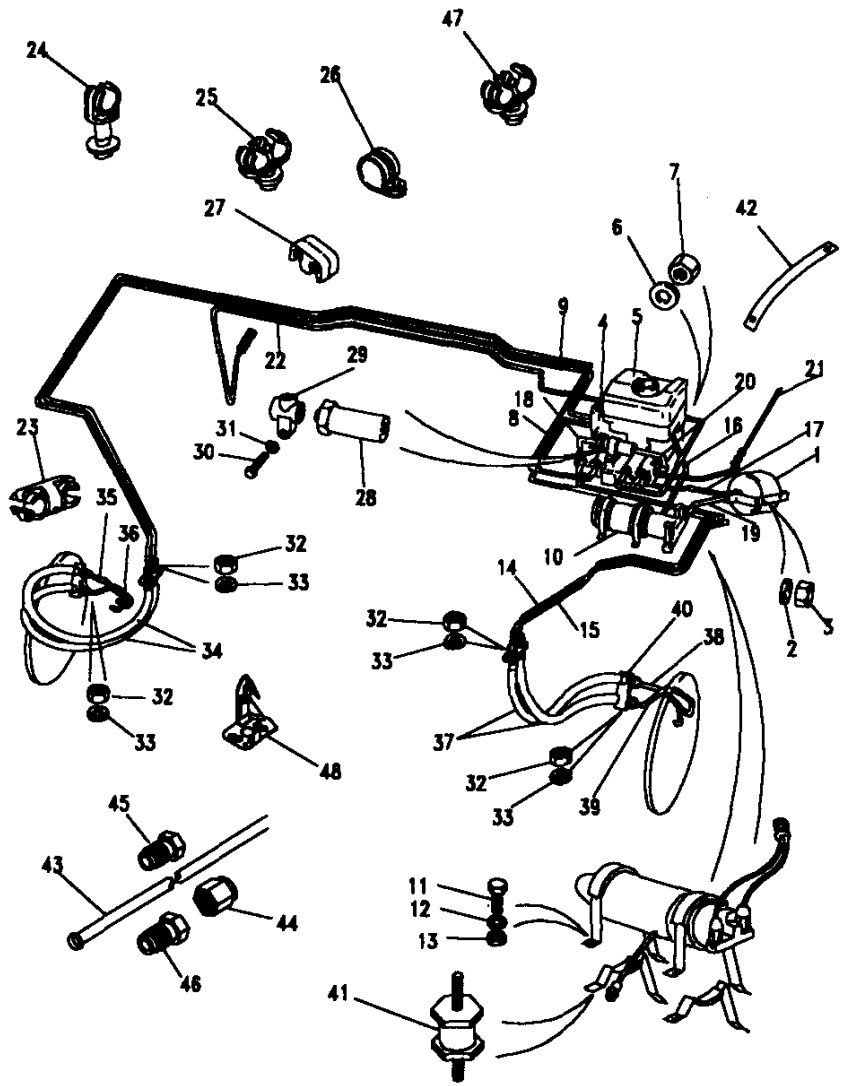
**Model** RANGE ROVER 1992 onwards  
**Page** BDHXAC2A

**BRAKES - BRAKE SYSTEM - ABS.**



iii. Part No.	Description	Qty	Remarks
<b>LHS.</b>			
20	NTC7282	1	
21	NTC8375	1	Note(1)
	ANR1464	1	Note(2)
	ANR2508	1	Note(3)
	ANR2953	1	Note(5)
22	NTC8374	1	Note(1)
	ANR1465	1	Note(4)
	ANR2954	1	Note(5)
23	NTC5027L	A/R	
24	79124	5	
25	79125	9	
26	AEU1452	1	
27	AAU7803	4	
28	NTC6868L	1	
	NRC4251	1	
<b>All 108" L.W.B.only</b>			
28	NTC9753	1	Valve pressure reducing
29	NRC4251	1	Tee Piece
30	SH106101L	1	Screw
31	WA106041L	1	Washer plain
32	CRC1487	8	Nut

Note(1) Up to JA624755  
 Note(2) From KA624756 up to KA640177  
 Note(3) From KA640178up to LA647644  
 Note(4) From KA624756up to LA647644  
 Note(5) From MA647645  
 Note(6) Brake pipe also serviced in 8 foot length.Refer to items 42,43,44,45.



**Model** RANGE ROVER 1992 onwards  
**Page** BDHXAC2A

**BRAKES - BRAKE SYSTEM - ABS.**

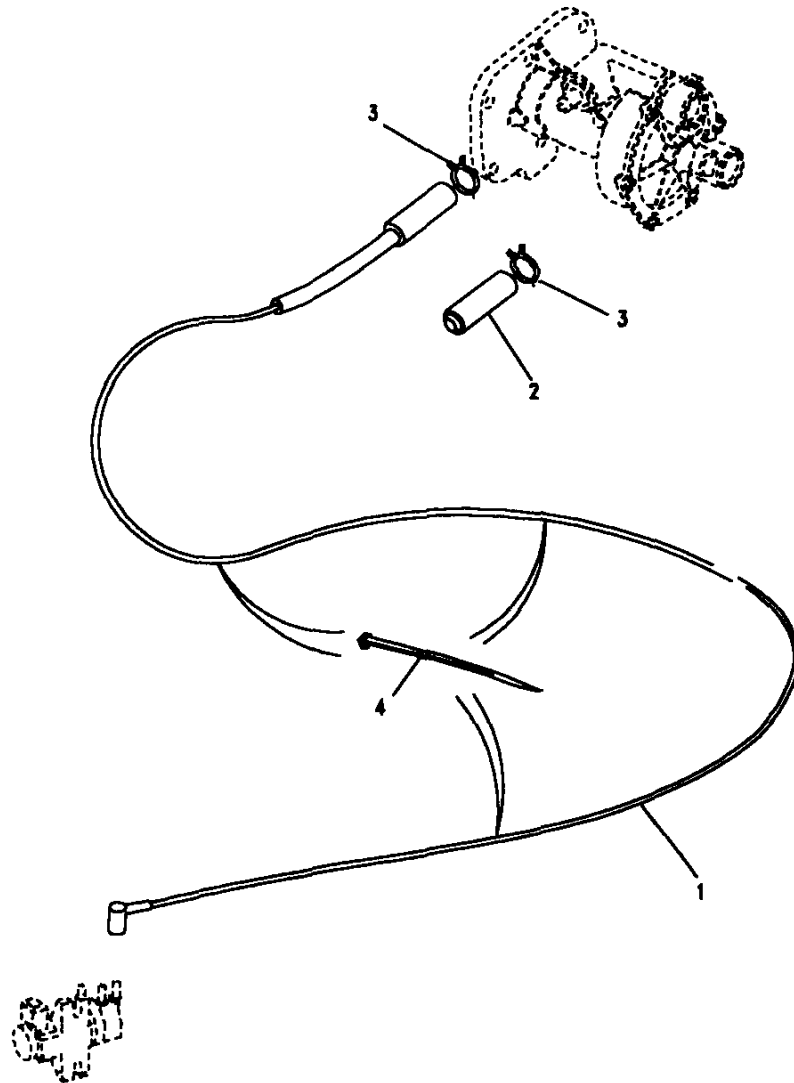
III. Part No.	Description	Qty	Remarks
<b>LHS.</b>			
33 WE110001L	Washer shakeproof	8	
34 NTC7670	Hose flexible RH	2	
35 NTC9545	Pipe brake	1	Secondary
36 NTC9547	Pipe brake	1	Primary
37 NTC7670	Hose flexible LH	2	
38 NTC9546	Pipe brake	1	Primary
39 NTC9548	Pipe brake	1	Secondary
40 FTC1362	Bracket RH	1	
40 FTC1363	Bracket LH	1	
41 NRC9773	Bush flexible	4	Note(1)
ESR1579	Bush flexible	4	Note(2)
42 552632	Lead bonding	1	
43 STC577	Pipe brake	A/R	8 Ft Length
44 FM10	Nut	A/R	
45 MM10	Nut	A/R	
46 TM112051L	Nut	A/R	
47 NTC9530	Clip pipe	3	
48 FTC2214	Mounting plate RH	1	
FTC2215	Mounting plate LH	1	
STC621	Tube heat shrinkable	A/R	

Note(1) Up to JA618020.  
 Note(2) From JA618021.  
 Note(3) Brake pipe also serviced in 8 foot length.Refer to items 42,43,44,45.

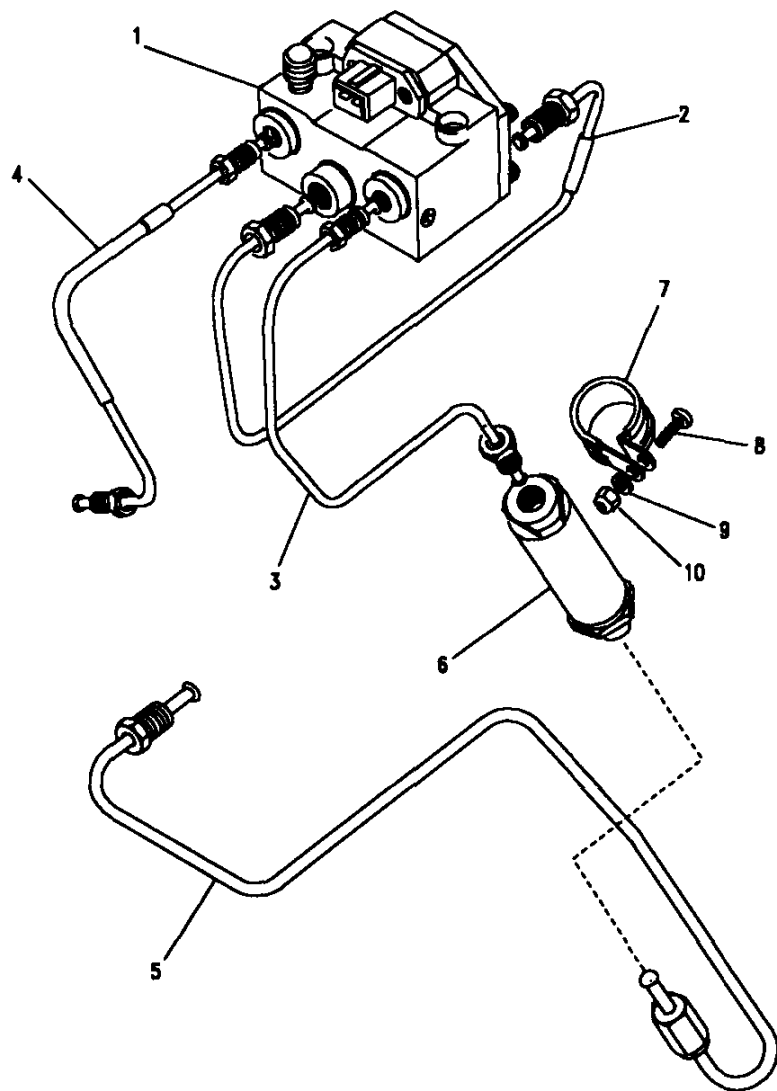
**Model** RANGE ROVER 1992 onwards  
**Page** BDHXAC3A

**BRAKES - BRAKE SYSTEM - ABS.**

III. Part No.	Description	Qty	Remarks
1 ANR3636	Vacuum Hose EGR	1	
2 ANR3637	Vacuum Hose	1	
3 572548	Clip	1	
4 594594	Tie-wrap	A/R	







**Model** RANGE ROVER 1992 onwards  
**Page** BDHXAE1A

**BRAKES - ELECTRONIC TRACTION CONTROL.**

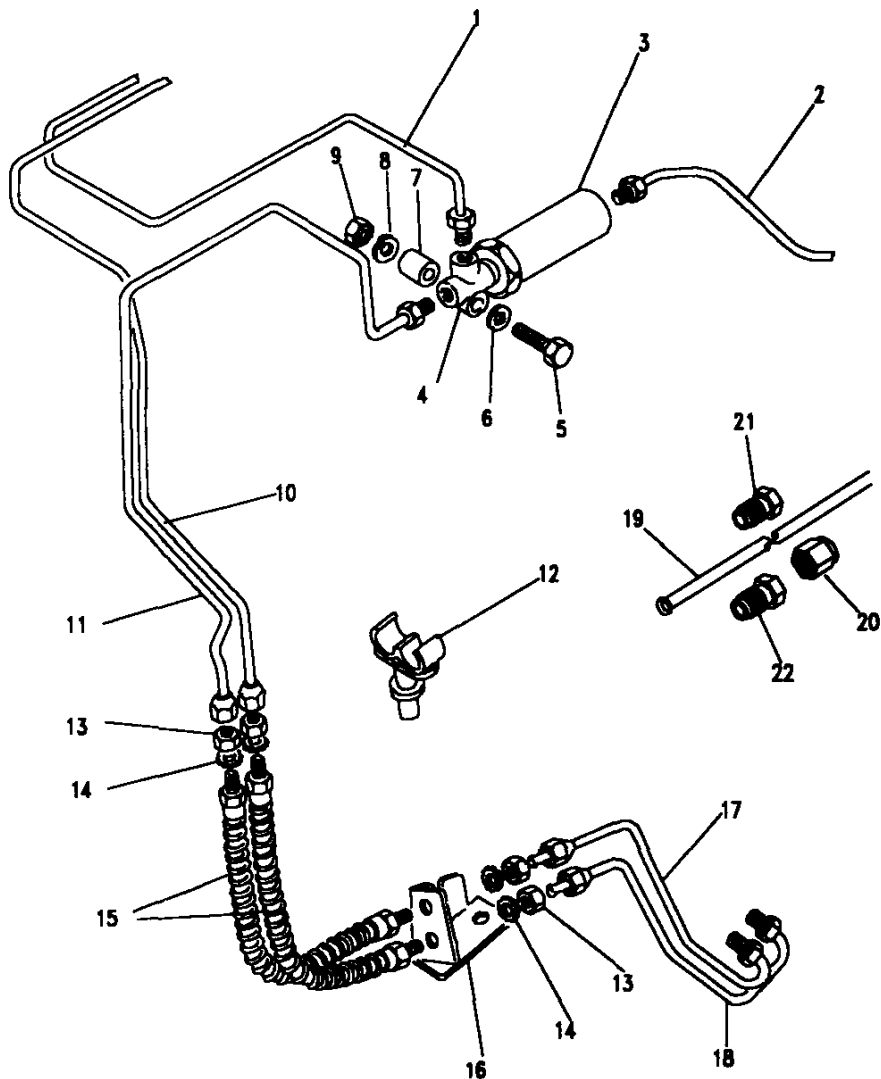
Ill. Part No.	Description	Qty	Remarks
1	STC845	1	Valve block
<b>Valve block to modulator</b>			
2	ANR1119	1	Brake pipe
<b>Valve block to pressure reducing valve - non LSE only</b>			
3	NTC9350	1	Brake pipe RHS
	NTC9349	1	Brake pipe LHS
	ANR3211	1	Brake pipe LHS
<b>Valve block to pressure reducing valve - LSE only</b>			
	NTC9970	1	Brake pipe RHS
	NTC9971	1	Brake pipe LHS
	ANR3213	1	Brake pipe LHS
<b>Valve block to accumulator</b>			
4	NTC8614	1	Brake pipe RHS
	ANR2702	1	Brake pipe RHS
	NTC8613	1	Brake pipe LHS
	ANR2703	1	Brake pipe LHS
<b>Port 27 to pressure reducing valve</b>			
5	NTC8611	1	Brake pipe LHS
	NTC8612	1	Brake pipe RHS
6	NTC9753	1	Valve pressure reducing
7	NTC5027	1	P clip
8	SE106161L	1	Screw
9	WA106041L	1	Washer plain
10	NY106041L	1	Nut

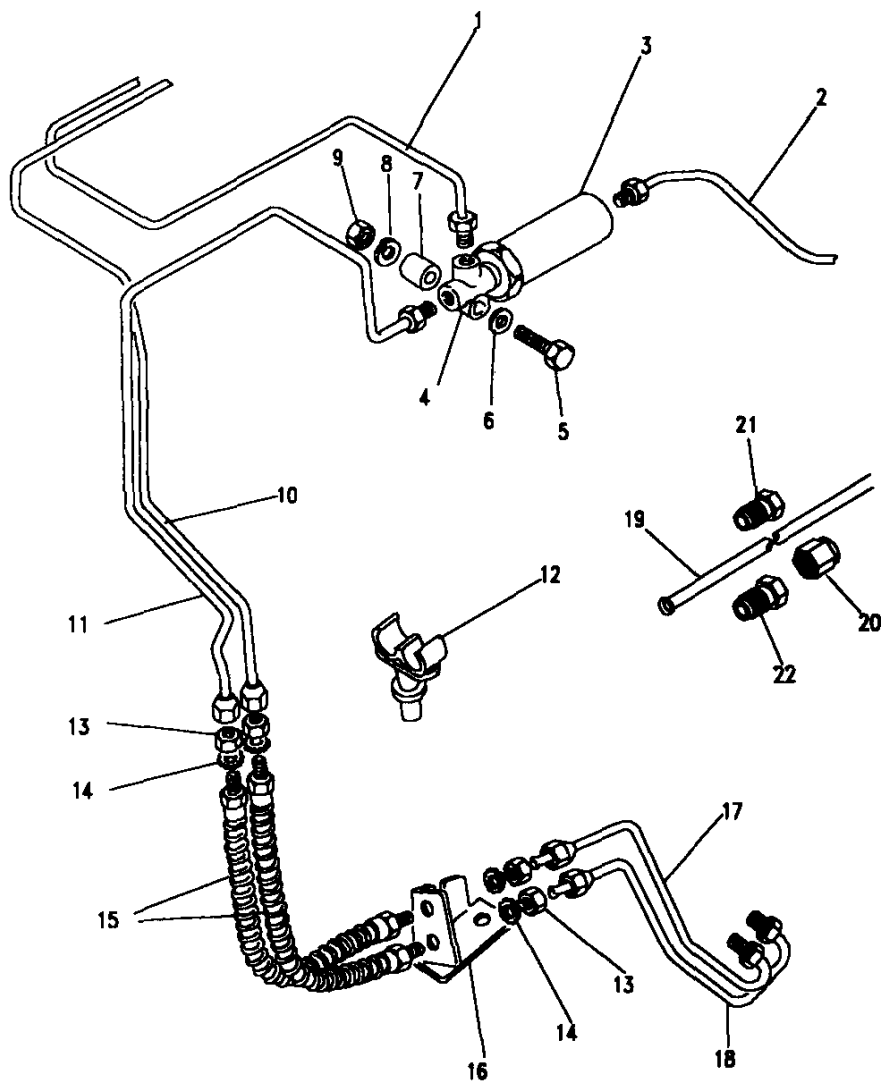
**Model** RANGE ROVER 1992 onwards  
**Page** BDHXCA1A

**BRAKES - BRAKE PIPES - NON ABS.**

III. Part No.	Description	Qty	Remarks
<b>Front RH</b>			
1	NTC8362	1	Pipe brake RHS
	ANR3412	1	Pipe brake RHS
	NTC4208	1	Pipe brake LH Stg
2	NTC9013	1	Pipe brake
	ANR2935	1	Pipe brake
3	NTC6868	1	Valve pressure reducing
<b>L.S.E only.</b>			
	NTC9753	1	Valve pressure reducing
<b>All variants</b>			
4	NRC4251	1	Tee piece
5	FB106081L	1	Bolt flanged
6	WC106041L	1	Washer plain
7	390939	1	Spacer
8	WL106001L	1	Washer spring
9	NY106041L	1	Nut
10	NTC9303	1	Pipe brake RH Stg
	NTC9305	1	Pipe brake LH Stg
11	NTC9304	1	Pipe brake LH Stg
	NTC9303	1	Pipe brake RH Stg
12	79127	3	Clip pipe
	CRC1250L	2	Clip pipe
13	CRC1487	4	Nut

Note(1) Brake pipe also serviced in 8 foot lengths. refer to items 19,20,21,22 below.  
 Note(2) Up to LA647644  
 Note(3) From MA647645





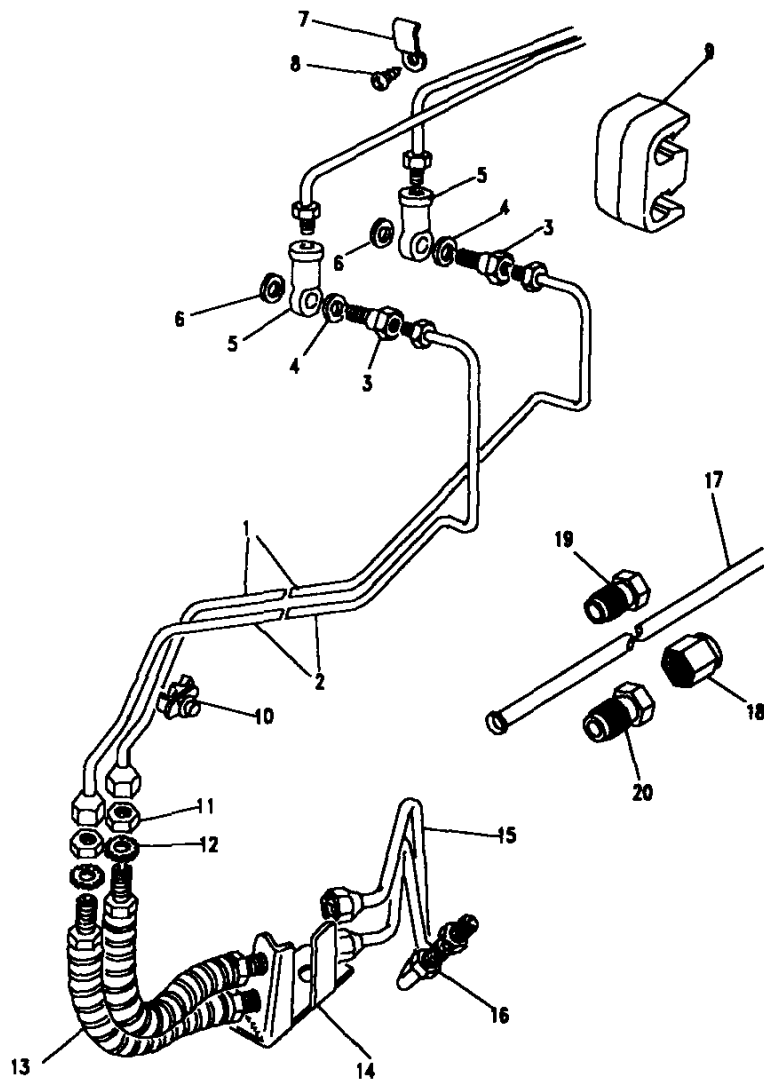
Model RANGE ROVER 1992 onwards

Page BDHXA1A

**BRAKES - BRAKE PIPES - NON ABS.**

III. Part No.	Description	Qty	Remarks
<b>Front RH</b>			
BNP2227L	Clip hose	4	
14 WE110001L	Washer shakeproof	4	
15 NTC7670	Hose flexible	2	
16 FRC8854	Bracket RH	1	Upto LA647644
ANR1710	Bracket RH	1	From MA647645
17 NTC9545	Pipe brake	1	Upto LA647644
ANR2958	Pipe brake	1	From MA647645
18 NTC9547	Pipe brake	1	Upto LA647644
ANR2956	Pipe brake	1	From MA647645
19 STC577	Pipe brake	A/R	8 foot length
20 FM10	Nut	A/R	
21 MM10	Nut	A/R	
22 TM112051	Nut	A/R	
STC621	Tube heat shrinkable	1	

Note(1) Brake pipe also serviced in 8 foot lengths. refer to items 19,20,21,22 above.



**Model** RANGE ROVER 1992 onwards  
**Page** BDHXCA2A

**BRAKES - BRAKE PIPES - NON ABS.**

Ill. Part No.	Description	Qty	Remarks
<b>Front LH</b>			
1	NTC9300	1	Pipe brake RH Stg
	NTC9304	1	Pipe brake LH Stg
2	NTC9301	1	Pipe brake RH Stg
	NTC9305	1	Pipe brake LH Stg
3	NRC5588	2	Bolt banjo
4	RTC5931	2	Washer
5	NRC5589	2	Bolt banjo
6	NRC5721	2	Washer
7	508945	5	Clip
8	AB608031L	5	Screw
9	AAU7803	1	Retainer
10	79127	1	Clip pipe
11	CRC1487	4	Nut
	BNP2227L	4	Clip hose
12	WE110001L	4	Washer shakeproof
13	NTC7670	2	Hose flexible
14	FRC8855	1	Bracket LH
	ANR1709	1	Bracket LH
15	NTC9548	1	Pipe brake Secondary
	ANR2955	1	Pipe brake Secondary
16	NTC9546	1	Pipe brake Primary
	ANR2957	1	Pipe brake Primary
17	STC577	A/R	Pipe brake
18	FM10	A/R	Nut
19	MM10	A/R	Nut
20	TM112051	A/R	Nut
	STC621	1	Tube heat shrinkable

Note(1) Brake pipes also serviced in 8 foot length. Refer to items 17,18,19,20, above.

**Model** RANGE ROVER 1992 onwards

**Page** BDHXEA1A

**BRAKES - BRAKE PIPES REAR - NON ABS.**

**III. Part No.**

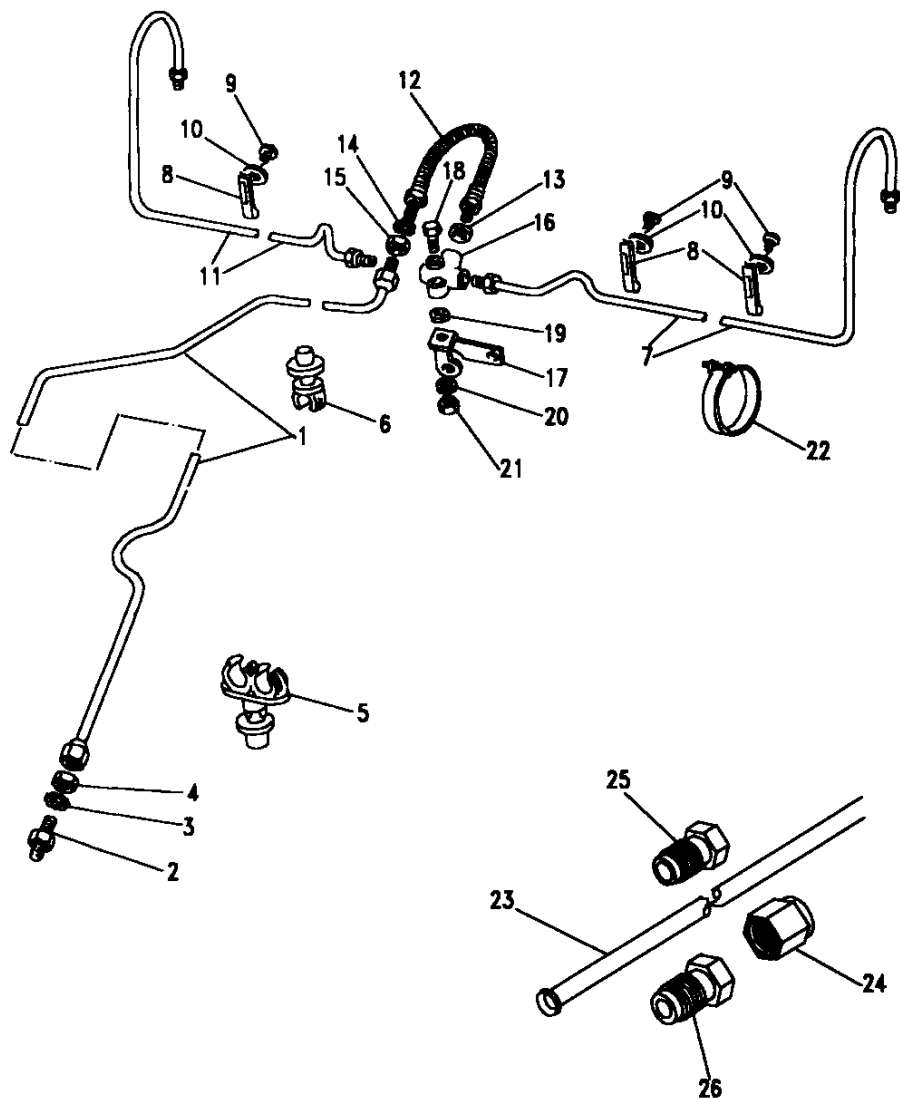
**Description**

**Qty Remarks**

1	NTC9273	Pipe brake	1	See note
2	NRC4403	Union	1	
3	WE110001L	Washer shakeproof	1	
4	CRC1487	Locknut	1	
5	NTC8242	Clip	4	
6	CRC1250	Clip	5	
7	NTC7689	Pipe brake LH	1	See note
8	NTC8242	Clip double	3	
9	79004	Screw	3	
10	WC702101L	Washer plain	3	
11	NTC7676	Pipe brake RH	1	See note
12	NTC3458	Hose flexible	1	
13	577475	Washer plain	1	
14	WE110001L	Washer shakeproof	1	
15	CRC1487	Locknut	1	
16	NRC4251	Tee Piece	1	
17	90577489	Bracket	1	
18	BH106061L	Bolt	1	
19	WA106041L	Washer plain	2	
20	WL106001L	Washer spring	1	
21	NH106041L	Nut	1	
22	11820L	Clip	1	Diesel
23	STC577	Pipe Brake	A/R	8 foot length
24	FM10	Nut	A/R	
25	MM10	Nut	A/R	
26	TM112051L	Nut	A/R	

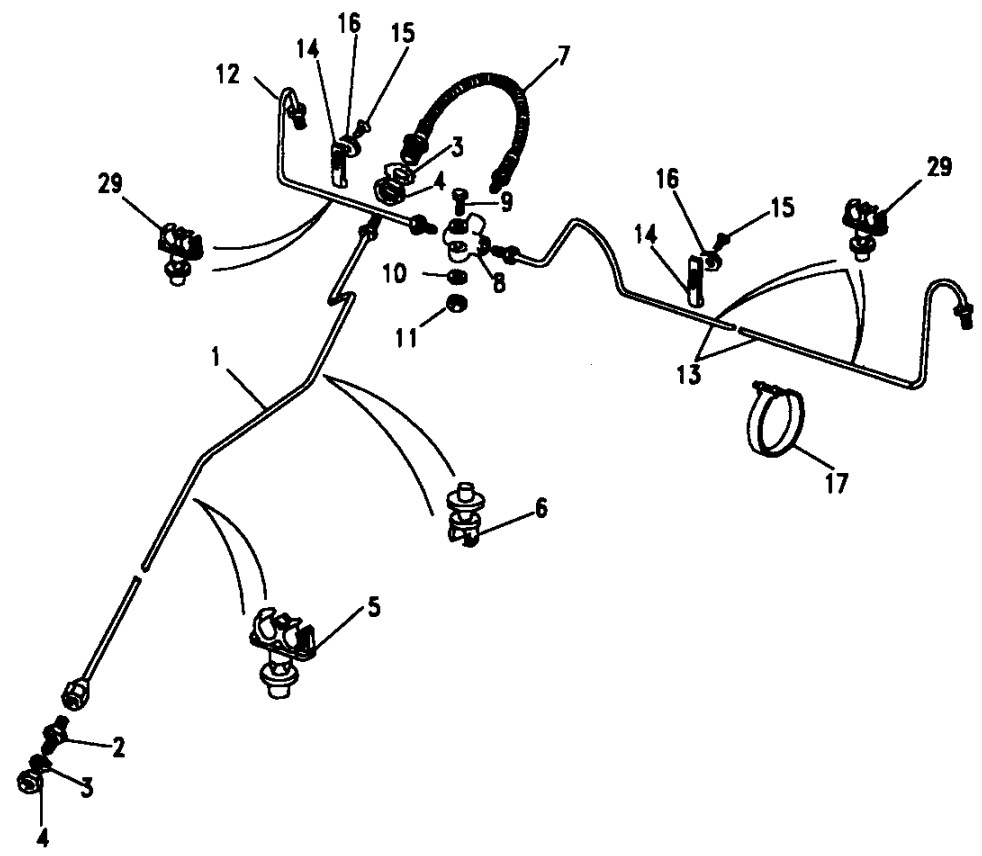
Note(1)

Brake pipes also serviced in 8 foot lengths, refer to items 23,24,25,26, above.



**Model** RANGE ROVER 1992 onwards  
**Page** BDHXEA2A

**BRAKES - BRAKE PIPES REAR - WITH ABS.**



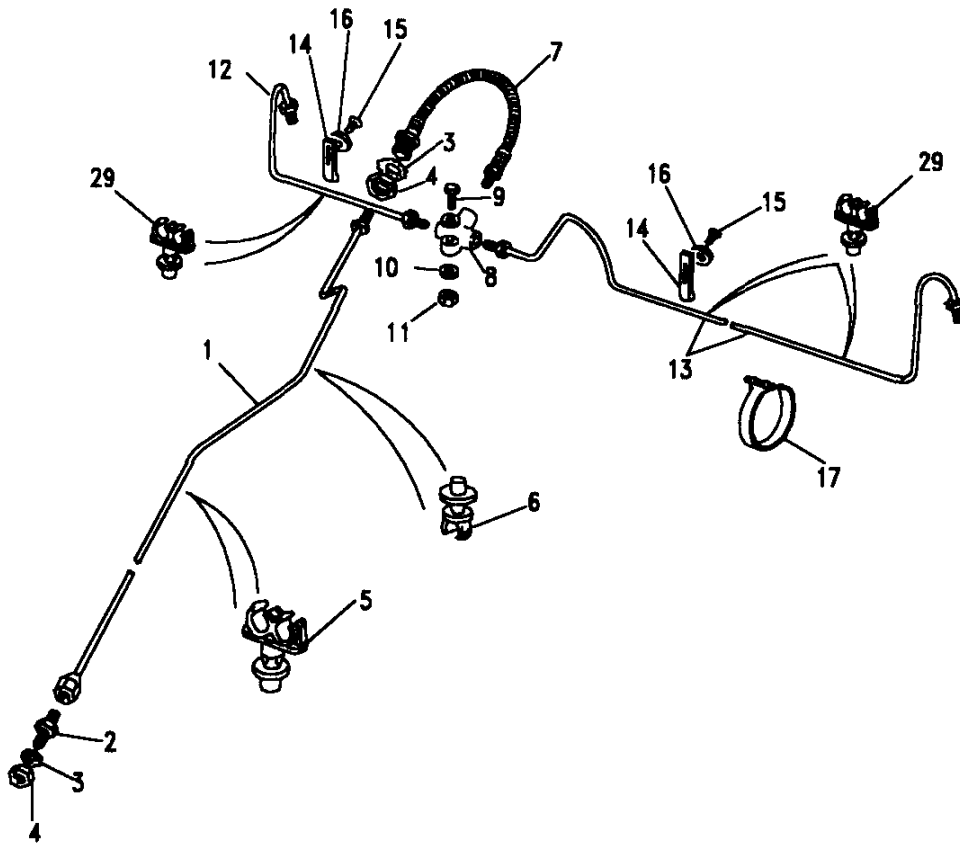
III. Part No.	Description	Qty	Remarks
1	NTC9293	1	RHS
	NTC8874	1	LHS
2	NTC9292	1	RHS
	NTC8872	1	LHS
<b>108" L.W.B. only.</b>			
1	NTC9041	1	RH Stg
	NTC9038	1	LH Stg
2	NTC9039	1	RH Stg
	NTC9040	1	LH Stg
<b>All variants</b>			
3	NRC4403	2	Union
4	WE110001L	2	Washer shakeproof
5	CRC1487	2	Locknut
6	79125	4	Clip
7	79124	5	Clip
8	NTC7688	1	Pipe brake LH See note
9	NTC8242	3	Clip double
10	79004	3	Screw
11	WC702101L	3	Washer plain
12	11820L	1	Clip
13	NTC7689	1	Pipe brake RH See note

Model RANGE ROVER 1992 onwards  
 Page BDHXEA2A

**BRAKES - BRAKE PIPES REAR - WITH ABS.**

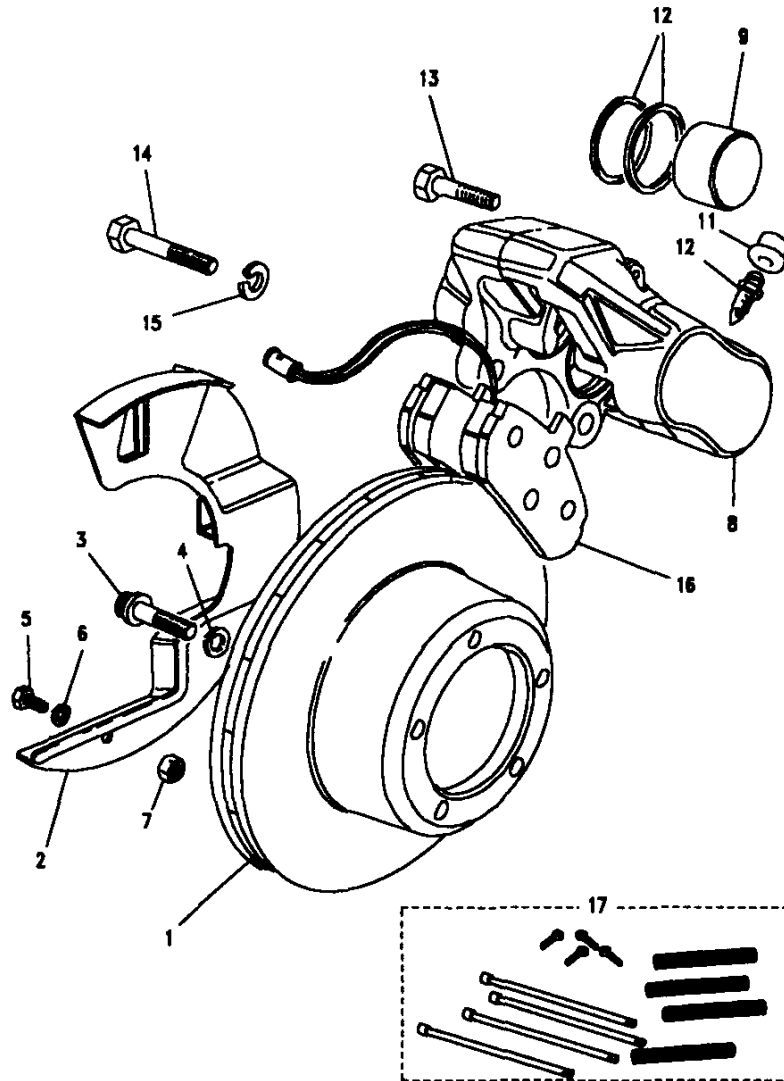
III. Part No.	Description	Qty	Remarks
14	NTC3458	2	Hose flexible
15	577475	2	Washer plain
16	WE110001L	2	Washer shakeproof
17	CRC1487	2	Locknut
18	NTC7291	1	Tee piece
19	NTC1977	1	Bracket
20	BH106061L	1	Bolt
21	WA106041L	2	Washer plain
22	WL106001L	1	Washer spring
23	NH106041L	1	Nut
24	STC577	A/R	Pipe Brake 8 foot length
25	FM10	A/R	Nut
26	MM10	A/R	Nut
27	TM112051L	A/R	Nut
28	NTC9530	3	Clip pipe
29	NTC8242	3	Clip pipe double

Note(1) Brake pipes now serviced in 8 foot lengths, refer to items 24,25,26,27, above.



**Model** RANGE ROVER 1992 onwards  
**Page** BDHXGA1A

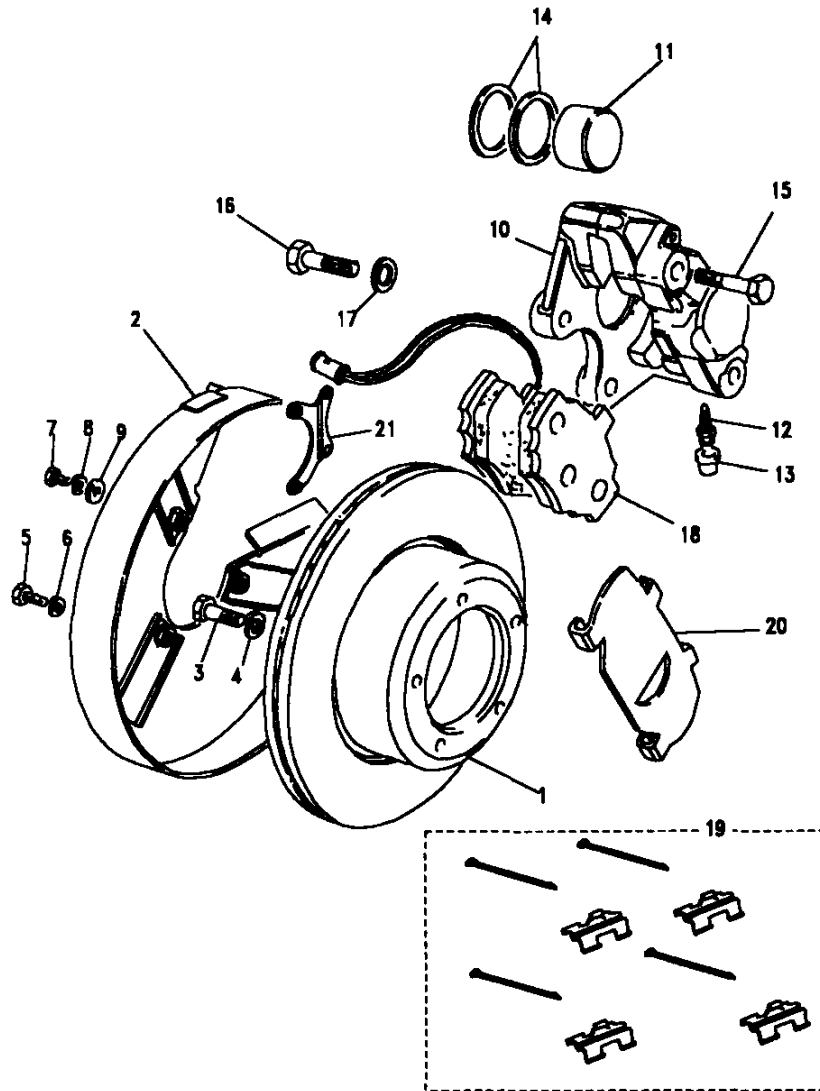
**BRAKES - FRONT BRAKES.**



Ill. Part No.	Description	Qty	Remarks
1	FTC902	2	Brake disc
2	577176	1	Mud shield RH
	577177	1	Mud shield LH
3	FRC9126	10	Bolt
4	WL110001L	10	Washer spring
5	FS106167L	2	Screw
6	WL106001L	2	Washer spring
7	NH106041L	2	Nut
8	RTC6776	1	Caliper brake RH
	RTC6777	1	Caliper brake LH
	STC1282	1	Caliper brake RH
	STC1283	1	Caliper brake LH
9	606683	8	Piston
	STC1278	1	Kit piston repair
10	RTC1526	6	Nipple bleed
11	594091	6	Cover
12	AEU1547	4	Kit gasket and seal
13	RTC1136	8	Bolt
14	571910	4	Bolt 7/16"unf
	FTC3375	4	Bolt M12
15	WM600071L	4	Washer spring
16	STC8571	1	Brake pad axle set
17	STC8575	1	Kit pad retention

Note(1) Up to 48L11839C,47L11587C,48L05148C,49L11363C,50L00996C,  
 51L07997C,54L00056B,55L00497B,56L03429B,57L05188B.(Imperial)  
 Note(2) From 48L11840C,47L11588C,48L05147C,49L11364C,50L00997C,  
 Note(3) 51L07998C,54L00057B,55L00498B,56L03430B,57L05189B.(Metric)  
 Note(4) Supplier advises that caliper seals are not a serviceable item. Please  
 Note(5) replace complete caliper

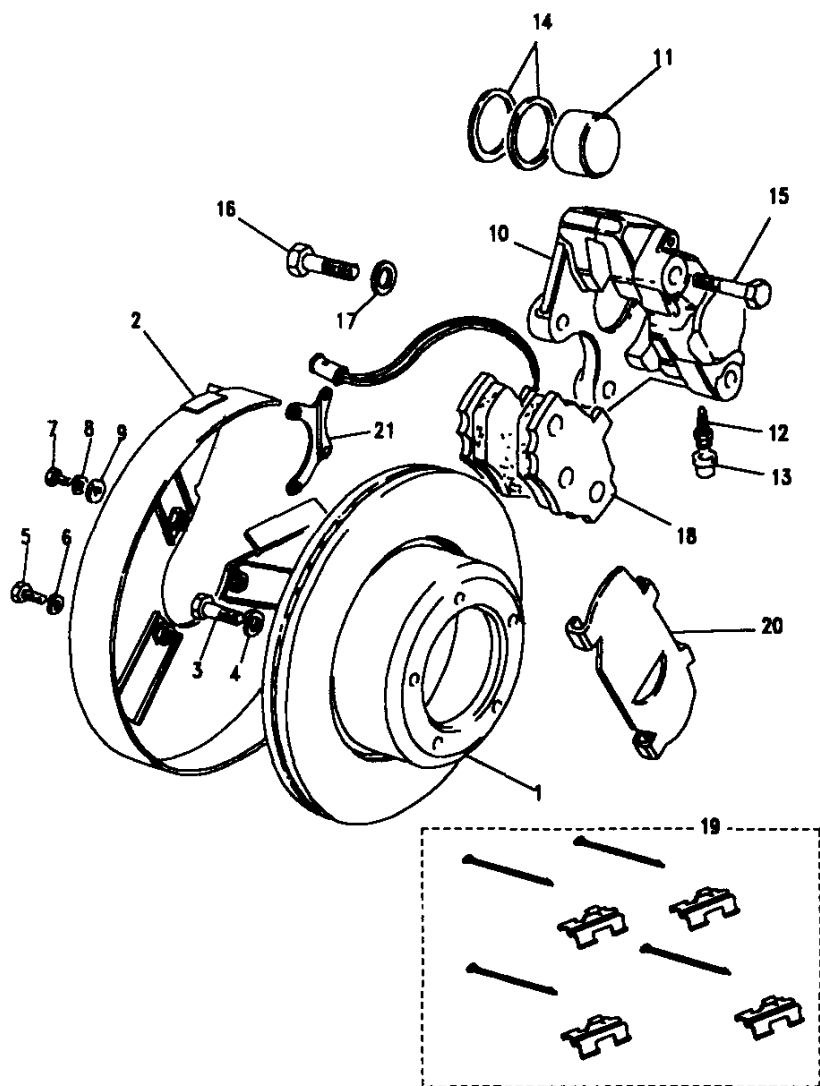




**Model** RANGE ROVER 1992 onwards  
**Page** BDHXIA1A

**BRAKES - REAR BRAKES - NON ABS.**

III. Part No.	Description	Qty	Remarks
1	FTC1381 Brake disc	2	
<b>Up to JA624755</b>			
2	FTC1372 Mud shield RH	1	
	FTC1373 Mud shield LH	1	
<b>Police up to JA624755</b>			
	FTC1322 Mud shield RH	1	
	FTC1323 Mud shield LH	1	
<b>All variants from KA624756</b>			
	FTC2600 Mud shield RH	1	
	FTC2601 Mud shield LH	1	
<b>All variants</b>			
3	AFU1180 Bolt	10	
4	WM600061L Washer spring	10	
5	255207 Screw	2	
6	WM600041L Washer spring	2	
7	SH604071L Screw	8	
8	WL106001L Washer spring	8	



**Model** RANGE ROVER 1992 onwards  
**Page** BDHXIA1A

**BRAKES - REAR BRAKES - NON ABS.**

III. Part No.	Description	Qty	Remarks
9	WA106041L	8	
10	RTC5889	1	)
	RTC5890	1	)Note(1)
	STC1264	1	)
	STC1265	1	)Note(2)
11	606696	4	
	STC1279	1	
12	RTC1526	2	
13	594091	2	
14	AEU1547	2	

Note(1)

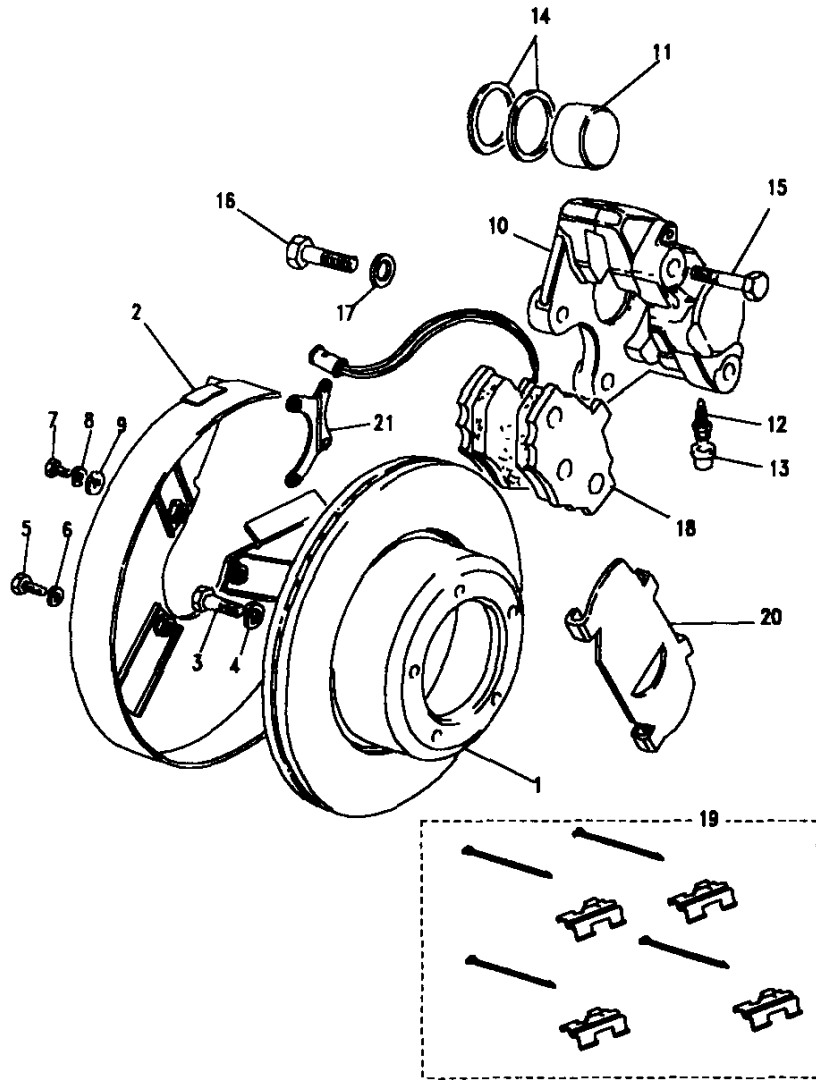
Note(2)

Note(3)

Up to 36S00594B,34S16421C.(Imperial caliper thread)

From 36S00595B,34S16422C.(Metric caliper thread)

Supplier advises that caliper seals are not a servicable item. Please replace complete caliper



**Model** RANGE ROVER 1992 onwards  
**Page** BDHXIA1A

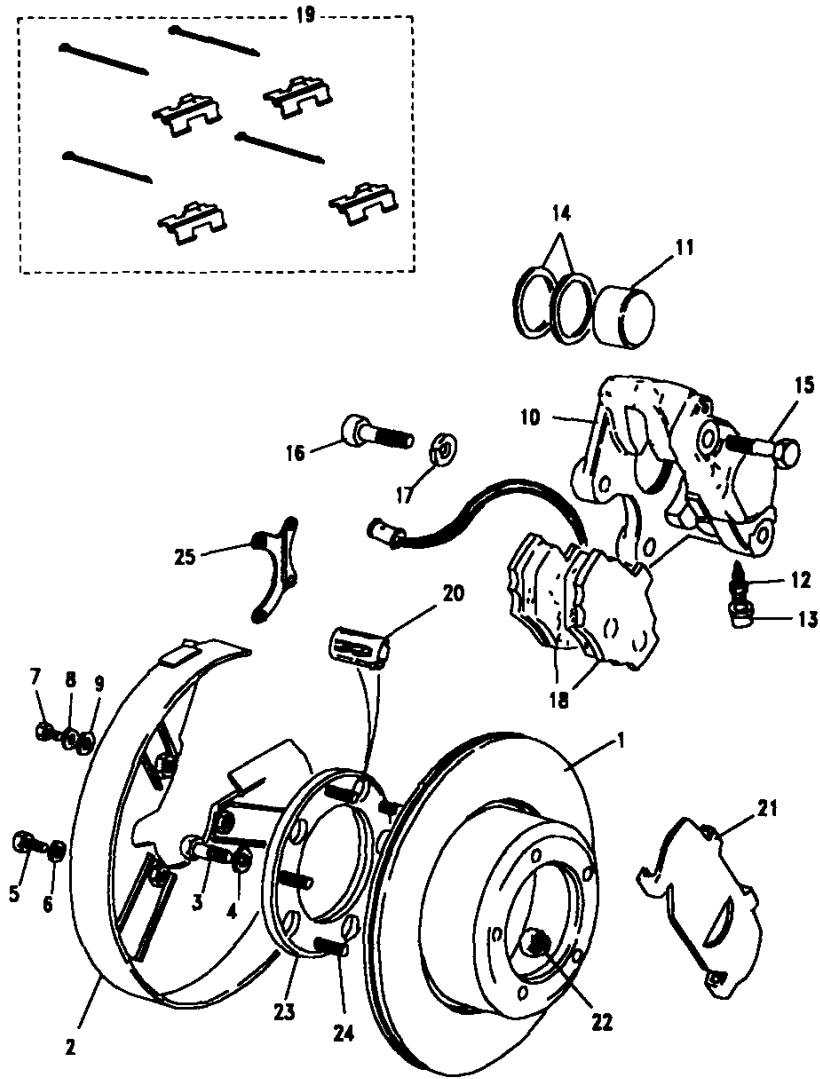
**BRAKES - REAR BRAKES - NON ABS.**

III. Part No.	Description	Qty	Remarks
15 27H4353L	Bolt	2	
16 591065	Bolt 7/16 unf	4	
FTC3375	Bolt M12	4	
17 WM600071L	Washer spring	4	
18 STC8570	Brake pad axle set	1	
19 STC8574	Kit brake pad retention	1	Note(1)
20 591628	Shim	2	Outer LH
591629	Shim	2	Outer RH
21 FTC3299	Mudshield mtg bracket	2	Note(2)

Note(1) For use with STC8570.  
 Note(2) From KA624756

**Model** RANGE ROVER 1992 onwards  
**Page** BDHXIA2A

**BRAKES - REAR BRAKES - WITH ABS.**



III. Part No.	Description	Qty	Remarks
1	FTC1381	2	Brake disc
2	FTC1372	1	Mud shield RH
	FTC1373	1	Mud shield LH
	FTC2800	1	Mud shield RH
	FTC2601	1	Mud shield LH
	FTC3320	1	Mud shield RH
	FTC3321	1	Mud shield LH
3	FTC1368	10	Bolt
4	WM600061L	10	Washer spring
5	255207	2	Screw
6	WM600041L	2	Washer spring
7	SH604071L	8	Screw
8	WL106001L	8	Washer spring
9	WA106041L	8	Washer plain
10	RTC5889	1	Caliper brake RH
	RTC5890	1	Caliper brake LH
	STC1264	1	Caliper brake RH
	STC1265	1	Caliper brake LH
11	606696	4	Piston
	STC1279	1	Kit piston repair
12	RTC1526	2	Nipple bleed
13	594091	2	Cover
14	AEU1547	2	Kit gasket and seal

Note(1) Up to JA624755  
 Note(2) From KA624756 up to KA637567  
 Note(3) From KA637568  
 Note(4) Up to 37S08850B,35S18188C.(Imperial caliper thread)  
 Note(5) From 37S08851B,35S18189C.(Metric caliper thread)  
 Note(6) Supplier advises that caliper seals are not servicable item. Please replace complete caliper

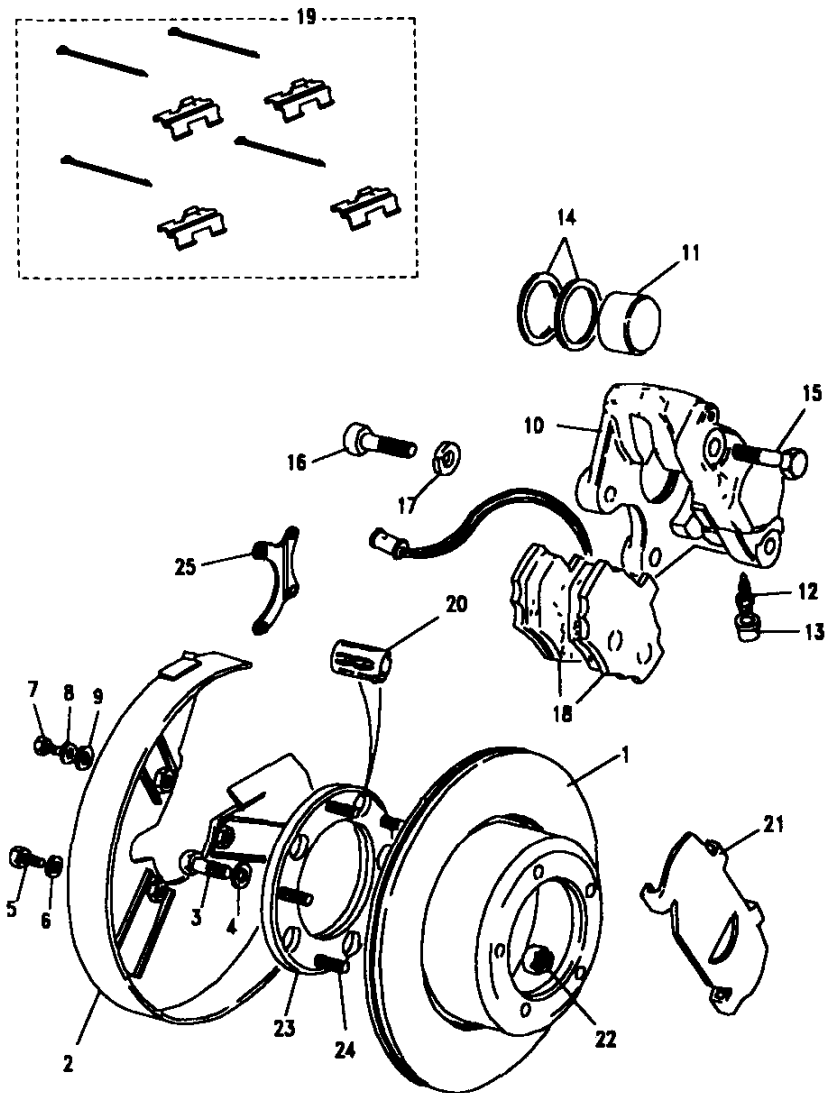


Model RANGE ROVER 1992 onwards  
Page BDHXIA2A

**BRAKES - REAR BRAKES - WITH ABS.**

Ill. Part No.	Description	Qty	Remarks
15	27H4353L Bolt	2	
16	591065 Bolt 7/16"unf	4	
	FTC3375 Bolt M12	4	
17	WM600071L Washer spring	4	
18	STC8570 Brake pad axle set	1	
19	STC8574 Kit brake pad retention	1	
20	FTC1374 Bush	2	
21	591628 Shim	2	Outer LH
	591629 Shim	2	Outer RH
22	NY106041 Nut	10	
23	FTC1379 Sensor ring	2	
24	NSS Stud	10	Use FTC1379
25	FTC3299 Bracket mounting	2	Note(1)

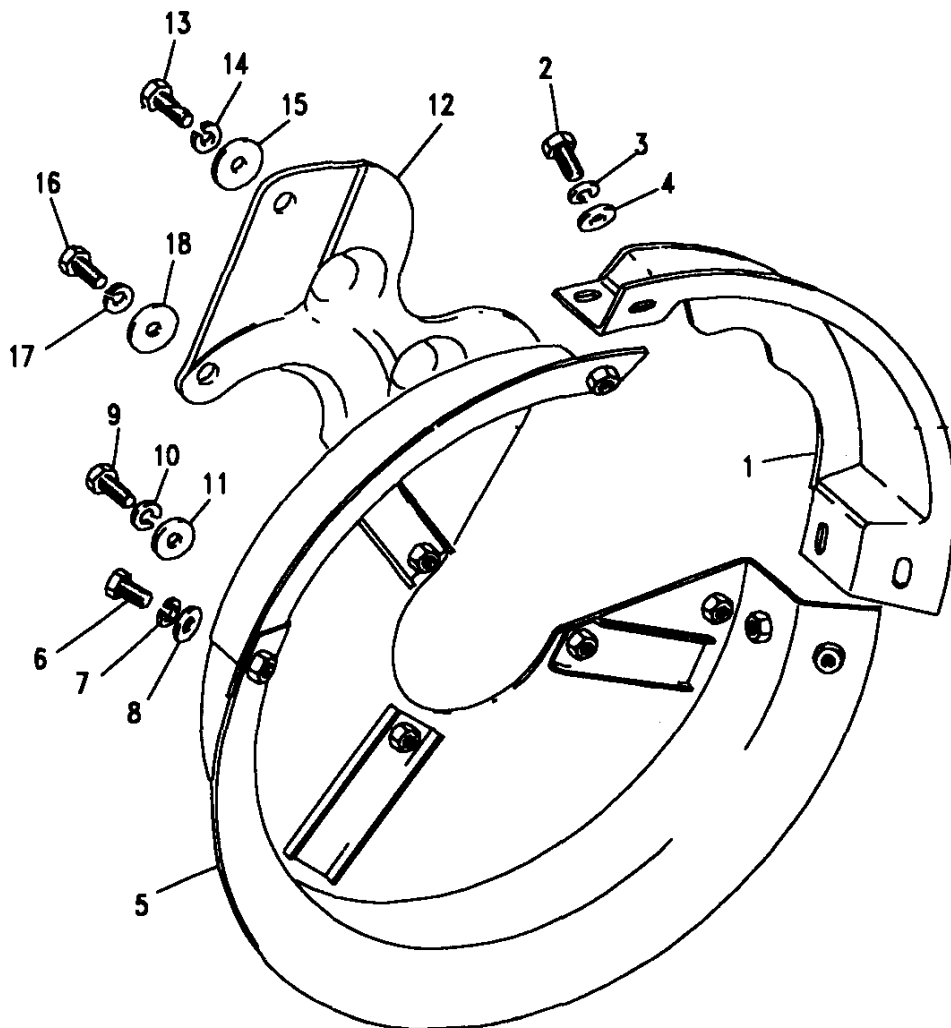
Note(1) From KA637568



Model RANGE ROVER 1992 onwards

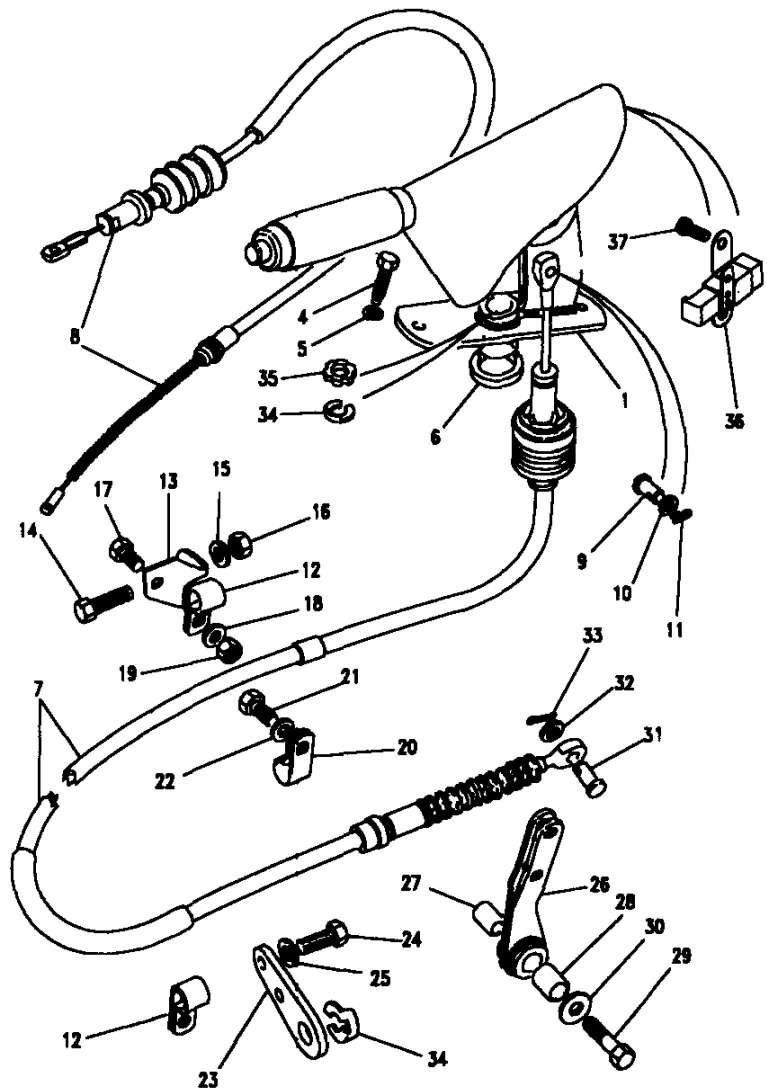
Page BDHXKA1A

**BRAKES - SPLASH SHIELDS.**



Ill. Part No.	Description	Qty	Remarks
1	NTC3360	1	Cover top RH
	NTC3361	1	Cover top LH
2	255206	8	Bolt
3	WM600041L	8	Washer spring
4	3900	8	Washer plain
5	624208	1	Shield splash RH
	624209	1	Shield splash LH
	FTC2600	1	Shield splash RH
	FTC2601	1	Shield splash LH
	FTC3320	1	Shield splash RH
	FTC3321	1	Shield splash LH
	FTC3299	1	Bracket mounting
6	255204	4	Bolt
7	WM600041L	4	Washer spring
8	WA106041L	1	Washer plain
9	255206	2	Bolt
10	WM600041L	2	Washer spring
11	3900	2	Washer plain
12	NRC8416	1	Cover side RH
	NRC8417	1	Cover side LH
13	255206	4	Bolt
14	WM600041L	4	Washer spring
15	2215	4	Washer plain
16	255207	4	Bolt
17	WM600041L	4	Washer spring
18	2215	4	Washer plain

Note(1) Up to JA624755  
 Note(2) From KA624756 up to KA637567  
 Note(3) From KA637568



**Model** RANGE ROVER 1992 onwards  
**Page** BDHXMA1A

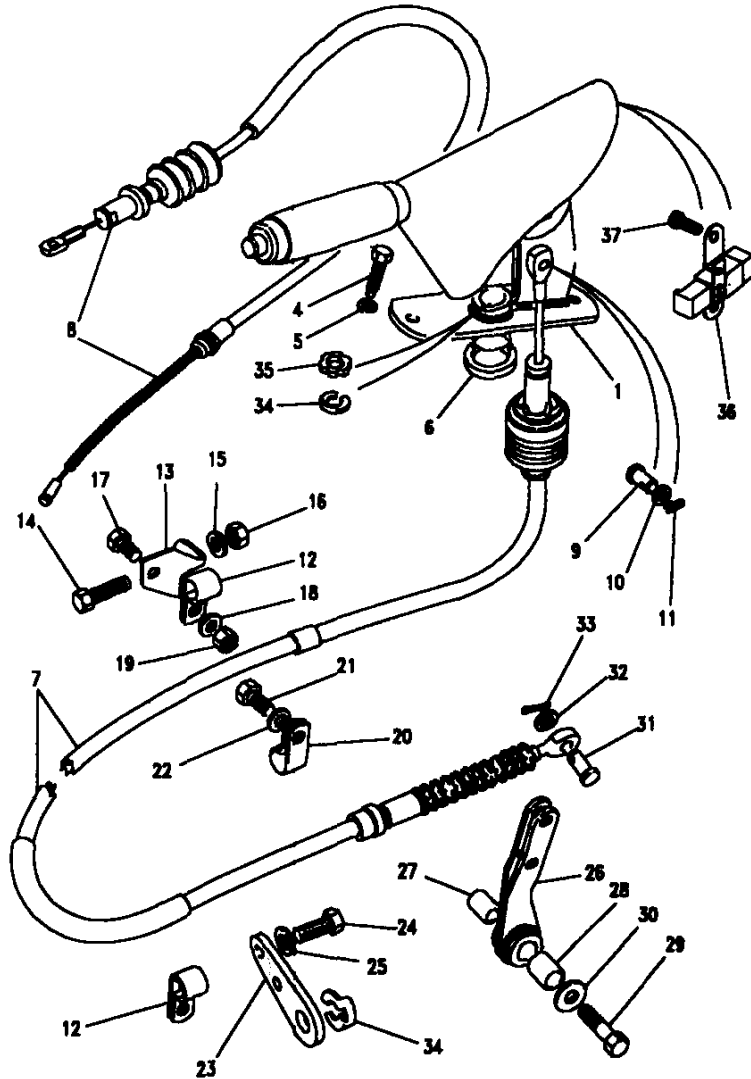
**BRAKES - HANDBRAKE.**

III. Part No.	Description	Qty	Remarks
<b>Non leather</b>			
1	NTC7795RUN	1	Handbrake assembly
2	MXC7712RUN	1	Gaiter
1	ANR2467RUN	1	Handbrake assembly
2	MXC7712RUN	1	Gaiter
1	ANR3623LNF	1	Handbrake assembly
2	BTR8839LNF	1	Gaiter
<b>Leather</b>			
1	NTC7794RUN	1	Handbrake assembly
	ANR2468RUN	1	Handbrake assembly
	ANR3622LNF	1	Handbrake assembly
2	MXC7711RUN	1	Gaiter
	BTR8838LNF	1	Gaiter
<b>All variants</b>			
3	NTC2243	1	Grip handbrake
4	FS108351	2	Screw
5	WL108001L	2	washer spring
6	NTC5026	2	Gasket
	NTC1340	2	Gasket
7	NTC6125	1	Cable handbrake
8	STC1528	1	Cable handbrake
	STC1418	1	Sleeve protection
9	PC108291	1	Pin clevis
	FRC8547	1	Pin Clevis

Note(1) Up to KA628986  
 Note(2) From KA628987 up to LA647644  
 Note(3) Up to LA647644  
 Note(4) From MA647645  
 Note(5) RUN - Bokhara

Model RANGE ROVER 1992 onwards  
 Page BDHXMA1A

**BRAKES - HANDBRAKE.**



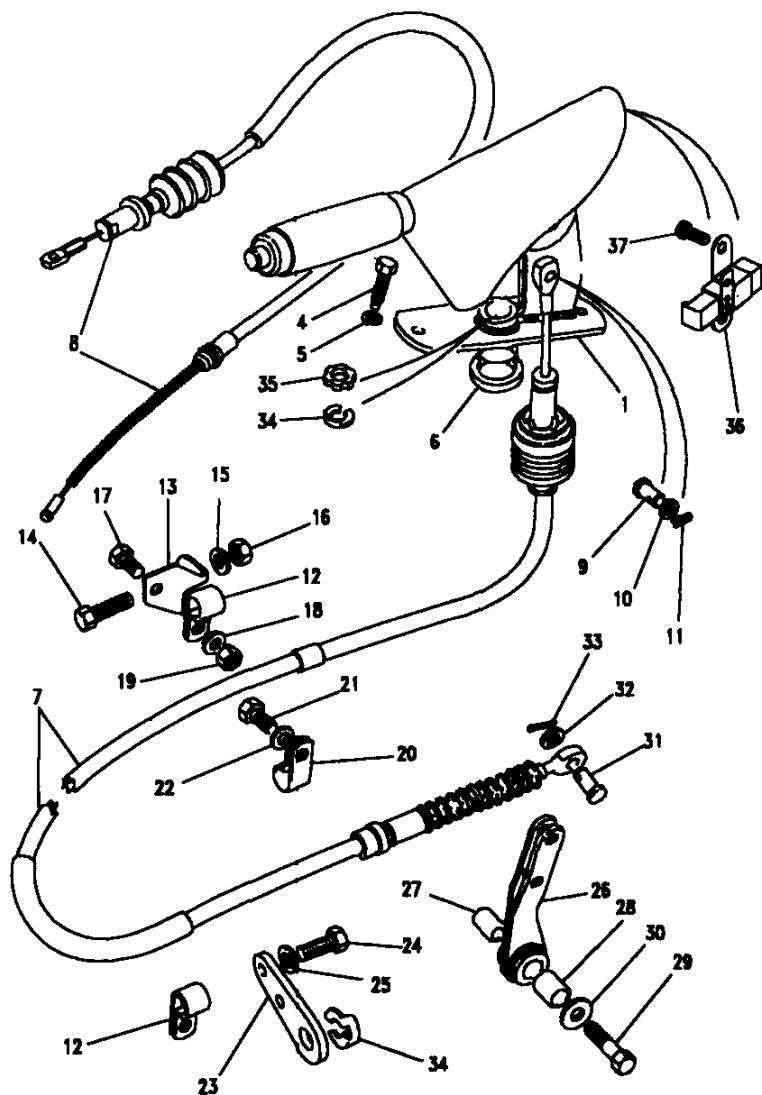
III. Part No.	Description	Qty	Remarks
10	WB108051L	1	
11	NTC6195	1	Upto LA647644
	FRC8548	1	From MA647645
12	CP108161L	2	
13	NTC5690	1	
14	SH110351L	1	
15	WA110061L	1	
16	FN110047	1	
17	SH108161L	1	
18	WA108051L	1	
19	NH108041L	1	
20	CP110161L	1	
21	SH110201L	1	
22	WA110061L	1	
23	NTC3749	1	
24	FS108251	1	
25	WA108051L	1	
26	NTC3747	1	
27	NTC3748	1	
28	NTC5148	1	
29	BH110091L	1	



**Model** RANGE ROVER 1992 onwards  
**Page** BDHXMA1A

**BRAKES - HANDBRAKE.**

III. Part No.	Description	Qty	Remarks
30	WA110061L	1	Washer plain
31	PC108321L	2	Pin clevis
32	WA108051L	2	Washer plain
33	PS104127L	2	Pin split
34	NTC5147	2	Clip retaining
35	NTC5009	1	Adjustment Nut
36	ADU2888L	1	Switch handbrake warning
37	SE104121L	2	Screw
	MUC6384	1	Grommet
	MXC8709	1	Plug
	WL108001	2	Spring washer

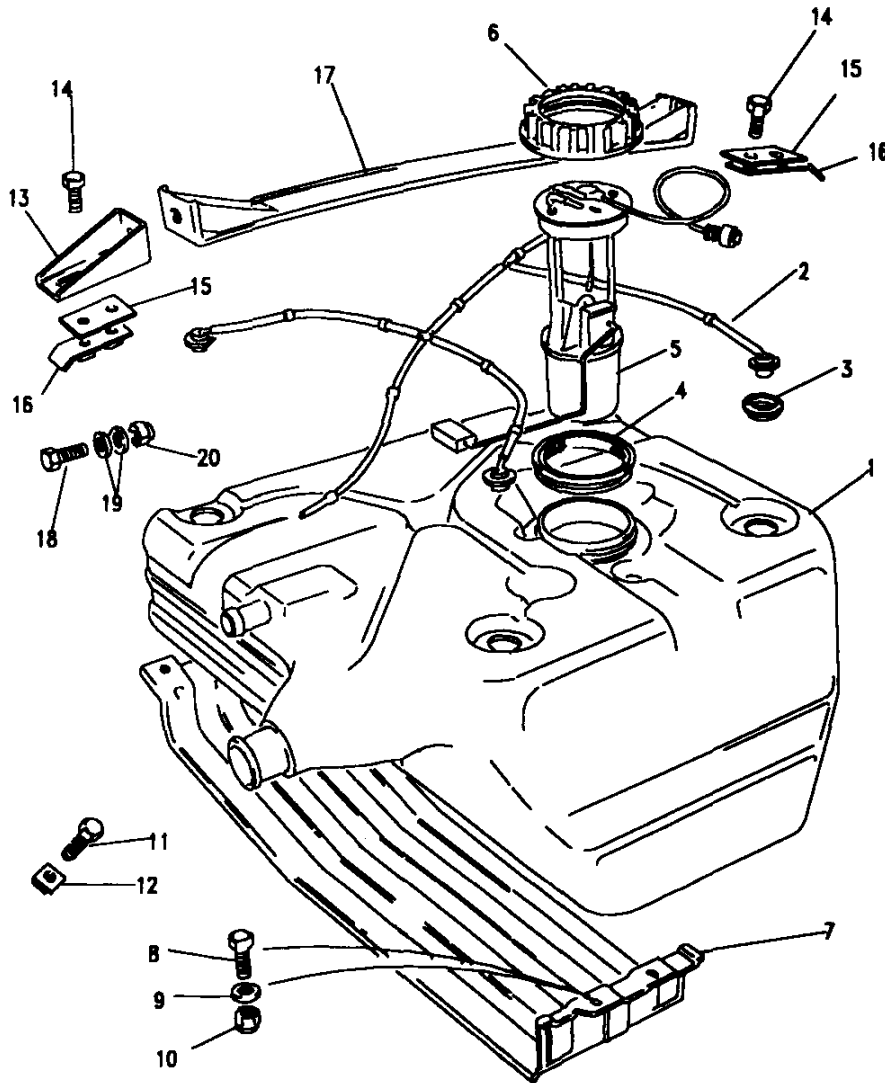


**MASTER INDEX**

	PAGES
INTRODUCTION PAGES	1 - 3
ALPHABETICAL INDEX	4 - 9
ENGINE	10 - 50
ENGINE	51 - 88
ENGINE	89 - 133
ENGINE	134 - 172
GEARBOX	173 - 194
GEARBOX	195 - 211
GEARBOX	212 - 238
TRANSFER BOX	239 - 252
AXLES AND SUSPENSION	253 - 313
STEERING	314 - 332
VEHICLE AND ENGINE CONTROLS	333 - 343
BRAKES	344 - 374
FUEL SYSTEM AND AIR CLEANER	375 - 401
EXHAUST SYSTEM	402 - 409
COOLING/HEATING	410 - 456
BODY ELECTRICAL	457 - 574
BODY AND CHASSIS	575 - 681
INTERIOR TRIM	682 - 772
SEATS	773 - 843
SEATS	844 - 862
STOWAGE	863 - 865
ACCESSORIES - PAINTS	866 - 893
NUMERICAL INDEX	895 - 958

**GROUP J**
**FUEL SYSTEM AND AIR CLEANER**

<b>FUEL SYSTEM AND AIR CLEANER</b>	
PETROL - UPTO KA638156	376 - 377
PETROL - FROM KA638157	378
DIESEL - UPTO KA638350	379
DIESEL - FROM KA638351	380
FUEL FILLER UPTO JA624755	381
FUEL FILLER - FROM KA624756	382 - 383
FUEL PIPES - PETROL	384 - 385
INLINE FILTER & FUEL PIPE FIXINGS	386
FUEL PIPES - VM DIESEL	387
FUEL PIPES - TDI DIESEL	388 - 389
DIESEL SEDIMENTOR.	390
DIESEL FUEL FILTER.	391
AIR CLEANER - PETROL - UPTO LA647844	392
AIR CLEANER - PETROL - FROM MA647845	393
AIR CLEANER - VM DIESEL	394 - 395
AIR CLEANER - 200TDI	396
AIR CLEANER - 300TDI	397
CHARCOAL CANISTER UPTO JA624755	398
CHARCOAL CANISTER FROM KA624756	399
EVAPORATIVE LOSS SYSTEM UPTO JA624755	400
LIQUID VAPOUR SEPARATOR FROM KA624756	401



**Model** RANGE ROVER 1992 onwards  
**Page** BDJXAA1A

**FUEL TANK - PETROL - UPTO KA638156**

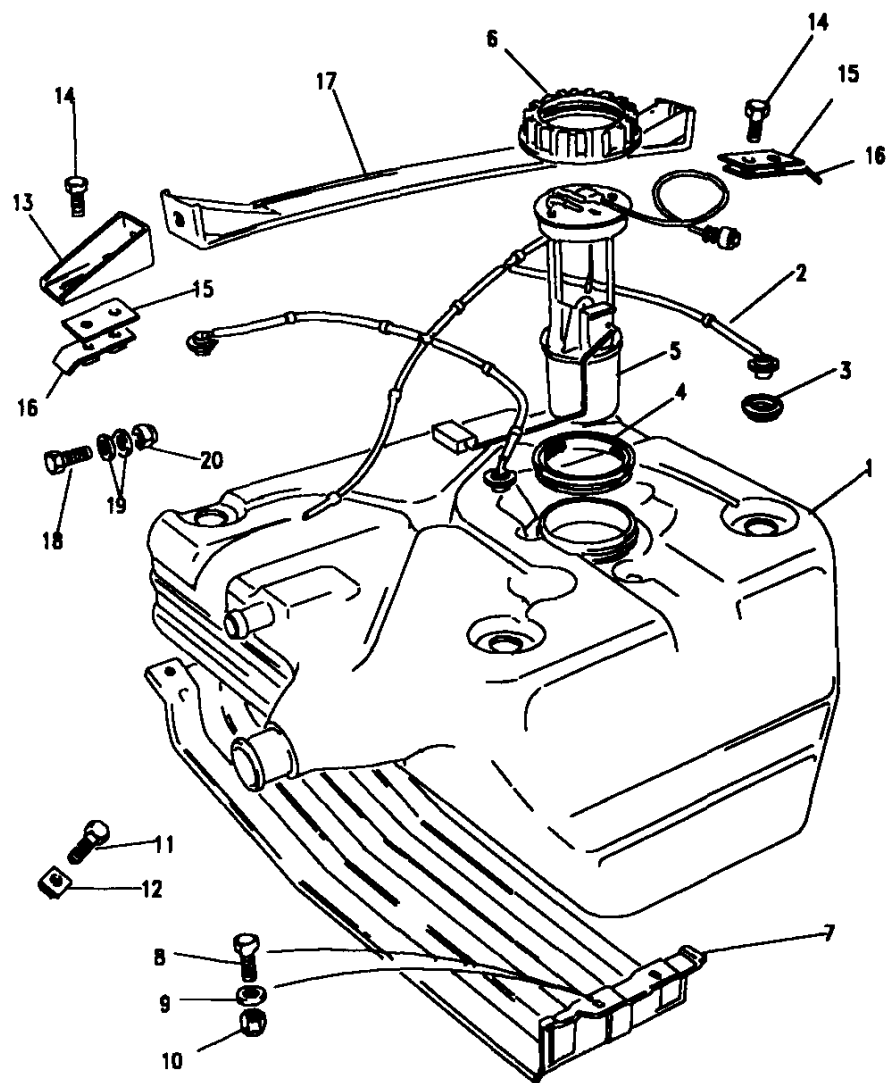
Ill. Part No.	Description	Qty	Remarks
<b>Brazil only.</b>			
1 ESR1054	Tank fuel	1	
<b>All territories except Brazil.</b>			
1 NTC6741	Tank fuel	1	
2 ESR578	Pipe assembly	1	
3 NTC5879	Grommet	4	
4 NTC5859	Ring sealing	1	
<b>Brazil only.</b>			
5 ESR1901	Fuel pump	1	
<b>All territories except Brazil.</b>			
5 PRC9409	Fuel pump	1	Note(1)
6 NTC5858	Lock ring	1	
7 NTC5787	Cradle fuel tank	1	
8 SH110201L	Screw	2	
9 WA110041L	Washer Plain	6	
10 NY110041L	Nut	2	
11 SH110201M	Screw	2	
12 NTC7267	Plate	2	

Note(1) Must order NRC9771(x2) & NRC9770(x2) when ordering fuel pump

**Model** RANGE ROVER 1992 onwards  
**Page** BDJXAA1A

**FUEL TANK - PETROL - UPTO KA638156**

III. Part No.	Description	Qty	Remarks
13	NTC6769	1	Bracket
14	SH108161L	2	Screw
15	NTC6771	2	Spacer
16	NTC6770	1	Plate
17	NTC7811	1	Strap
18	SH110201L	1	Screw
19	WA110061L	2	Washer plain
20	NY110041L	1	Nut

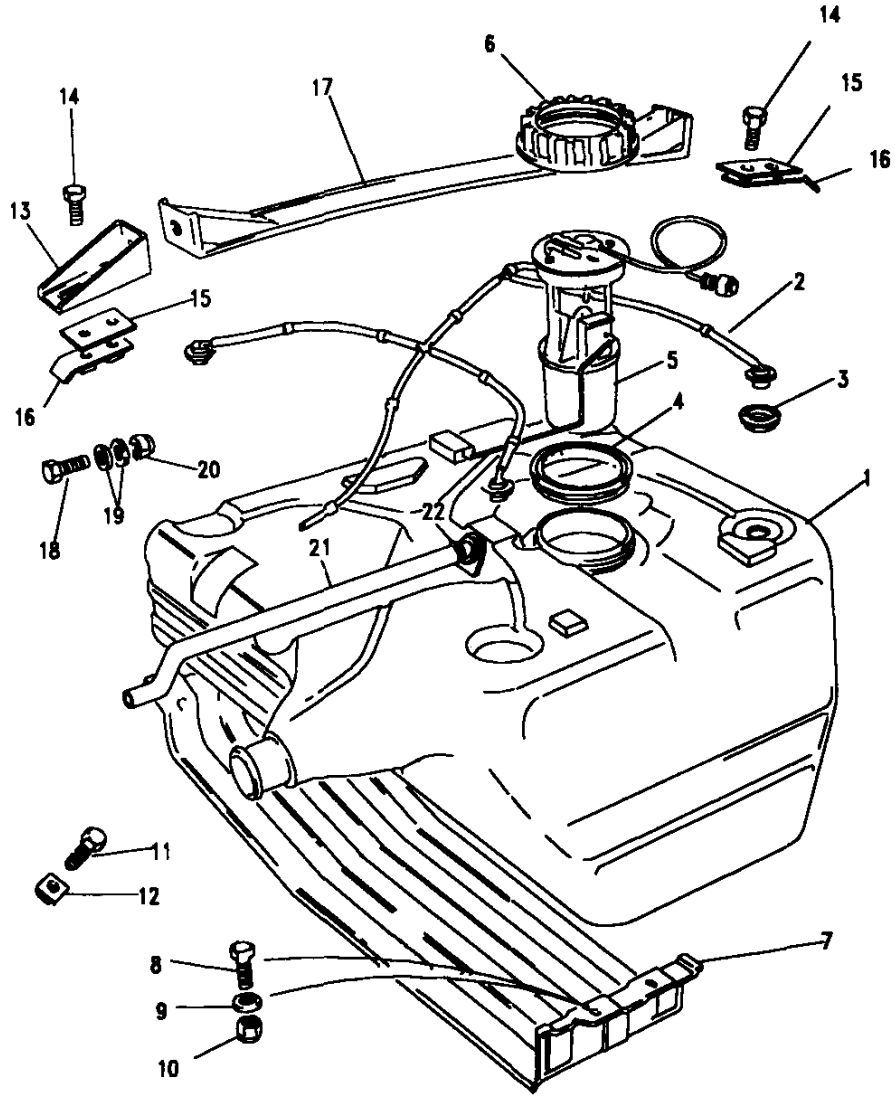


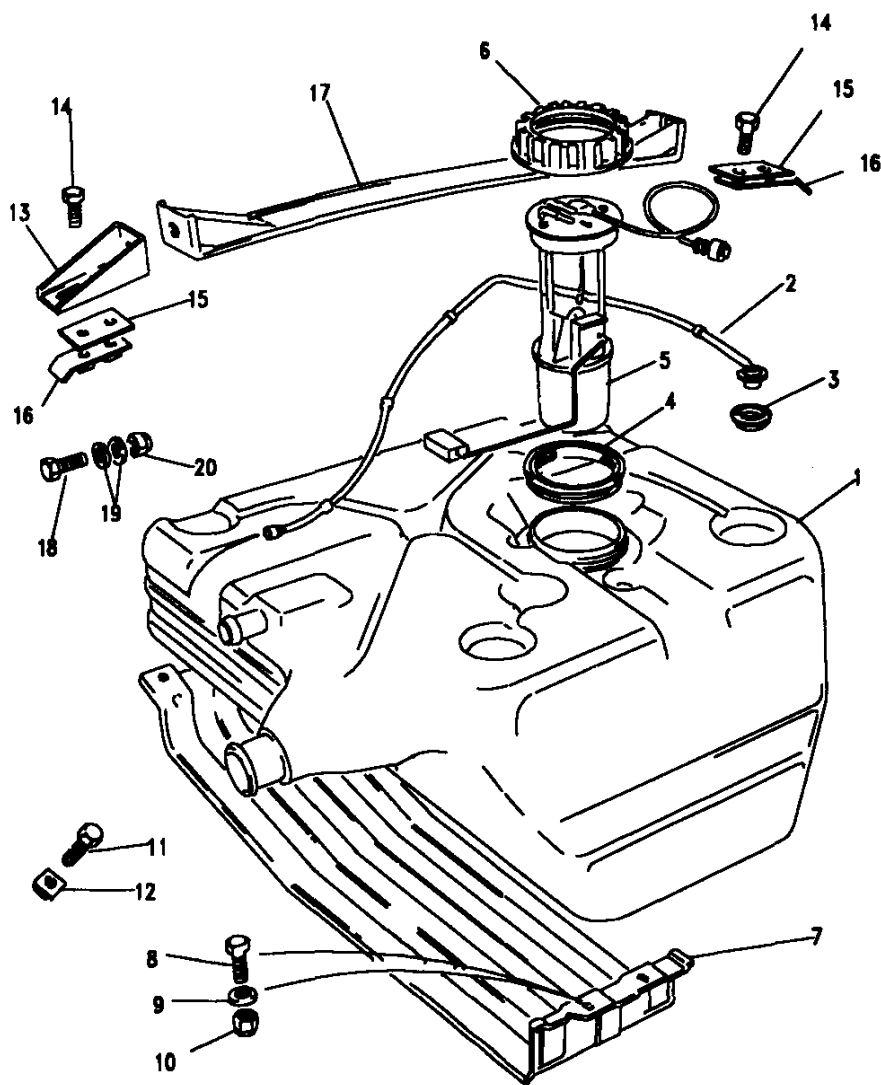
**Model** RANGE ROVER 1992 onwards  
**Page** BDJXAA1B

**FUEL TANK - PETROL - FROM KA638157**

Ill. Part No.	Description	Qty	Remarks
1	ESR2585	1	Tank fuel
2	ESR578	1	Pipe breather
3	NTC5879	4	Grommet
4	NTC5859	1	Ring sealing
5	PRC9668	1	Pump fuel / sender unit
	ESR1224	1	Pump fuel / sender unit
	ESR1901	1	Pump fuel / sender unit
6	NTC5858	1	Ring locking
7	NTC5787	1	Cradle fuel tank
8	SH110201L	2	Screw
9	WA110061L	6	Washer plain
10	NY110041L	2	Nut nyloc
11	SH110201M	2	Screw
12	NTC7267	2	Plate nut
13	NTC6769	1	Bracket
14	SH108161L	2	Screw
15	NTC6771	2	Spacer
16	NTC6770	1	Plate nut
17	NTC7611	1	Strap fuel tank
	ESR2327	1	Strap fuel tank
18	FS110301	1	Screw
19	WA110061L	2	Washer plain
20	NY110041L	1	Nut nyloc
21	ESR1056	1	Hose breather
22	CN100308L	1	Hose clip

Note(1) Up to KA642682  
 Note(2) From KA642683  
 Note(3) Must order NRC9771(x2) & NRC9770(x2) when ordering fuel pump





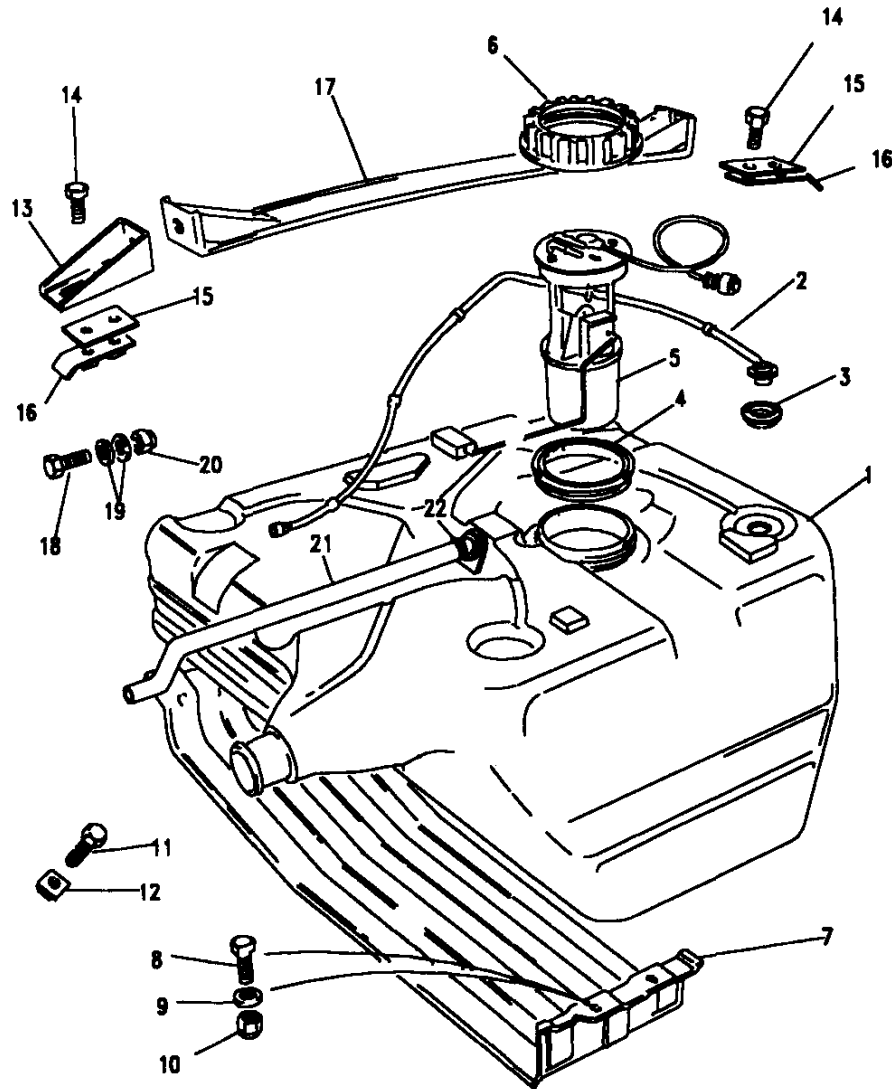
Model RANGE ROVER 1992 onwards

Page BDJXAA2A

FUEL TANK - DIESEL - UPTO KA638350

III. Part No.	Description	Qty	Remarks
1	ESR460 Tank fuel	1	
2	ESR461 Pipe assembly	1	
3	NTC5879 Grommet	4	
4	NTC5859 Ring sealing	1	
5	PRC7129 Fuel pump	1	Note(1)
6	NTC6872 Lock ring	1	
7	NTC5787 Cradle fuel tank	1	
8	SH110201L Screw	2	
9	WA110041L Washer Plain	6	
10	NY110041L Nut	2	
11	SH110201M Screw	2	
12	NTC7267 Plate	2	
13	NTC6769 Bracket	1	
14	SH108161L Screw	2	
15	NTC6771 Spacer	2	
16	NTC6770 Plate	1	
17	NTC7611 Strap	1	
18	SH110201L Screw	1	
19	WA110061L Washer plain	2	
20	NY110041L Nut	1	

Note(1) Must order NRC9771(x2) & NRC9770(x2) when ordering fuel pump



**Model** RANGE ROVER 1992 onwards  
**Page** BDXAA2B

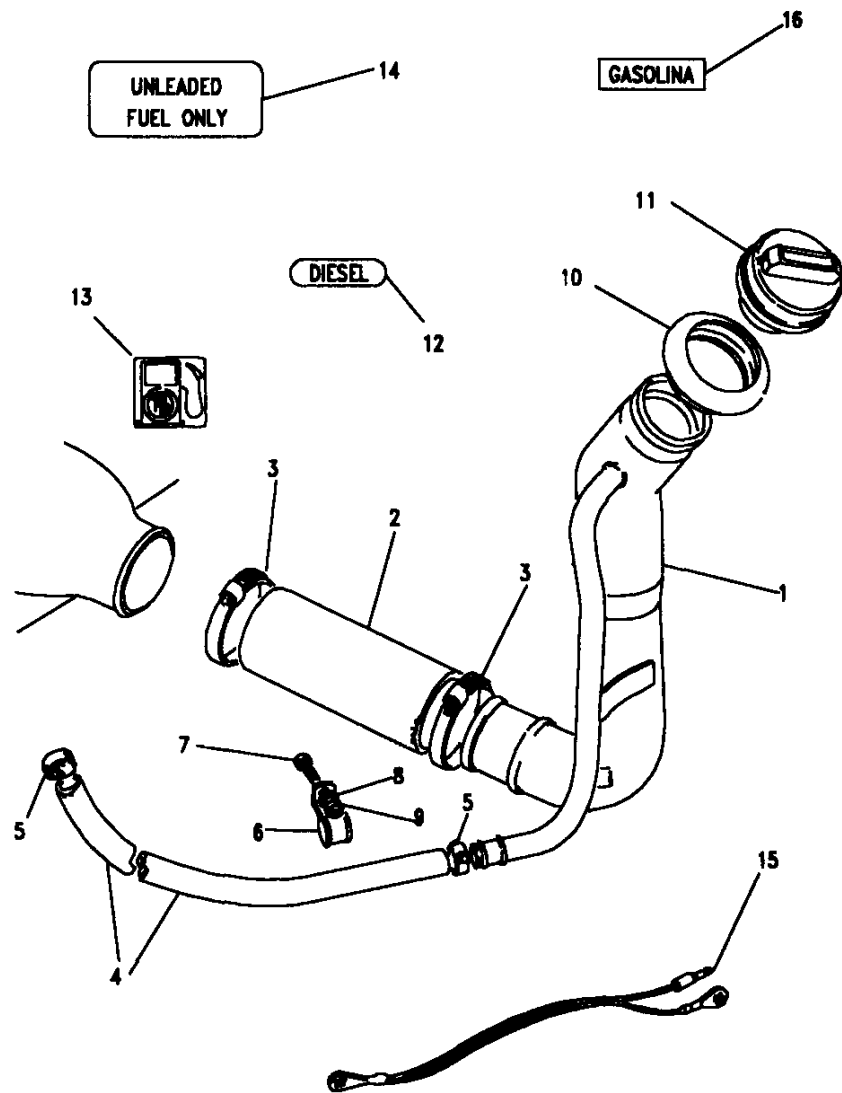
**FUEL TANK - DIESEL - FROM KA638351**

Ill. Part No.	Description	Qty	Remarks
1	ESR2584	1	Tank fuel
2	ESR461	1	Pipe breather
	ESR2643	1	Pipe breather
3	NTC5879	4	Grommet
4	NTC5859	1	Ring sealing
5	PRC7129	1	Pickup / sender unit
	ESR1223	1	Pickup / sender unit
6	NTC6872	1	Ring locking
7	NTC5787	1	Cradle fuel tank
8	SH110201L	2	Screw
9	WA110061L	6	Washer plain
10	NY110041L	2	Nut nyloc
11	SH110201M	2	Screw
12	NTC7267	2	Plate nut
13	NTC6769	1	Bracket
14	SH108161L	2	Screw
15	NTC6771	2	Spacer
16	NTC6770	1	Plate nut
17	NTC7611	1	Strap fuel tank
	ESR2327	1	Strap fuel tank
18	FS110301L	1	Screw
19	WA110061L	2	Washer plain
20	NY110041L	1	Nut nyloc
21	ESR1056	1	Hose breather
22	CN100308L	1	Hose clip
23	NTC4517	1	Valve fuel cut-off

Note(1) Upto KA642683  
 Note(2) From KA642684  
 Note(3) Must order NRC9771(x2) & NRC9770(x2) when ordering fuel pump

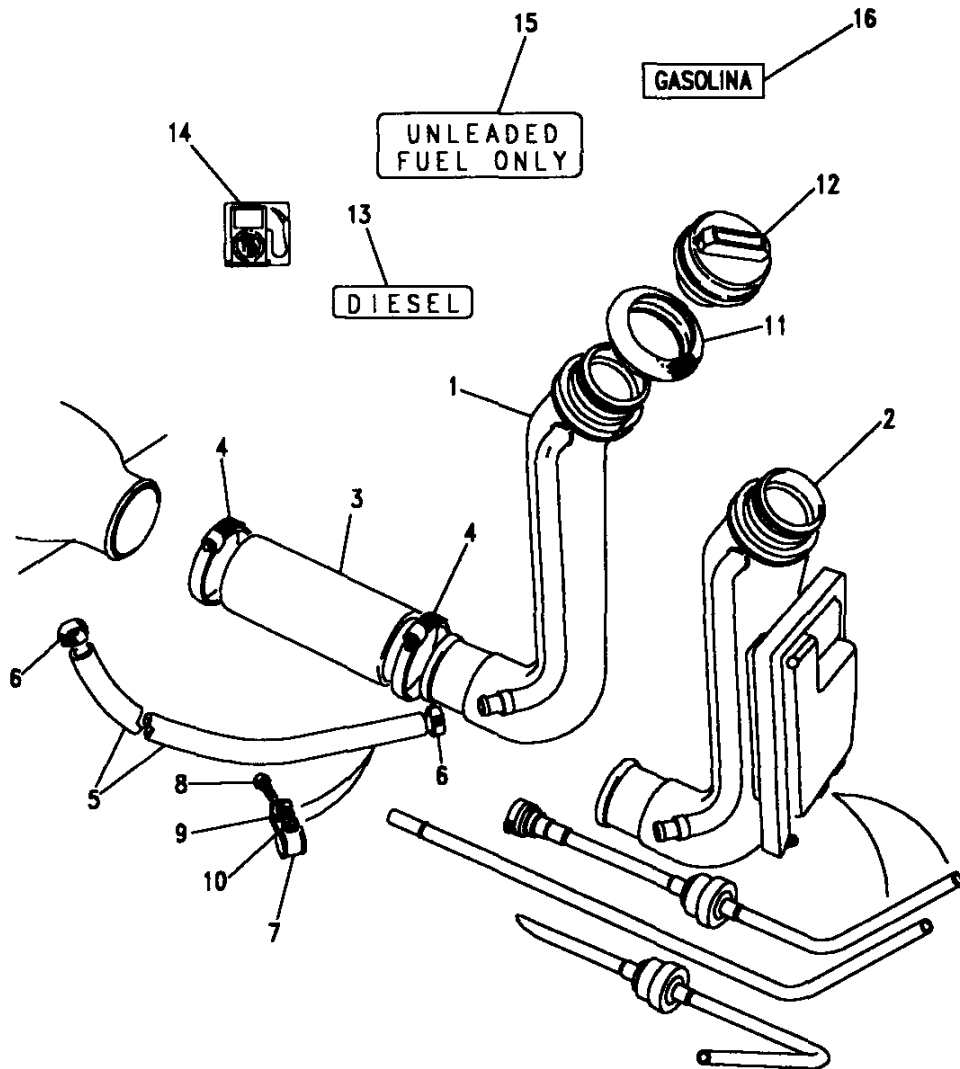
**Model** RANGE ROVER 1992 onwards  
**Page** BDXCA1A

**FUEL - FUEL FILLER UPTO JA624755**



III. Part No.	Description	Qty	Remarks
1	NTC7311	1	Leaded
	NTC7312	1	Unleaded
2	NTC5430	1	
3	CN100608L	2	
4	NTC5424	1	
5	CN100308L	2	
6	NTC8891	1	
7	FS106167L	1	
8	WA108041L	1	
9	NY106041L	1	
10	NTC5916	1	
11	NTC5418	1	
12	NTC7349	1	
13	NTC7503	1	
14	ESR387	1	
15	PRC7147	1	
16	BTR4691	1	Brazil only



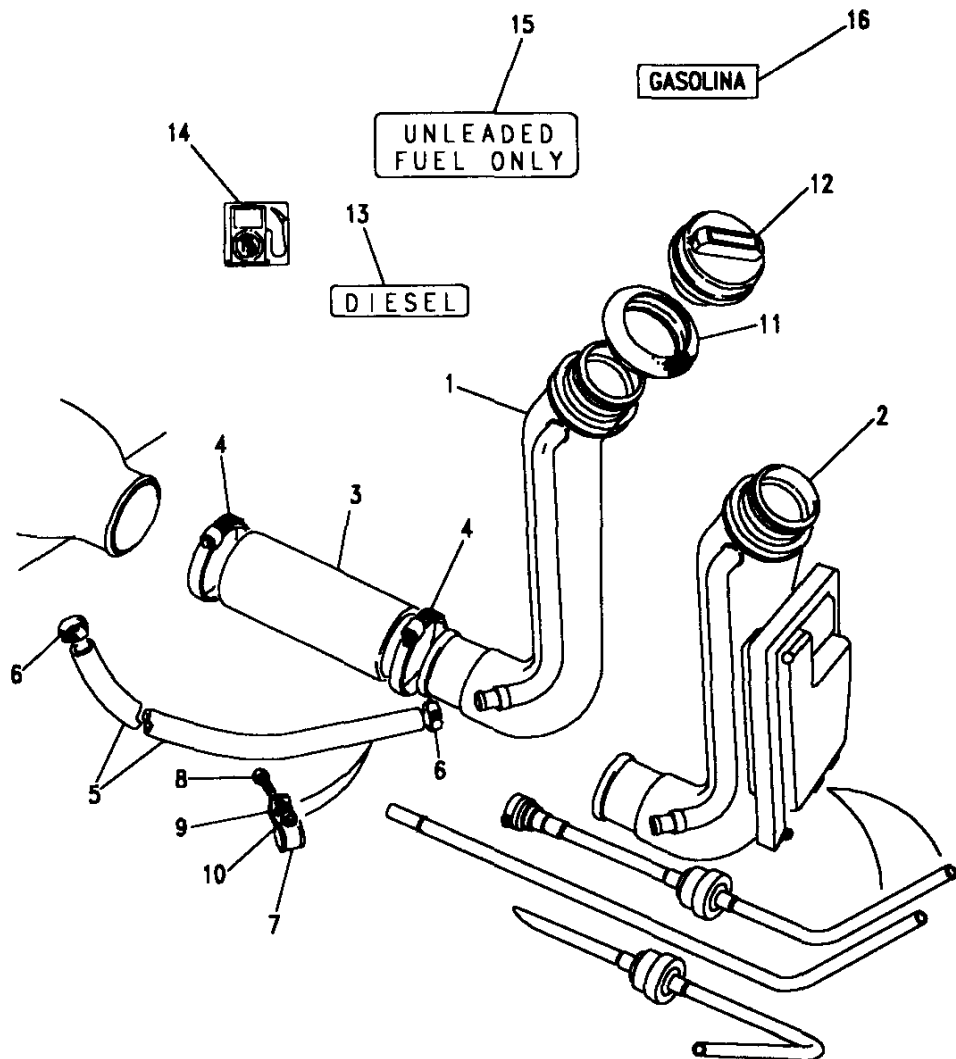


**Model** RANGE ROVER 1992 onwards  
**Page** BDXCA2A

**FUEL - FUEL FILLER - FROM KA624756**

Ill. Part No.	Description	Qty	Remarks
<b>Leaded fuel only - without vapour separator.</b>			
1 ESR1895	Pipe fuel filler	1	
<b>Unleaded fuel only - without vapour separator.</b>			
1 ESR1896	Pipe fuel filler	1	
<b>Leaded fuel only - with vapour separator.</b>			
2 ESR1899	Pipe fuel filler	1	
<b>Unleaded fuel only - with vapour separator.</b>			
2 ESR1897	Pipe fuel filler	1	
<b>All variants</b>			
3 NTC5430	Hose fuel filler	1	Note(1)
3 ESR2834	Hose fuel filler	1	Note(2)
4 STC128	Clip hose	2	
5 ESR1056	Hose breather	1	
6 CN100308L	Clip hose	2	
7 NTC6891	Clip	1	
8 FS106167L	Screw	1	
9 WA106041L	Washer plain	1	
10 NY106041L	Nut	1	
11 NTC5916	Grommet	1	

Note(1) Up to KA646069  
 Note(2) From KA646070  
 Note(3) For pipe from vapour separator see page 399



**Model** RANGE ROVER 1992 onwards  
**Page** BDJXCA2A

**FUEL - FUEL FILLER - FROM KA624756**

III. Part No.	Description	Qty	Remarks
12 NTC5418	Cap fuel filler	1	
13 NTC7349	Label diesel fuel	1	
14 NTC7503	Label unleaded fuel	1	
15 ESR387	Label unleaded fuel	1	
16 BTR4691	Label 'Gasolina'	1	Brazil only

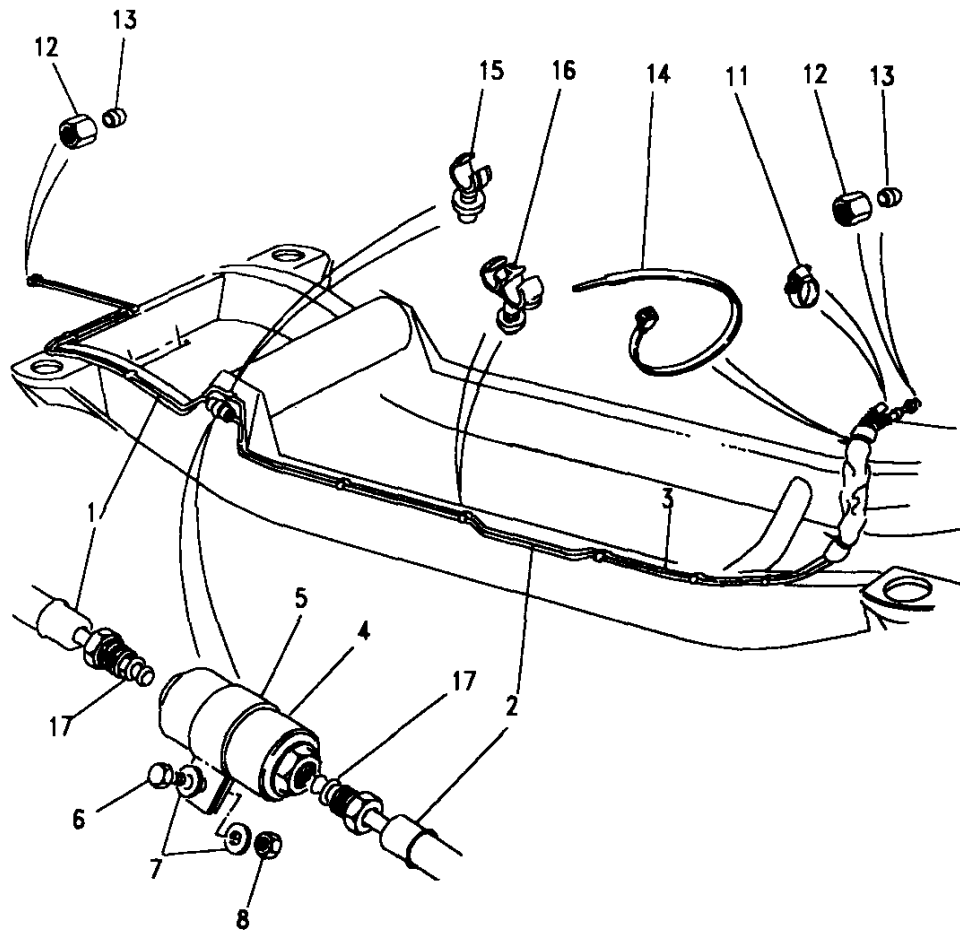
**Model** RANGE ROVER 1992 onwards

**Page** BDJXE1A

**FUEL - FUEL PIPES - PETROL**

III. Part No.	Description	Qty	Remarks
<b>V8. Petrol variants.</b>			
1 ESR500	Pipe fuel tank/filter	1	Upto LA081990
ESR2364	Pipe fuel tank/filter	1	From LA081991
<b>Brazil only</b>			
ESR1821	Pipe fuel tank/filter	1	
<b>V8. 100" Wheelbases.</b>			
2 ESR501	Pipe fuel filter/engine	1	Note (1)
ESR2638	Pipe fuel filter/engine	1	Upto MA091471
ESR3250	Pipe fuel filter/engine	1	From MA091472
<b>V8. 108" Wheelbases.</b>			
ESR1217	Pipe fuel filter/engine	1	Note(2)
ESR2639	Pipe fuel filter/engine	1	Upto MA091471
ESR3251	Pipe fuel filter/engine	1	From MA091472
<b>Brazil only</b>			
ESR1796	Pipe fuel filter/engine	1	

Note(1) Upto LA081990  
 Note(2) From KA624758 Upto MA647644

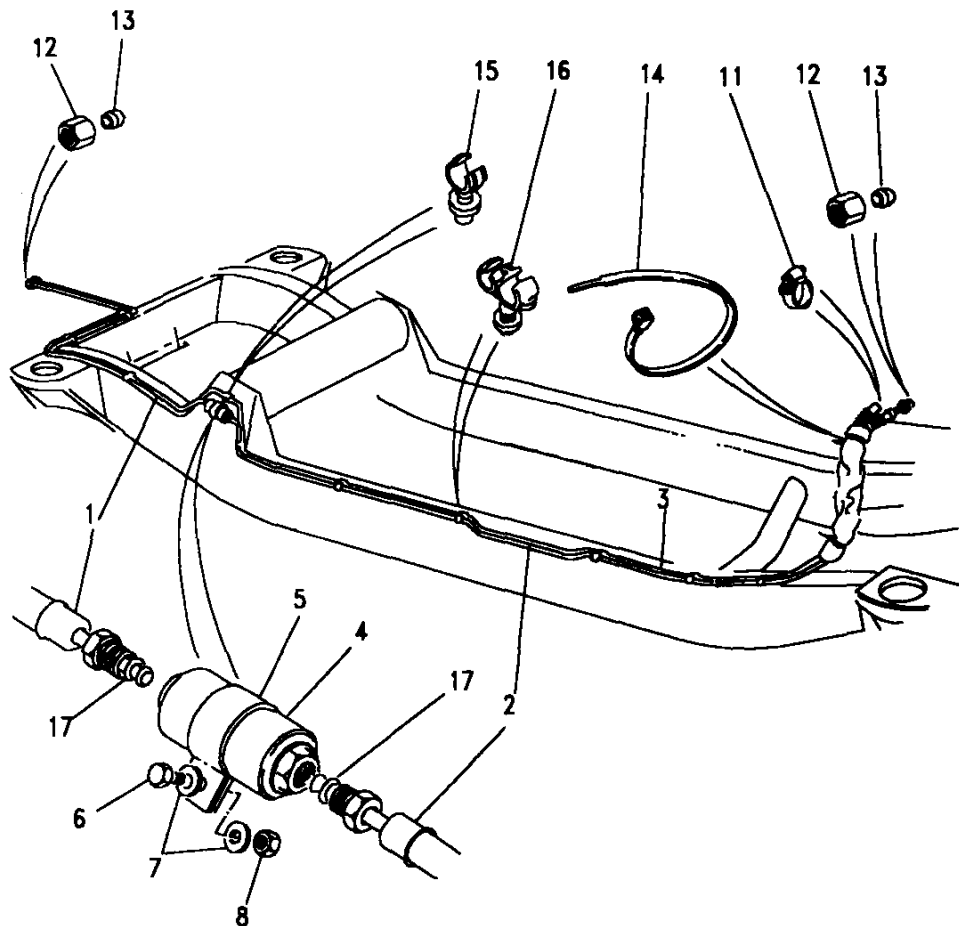


**Model** RANGE ROVER 1992 onwards  
**Page** BDJXE1A

**FUEL - FUEL PIPES - PETROL**

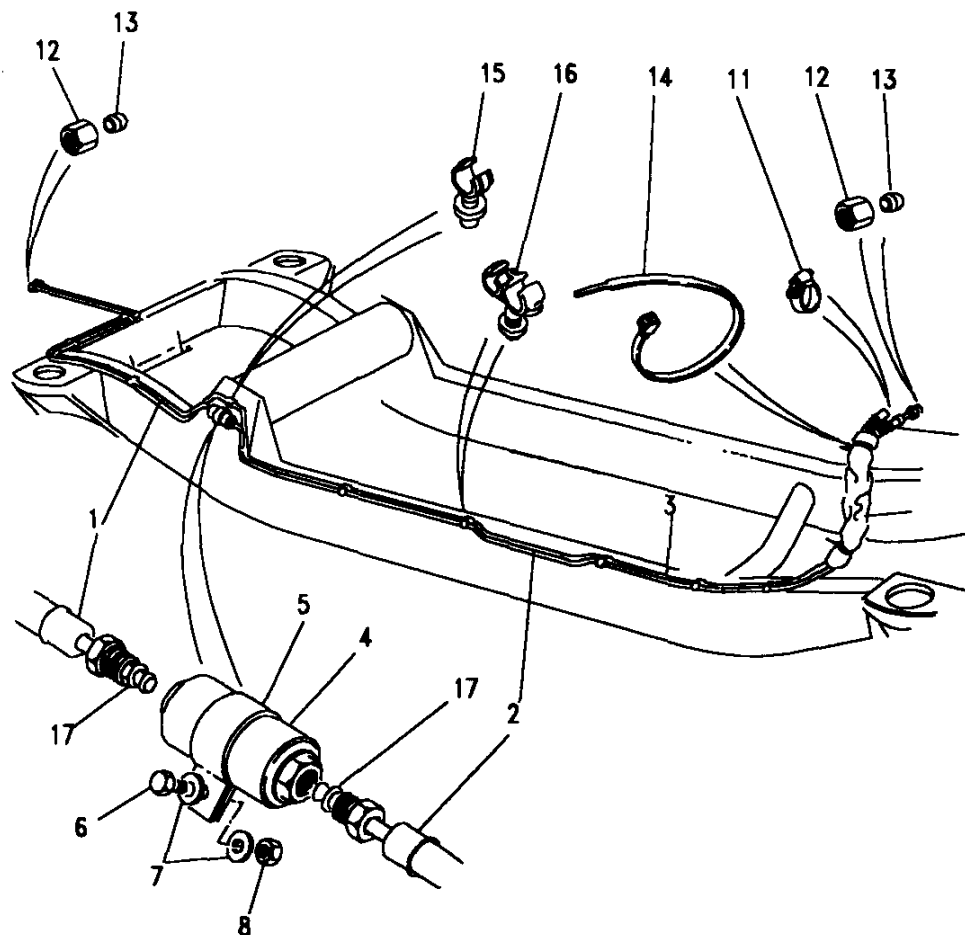
III. Part No.	Description	Qty	Remarks
<b>V8. 100" Wheelbases.</b>			
3 ESR502	Pipe fuel spill return	1	Note (1)
ESR2188	Pipe fuel spill return	1	Note (2)
ESR2637	Pipe fuel spill return	1	Note (3)
ESR3267	Pipe fuel spill return	1	Note (4)
<b>V8. 108" Wheelbases.</b>			
ESR2189	Pipe fuel spill return	1	Upto MA091471
ESR3268	Pipe fuel spill return	1	From MA091472
<b>Brazil only</b>			
ESR1797	Pipe fuel spill return	1	

Note(1) Upto JA624755  
 Note(2) From KA624756 Upto LA081990  
 Note(3) From LA081991 Upto MA091471  
 Note(4) From MA091472

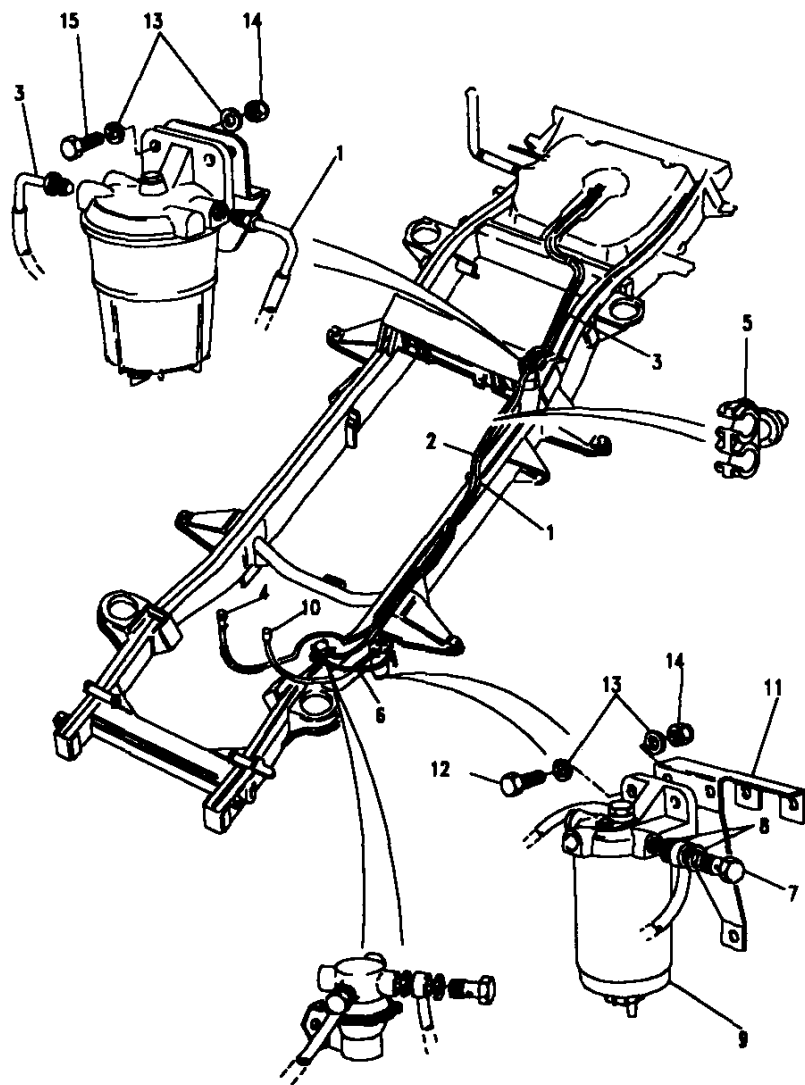


**Model** RANGE ROVER 1992 onwards  
**Page** BDJXE1A

**FUEL - INLINE FILTER & FUEL PIPE FIXINGS**



III. Part No.	Description	Qty	Remarks
4	ESR3117 Filter fuel	1	
5	NTC6937 Bracket fuel filter	1	
6	FS108201L Screw	1	
7	WA108051L Washer plain	2	
8	NY108041L Nut	1	
9	MUC8849 Sleeve	1	
10	NTC4859 Conduit	2	
11	C435997L Clip hose	2	
12	NRC9770 Nut	4	
13	NRC9771 Olive	4	
14	568680 Cleat	2	
15	79122 Clip pipe	A/R	
16	ESR1600 Clip pipe	9	6 - 8mm
	ESR1373 Clip pipe	9	8 - 10mm
17	ESR259 O Ring - fuel feed pipes	A/R	



**Model** RANGE ROVER 1992 onwards

**Page** BDJXEC1A

**FUEL - FUEL PIPES - VM DIESEL**

III. Part No.	Description	Qty	Remarks
1	ESR451	1	Pipe fuel
2	ESR452	1	Pipe fuel
3	STC268	1	Pipe fuel
5	ESR1600	10	Clip 6 - 8mm
	ESR1373	10	Clip 8 - 10mm
6	NTC1521	1	Pipe fuel
7	NTC3346	2	Bolt
8	ESR354	4	Washer
9	NTC1518	1	Filter
10	ESR1327	1	Pipe fuel
11	NTC2873	1	Bracket mounting
12	FS110301L	2	Screw
13	WA110061L	8	Washer
14	NY110041L	4	Nut
15	SH110351L	2	Screw

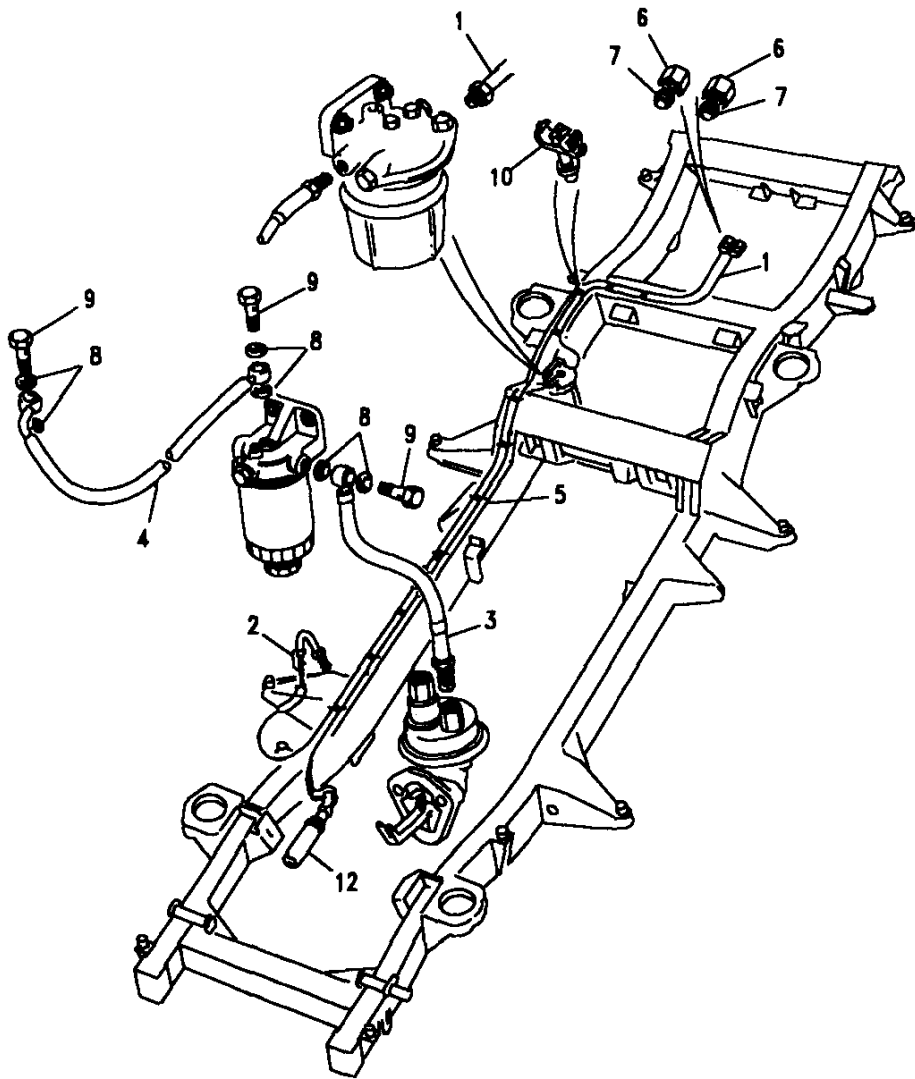
Note(1) For breakdown of fuel filter see page 391

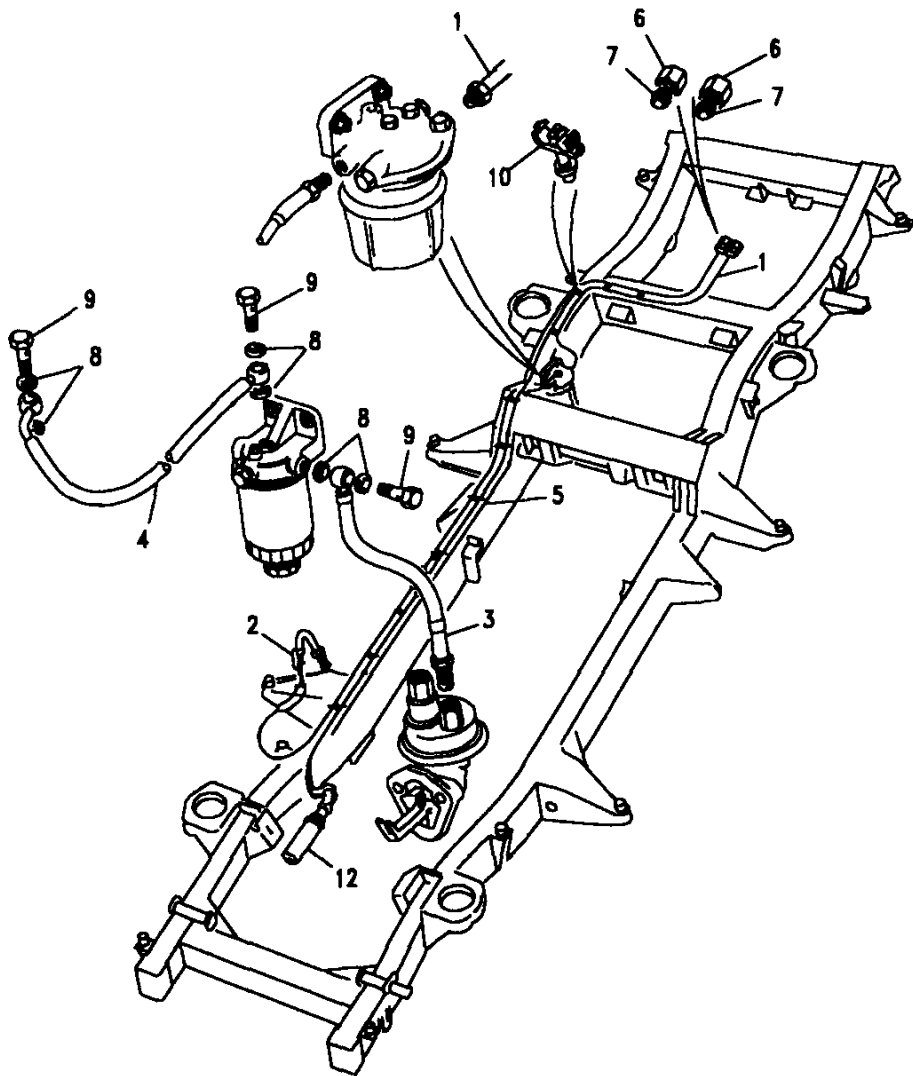
Model RANGE ROVER 1992 onwards

Page BDJXEC2A

FUEL - FUEL PIPES - TDI DIESEL

III. Part No.	Description	Qty	Remarks
<b>200TDI</b> 1 NTC7335	Pipe fuel tank/sedi	1	
<b>300TDI</b> ESR2825	Pipe fuel tank/sedi	1	
<b>200TDI</b> 2 ESR163	Pipe fuel feed	1	
<b>300TDI</b> ESR2994	Pipe fuel feed	1	
<b>200TDI</b> 3 ESR267	Pipe fuel pump/filter	1	
<b>300TDI</b> ESR2991	Pipe fuel pump/filter	1	
<b>200TDI</b> 4 ESR1326	Pipe fuel filter/fie pump	1	
<b>300TDI</b> ESR2992	Pipe fuel filter/fie pump	1	
<b>200TDI</b> 5 NTC2674 ESR2260	Pipe fuel spill return	1	Upto KA632894
	Pipe fuel spill return	1	From KA632895
<b>300TDI</b> ESR2995	Pipe fuel spill return	1	





**Model** RANGE ROVER 1992 onwards  
**Page** BDJXEC2A

**FUEL - FUEL PIPES - TDI DIESEL**

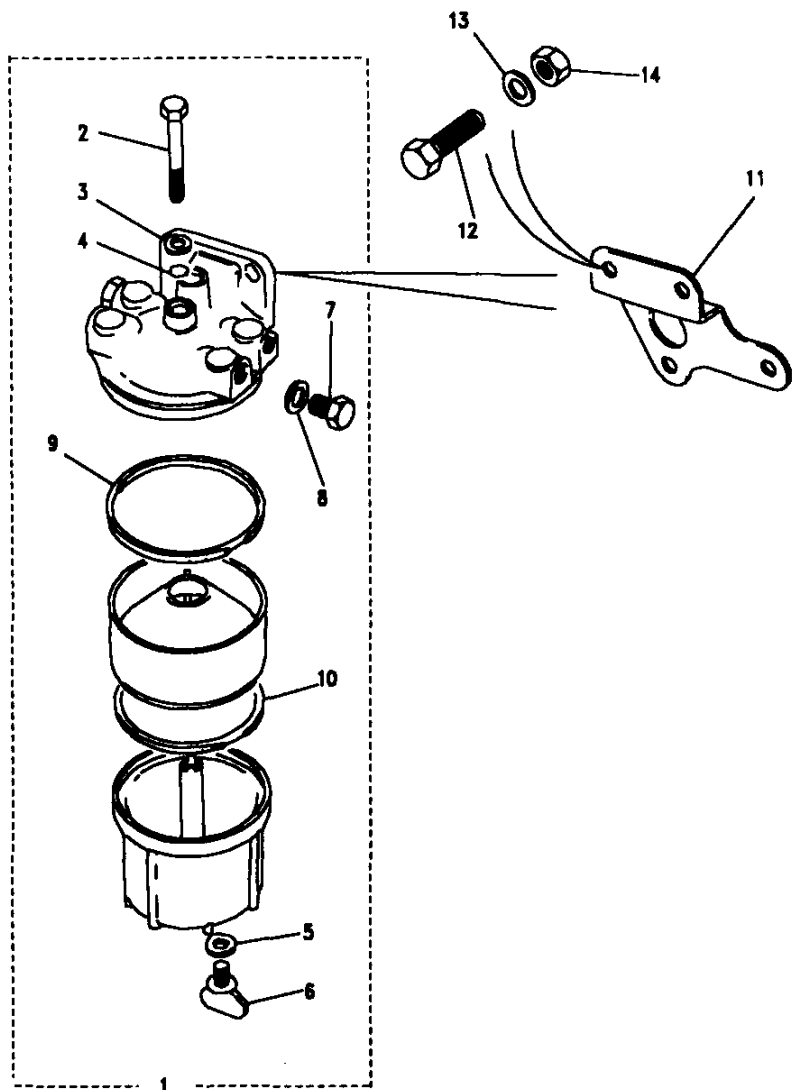
Ill. Part No.	Description	Qty	Remarks
<b>200 &amp; 300 TDI fuel pipe fixings</b>			
6	NRC9770	1	Nut
7	NRC9771	1	Olive
8	ESR354	4	Washer
9	NTC3346	2	Bolt
10	ESR1373	10	Clip



**Model** RANGE ROVER 1992 onwards  
**Page** BDJXGC1A

**FUEL - DIESEL SEDIMENTOR.**

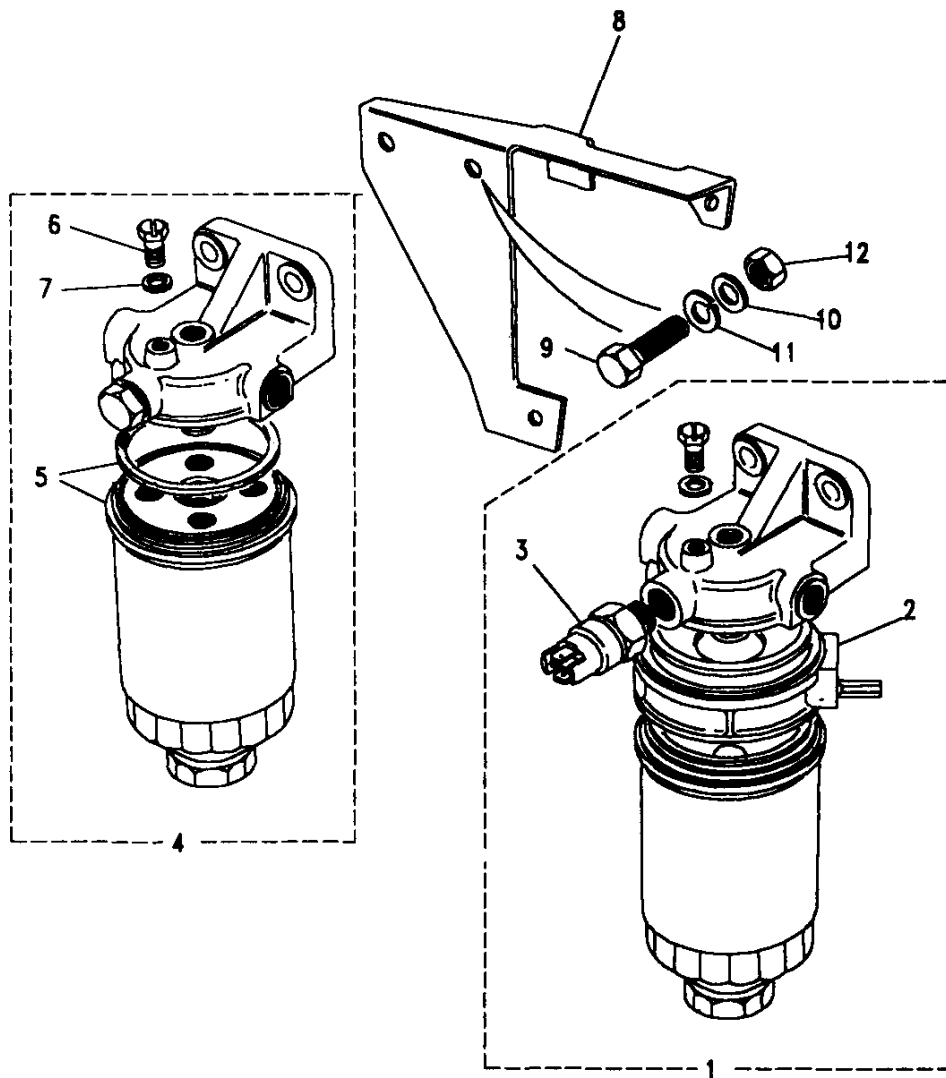
III. Part No.	Description	Qty	Remarks
1	NRC9708 Sedimentor	1	
2	37H8119L Bolt	1	
3	ABU1361 Washer	1	
4	37H770L Washer	1	
5	605011 Washer	1	
6	37H7920 Plug	1	
7	517689 Plug	2	
8	517706 Washer	2	
9	AAU9903 Sealing ring	1	
10	AAU9902 Sealing ring	1	
<b>VM Diesel only</b>			
11	NRC8381 Bracket mounting	1	
<b>200TDI only</b>			
11	NTC7646 Bracket mounting	1	
<b>All variants</b>			
12	SH110351L Screw	2	
13	WA110061L Washer plain	2	
14	NY110041I Nut	2	



**Model** RANGE ROVER 1992 onwards  
**Page** BDJXGC2A

**FUEL - DIESEL FUEL FILTER.**

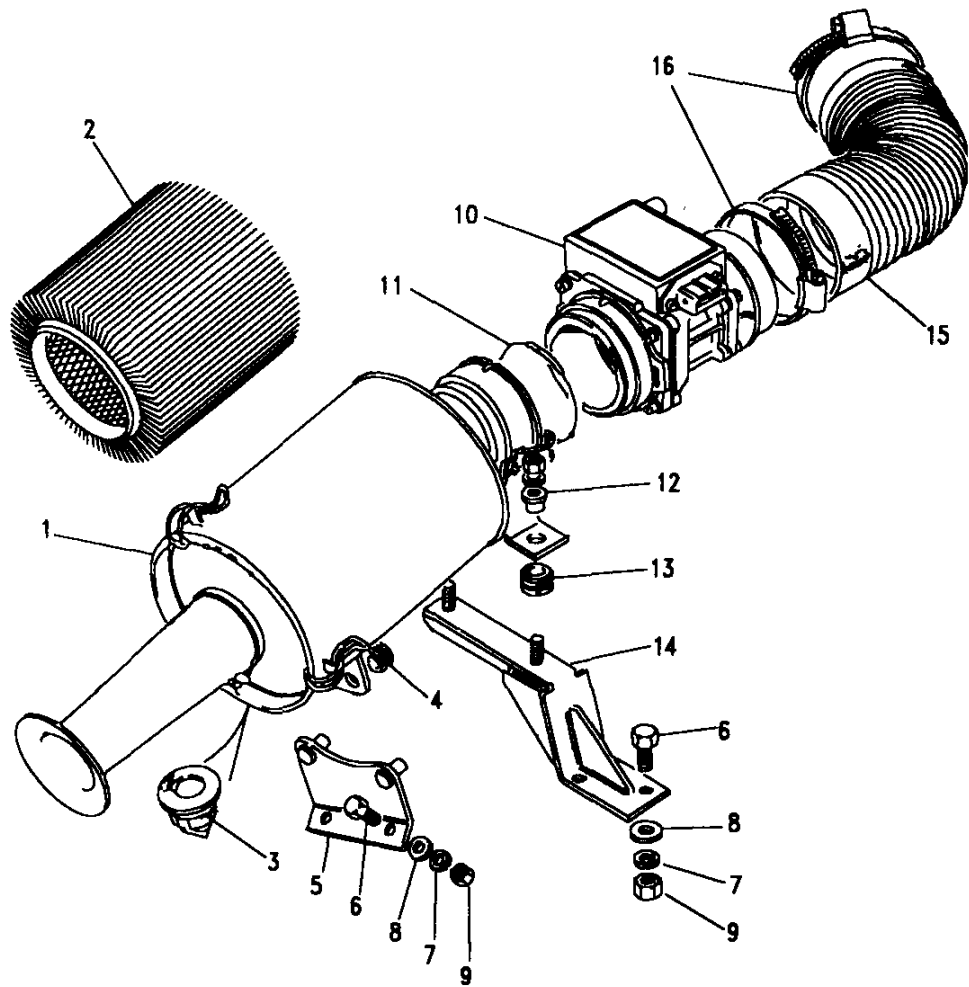
III. Part No.	Description	Qty	Remarks
<b>Heated</b>			
1	RTC4939	1	Filter fuel
2	RTC5938	1	Element & Seal
3	STC612	1	Switch heater
<b>Non heated</b>			
4	NTC1518	1	Filter fuel
5	AEU2147L	1	Element & seal
6	AEU2148L	1	Air Bleed
7	AEU2149L	1	Washer sealing
<b>Bracketry</b>			
8	NTC2873	1	Bracket mounting
9	SH110251L	2	Screw
10	WA110051L	2	Washer plain
11	WL110001L	2	Washer spring
12	FN110041L	2	Nut flanged



Model RANGE ROVER 1992 onwards

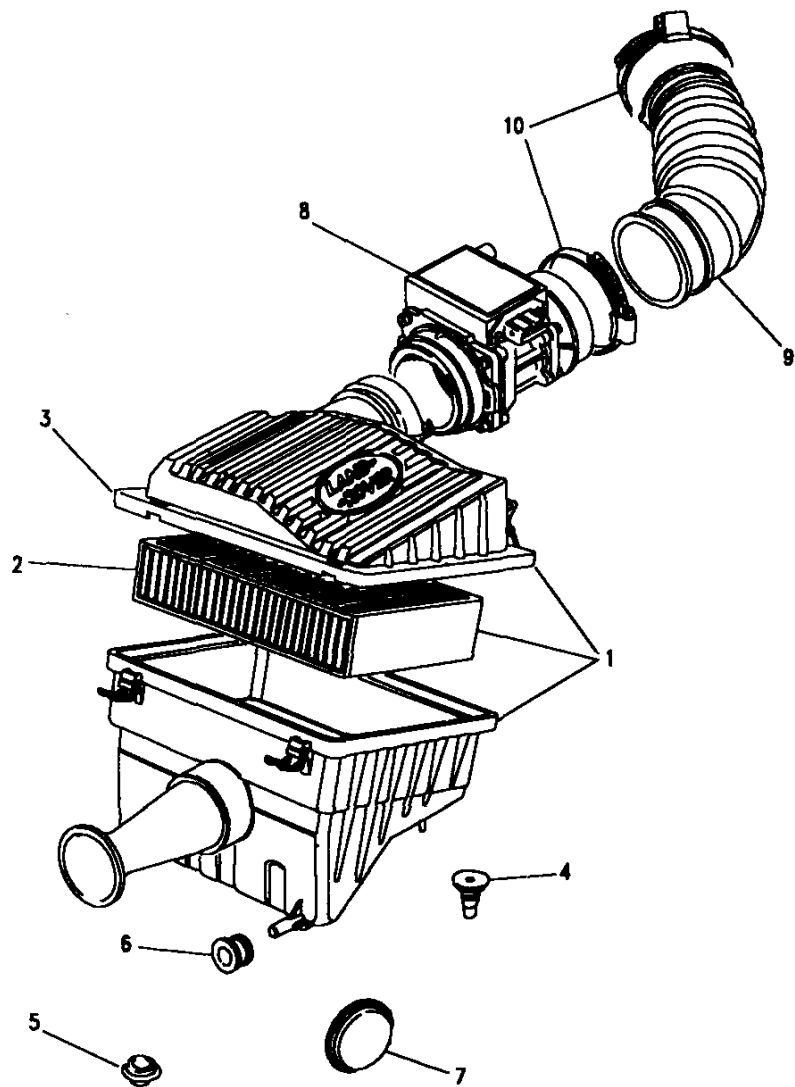
Page BDJXPA1A

FUEL - AIR CLEANER - PETROL - UPTO LA647644



III. Part No.	Description	Qty	Remarks
1	NTC4408 Air cleaner assembly	1	
2	RTC4683 Element air cleaner	1	
3	NTC3751 Valve	1	
4	RTC4819 Grommet	2	
5	NTC4401 Bracket mounting	1	
6	SH108161L Screw	5	
7	WL108001L Washer spring	5	
8	WC108051L Washer plain	2	
9	NH108041L Nut	5	
10	NTC2340 Meter air flow	1	Note(1&5)
	ESR1057L Meter air flow	1	Note(2)
11	NTC3354 O Ring	1	
12	ERC5829 Bush	3	
13	ERC5830 Grommet	3	
14	NTC3885 Bracket mounting	1	
15	NTC3338 Hose	1	Note(3)
	ESR1611L Hose	1	Note(4)
16	CN100908L Clip hose	2	
	RTC5770 Plug tamper proof	1	Red

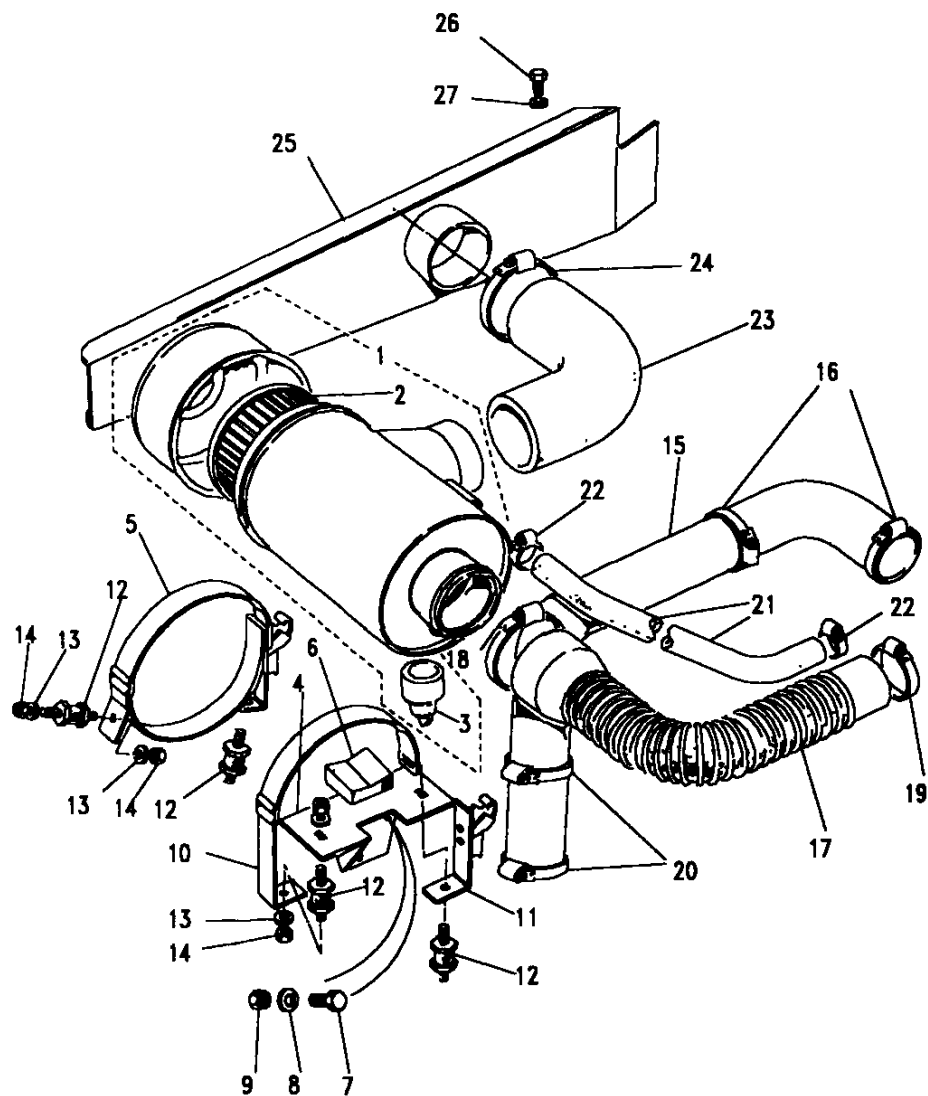
Note(1) Upto JA624755  
 Note(2) From KA624756  
 Note(3) Upto JA617906  
 Note(4) From JA617907  
 Note(5) NLA - use ESR1057.



**Model** RANGE ROVER 1992 onwards  
**Page** BDJXPA2A

**FUEL - AIR CLEANER - PETROL - FROM MA647645**

III. Part No.	Description	Qty	Remarks
1 ESR1804	Air cleaner assembly	1	
2 ESR1445	Filter element	1	
3 ESR3248	Lid air cleaner	1	
4 ESR1803	Grommet mounting	2	
5 ESR2067	Grommet front location	2	
6 NTC8960	Grommet front rubber	2	
7 ESR2406	Plug blanking - wing	2	
8 ESR1057L	Air flow meter	1	
9 ESR1807	Hose air cleaner/plenum	1	
10 CN100908	Clip hose	2	

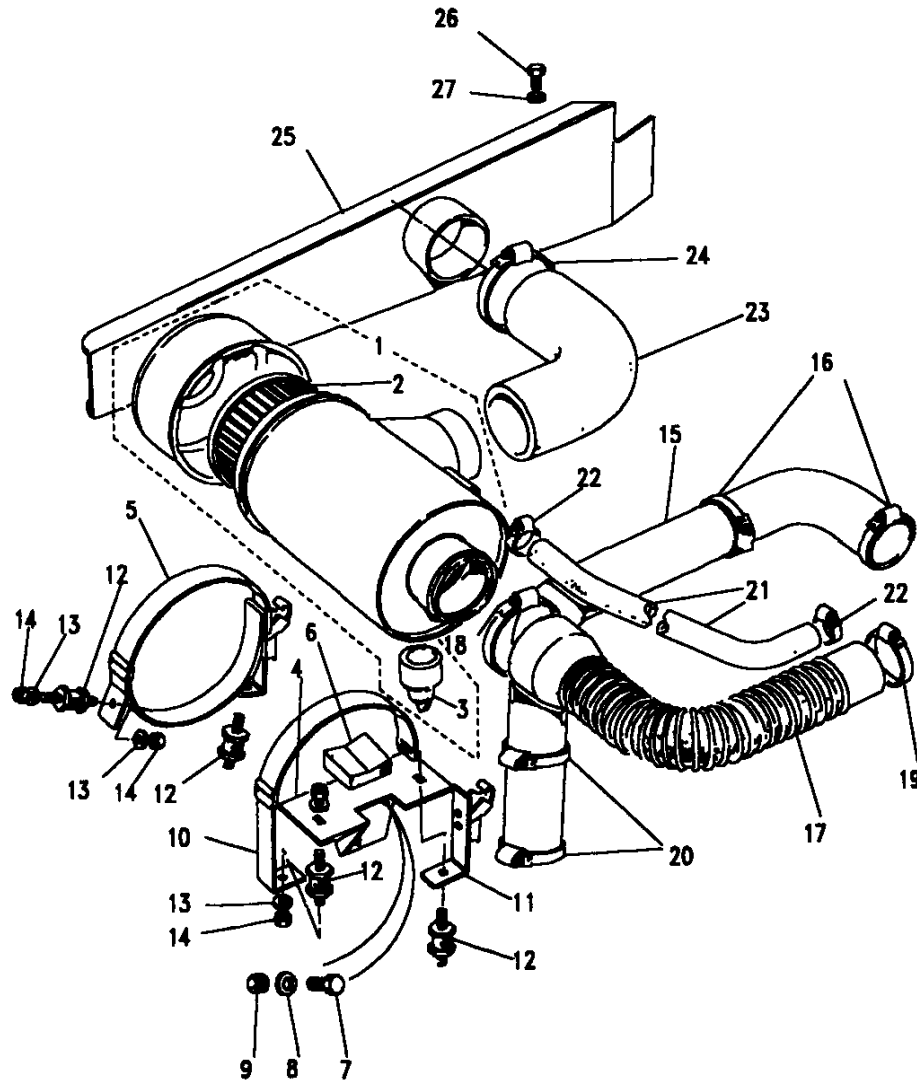


**Model** RANGE ROVER 1992 onwards  
**Page** BDJXPC1A

**FUEL - AIR CLEANER - VM DIESEL**

III. Part No.	Description	Qty	Remarks
1	NTC1426 Air cleaner	1	
2	NTC1435 Element air cleaner	1	
3	NRC8955 Valve	1	
4	ESR1026 Bracket mounting	1	
5	NTC3016 Clamp	1	
6	NTC3048 Mounting block	1	
7	SH106161 Screw	2	
8	WA106041L Washer plain	2	
9	NH106041L Nut	2	
10	NTC3040 Mounting bracket	1	
11	NTC3042 Mounting bracket	1	
12	NRC9773 Bush flexible	4	Note(1)
	ESR1579 Bush flexible	4	Note(2)
13	WA106041L Washer plain	8	
14	NH106041L Nut	8	
15	NTC5172 Hose assembly	1	
16	CN100608L Clip hose	2	
17	ESR1612 Hose	1	

Note(1) Upto JA618000.  
 Note(2) From JA618001.



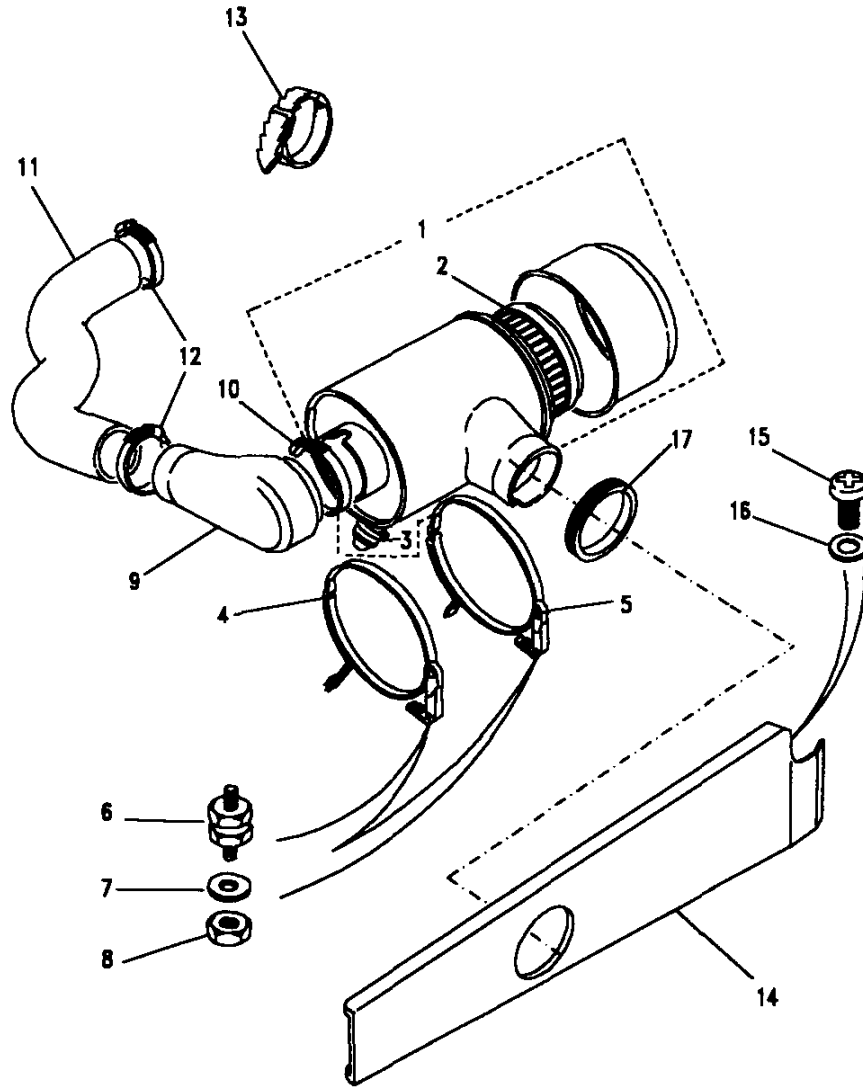
**Model** RANGE ROVER 1992 onwards  
**Page** BDXPC1A

**FUEL - AIR CLEANER - VM DIESEL**

III. Part No.	Description	Qty	Remarks
18	CN100908L	2	Clip hose
19	CN100508	1	Clip hose
20	CN100608L	2	Clip hose
21	NTC2836	1	Breather
22	CN100258L	2	Clip hose
23	NTC7375	1	Hose
24	CN101108L	1	Clip hose
25	ESR1226	1	Plate baffle
26	AB612051L	3	Screw
27	WC106047	3	Washer

**Model** RANGE ROVER 1992 onwards  
**Page** BDXPC2A

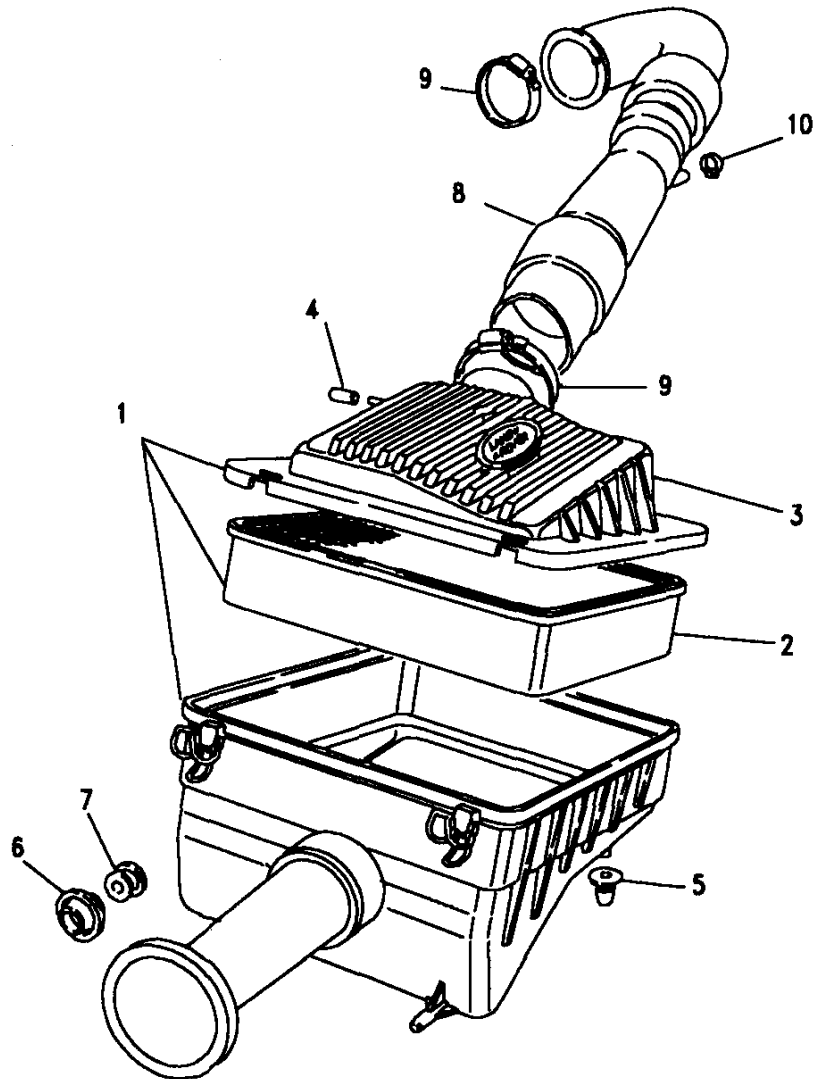
**FUEL - AIR CLEANER - 200TDI**



III. Part No.	Description	Qty	Remarks
1 ESR1860	Air cleaner	1	
NRC9239	Nut wing	1	
2 ESR1049	Element air cleaner	1	
3 NTC5657	Dust valve	1	
4 ESR1862	Cradle	1	Front
5 ESR1863	Cradle	1	Rear
6 ESR1579	Mounting rubber	4	
7 WA106041L	Washer	4	
8 NH106041L	Nut	4	
9 NTC5803	Elbow	1	
10 CN100908L	Hose clip	1	
11 ESR1857	Hose	1	
12 CN100258L	Hose clip	2	
13 13H9727L	Cable tie	1	
14 ESR1859	Baffle plate	1	
15 AR612051	Screw	3	
16 WC106047	Washer plain	3	
17 ESR2012	Grommet	1	
18 NRC9239	Wing nut and gasket	1	

**Model** RANGE ROVER 1992 onwards  
**Page** BDJXPC3A

**FUEL - AIR CLEANER - 300TDI**

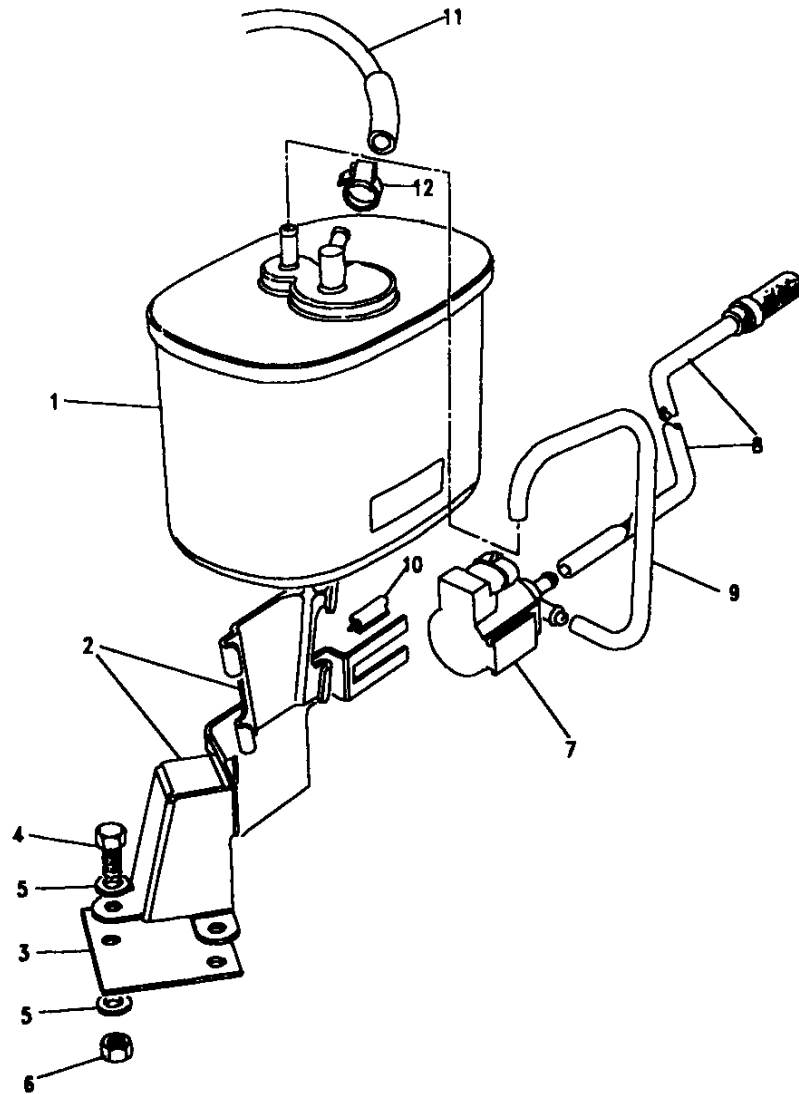


III. Part No.	Description	Qty	Remarks
1	ESR3150	1	Air cleaner assembly
2	ESR1445	1	Filter element
3	ESR3247	1	Lid air cleaner
4	ESR2965	1	Cap vacuum inlet
5	ESR1803	2	Grommet mounting
6	ESR2067	2	Grommet front location
7	NTC8960	2	Grommet front rubber
8	ESR2150	1	Hose air cleaner/turbo
9	CN100808	2	Clip hose
10	CN100258L	2	Clip hose

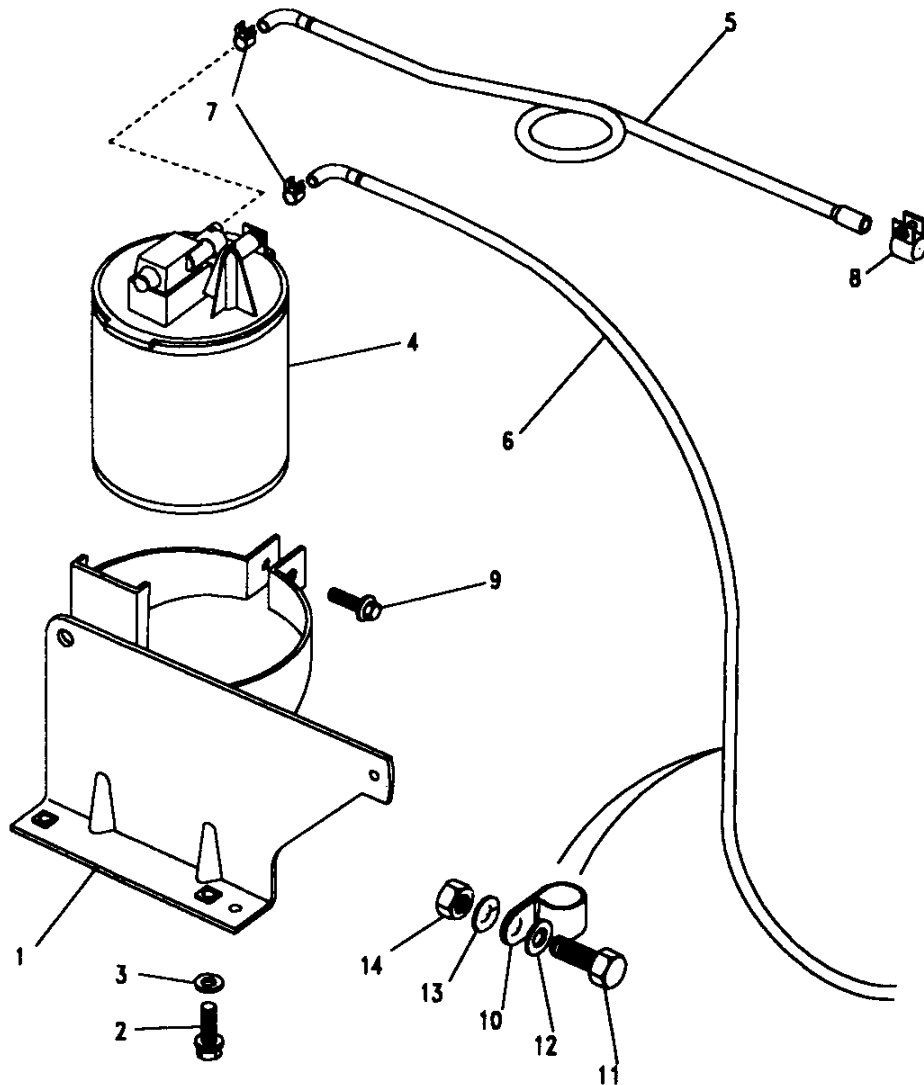


**Model** RANGE ROVER 1992 onwards  
**Page** BDJXTA1A

**FUEL - CHARCOAL CANISTER UPTO JA624755**



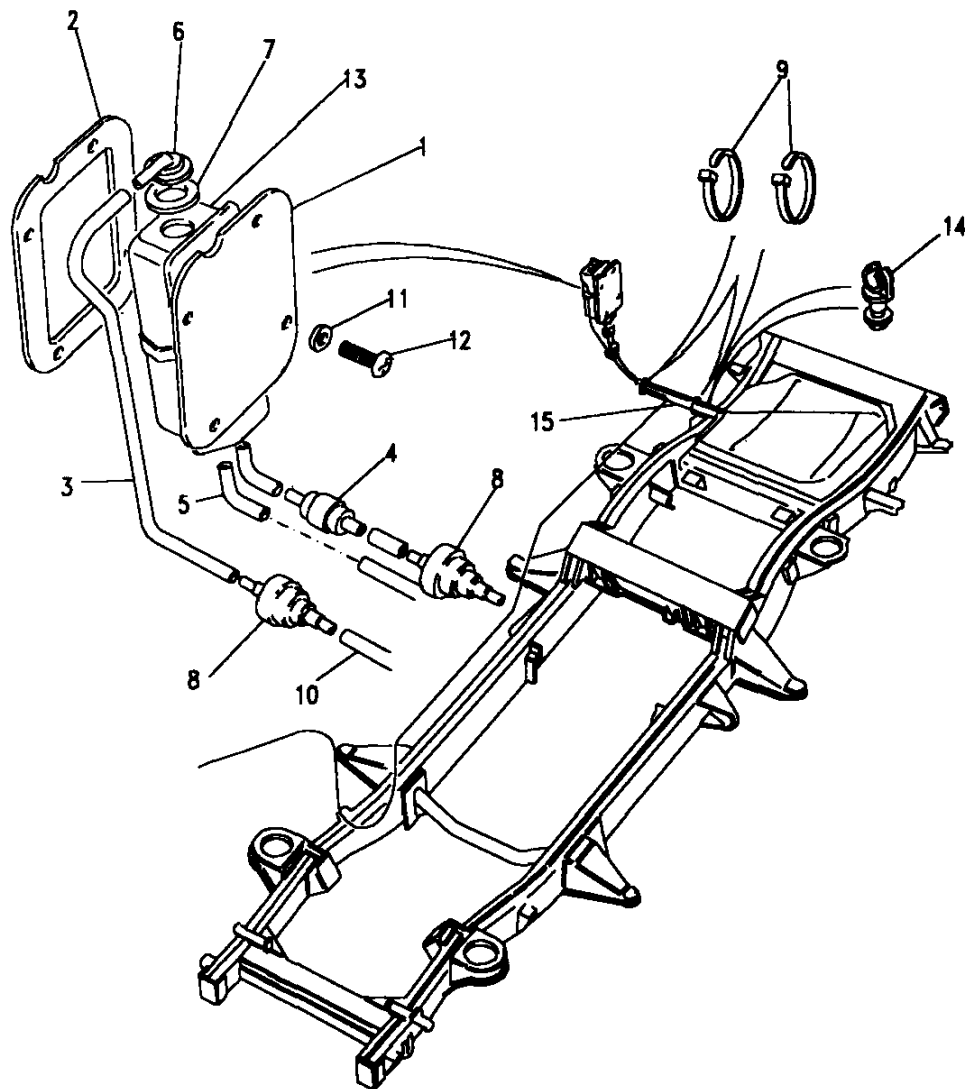
III. Part No.	Description	Qty	Remarks
1 ESR369	Canister charcoal	1	
NTC1956	Hose - fuel pipe	1	
2 ESR368	Bracket mounting	1	
3 NRC2268	Plate	1	
4 SH106161L	Screw	2	
5 WA106051L	Washer plain	4	
6 NH106141L	Nut	2	
7 NTC5415	Solenoid	1	
8 NTC5454	Pipe	1	
9 NTC5455	Pipe	1	
10 NTC5562	Clip	1	
11 NTC7491	Pipe	1	
12 CN100128L	Clip	1	



**Model** RANGE ROVER 1992 onwards  
**Page** BDJXTA3A

**FUEL - CHARCOAL CANISTER FROM KA624756**

III. Part No.	Description	Qty	Remarks
1 ESR1697	Bracket mounting	1	
2 FS106161	Screw	2	
3 WA106041L	Washer plain	2	
4 ESR1190	Vapour Canister	1	}Upto KA624870
5 ESR1683 ESR2218	Pipe - Canister to plenum Canister & pipe assy	1	
<b>100"</b>			
6 ESR2219	Pipe - Sep to canister	1	
<b>108" LSE/LWB</b>			
ESR2220	Pipe - Sep to canister	1	
<b>All variants</b>			
7 UKC3793L	Hose clamp	2	
8 UKC3795L	Hose clamp	1	
9 FS108251	Screw	1	
10 AEU1448	P clip	1	
11 SH105201L	Screw	1	
12 WA105001L	Washer plain	1	
13 WL105001L	Washer spring	1	
14 NH105041L	Nut	1	



**Model** RANGE ROVER 1992 onwards  
**Page** BDJXTA2A

**FUEL - EVAPORATIVE LOSS SYSTEM UPTO JA624755**

III. Part No.	Description	Qty	Remarks
1	ESR167	1	Separator vapour
2	ESR161	1	Seal
3	NTC7491	1	Pipe
4	NTC7493	1	Pipe
5	NTC7492	1	Pipe
6	NTC4517	1	Vent
7	NTC4627	1	Grommet
8	NTC7567	1	Valve pressure reducing
9	568680	2	Cable Tie
10	NTC7497	1	Pipe and restrictor
11	WL105001	4	Washer
12	SE105121	4	Screw
13	NTC7413	1	Separator
14	ESR562	1	Clip
15	NTC7487	1	Breather

NLA

**Model** RANGE ROVER 1992 onwards  
**Page** BDJXTA4A

**FUEL - LIQUID VAPOUR SEPARATOR FROM KA624756**

**III. Part No. Description Qty Remarks**

**Canister to separator - 100"**

1 ESR2219 Pipe assembly 1  
 2 NTC7567 Valve pressure relief 1

**Canister to separator - 108" LSE**

1 ESR2220 Pipe assembly 1  
 2 NTC7567 Valve pressure relief 1

**Tank to separator**

3 ESR1353 Pipe 1 Note(1)

**Separator to atmosphere**

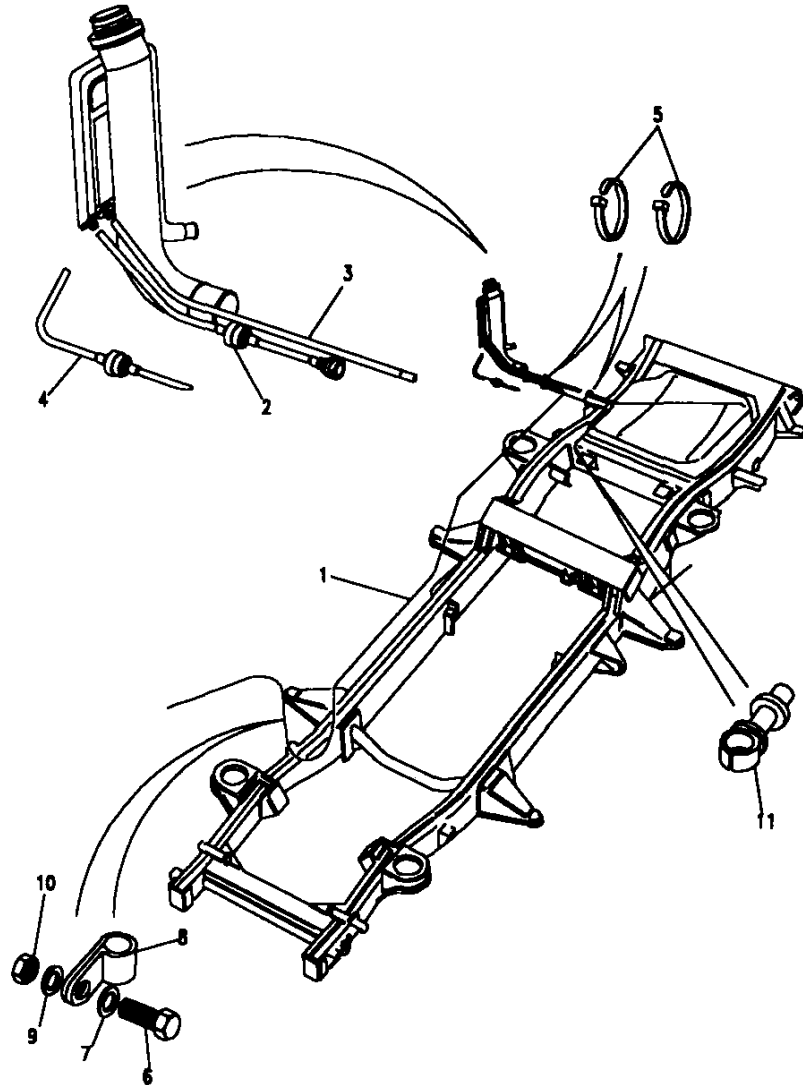
4 ESR1355 Pipe assembly 1 Note(1)

**All variants**

5 588680 Cable tie 2  
 6 78177 Screw 1  
 7 WC702101L Washer 1  
 8 AEU1448 Clip 1  
 9 WM702001L Washer spring 1  
 10 RTC608 Nut 1  
 11 79122 Clip pipe 1

Note(1)  
 Note(2)

NLA - use ESR1897 for unleaded or ESR1899 for leaded fuel.  
 For fuel filler assembly see page 382 - 383





MASTER INDEX

	PAGES	
INTRODUCTION PAGES	1 - 3	
ALPHABETICAL INDEX	4 - 9	
ENGINE	10 - 50	
ENGINE	51 - 88	
ENGINE	89 - 133	
ENGINE	134 - 172	
GEARBOX	173 - 194	
GEARBOX	195 - 211	
GEARBOX	212 - 238	
TRANSFER BOX	239 - 252	
AXLES AND SUSPENSION	253 - 313	
STEERING	314 - 332	
VEHICLE AND ENGINE CONTROLS	333 - 343	
BRAKES	344 - 374	
FUEL SYSTEM AND AIR CLEANER	375 - 401	
EXHAUST SYSTEM	402 - 409	
COOLING/HEATING	410 - 456	
BODY ELECTRICAL	457 - 574	
BODY AND CHASSIS	575 - 681	
INTERIOR TRIM	682 - 772	
SEATS	773 - 843	
SEATS	844 - 862	
STOWAGE	863 - 865	
ACCESSORIES - PAINTS	866 - 893	
NUMERICAL INDEX	895 - 958	

GROUP K

EXHAUST SYSTEM

EXHAUST SYSTEM

NON CATALYST - PETROL.

403 - 404

CATALYST - PETROL.

405

CATALYST - PETROL

406

DIESEL - 200 TDI ONLY.

407 - 408

VM DIESEL

409

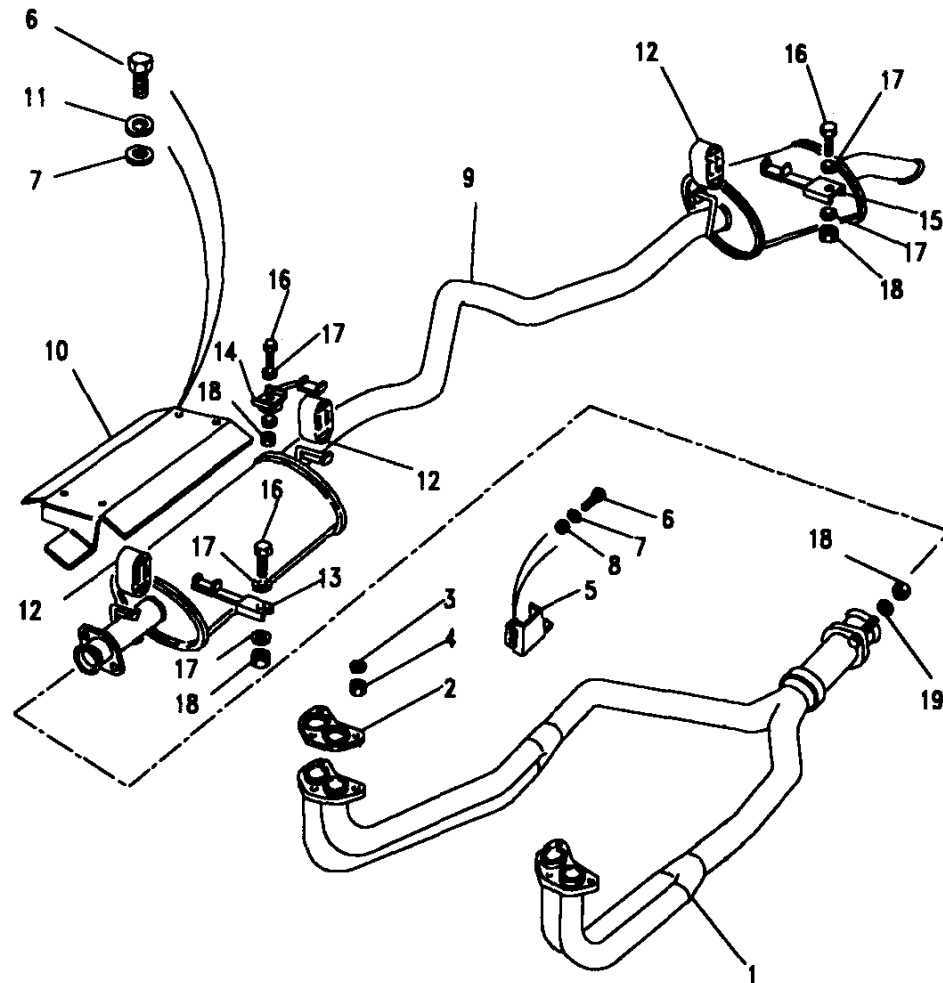


**Model** RANGE ROVER 1992 onwards  
**Page** BDKXAE1A

**EXHAUST - NON CATALYST - PETROL.**

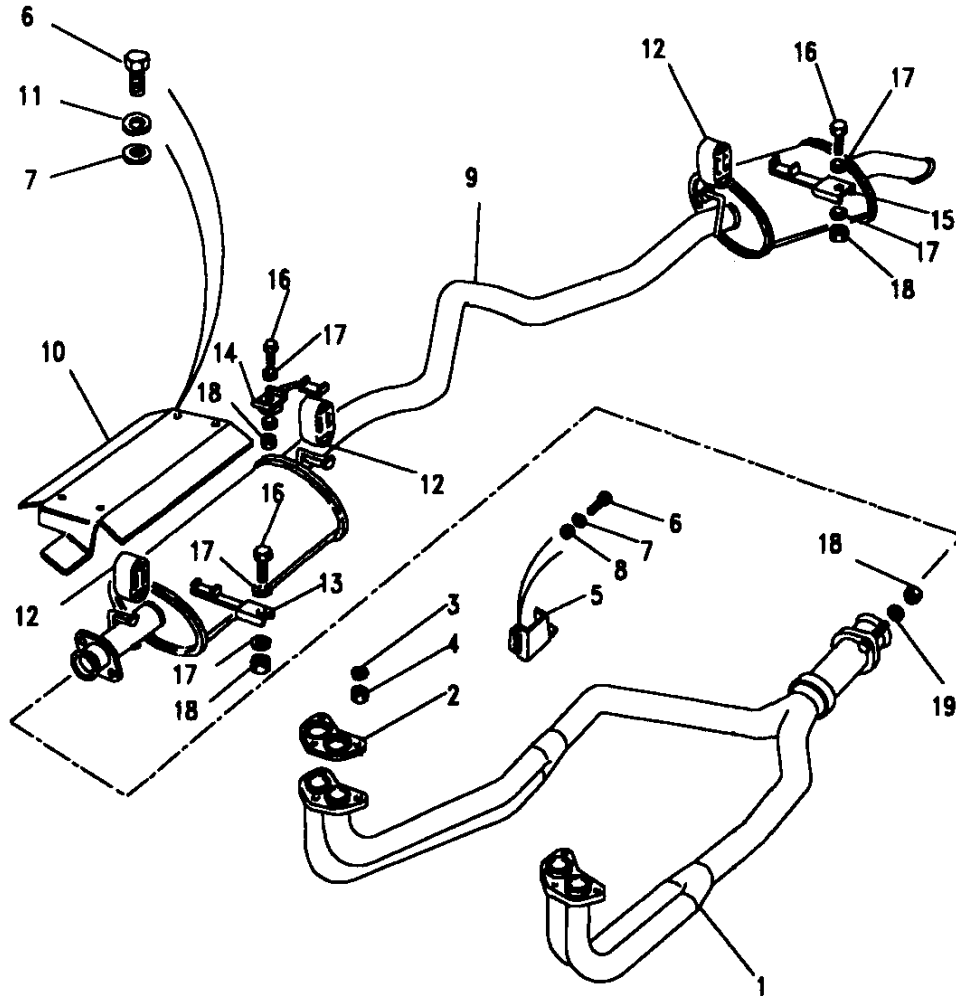
Ill. Part No.	Description	Qty	Remarks
<b>Non 108" LWB only</b>			
1 NTC7321	Downpipe	1	Manual
NTC7320	Downpipe	1	Automatic
<b>108" LWB only</b>			
1 ESR2423	Downpipe	1	Automatic
<b>All variants</b>			
2 ETC4524	Gasket manifold	2	
3 WA108051L	Washer plain	6	
4 NTC1966	Nut	6	Note(1)
ESR2033	Nut	6	Note(2)
5 NTC4602	Heatshield	1	
6 FS106167L	Screw	4	
7 WA106041L	Washer Plain	4	
8 NH106041L	Nut	4	
<b>For Australia &amp; South Africa only</b>			
9 STC790	Tailpipe	1	
<b>FOR all other countries.</b>			
9 ESR560	Tailpipe	1	
<b>All variants</b>			
10 NTC7196	Heatshield	1	
11 WL106001L	Washer spring	2	
12 NTC5582	Mounting rubber	3	

Note(1) Upto JA624755  
 Note(2) From KA624758

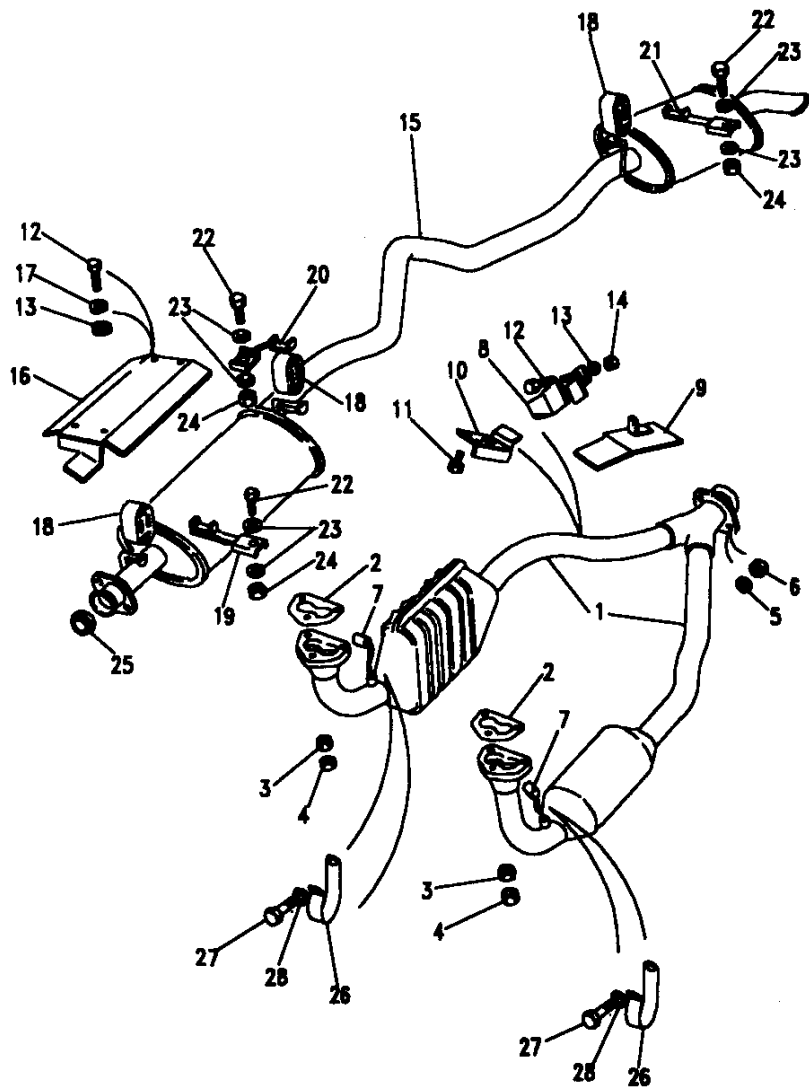


Model RANGE ROVER 1992 onwards  
 Page BDKXAE1A

EXHAUST - NON CATALYST - PETROL.



III. Part No.	Description	Qty	Remarks
13	NTC7348	1	Front
14	NTC5634	1	Centre
15	ESR101	1	Rear
16	GG108251L	2	Screw
	SH108401L	1	Screw
17	WP105L	6	Washer plain
18	NV110041L	3	Nut
19	WL108001L	3	Washer spring



**Model** RANGE ROVER 1992 onwards  
**Page** BDKXAE2B

**EXHAUST - CATALYST - PETROL**

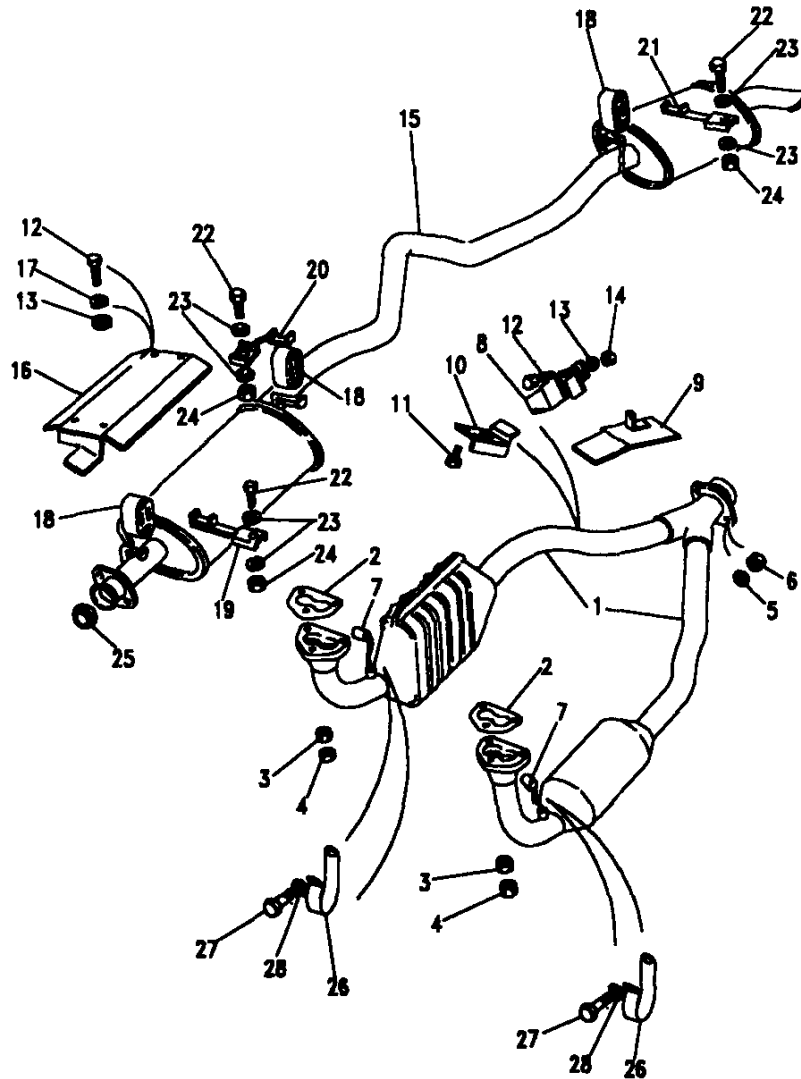
III. Part No.	Description	Qty	Remarks
<b>108" L.W.B. only</b>			
1 ESR1220	Downpipe	1	Upto KA645767
ESR3060	Downpipe	1	From KA645768
<b>Japan only</b>			
ESR2259	Downpipe	1	Upto KA645767
ESR3061	Downpipe	1	From KA645768
<b>ALL non L.W.B vehicles - Manual</b>			
1 NTC7319	Downpipe	1	Upto KA645767
ESR3063	Downpipe	1	From KA645768
<b>ALL non L.W.B vehicles - Automatic</b>			
NTC6127	Downpipe	1	Upto KA645767
ESR3059	Downpipe	1	From KA645768
<b>All variants</b>			
2 ETC4524	Gasket manifold	2	
3 WA108051L	Washer plain	6	
4 NTC1966	Nut	6	
5 WL108001L	Washer spring	2	
6 NV110041L	Nut	2	
7 PRC7062	Sensor lambda	2	
8 NTC4802	Heatshield	2	
9 NTC7345	Heatshield	1	
10 NTC5564	Heatshield	1	Note(1)
ERR3801	Heatshield	1	Note(2)

Note(1) Upto KA632886  
 Note(2) From KA632887



**Model** RANGE ROVER 1992 onwards  
**Page** BDKXAE2B

**EXHAUST - CATALYST - PETROL**



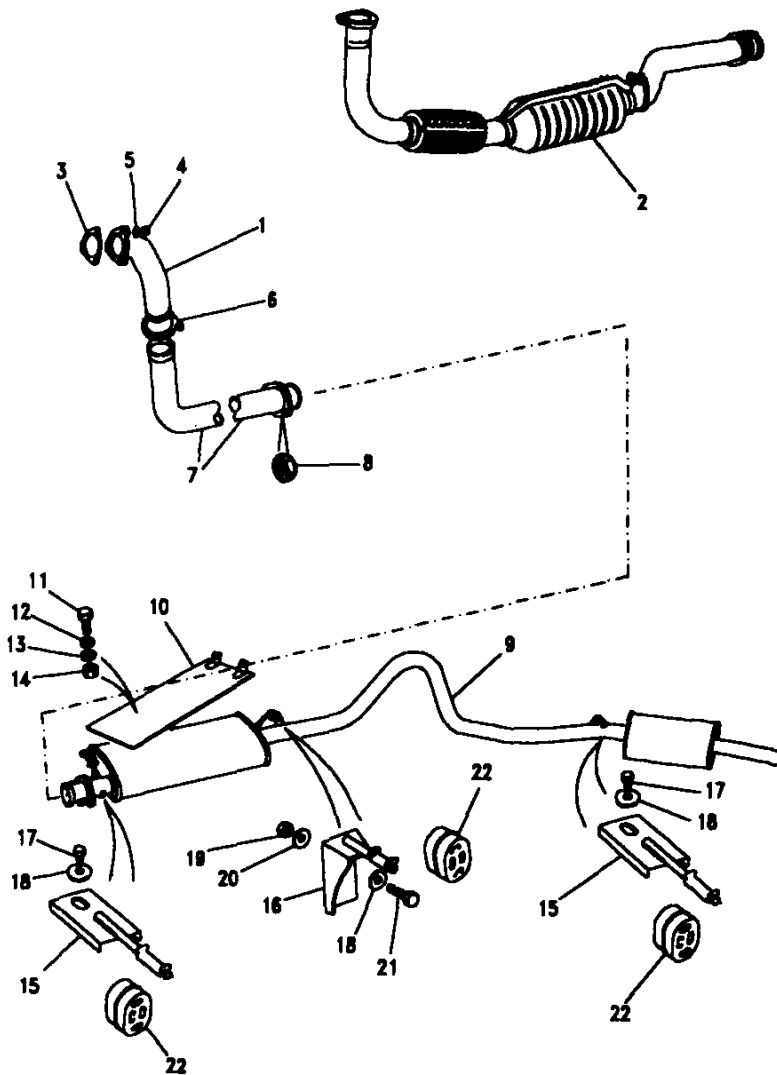
III. Part No.	Description	Qty	Remarks
11	SH106251L	2	
12	FS106167L	4	
13	WA106041L	4	
14	NH106041L	4	
15	ESR1053	1	100"only
16	NTC7196	1	
17	WL106001L	1	
18	NTC5582	3	
19	NTC7348	1	Front
20	NTC5634	1	Centre
21	ESR101	1	Rear
22	GG108251L	2	
	SH108401L	1	
23	WP105L	6	
24	NV108041L	3	
25	CRC4579L	1	
26	240407	1	
27	SH506071L	1	
28	WA110061L	1	

**Model** RANGE ROVER 1992 onwards  
**Page** BDKXDE1A

**EXHAUST - DIESEL - 200 TDI ONLY.**

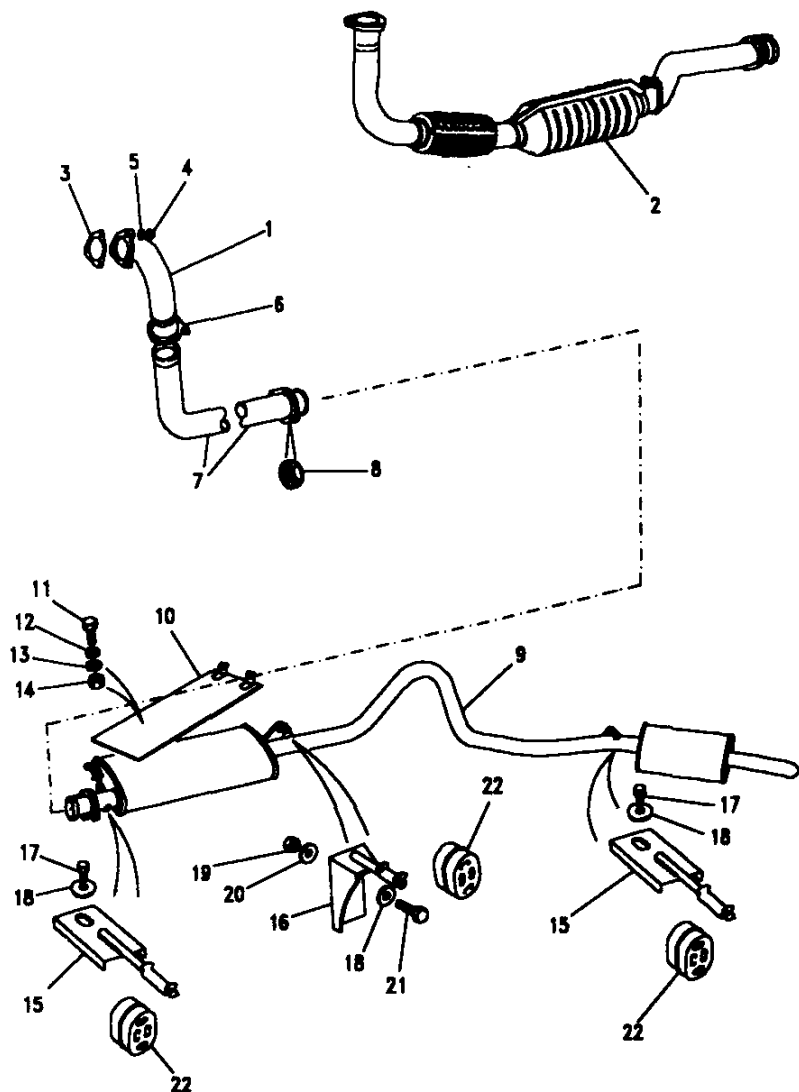
Ill. Part No.	Description	Qty	Remarks
1	ERR1295 ERR4530	1	Note(1) Note(2)
2	ESR2739	1	Note(4)
3	ETC7513	1	
	ERR4108	1	
4	ERR597	1	
	ESR2034	3	Use with ESR2739
5	WA110061L	3	
6	NTC4881	1	
7	ESR1887	1	
8	NV108041L	2	
9	ESR1855	1	Note(3)
	ESR2360	1	Note(4)
	ESR2312	1	Note(4,5)
10	NRC7649	1	

Note(1) Upto 14L037468A  
 Note(2) From 14L037469A upto LA647644  
 Note(3) Upto LA647644  
 Note(4) From MA647645  
 Note(5) EGR & CAT



**Model** RANGE ROVER 1992 onwards  
**Page** BDKXDE1A

**EXHAUST - DIESEL - 200 TDI ONLY.**



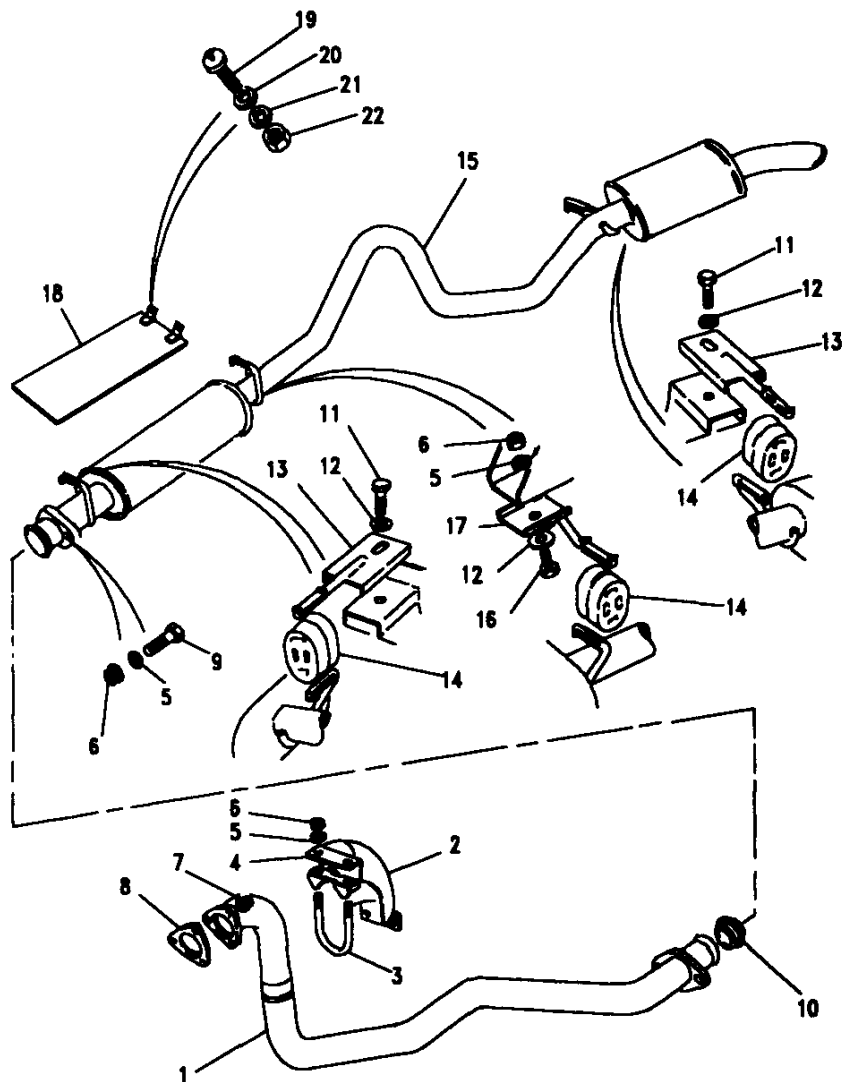
III. Part No.	Description	Qty	Remarks
11	FS108167L Screw	2	
12	WL106001L Washer spring	4	
13	WA106041L Washer plain	4	
14	NH106041L Nut	2	
15	NTC5648 Bracket support	2	) Note(1)
	NTC5634 Bracket support	1	
	ESR2087 Bracket mounting	1	) Note(1)
	ESR2131 Bracket mounting	1	
	ESR2386 Bracket mounting	1	) Note(2)
16	ESR2945 Bracket support	1	
17	GG108251L Bolt	2	
18	WP105L Washer plain	4	
19	NV108041L Nut philidas	2	
20	WP105L Washer plain	4	
21	SH108401L Screw	1	
22	NTC5582 Mounting rubber	3	Note(1)
	NTC3650 Mounting rubber	3	Note(2)

Note(1)  
Note(2)

Upto LA647644  
From MA647645

**Model** RANGE ROVER 1992 onwards  
**Page** BDKXDG1A

**EXHAUST - VM DIESEL**



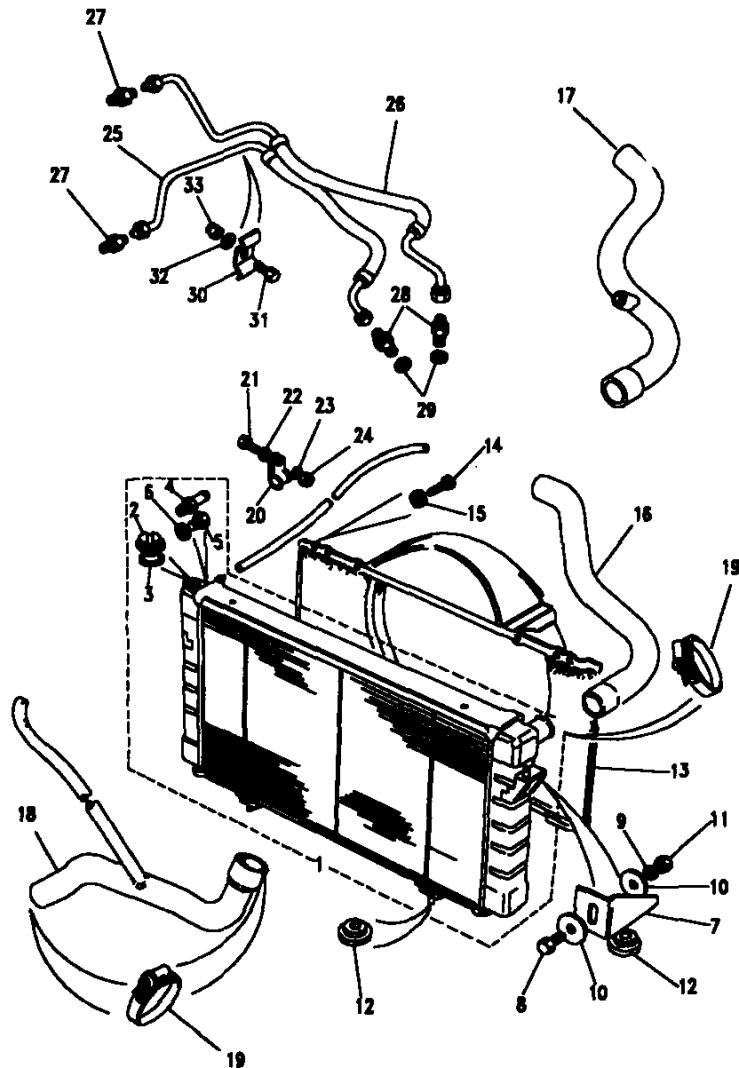
III. Part No.	Description	Qty	Remarks
1	NTC7395	1	Downpipe
2	NTC2237	1	Heatshield
3	NTC2240	2	U Bolt
4	NTC2239	2	Plate clamp
5	WA108051L	4	Washer plain
6	NV108041L	4	Nut philidas
7	NTC1988	3	Nut
8	RTC4894	1	Gasket
9	BH108105L	2	Screw
10	CRC4579L	1	Olive
11	GG108251L	2	Screw
12	WP105L	3	Washer plain
13	NTC5648	3	Bracket hanger
14	NTC5582	3	Mounting rubber
15	NTC7382	1	Main silencer & tailpipe
16	FS108161L	1	Screw
17	NTC5634	1	Bracket hanger
18	NRC7649	1	Heatshield
19	SE108161L	2	Screw
20	WA106041L	2	Washer
21	SE108161L	2	Washer spring
22	NH106041L	2	Nut

**MASTER INDEX**

	PAGES
INTRODUCTION PAGES	1 - 3
ALPHABETICAL INDEX	4 - 9
ENGINE	10 - 50
ENGINE	51 - 88
ENGINE	89 - 133
ENGINE	134 - 172
GEARBOX	173 - 194
GEARBOX	195 - 211
GEARBOX	212 - 238
TRANSFER BOX	239 - 252
AXLES AND SUSPENSION	253 - 313
STEERING	314 - 332
VEHICLE AND ENGINE CONTROLS	333 - 343
BRAKES	344 - 374
FUEL SYSTEM AND AIR CLEANER	375 - 401
EXHAUST SYSTEM	402 - 409
COOLING/HEATING	410 - 458
BODY ELECTRICAL	457 - 574
BODY AND CHASSIS	575 - 681
INTERIOR TRIM	682 - 772
SEATS	773 - 843
SEATS	844 - 862
STOWAGE	863 - 865
ACCESSORIES - PAINTS	866 - 893
NUMERICAL INDEX	895 - 958

**GROUP L**
**COOLING/HEATING**

<b>COOLING/HEATING</b>	
RADIATOR - PETROL - UP TO LA647644	411 - 412
RADIATOR & OIL COOLER - V8 PI - FROM MA647645	413 - 414
RADIATOR - VM DIESEL	415
RADIATOR HOSES - VM DIESEL	416
RADIATOR - 200TDI	417 - 418
RADIATOR, INTERCOOLER & OIL COOLER - 300TDI	419 - 422
RADIATOR SEALS	423
EXPANSION TANK - V8 PI - UP TO LA647644	424
EXPANSION TANK - V8 PI FROM MA647645	425
EXPANSION TANK - VM DIESEL & 200TDI	426
EXPANSION TANK - 300TDI	427
HEATER - V8 PI & VM DIESEL - UP TO LA647644	428 - 429
HEATER ASSEMBLY - 200TDI- UP TO LA647644	430
HEATER ASSEMBLY - FROM MA647645	431 - 433
VACUUM TANK AND HOSES	434
DEMISTERS	435
FRESH AIR SYSTEM	436
HEATER HOSES - FROM MA647645	437 - 438
HEATER DUCTING FRONT - FROM MA647645	439
HEATER DUCTING REAR - UP TO LA647644	440
HEATER DUCTING REAR - FROM MA647645	441
PRINCIPAL COMPONENTS - UP TO LA647644	442 - 445
FRONT AIR CONDITIONING SYSTEM - FROM MA647645	446 - 449
HOSE LAYOUT - PI ONLY - UP TO LA647644	450 - 451
HOSE LAYOUT - VM DIESEL ONLY	452 - 453
HOSE LAYOUT - 200TDI ONLY	454 - 455
HOSES - FRONT SYSTEM - FROM MA647645	458

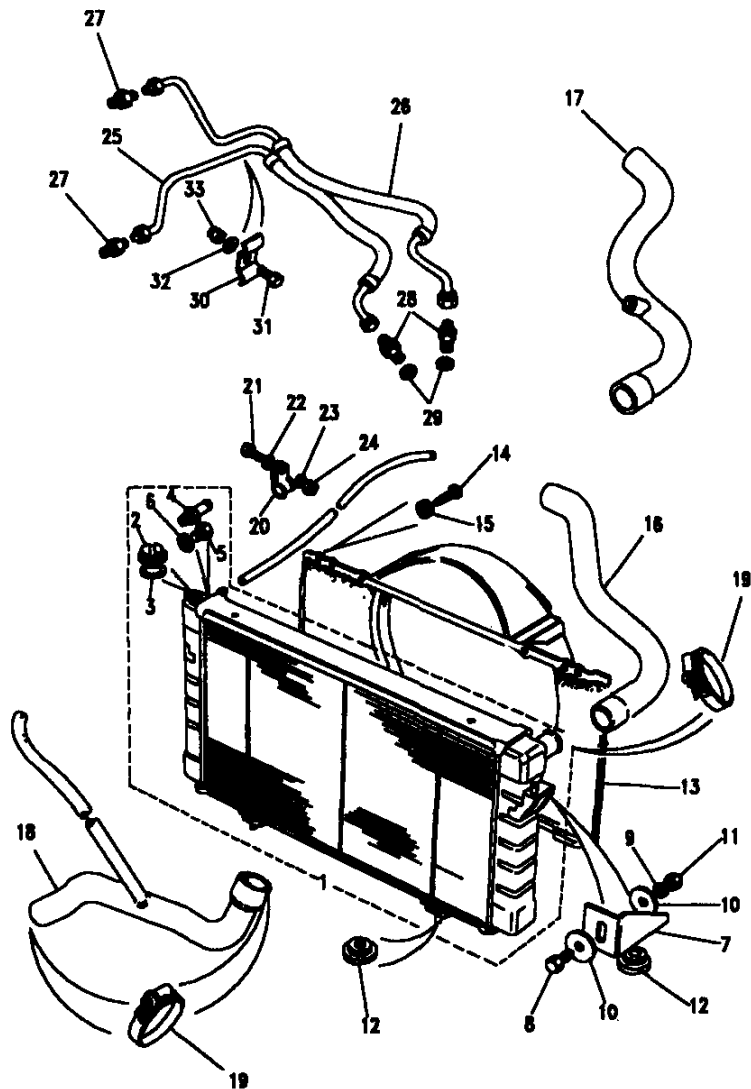


**Model** RANGE ROVER 1992 onwards  
**Page** BDLXAA1A

**COOLING SYSTEM - RADIATOR - PETROL - UP TO LA647644**

Ill. Part No.	Description	Qty	Remarks
<b>Automatic</b>			
1 ESR74	Radiator assembly	1	Note(1)
ESR1250	Radiator assembly	1	Note(2)
<b>Manual</b>			
ESR75	Radiator assembly	1	
2 NTC4609	Plug	1	
3 NTC5171	Washer	1	
4 KTP9024	Vent	1	
5 RRO2126L	Plug	1	
6 RRO2125L	Washer	1	
7 NTC1873	Bracket mounting	1	Top
8 SH108161L	Screw	2	
9 WL108001L	Washer spring	2	
10 WA108051L	Washer plain	2	
11 NH108041L	Nut	2	
12 572312	Bush	4	
13 ESR1027	Cowl radiator	1	
14 AB606041L	Screw	4	
15 WS600047L	Washer spring	4	
16 ESR1052	Hose top	1	
ESR3297	Hose top	1	

Note(1) Up to JA624755  
 Note(2) From KA624756



**Model** RANGE ROVER 1992 onwards  
**Page** BDLXAA1A

**COOLING SYSTEM - RADIATOR - PETROL - UP TO LA647844**

Ill. Part No.	Description	Qty	Remarks
<b>All 4.2L and Japan LHS 3.9L only</b>			
17 ESR2167	Hose top	1	
<b>All variants</b>			
18 NTC7297	Hose bottom	1	
19 CN100508	Clip hose	1	
20 NRC2383	Clip	1	
21 255207	Screw	1	
22 WA106041L	Washer plain	1	
23 WM600041L	Washer spring	1	
24 NH604041L	Nut	1	
25 ESR356	Hose	1	Note(1)
ESR1672	Hose	1	Note(2)
ESR1594	O ring	1	
26 ESR355	Hose	1	Note(1)
ESR1671	Hose	1	Note(2)
ESR1594	O ring	1	
27 NTC3858	Adaptor	2	Note(1)
ESR1262	Adaptor	2	Note(2)
28 ETC9064	Adaptor	2	Note(1)
ESR1239	Adaptor	2	Note(2)
29 ETC9065	Gasket	2	
30 NTC6847	Clamp	2	
31 SH106167L	Screw	1	
32 WA106041L	Washer	1	
33 NY106041L	Nut	1	

Note(1) Up to JA624755  
 Note(2) From KA624756

**Model** RANGE ROVER 1992 onwards  
**Page** BDLXAA2B

**COOLING SYSTEM - RADIATOR & OIL COOLER - V8 PI - FROM MA647645**

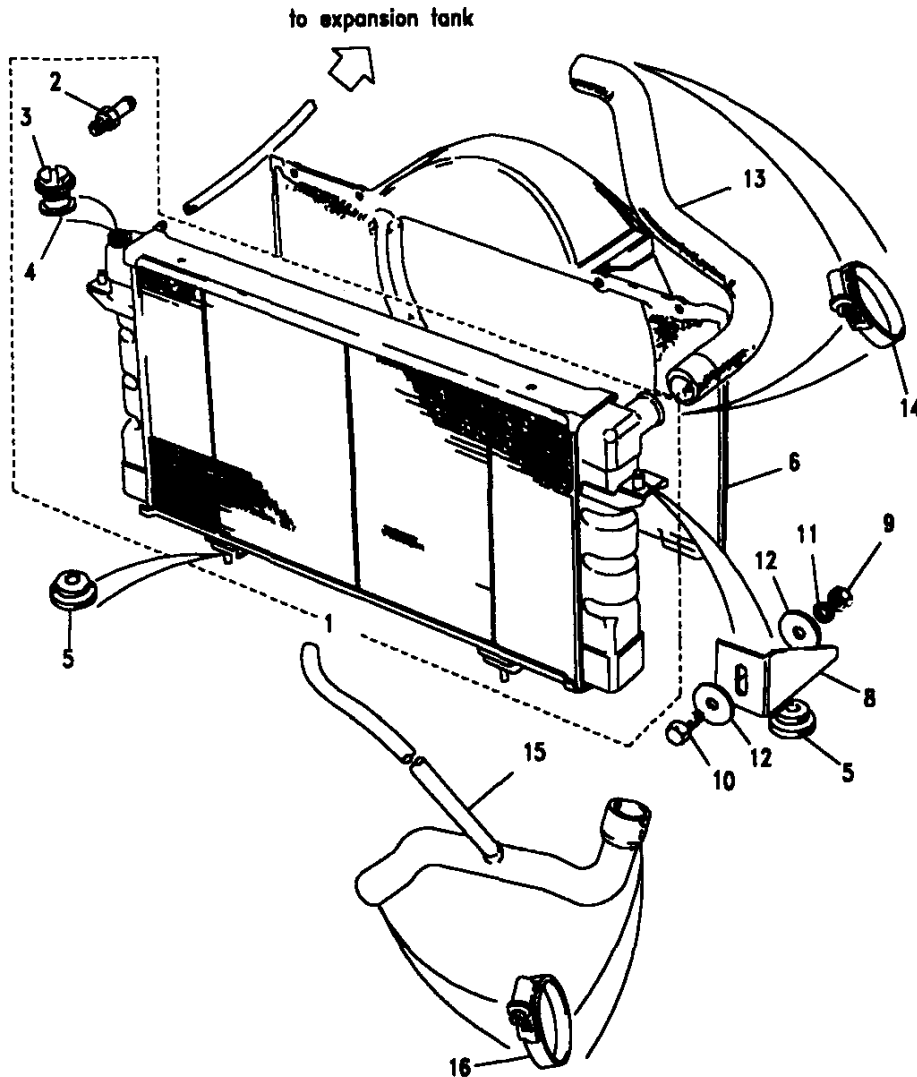
**Ill. Part No. Description Qty Remarks**

**Radiator & oil cooler unit**

1	ESR2634	Radiator/oil cooler assy	1	Manual
	ESR2630	Radiator/oil cooler assy	1	Automatic
2	ESR1262	Adaptor radiator	2	
3	NTC4609	Plug	1	
4	NTC5171	O Ring	1	
5	572312	Bush radiator mounting	4	
6	ESR3226	Cowl fan - upper	1	
	ESR2847	Cowl fan - lower	1	
7	ESR2593	Clip - cowl retaining	2	
8	NTC1873	Bracket mounting upper	1	
	ANR3700	Bracket radiator/PAS res.	1	
9	NH108041L	Nut M8	2	
10	SH108201L	Screw M8	2	
11	WA108051L	Washer M8	2	
12	WJ108001L	Washer M8	2	

**Radiator hoses**

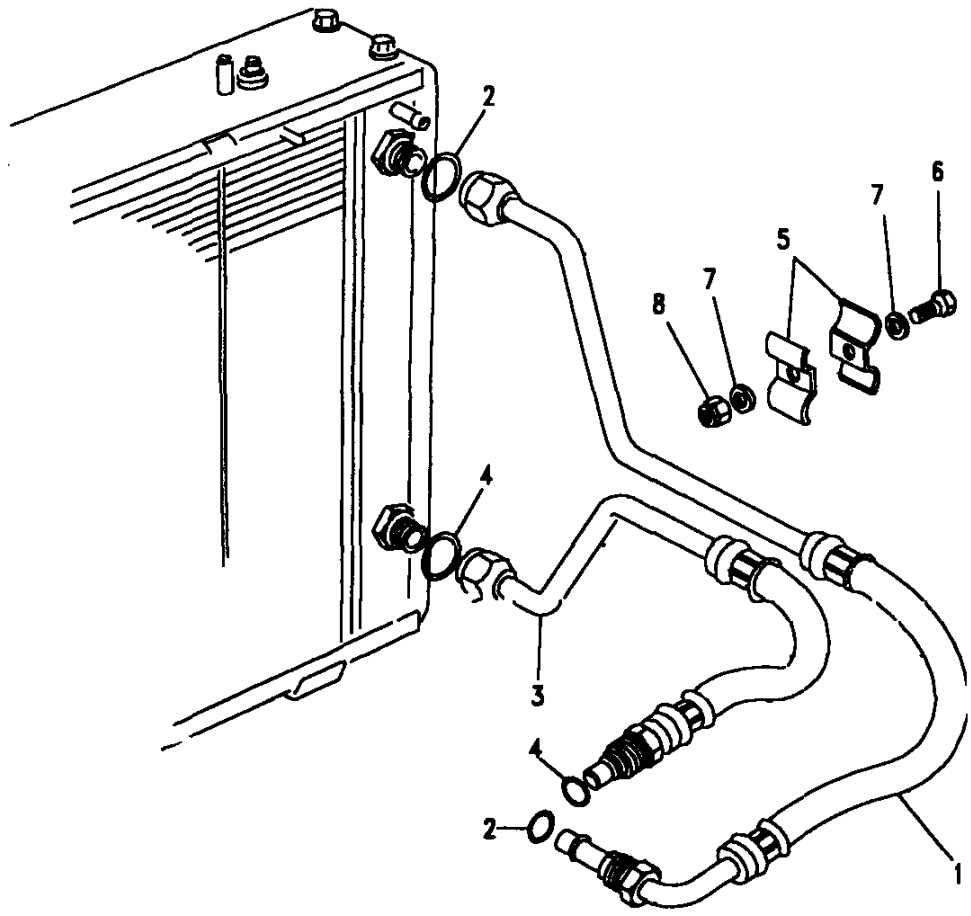
13	ESR1052	Hose top	1	Up to MA852456
	ESR3297	Hose top	1	From MA652457
14	CN100508	Clip hose	2	
15	ESR1818	Hose bottom	1	
16	CN100308	Clip hose	1	
17	CN100508	Clip hose	1	



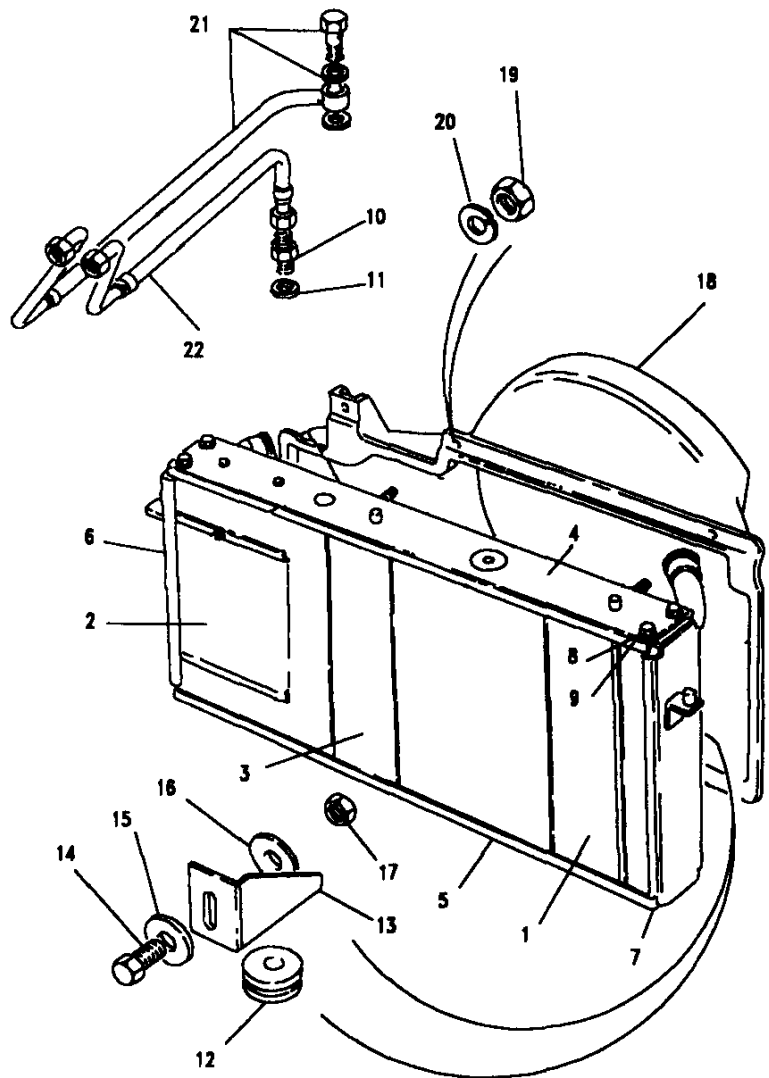


**Model** RANGE ROVER 1992 onwards  
**Page** BDLXAA4B

**COOLING SYSTEM - RADIATOR & OIL COOLER - V8 PI - FROM MA647645**



III. Part No.	Description	Qty	Remarks
<b>Engine oil cooler pipes</b>			
1	ESR2814 Pipe engine to cooler	1	
2	ESR1594 O Ring	2	
3	ESR3098 O Ring	1	
3	ESR2813 Pipe cooler to engine	1	
4	ESR1594 O Ring	2	
5	NTC6847 Clamp saddle	2	
6	SH106161 Screw M6	1	
7	WA106001 Washer M6	1	
8	NY106041 Nut nyloc M6	1	



**Model** RANGE ROVER 1992 onwards  
**Page** BDLXAC1A

**COOLING SYSTEM - RADIATOR - VM DIESEL**

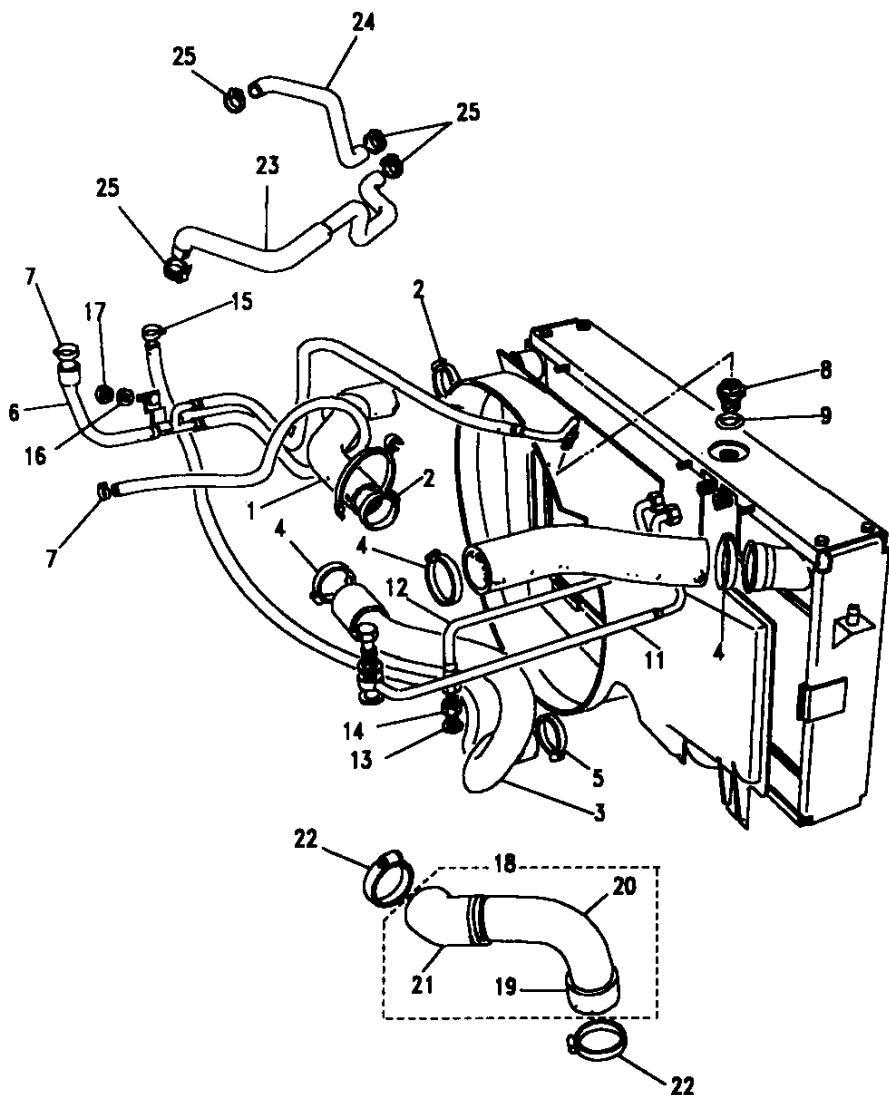
III. Part No.	Description	Qty	Remarks
1	BTP1831 Radiator	1	
2	FTP8020 Intercooler	1	
3	KTP9687 Oil Cooler	1	
4	BTP1839 Frame	1	Top
5	BTP1841 Frame	1	Bottom
6	BTP1842 Frame side RH	1	
7	BTP1843 Frame side LH	1	
8	SH108121L Screw	8	
9	WL108001L Washer spring	8	
10	ETC9064 Adaptor	1	
11	ETC9065 Washer	1	
12	572312 Bush	4	
13	NTC1873 Bracket mounting	2	Top
14	FS108201L Screw	4	
15	WJ108001L Washer plain	4	
16	WA108051L Washer plain	4	
17	NH108201L Nut	4	
18	ESR157 Cowl radiator	1	
19	NH105041L Nut	2	
	WA105001L Washer plain	2	
20	WS105001 Washer spring	2	
21	NTC8785 Hose	1	
22	NTC7718 Hose	1	

**Model** RANGE ROVER 1992 onwards  
**Page** BDLXAC2A

**COOLING SYSTEM - RADIATOR HOSES - VM DIESEL**

Ill. Part No.	Description	Qty	Remarks
1	NTC6734	1	Hose top
2	CN100508	2	Clip hose
3	ESR185	1	Hose bottom
4	STC128	1	Clip hose
5	CN100508	1	Clip hose
6	ESR522L	1	Hose
7	CN100208L	2	Clip hose
8	ESR115	1	Adaptor
9	NTC5171	1	Seal
10	NTC2316	1	Hose
11	NTC6785	1	Hose
12	NTC7849	1	Hose
13	ETC9065	1	Washer
14	ETC9064	1	Adaptor
15	CN100258L	1	Clip hose
16	WA106041L	1	Washer plain
17	NH106041L	1	Nut
18	NTC5172	1	Pipe
19	NTC5175	1	Pipe
20	NTC5173	1	Pipe
21	NTC5174	1	Pipe
22	CN100608L	4	Clip hose
23	NTC2826	1	Hose heater
24	NTC2834	1	Hose heater
25	CN100258L	4	Clip Hose

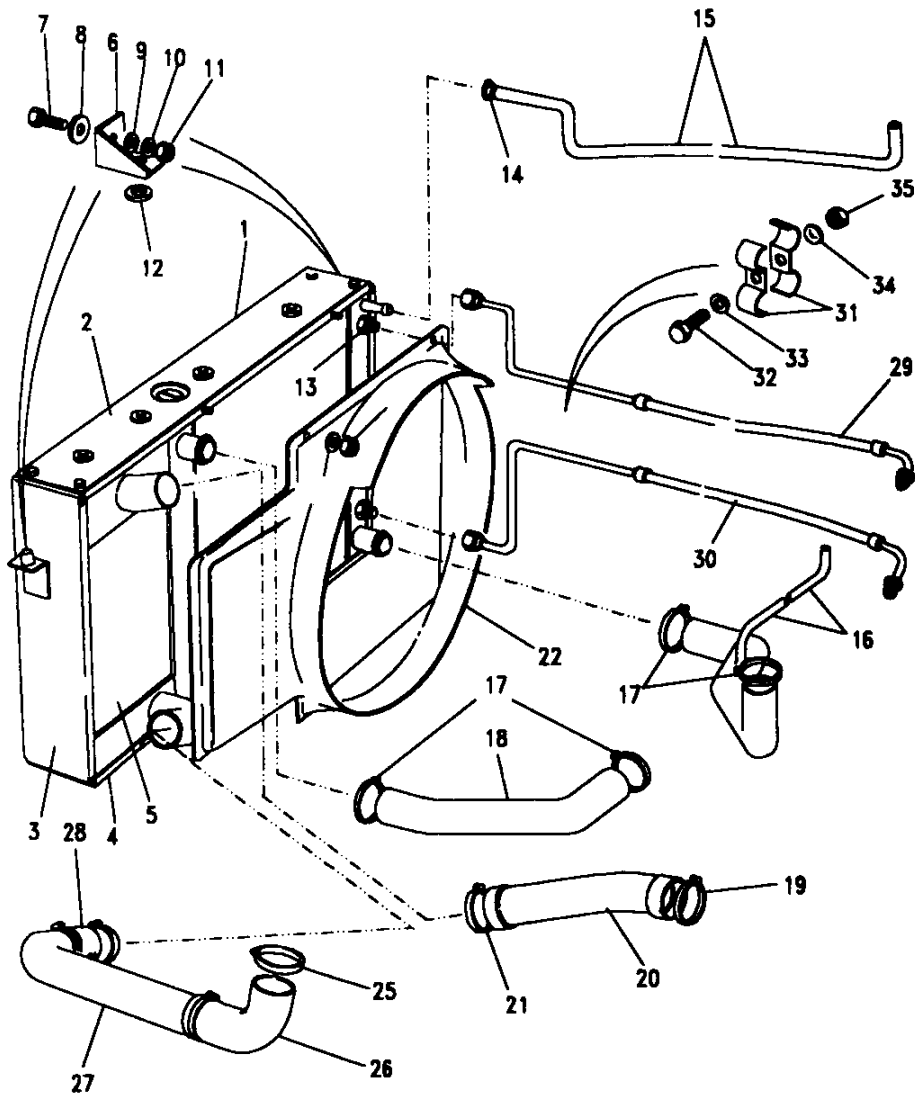
Note(1) For radiator & cowl see page 415



Model RANGE ROVER 1992 onwards  
 Page BDLXAC3A

COOLING SYSTEM - RADIATOR - 200TDI

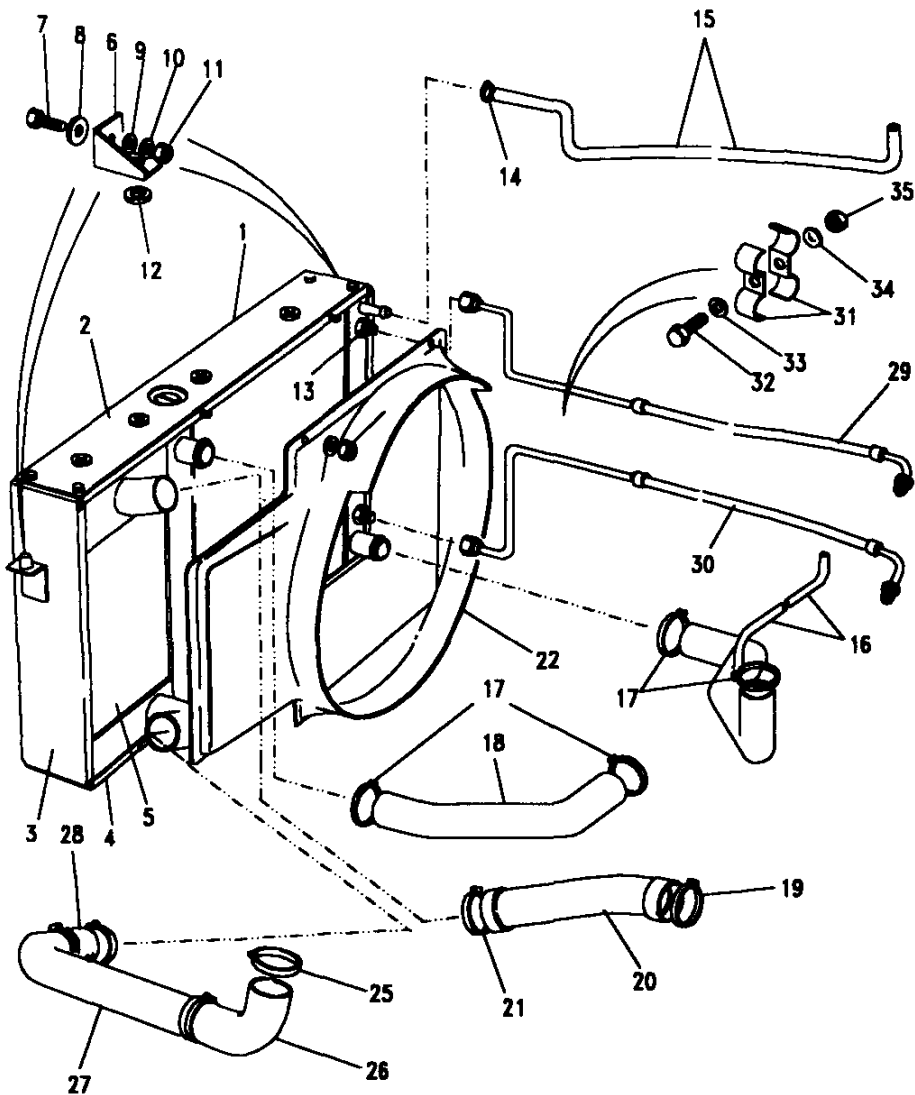
Ill. Part No.	Description	Qty	Remarks
1	BTP1823	1	Radiator & oil cooler
2	BTP1809	1	Frame top
3	BTP1811	1	Frame side RH
4	BTP1812	1	Frame side LH
5	BTP1781	1	Frame bottom
6	FTP8015	1	Intercooler
7	NTC1873	2	Bracket mounting
8	FS108201L	2	Screw
9	WJ108001	2	Washer plain
10	WA108051L	2	Washer plain
11	WL108001	2	Washer spring
12	FN108041L	2	Nut
13	572312	2	Bush mounting
14	ESR1262	1	Adaptor
15	CN100208L	2	Clip hose
16	NTC7298	1	Hose bleed
17	NTC7223	1	Hose bottom
18	CN100508	2	Clip
19	NTC4329	1	Hose top
20	STC128	1	Clip



Model RANGE ROVER 1992 onwards  
Page BDLXAC3A

COOLING SYSTEM - RADIATOR - 200TDI

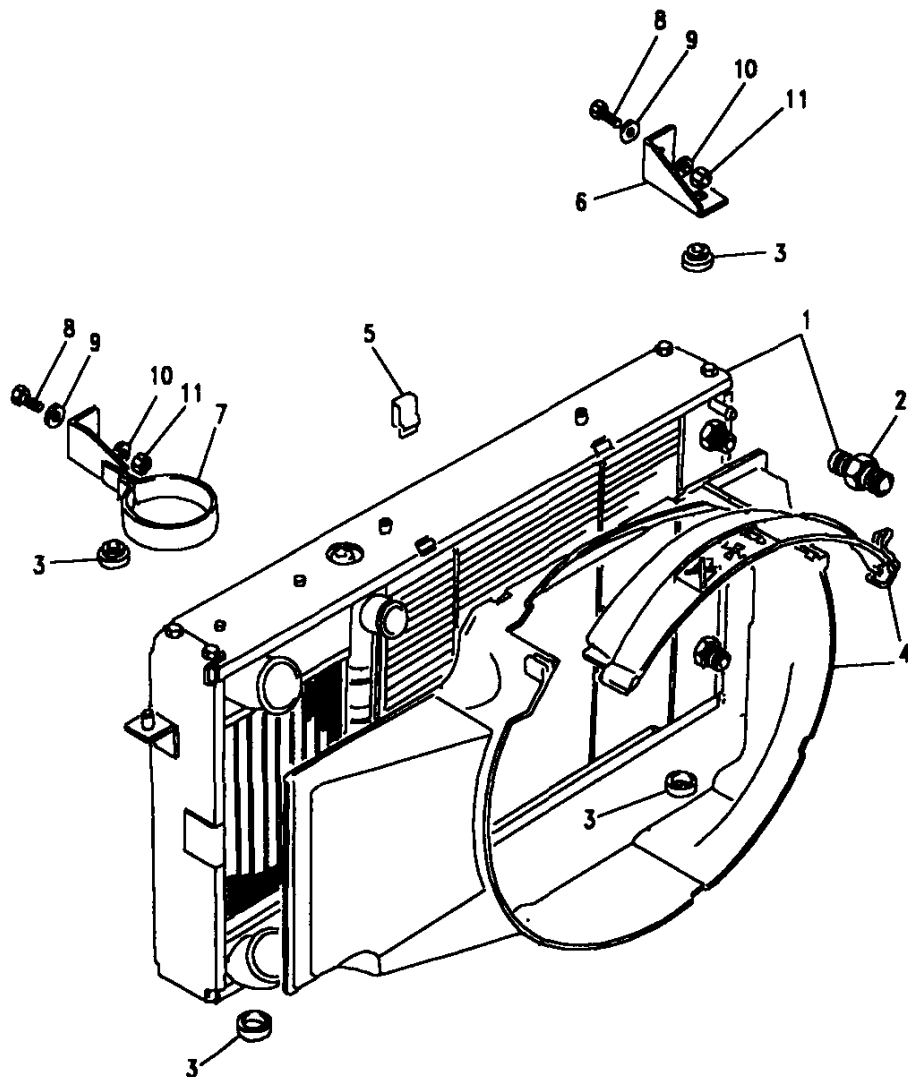
III. Part No.	Description	Qty	Remarks
20	ESR2263 Hose	1	
21	CN100608L Clip hose	1	
22	NTC4336 Fan cowl	1	
23	WA105001L Washer plain	2	
24	NY105041L Nut	2	
25	CN100608L Clip hose	2	
26	ESR1905 Hose	1	Up to KA642521
	ESR2932 Hose	1	From KA642522
27	NTC5655 Hose	1	
28	NTC5175 Hose	1	Up to KA642521
	ESR2943 Hose	1	From KA642522
29	ESR1257 Pipe assembly	1	
30	ESR1258 Pipe assembly	1	
31	NTC6847 Hose clamp	2	
32	FS106167L Screw	1	
33	WL106001L Washer spring	1	
34	WA106041L Washer Plain	1	
35	NY106041L Nut	1	



**Model** RANGE ROVER 1992 onwards  
**Page** BDLXAC4A

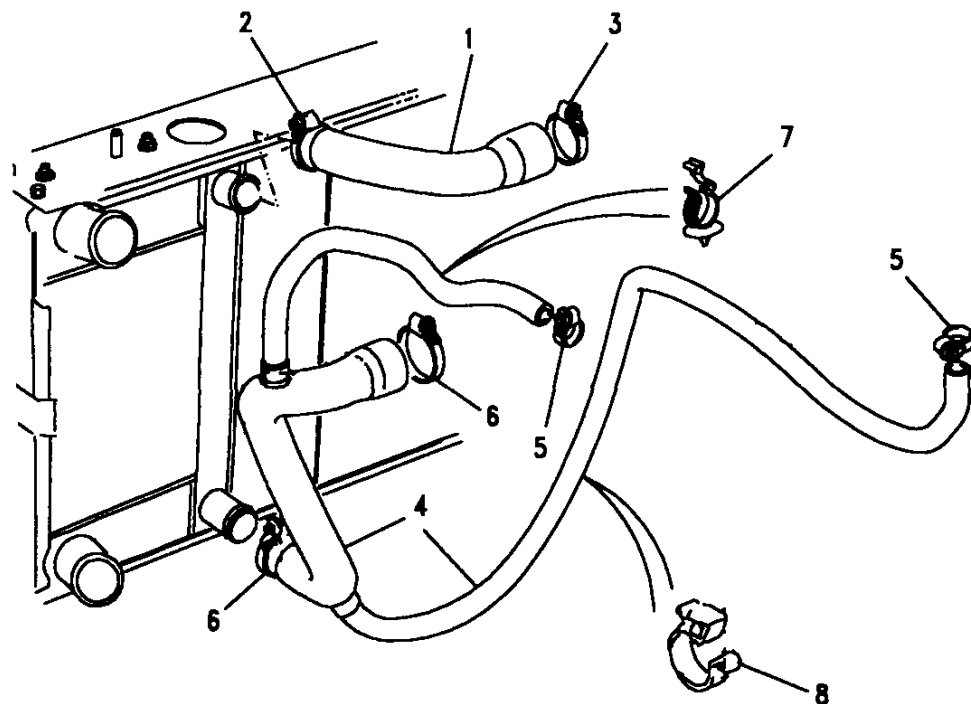
**COOLING SYSTEM - RADIATOR, INTERCOOLER & OIL COOLER - 300TDI**

III. Part No.	Description	Qty	Remarks
<b>Radiator, intercooler &amp; oil cooler unit</b>			
1	ESR2592	1	Upto MA659988
	ESR3275	1	From MA651989
2	ESR1262	2	Adaptor radiator
3	572312	4	Bush radiator mounting
4	ESR2848	1	Cowl fan - upper
	ESR2849	1	Cowl fan - lower
	ESR3276	1	Cowl fan - iower
	ESR3276	1	Upto MA651988
	ESR3276	1	From MA651989
5	ESR2593	2	Clip - cowl retaining
6	NTC1873	1	Bracket mounting upper
7	ANR3700	1	Bracket radiator/PAS res.
8	SH108201	2	Screw M8
9	WJ108001	2	Washer M8
10	WA108051L	2	Washer M8
11	NH108041L	2	Nut M8



**Model** RANGE ROVER 1992 onwards  
**Page** BDLXAC4B

**COOLING SYSTEM - RADIATOR, INTERCOOLER & OIL COOLER - 300TDI**



Ill. Part No.	Description	Qty	Remarks
<b>Radiator hoses</b>			
1	ESR2491 Hose top	1	
2	CN100508 Clip hose	1	
3	CN100608 Clip	1	
4	ESR3147 Hose bottom	1	Up to MA652456
	ESR3296 Hose bottom	1	From MA652457
5	CN100308L Clip hose	2	
6	CN100508 Clip hose	2	
7	ESR2662 Clip edge	1	
8	ESR1800 Clip edge	2	

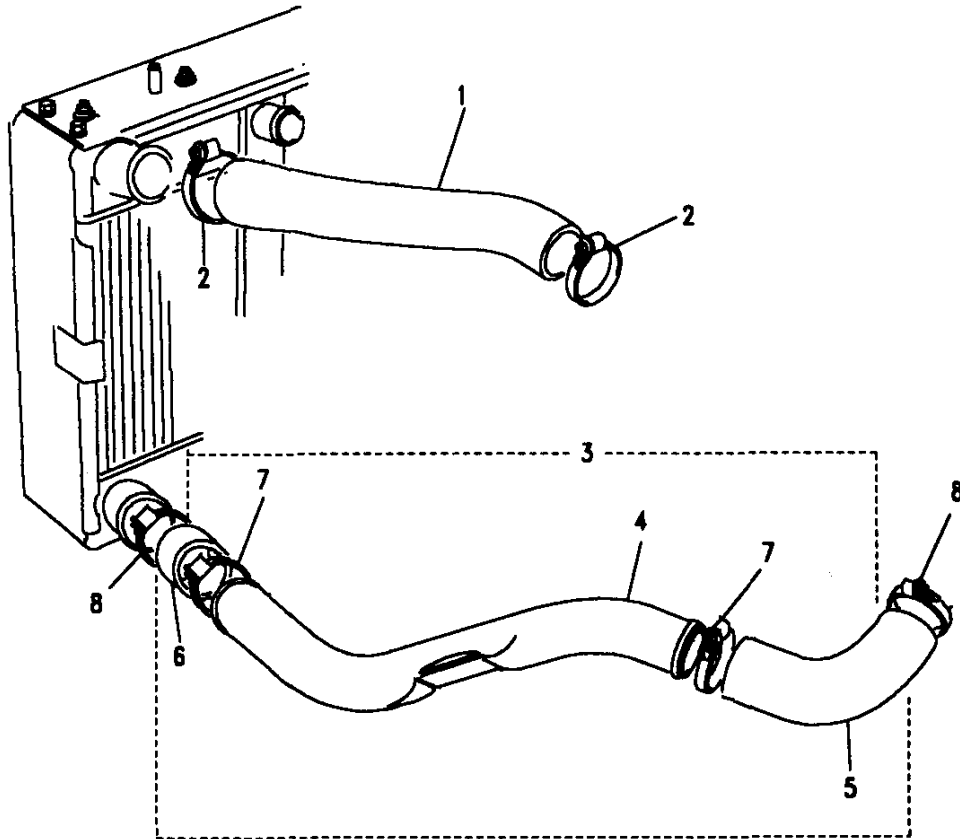
**Model** RANGE ROVER 1992 onwards  
**Page** BDLXAC4C

**COOLING SYSTEM - RADIATOR, INTERCOOLER & OIL COOLER - 300TDI**

**III. Part No. Description Qty Remarks**

**Intercooler hoses**

1	ESR3025	Hose intercooler/manifold	1
2	CN100708	Clip hose	2
3	ESR2910	Pipe assy i'cooler/turbo	1
4	ESR2911	Pipe turbo/intercooler	1
5	ESR2912	Hose turbo/pipe	1
6	ESR2913	Hose pipe/intercooler	1
7	CN100608	Clip	2
8	CN100608	Clip	2





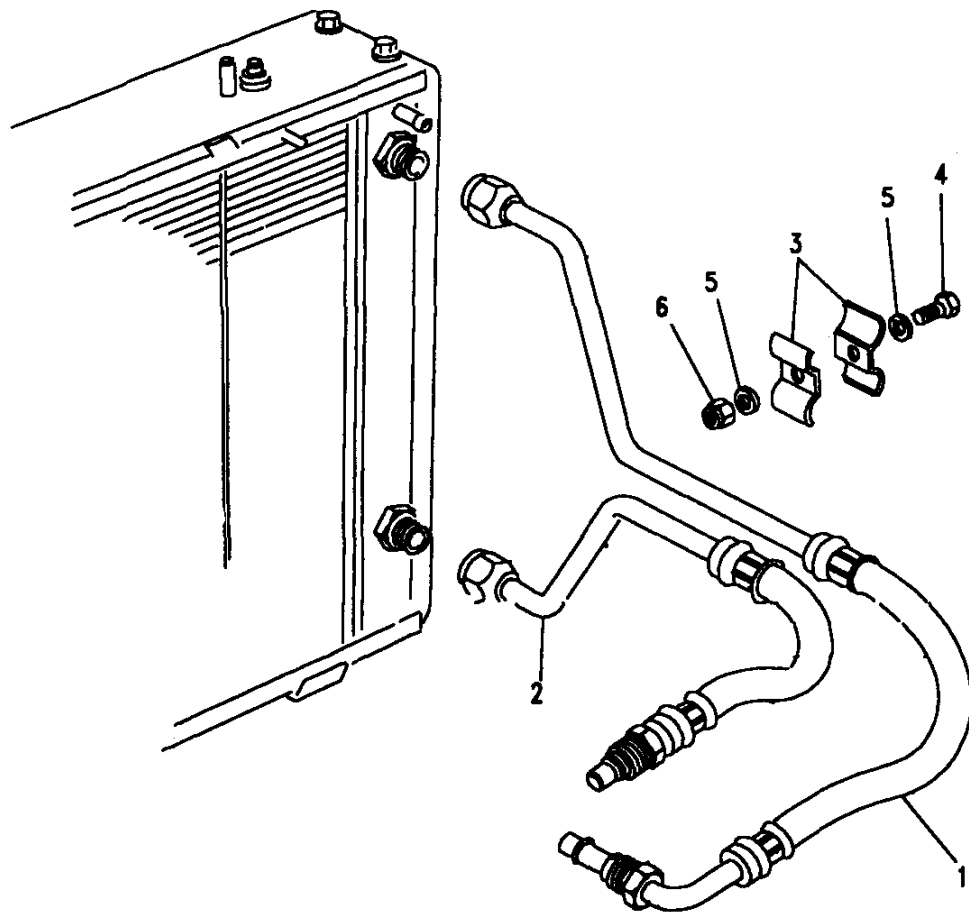
**Model** RANGE ROVER 1992 onwards  
**Page** BDLXAC4D

**COOLING SYSTEM - RADIATOR, INTERCOOLER & OIL COOLER - 300TDI**

III. Part No.	Description	Qty	Remarks
---------------	-------------	-----	---------

**Oil cooler hoses**

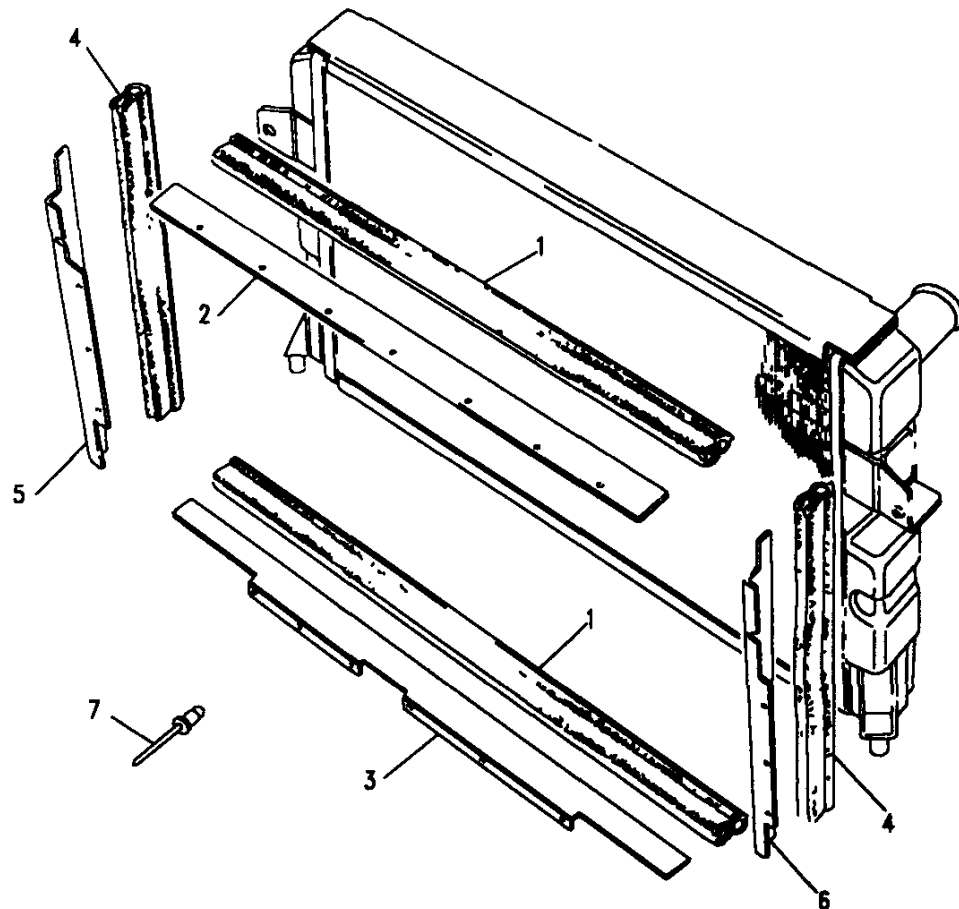
1	ESR1931	Pipe cooler to engine	1
2	ESR2844	Pipe engine to cooler	1
	ESR1594	O Ring	4
3	NTC6847	Clamp saddle	2
4	SH106161	Screw M6	1
5	WA106041	Washer M6	2
6	NY106041	Nut nyloc M6	1



Model RANGE ROVER 1992 onwards

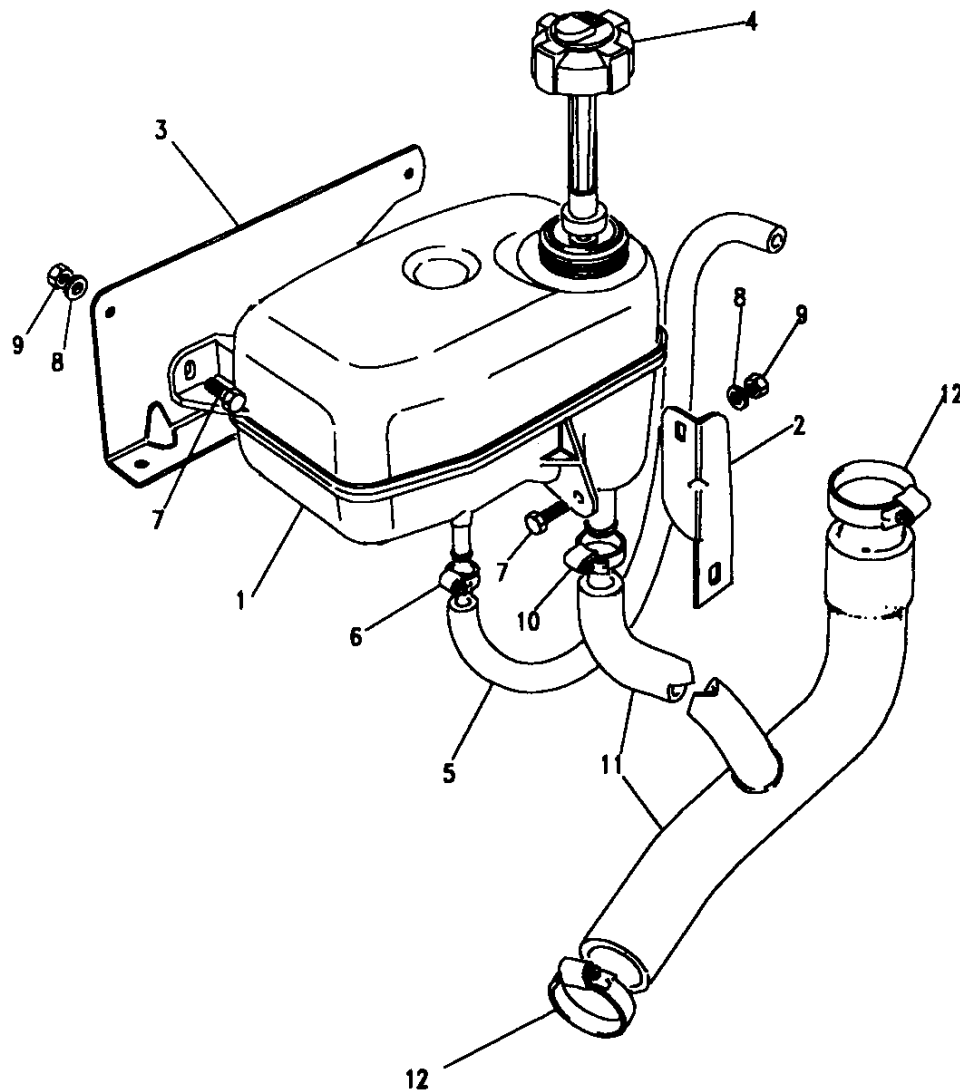
Page BDLXAE1A

COOLING SYSTEM - RADIATOR SEALS



III. Part No.	Description	Qty	Remarks
1 MUC6324	Seal	2	Top/Bottom
2 MRC218	Support radiator	1	Top
3 MRC206	Support radiator	1	Bottom
4 MUC4177	Seal	2	
<b>Non air conditioning</b>			
5 MUC6320	Support radiator RH	1	
6 MUC6383	Support radiator LH	1	
<b>With air conditioning</b>			
5 MUC6382	Support radiator RH	1	Note(1)
BTR8266	Support radiator RH	1	Note(2)
6 MUC6319	Support radiator LH	1	
7 RA608126L	Rivet	19	

Note(1) Up to KA641871  
 Note(2) From KA641872



**Model** RANGE ROVER 1992 onwards  
**Page** BDLXCA1A

**COOLING SYSTEM - EXPANSION TANK - V8 PI - UP TO LA647644**

III. Part No.	Description	Qty	Remarks
1 ESR63	Expansion tank	1	
2 NTC7847	Bracket mounting	1	
3 NTC7848	Bracket mounting	1	Note(1)
4 ESR1909	Bracket expansion tank	1	Note(2)
5 PRC7925	Sensor low level	1	
6 NTC7298	Hose	1	
7 CN100208L	Clip hose	2	
8 FS106167L	Screw	6	
9 WA106041L	Washer plain	6	
10 NV106041L	Nut	6	
11 CN100258L	Clip hose	1	
12 NTC7297	Hose bottom	1	
13 CN100508	Clip hose	2	

Note(1) Up to KA630677  
 Note(2) From KA630678

Model RANGE ROVER 1992 onwards

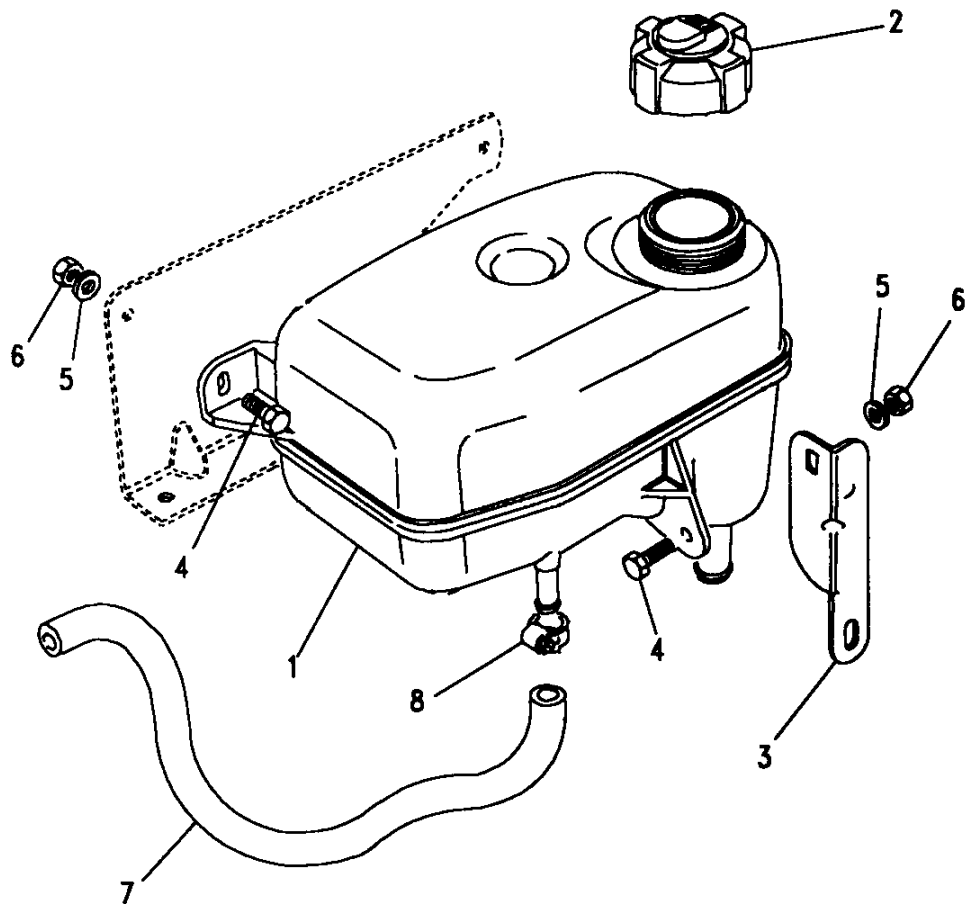
Page BDLXCA1B

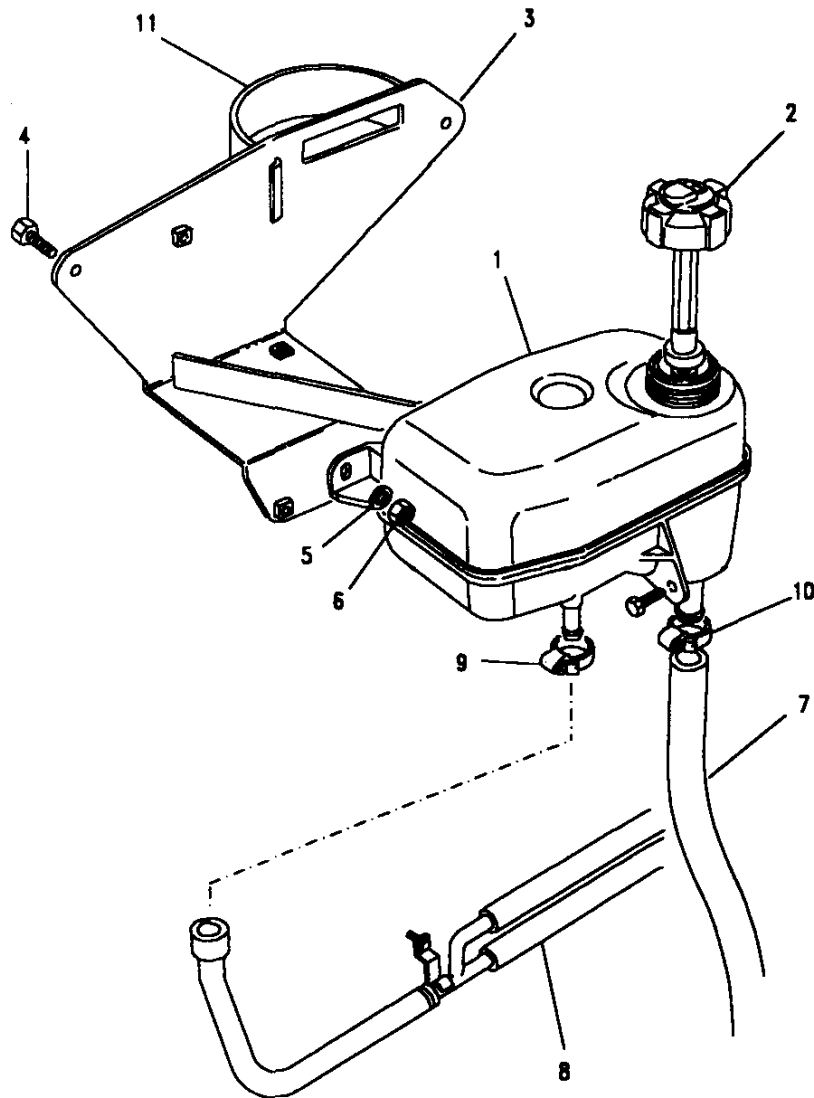
COOLING SYSTEM - EXPANSION TANK - V8 PI FROM MA647645

III. Part No. Description Qty Remarks

Expansion tank & fittings

Part No.	Description	Qty	Remarks
1	ESR63	1	Tank expansion
2	NTC7161	1	Cap pressure - 15psi
3	ESR2143	1	Bracket
4	FS106161L	4	Screw
5	WA106041L	4	Washer plain
6	NH106041L	4	Nut
7	NTC7298	1	Hose bleed radiator/tank
8	CN100168	2	Clip hose





**Model** RANGE ROVER 1992 onwards  
**Page** BDLXCA2A

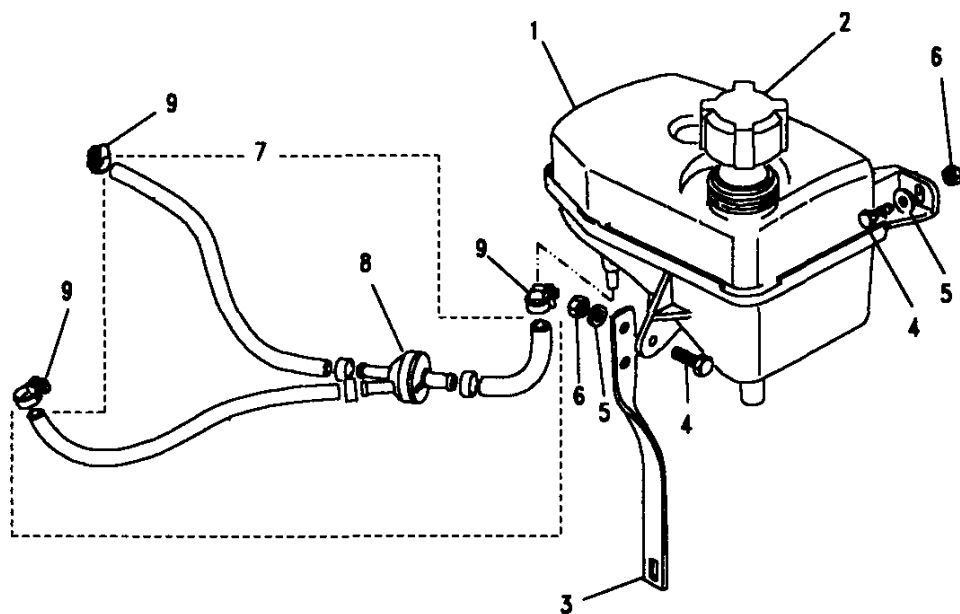
**COOLING SYSTEM - EXPANSION TANK - VM DIESEL & 200TDI**

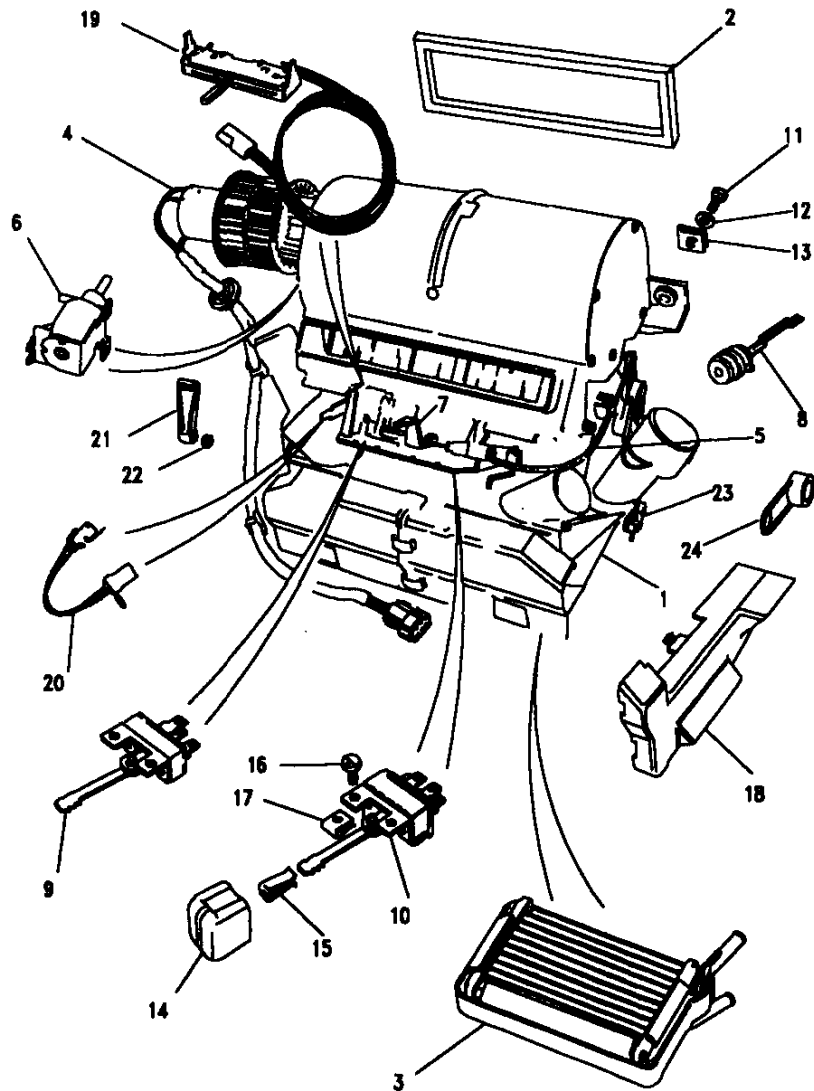
III. Part No.	Description	Qty	Remarks
1	ESR63	1	Expansion tank
2	PRC7925	1	Sensor low level
3	ESR357	1	Bracket mounting
	ESR1909	1	Bracket expansion tank
4	FS106167L	3	Screw
5	WA106041L	3	Washer
6	NH106041L	2	Nut
7	ESR185	1	Hose
8	ESR522	1	Hose bleed
9	CN100208L	2	Clip hose
10	CN100258L	1	Clip hose
11	NTC7480	1	Bracket reservoir

**Model** RANGE ROVER 1992 onwards  
**Page** BDLXCA3A

**COOLING SYSTEM - EXPANSION TANK - 300TDI**

III. Part No.	Description	Qty	Remarks
<b>Expansion tank &amp; fittings</b>			
1	ESR63 Tank expansion	1	
2	NTC7161 Cap pressure - 15psi	1	
3	ESR2143 Bracket	1	
4	FS106161L Screw	4	
5	WA106041L Washer plain	4	
6	NH106041L Nut	4	
7	ESR2661 Hose bleed radiator/tank	1	
8	ESR2348 Pump ejector	1	
9	CN100168 Clip hose	3	



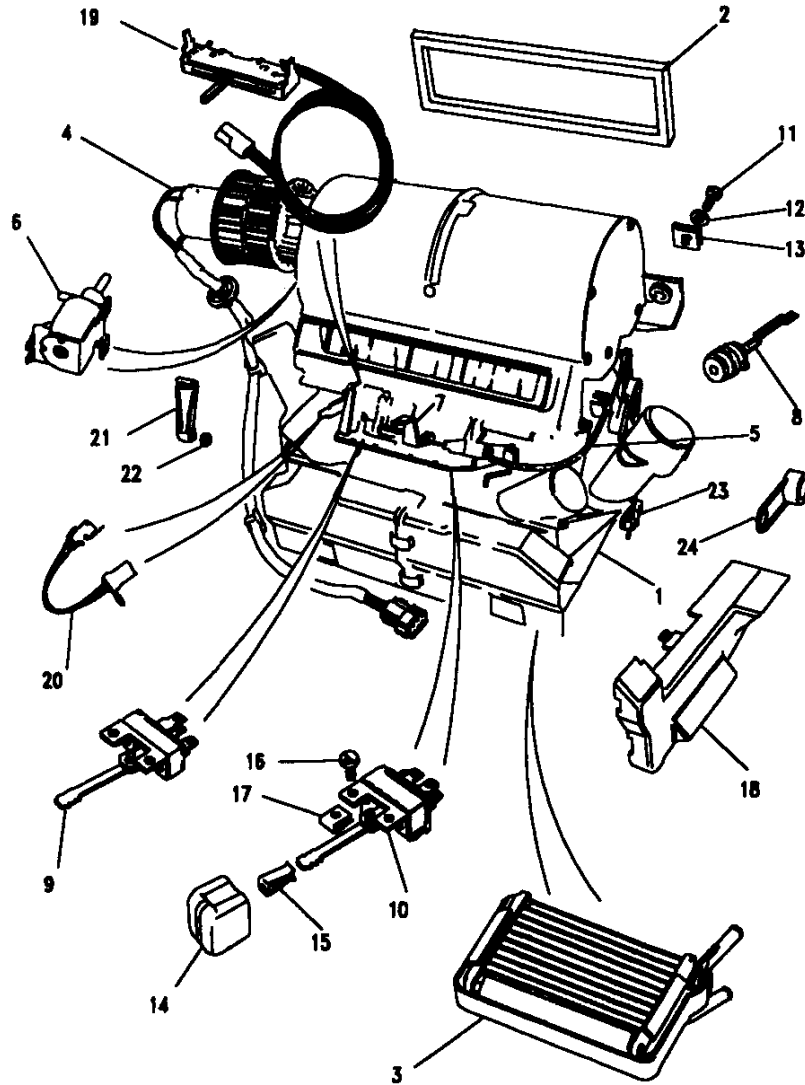


**Model** RANGE ROVER 1992 onwards  
**Page** BDLXGA1A

**HEATING SYSTEM - HEATER - V8 PI & VM DIESEL - UP TO LA647644**

Ill. Part No.	Description	Qty	Remarks
1	BTR4220	1	Note(3)
	BTR6373	1	Note(4)
2	MXC6889	1	Note(1)
	BTR3761	1	Note(2)
3	RTC6593	1	Note(1)
	STC770	1	Note(2)
4	RTC6693	1	Note(5)
5	RTC6695	1	
6	RTC6697	1	
7	STC550	1	
8	RTC6696	1	
9	PRC5436	2	Aircon
	PRC5436	1	Non aircon
10	PRC6314	1	Non aircon
11	MXC6676	4	

Note(1) Up to JA616110  
 Note(2) From JA616111  
 Note(3) Up to KA633030  
 Note(4) From KA633031  
 Note(5) Resistor cannot be serviced separately.



**Model** RANGE ROVER 1992 onwards  
**Page** BDLXGA1A

**HEATING SYSTEM - HEATER - V8 PI & VM DIESEL - UP TO LA647644**

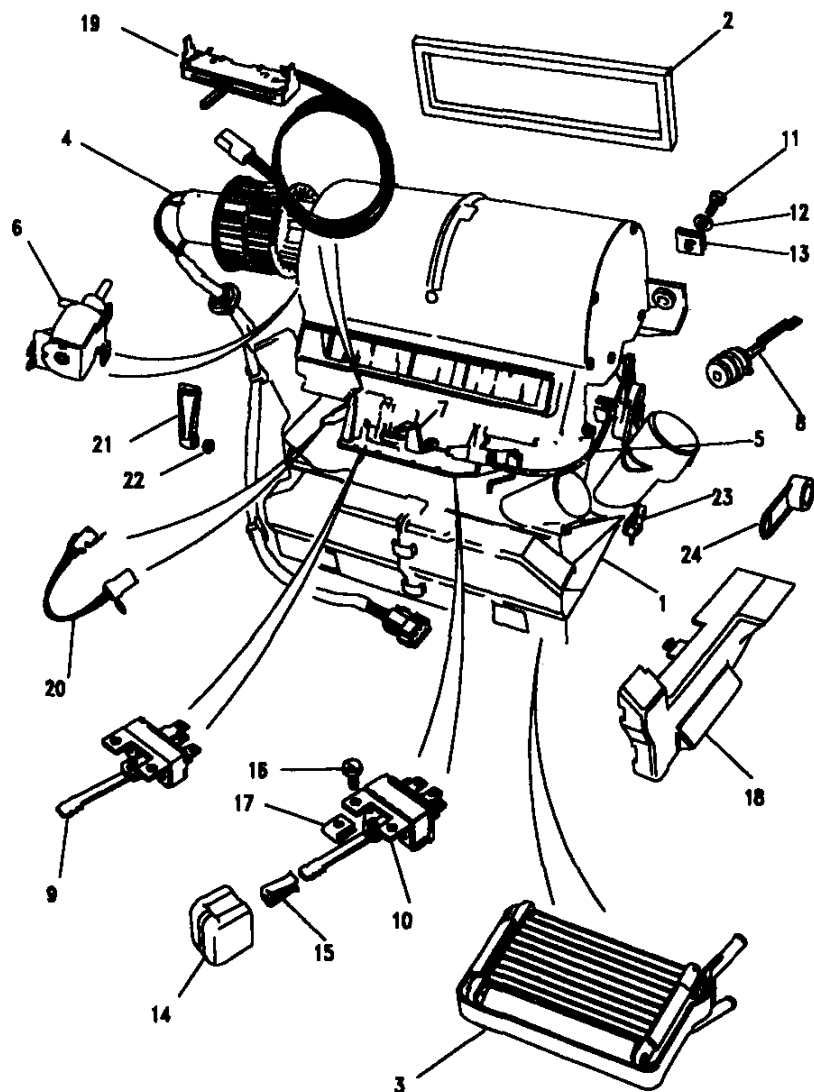
III. Part No.	Description	Qty	Remarks
12	WC108051L Washer plain	4	
13	AK616011 Nut spring	4	
14	MUC6347 Knob	5	
15	MUC8529 Clip	5	
16	AB606031L Screw	6	
17	79039 Nut	6	
18	BTR458 Deflector RH	1	
	BTR457 Deflector LH	1	
19	MXC5705 Potentiometer	1	Note(1)
	BTR3721 Potentiometer	1	Note(2)
20	PRC8155 Switch blower	1	
21	MXC5683 Link thermostat	1	
22	MXC7656 Fixing	1	
23	STC490 Clip - flap link lower	1	
24	UTP1519 Lever - flap link lower	1	

Note(1) Up to JA617613.  
 Note(2) From JA617614.



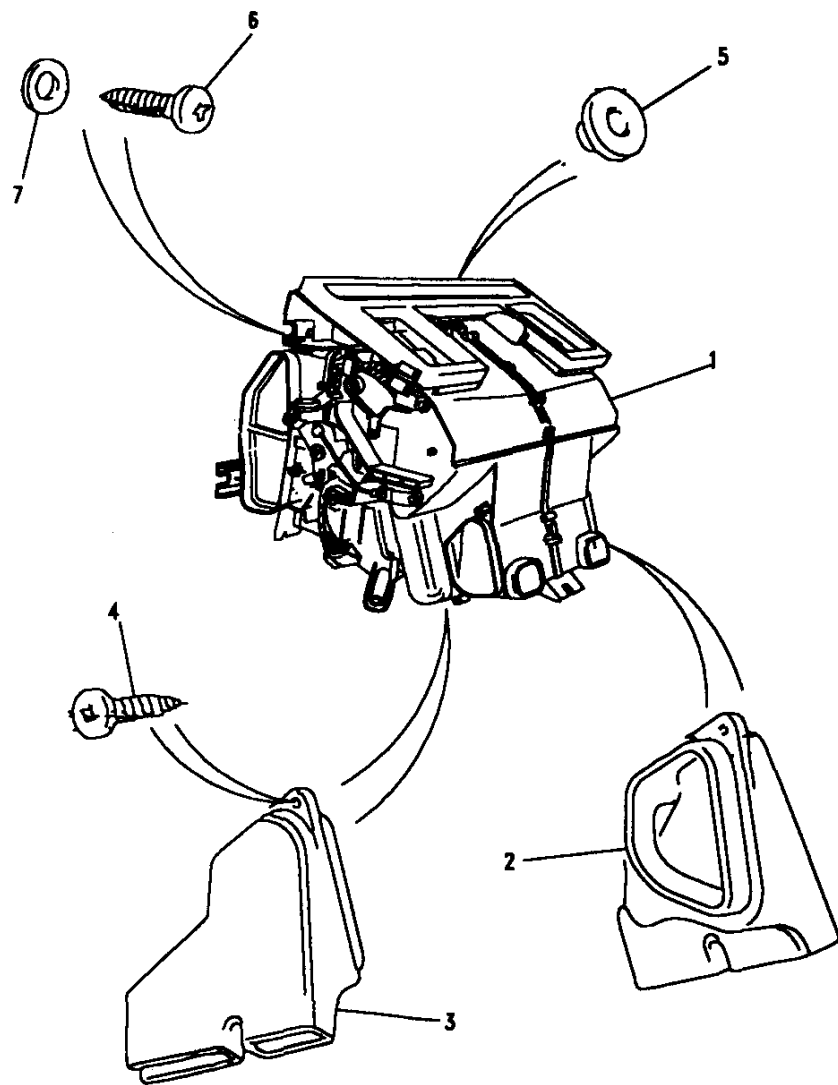
Model RANGE ROVER 1992 onwards  
 Page BDLXGA1A

HEATING SYSTEM - HEATER ASSEMBLY - 200TDI- UP TO LA647644



III. Part No.	Description	Qty	Remarks
1	STC864	1	c/w Flap valve
2	BTR3761	1	
3	STC770	1	
4	RTC6693	1	
5	RTC6695	1	
6	RTC6697	1	
7	RTC6694	1	
8	RTC6696	1	
9	PRC5436	2	Aircon
	PRC5436	1	Non aircon
10	PRC6314	1	Non aircon
11	MXC6676	4	
12	WC108051L	4	
13	AK616011	4	
14	MUC6347	5	
15	MUC6529	5	
16	AB606041	6	
17	AB616011	6	
18	BTR3780	1	
	BTR3781	1	
19	BTR3721	1	
20	PRC8155	1	
21	MXC5683	1	
22	MXC7656	1	
23	STC490	1	
24	UTP1519	1	

Note(1) Resistor cannot be serviced separately.

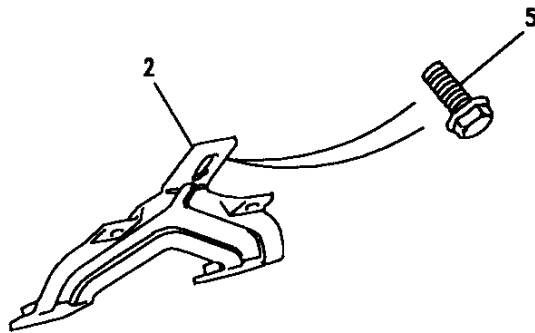


**Model** RANGE ROVER 1992 onwards  
**Page** BDLXGA1B

**HEATING SYSTEM - HEATER ASSEMBLY - FROM MA647645**

III. Part No.	Description	Qty	Remarks
<b>Heater unit non air con. vehicles</b>			
1	BTR6486	1	RHS
	BTR6487	1	LHS
2	BTR4002	1	Outlet RH footwell
3	BTR4003	1	Outlet LH footwell
4	CDU3609	2	Screw - footwell outlet
<b>Fixings heater to vehicle</b>			
5	BTR6741	1	Grommet heater location
6	DCP3970	5	Screw
7	WC108051	5	Washer

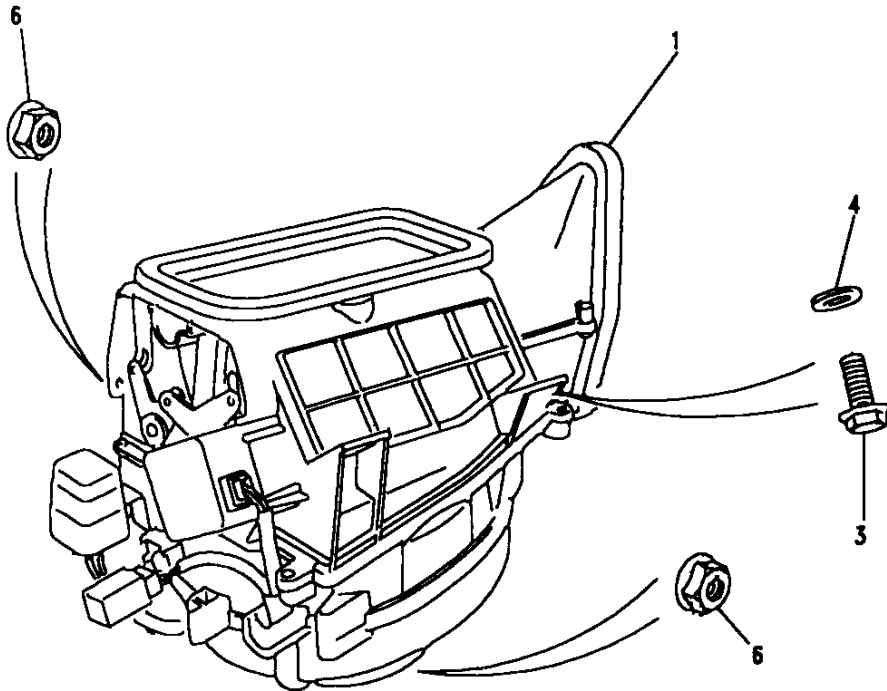
Note(1) For heater/air-con. unit see page 446



**Model** RANGE ROVER 1992 onwards  
**Page** BDLXGA1C

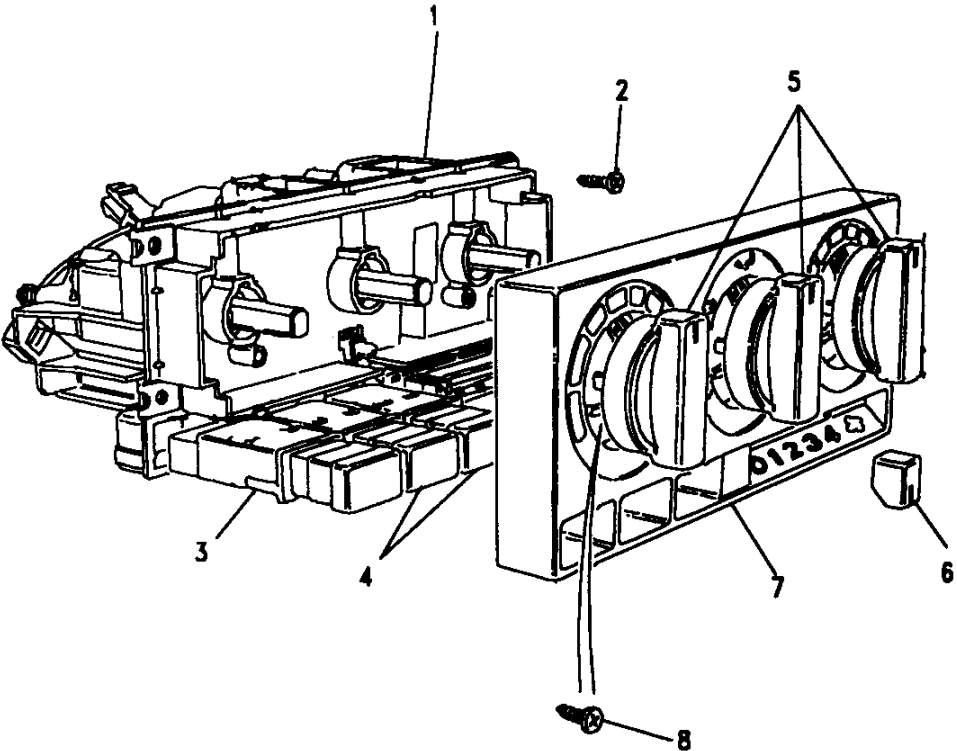
**HEATING SYSTEM - HEATER ASSEMBLY - FROM MA647645**

III. Part No.	Description	Qty	Remarks
<b>Blower unit</b>			
1 BTR6484	Blower unit	1	RHS
BTR6485	Blower unit	1	LHS
<b>Fixings blower to vehicle</b>			
2 BTR4884	Bracket support	1	
3 DCP3970	Screw	2	
4 WC108051	Washer	2	
5 DCP3970	Screw	1	
6 ADU7048	Nut M8 - blower to floor	2	



**Model** RANGE ROVER 1992 onwards  
**Page** BDLXGA2B

**HEATING SYSTEM - HEATER ASSEMBLY - FROM MA647645**

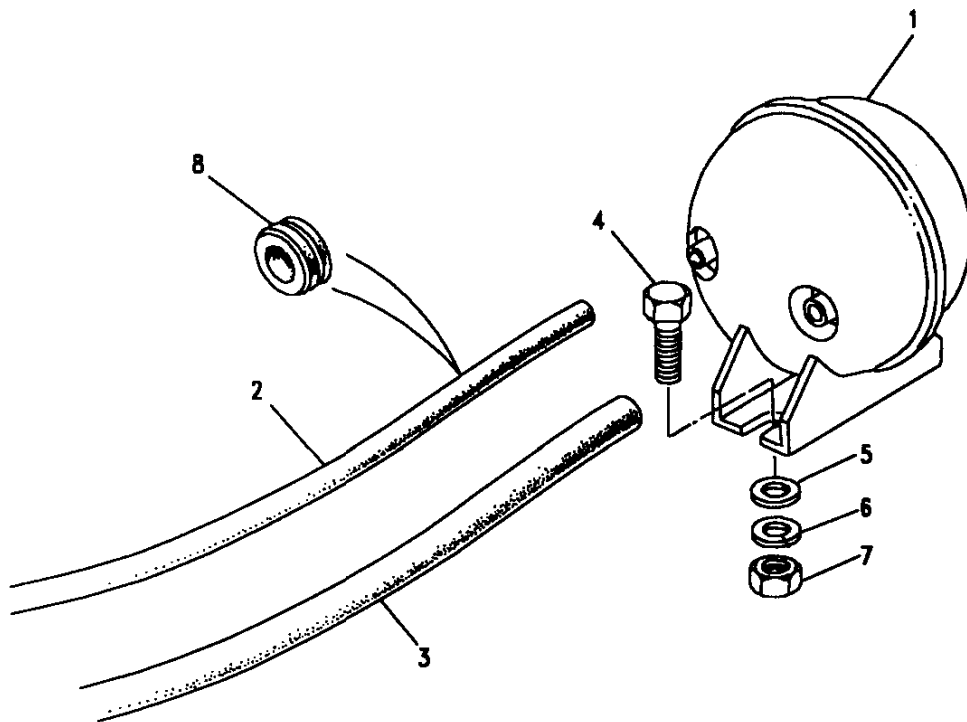


III. Part No.	Description	Qty	Remarks
<b>Heater controls</b>			
1	BTR6490	1	Control assembly
2	AB608051	4	Screw - control assembly
3	STC1863	1	Switch - recirculation
	STC1877	1	Bulb & holder
	STC1878	1	Bulb & holder
		1	Orange
		1	Green
4	BTR6492	2	Plate blanking
5	BTR8930	3	Control knob rotary
6	BTR6494	1	Control knob sliding
7	BTR6495	1	Plate cover with graphics
8	AB608031	2	Screw - cover plate

**Model** RANGE ROVER 1992 onwards  
**Page** BDLXIA1A

**HEATING SYSTEM - VACUUM TANK AND HOSES**

III. Part No.	Description	Qty	Remarks
1 MUC1679	Tank vacuum	1	
2 BTR1237	Hose vacuum	1	
3 BTR1286	Hose vacuum	1	
4 SE106161L	Screw	2	
5 WA106041L	Washer plain	4	
6 WL106041	Washer spring	2	
7 NH106041L	Nut	2	
8 MWC9947	Grommet	1	

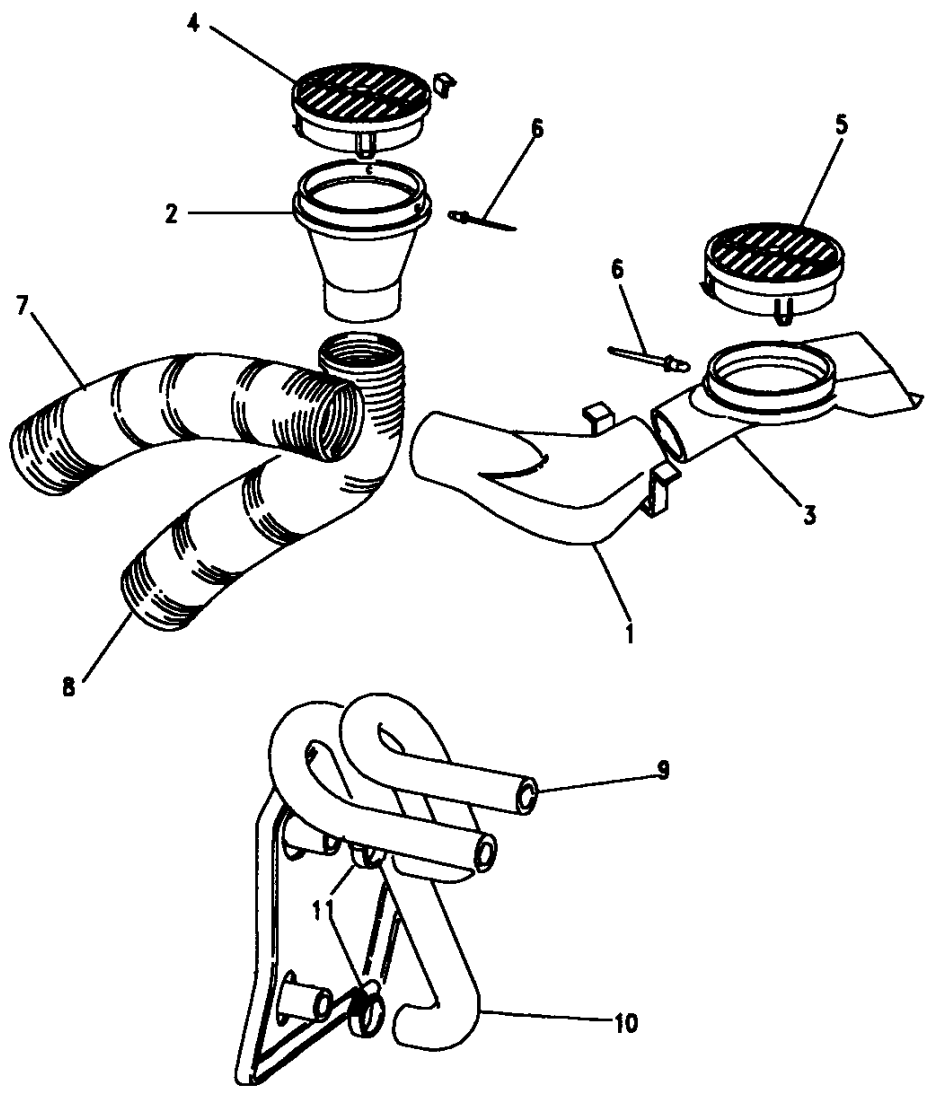


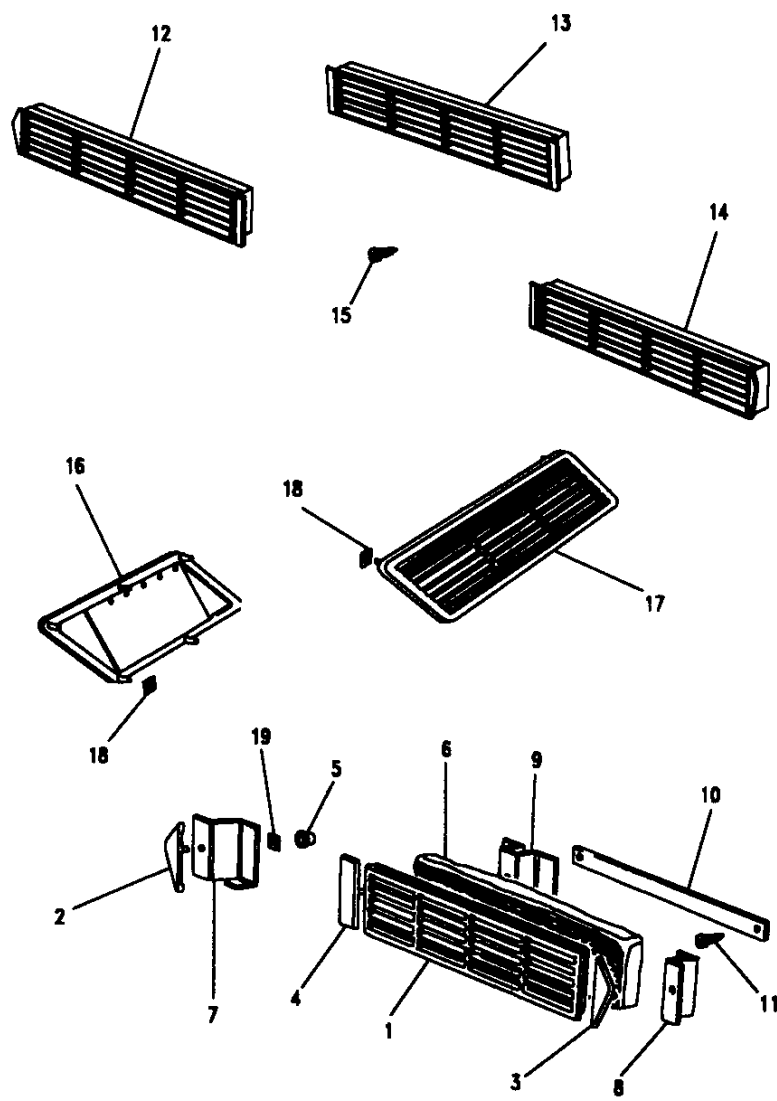
**Model** RANGE ROVER 1992 onwards  
**Page** BDLXIA2A

**HEATING SYSTEM - DEMISTERS**

III. Part No.	Description	Qty	Remarks
1 390851	Elbow RH	1	
390852	Elbow LH	1	
2 390695	Connector	2	
3 BTR456	Connector RH	1	
BTR455	Connector LH	1	
4 MXC2043RUN	Vent demister inner	2	
5 MTC9969RUN	Vent demister outer LH	1	
MTC9970RUN	Vent demister outer RH	1	
6 78788	Rivet	8	
7 MWC2600	Hose demister	1	
8 390829	Hose demister inner	2	
9 BTR217	Hose heater outlet	1	
10 BTR216	Hose heater inlet	1	
11 CN100308L	Clip hose	4	

Note(1) RUN - Bokhara

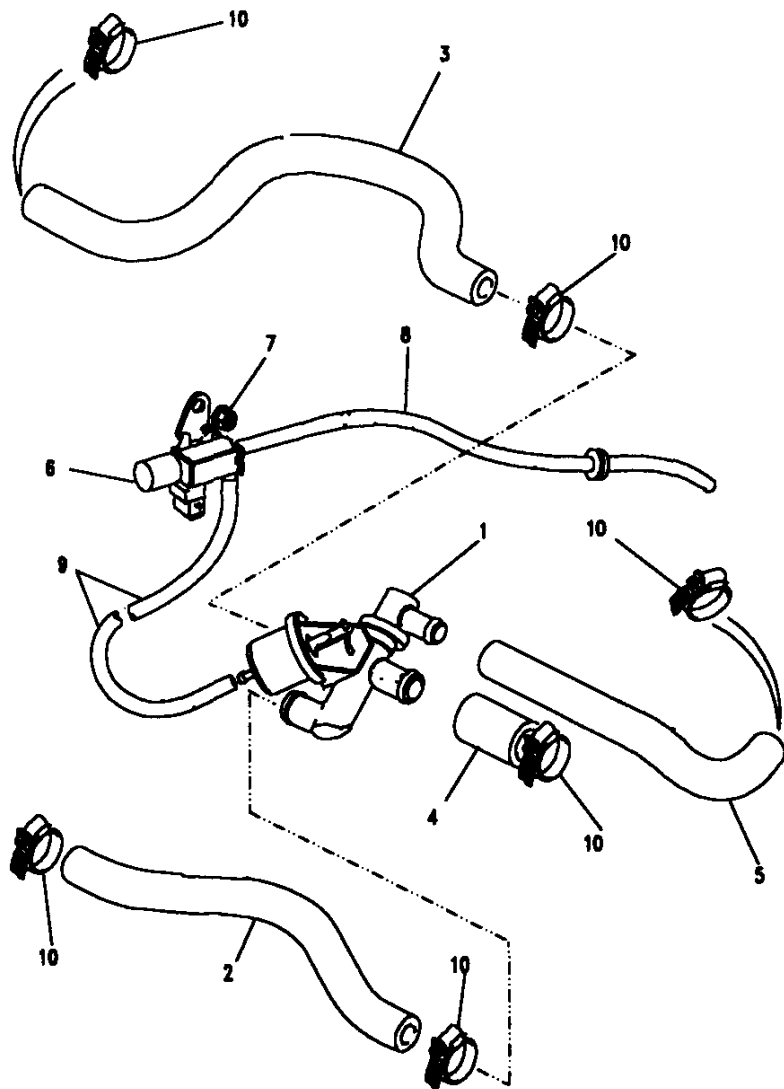




**Model** RANGE ROVER 1992 onwards  
**Page** BDLXIA3A

**HEATING SYSTEM - FRESH AIR SYSTEM**

III. Part No.	Description	Qty	Remarks
<b>Up to KA631353</b>			
1	390607	3	Grille
2	390608	1	Capping RH
3	390609	1	Capping LH
4	390610	2	Capping
5	AFU3075	4	Retainer
6	MXC3910	3	Pad
7	391236	1	Bracket support RH
8	391237	1	Bracket support LH
9	391235	3	Bracket support
10	392202	3	Strip
11	AB608031L	6	Screw
<b>From KA631354</b>			
12	BTR4442	1	Vent LH
13	BTR5382	1	Vent Centre
14	BTR5383	1	Vent RH
15	DA608061	2	Screw
<b>All variants</b>			
16	MUC2180	1	Vent RH
	MUC2181	1	Vent LH
17	390515	1	Vent RH
	390516	1	Vent LH
	RTC6698	1	Vent RH
	RTC6699	1	Vent LH
18	AN604041L	30	Clip



**Model** RANGE ROVER 1992 onwards  
**Page** BDLXIA1B

**HEATING SYSTEM - HEATER HOSES - FROM MA647645**

III. Part No.	Description	Qty	Remarks
<b>V8</b>			
1 BTR4022	Valve water control	1	
2 BTR8726	Hose - heater to valve	1	
3 BTR8727	Hose - valve to heater	1	
4 BTR4016	Hose - engine to valve	1	
5 BTR4008	Hose - valve to engine	1	
6 BTR4190	Valve vacuum solenoid	1	
7 NTC7134	Nut - valve fixing	1	
8 BTR4025	Pipe vacuum & valve assy	1	
9 BTR4026	Pipe sol'd to water valve	1	
10 CN100308	Clip hose	A/R	

Note(1) Standard hoses and piping also used for AIR CON. vehicles.

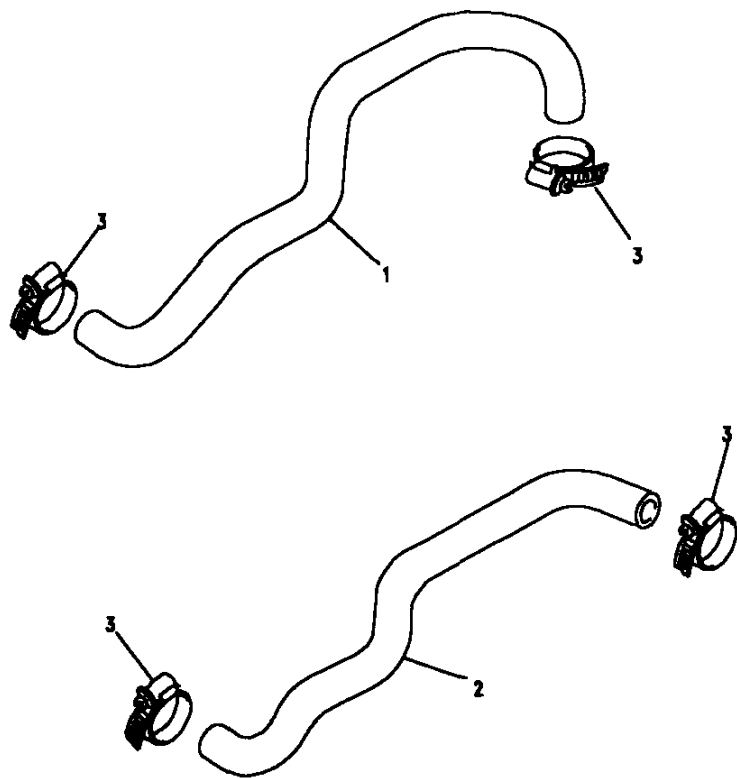


**Model** RANGE ROVER 1992 onwards  
**Page** BDLXIA1D

**HEATING SYSTEM - HEATER HOSES - FROM MA647645**

III. Part No.	Description	Qty	Remarks
<b>300TDI</b>			
1 BTR9616	Hose heater inlet	1	
2 BTR9617	Hose heater outlet	1	
3 CN100308	Clip hose	A/R	

Note(1) Standard hoses and piping also used for AIR CON. vehicles.

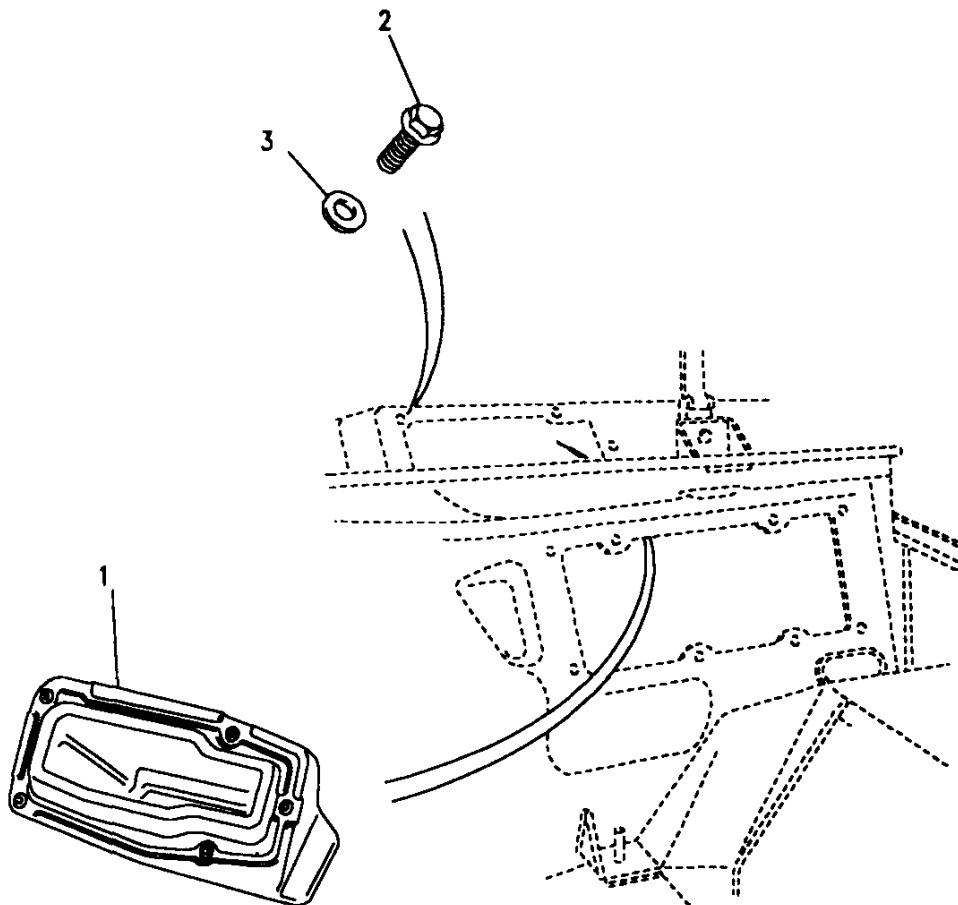


**Model** RANGE ROVER 1992 onwards  
**Page** BDLXIA2B

**HEATING SYSTEM - HEATER DUCTING FRONT - FROM MA647645**

III. Part No.	Description	Qty	Remarks
1 BTR3998	Duct air intake	1	RHS
BTR3999	Duct air intake	1	LHS
2 GL106251	Screw M6 - air duct	5	
3 WJ106001L	Washer M6 - air duct	5	

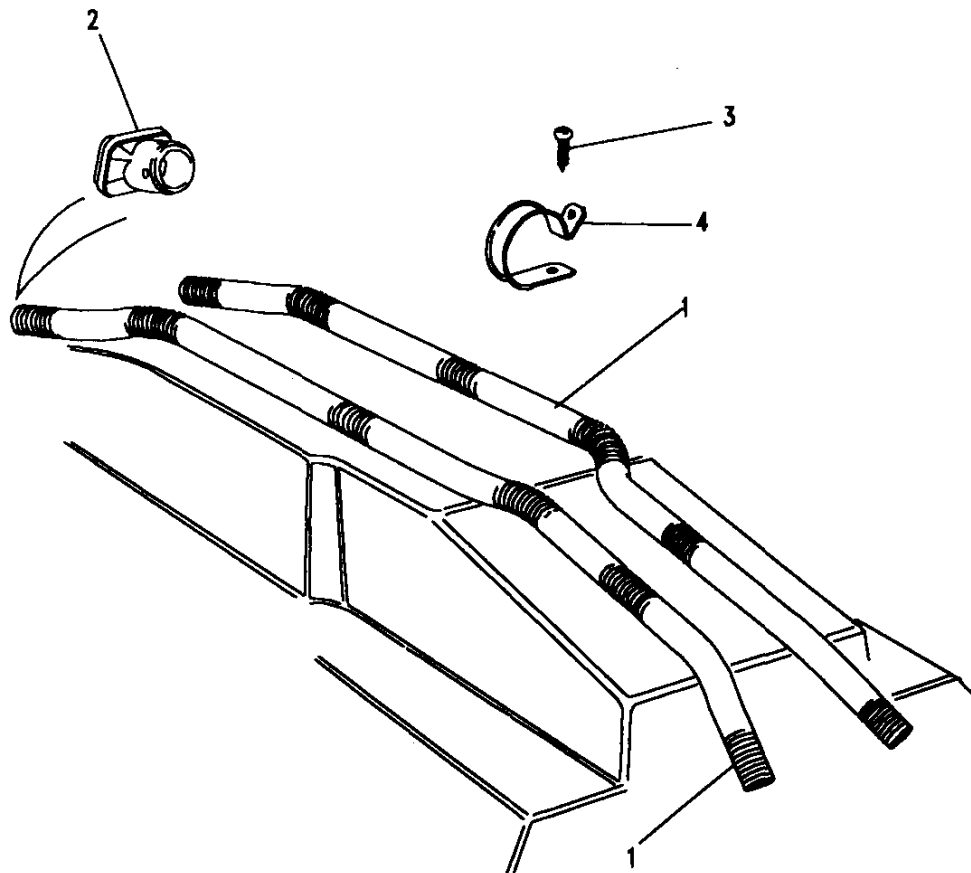
Note(1) Standard ducting also used for AIR CON. vehicles.



**Model** RANGE ROVER 1992 onwards  
**Page** BDLXIC1A

**HEATING - HEATER DUCTING REAR - UP TO LA647644**

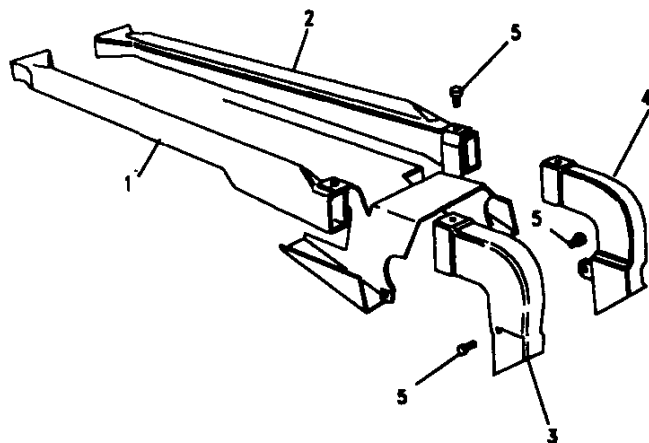
III. Part No.	Description	Qty	Remarks
1 MUC2481	Pipe heater rear	2	
2 BTR276	Adaptor	2	
3 AW608101L	Screw	8	
4 MUC6310	Clip	8	

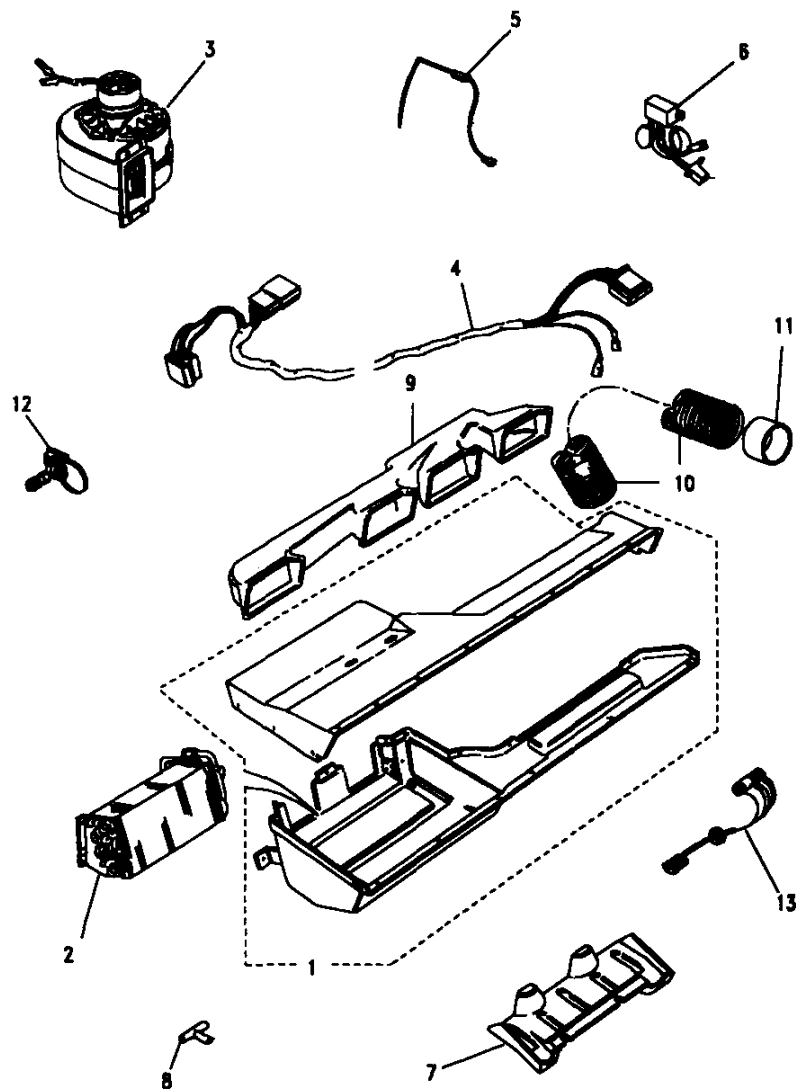


**Model** RANGE ROVER 1992 onwards  
**Page** BDLXIC2A

**HEATING - HEATER DUCTING REAR - FROM MA847645**

iii. Part No.	Description	Qty	Remarks
1 BTR4430	Duct air RH	1	
2 BTR4431	Duct air LH	1	
3 BTR4484	Outlet RH footwell	1	
4 BTR4485	Outlet LH footwell	1	
5 DA610044	Screw	4	





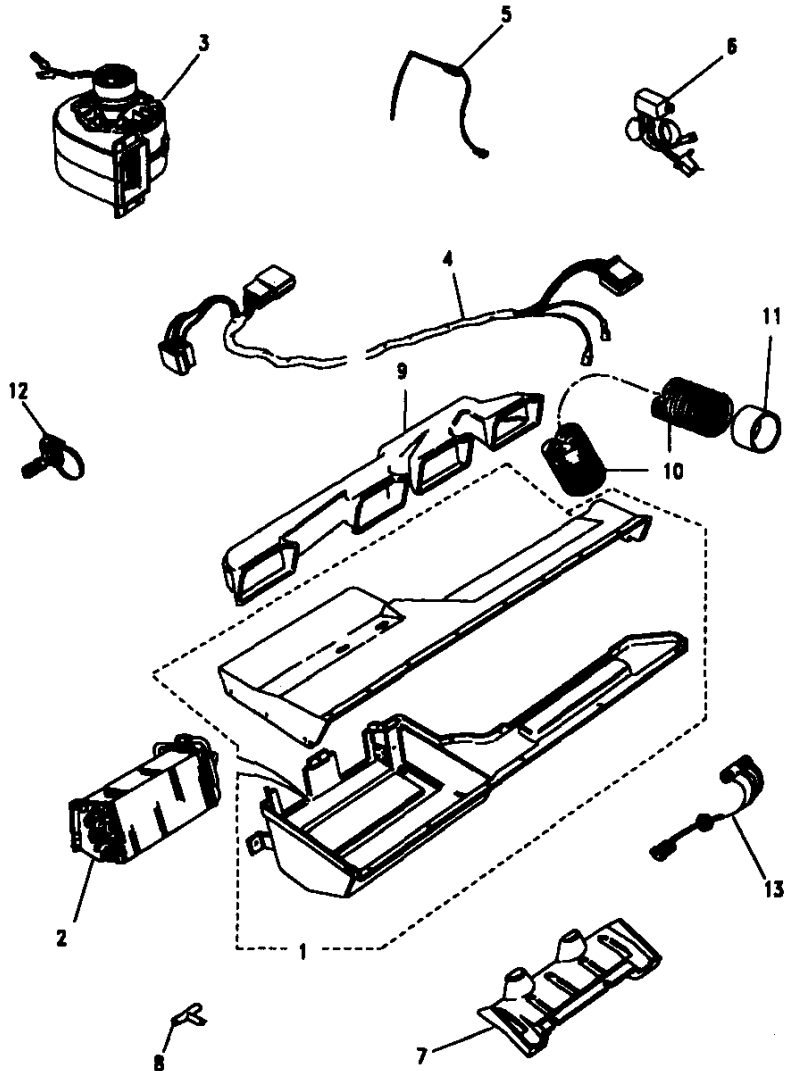
**Model** RANGE ROVER 1992 onwards

**Page** BDLXKA1A

**AIR CONDITIONING - PRINCIPAL COMPONENTS - UP TO LA647644**

III. Part No.	Description	Qty	Remarks
1	MXC7234RUN MXC7233RUN	1 1	RHS LHS
2	RTC6138 RTC6139	1 1	RHS LHS
<b>Right hand steering</b>			
3	RTC6744 BTR5322	2 2	Note(1) Note(2)
<b>Left hand steering</b>			
	RTC6745 BTR5321	2 2	Note(1) Note(2)
<b>All variants</b>			
4	RTC7407	1	
5	MXC5707 BTR3753	1 1	Note(1) Note(2)
6	MXC5706 STC1799	1 1	Note(1) Note(2)

Note(1) Up to JA617613  
 Note(2) From JA617614  
 Note(3) For wood facia rail see page 712 - 715  
 Note(4) For plastic facia rail see page 690 - 692

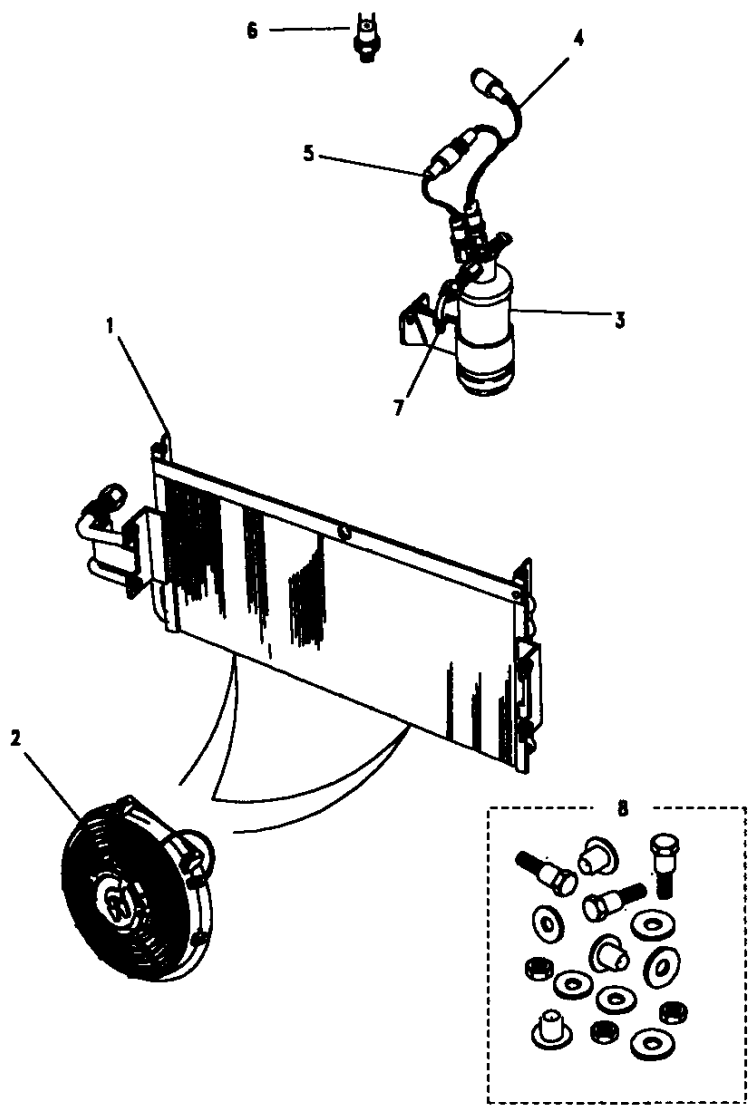


**Model** RANGE ROVER 1992 onwards  
**Page** BDLXKA1A

**AIR CONDITIONING - PRINCIPAL COMPONENTS - UP TO LA647644**

III. Part No.	Description	Qty	Remarks
7	MXC7032	1	RHS
	MXC7159	1	LHS
8	AEU1403	1	Note(1)
9	MXC3874	1	RHS
	MXC3875	1	LHS
10	MUC8842	1	
11	AEU3057	1	
12	RTC6143	1	
13	PRC8010	1	

Note(1) Drain tubing is not serviced use standard 12.5mm Hose

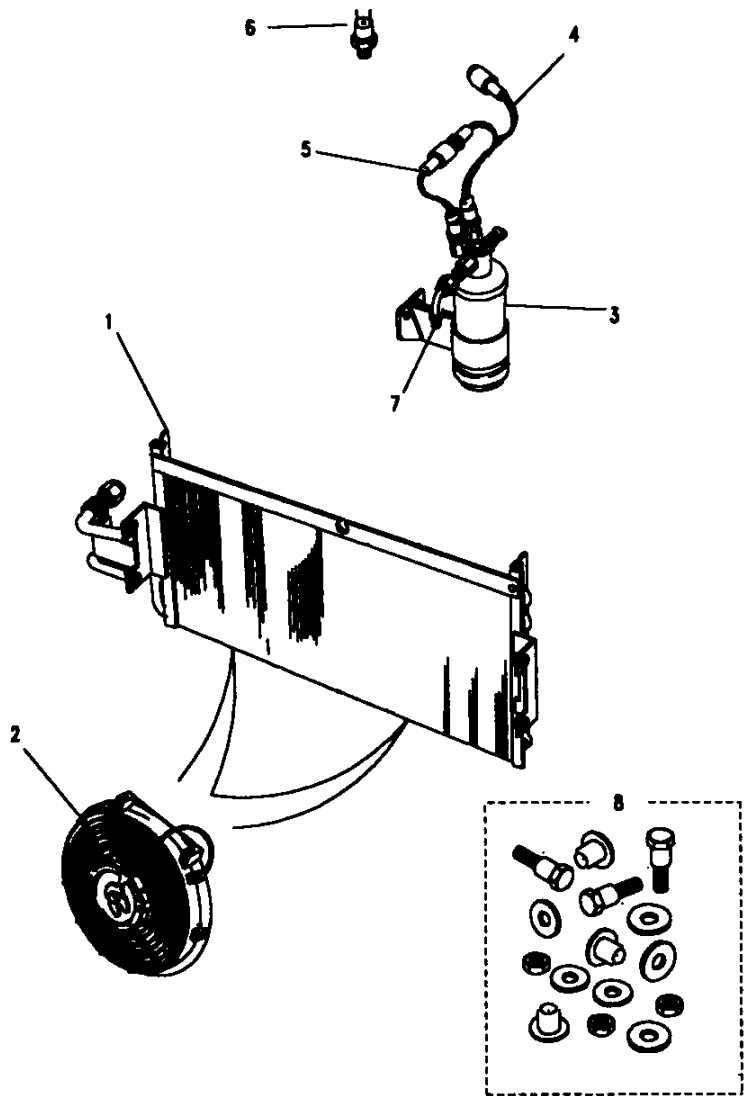


**Model** RANGE ROVER 1992 onwards  
**Page** BDLXKA2A

**AIR CONDITIONING - PRINCIPAL COMPONENTS - UP TO LA647644**

III. Part No.	Description	Qty	Remarks
<b>Petrol only</b>			
1	MXC7252	1	Note(1)
	BTR3698	1	Note(2)
<b>VM Diesel only</b>			
	MXC7253	1	Note(1)
	BTR3699	1	Note(2)
<b>TDI only</b>			
	BTR3698	1	
<b>All variants</b>			
2	MXC7269	2	Note(1)
	BTR3700	2	Note(2)
<b>Petrol only</b>			
3	MXC7258	1	Note(1)
	BTR3717	1	Note(2)
<b>Diesel only</b>			
	MXC7259	1	Note(1)
	BTR3719	1	Note(2)

Note(1) Up to JA617613  
 Note(2) From JA617614



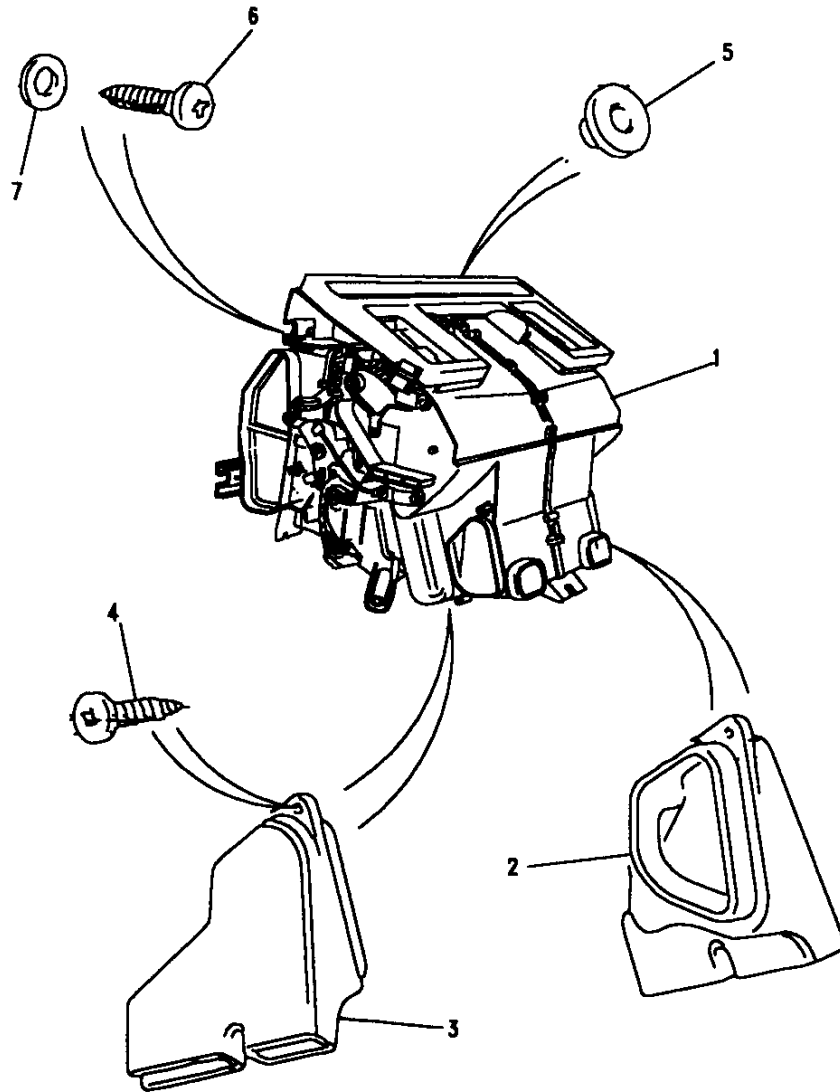
**Model** RANGE ROVER 1992 onwards  
**Page** BDLXKA2A

**AIR CONDITIONING - PRINCIPAL COMPONENTS - UP TO LA647644**

III. Part No.	Description	Qty	Remarks
<b>All variants</b>			
4	MXC7261	1	)
5	MXC7260	1	)Note(1)
6	BTR3720	1	Note(2)
7	MXC7257	1	Note(1)
	BTR3630	1	Note(2)
8	BTR5099	1	

Note(1) Up to JA617613  
 Note(2) From JA617614

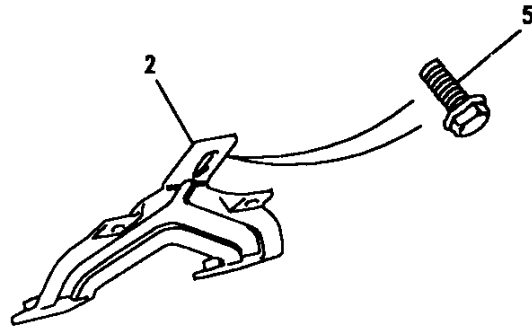




**Model** RANGE ROVER 1992 onwards  
**Page** BDLXKA2B

**AIR CONDITIONING - FRONT AIR CONDITIONING SYSTEM - FROM MA647645**

III. Part No.	Description	Qty	Remarks
<b>Air conditioning unit</b>			
1	BTR6488	1	RHS
	BTR6489	1	LHS
2	BTR4002	1	Outlet RH footwell
3	BTR4003	1	Outlet LH footwell
4	CDU3609	2	Screw - footwell outlet
<b>Fixings air con unit to vehicle</b>			
5	BTR6741	1	Grommet unit location
6	DCP3970	5	Screw
7	WC108051	5	Washer



**Model** RANGE ROVER 1992 onwards  
**Page** BDLXKA2C

**AIR CONDITIONING - FRONT AIR CONDITIONING SYSTEM - FROM MA647645**

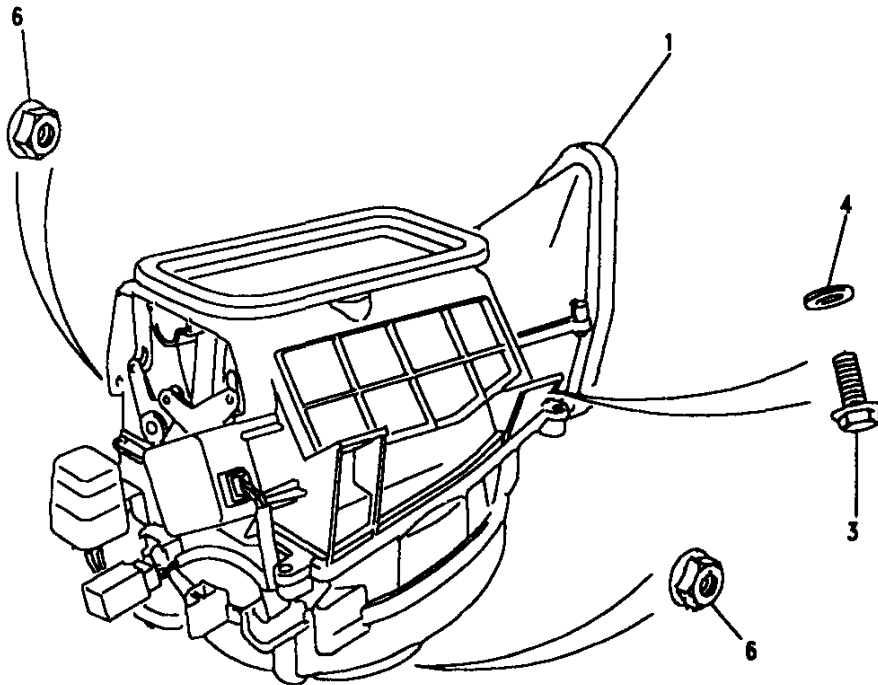
**III. Part No. Description Qty Remarks**

**Blower unit**

1	BTR6484	Blower unit	1	RHS
	BTR6485	Blower unit	1	LHS

**Fixings blower to vehicle**

2	BTR4884	Bracket support	1	
3	DCP3970	Screw	2	
4	WC108051	Washer	2	
5	DCP3970	Screw	1	
6	ADU7048	Nut M8 - blower to floor	2	



LAND ROVER	
A/C	

5

**Model** RANGE ROVER 1992 onwards  
**Page** BDLXKA2D

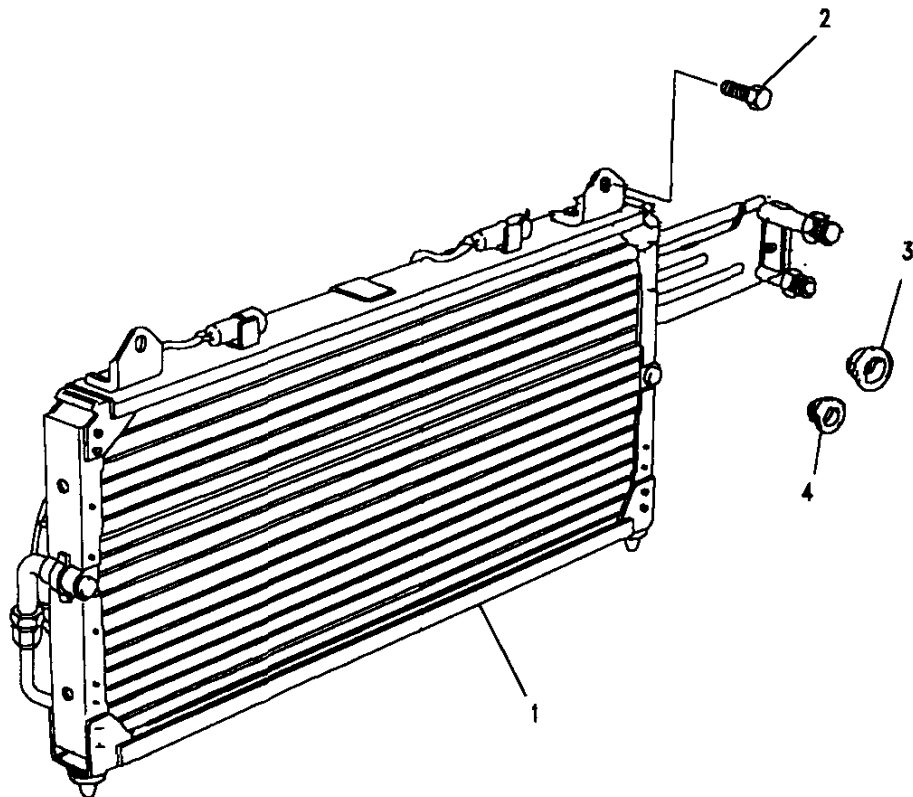
**AIR CONDITIONING - FRONT AIR CONDITIONING SYSTEM - FROM MA647645**

**III. Part No. Description Qty Remarks**

**Air conditioning principal components**

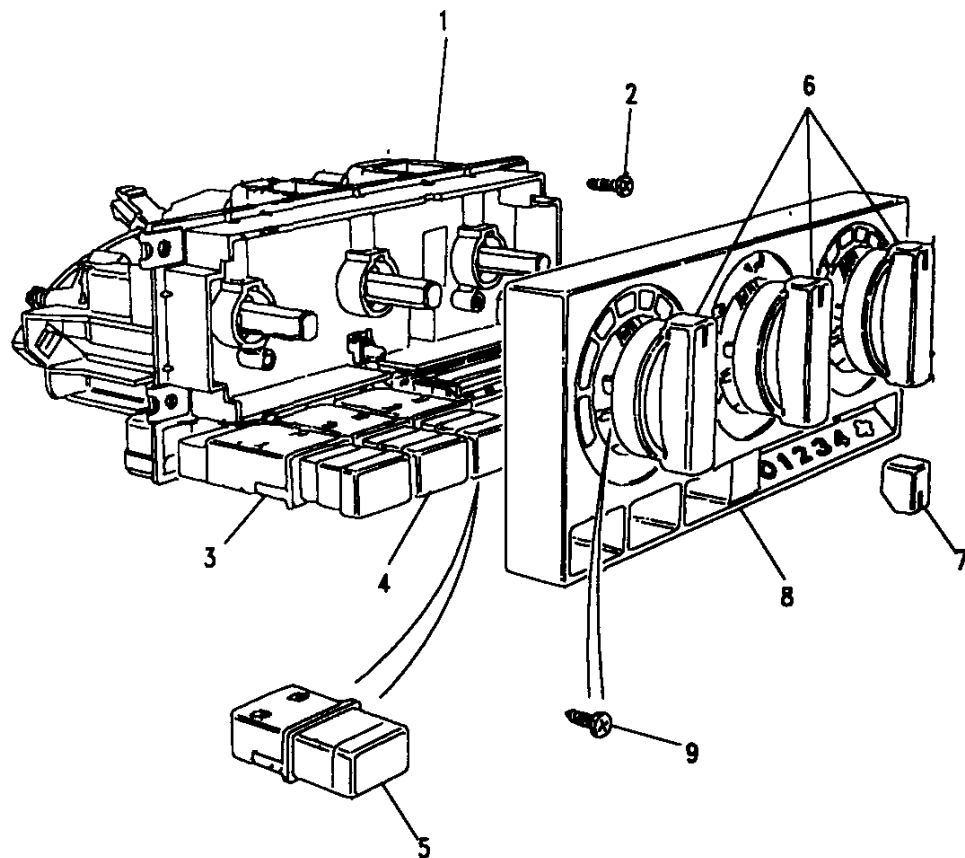
1	BTR6632	Condenser & fan assembly	1	Note(1)
2	HTG10014	Bolt M8 - condenser	2	
3	CLP6235L	Grommet sealing - suction	1	
4	CLP6234L	Grommet sealing - liquid	1	
5	AWR1322	Label warning CFC free AC	1	

Note(1) Includes receiver drier canister.

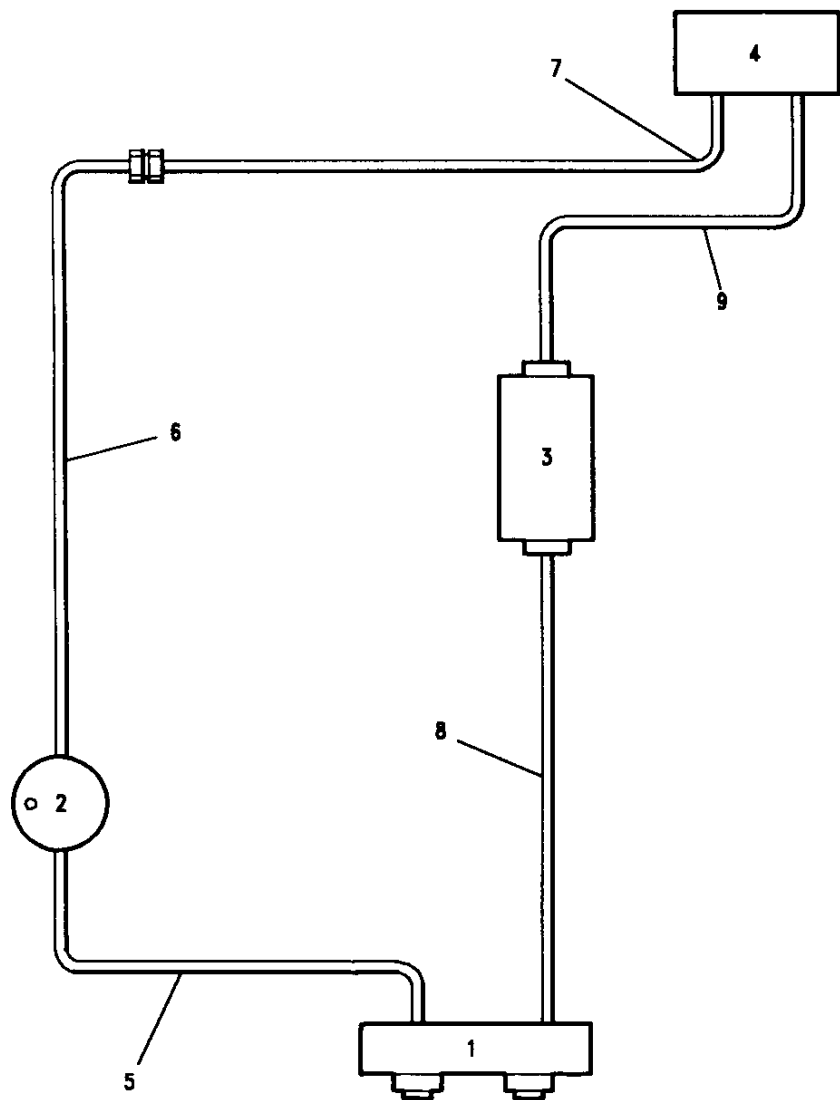


**Model** RANGE ROVER 1992 onwards  
**Page** BDLXKA2E

**AIR CONDITIONING - FRONT AIR CONDITIONING SYSTEM - FROM MA847645**



III. Part No.	Description	Qty	Remarks
<b>Air conditioning controls</b>			
1	BTR6490 Control assembly	1	
2	AB608051 Screw control assembly	4	
3	STC1863 Switch recirculation	1	
4	BTR6491 Switch front air con.	1	
	STC1877 Bulb & holder		A/R Orange
	STC1878 Bulb & holder		A/R Green
5	BTR6492 Plate blanking	1	
6	BTR8930 Control knob rotary	3	
7	BTR6494 Control knob sliding	1	
8	BTR6495 Plate cover with graphics	1	
9	AB606031 Screw - cover plate	2	

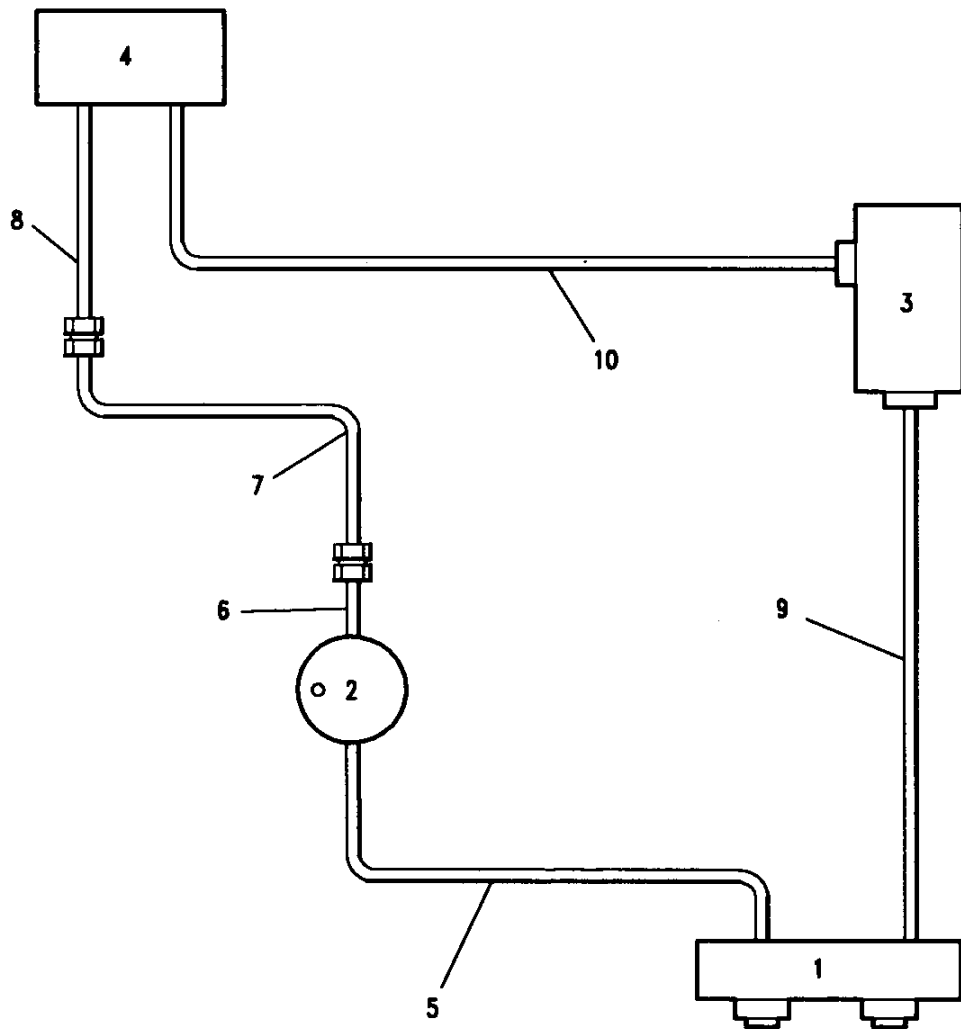


**Model** RANGE ROVER 1992 onwards  
**Page** BDLXMA2A

**AIR CONDITIONING - HOSE LAYOUT - PI ONLY - UP TO LA647644**

III. Part No.	Description	Qty	Remarks
<b>RHS only</b>			
1	Condenser	1	)
2	Receiver drier	1	)For
3	Compressor	1	)Reference
4	Evaporator	1	)Only
<b>Condenser to Receiver drier</b>			
5	BTR2564 Hose assembly	1	
<b>Receiver drier to Evaporator</b>			
6	MXC7256 Hose assembly	1	
7	MXC7242 Hose assembly	1	
<b>Condenser to Compressor</b>			
8	BTR2548 Hose assembly	1	Note(1)
	BTR3710 Hose assembly	1	Note(2)
	MXC6269 Service valve	1	
	AEU1627 O ring	1	
<b>Compressor to Evaporator</b>			
9	BTR2580 Hose assembly	1	
	MXC6275 Service valve	1	
	AEU1628 O ring	1	

Note(1) Up to JA617613  
 Note(2) From JA617614

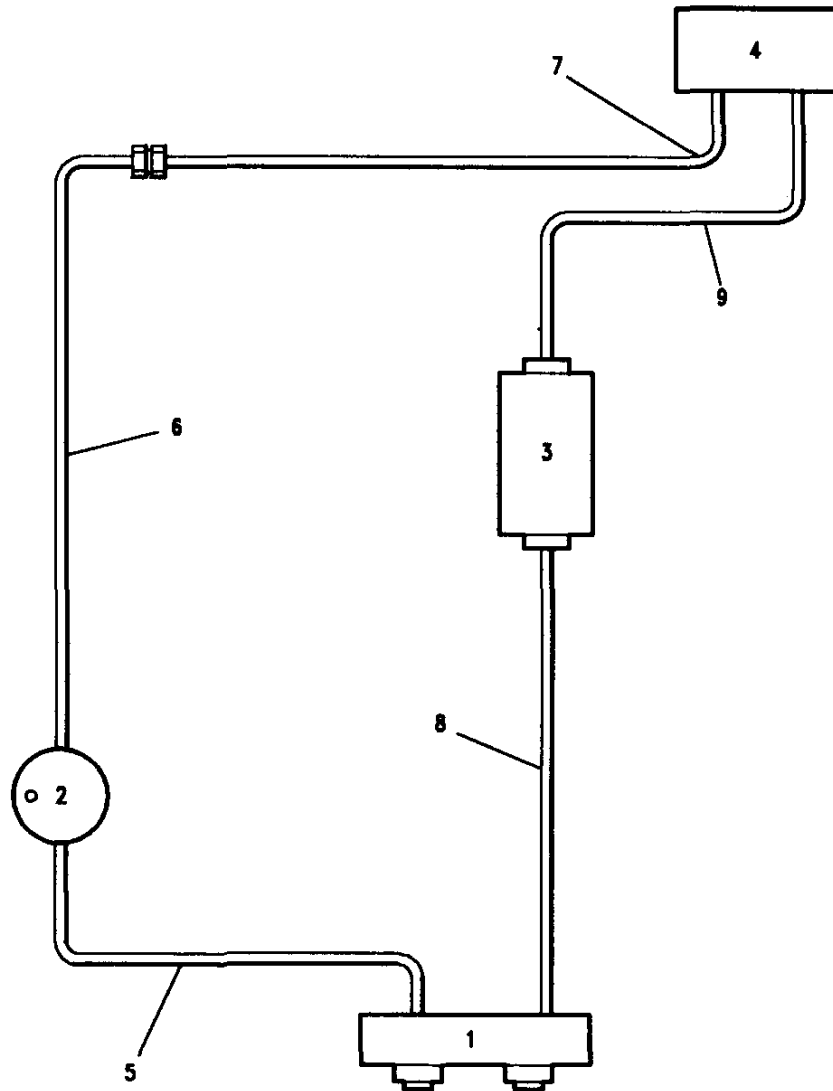


**Model** RANGE ROVER 1992 onwards  
**Page** BDLXMA5A

**AIR CONDITIONING - HOSE LAYOUT - PI ONLY - UP TO LA647644**

Ill. Part No.	Description	Qty	Remarks
<b>LHS only</b>			
1	Condensor	1	)
2	Receiver drier	1	)For
3	Compressor	1	)Reference
4	Evaporator	1	)Only
<b>Condenser to Receiver drier</b>			
5	BTR2564 Hose assembly	1	
<b>Receiver drier to Evaporator</b>			
6	MXC7257 Adaptor	1	Note(1)
	BTR3630 Adaptor	1	Note(2)
7	MXC6270 Hose assembly	1	
8	MXC7241 Hose assembly	1	
<b>Condenser to Compressor</b>			
9	BTR3710 Hose assembly	1	
	Service valve		NSS
	AEU1627 O ring	1	
<b>Compressor to Evaporator</b>			
10	BTR2579 Hose assembly	1	
	MXC6275 Service valve	1	
	AEU1628 O ring	1	

Note(1) Up to JA617613  
 Note(2) From JA617614



**Model** RANGE ROVER 1992 onwards  
**Page** BDLXMA2A

**AIR CONDITIONING - HOSE LAYOUT - VM DIESEL ONLY**

Ill. Part No.	Description	Qty	Remarks
<b>RHS only</b>			
1	Condenser	1	)
2	Receiver drier	1	)For
3	Compressor	1	)Reference
4	Evaporator	1	)Only
<b>Condenser to Receiver drier</b>			
5	BTR2564 Hose assembly	1	
<b>Receiver drier to Evaporator</b>			
6	BTR1236 Hose assembly	1	
7	RTC6147 Hose assembly	1	
<b>Condenser to Compresso</b>			
8	BTR2549 Hose assembly	1	Note(1)
	BTR3711 Hose assembly	1	Note(2)
	MXC6269 Service valve	1	
	AEU1627 O ring	1	
<b>Compressor to Evaporator</b>			
9	BTR2582 Hose assembly	1	
	MXC6275 Service valve	1	
	AEU1628 O ring	1	

Note(1) Up to JA617613  
 Note(2) From JA617614

**Model** RANGE ROVER 1992 onwards

**Page** BDLXMA5A

**AIR CONDITIONING - HOSE LAYOUT - VM DIESEL ONLY**

**III. Part No. Description Qty Remarks**

**LHS only**

1	Condenser	1	)
2	Receiver drier	1	)For
3	Compressor	1	)Reference
4	Evaporator	1	)Only

**Condenser to Receiver drier**

5	BTR2564	Hose assembly	1
---	---------	---------------	---

**Receiver drier to Evaporator**

6	MXC7257	Adaptor	1	Note(1)
	BTR3630	Adaptor	1	Note(2)
7	BTR1236	Hose assembly	1	
8	MXC7241	Hose assembly	1	

**Condenser to Compressor**

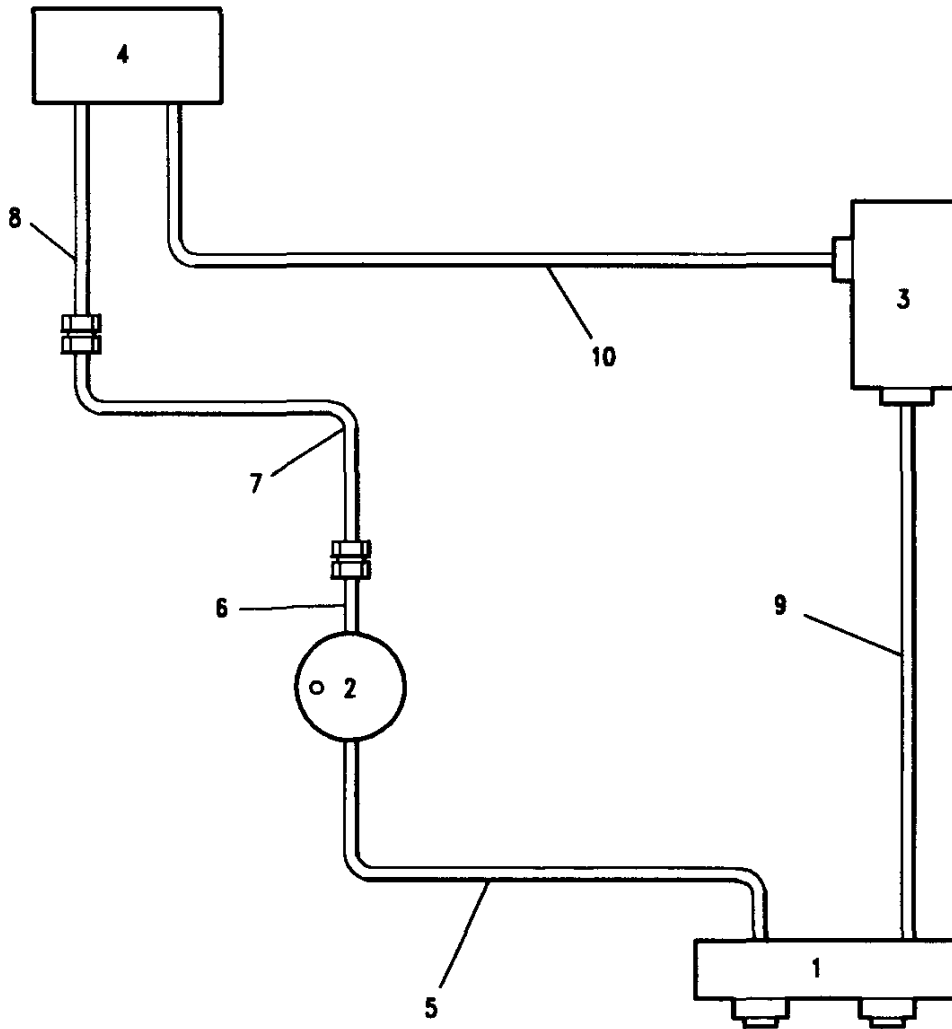
9	BTR2549	Hose assembly	1	Note(1)
	BTR3711	Hose assembly	1	Note(2)
	MXC6269	Service valve	1	
	AEU1627	O ring	1	

**Compressor to Evaporator**

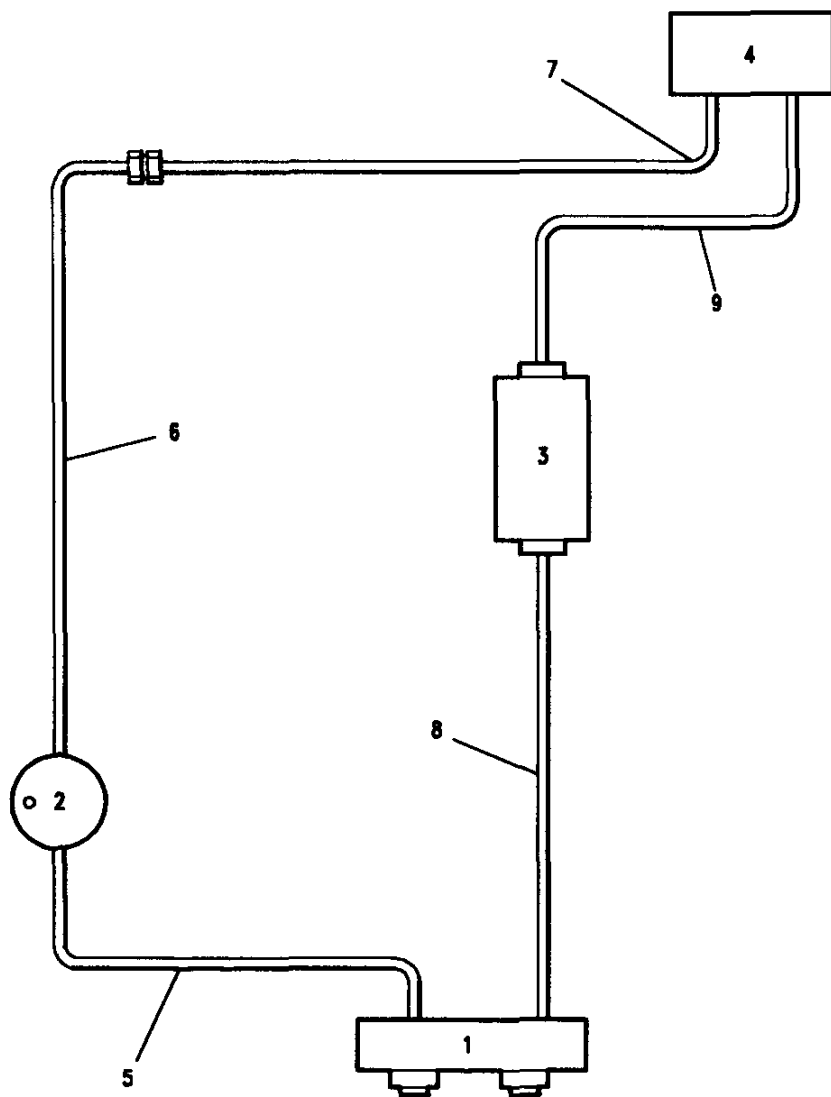
10	BTR2581	Hose assembly	1
	MXC8275	Service valve	1
	AEU1628	O ring	1

Note(1) Up to JA617613

Note(2) From JA617614



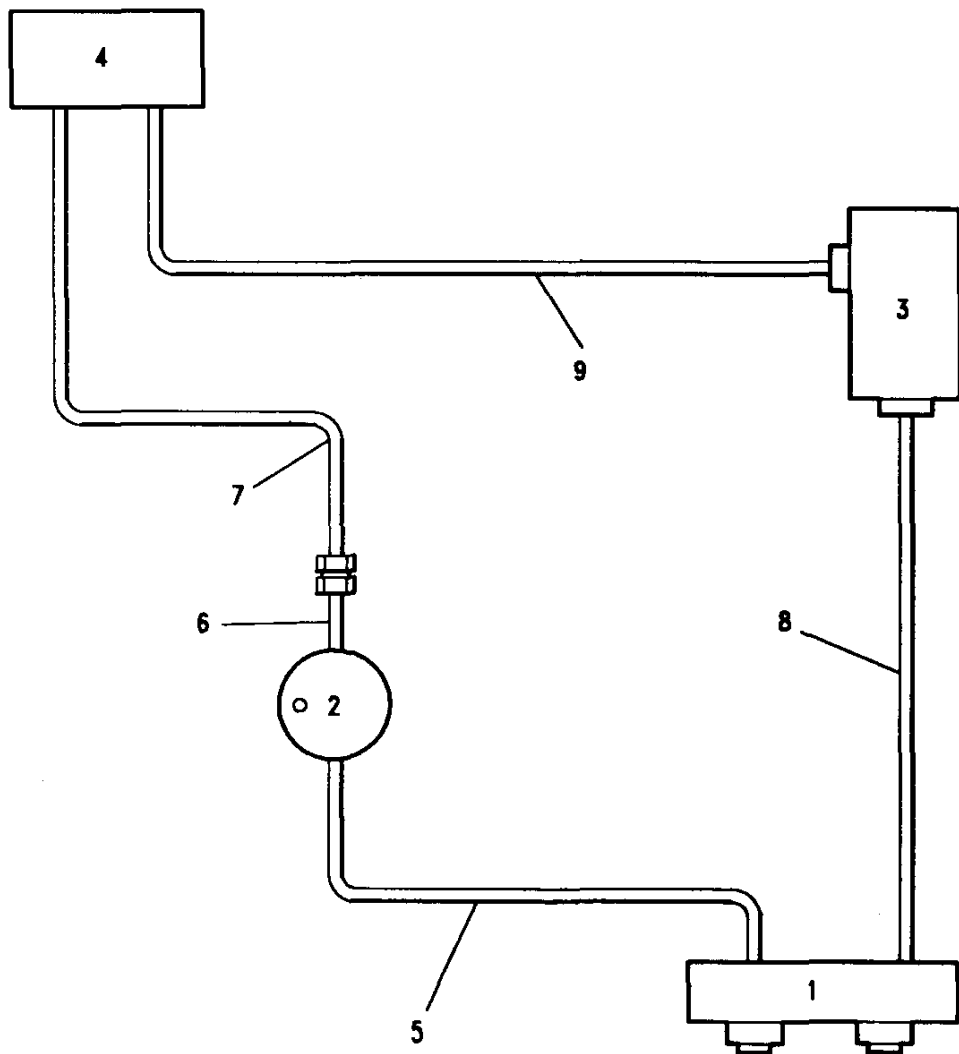




**Model** RANGE ROVER 1992 onwards  
**Page** BDLXMA2A

**AIR CONDITIONING - HOSE LAYOUT - 200TDI ONLY**

Ill. Part No.	Description	Qty	Remarks
<b>RHS only</b>			
1	Condensor	1	)
2	Receiver drier	1	)For
3	Compressor	1	)Reference
4	Evaporator	1	)Only
<b>Condenser to Receiver drier</b>			
5	BTR2564	1	Hose assembly
<b>Receiver drier to Evaporator</b>			
6	MXC7256	1	Hose assembly
7	BTR5032	1	Hose assembly
<b>Condenser to Compresso</b>			
8	BTR3809	1	Hose assembly
	MXC6269	1	Service valve
	AEU1627	1	O ring
<b>Compressor to Evaporator</b>			
9	BTR2580	1	Hose assembly
	MXC6275	1	Service valve
	AEU1628	1	O ring



Model RANGE ROVER 1992 onwards  
 Page BDLXMA3A

**AIR CONDITIONING - HOSE LAYOUT - 200TDI ONLY**

III. Part No.	Description	Qty	Remarks
<b>LHS only</b>			
1	Condenser	1	)
2	Receiver drier	1	)For
3	Compressor	1	)Reference
4	Evaporator	1	)Only
<b>Condenser to Receiver drier</b>			
5	BTR2584 Hose assembly	1	
<b>Receiver drier to Evaporator</b>			
6	BTR3630 Adaptor	1	
7	RTC8147 Hose assembly	1	
<b>Condenser to Compressor</b>			
8	BTR3809 Hose assembly	1	
	MXC8269 Service valve	1	
	AEU1627 O ring	1	
<b>Compressor to Evaporator</b>			
9	BTR5031 Hose assembly	1	
	MXC6275 Service valve	1	
	AEU1628 O ring	1	

**Model** RANGE ROVER 1992 onwards  
**Page** BDLXMA4A

**AIR CONDITIONING - HOSES - FRONT SYSTEM - FROM MA647645**

**Ill. Part No. Description Qty Remarks**

**Evaporator to compressor**

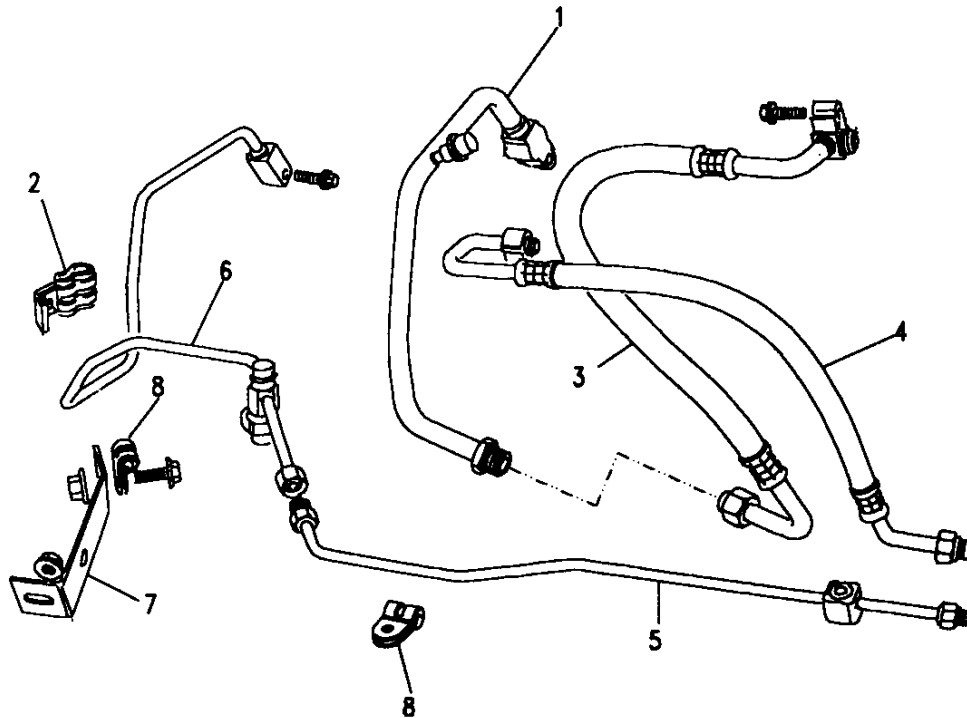
1	BTR6727	Pipe - evap. to suction	1	
2	BTR8921	Clip pipe	1	
3	BTR4041	Hose assembly - suction	1	V8
	BTR4040	Hose assembly - suction	1	300TDI

**Compressor to condenser**

4	BTR4045	Hose assembly - discharge	1	V8
	BTR4044	Hose assembly - discharge	1	300TDI

**Condenser to evaporator**

5	BTR7231	Pipe liquid to charge pt	1	
6	BTR4038	Pipe assy - liquid line	1	
7	BTR9613	Bracket fixing	1	
8	BTR7301	Clip pipe	2	



**MASTER INDEX**

	PAGES
INTRODUCTION PAGES	1 - 3
ALPHABETICAL INDEX	4 - 9
ENGINE	10 - 50
ENGINE	51 - 88
ENGINE	89 - 133
ENGINE	134 - 172
GEARBOX	173 - 194
GEARBOX	195 - 211
GEARBOX	212 - 238
TRANSFER BOX	239 - 252
AXLES AND SUSPENSION	253 - 313
STEERING	314 - 332
VEHICLE AND ENGINE CONTROLS	333 - 343
BRAKES	344 - 374
FUEL SYSTEM AND AIR CLEANER	375 - 401
EXHAUST SYSTEM	402 - 409
COOLING/HEATING	410 - 456
BODY ELECTRICAL	457 - 574
BODY AND CHASSIS	575 - 681
INTERIOR TRIM	682 - 772
SEATS	773 - 843
SEATS	844 - 862
STOWAGE	863 - 865
ACCESSORIES - PAINTS	866 - 893
NUMERICAL INDEX	895 - 958

**GROUP M**

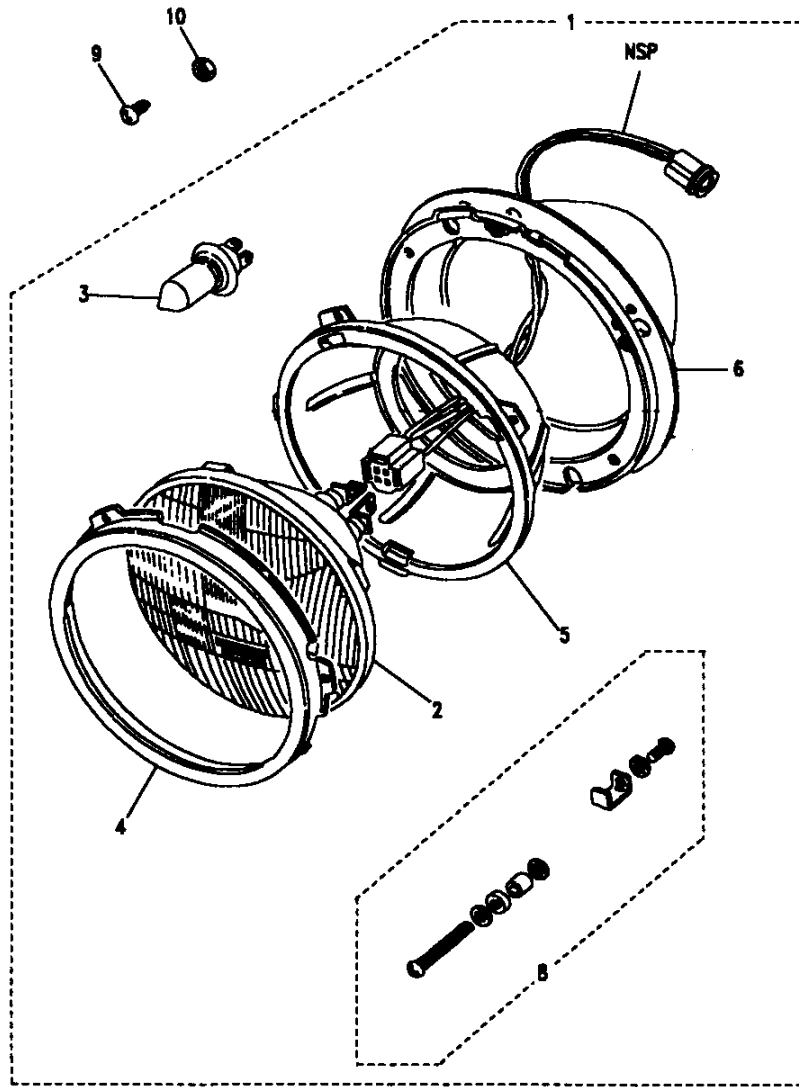
**BODY ELECTRICAL**

	PAGES
<b>BODY ELECTRICAL</b>	
HEADLAMPS - LUCAS - UP TO JA624755	459
HEADLAMPS WITH LEVELLING - LHS ONLY	460
HEADLAMPS - WIPAC FROM KA624755	461
HEADLAMPS WITH LEVELLING - LHS ONLY	462
AUXILIARY LAMPS	463
FRONT INDICATOR & SIDE LAMP	464
SIDE REPEATER LAMP	465
REAR LAMPS	466
REAR NUMBER PLATE LAMP	467
HIGH LEVEL STOP LAMP	468
UNDER BONNET LAMP	469
DOOR LAMPS	470
INTERIOR COURTESY LAMP	471
BATTERY & BATTERY LEADS - PETROL	472
BATTERY & BATTERY LEADS - VM DIESEL	473
BATTERY & BATTERY LEADS - 200TDI & 300TDI	474
MAIN HARNESS - FROM JA610294 UP TO JA624780	475 - 476
MAIN HARNESS - FROM KA624781 UP TO LA647644	477 - 480
MAIN HARNESS - FROM MA647645	481 - 484
BODY HARNESS - FROM JA610294 UP TO JA624780	485
BODY HARNESS - FROM KA624781 UP TO LA647644	486
BODY HARNESS - FROM MA647645	487 - 488
DOOR HARNESS - 2 DOOR - UP TO LA647644	489
DOOR HARNESS - 4 DOOR - UP TO LA647644	490 - 491
DOOR HARNESS - FROM MA647645	492
ENGINE HARNESS - UP TO LA647644	493 - 495
ENGINE HARNESS - V8 PI - FROM MA647645	496
ENGINE HARNESS - 300TDI - FROM MA647645	497
GEARBOX HARNESS - UP TO LA647644	498
GEARBOX HARNESS - FROM MA647645	499
CHASSIS HARNESS - UP TO LA647644	500
CHASSIS HARNESS - FROM MA647645	501
LINK LEADS & AERIALS	502
DIM DIP TRANSFORMER - UP TO LA647644	503
SUPPLEMENTARY RESTRAINT SYSTEM	504
COLUMN SWITCHES - UP TO LA647644	505
COLUMN SWITCHES - FROM MA647645	506
FACIA SWITCHES - UP TO LA647644	507

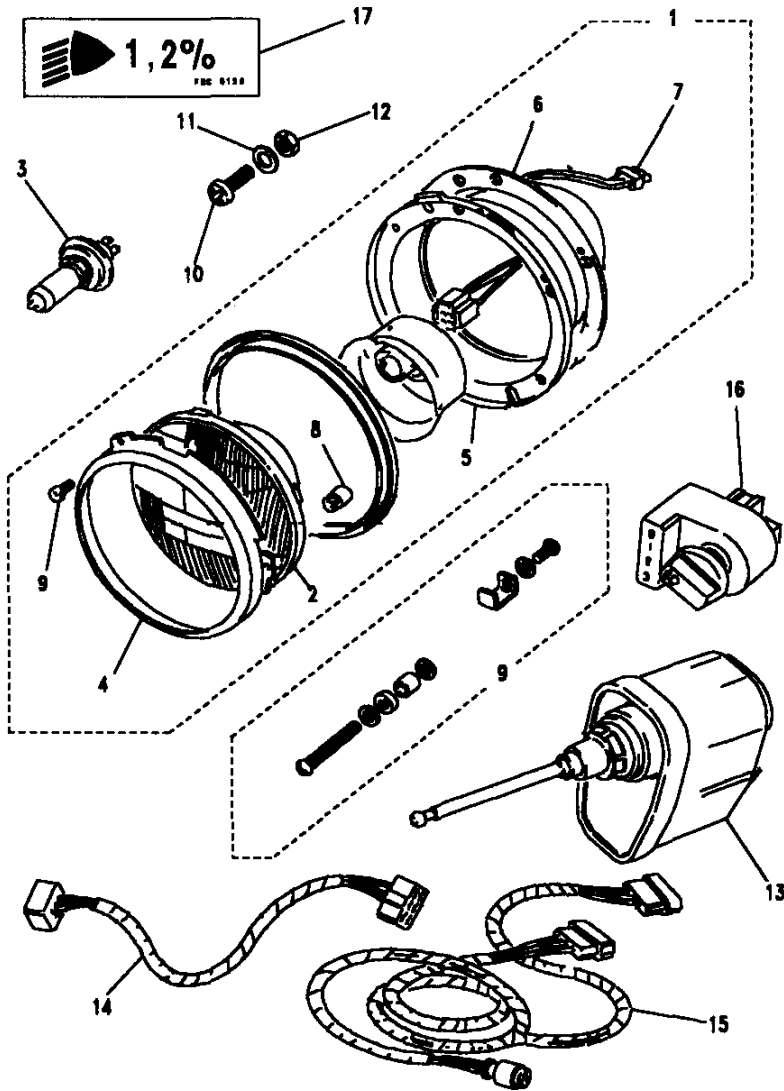
FACIA SWITCHES - FROM MA647645	508 - 509	CRUISE CONTROL - UP TO LA647645	573
WINDOW LIFT SWITCHES - UP TO LA647644	510	CRUISE CONTROL - FROM MA647645	574
WINDOW & SEAT SWITCHES - FROM MA647645	511		
RELAYS - FROM JA610294 UP TO JA624780	512 - 515		
RELAYS - FROM KA624781 UP TO LA647644	516 - 519		
RELAYS - FROM MA647645	520 - 523		
GLOW PLUG TIMER - UP TO LA647644	524		
GLOW PLUG TIMER - FROM MA647645	525		
ELECTRONIC FUEL INJECTION	526 - 527		
EXHAUST GAS RECIRCULATION	528		
HORN	529		
ELECTRONIC AIR SUSPENSION	530		
ALARM / REMOTE LOCKING SYSTEM	531 - 535		
ANTI LOCK BRAKE SYSTEM	536 - 537		
INSTRUMENTS - UP TO LA647644	538		
INSTRUMENTS - FROM MA647645	539 - 540		
SPEEDOMETER - U.K. POLICE SPEC - UP TO LA647644	541		
SPEEDOMETER - U.K. POLICE SPEC - FROM MA647645	542		
SPEEDO CABLE & TRANSDUCER - UP TO LA647644	543		
SPEED TRANSDUCER - FROM MA647645	544		
CLOCK & CIGAR LIGHTER - UP TO LA647644	545		
CLOCK & CIGAR LIGHTER - FROM MA647645	546		
RADIO CASSETTE & C.D. - UP TO JA624755	547		
SPEAKERS - UP TO JA624755	548		
RADIO CASS & C.D. - FROM KA624756 UP TO LA647644	549		
RADIO CASS & C.D. - FROM KA624756 UP TO LA647644	550		
RADIO CASS & C.D. - FROM KA624756 UP TO LA647644	551		
RADIO CASSETTE & C.D. - FROM MA647645	552		
SPEAKERS & AMPLIFIERS - FROM MA647645	553 - 554		
HARNESS - RADIO TO AMPLIFIER	555		
ANTENNA - WING MOUNTED	556		
WINDSCREEN WIPERS - UP TO LA647644	557		
WINDSCREEN WIPERS - FROM MA647645	558		
WINDSCREEN & HEADLAMP WASH	559 - 560		
HEADLAMP POWER WASH	561		
REAR SCREEN WIPER	562		
HEATED FRONT SCREEN	563		
WINDOW LIFT CONTROL UNIT - 2 DOOR	564		
WINDOW LIFT CONTROL UNIT - UP TO LA647644	565		
WINDOW LIFT CONTROL UNIT - FROM MA647645	566		
FRONT SEAT MOTOR AND CABLES	567		
FRONT SEAT MOTORS & CABLES	568		
FRONT SEAT SWITCHES - NON MEMORY	569		
FRONT SEAT SWITCHES - MEMORY SEATS	570		
OVERSPEED AUDIBLE WARNING	571		
HEATED FUEL FILTER - CABLE, FUSE & RELAY	572		

**Model** RANGE ROVER 1992 onwards  
**Page** BDMXAA1A

**ELECTRICAL - HEADLAMPS - LUCAS - UP TO JA624755**



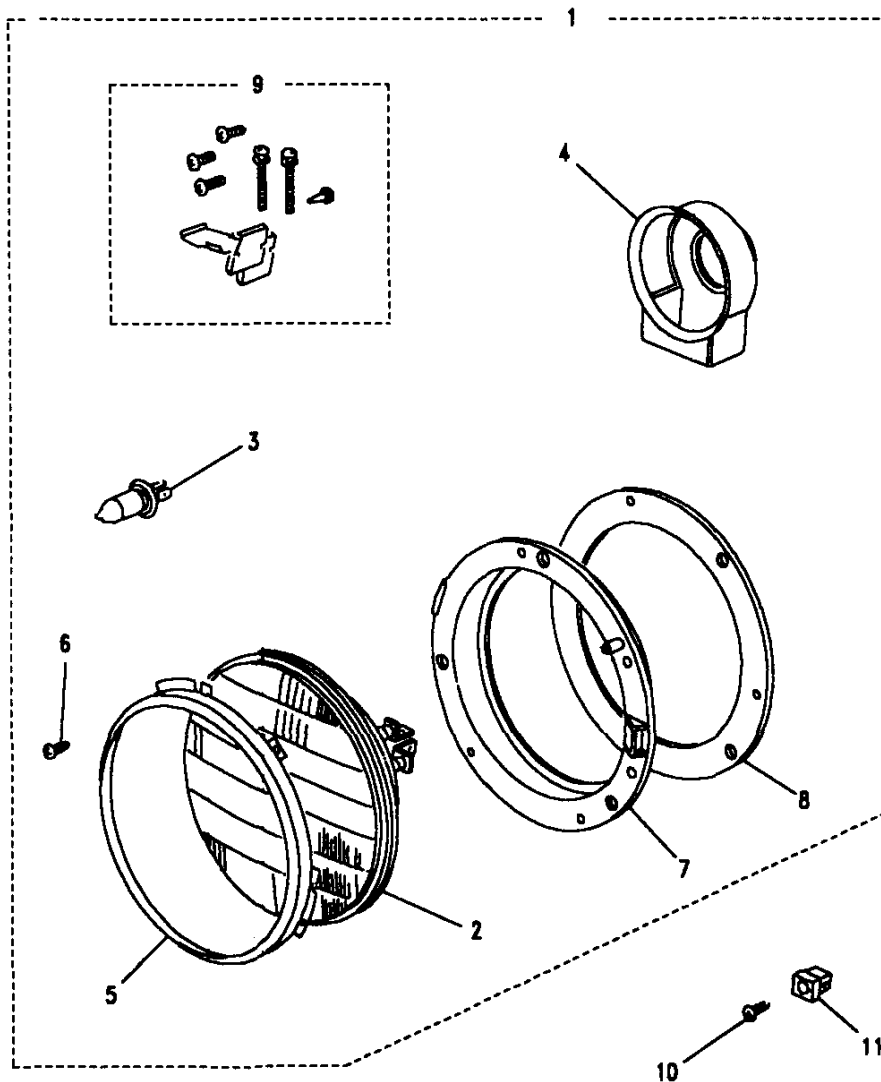
III. Part No.	Description	Qty	Remarks
1 PRC8941	Headlamp assembly	2	RHS
1 PRC8942	Headlamp assembly	2	LHS
1 PRC8943	Headlamp assembly	2	LHS France
2 RTC4615	Light Unit	2	RHS
2 PRC7994	Light Unit	2	LHS
3 589783	Bulb	2	
4 PRC2167	Bulb Amber	2	France
4 PRC7992	Rim (Chrome)	2	
5 STC643	Seating Rim	2	
6 531586	Gasket headlamp	2	
7	Link lead	2	NSP
8 BHM7058L	Screw - Trim adjusting	6	
9 AB608047L	Screw	8	
10 79051	Nut - Lokut	8	



**Model** RANGE ROVER 1992 onwards  
**Page** BDMXAA2A

**ELECTRICAL - HEADLAMPS WITH LEVELLING - LHS ONLY**

III. Part No.	Description	Qty	Remarks
<b>LUCAS - UP TO JA624755</b>			
1	PRC8945	2	Headlamp
2	PRC7994	2	Light Unit
3	589783	2	Bulb
4	PRC7992	2	Rim (chrome)
5	PRC7997	2	Seating Rim
6	PRC7991	2	Gasket
7		2	Link lead
8	PRC7998	2	Adaptor low levelling
9	BHM7058L	4	Screw - Trim adjusting
10	AB610041L	8	Screw
11	WC702101L	8	Washer plain
12	RTC3743	8	Nut
13	PRC7963	2	Actuator
14	PRC7934	1	Cable assembly
15	PRC8816	2	Link Lead
16	PRC7989	1	Switch
17	PRC8125	1	Label warning



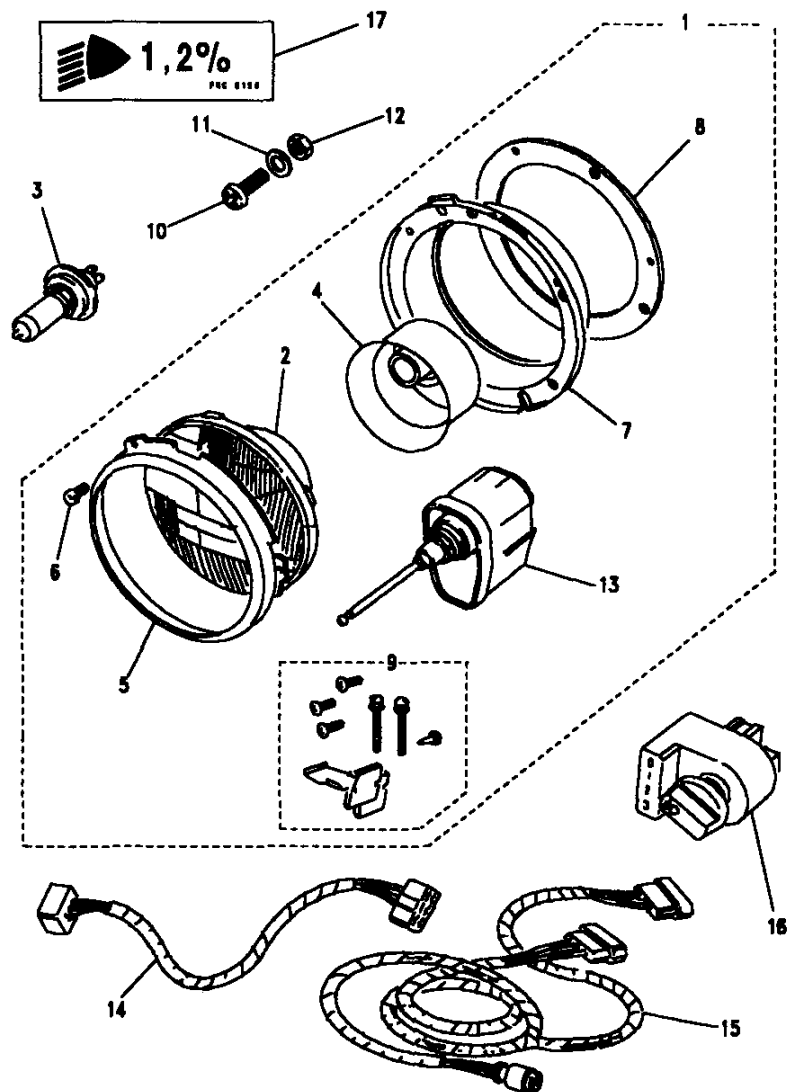
Model RANGE ROVER 1992 onwards

Page BDMXAA1B

**ELECTRICAL - HEADLAMPS - WIPAC FROM KA624755**

Ill. Part No.	Description	Qty	Remarks
<b>Headlamps with chrome bezel - up to KA638150</b>			
1	AMR2066 Headlamp assembly	2	RHS
	AMR2067 Headlamp assembly	2	LHS
	AMR2068 Headlamp assembly	2	LHS France
<b>Headlamps with black bezel - from KA638151</b>			
1	AMR2344 Headlamp assembly	2	RHS
	AMR2345 Headlamp assembly	2	LHS
<b>Both variants</b>			
2	STC1209 Light Unit	2	RHS
	STC1210 Light Unit	2	LHS
	STC1851 Clip bulb retaining	2	
3	589783 Bulb	2	
	PRC2167 Bulb Amber	2	France
4	STC951 Cover bulb	2	
5	STC1485 Rim (Chrome)	2	NSP
	STC1486 Rim (Black)	2	
6	STC1486 Screw(Black)	2	
7	STC1613 Body headlamp	2	
8	STC1612 Gasket headlamp	2	
9	STC1614 Kit headlamp fittings	2	
10	AB608047L Screw	8	
11	79051 Nut - Lokut	8	





**Model** RANGE ROVER 1992 onwards  
**Page** BDMXAA2B

**ELECTRICAL - HEADLAMPS WITH LEVELLING - LHS ONLY**

**III. Part No. Description Qty Remarks**

**WIPAC - FROM KA624755**

**Headlamps with chrome bezel - up to KA638150**

1 AMR2089 Headlamp assembly 2

**Headlamps with black bezel - from KA638151**

1 AMR3247 Headlamp assembly 2

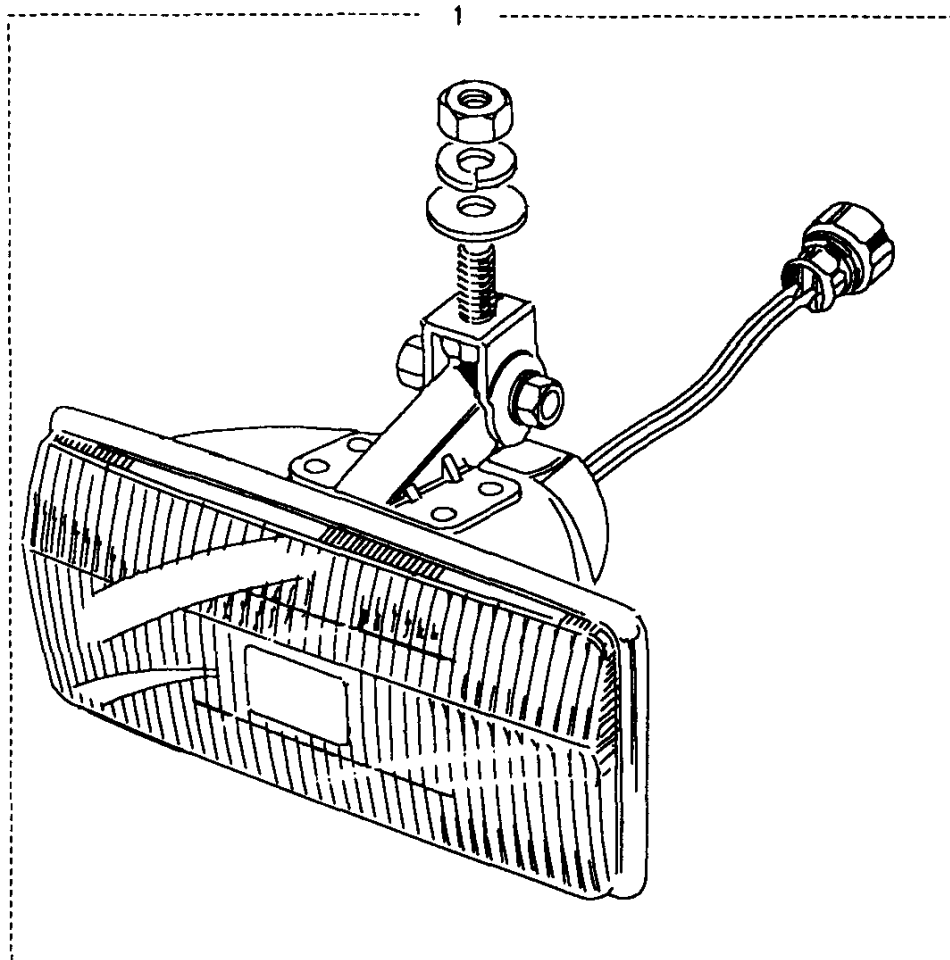
**Both variants**

2	STC1210	Light Unit	2
	STC1851	Clip bulb retaining	2
3	589783	Bulb	2
4	STC951	Cover bulb	2
5		Rim (Chrome)	2
	STC1485	Rim (Black)	2
6	STC1486	Screw(Black)	2
7	STC1613	Body headlamp	2
8	STC1612	Gasket headlamp	2
9	STC1614	Kit headlamp fittings	2
10	AB610041L	Screw	8
11	WC702101L	Washer plain	8
12	RTC3743	Nut	8
13	AMR2090	Actuator	2
14	PRC9993	Cable assembly	1
15	PRC8816	Link lead	1
16	PRC7989	Switch	1
	AMR2744	Switch	1
17	PRC8125	Label warning	1

NSP

Up to LA647644  
 From MA647645

**Model** RANGE ROVER 1992 onwards  
**Page** BDMXAA3A

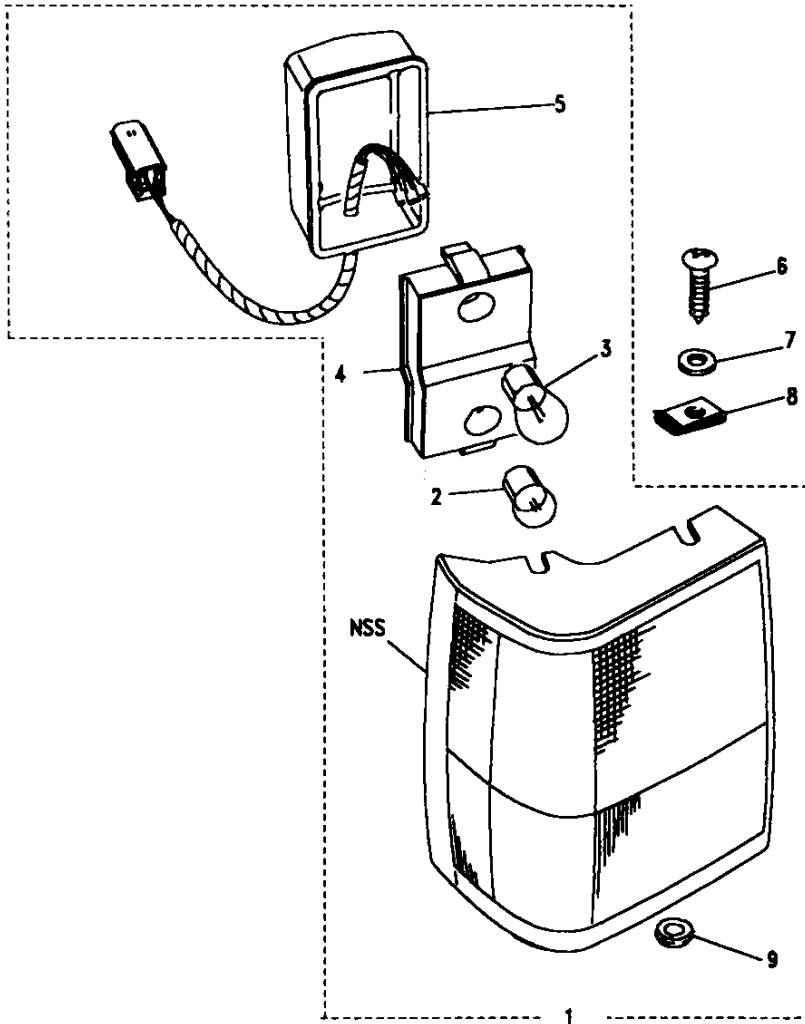


**ELECTRICAL - AUXILIARY LAMPS**

III. Part No.	Description	Qty	Remarks
<b>Driving lamps - clear</b>			
1 PRC8959	Lamp driving	2	Up to JA624754
AMR2005	Lamp driving	2	From KA624755
606178	Bulb	2	
<b>Driving lamps - yellow</b>			
PRC8960	Lamp driving	2	Up to JA624754
AMR2006	Lamp driving	2	From KA624755
606178	Bulb	2	
<b>Driving lamps - Japan</b>			
AMR2007	Lamp driving	2	Up to LA647644
AMR3396	Lamp driving	2	From MA647645
606178	Bulb	2	
<b>Front fog lamps</b>			
AMR3396	Lamp Fog	2	From KA643907

**Model** RANGE ROVER 1992 onwards  
**Page** BDMXAC1A

**ELECTRICAL - FRONT INDICATOR & SIDE LAMP**



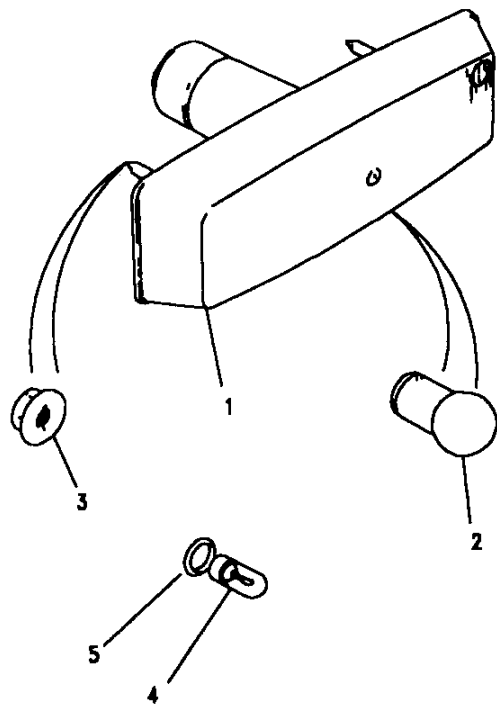
III. Part No.	Description	Qty	Remarks
1 PRC8949	Front lamp RH	1	
PRC8950	Front lamp LH	1	
2 10211	Bulb 12V 5W	2	Sidelight
3 264591	Bulb 12V 21W	2	Indicator
4 RTC5244	Holder bulb	2	
5 STC1648	Cable assembly	2	With cover
6 AB610041L	Screw	4	
7 WJ105001L	Washer	4	
8 PFS410L	Nut	4	
9 607129	Grommet	4	

**Model** RANGE ROVER 1992 onwards  
**Page** BDMXAC2A

**ELECTRICAL - SIDE REPEATER LAMP**

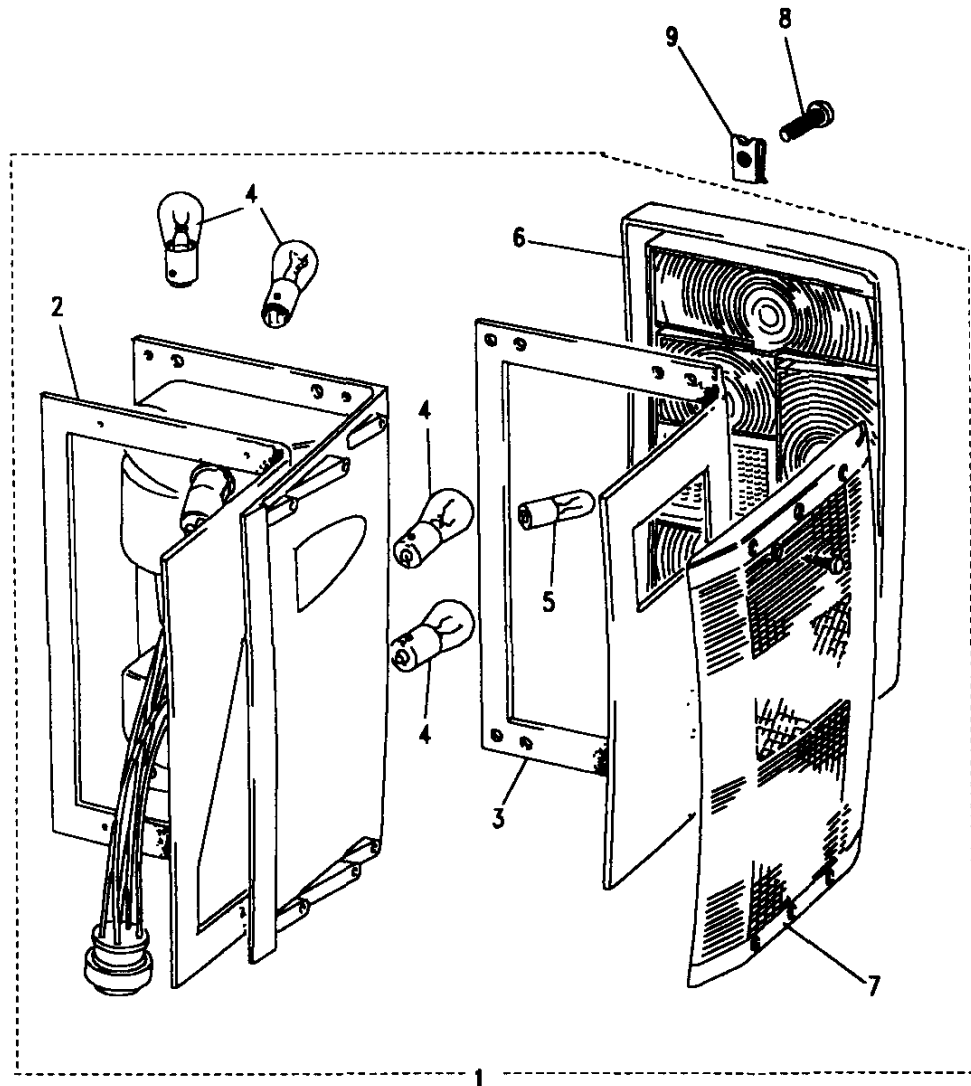
III. Part No.	Description	Qty	Remarks
1 AFU3341L	Repeater lamp side	2	
2 RTC5929	Bulb	2	Note(1)
AFU4481	Bulb	2	)
AFU3112L	O ring	2	)Note(2)
3 MWC2109	Nut	4	

Note(1) Up to KA635915  
 Note(2) From KA635916



**Model** RANGE ROVER 1992 onwards  
**Page** BDMXAC4A

**ELECTRICAL - REAR LAMPS**

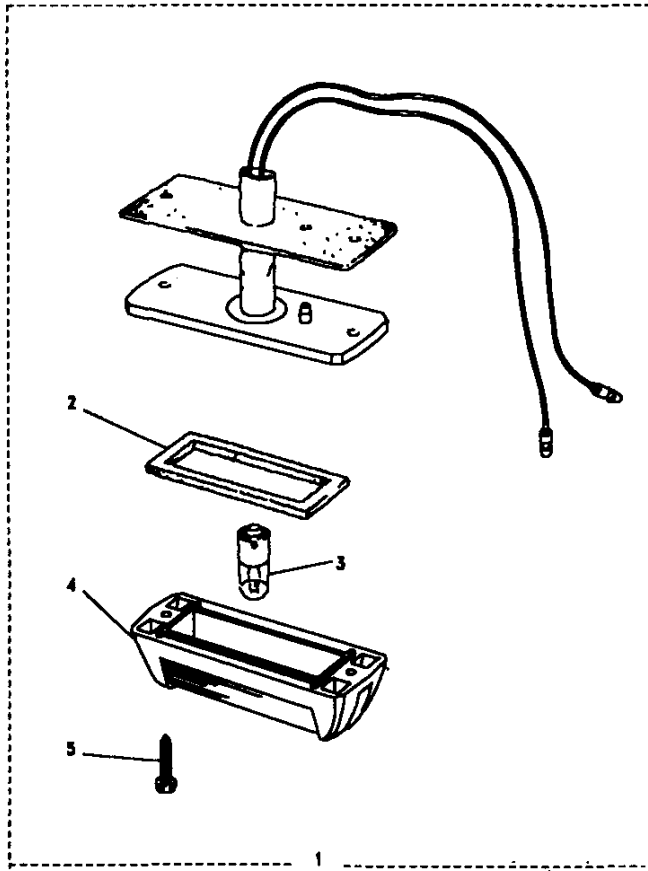


Ill. Part No.	Description	Qty	Remarks
1	PRC8952 Rear lamp RH	1	
1	PRC8953 Rear lamp LH	1	
2	AEU1525 Gasket	2	
3	AEU1523 Gasket	2	Note(1)
	STC962 Gasket	2	Note(2)
4	264591 Bulb 12V 21W	6	
5	264590 Bulb stop tail 12V 5/21W	2	
6	RTC5989 Lens rear RH	1	
	RTC5990 Lens rear LH	1	
7	RTC5294 Lens side RH	1	
	RTC5295 Lens side LH	1	
8	SE104161L Screw	8	
9	79039 Clip	12	

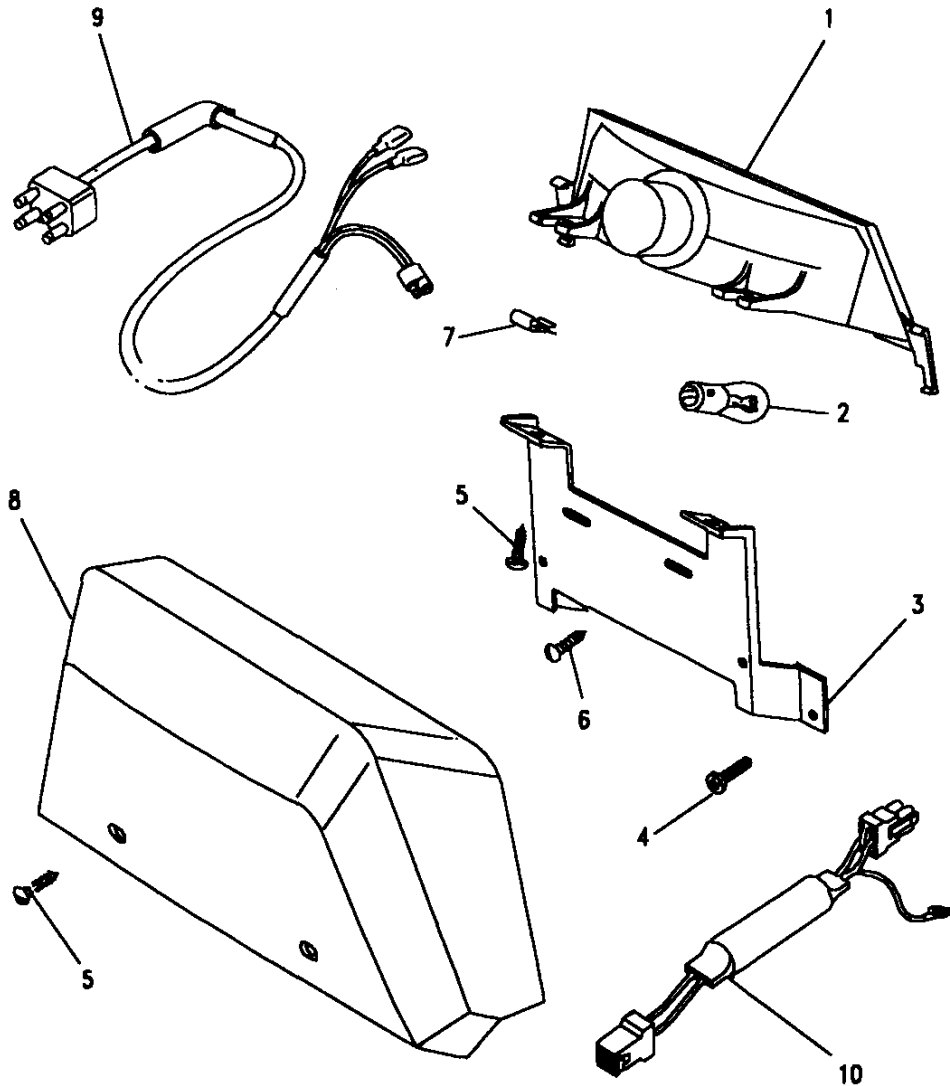
Note(1) Up to JA623449  
 Note(2) From JA623450

**Model** RANGE ROVER 1992 onwards  
**Page** BDMXAC5A

**ELECTRICAL - REAR NUMBER PLATE LAMP**



III. Part No.	Description	Qty	Remarks
1	PRC6068	2	Number plate lamp
2	RTC3830	2	Gasket
3	570829	2	Bulb 12V 5W
4	STC929	1	Lens
5	RTC3832	4	Screw



**Model** RANGE ROVER 1992 onwards  
**Page** BDMXAC3A

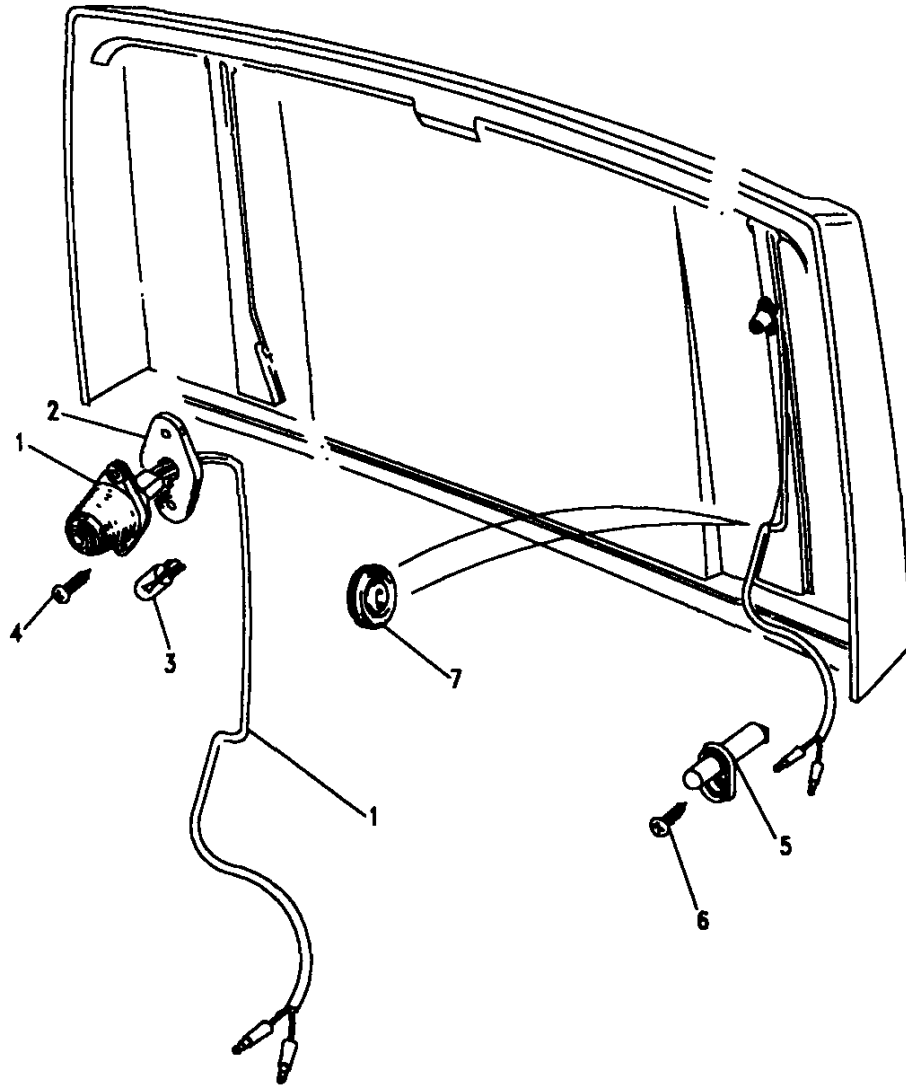
**ELECTRICAL - HIGH LEVEL STOP LAMP**

III. Part No.	Description	Qty	Remarks
1	PRC9093	1	High level stop lamp
2	264591	1	Bulb 12V 21W
3	MXC8860	1	Bracket mounting
4	SE104161L	2	Screw
5	AB608054L	4	Screw
6	DA608044L	2	Screw
7	MWC6204	2	Clip
8	MXC5788	1	Cover
9	PRC7987	1	Link lead
10	PRC9549	1	Suppressor
	STC8050	2	Riv nut steel M6
	LRNA5114	1	Screw stainless steel M6

**Model** RANGE ROVER 1992 onwards  
**Page** BDMXAE1A

**ELECTRICAL - UNDER BONNET LAMP**

III. Part No.	Description	Qty	Remarks
1	PRC2924	2	Lamp under bonnet
2	PRC2949	2	Gasket
3	570829	2	Bulb
4	AB606031L	4	Screw
5	PRC8548	1	Switch
6	PRC6518L	1	Screw
7	235113	2	Grommet



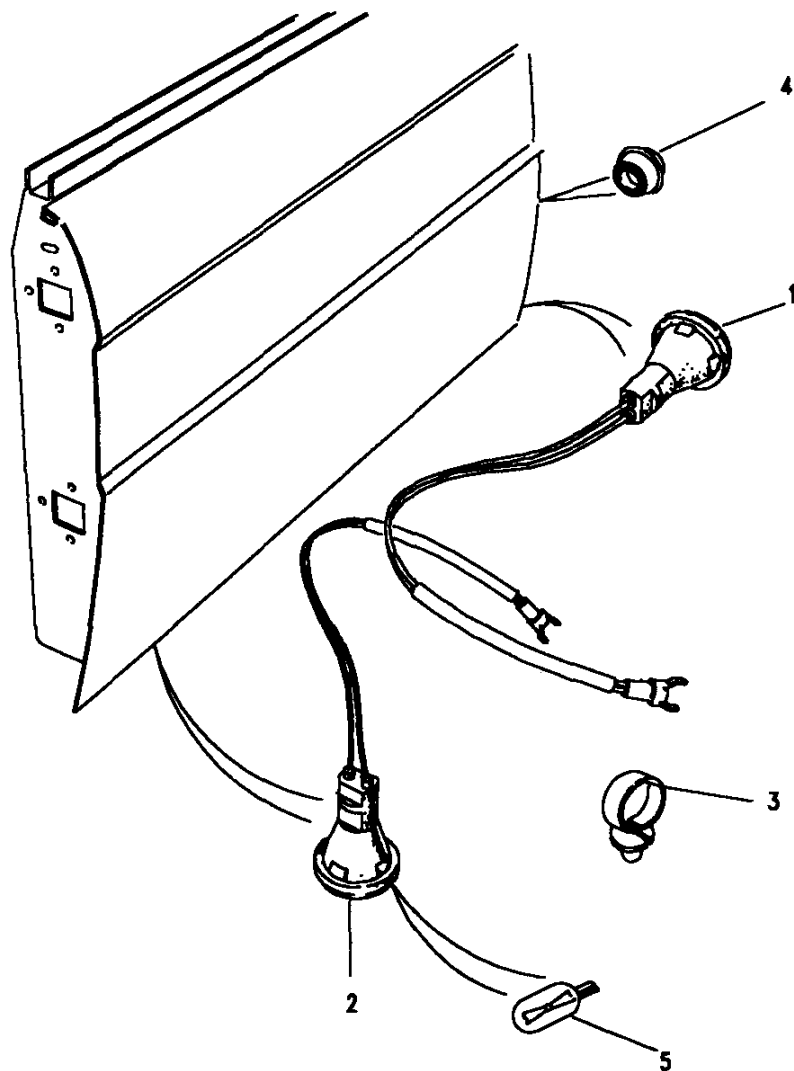


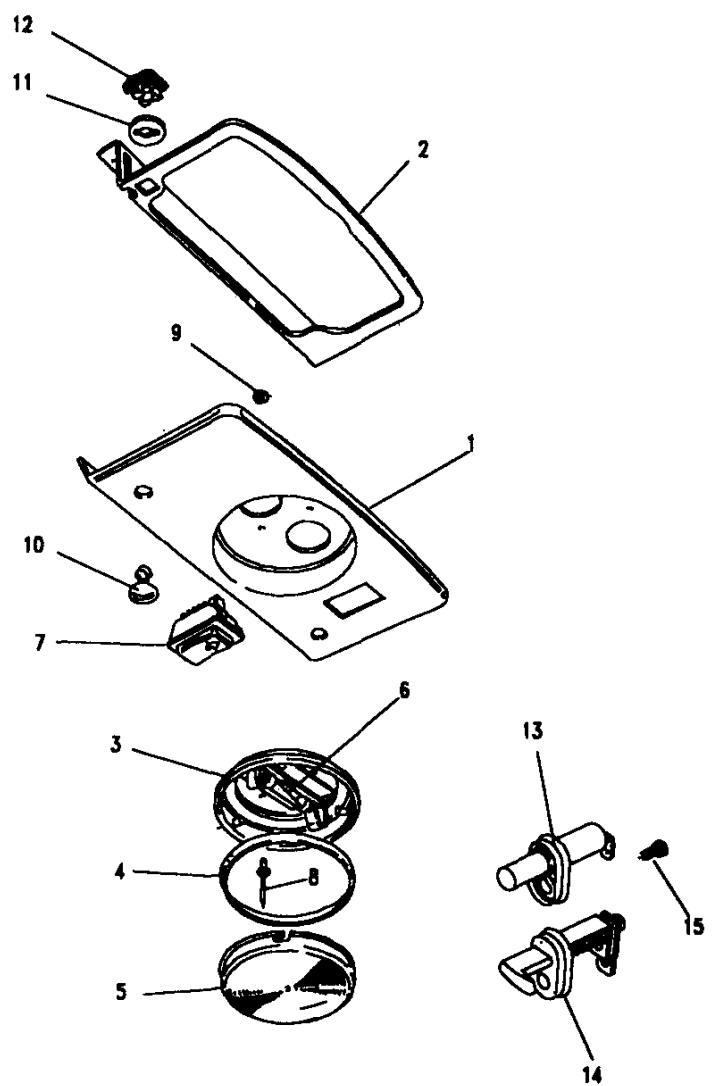
**Model** RANGE ROVER 1992 onwards  
**Page** BDMXAE2A

**ELECTRICAL - DOOR LAMPS**

III. Part No.	Description	Qty	Remarks
1 PRC8077	Lamp front door	2	Red
2 PRC8076	Lamp puddle	2	White
3 PRC5273	Clip	10	
PRC5274	Clip	4	
4 338023	Plug rubber	4	Note(1)
5 570829	Bulb	4	

Note(1) Only use when puddle lamps not fitted.





**Model** RANGE ROVER 1992 onwards  
**Page** BDMXAE3A

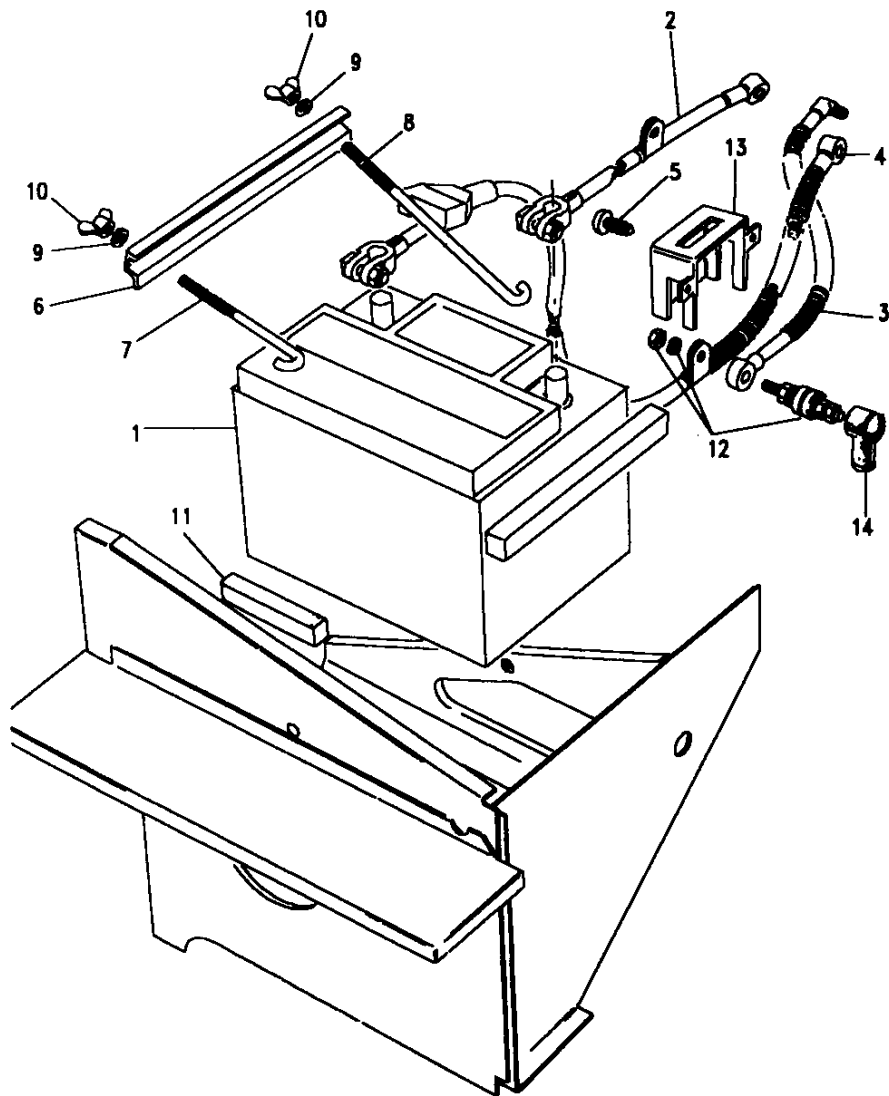
**ELECTRICAL - INTERIOR COURTESY LAMP**

III. Part No.	Description	Qty	Remarks
1 BTR1214LUM	Plate cover	1	Up to JA618465
BTR4436LUM	Plate cover	1	From JA618466
2 MWC8563	Bracket mounting	1	
3 PRC7198LUM	Plate base	1	Up to JA615798
PRC9903	Plate base	1	From JA615799
4 567905	Gasket	1	
5 PRC1634	Lens	1	
6 559186	Bulb	1	Up to JA615798
586438	Bulb	1	From JA615799
7 PRC5255	Switch sunroof - type B	1	
8 RA610167	Rivet	2	
9 WA104001L	Washer plain	2	
10 MWC5995LUM	Turnbuckle	2	
11 MUC6523	Washer	2	
12 MUC6522	Fastener	2	
<b>Front &amp; rear doors</b>			
13 PRC8548	Switch door open	4	
<b>Tailgate</b>			
14 PRC7065	Switch tailgate open	1	Up to KA633784
AFU4241L	Switch tailgate open	1	From KA633785
15 PRC8518L	Screw	8	

Note(1) Colour code. LUM - Mist grey

**Model** RANGE ROVER 1992 onwards  
**Page** BDMXCA1A

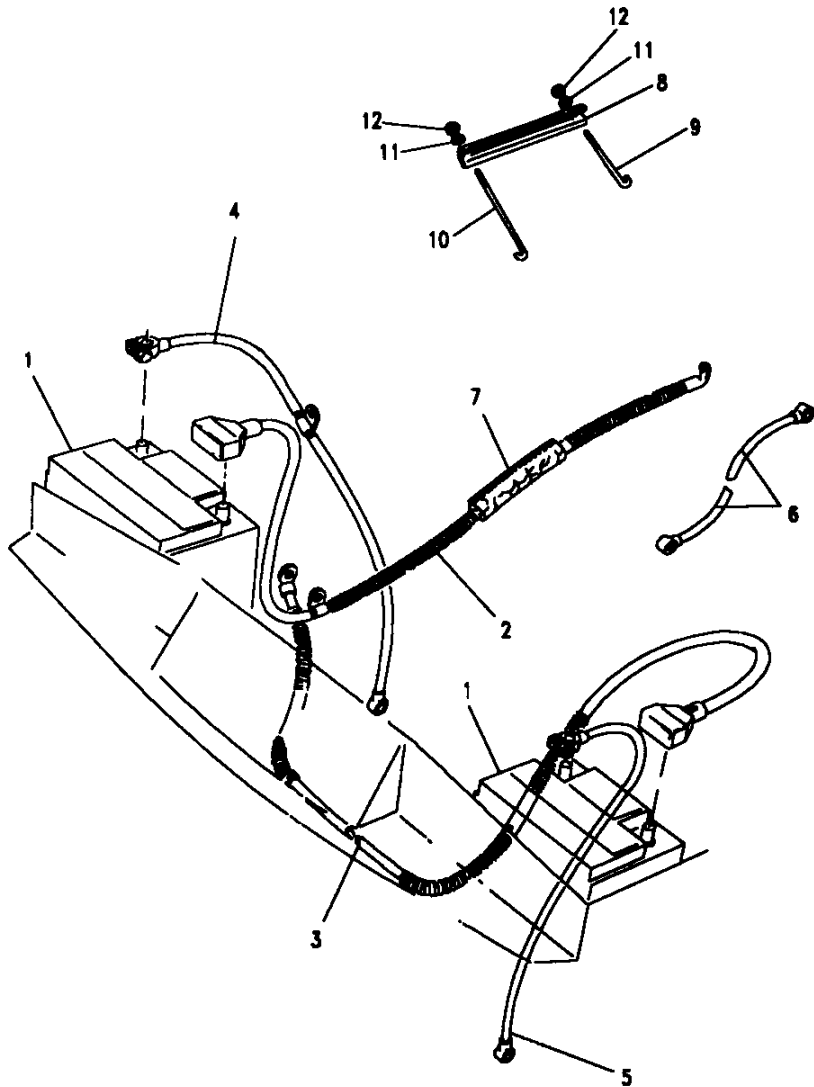
**ELECTRICAL - BATTERY & BATTERY LEADS - PETROL**



Ill. Part No.	Description	Qty	Remarks
1	STC8267	1	Battery wet - type 072
	STC8269	1	Battery dry - type 072
2	PRC4138	1	Lead battery
3	PRC6580	1	Lead battery
4	PRC9637	1	Lead battery
5	YXX5098	2	Clip
6	MUC6514	1	Clamp battery
	AMR3679	1	Clamp battery
7	MUC6513	1	J Bolt - short
	AMR3680	1	J bolt - short
8	MRC7133	1	J Bolt - long
	AMR3681	1	Stud - long
9	AFU1262	2	Washer plain
10	AFU1272	2	Nut wing
	NH106041L	4	Nut plain
11	MTC7451	1	Buffer
12	PRC7100	1	Terminal post
13	PRC5003	1	Cover terminal
14	PRC7093	1	Terminal boot
15	ALR4467	1	Panel battery mounting LH
	ALR4468	1	Panel battery mounting RH

**Model** RANGE ROVER 1992 onwards  
**Page** BDMXCA2A

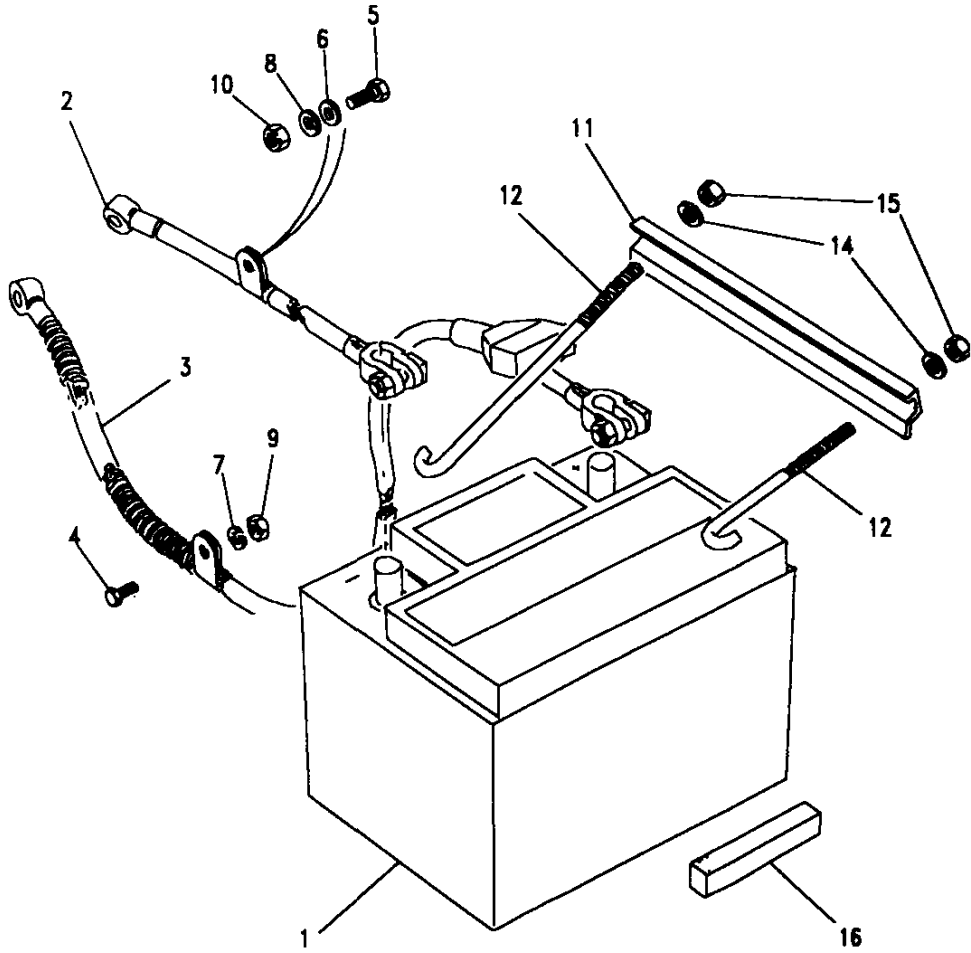
**ELECTRICAL - BATTERY & BATTERY LEADS - VM DIESEL**



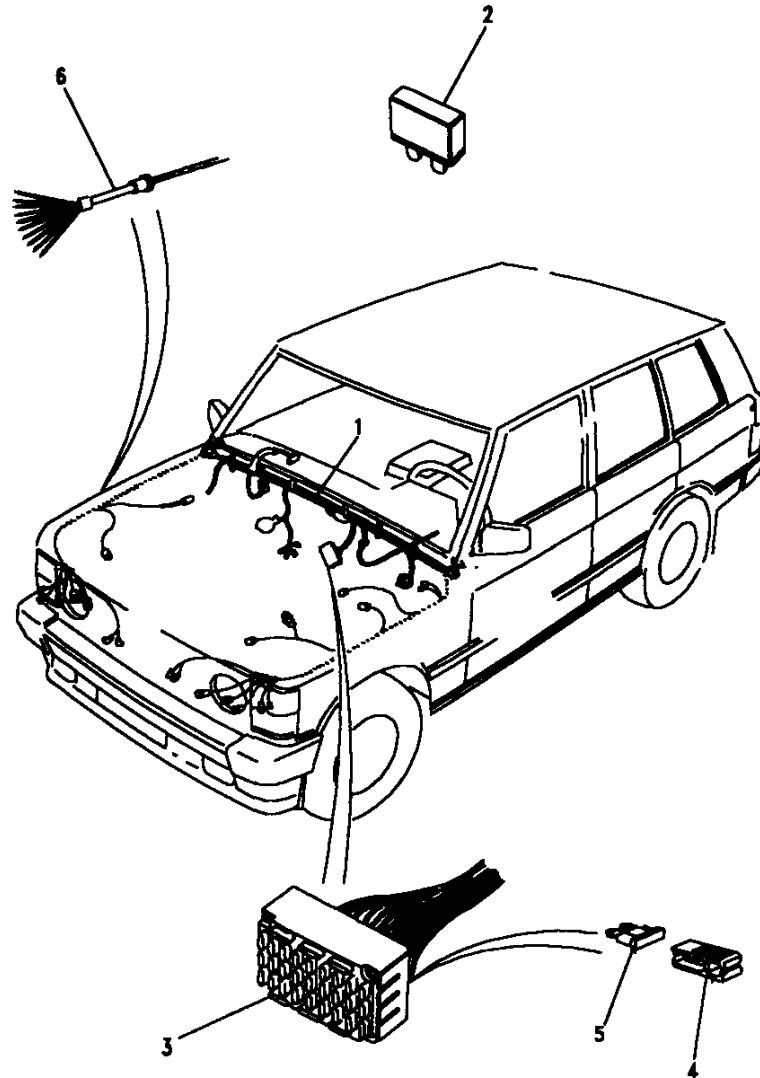
III. Part No.	Description	Qty	Remarks
1	STC8267	2	Battery wet - type 072
	STC8269	2	Battery dry - type 072
2	PRC9500	1	Lead battery positive
3	PRC9501	1	Lead battery positive
4	PRC5235	1	Lead battery negative
5	PRC5236	1	Lead battery negative
6	PRC5237	1	Earth lead
	AMR1057	1	Earth lead
7	PRC6188	1	Sleeve
8	MUC6514	2	Clamp battery
9	MUC6513	2	J Bolt - short
10	MRC7133	2	J Bolt - long
11	AFU1262	4	Washer plain
12	AFU1272	4	Nut wing

Model RANGE ROVER 1992 onwards  
 Page BDMXCA3A

**ELECTRICAL - BATTERY & BATTERY LEADS - 200TDI & 300TDI**



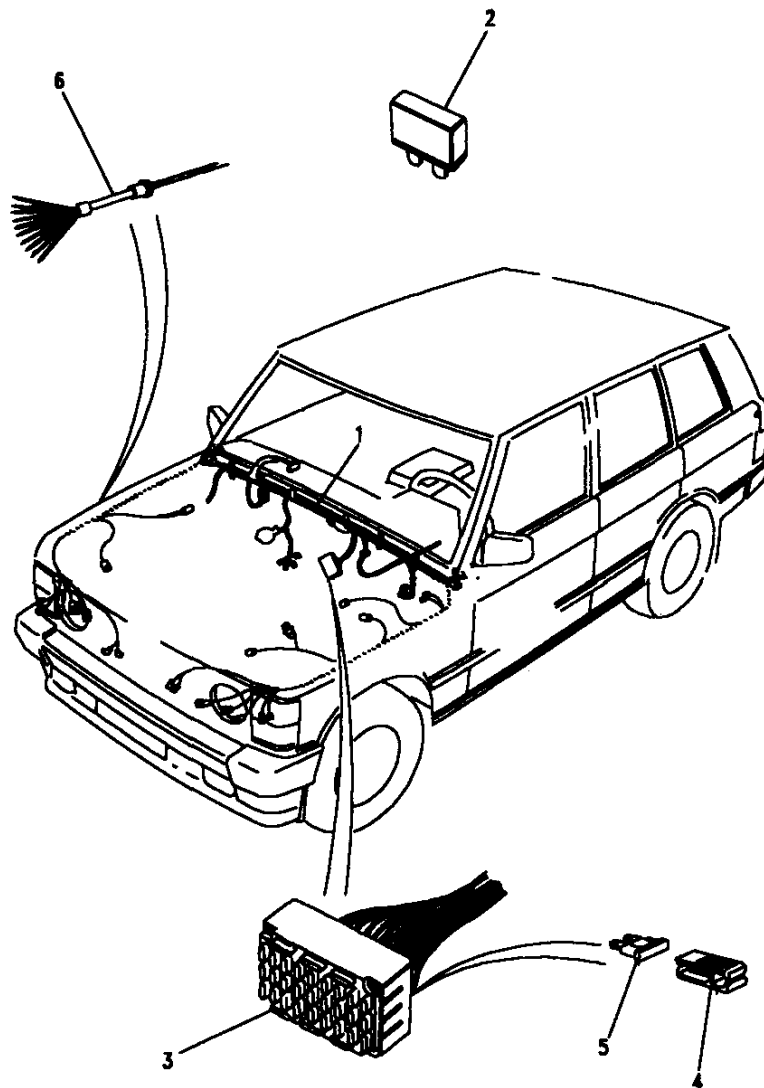
III. Part No.	Description	Qty	Remarks
1	STC8267 Battery wet - type 072	1	
	STC8269 Battery dry - type 072	1	
2	AMR1721 Lead battery - positive	1	Up to LA647644
	AMR3141 Lead battery - positive	1	From MA647645
3	PRC5235 Lead Battery - negative	1	
4	FS106167L Screw	1	
5	SH108251L Screw	1	
6	WA108051L Washer plain	1	
7	WL106001L Washer spring	1	
8	WL108001L Washer spring	1	
9	NH106041L Nut	1	
10	FN108041L Nut	1	
11	MUC6514 Clamp battery	1	Up to LA647644
	AMR3679 Clamp battery	1	From MA647645
12	MUC6513 J Bolt - short	1	Up to LA647644
	AMR3680 J bolt - short	1	From MA647645
13	MRC7133 J Bolt - long	1	Up to LA647644
	AMR3681 Stud - long	1	From MA647645
14	AFU1262 Washer plain	2	
15	NH106041L Nut	4	
16	MTC7451 Buffer	1	Up to LA647644



**Model** RANGE ROVER 1992 onwards  
**Page** BDMXCC1A

**ELECTRICAL - MAIN HARNESS - FROM JA610294 UP TO JA624780**

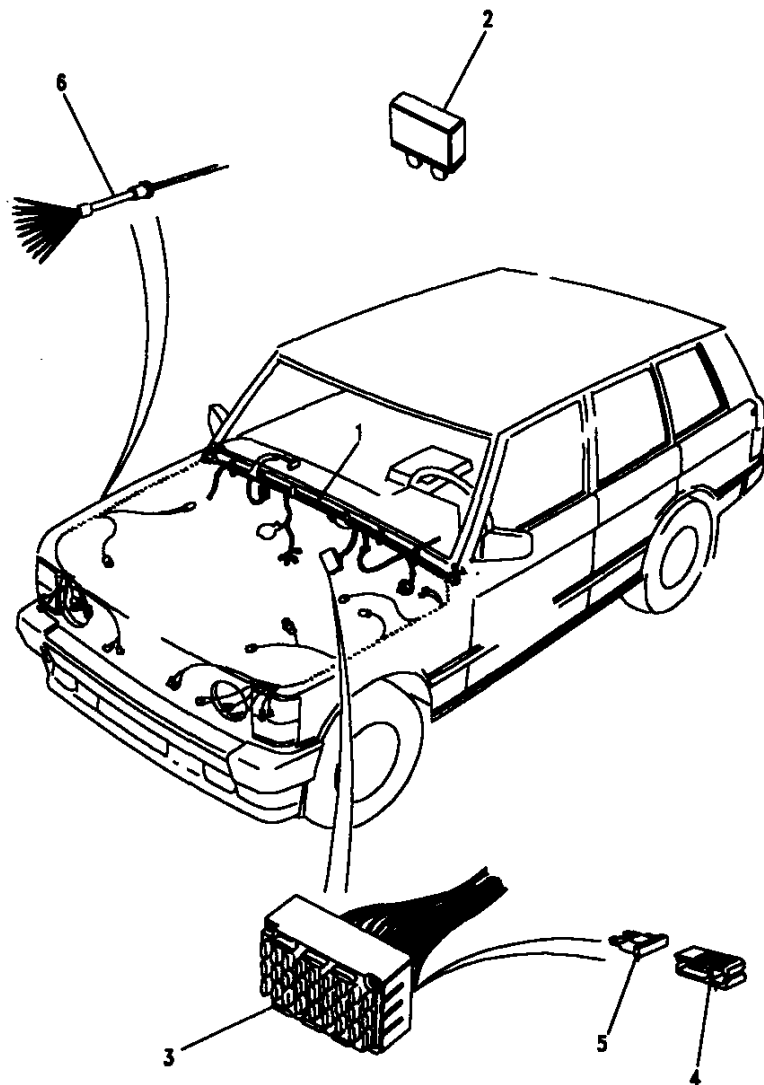
iii. Part No.	Description	Qty	Remarks
<b>Petrol basic - RHS</b>			
1 PRC9617	Harness main	1	Up to JA615854
PRC9922	Harness main	1	From JA615855
<b>Petrol basic - LHS</b>			
PRC9618	Harness main	1	Up to JA616998
PRC9923	Harness main	1	From JA616999
<b>Petrol with ABS - RHS</b>			
PRC9619	Harness main	1	Up to JA617001
PRC9924	Harness main	1	From JA617002
<b>Petrol with ABS - LHS</b>			
PRC9925	Harness main	1	
<b>Vogue SE</b>			
AMR1093	Harness main	1	RHS
AMR1092	Harness main	1	LHS
<b>Vogue SE - LHS - with memory seats non ABS</b>			
AMR1096	Harness main	1	
<b>Japan</b>			
AMR1119	Harness main	1	RHS
AMR1118	Harness main	1	LHS



**Model** RANGE ROVER 1992 onwards  
**Page** BDMXCC1A

**ELECTRICAL - MAIN HARNESS - FROM JA610294 UP TO JA624780**

III. Part No.	Description	Qty	Remarks
<b>VM Diesel basic - RHS</b>			
1 PRC9613	Harness main	1	Up to JA616043
PRC9918	Harness main	1	From JA616044
<b>VM Diesel basic - LHS</b>			
PRC9614	Harness main	1	Up to JA616935
PRC9919	Harness main	1	From JA616936
<b>VM Diesel with ABS - RHS</b>			
PRC9615	Harness main	1	Up to JA616900
PRC9920	Harness main	1	From JA616901
<b>VM Diesel with ABS - LHS</b>			
PRC9616	Harness main	1	Up to JA616271
PRC9921	Harness main	1	From JA616272
<b>All variants</b>			
2 RTC6345	Circuit breaker	1	
3 STC659	Fuse box	1	
4 PRC4412	Extractor fuse	1	
5 RTC4481	Fuse 3A	A/R	
RTC4497	Fuse 5A	A/R	
RTC4498	Fuse 7.5A	A/R	
RTC4501	Fuse 10A	A/R	
RTC4503	Fuse 15A	A/R	
RTC4504	Fuse 20A	A/R	
RTC4506	Fuse 25A	A/R	
RTC4507	Fuse 30A	A/R	
6 AMR3928	Kit repair fusible link	1	

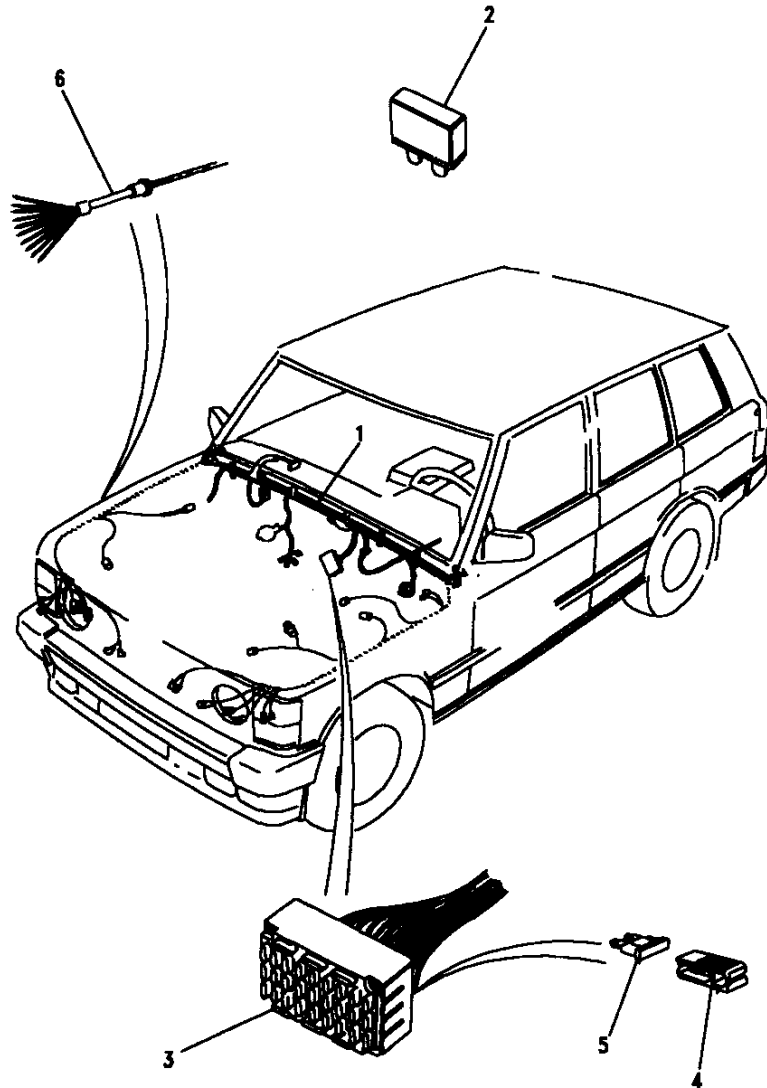


**Model** RANGE ROVER 1992 onwards  
**Page** BDMXCC1A

**ELECTRICAL - MAIN HARNESS - FROM KA624781 UP TO LA647644**

III. Part No.	Description	Qty	Remarks
<b>Petrol basic - RHS</b>			
1 AMR1976	Harness main	1	
<b>Petrol basic - LHS</b>			
AMR1977	Harness main	1	Up to KA628839
AMR2721	Harness main	1	From KA628840
AMR3187	Harness main	1	Up to KA640177 From KA640178
<b>Petrol with ABS - RHS</b>			
AMR2722	Harness main	1	Up to KA632718
AMR2926	Harness main	1	From KA632719
AMR3190	Harness main	1	Up to KA640177 From KA640178
<b>Petrol with ABS - LHS</b>			
AMR1979	Harness main	1	Up to KA628713
AMR2723	Harness main	1	From KA628714
AMR2921	Harness main	1	Up to KA633035 From KA633036
AMR3189	Harness main	1	Up to KA640177 From KA640178
<b>Petrol with air suspension non ABS - RHS</b>			
AMR1976	Harness main	1	Up to KA628503
AMR2720	Harness main	1	From KA628504
AMR3188	Harness main	1	Up to KA640177 From KA640178

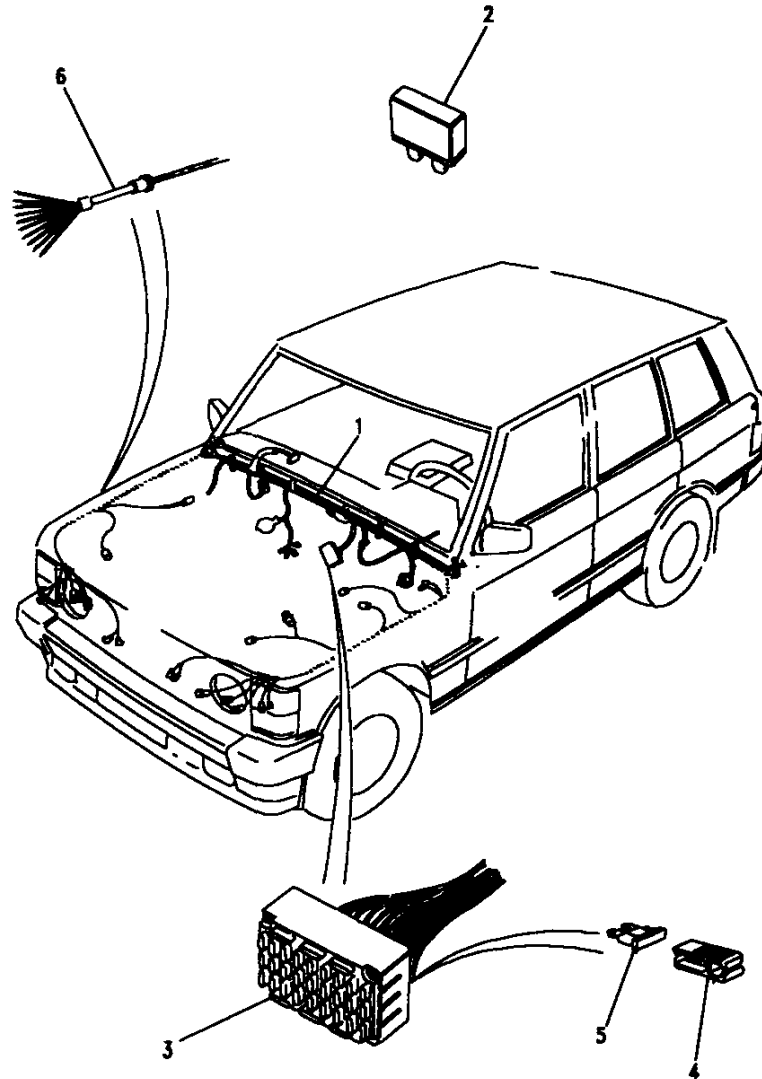




**Model** RANGE ROVER 1992 onwards  
**Page** BDMXCC1A

**ELECTRICAL - MAIN HARNESS - FROM KA624781 UP TO LA647644**

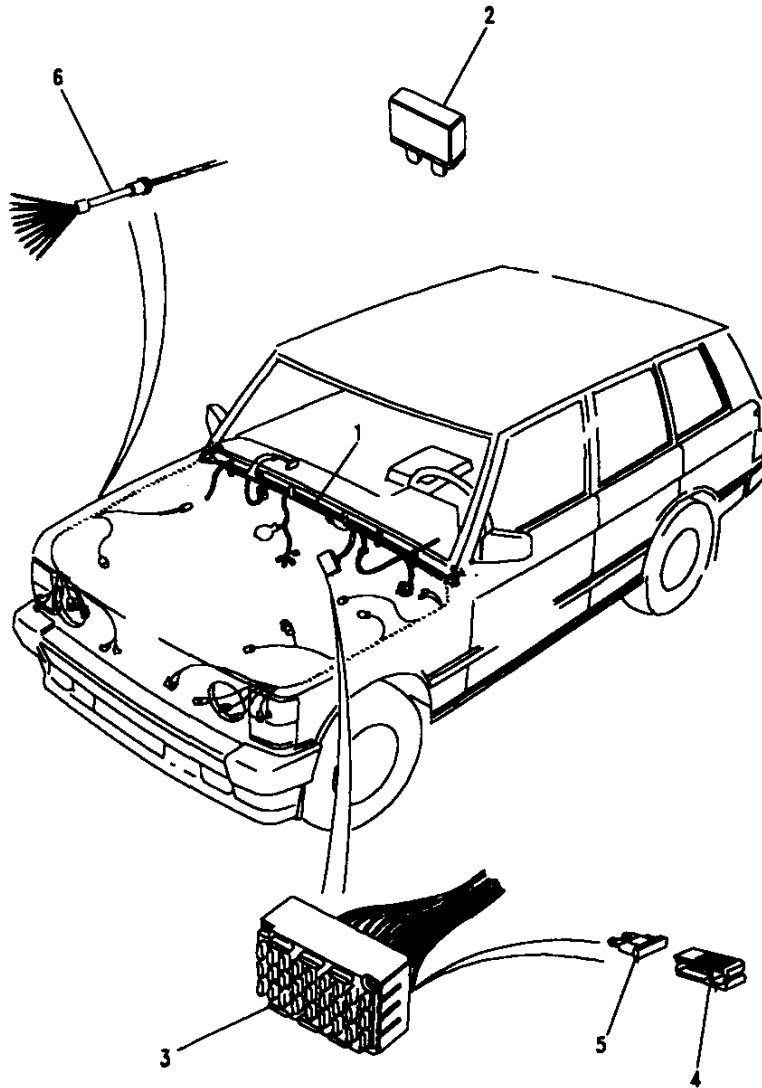
III. Part No.	Description	Qty	Remarks
<b>Petrol with air suspension &amp; memory seats no ABS - LHS</b>			
1 AMR1986	Harness main	1	Up to KA628556
AMR2727	Harness main	1	From KA628557 Up to KA640177
AMR3193	Harness main	1	From KA640178
<b>Petrol with air suspension &amp; memory seats &amp; ABS - RHS</b>			
AMR1980	Harness main	1	Up to KA628299
AMR2724	Harness main	1	From KA628300 Up to KA632991
AMR2927	Harness main	1	From KA632992 Up to KA640177
AMR3192	Harness main	1	From KA640178
<b>Petrol with air suspension &amp; memory seats &amp; ABS - LHS</b>			
AMR1981	Harness main	1	Up to KA628838
AMR2725	Harness main	1	From KA628839 Up to KA632876
AMR2922	Harness main	1	From KA632877 Up to KA640177
AMR3191	Harness main	1	From KA640178
<b>Japan with air suspension - RHS</b>			
AMR1982	Harness main	1	Up to KA629050
AMR2726	Harness main	1	From KA629051 Up to KA632937
AMR2928	Harness main	1	From KA632938 Up to KA640177
AMR3194	Harness main	1	From KA640178



**Model** RANGE ROVER 1992 onwards  
**Page** BDMXCC1A

**ELECTRICAL - MAIN HARNESS - FROM KA624781 UP TO LA647644**

Ill. Part No.	Description	Qty	Remarks
<b>200TDI non ABS - RHS</b>			
1 AMR1988	Harness main	1	Up to KA628417
AMR2728	Harness main	1	From KA628418
AMR3184	Harness main	1	Up to KA640177 From KA640178
<b>200TDI non ABS - LHS</b>			
AMR1987	Harness main	1	Up to KA628699
AMR2729	Harness main	1	From KA628700
AMR3183	Harness main	1	Up to KA640177 From KA640178
<b>200TDI with ABS - RHS</b>			
AMR1990	Harness main	1	Up to KA628706
AMR2730	Harness main	1	From KA628707
AMR2929	Harness main	1	Up to KA632978 From KA632979
AMR3186	Harness main	1	Up to KA640177 From KA640178
<b>200TDI with ABS - LHS</b>			
AMR1989	Harness main	1	Up to KA628864
AMR2731	Harness main	1	From KA628865
AMR2925	Harness main	1	up to KA632604 From KA632605
AMR3185	Harness main	1	Up to KA640177 From KA640178



**Model** RANGE ROVER 1992 onwards  
**Page** BDMXCC1A

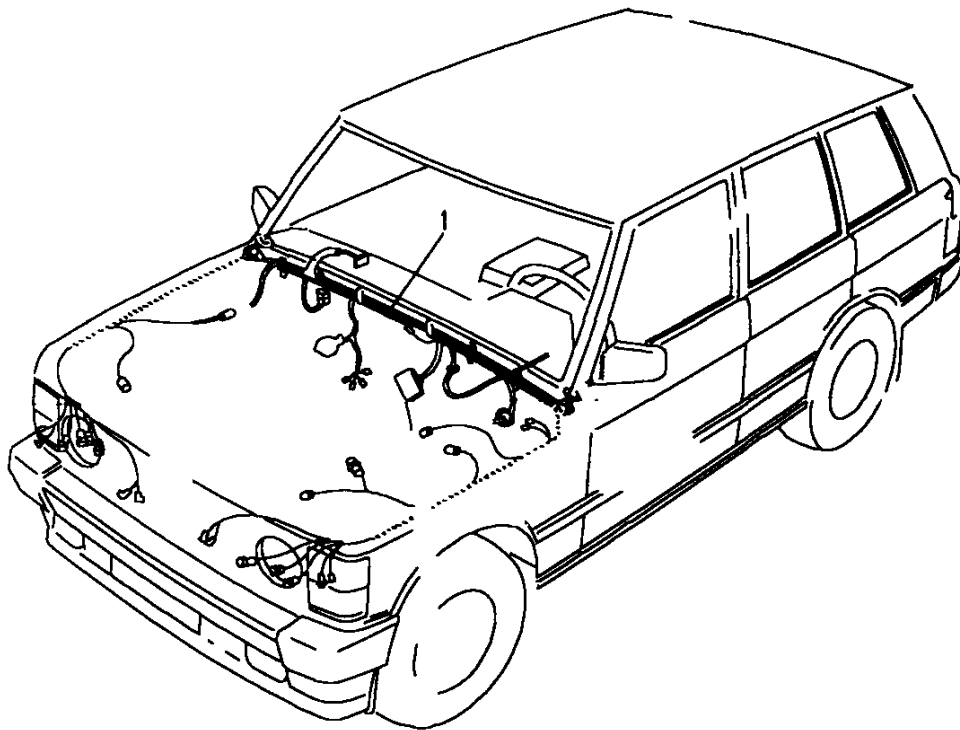
**ELECTRICAL - MAIN HARNESS - FROM KA624781 UP TO LA647644**

III. Part No.	Description	Qty	Remarks
200TDI with ABS - H/Lamp levelling - Belgium only			
1 AMR2915	Harness main	1	From KA632362
200TDI non ABS - H/Lamp levelling - Belgium only			
AMR2914	Harness main	1	From KA632362
<b>All variants</b>			
2 RTC6345	Circuit breaker	1	
3 STC659	Fuse box	1	
4 PRC4412	Extractor fuse	1	
5 RTC4481	Fuse 3A	A/R	
RTC4497	Fuse 5A	A/R	
RTC4498	Fuse 7.5A	A/R	
RTC4501	Fuse 10A	A/R	
RTC4503	Fuse 15A	A/R	
RTC4504	Fuse 20A	A/R	
RTC4506	Fuse 25A	A/R	
RTC4507	Fuse 30A	A/R	
6 AMR3928	Kit repair fusible link	1	

**Model** RANGE ROVER 1992 onwards  
**Page** BDMXCC4A

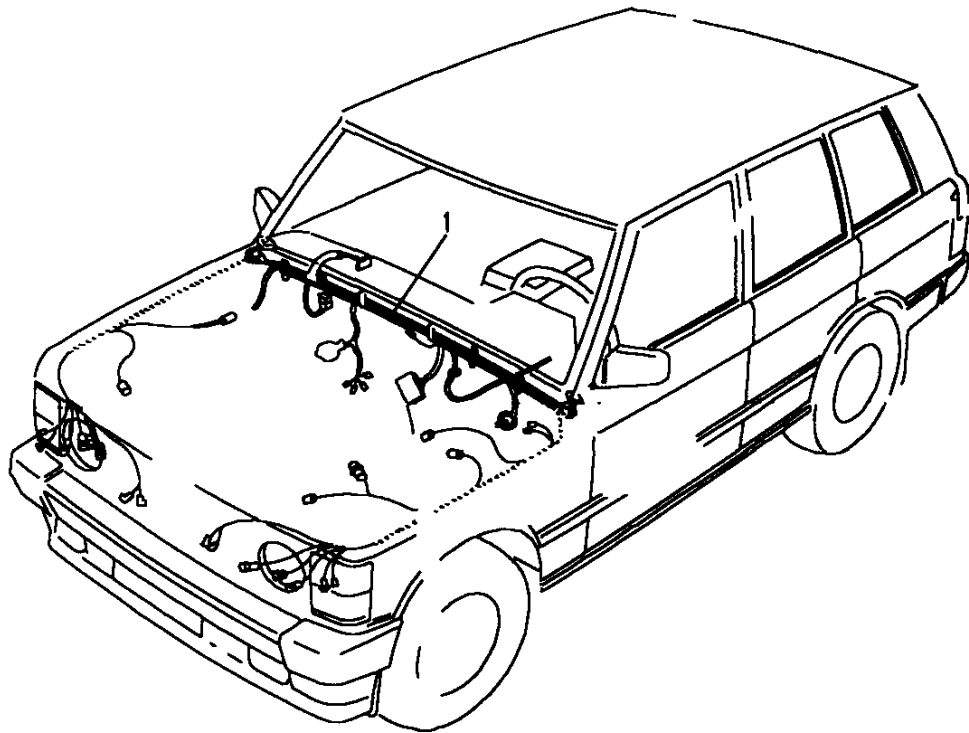
**ELECTRICAL - MAIN HARNESS - FROM MA647645**

III. Part No.	Description	Qty	Remarks
<b>RHS</b> 1 AMR3509	Harness main	1	
<b>RHS - with ABS</b> AMR3511	Harness main	1	
<b>RHS - with cruise control</b> AMR3513	Harness main	1	
<b>RHS - with cruise control &amp; ABS</b> AMR3515	Harness main	1	
<b>RHS - with cruise control, memory seats &amp; ABS</b> AMR3520	Harness main	1	
<b>RHS - Japan only</b> AMR3521	Harness main	1	



**Model** RANGE ROVER 1992 onwards  
**Page** BDMXCC4A

**ELECTRICAL - MAIN HARNESS - FROM MA647645**

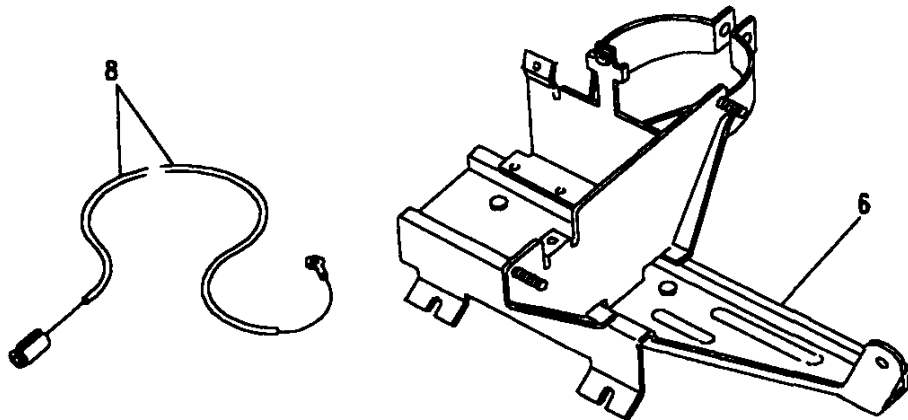
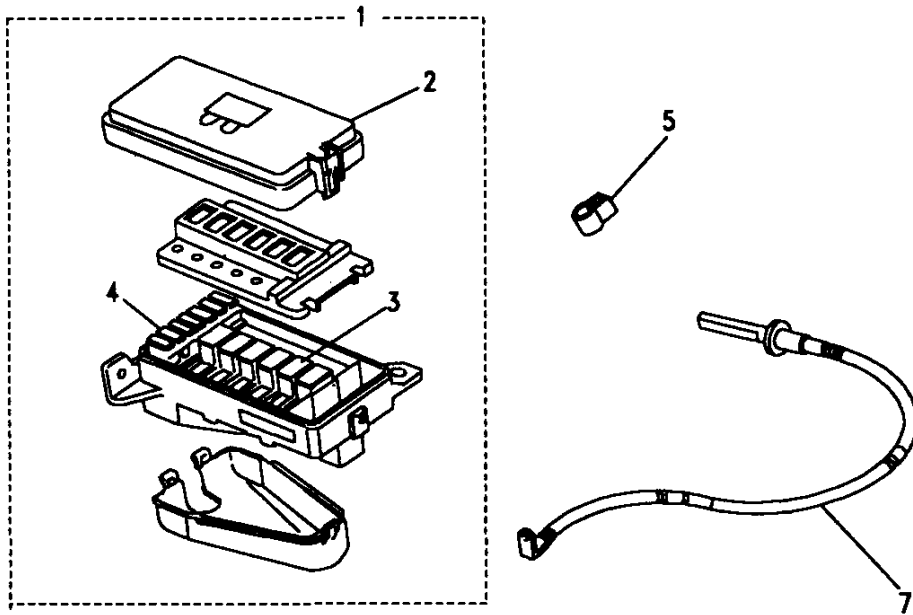


III. Part No.	Description	Qty	Remarks
<b>LHS</b>			
1 AMR3510	Harness main	1	
<b>LHS - with ABS</b>			
AMR3512	Harness main	1	
<b>LHS - with cruise control</b>			
AMR3514	Harness main	1	
<b>LHS - with cruise control &amp; ABS</b>			
AMR3516	Harness main	1	
<b>LHS - with cruise control &amp; memory seats</b>			
AMR3522	Harness main	1	
<b>LHS - with cruise control, memory seats &amp; ABS</b>			
AMR3519	Harness main	1	

**Model** RANGE ROVER 1992 onwards  
**Page** BDMXCC48

**ELECTRICAL - MAIN HARNESS - FROM MA647645**

III. Part No.	Description	Qty	Remarks
<b>Fuse box underbonnet - all variants</b>			
1	AMR3031	1	Fuse box
2	AMR3032	1	Cover fusebox
3	STC1757	1	Fusible link - 100A
	STC1758	3	Fusible link - 60A
	STC1760	2	Fusible link - 30A
4	RTC4507	3	Fuse - 30A
	RTC4504	3	Fuse - 20A
	RTC4503	1	Fuse - 15A
5	STC1761	1	Extractor fuse
6	ESR2958	1	Bracket fusebox
<b>Fuse box link leads</b>			
7	AMR3546	1	Lead fusebox
8	AMR3545	1	Lead heated screen fuse



**Model** RANGE ROVER 1992 onwards  
**Page** BDMXCC5B

**ELECTRICAL - MAIN HARNESS - FROM MA647645**

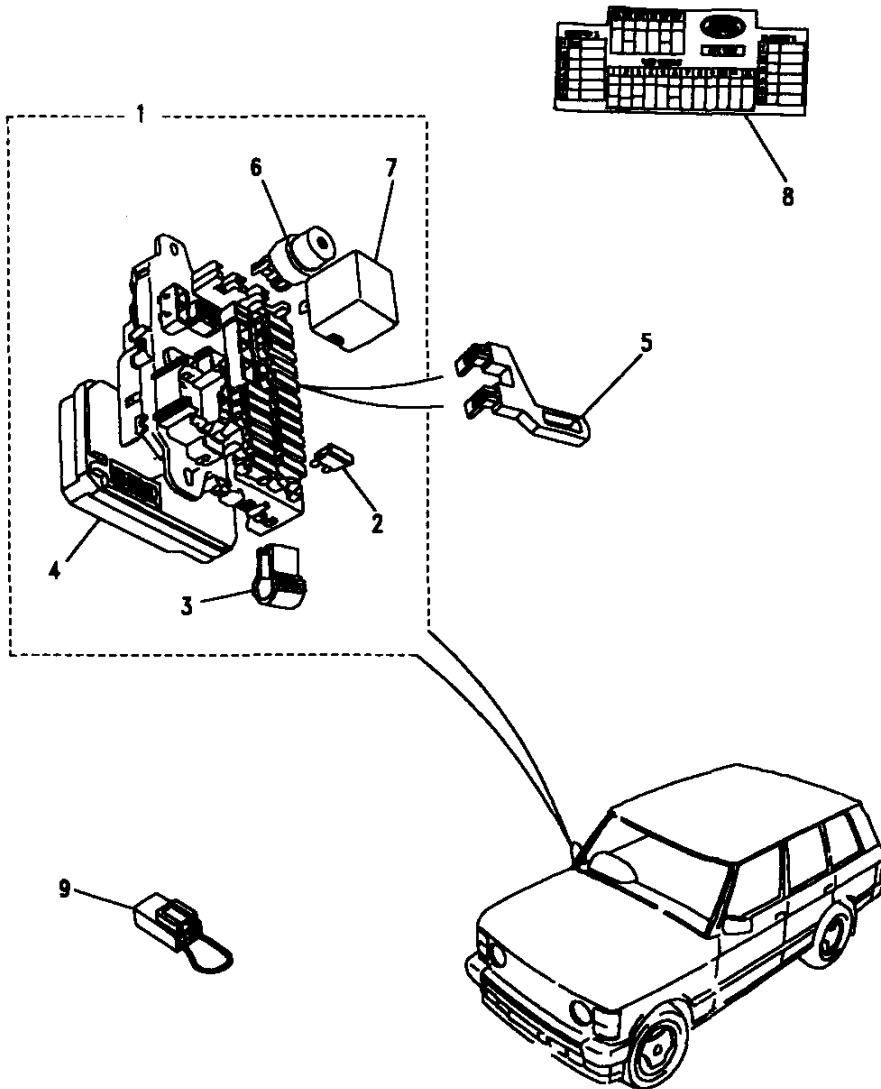
**III. Part No. Description Qty Remarks**

**Fuse box interior - all variants**

Part No.	Description	Qty	Remarks
1 AMR1552	Fuse box	1	
2 RTC4504	Fuse - 20A	3	
RTC4503	Fuse - 15A	2	
RTC4501	Fuse - 10A	18	
3 STC1761	Extractor fuse	1	
4 AMR1280	Multi function unit	1	
5 AMR3434	Inhibitor SRS	1	
6 DJP8473L	Relay - rear defrost	1	
7 YWT10002	Flasher unit	1	With trailer socket
YWT10003	Flasher unit	1	No trailer socket
8 AMR3468	Label fuse	1	

**Fuse box link leads**

9 AMR3140	Lead - MFU to main harness	1	Gulf only
-----------	----------------------------	---	-----------



**Model** RANGE ROVER 1992 onwards

**Page** BDMXCE1A

**ELECTRICAL - BODY HARNESS - FROM JA610294 UP TO JA624780**

**III. Part No. Description Qty Remarks**

**Vehicles without CD player**

1 PRC9639 Harness body RH 1

**Vehicles with Clarion CD**

PRC9641 Harness body RH 1

**Vehicles with Pioneer CD**

PRC9640 Harness body RH 1

**Vehicles without electric sunroof or heated front screen**

2 PRC9633 Harness body LH 1

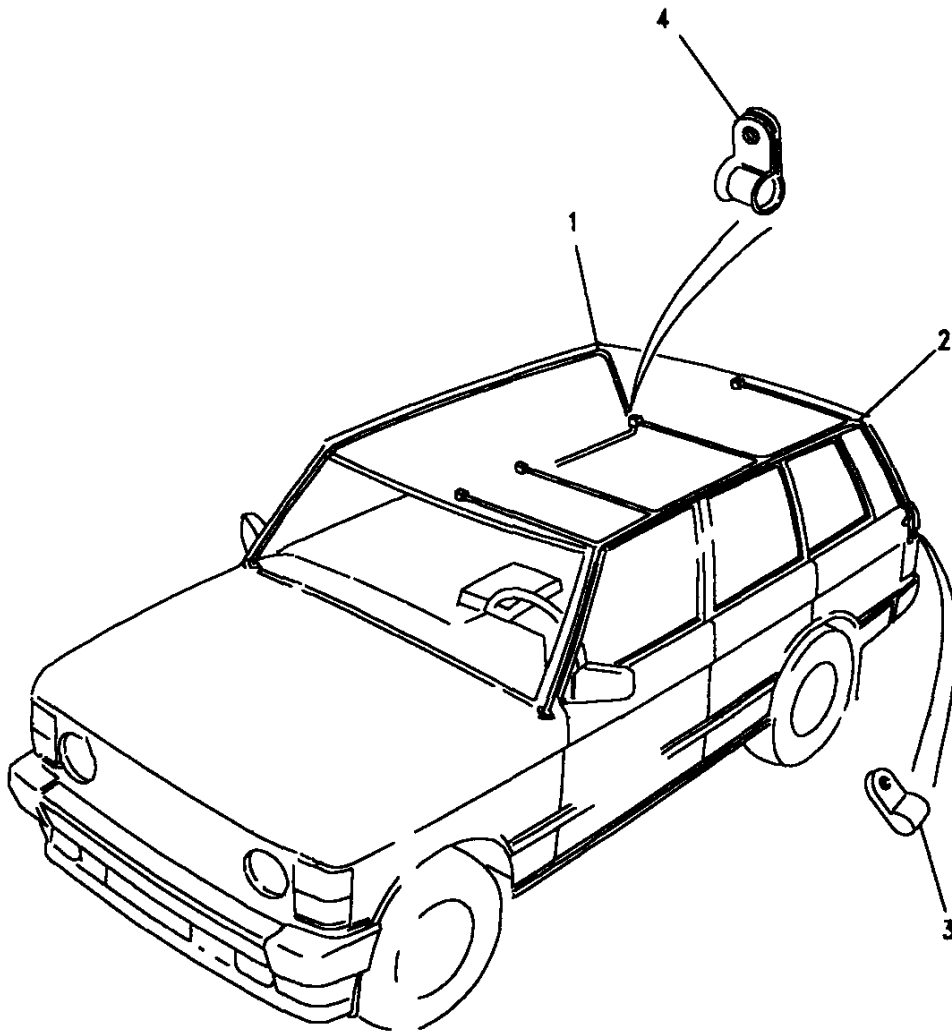
**Vehicles with sunroof or heated screen or illuminated interior mirror**

PRC9634 Harness body LH 1

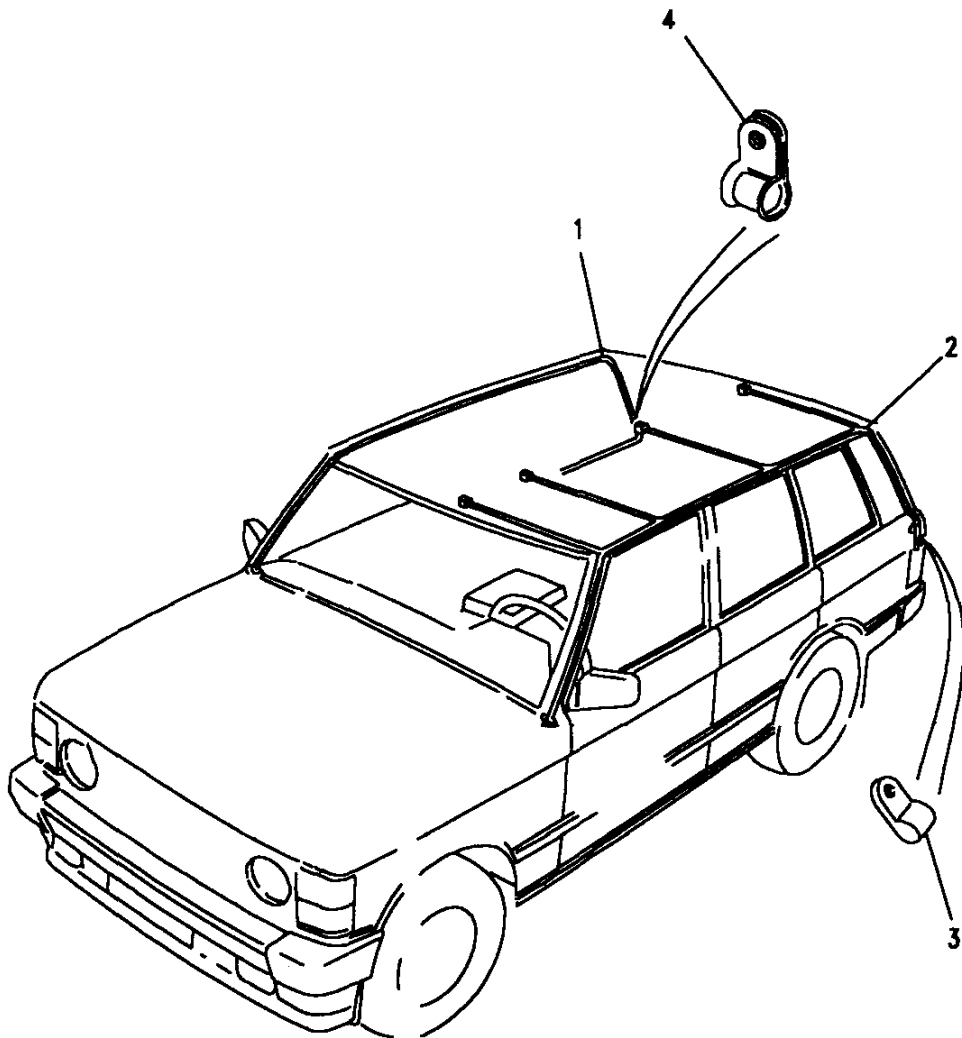
**All variants**

3 PRC4543 Clip 2

4 56666 Clip 2



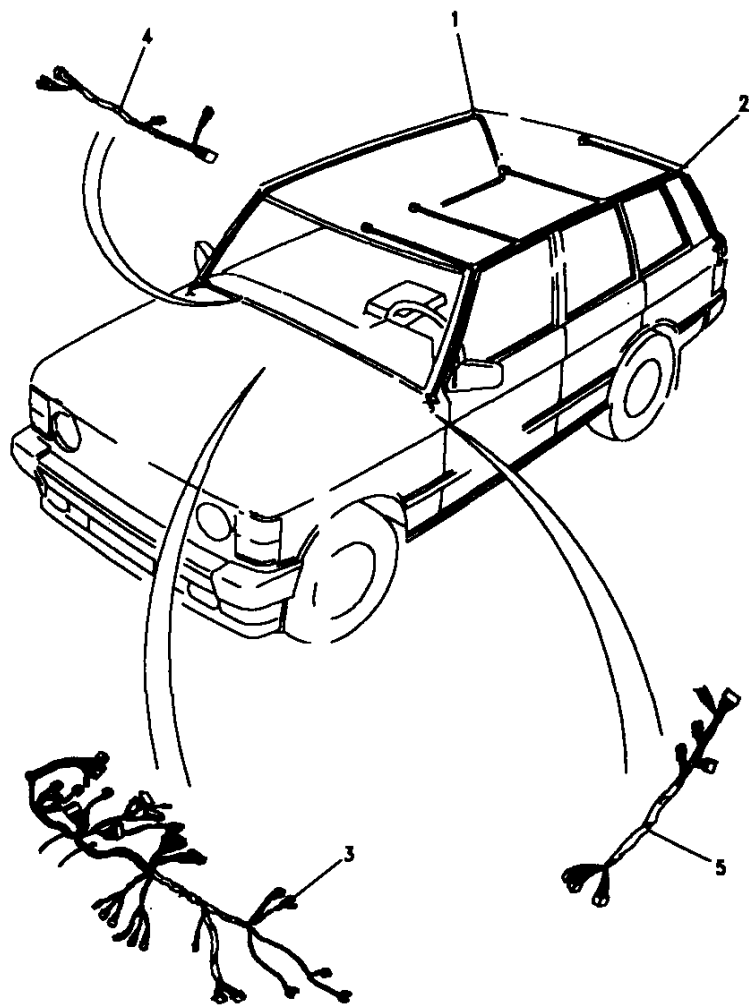




**Model** RANGE ROVER 1992 onwards  
**Page** BDMXCE1A

**ELECTRICAL - BODY HARNESS - FROM KA624781 UP TO LA647644**

III. Part No.	Description	Qty	Remarks
<b>2 door</b>			
1 AMR1949	Harness body RH	1	
2 AMR1957	Harness body LH	1	
<b>4 door basic</b>			
1 AMR1950	Harness body RH	1	
2 AMR2308	Harness body LH	1	
<b>4 door Vogue</b>			
1 AMR1951	Harness body RH	1	UK only
AMR1950	Harness body RH	1	
2 AMR2308	Harness body LH	1	
<b>4 door Vogue SE</b>			
1 AMR2375	Harness body RH	1	UK & Japan
AMR1951	Harness body RH	1	
2 AMR1960	Harness body LH	1	UK & Japan
AMR2308	Harness body LH	1	
<b>4 door 108" LSE</b>			
1 AMR2321	Harness body RH	1	UK & Japan
AMR2320	Harness body RH	1	
2 AMR2319	Harness body LH	1	UK & Japan
AMR2318	Harness body LH	1	
<b>All variants</b>			
3 PRC4543	Clip	2	
4 56686	Clip	2	



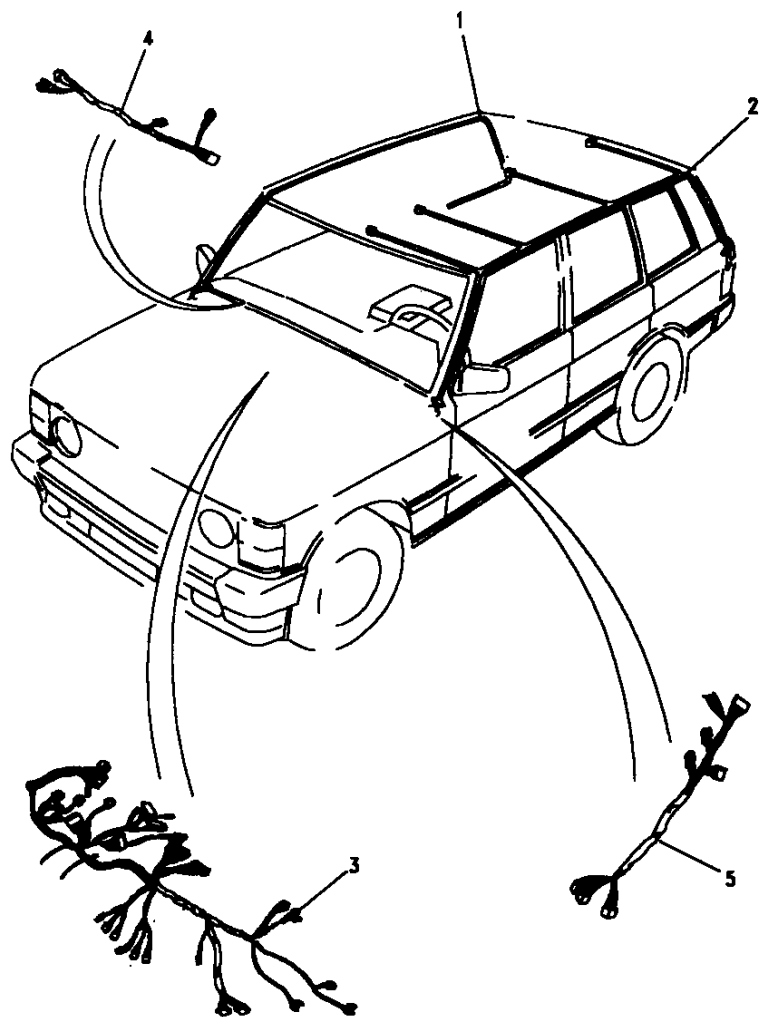
**Model** RANGE ROVER 1992 onwards  
**Page** BDMXCE5A

**ELECTRICAL - BODY HARNESS - FROM MA647645**

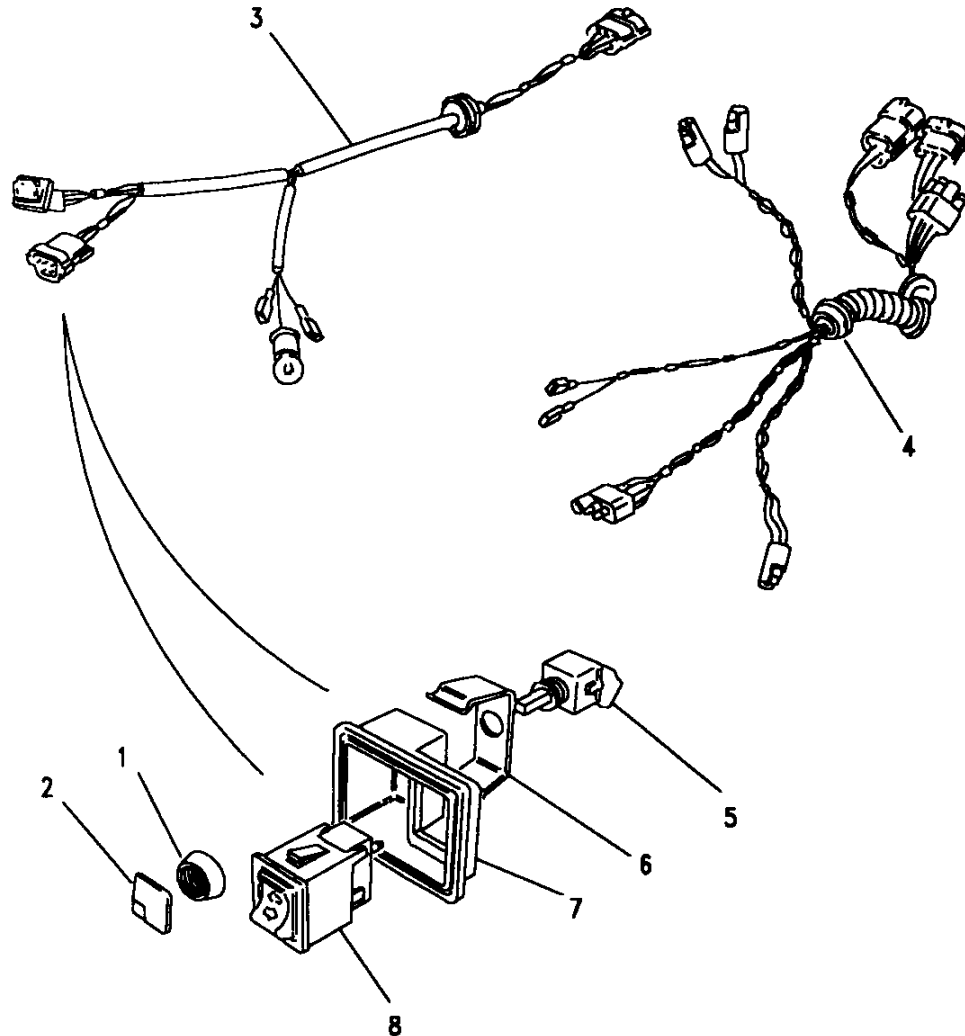
III. Part No.	Description	Qty	Remarks
<b>100" wheelbase - vehicles without radio or with base option only</b>			
1 AMR3523	Harness body - RH	1	
2 AMR3531	Harness body - LH	1	
<b>100" wheelbase - vehicles with rear load-space subwoofer</b>			
1 AMR3524	Harness body - RH	1	
2 AMR3531	Harness body - LH	1	
<b>108" wheelbase</b>			
1 AMR3526	Harness body - RH	1	
2 AMR3528	Harness body - LH	1	
<b>100" wheelbase - Japan</b>			
1 AMR3525	Harness body - RH	1	
2 AMR3529	Harness body - LH	1	
<b>108" wheelbase - Japan</b>			
1 AMR3527	Harness body - RH	1	
2 AMR3530	Harness body - LH	1	

**Model** RANGE ROVER 1992 onwards  
**Page** BDMXCE5A

**ELECTRICAL - BODY HARNESS - FROM MA647645**



III. Part No.	Description	Qty	Remarks
<b>Facia harness</b>			
3 AMR3537	Harness facia - RHD	1	
AMR3539	Harness facia - RHD	1	With air susp.
AMR3536	Harness facia - LHD	1	
AMR3538	Harness facia - LHD	1	With air susp.
AMR3540	Harness facia	1	Japan
<b>Heater &amp; air con. switch links</b>			
4 AMR3613	Cable assembly heater	1	
AMR3614	Cable assembly air con	1	
<b>Steering column harness</b>			
5 AMR3579	Harness - horn only	1	
AMR3580	Harness - CC/SRS	1	
AMR3581	Harness - interlock	1	
AMR3582	Harness - int'lock CC/SRS	1	
AMR3374	Harness - non SRS	1	Japan



**Model** RANGE ROVER 1992 onwards  
**Page** BDMXCE2A

**ELECTRICAL - DOOR HARNESS - 2 DOOR - UP TO LA647644**

III. Part No.	Description	Qty	Remarks
1	PRC4273	1	
2	DRC2495	1	
<b>Drivers side</b>			
3	PRC7248	1	Cable assy mirror switch
4	PRC9293	1	Harness door
	AMR1049	1	Harness door
	AMR1968	1	Harness door
<b>Drivers side with alarm provision</b>			
	AMR1969	1	Harness door
<b>Passengers side</b>			
3	PRC7249	1	Cable assy mirror switch
4	PRC9292	1	Harness window lift
	AMR1048	1	Harness window lift
	AMR1967	1	Harness window lift
<b>All variants</b>			
5	DRC2481	1	Switch mirror control
6	MWC2379	1	Spring retaining
7	MWC1577	1	Finisher
8	PRC5751	1	Switch mirror change

**Model** RANGE ROVER 1992 onwards  
**Page** BDMXCE3A

**ELECTRICAL - DOOR HARNESS - 4 DOOR - UP TO LA647644**

III. Part No.	Description	Qty	Remarks
1 PRC4273	Ring locking	1	
2 DRC2495	Knob	1	
3 PRC8800	Cable assembly	1	

**Vehicles with memory mirrors**

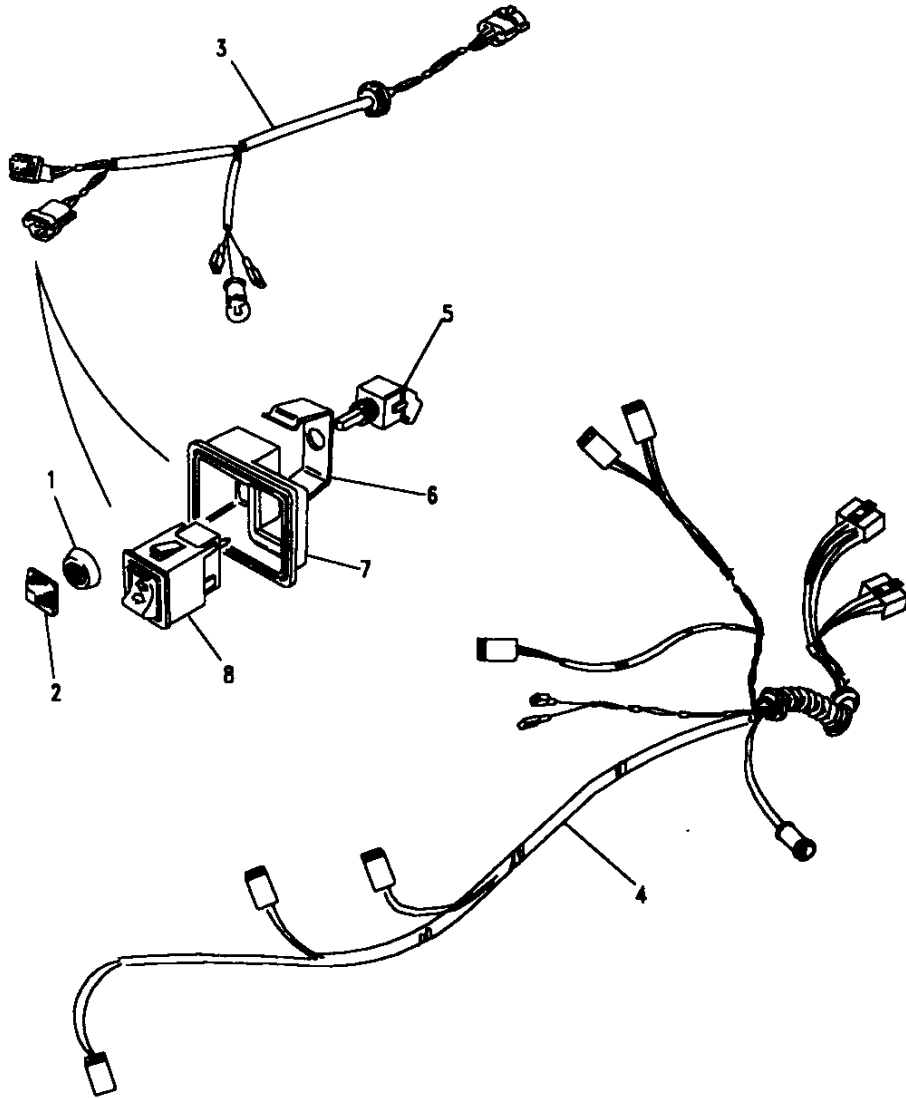
4 PRC9290	Harness door front	2	Up to JA614047
AMR1046	Harness door front	2	From JA614048 up to JA624755
AMR1965	Harness door front	2	From KA624756

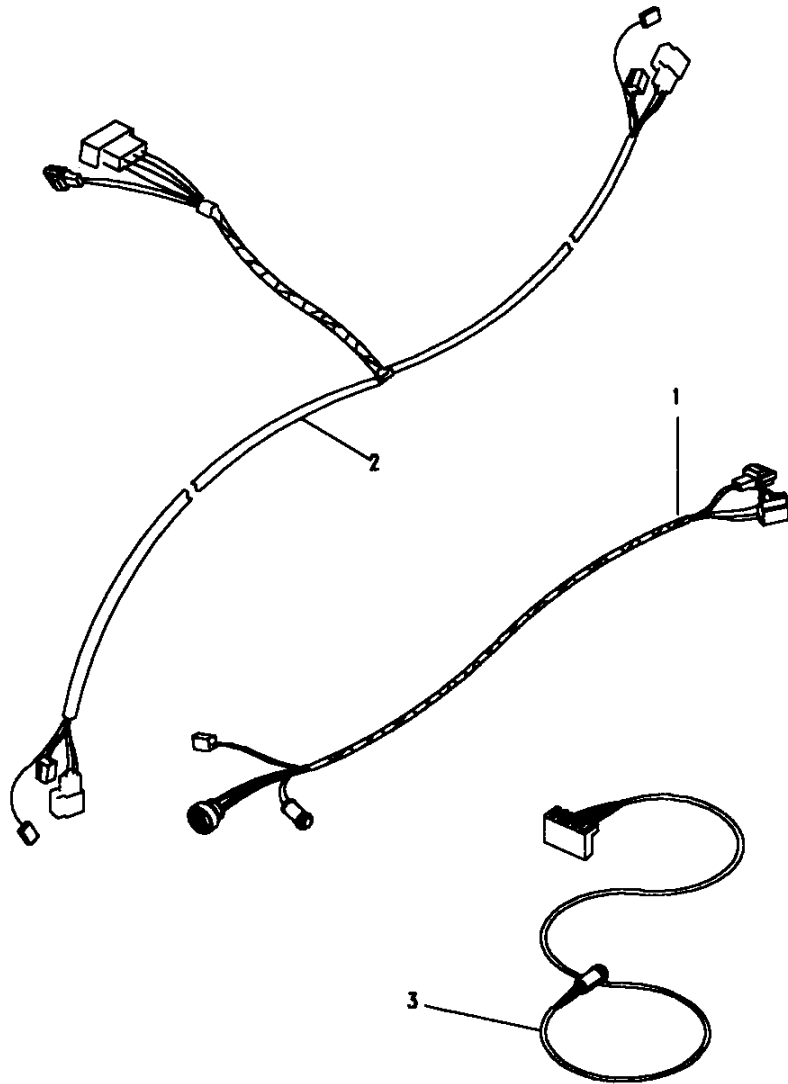
**Vehicles without memory mirrors**

PRC9291	Harness door front	2	Up to JA613693
AMR1047	Harness door front	2	From JA613694 up to JA624755
AMR1966	Harness door front	2	From KA624756

**All variants**

5 DRC2481	Switch control - 6 pin	1	Non memory
PRC5752	Switch control - 5 pin	1	Memory
6 MWC2379	Spring retaining	1	
7 MWC1577	Finisher	1	
8 PRC5751	Switch mirror change	1	

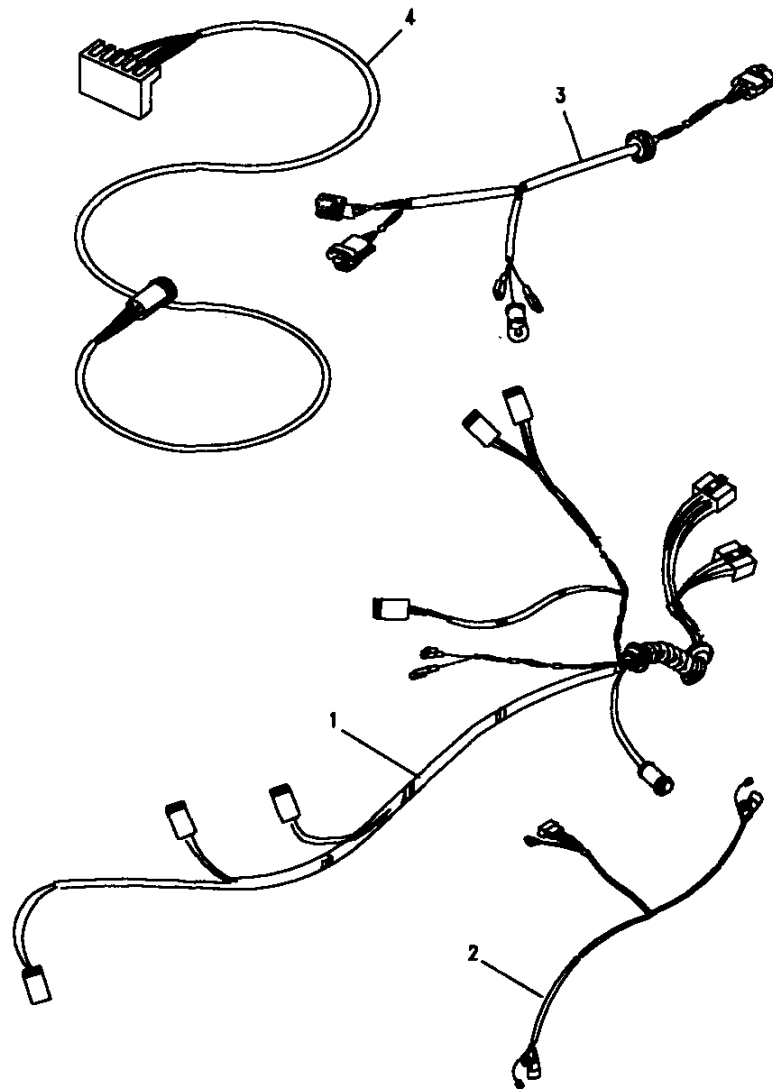




**Model** RANGE ROVER 1992 onwards  
**Page** BDMXCE4B

**ELECTRICAL - DOOR HARNESS - 4 DOOR - UP TO LA647644**

III. Part No.	Description	Qty	Remarks
<b>100" wheelbase - rear door harness</b>			
1	PRC9294	2	Up to LA644138
	AMR3855	2	From LA644139
2	PRC9295	1	Up to LA644138
	AMR3856	1	From LA644139
<b>108" wheelbase - rear door harness</b>			
1	AMR2065	2	Up to LA647644
2	PRC9532	1	Up to KA624755
	AMR1716	1	From KA624756
<b>Window switch link lead</b>			
3	PRC7169	1	Link lead RH - 100"
	PRC7170	1	Link lead LH - 100"
	AMR1090	1	Link lead RH - 108"
	AMR1091	1	Link lead LH - 108"



**Model** RANGE ROVER 1992 onwards  
**Page** BDMXCE6A

**ELECTRICAL - DOOR HARNESS - FROM MA647645**

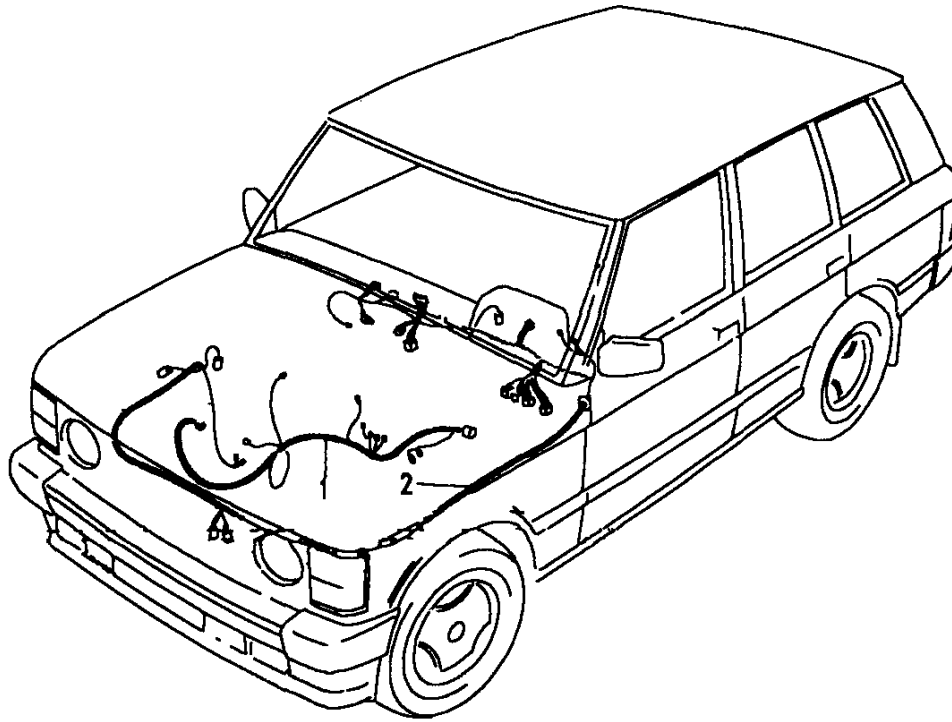
III. Part No.	Description	Qty	Remarks
<b>Front door harness</b>			
1 AMR3541	Harness door front	2	
AMR3542	Harness door front	2	Memory mirrors
<b>Rear door harness</b>			
2 PRC9295	Harness rear door service	1	100" wheelbase
AMR3210	Harness rear door service	1	108" wheelbase
3 AMR3208	Harness door rear - 100"	2	
AMR3209	Harness door rear - 108"	2	
<b>Window switch link lead</b>			
4 PRC7169	Link lead RH - 100"	1	
PRC7170	Link lead LH - 100"	1	
AMR1090	Link lead RH - 108"	1	
AMR1091	Link lead LH - 108"	1	
<b>Tailgate harness</b>			
5 AMR3289	Harness tailgate	1	

Note(1) For mirror control switch see page 509

**Model** RANGE ROVER 1992 onwards  
**Page** BDMXCF1B

**ELECTRICAL - ENGINE HARNESS - UP TO LA647644**

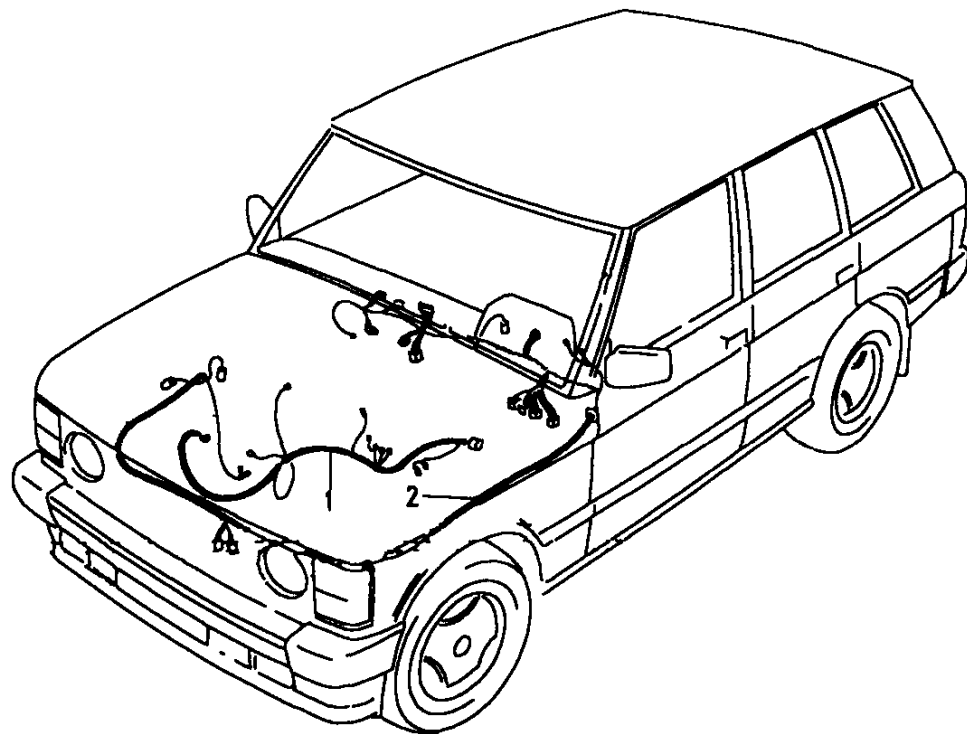
III. Part No.	Description	Qty	Remarks
<b>V8 Petrol - RHS/LHS - Engine harness</b>			
1 PRC9296	Harness engine	1	Up to JA624755
AMR1947	Harness engine	1	From KA624756 up to KA630644
AMR2617	Harness engine	1	From KA630645
<b>V8 Petrol - RHS - Air conditioning harness</b>			
2 PRC9256	Harness air conditioning	1	Up to JA617613
AMR1122	Harness air conditioning	1	From JA617614 up to JA624755
AMR2208	Harness air conditioning	1	From KA624756
<b>V8 Petrol - LHS - Air conditioning harness</b>			
PRC9638	Harness air conditioning	1	Up to JA617649
AMR1125	Harness air conditioning	1	From JA617650 up to JA624755
AMR2211	Harness air conditioning	1	From KA624756





**Model** RANGE ROVER 1992 onwards  
**Page** BDMXCF1B

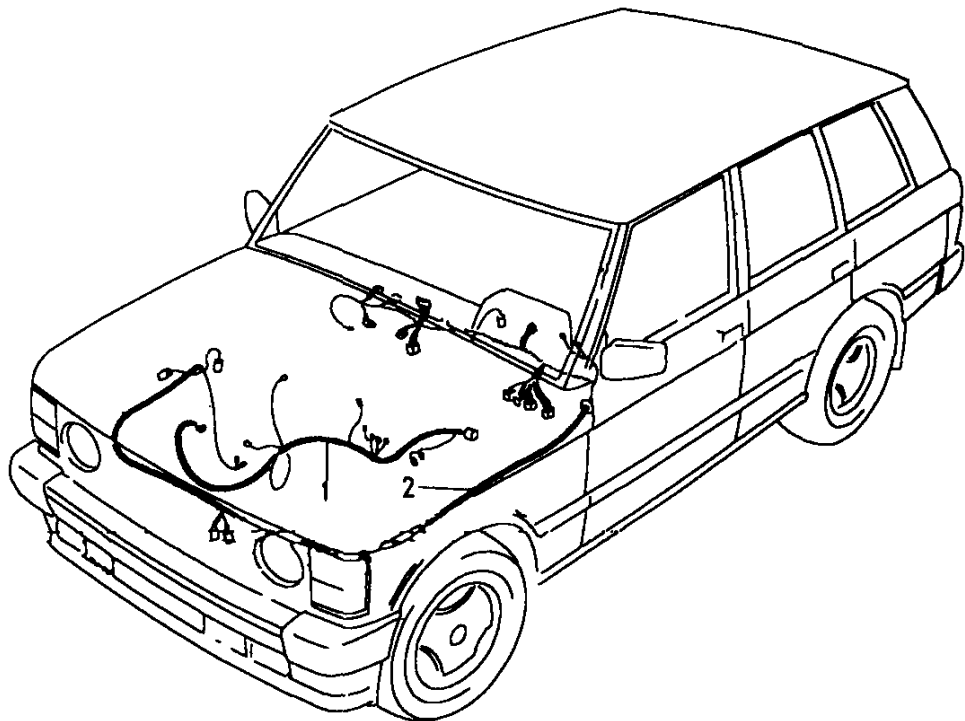
**ELECTRICAL - ENGINE HARNESS - UP TO LA647644**



III. Part No.	Description	Qty	Remarks
<b>VM Diesel - RHS - Engine harness</b>			
1 PRC9468	Harness engine	1	Up to JA614832
AMR1045	Harness engine	1	From JA614833
<b>VM Diesel - LHS - Engine harness</b>			
PRC9467	Harness engine	1	
<b>VM Diesel - RHS - Air conditioning harness</b>			
2 PRC9258	Harness air conditioning	1	Up to JA617990
AMR1123	Harness air conditioning	1	From JA617991
<b>VM Diesel - LHS - Air conditioning harness</b>			
PRC9259	Harness air conditioning	1	Up to JA617897
AMR1124	Harness air conditioning	1	From JA617898

**Model** RANGE ROVER 1992 onwards  
**Page** BDMXCF1B

**ELECTRICAL - ENGINE HARNESS - UP TO LA647644**



III. Part No.	Description	Qty	Remarks
<b>200TDI Diesel - Engine harness</b>			
1 AMR1710	Harness engine	1	
<b>200TDI - LHS - Air conditioning harness</b>			
2 AMR2212	Harness air conditioning	1	
<b>200TDI - RHS - Air conditioning harness</b>			
AMR2213	Harness air conditioning	1	

**Model** RANGE ROVER 1992 onwards  
**Page** BDMXCF2A

**ELECTRICAL - ENGINE HARNESS - V8 PI - FROM MA647645**

**III. Part No. Description Qty Remarks**

**Vehicles without catalyst or air-conditioning**

1	AMR3623	Harness engine	1	Up to MA651072
	AMR3950	Harness engine	1	From MA651073

**Vehicles with catalyst only**

	AMR3622	Harness engine	1	Up to MA651072
	AMR3949	Harness engine	1	From MA651073

**Vehicles with air-conditioning only**

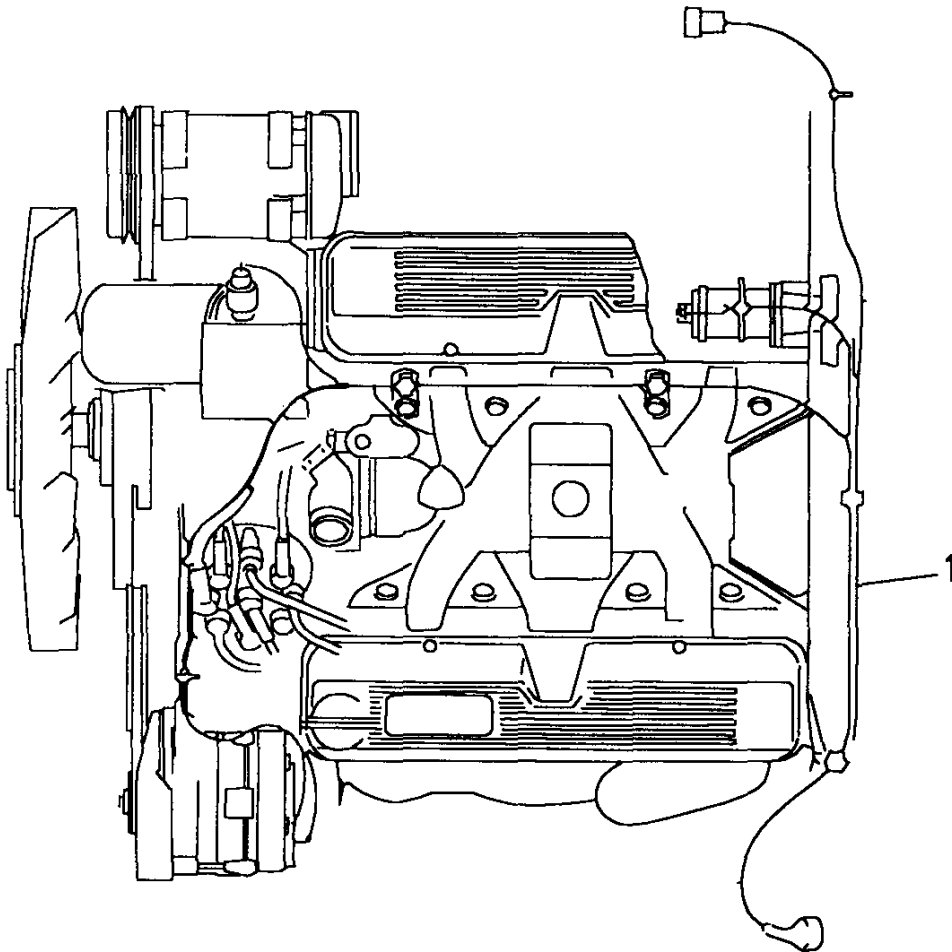
	AMR3625	Harness engine	1	Up to MA651072
	AMR3952	Harness engine	1	From MA651073

**Vehicles with catalyst and air-conditioning**

	AMR3624	Harness engine	1	Up to MA651072
	AMR3951	Harness engine	1	From MA651073

**All variants**

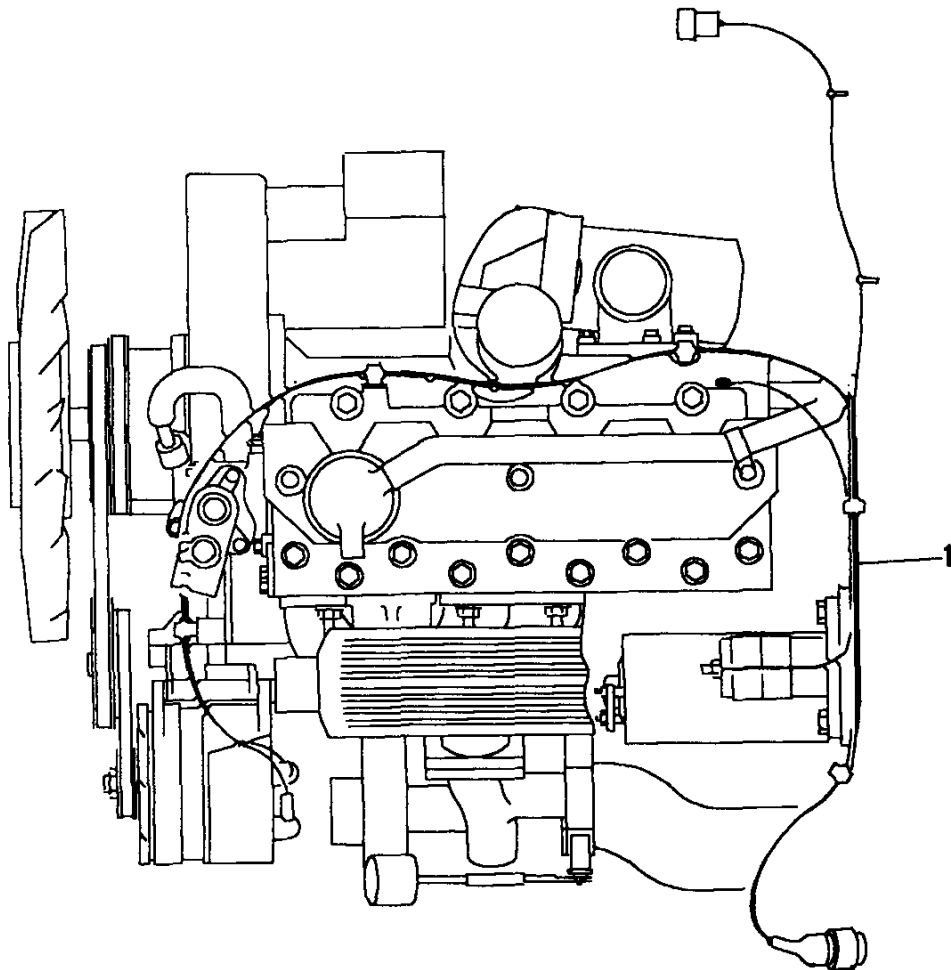
2	YYD10003	Clip cable	1	
3	AMR2016	Resistor - engine tune	1	



**Model** RANGE ROVER 1992 onwards  
**Page** BDMXCF3A

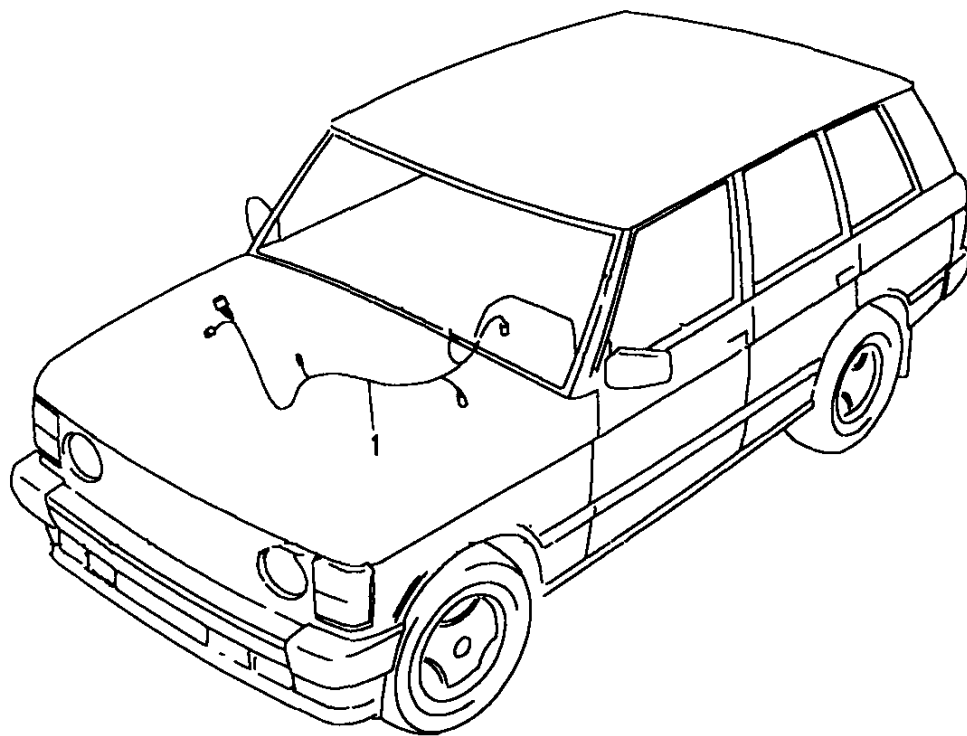
**ELECTRICAL - ENGINE HARNESS - 300TDI - FROM MA647645**

III. Part No.	Description	Qty	Remarks
1 AMR3631	Harness engine	1	
AMR3632	Harness engine	1	With air con.
AMR3633	Harness engine - EGR	1	
AMR3634	Harness engine - EGR	1	With air con.



**Model** RANGE ROVER 1992 onwards  
**Page** BDMXCF1C

**ELECTRICAL - GEARBOX HARNESS - UP TO LA647644**

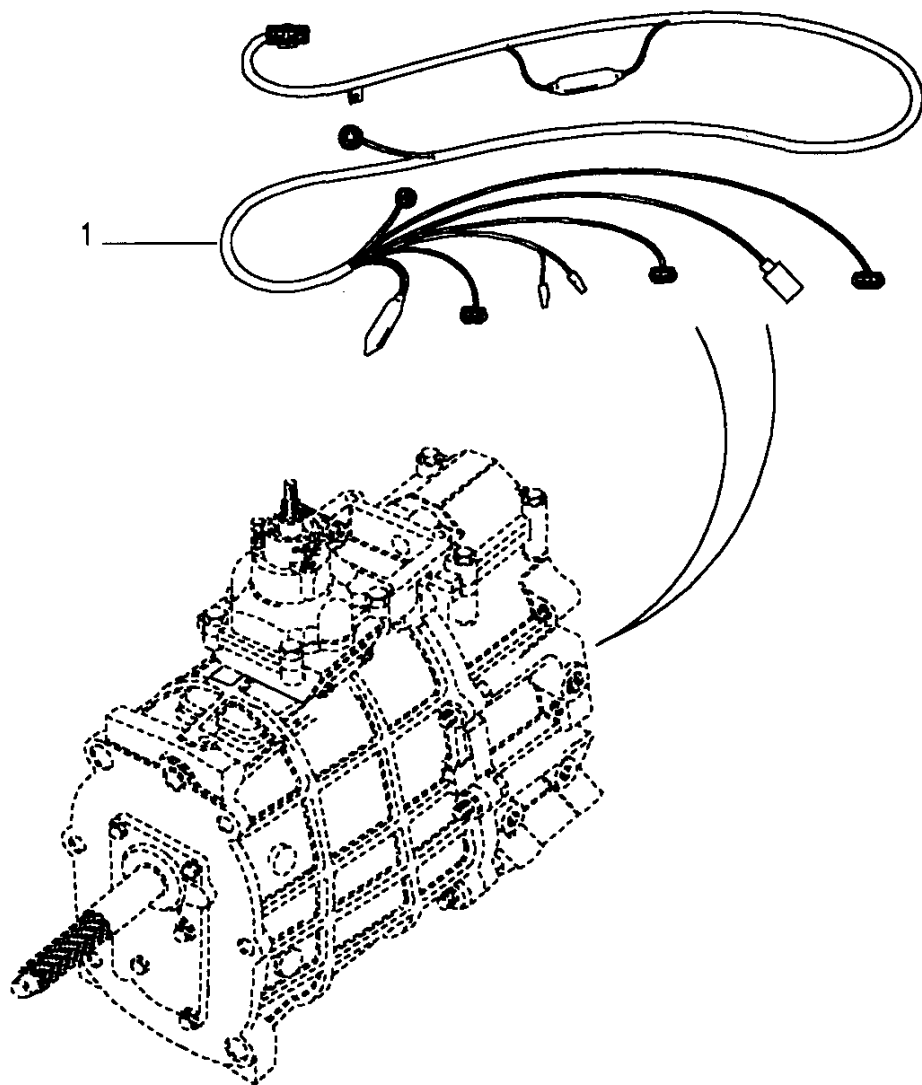


III. Part No.	Description	Qty	Remarks
<b>Gearbox harness - Manual</b>			
1 PRC9300	Harness gearbox	1	Up to JA624755
AMR1596	Harness gearbox	1	From KA624756
<b>Gearbox harness - Automatic</b>			
PRC9299	Harness gearbox	1	Up to JA624755
AMR1595	Harness gearbox	1	From KA624756
<b>Gearbox harness - Japan only</b>			
AMR1594	Harness gearbox	1	Up to KA631647
AMR3027	Harness gearbox	1	From KA631648

**Model** RANGE ROVER 1992 onwards  
**Page** BDMXCF4A

**ELECTRICAL - GEARBOX HARNESS - FROM MA647645**

III. Part No.	Description	Qty	Remarks
<b>TDI - manual</b> 1 AMR3561	Harness gearbox	1	
<b>V8 PI - manual</b> AMR3562	Harness gearbox	1	
<b>TDI &amp; V8 PI - automatic</b> AMR3563	Harness gearbox	1	
<b>TDI &amp; V8 PI - automatic with shift interlock - Japan</b> AMR3564	Harness gearbox	1	



**Model** RANGE ROVER 1992 onwards

**Page** BDMXCF1D

**ELECTRICAL - CHASSIS HARNESS - UP TO LA647644**

**III. Part No. Description Qty Remarks**

**Brake pad wear harness - front**

1 PRC9267 Harness pad wear 1

**Brake pad wear harness - rear 100" wheelbase**

2 PRC9265 Harness pad wear 1 Up to JA624755  
 AMR2380 Harness pad wear 1 From KA624756

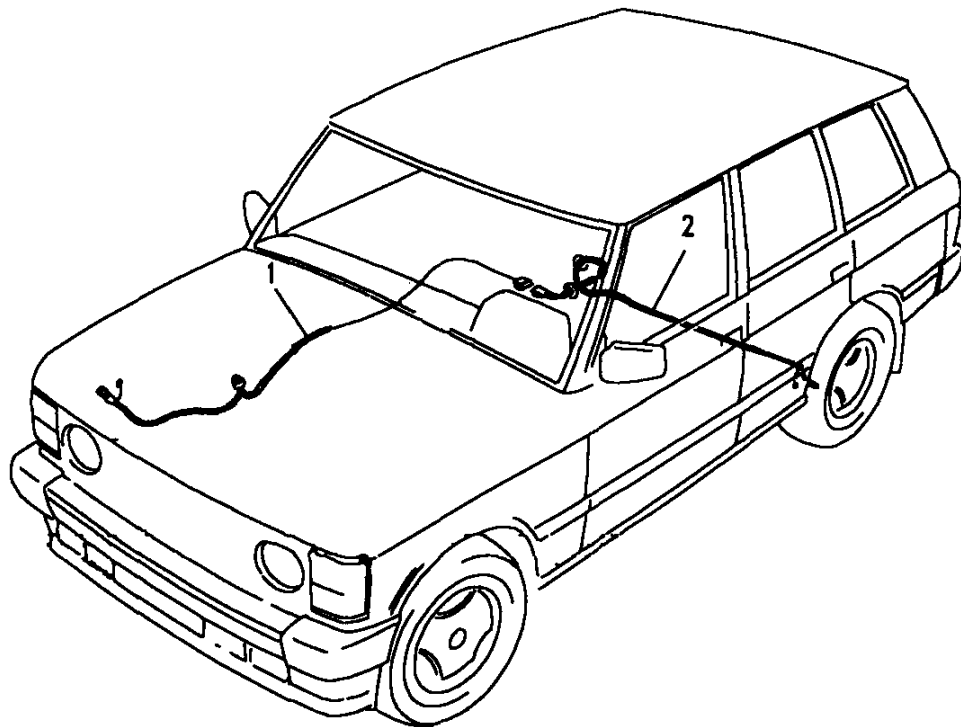
**Brake pad wear harness - rear 108" wheelbase**

AMR2381 Harness pad wear 1

Note(1) For ABS pad wear harness see page 536 - 537

Note(2) For air suspension harness see page 530

Note(3) For cruise control harness see page 573

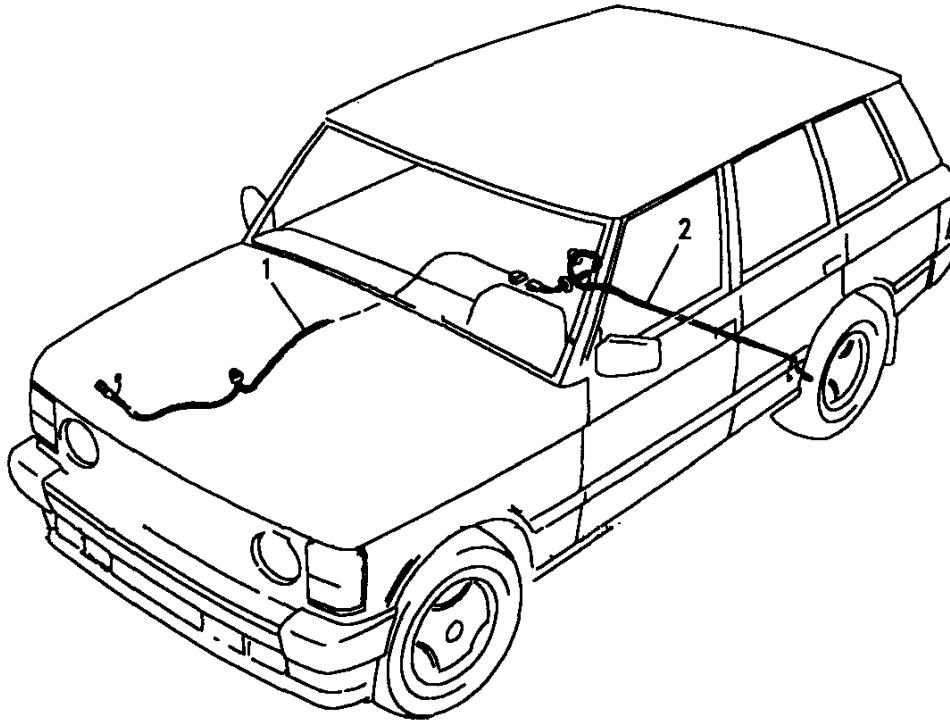


**Model** RANGE ROVER 1992 onwards  
**Page** BDMXCF5A

**ELECTRICAL - CHASSIS HARNESS - FROM MA647645**

III. Part No.	Description	Qty	Remarks
<b>Brake pad wear harness - front</b>			
1 PRC9267	Harness brake pad wear	1	
<b>Brake pad wear harness - rear - 100" wheelbase</b>			
2 AMR3532	Harness brake pad wear	1	
<b>Brake pad wear harness - rear - 108" wheelbase</b>			
AMR3534	Harness brake pad wear	1	

Note(1) For ABS pad wear harness see page 536 - 537  
 Note(2) For air suspension harness see page 530  
 Note(3) For cruise control harness see page 574





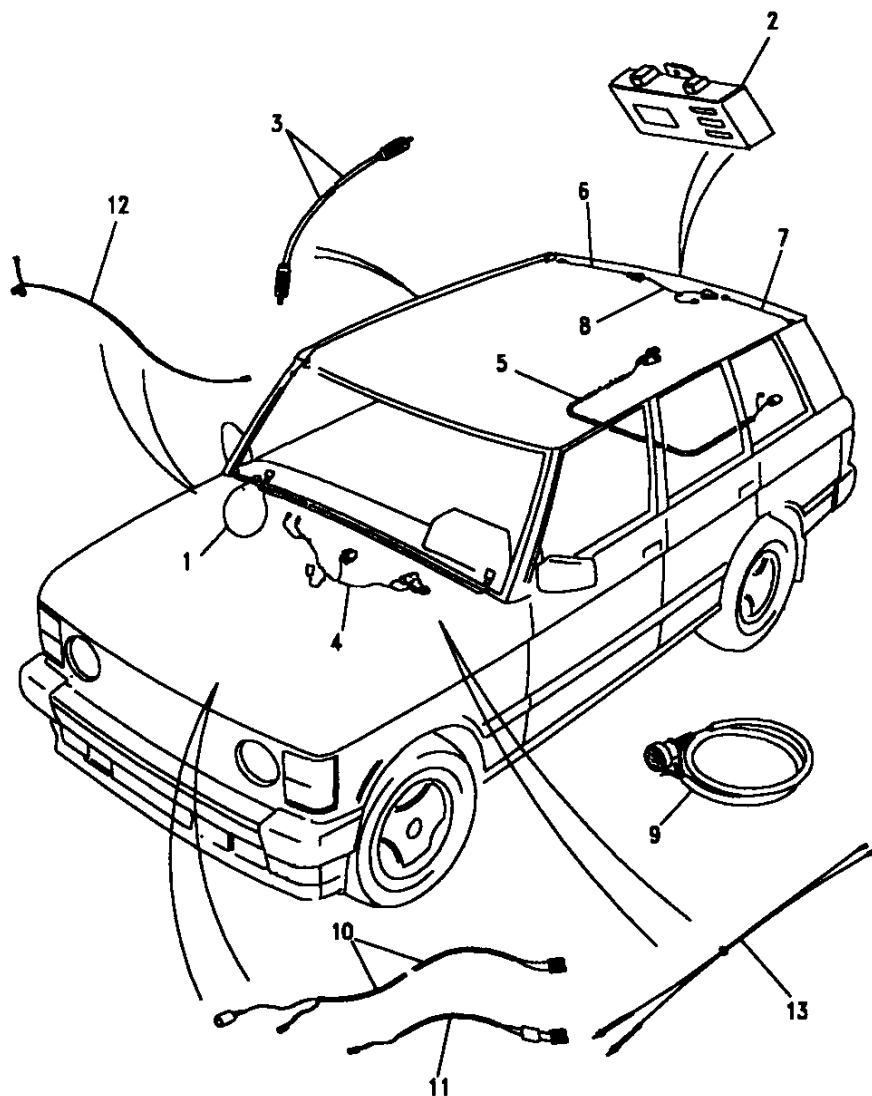
**Model** RANGE ROVER 1992 onwards  
**Page** BDMXC12A

**ELECTRICAL - LINK LEADS & AERIALS**

III. Part No.	Description	Qty	Remarks
1 PRC8881	Link lead heated jets	1	Up to JA624755
PRC9087	Link lead heated jets	1	From KA624756
2 PRC8739	Amplifier aerial	1	
3 PRC8740	Aerial lead	1	
4 PRC8860	Cable assembly heater	1	Up to LA647644
5 PRC8910	Link lead fuel tank	1	Up to JA624755
AMR2207	Link lead fuel tank	1	From KA624756
			up to KA642682
AMR2587	Link lead fuel tank	1	From KA642683
6 PRC7913	Link lead HRS to Amp	1	Up to JA624755
PRC9867	Link lead HRS to Amp	1	From KA624756
7 PRC7914	Link lead HRS to Amp	1	Up to JA624755
PRC9866	Link lead HRS to Amp	1	From KA624756
8 PRC9548	Suppressor taigate	1	
9 PRC4143	Cable assembly	1	Trailer socket
10 AMR2269	Link lead water temp	1	4.2L
11 AMR2270	Link lead pressure switch	1	4.2L

**Catalyst overheat warning system - Japan only**

12 AMR2462	Amplifier link lead	1	
13 AMR2463	Thermocouple cat overheat	1	



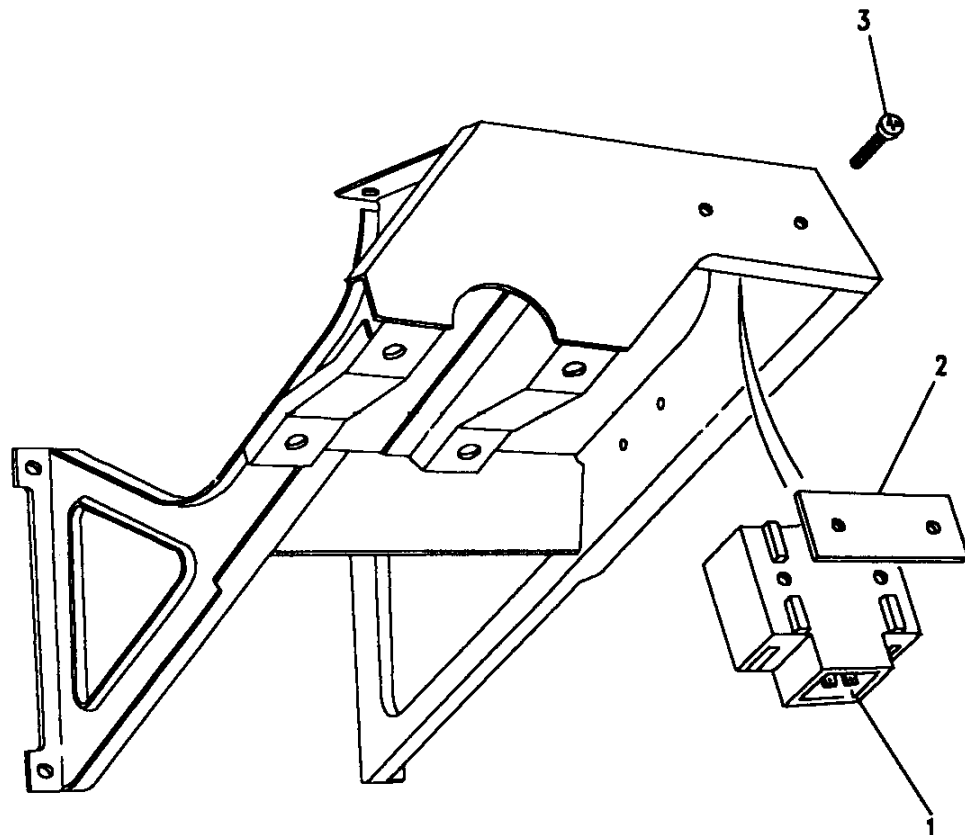
**Model** RANGE ROVER 1992 onwards

**Page** BDMXC15A

**ELECTRICAL - DIM DIP TRANSFORMER - UP TO LA647644**

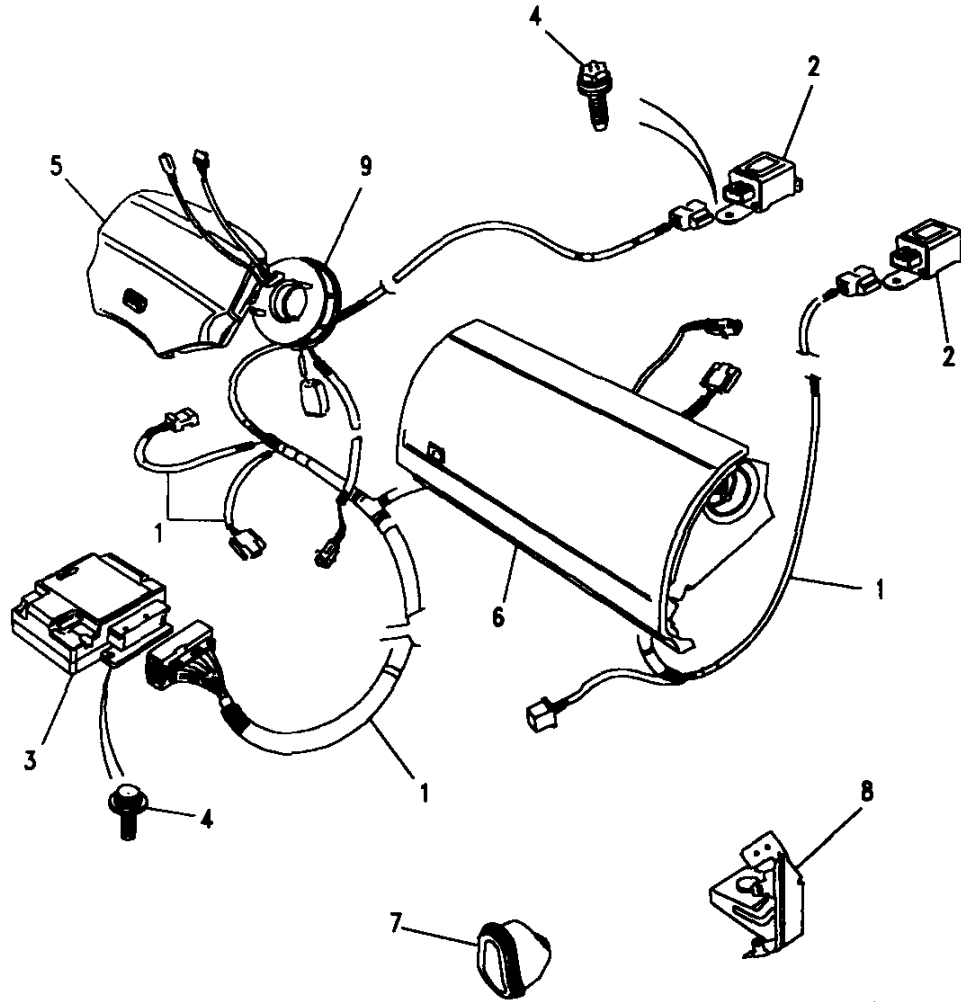
Ill. Part No.	Description	Qty	Remarks
1	PRC8123	1	Note(1)
2	MWC2736	1	
3	DA610051L	2	

Note(1) Not used from MA647645, see relay section.



**Model** RANGE ROVER 1992 onwards  
**Page** BDMXCK1A

**ELECTRICAL - SUPPLEMENTARY RESTRAINT SYSTEM**



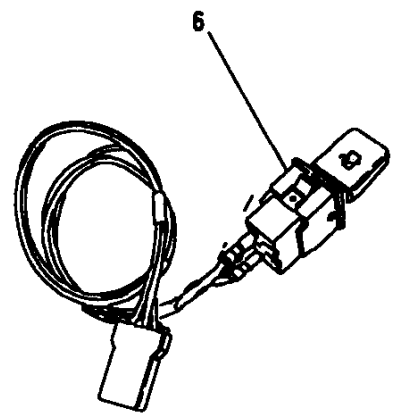
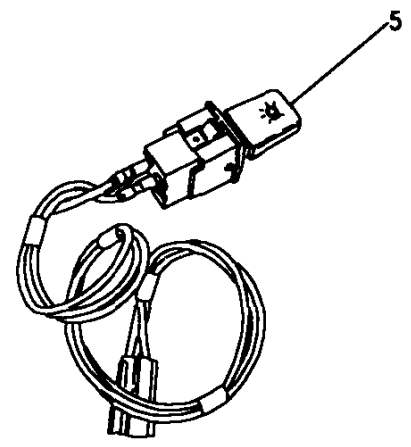
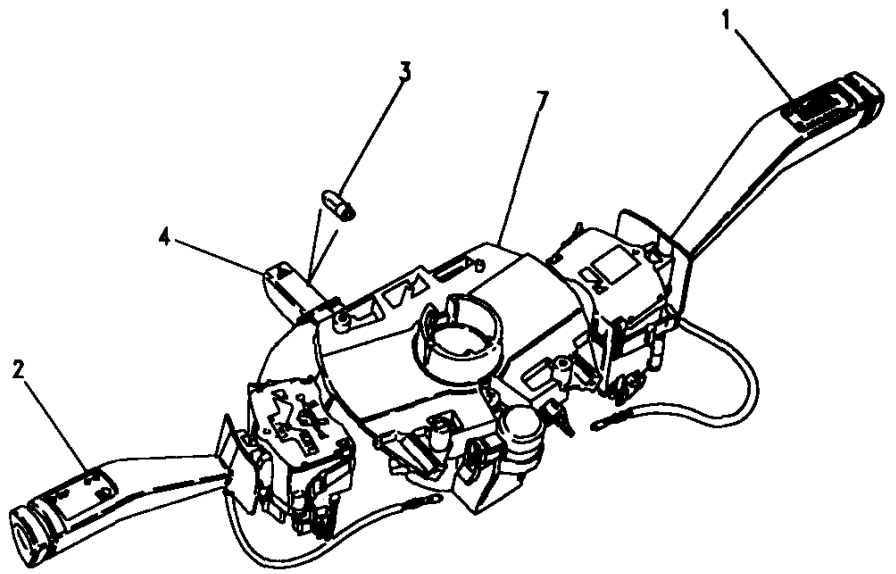
III. Part No.	Description	Qty	Remarks
<b>Vehicles with driver air-bag only</b>			
1 AMR3668	Harness airbag - RHS	1	
AMR3669	Harness airbag - LHS	1	
<b>Vehicles with driver &amp; passenger air-bags</b>			
1 AMR3666	Harness airbag - RHS	1	
AMR3667	Harness airbag - LHS	1	
2 AMR2705	Sensor crash	2	
3 YWC10151	Diagnostic control unit	1	
4 BTR6656	Screw	6	
5 BTR7692LNF	Airbag assy driver	1	
6 BTR7693LNF	Airbag assy passenger	1	
7 ANR2933	Grommet sealing - airbag	1	
8 AMR3304	Bracket airbag connectors	1	
9 AMR3647	Coupler rotary	1	

**Model** RANGE ROVER 1992 onwards  
**Page** BDMXE1A

**ELECTRICAL - COLUMN SWITCHES - UP TO LA647644**

III. Part No.	Description	Qty	Remarks
<b>Front</b>			
1 PRC8724	Switch wash/wipe	1	
<b>All variants</b>			
2 PRC5072	Switch assembly	1	Note(1)
3 RTC3635	Bulb 12v 2w	1	Note(2)
4 RTC5691	Knob	1	
5 PRC5425	Switch head & side lamp	1	
<b>Rear</b>			
6 PRC6881	Switch wash/wipe	1	Up to JA624755
PRC9956	Switch wash/wipe	1	From KA624756
<b>All variants</b>			
7 PRC5438	Housing	1	

Note(1) Comprises indicator, dip, horn and hazard switches.  
 Note(2) RTC3635 is also the bulb used to illuminate fibre optic.



**Model** RANGE ROVER 1992 onwards

**Page** BDMXE1B

**ELECTRICAL - COLUMN SWITCHES - FROM MA647645**

**III. Part No. Description Qty Remarks**

**Without rotary coupler - vehicles without cruise control or SRS**

1	AMR3842	Switch assembly	1	Note(1)
2	STC1790	Switch front wash/wipe	1	
3	STC1791	Switch indicator/h'lamps	1	
4	STC2834	Housing switch	1	

**With rotary coupler - vehicles with cruise control or SRS**

1	AMR3841	Switch assembly	1	
2	STC1790	Switch front wash/wipe	1	
3	STC1791	Switch indicator/h'lamps	1	
4	STC2835	Housing switch	1	

Note(1)

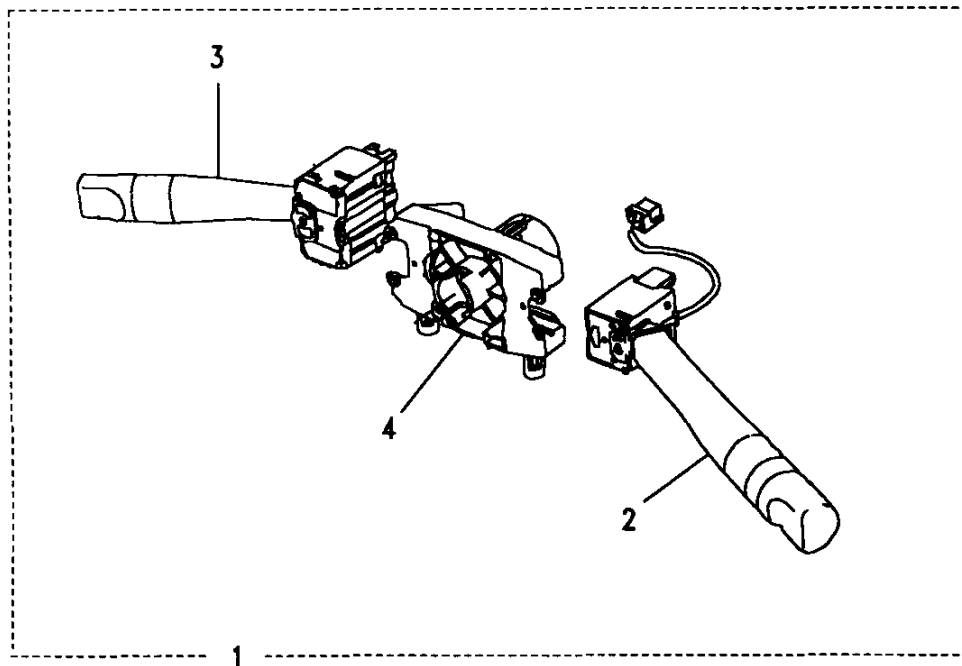
Includes rotary coupler for horn contacts.

Note(2)

For horn push see steering wheel assembly.

Note(3)

For rotary coupler see cruise control components.

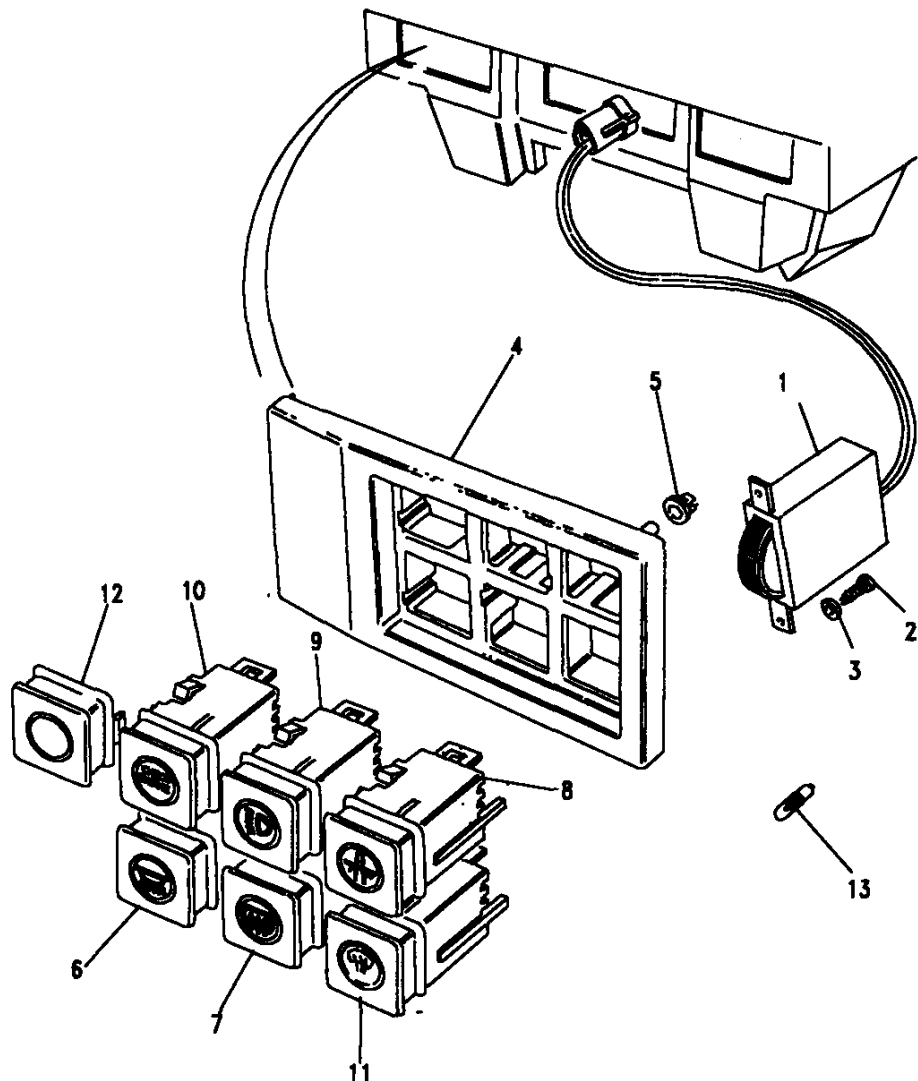


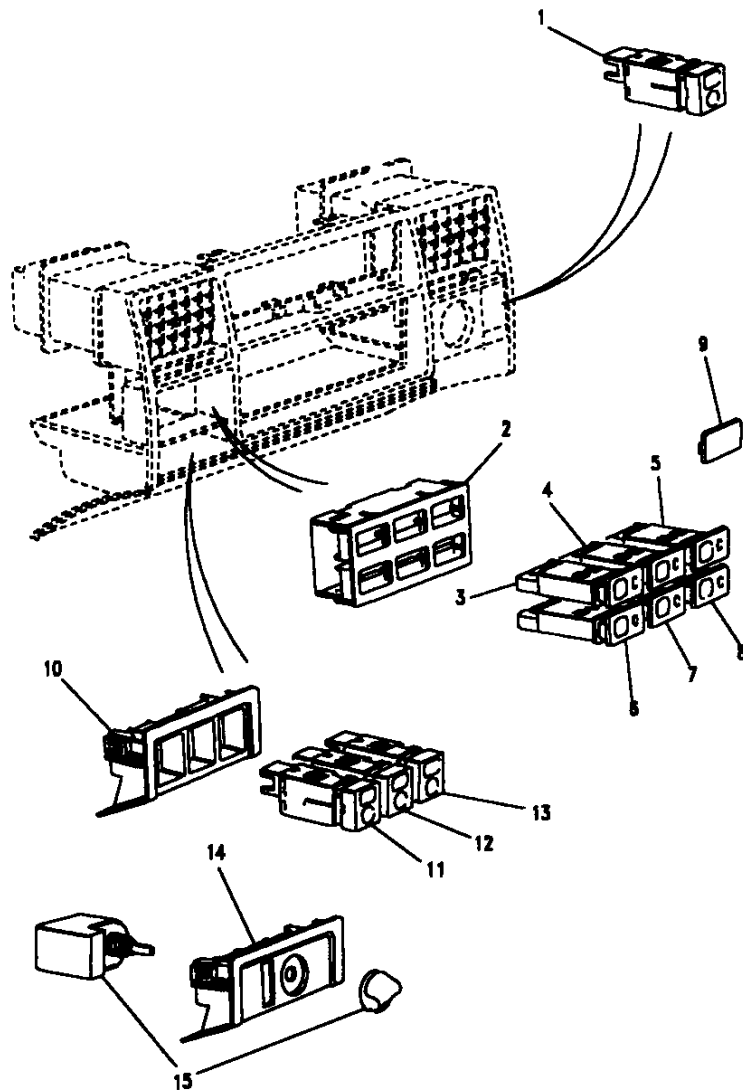
**Model** RANGE ROVER 1992 onwards  
**Page** BDMXEC1A

**ELECTRICAL - FACIA SWITCHES - UP TO LA647644**

III. Part No.	Description	Qty	Remarks
1	PRC8330	1	Up to KA632613
	AMR3024	1	From KA632614
2	AB604031L	2	
3	WA104001L	2	
4	BTR3484RUN	1	RHS
	BTR3485RUN	1	LHS
5	AFU3075	4	
6	ATU1020L	1	
7	ATU1021L	1	
8	ATU1022L	1	
9	ATU1027L	1	
10	ATU1023L	1	
11	PRC6797	1	
12	AFU2819L	1	
13	RTC5604	A/R	
	RTC5605	A/R	
	RTC5759	A/R	

Note(1) For air susp. and heated seat switches see page 693 - 696  
 Note(2) For mirror control switches see page 489  
 Note(3) Colour code. RUN - Bokhara





**Model** RANGE ROVER 1992 onwards  
**Page** BDMXEC3A

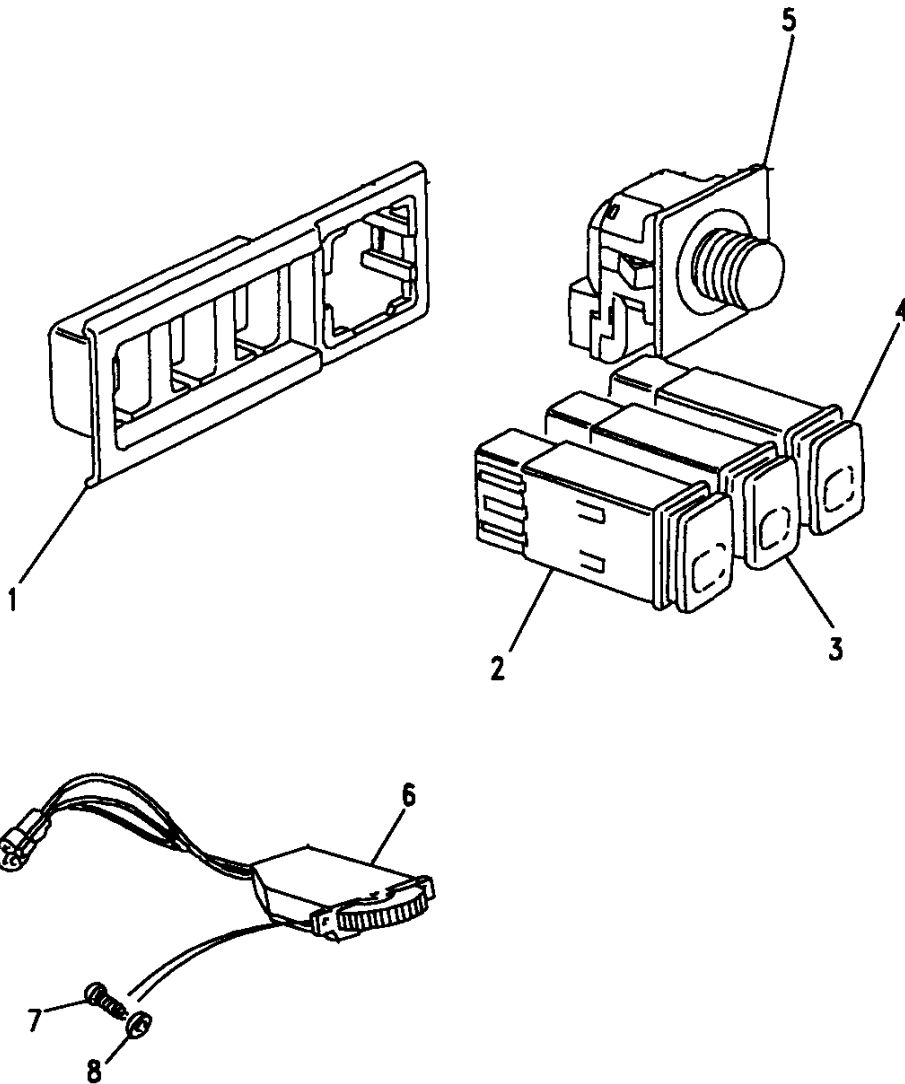
### ELECTRICAL - FACIA SWITCHES - FROM MA647645

III. Part No.	Description	Qty	Remarks
<b>Hazard warning switch</b>			
1 YUG10067	Switch hazard warning	1	
<b>Auxiliary switches</b>			
2 AWR1159LNF	Switch carrier	1	
3 AMR3598	Switch rear fog light	1	
4 AMR3597	Switch lamps driving	1	
5 AMR3599	Switch cruise control	1	
6 AMR3600	Switch interior light	1	
7 AMR3604	Switch heated rear window	1	
8 AMR3603	Switch heated screen	1	
9 AMR3605	Plate blanking	1	
STC1877	Bulb and holder	A/R	Orange
STC1878	Bulb and holder	A/R	Green
<b>Air suspension switches</b>			
10 AWR1197LNF	Switch carrier	1	
11 AMR1777	Switch raise suspension	1	
12 AMR1776	Switch inhibit suspension	1	
13 AMR1778	Switch lower suspension	1	
STC1205	Bulb and holder	A/R	Clear
<b>Headlamp level switch</b>			
14 BTR9340LNF	Bezel headlamp level sw	1	
15 PRC7989	Switch headlamp level	1	

**Model** RANGE ROVER 1992 onwards  
**Page** BDMXEC5A

**ELECTRICAL - FACIA SWITCHES - FROM MA647645**

Ill. Part No.	Description	Qty	Remarks
<b>Dashboard switches</b>			
1	AMR2779LNF	1	Bezel mirror switch
2	AMR3747	1	Switch fuel flap open
3	AMR3745	1	Switch rear wash
4	AMR3746	1	Switch rear wipe
5	AMR3458	1	Switch mirror
	AMR3261	1	Switch mirror
	STC1878	A/R	Bulb and holder
<b>Illumination dimmer unit</b>			
6	AMR3024	1	Dimmer unit
7	AB604031L	2	Screw
8	WA104001L	2	Washer plain



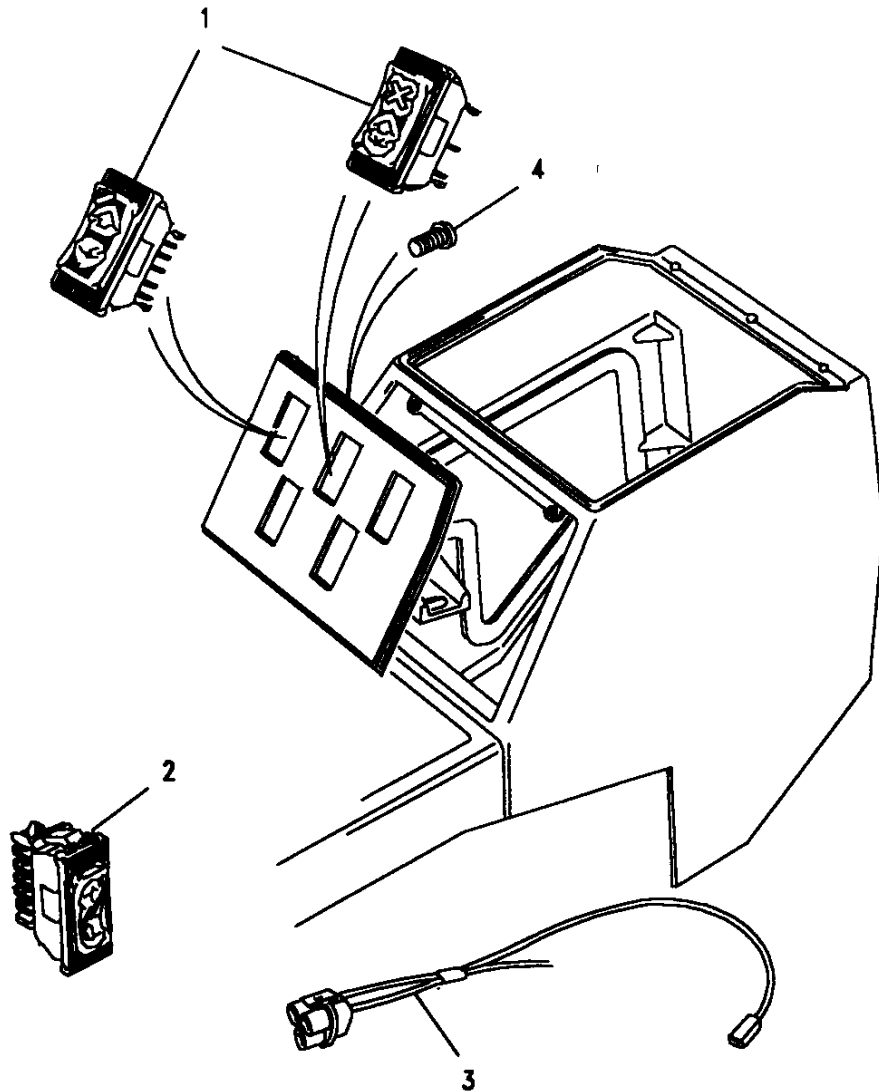


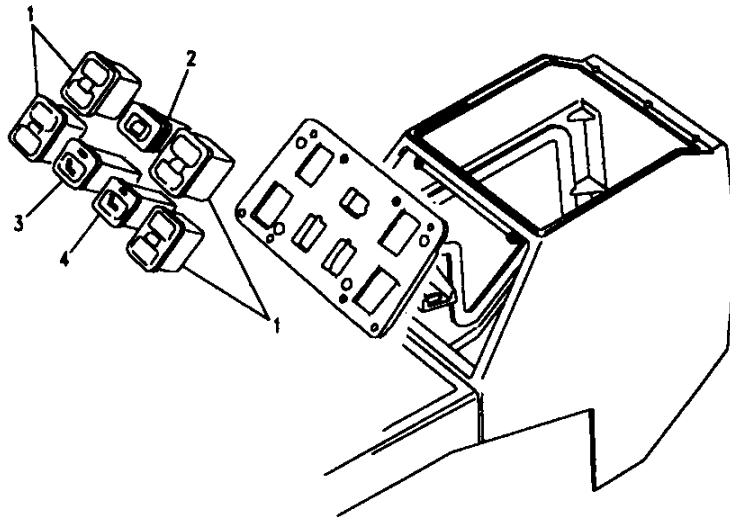
**Model** RANGE ROVER 1992 onwards  
**Page** BDMXEC2A

**ELECTRICAL - WINDOW LIFT SWITCHES - UP TO LA647644**

III. Part No.	Description	Qty	Remarks
1	PRC5255	5	Note(1)
	PRC5254	1	Note(2)
2	PRC4754	1	
3	PRC8843	1	2 Door only
	PRC9263	1	4 Door only
4	AB604022L	2	

Note(1) Fitted to centre console and LH rear door.  
 Note(2) Fitted to RH rear door.  
 Note(3) For Walnut panel see page 712 - 715  
 Note(4) For plastic panel see page 702 - 703  
 Note(5) Colour code. RUN - Bokhara



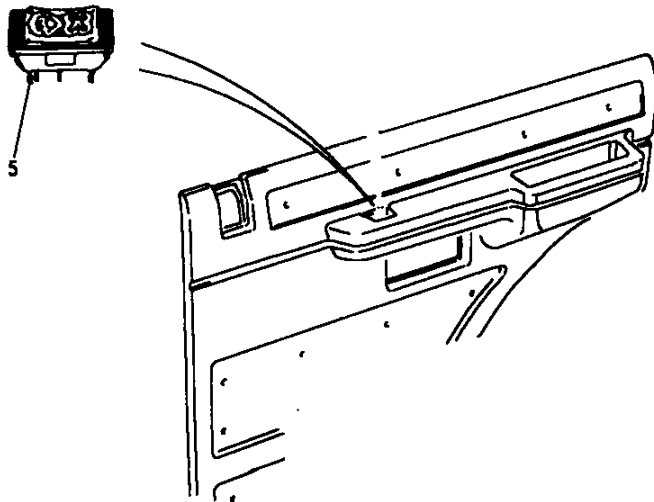


**Model** RANGE ROVER 1992 onwards  
**Page** BDMXEC4A

**ELECTRICAL - WINDOW & SEAT SWITCHES - FROM MA647645**

III. Part No.	Description	Qty	Remarks
<b>Centre console switches</b>			
1	AMR2496	Switch window lift	4
2	AMR2497	Switch window isolator	1
3	AMR3602	Switch heated seat RH	1
4	AMR3601	Switch heated seat LH	1
	STC1877	Bulb and holder	A/R Orange
	STC1878	Bulb and holder	A/R Green
<b>Rear door switches</b>			
5	PRC5254	Switch window lift type A	1 RH
	PRC5255	Switch window lift type B	1 LH

Note(1) For electric seat control switches see page 589



**Model** RANGE ROVER 1992 onwards  
**Page** BDMXGA1A

**ELECTRICAL - RELAYS - FROM JA610294 UP TO JA624780**

**Ill. Part No. Description Qty Remarks**

**RHS only**

**Steering column support - back relays**

1	YWB10027L	Relay - start	1	Yellow
	YWB10027L	Relay - heat rear screen	1	Yellow
	YWB10027L	Relay - headlamps	1	Yellow
2	YWB10032L	Relay - ignition load	1	Green

**Steering column support - front relays**

3	PRC7404	Relay - rear wiper unit	1	Blue
4	PRC6864	Relay - front wiper unit	1	Red
5	PRC7303	Relay - heat front screen	1	Black
6	PRC8700	Relay - courtesy lamps	1	Black
7	PRC4427	Relay - voltage switch	1	Yellow

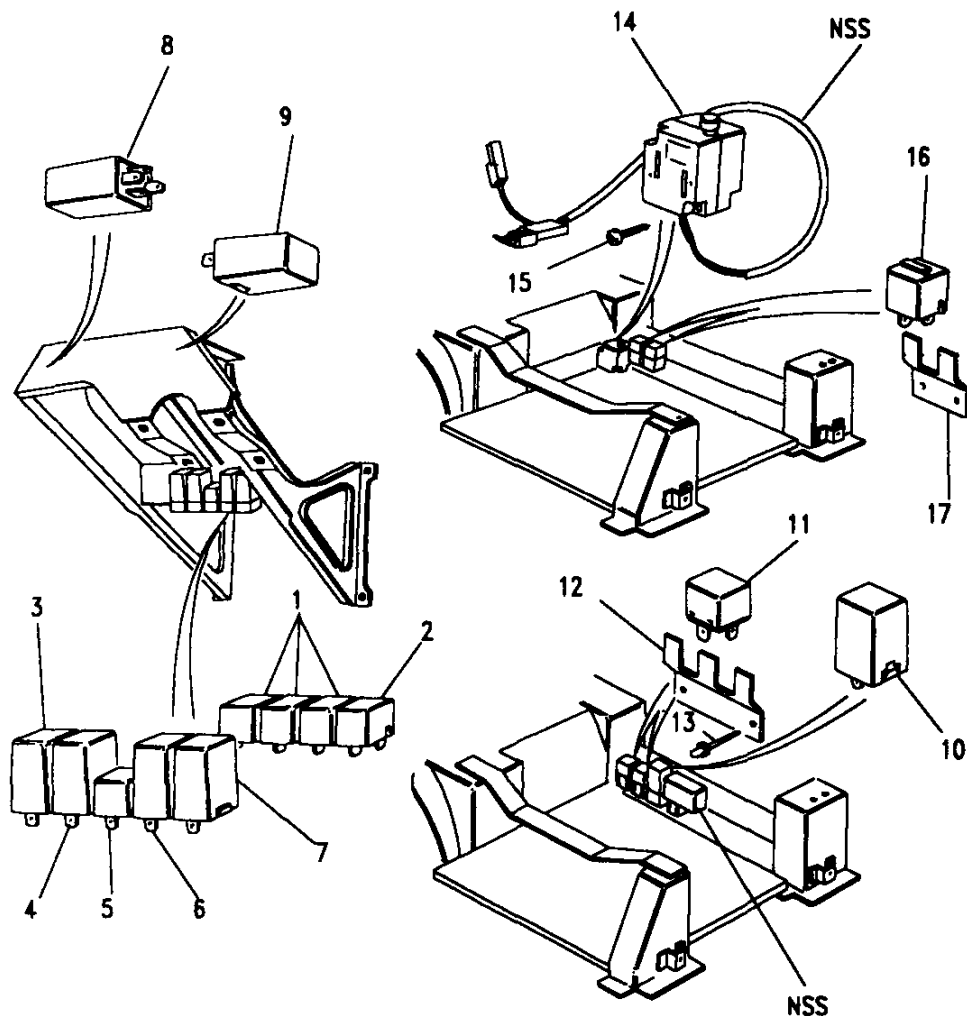
**Steering column support - top bracket**

8	PRC8876	Relay - flasher unit	1	Black
9	PRC4268	Relay - overspeed unit	1	Black(Gulf states)

**Seat crossmembers**

10	PRC7413	Relay - fan timer	1	Green
11	AFU2913L	Relay - PI main injection	1	Aluminium
	AFU2913L	Relay - PI fuel pump	1	Aluminium
12	PRC7140	Bracket mounting	1	
13	RA612183	Rivet	2	
14	DBC2022L	Inertia switch	1	Note(1)
15	AB610121L	Screw	2	
16	YWB10032L	Relay - driver's seat	1	Green
	YWB10032L	Relay - passenger's seat	1	Green
17	PRC7054	Bracket mounting	1	

Note(1) Inertia switch link lead now part of main harness



**Model** RANGE ROVER 1992 onwards  
**Page** BDMXGA2A

**ELECTRICAL - RELAYS - FROM JA610294 UP TO JA624780**

**III. Part No. Description Qty Remarks**

**RHS only**

**RH Side footwell - upper level**

1	PRC8882	Relay - speed buffer	1	White
2	YWB10027L	Relay - diesel	1	Yellow
	YWB10027L	Relay - sunroof	1	Yellow
	YWB10027L	Relay - brake check	1	Yellow
	YWB10027L	Relay - auxiliary lamps	1	Yellow

**RH Side footwell - lower level**

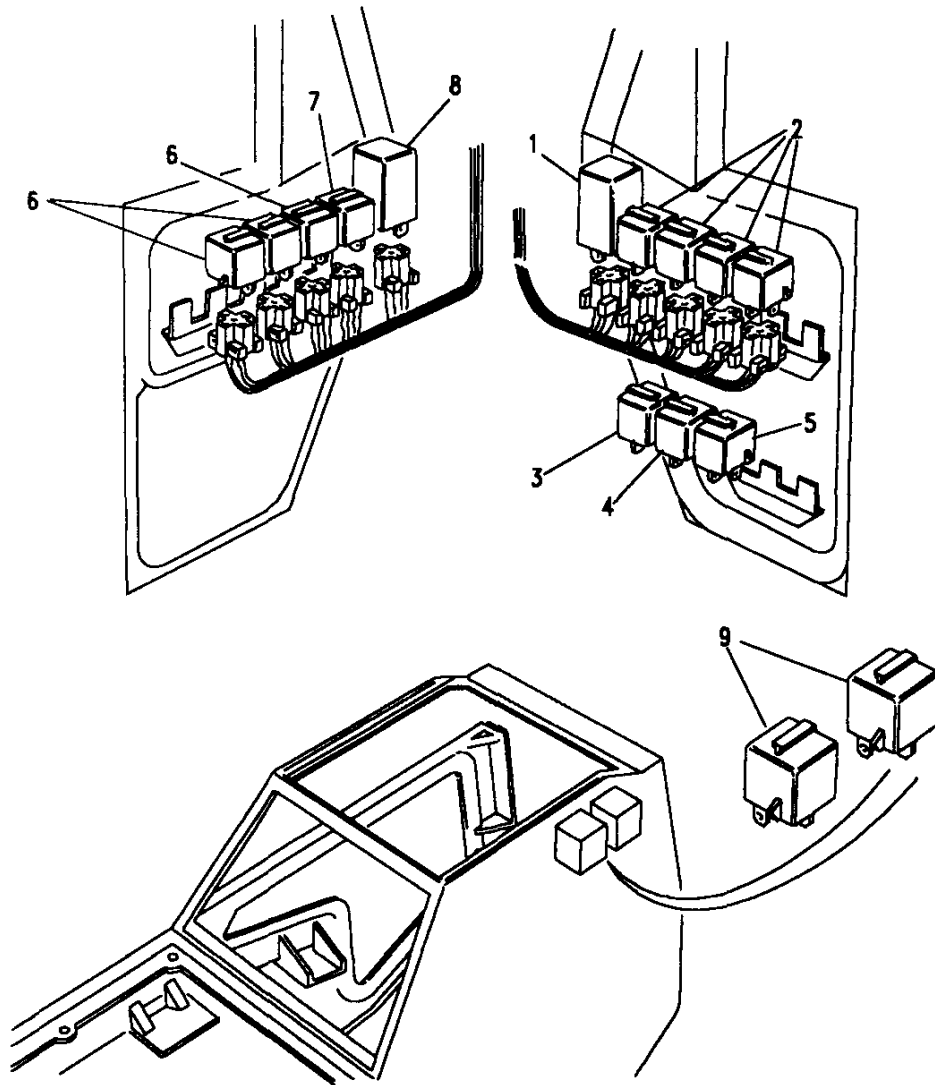
3	YWB10032L	Relay - cruise control	1	Green
4	YWB10027L	Relay - load shed	1	Yellow
5	PRC6796	Relay - HFS timer	1	Grey

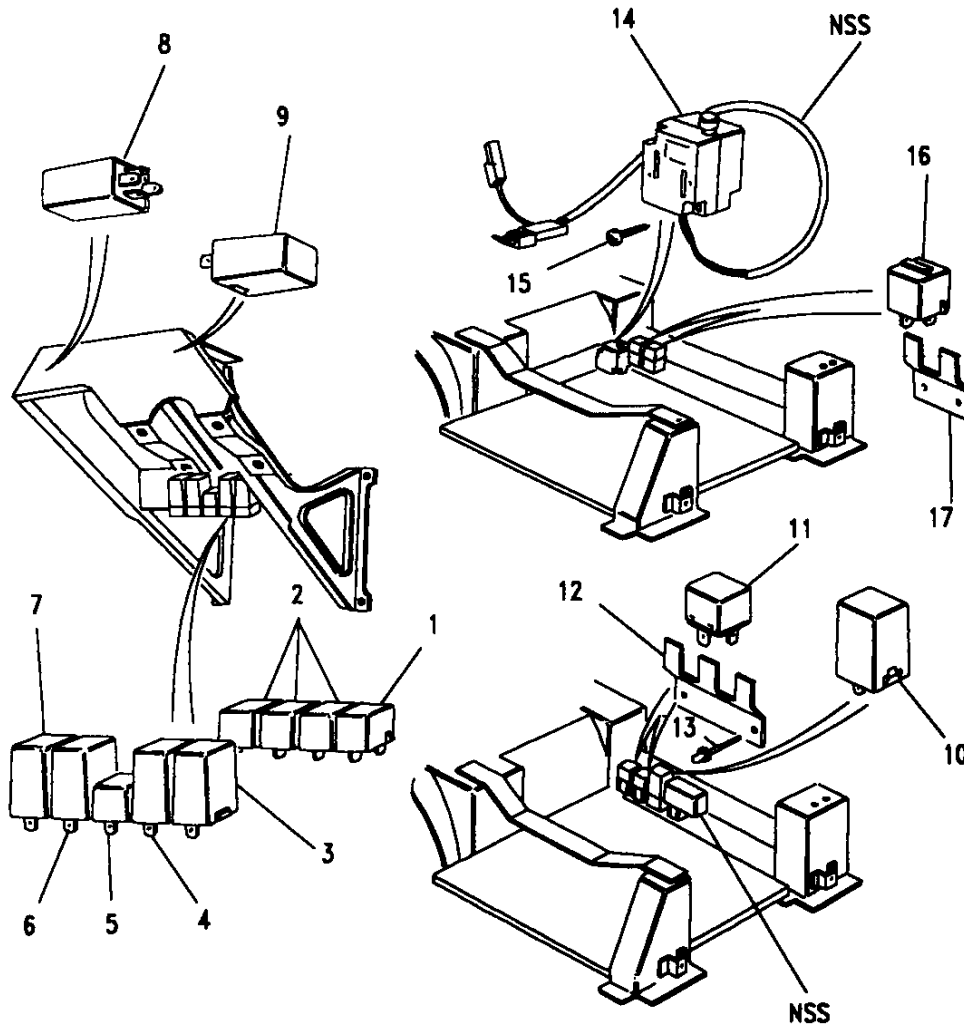
**LH side footwell**

6	YWB10027L	Relay - heater A/C	1	Yellow
	YWB10027L	Relay - A/C fan	1	Yellow
	YWB10027L	Relay - A/C clutch	1	Yellow
7	YWB10032L	Relay - heater / A/C	1	Green
8	PRC7872	Relay - air diode	1	Orange

**Cubby Box**

9	YWB10027L	Relay - window lift	2	Yellow
	YWB10027L	Relay - heated seats	2	Yellow





**Model** RANGE ROVER 1992 onwards  
**Page** BDMXGA3A

**ELECTRICAL - RELAYS - FROM JA610294 UP TO JA624780**

III. Part No.	Description	Qty	Remarks
<b>LHS only</b>			
<b>Steering column support - back relays</b>			
1	YWB10027L	1	Yellow
	YWB10027L	1	Yellow
	YWB10027L	1	Yellow
2	YWB10032L	1	Green
<b>Steering column support - front relays</b>			
3	PRC7404	1	Blue
4	PRC6864	1	Red
5	PRC7303	1	Black
6	PRC8700	1	Black
7	PRC4427	1	Yellow
<b>Steering column support - top bracket</b>			
8	PRC8876	1	
9	PRC4268	1	Black(Gulf states)
<b>Seat crossmembers</b>			
10	PRC7413	1	Green
11	AFU2913L	1	
	AFU2913L	1	
12	PRC7140	1	
13	RA612183	2	
14	DBC2022L	1	
15	AB610121L	2	
16	YWB10032L	1	Green
	YWB10032L	1	Green
17	PRC7054	1	

Note(1) Inertia switch link lead now part of main harness

**Model** RANGE ROVER 1992 onwards  
**Page** BDMXGA4A

**ELECTRICAL - RELAYS - FROM JA610294 UP TO JA624780**

**III. Part No. Description Qty Remarks**

**LHS only**

**RH Side footwell - upper level**

1	PRC7872	Relay - air diode	1	Orange
2	YWB10032L	Relay - heater / A/C	1	Green
3	YWB10027L	Relay - A/C clutch	1	Yellow
	YWB10027L	Relay - A/C fan	1	Yellow
	YWB10027L	Relay - heater A/C	1	Yellow

**RH Side footwell - lower level**

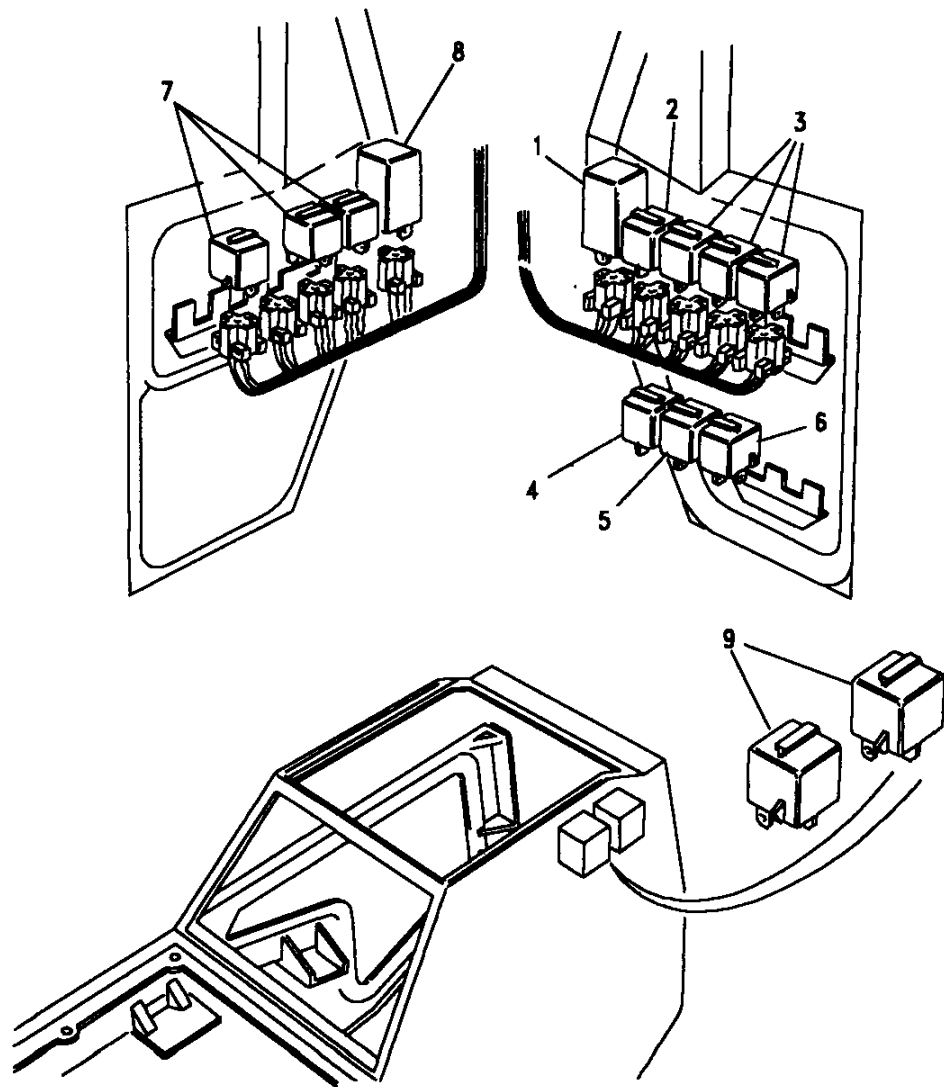
4	YWB10032L	Relay - cruise control	1	Green
5	YWB10027L	Relay - load shed	1	Yellow
6	PRC8796	Relay - HFS timer	1	Grey

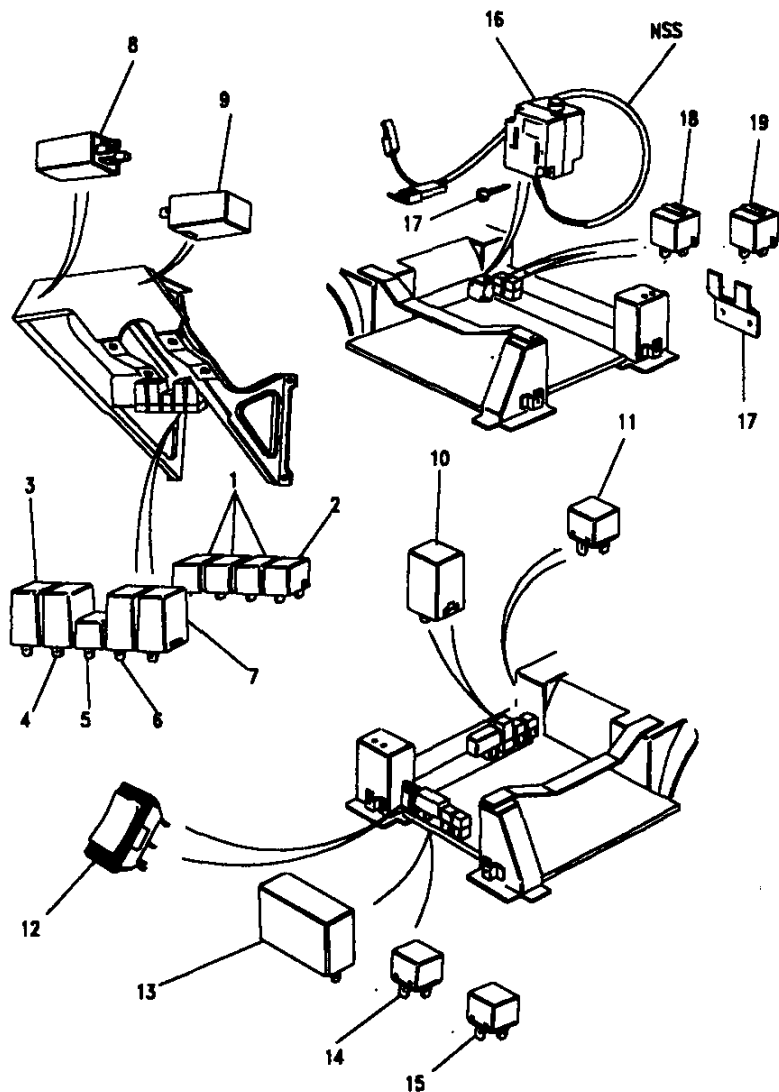
**LH side footwell**

7	YWB10027L	Relay - auxiliary lamps	1	Yellow
	YWB10027L	Relay - sunroof	1	Yellow
	YWB10027L	Relay - diesel	1	Yellow
8	PRC8882	Relay - speed buffer	1	White

**Cubby Box**

9	YWB10027L	Relay - window lift	2	Yellow
	YWB10027L	Relay - heated seats	2	Yellow





**Model** RANGE ROVER 1992 onwards  
**Page** BDMXGA5A

**ELECTRICAL - RELAYS - FROM KA624781 UP TO LA647644**

**Ill. Part No. Description Qty Remarks**

**RHS only**

**Steering column support - back relays**

1	YWB10027L	Relay - starter	1	Yellow
	YWB10027L	Relay - heat rear screen	1	Yellow
	YWB10027L	Relay - headlamps	1	Yellow
2	YWB10032L	Relay - ignition load	1	Green

**Steering column support - Front relays**

3	PRC9957	Relay - rear wiper unit	1	Blue
4	AMR2341	Relay - front wiper unit	1	Red
5	PRC7303	Relay - heat front screen	1	Black
6	PRC9948	Relay - courtesy lamps	1	Black

**Australia only**

7	YWB10027L	Relay - brake check	1	Yellow
---	-----------	---------------------	---	--------

**Steering column - top bracket**

8	PRC8876	Flasher unit	1	
9	PRC4268	Relay - overspeed unit	1	Gulf states only

**Seat crossmembers**

10	PRC7413	Relay - fan timer	1	Green
11	AFU2913L	Relay - PI main injection	1	Aluminium
	AFU2913L	Relay - PI fuel pump	1	Aluminium
12	AMR2169	Switch - disable	1	
13	AMR1111	Relay - delayed turn off	1	Natural
14	YWB10027L	Relay - compressor	1	Yellow
15	YWB10032L	Relay - air sus. warning	1	Green
16	DBC2022L	Inertia switch	1	
17	AB610121L	Screw	2	
18	YWB10032L	Relay - driver's seat	1	Green
19	YWB10027L	Relay - passenger's seat	1	Yellow

**Model** RANGE ROVER 1992 onwards  
**Page** BDMXGA6A

**ELECTRICAL - RELAYS - FROM KA624781 UP TO LA647644**

**III. Part No. Description Qty Remarks**

**RHS only**

**Right hand side - upper level**

1	PRC8882	Relay - speed buffer	1	White
2	YWB10027L	Relay - rear wiper	1	Yellow
	YWB10027L	Relay - auxiliary lamps	1	Yellow

**Right hand side - lower level**

3	PRC6796	Relay - HFS timer	1	Grey
4	YWB10032L	Relay - cruise control	1	Green

**Left hand side**

5	YWB10027L	Relay - heater	1	Yellow
	YWB10027L	Relay - A/C fans	1	Yellow
	YWB10027L	Relay - A/C clutch	1	Yellow
6	YWB10032L	Relay - air con	1	Green
7	PRC7872	Relay - A/C diode	1	Orange

**Cubby Box**

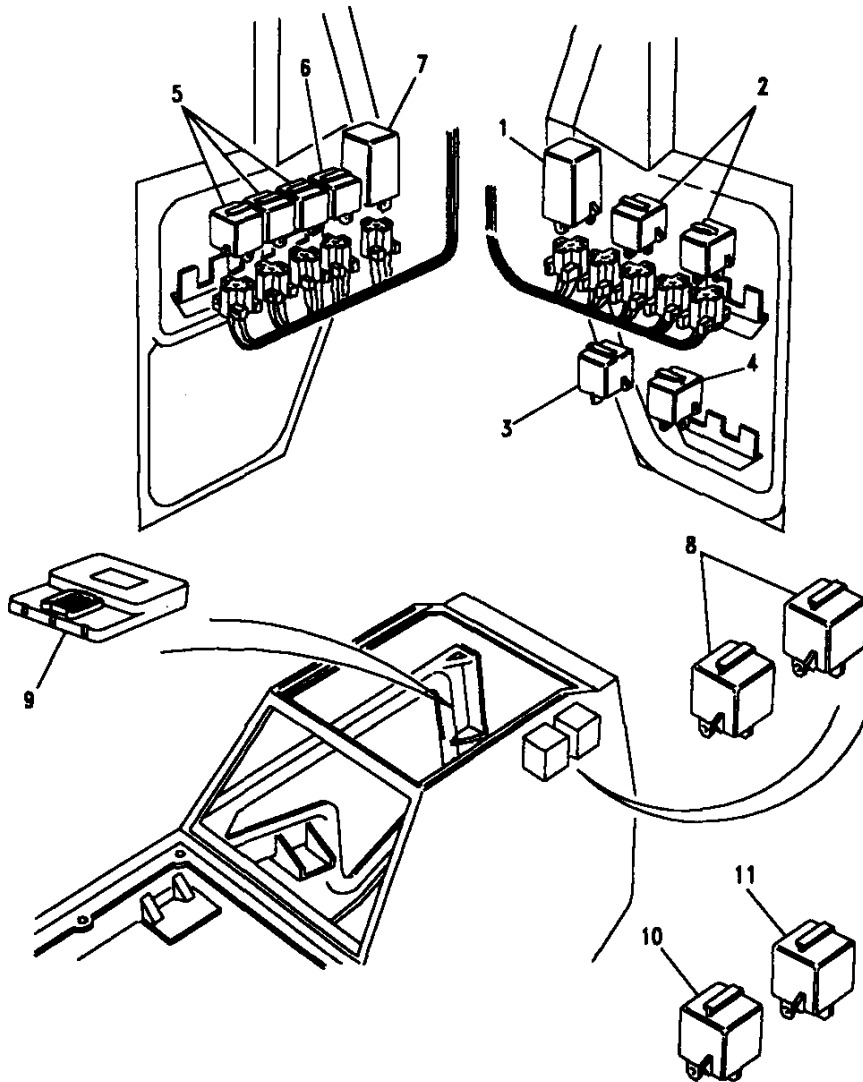
8	YWB10027L	Relay - heated seats	2	Yellow
9	PRC9949	ECU - window lift	1	

**Japan only**

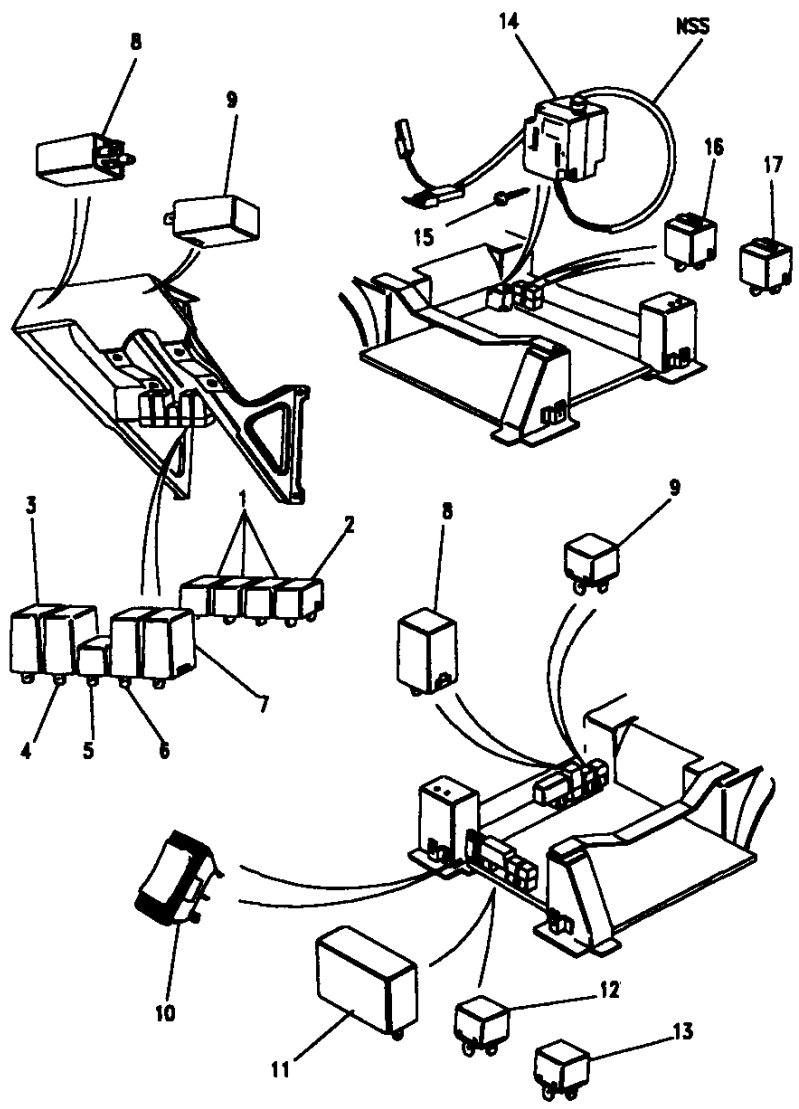
10	YWB10027L	Relay - shift interlock	1	Yellow
----	-----------	-------------------------	---	--------

**Manual only**

11	YWB10032L	Relay - speed trip	1	Green
----	-----------	--------------------	---	-------



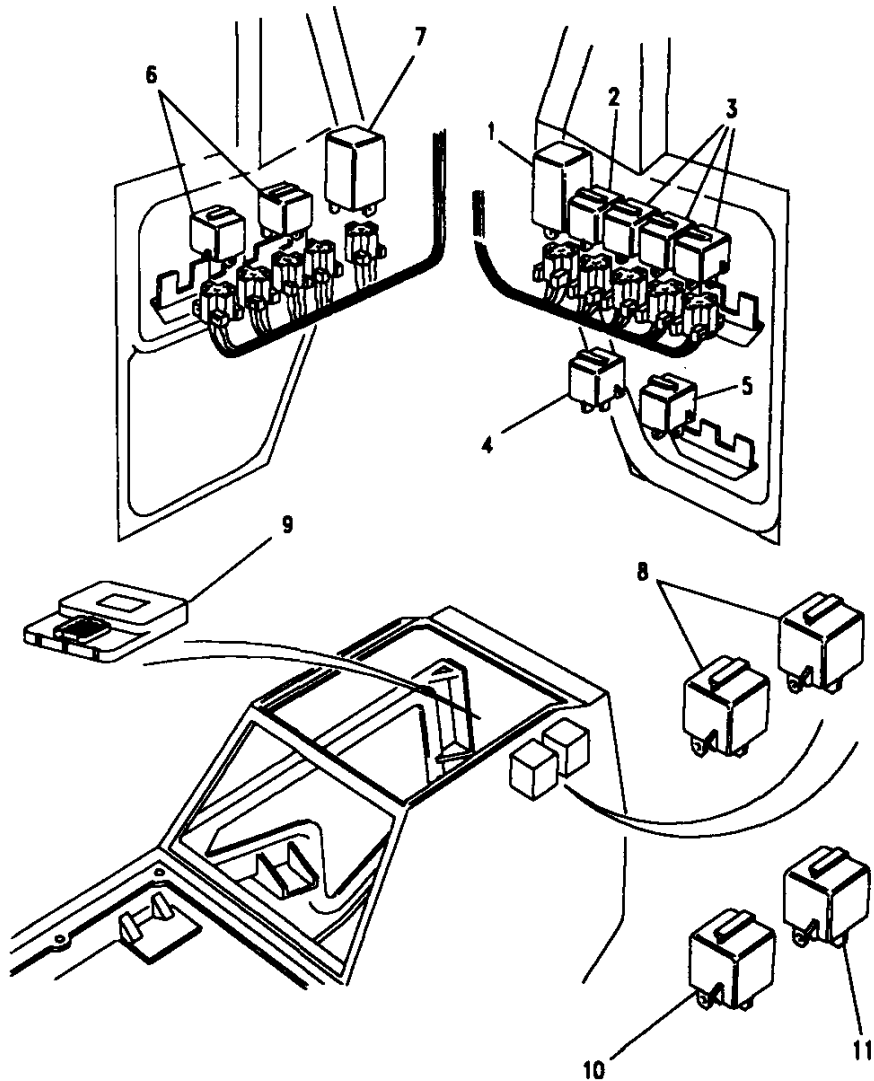




**Model** RANGE ROVER 1992 onwards  
**Page** BDMXGA7A

**ELECTRICAL - RELAYS - FROM KA624781 UP TO LA647644**

Ill. Part No.	Description	Qty	Remarks
<b>LHS only</b>			
<b>Steering column support - back relays</b>			
1	YWB10027L	1	Yellow
	YWB10027L	1	Yellow
<b>Steering column support - front relays</b>			
2	PRC9957	1	Blue
3	AMR2341	1	Red
4	PRC7303	1	Black
5	PRC9948	1	Black
<b>Steering column - top bracket</b>			
6	PRC8876	1	
7	PRC4288	1	Gulf states only
<b>Seat crossmembers</b>			
8	PRC7413	1	Green
9	AFU2913L	1	Aluminium
	AFU2913L	1	Aluminium
10	AMR2169	1	
11	AMR1111	1	Natural
12	YWB10027L	1	Yellow
13	YWB10032L	1	Green
14	DBC2022L	1	
15	AB610121L	2	
16	YWB10032L	1	Green
17	YWB10027L	1	Yellow



**Model** RANGE ROVER 1992 onwards  
**Page** BDMXGA8A

**ELECTRICAL - RELAYS - FROM KA624781 UP TO LA647644**

Ill. Part No.	Description	Qty	Remarks
<b>LHS only</b>			
<b>Right hand side - upper level</b>			
1	PRC7872 Relay - A/C diode	1	Orange
2	YWB10032L Relay - air con.	1	Green
3	YWB10027L Relay - A/C clutch	1	Yellow
	YWB10027L Relay - A/C fans	1	Yellow
	YWB10027L Relay - A/C fans	1	Yellow
	YWB10027L Relay - heater	1	Yellow
<b>Right hand side - lower level</b>			
4	PRC6796 Relay - HFS timer	1	Grey
5	YWB10032L Relay - cruise control	1	Green
<b>Left hand side</b>			
2	YWB10027L Relay - auxiliary lamps	1	Yellow
	YWB10027L Relay - rear wiper	1	Yellow
7	PRC8882 Relay - speed buffer	1	White
<b>Cubby Box</b>			
8	YWB10027L Relay - heated seats	2	Yellow
9	PRC9949 ECU - window lift	1	
<b>Manual only</b>			
11	YWB10032L Relay - speed trip	1	Green

**Model** RANGE ROVER 1992 onwards  
**Page** BDMXGA8B

**ELECTRICAL - RELAYS - FROM MA647645**

**III. Part No. Description Qty Remarks**

**Note - Flasher unit & rear defrost relay now with Interior fuse box.**

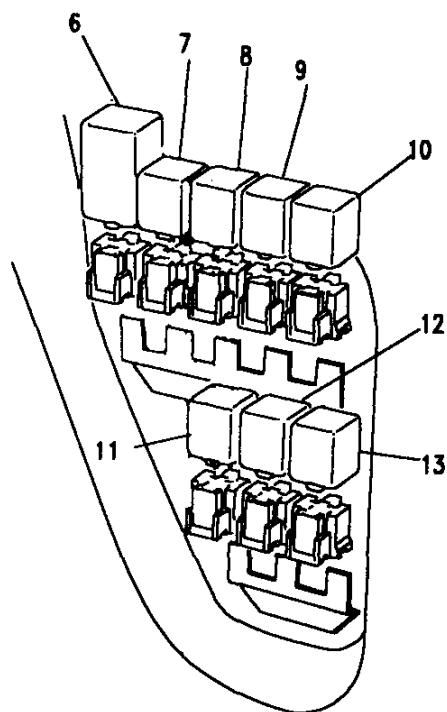
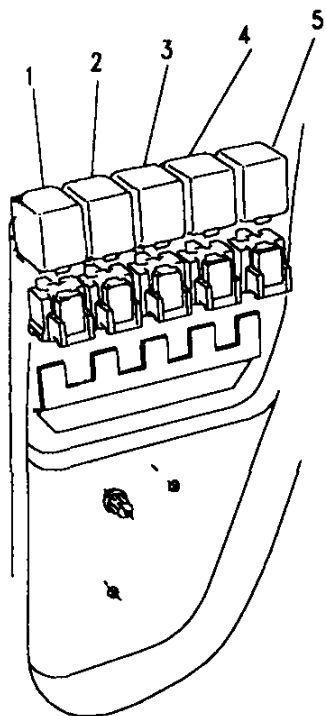
**LH footwell A post**

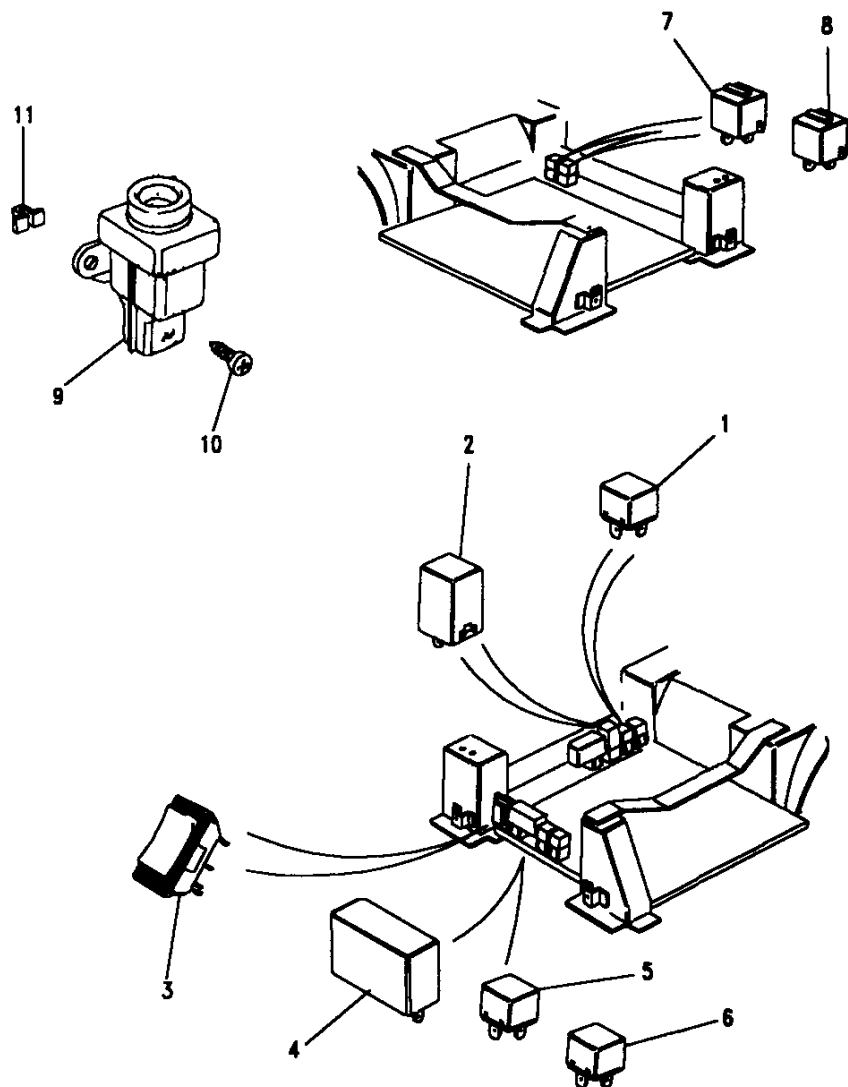
1	YWB10027L	Relay - horn	1
2	YWB10027L	Relay - aux. key position	1
3	YWB10032L	Relay - rear wiper	1
4	YWB10027L	Relay - alarm sound	1
5	AMR1088	Relay - hazard warning	1

**RH footwell A post**

6	AMR3678	Relay - fan timer	1
7	AFU2913L	Relay - PI main injection	1
8	AFU2913L	Relay - PI fuel pump	1
9	YWB10027L	Relay - air con	1
10	YWB10027L	Relay - air con	1
11	YWB10027L	Relay - starter	1
12	YWB10032L	Relay - ignition	1
13	YWB10032L	Relay - front wiper	1

- Note(1) Relay colour - YWB10027L = yellow
- Note(2) Relay colour - YWB10032L = green
- Note(3) Relay colour - AFU2913L = silver/aluminium
- Note(4) Relay colour - AMR3678 = green
- Note(5) Relay colour - AMR1088 = brown





**Model** RANGE ROVER 1992 onwards  
**Page** BDMXGA8C

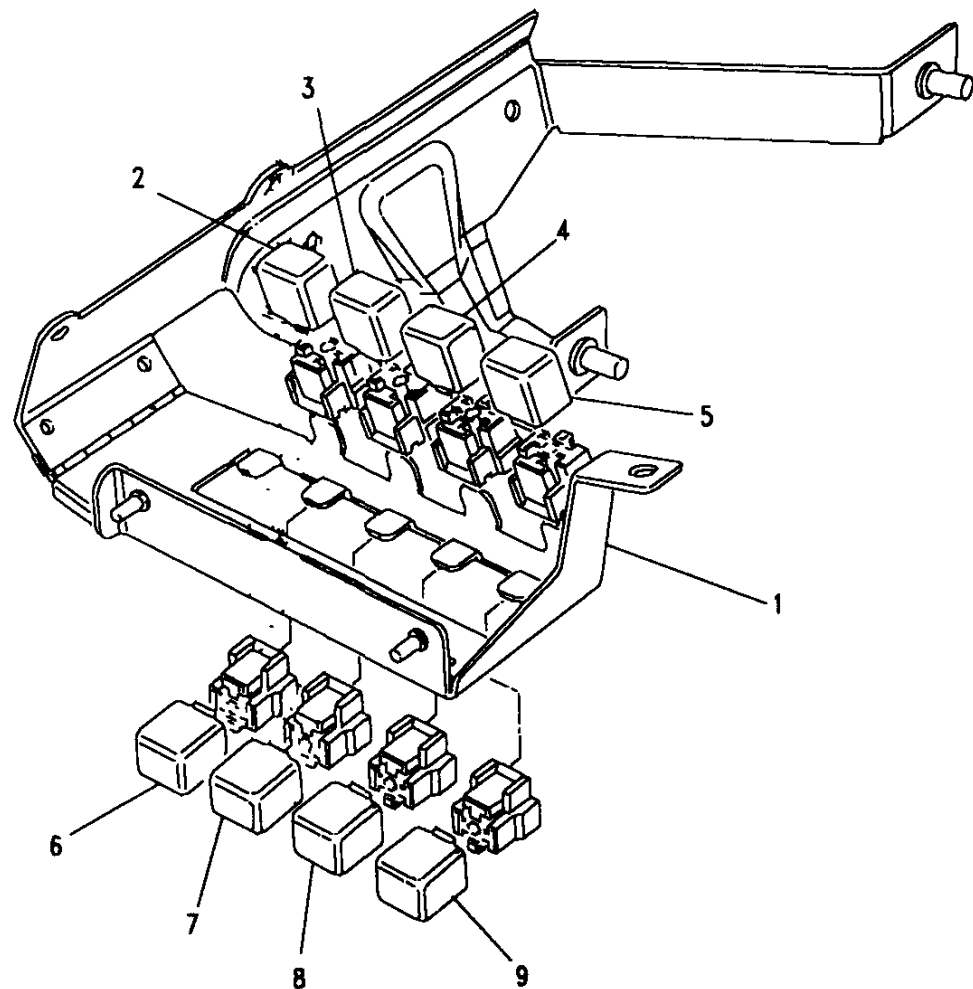
**ELECTRICAL - RELAYS - FROM MA647645**

III. Part No.	Description	Qty	Remarks
<b>RH seat</b>			
1	YWB10027L	1	Relay - heated seat Yellow
2	YWB10027L	1	Relay - power seat Yellow
3	AMR2169	1	Switch - air sus. disable
4	AMR1111	1	Relay - air sus. delay Natural
5	YWB10027L	1	Relay - air sus compres'r Yellow
6	YWB10032L	1	Relay - air sus. warning Green
<b>LH seat</b>			
7	YWB10027L	1	Relay - heated seat Yellow
8	YWB10027L	1	Relay - power seat Yellow
<b>Inertia fuel shut-off switch</b>			
9	WQT10001L	1	Switch inertia
10	AB610041L	2	Screw
11	CZG1948	2	Nut lokut

- Note(1) For ABS relays under LH seat, see ABS section.
- Note(2) Relay colour - YWB10027L = yellow
- Note(3) Relay colour - YWB10032L = green
- Note(4) Relay colour - AMR1111 = natural

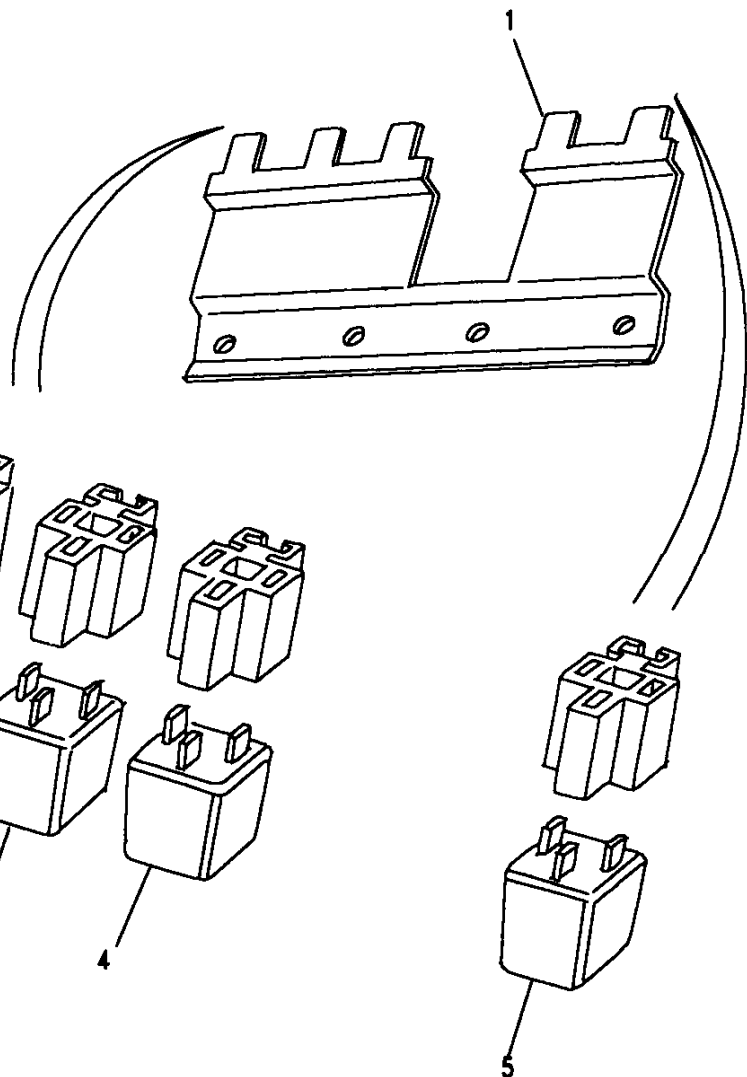
**Model** RANGE ROVER 1992 onwards  
**Page** BDMXGA8D

**ELECTRICAL - RELAYS - FROM MA647645**



Ill. Part No.	Description	Qty	Remarks
<b>Passenger footwell hinged bracket</b>			
1	AMR4139	1	RHS
	AMR4140	1	LHS
2	YWB10027L	1	
3	YWB10027L	1	
4	PRC9666	1	Manual
	YWB10032L	1	Auto
5	PRC7303	1	
6	YWB10027L	1	
7	YWB10027L	1	
8	YWB10027L	1	
9	YWB10027L	1	

- Note(1) Relay colour - YWB10027L = yellow
- Note(2) Relay colour - YWB10032L = green
- Note(3) Relay colour - AMR3773 = black
- Note(4) Relay colour - PRC7303 = black
- Note(5) Relay colour - PRC9666 = black



**Model** RANGE ROVER 1992 onwards  
**Page** BDMXGA8E

**ELECTRICAL - RELAYS - FROM MA647645**

III. Part No.	Description	Qty	Remarks
<b>Japan only</b>			
1	AMR3134	1	Bracket relay mounting
2	YWB10032L	1	Relay - shift interlock
3	YWB10027L	1	Relay - shift interlock
4	YWB10027L	1	Relay - catalyst warning
5	YWB10027L	1	Relay - power amplifier

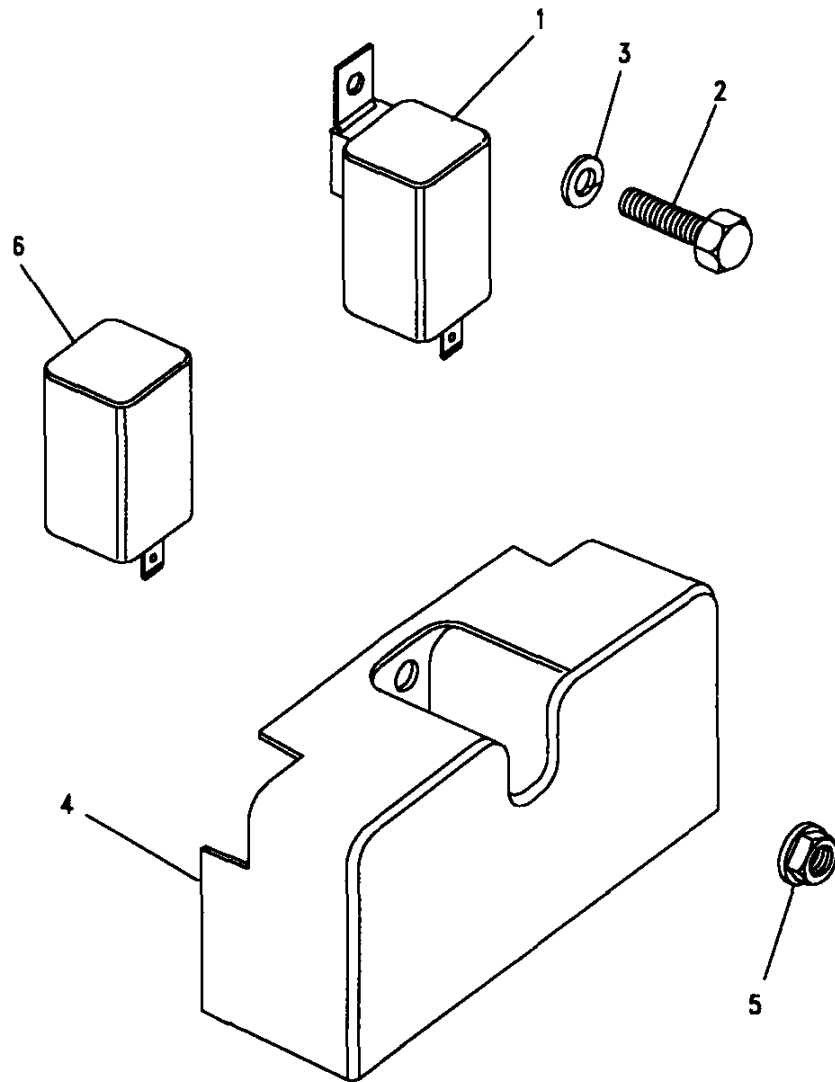
Note(1) Relay colour - YWB10027L = yellow  
 Note(2) Relay colour - YWB10032L = green

**Model** RANGE ROVER 1992 onwards  
**Page** BDMXGA9A

**ELECTRICAL - GLOW PLUG TIMER - UP TO LA647644**

III. Part No.	Description	Qty	Remarks
<b>Glow plug timer</b>			
1 PRC7862	Timer unit	1	Black
2 SH106121L	Screw	1	
3 WF106001L	Washer lock	1	
4 PRC7484	Cover	1	
5 NTC1966	Durlock nut	1	
6 ADU1784L	Relay power wash	1	

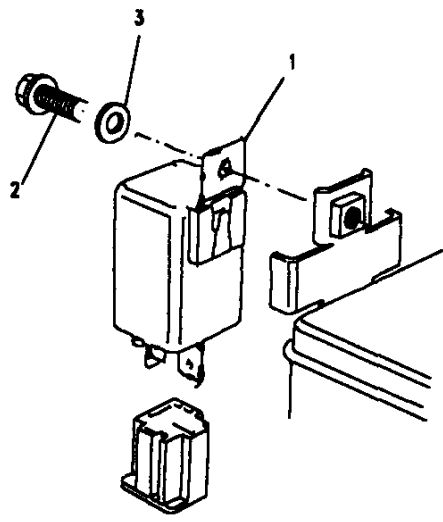
Note(1) Glow plug harness part of main harness



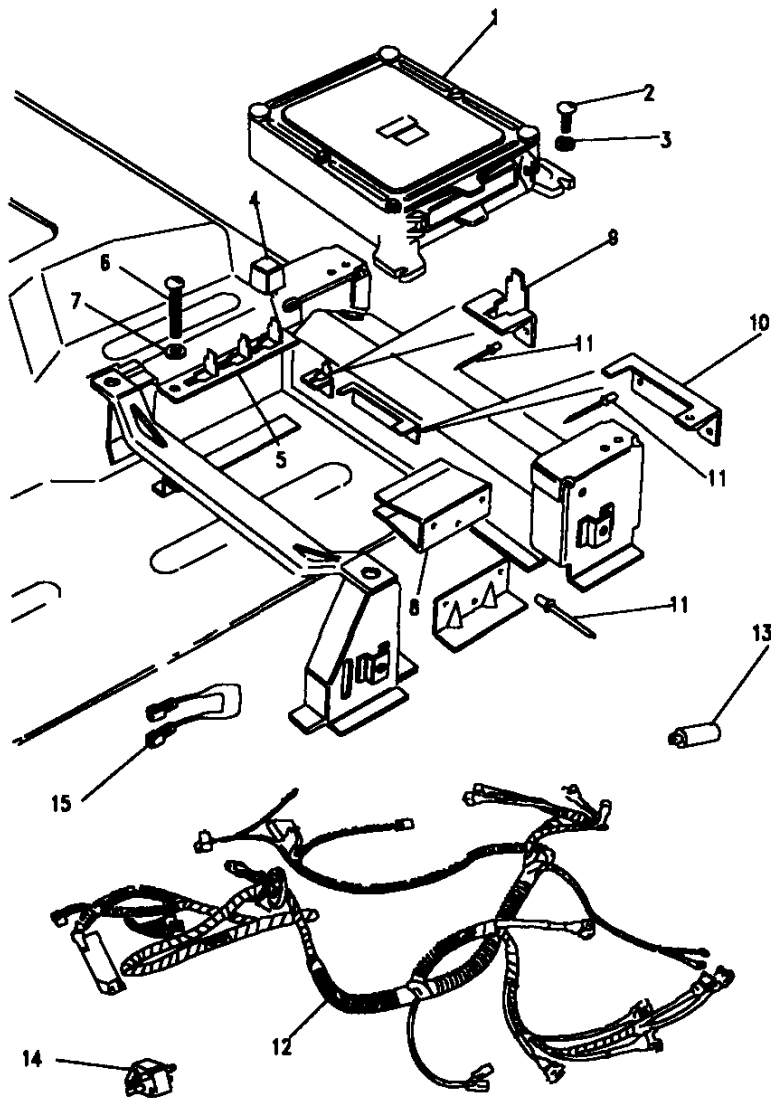
**Model** RANGE ROVER 1992 onwards  
**Page** BDMXGA9B

**ELECTRICAL - GLOW PLUG TIMER - FROM MA647645**

III. Part No.	Description	Qty	Remarks
<b>Glow plug timer - 300TDI</b>			
1	PRC6913 Timer unit	1	
2	SH910241L Screw	1	
3	WE105001L Washer lock	1	



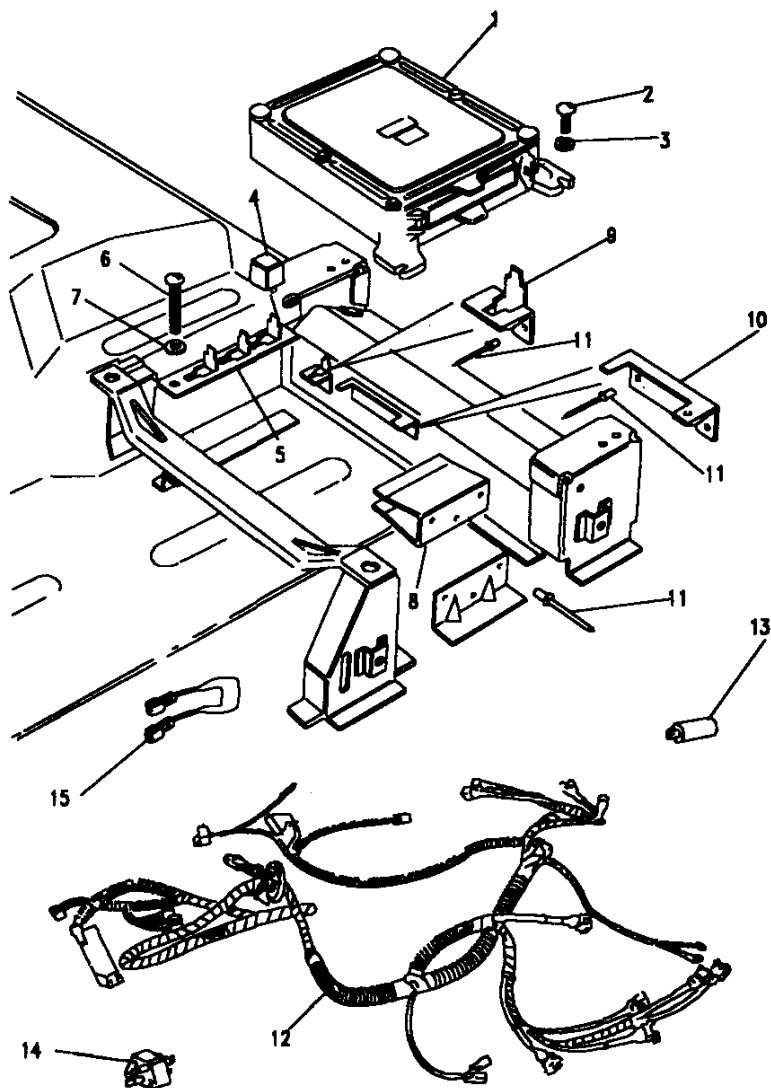




**Model** RANGE ROVER 1992 onwards  
**Page** BDMXGC1A

**ELECTRICAL - ELECTRONIC FUEL INJECTION**

III. Part No.	Description	Qty	Remarks
<b>3.9 litre</b>			
1 PRC9515	Electronic control unit	1	Up to JA615688
1 PRC9611	Electronic control unit	1	From JA615689 up to JA624755
1 AMR1424	Electronic control unit	1	From KA624756 up to KA632715
1 AMR2942	Electronic control unit	1	From KA632716 up to LA647644
1 AMR3242	Electronic control unit	1	From MA647645
<b>4.2 litre</b>			
1 AMR1424	Electronic control unit	1	Up to KA632715
1 AMR2944	Electronic control unit	1	From KA632716 Up to LA647644
1 AMR3243	Electronic control unit	1	From MA647645
<b>All variants</b>			
2 SE106121L	Screw	2	
3 MRC5528	Washer plain	2	
4 AGU1068L	Relay E.F.I.	2	Non catalyst
4 AFU2913L	Relay E.F.I.	2	Catalyst only
5 MWC3209	Bracket mounting	1	
6 SE106161L	Screw	2	
7 3900L	Washer plain	2	
8 MXC4664	Clip	1	
9 MWC3235	Bracket mounting	2	
10 MWC3234	Bracket mounting	2	
11 RA608127	Rivet	6	



**Model** RANGE ROVER 1992 onwards  
**Page** BDMXGC1A

**ELECTRICAL - ELECTRONIC FUEL INJECTION**

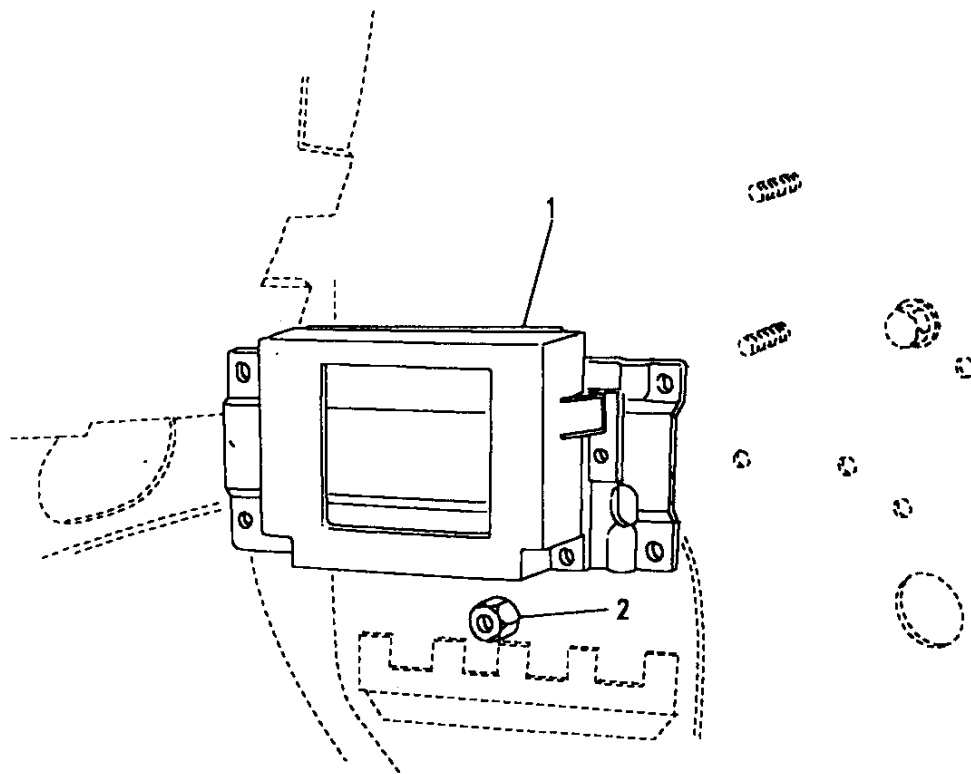
III. Part No.	Description	Qty	Remarks
<b>Catalyst only</b>			
12 PRC9635	Harness EFI	1	Note(1)
AMR1943	Harness EFI	1	Note(2)
AMR3446	Harness EFI	1	Note(4)
<b>Non catalyst only</b>			
PRC9636	Harness EFI	1	Note(1)
AMR1944	Harness EFI	1	Note(3)
AMR3447	Harness EFI	1	Note(5)
<b>All variants</b>			
13 DRC1752L	Resistor	1	
14 PRC5092	Plug	1	
<b>Tune resistors</b>			
15 PRC8172	Resistor 470 Ohm - green	1	3.9 non cat.
PRC8009	Resistor 3k9 Ohm - white	1	All 3.9 with cat. & 4.2 with AMR2942
AMR2016	Resistor 1k8 Ohm - blue	1	4.2 with AMR1424
PRC8005	Resistor 180 Ohm - red	1	Australia
PRC8007	Resistor 910 Ohm - yellow	1	Gulf

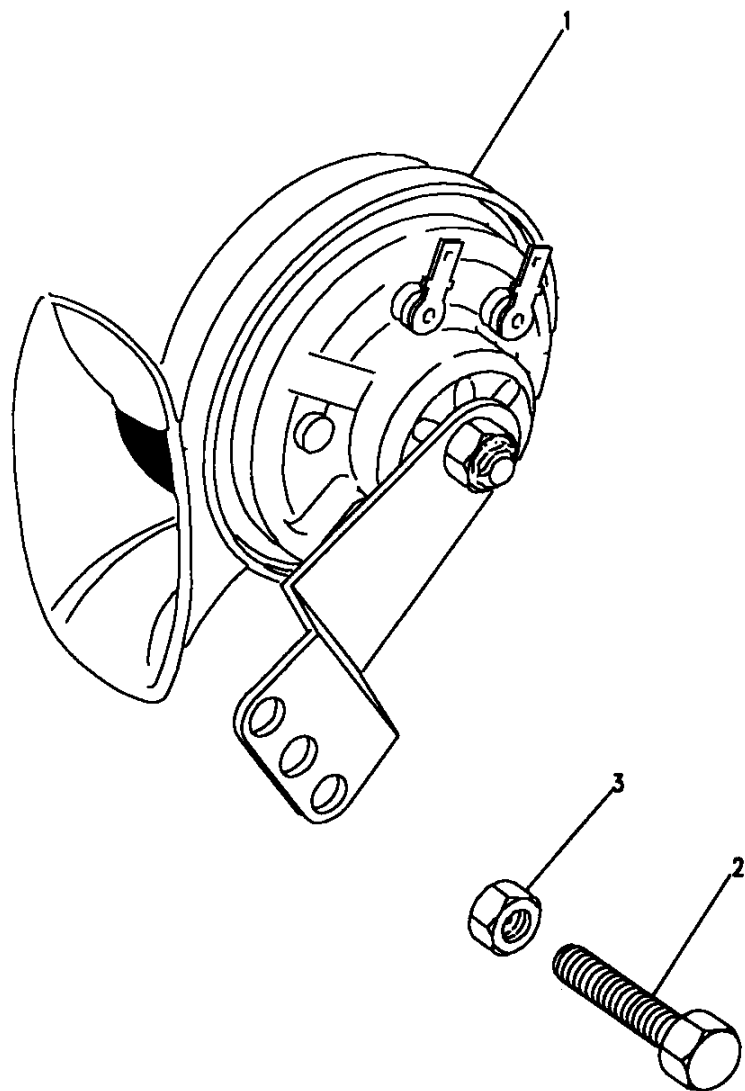
Note(1) Up to JA624755  
 Note(2) From KA624756 to KA642747  
 Note(3) From KA624756 to KA642943  
 Note(4) From KA642748  
 Note(5) From KA642944

**Model** RANGE ROVER 1992 onwards  
**Page** BDMXGC2A

**ELECTRICAL - EXHAUST GAS RECIRCULATION**

III. Part No.	Description	Qty	Remarks
<b>Electronic EGR 300TDI</b>			
1 ERR4196	Electronic unit	1	
2 NTC7314	Nut push on M5	2	



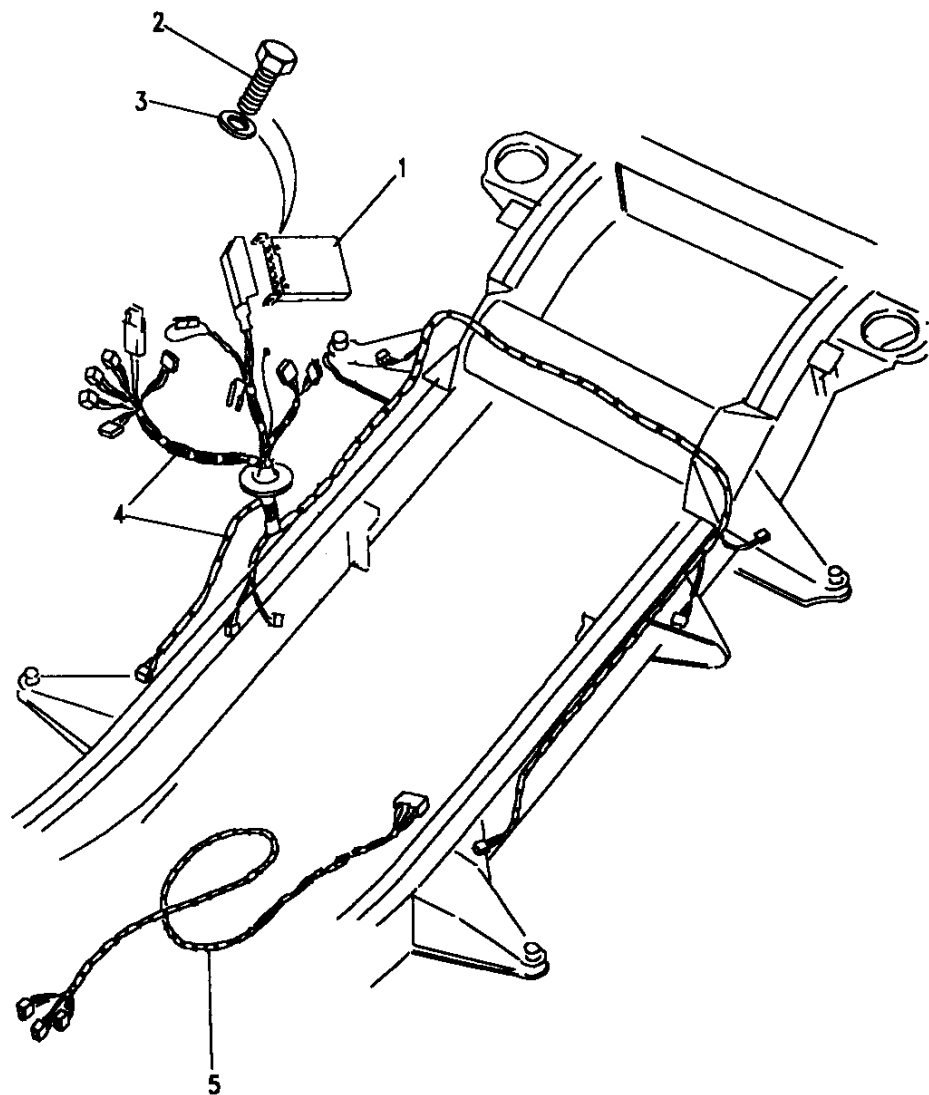


**Model** RANGE ROVER 1992 onwards

**Page** BDMXGE1A

**BODY ELECTRICS - HORN**

iii. Part No.	Description	Qty	Remarks
<b>High note</b>			
1 YEB10026	Horn high note	1	Up to LA647644
AMR3337	Horn high note	1	From MA647645
<b>Low note</b>			
YEB10027	Horn low note	1	Up to LA647644
AMR3338	Horn low note	1	From MA647645
<b>Fixings</b>			
2 SH106121L	Screw	2	
3 FN106047L	Nut flanged	2	



**Model** RANGE ROVER 1992 onwards  
**Page** BDMXGG1A

**ELECTRICAL - ELECTRONIC AIR SUSPENSION**

III. Part No.	Description	Qty	Remarks
1	AMR2289 Electronic control unit	1	Up to KA640177
	AMR3234 Electronic control unit	1	From KA640178
2	SH106121L Screw	2	
3	WA106041L Washer	2	
<b>100" wheelbase</b>			
4	AMR2279 Harness chassis	1	Up to LA647644
	AMR3544 Harness chassis	1	From MA647645 up to MA654292
	AMR3866 Harness chassis	1	From MA654293
	YQG10008 Fuse 30A "maxi"	1	
<b>108" wheelbase</b>			
	AMR2280 Harness chassis	1	Up to LA647644
	AMR3543 Harness chassis	1	From MA647645 up to MA654292
	AMR3867 Harness chassis	1	From MA654293
	YQG10008 Fuse 30A "maxi"	1	
<b>Switch harness</b>			
5	AMR1406 Harness assembly	1	RHS
	AMR1405 Harness assembly	1	LHS

- Note(1) The air susp. ECU is located below the cubby box.  
 Note(2) For air susp. switches up to LA647644 see page 693 - 696  
 Note(3) For air susp. switches from MA647645 see auxiliary switch section.  
 Note(4) Air suspension relays are shown in relay section.

**Model** RANGE ROVER 1992 onwards  
**Page** BDMXGK1B

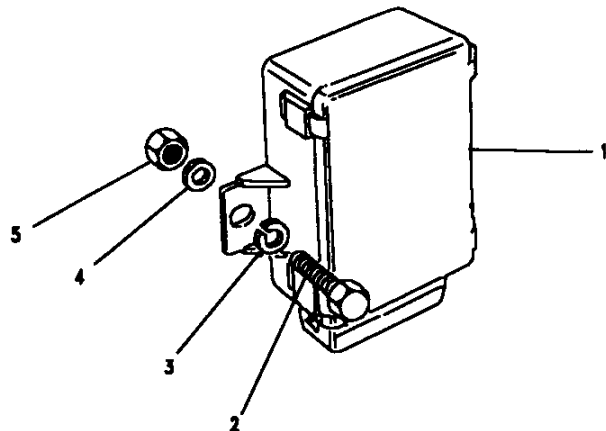
**ELECTRICAL - ALARM / REMOTE LOCKING SYSTEM**

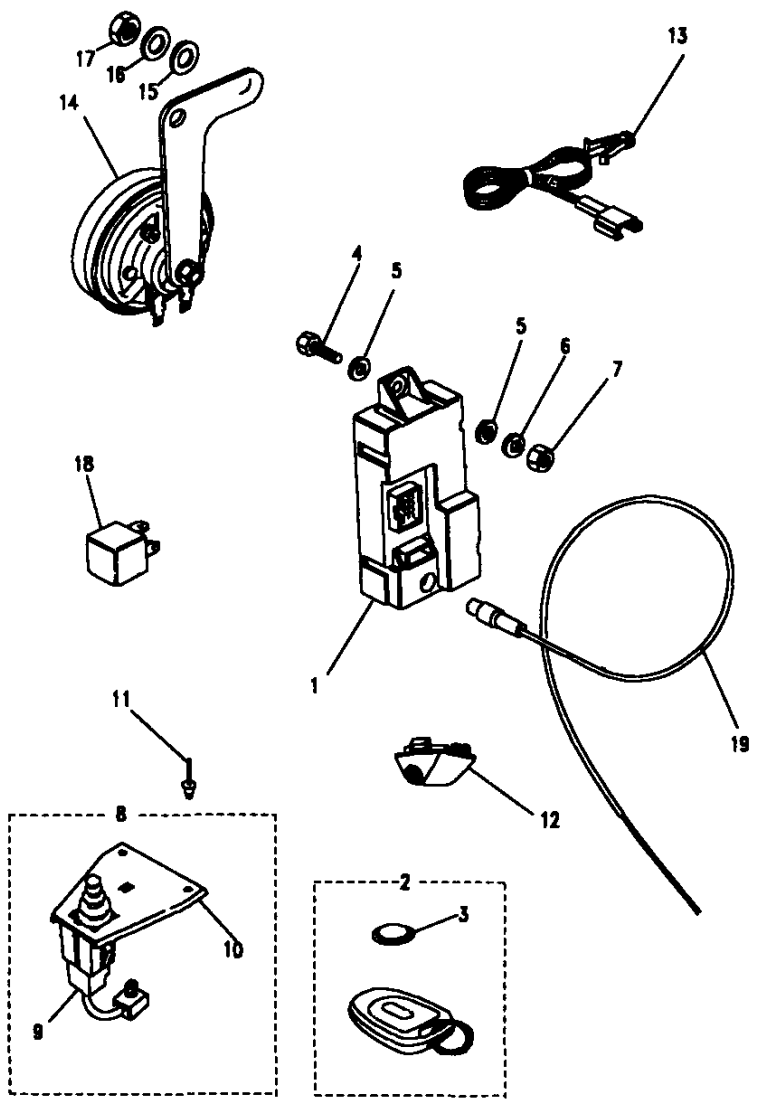
**III. Part No. Description Qty Remarks**

**Central door locking ECU**

1	PRC7921	Control unit CDL	1
2	257020	Screw	2
3	WC702101L	Washer plain	4
4	WM702001L	Washer spring	2
5	257011	Nut	2

Note(1) For door lock actuators see door lock section.

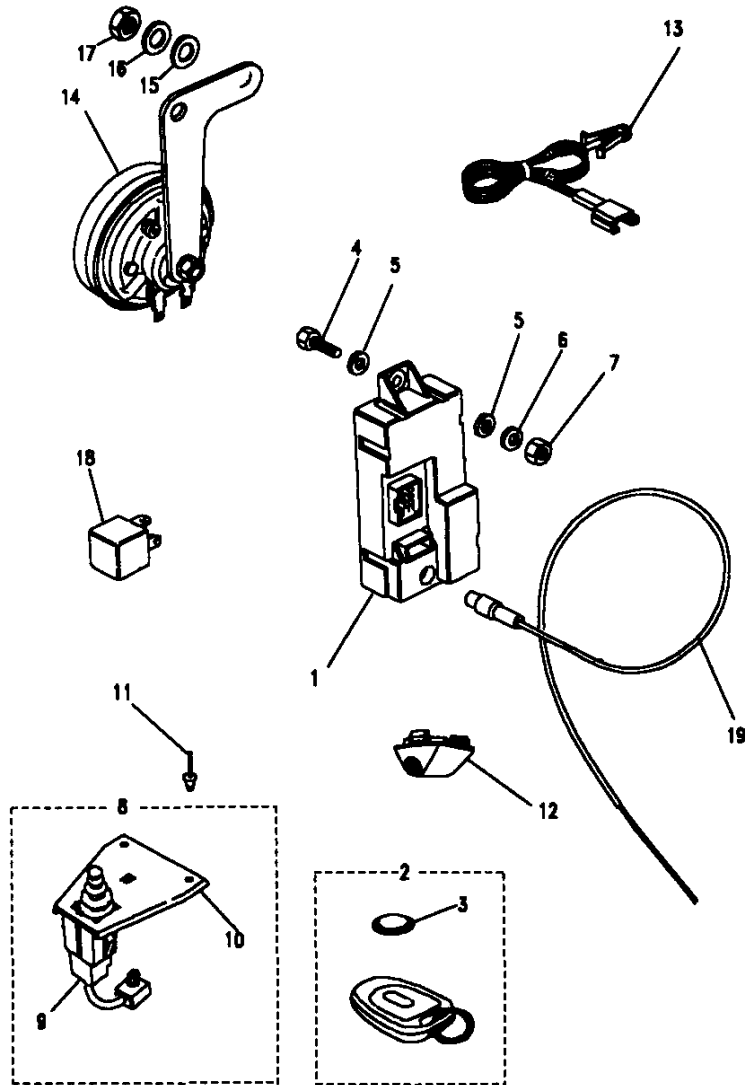




**Model** RANGE ROVER 1992 onwards  
**Page** BDMXGK1A

**ELECTRICAL - ALARM / REMOTE LOCKING SYSTEM**

iii. Part No.	Description	Qty	Remarks
<b>U.K.</b>			
1 AMR2106	Control unit - 418 MHz	1	
2 AMR2024	Remote unit - 418 MHz	1	Up to LA647644
AMR3720	Remote unit - 418 MHz	1	From MA647645
<b>France</b>			
1 AMR2107	Control unit - 224 MHz	1	
2 AMR2025	Remote unit - 224 MHz	1	Up to LA647644
AMR3721	Remote unit - 224 MHz	1	From MA647645
<b>Germany</b>			
1 AMR2109	Control unit - 433 MHz	1	
2 AMR2027	Remote unit - 433 MHz	1	Up to LA647644
AMR3725	Remote unit - 433 MHz	1	From MA647645
<b>Italy</b>			
1 AMR2108	Control unit - 315 MHz	1	
2 AMR2026	Remote unit - 315 MHz	1	Up to LA647644
AMR3722	Remote unit - 315 MHz	1	From MA647645

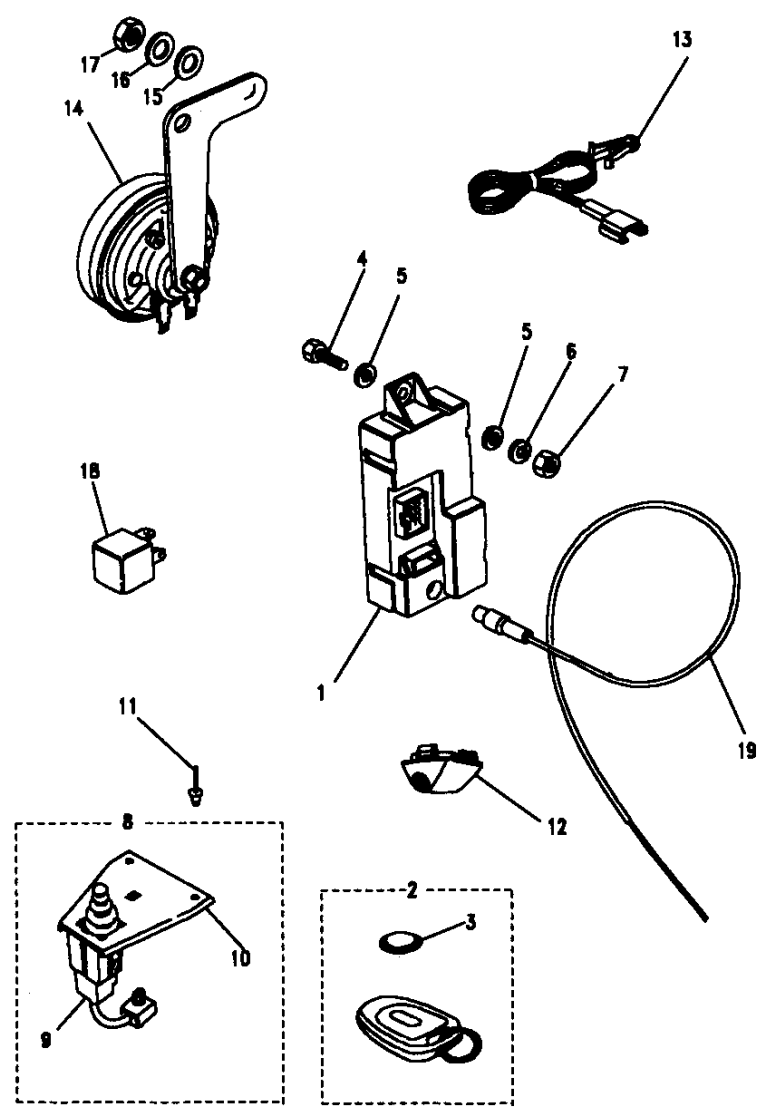


**Model** RANGE ROVER 1992 onwards  
**Page** BDMXGK1A

**ELECTRICAL - ALARM / REMOTE LOCKING SYSTEM**

III. Part No.	Description	Qty	Remarks
<b>Switzerland &amp; Denmark</b>			
1	AMR2110	1	Control unit - 433 MHz
	AMR2591	1	Control unit - 433 MHz
2	AMR2027	1	Remote unit - 433 MHz
	AMR3723	1	Remote unit - 433 MHz
<b>Rest of Europe - Alarm system</b>			
1	AMR2109	1	Control unit - 433 MHz
2	AMR2027	1	Remote unit - 433 MHz
	AMR3723	1	Remote unit - 433 MHz
<b>Rest of Europe - Remote locking system</b>			
1	AMR2591	1	Control unit - 433 MHz
2	AMR2027	1	Remote unit - 433 MHz
	AMR3723	1	Remote unit - 433 MHz





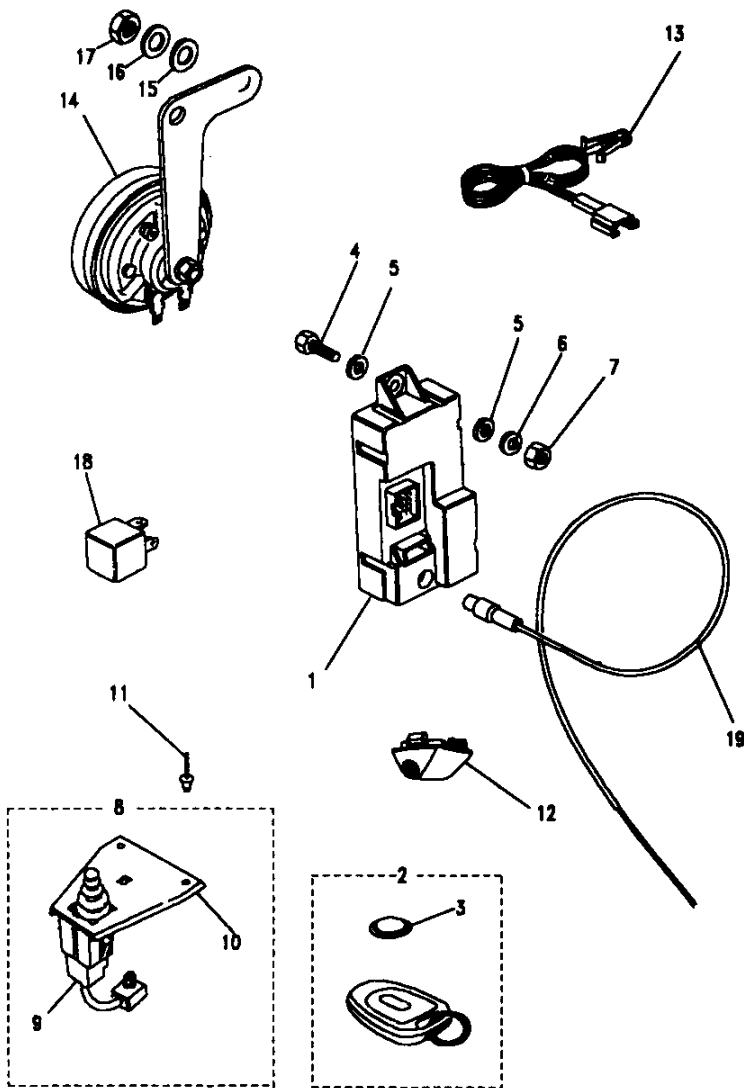
**Model** RANGE ROVER 1992 onwards  
**Page** BDMXGK1A

**ELECTRICAL - ALARM / REMOTE LOCKING SYSTEM**

III. Part No.	Description	Qty	Remarks
<b>Australia</b>			
1 AMR2108	Control unit - 315 MHz	1	
2 AMR2026	Remote unit - 315 MHz	1	Up to LA647644
AMR3722	Remote unit - 315 MHz	1	From MA647645
<b>South &amp; East Africa</b>			
1 AMR2108	Control unit - 315 MHz	1	Up to KA625689
2 AMR2026	Remote unit - 315 MHz	1	Up to LA647644
AMR3722	Remote unit - 315 MHz	1	From MA647645
<b>Japan &amp; Gulf States</b>			
1 AMR2108	Control unit - 315 MHz	1	Up to KA625689
AMR2469	Control unit - 315 MHz	1	From KA625690, remote locking only
2 AMR2026	Remote unit - 315 MHz	1	Up to LA647644
AMR3722	Remote unit - 315 MHz	1	From MA647645
<b>ROW - 433MHz system</b>			
1 AMR2109	Control unit - 433 MHz	1	
2 AMR2027	Remote unit - 433 MHz	1	Up to LA647644
AMR3723	Remote unit - 433 MHz	1	From MA647645
<b>ROW - 315 MHz system</b>			
1 AMR2108	Control unit - 315 MHz	1	
2 AMR2026	Remote unit - 315 MHz	1	Up to LA647644
AMR3722	Remote unit - 315 MHz	1	From MA647645

**Model** RANGE ROVER 1992 onwards  
**Page** BDMXGK1A

**ELECTRICAL - ALARM / REMOTE LOCKING SYSTEM**



III. Part No.	Description	Qty	Remarks
<b>All variants</b>			
3	STC961	2	Battery
4	SH105201L	2	Screw
5	WA105001L	4	Washer plain
6	WL105001L	2	Washer lock
7	NH105041L	2	Nut
8	AMR2594	1	Bonnet switch assembly
9	AMR2022	1	Switch bonnet
10	AMR2593	1	Bracket mounting
11	RA612158	2	Rivet
12	YWC10226LUM	1	Sensor alarm
	YWC102890LUM	1	Sensor alarm
13	AMR1836	1	Alarm LED
	AMR1891	1	Alarm LED
14	AMR1415	1	Horn
15	WA108051L	2	Washer plain
16	WL108001L	2	Washer spring
17	FN108041L	2	Nut
18	AMR1088	1	Relay twin make
	YWB10027L	1	Relay
19	AMR2034	1	Aerial

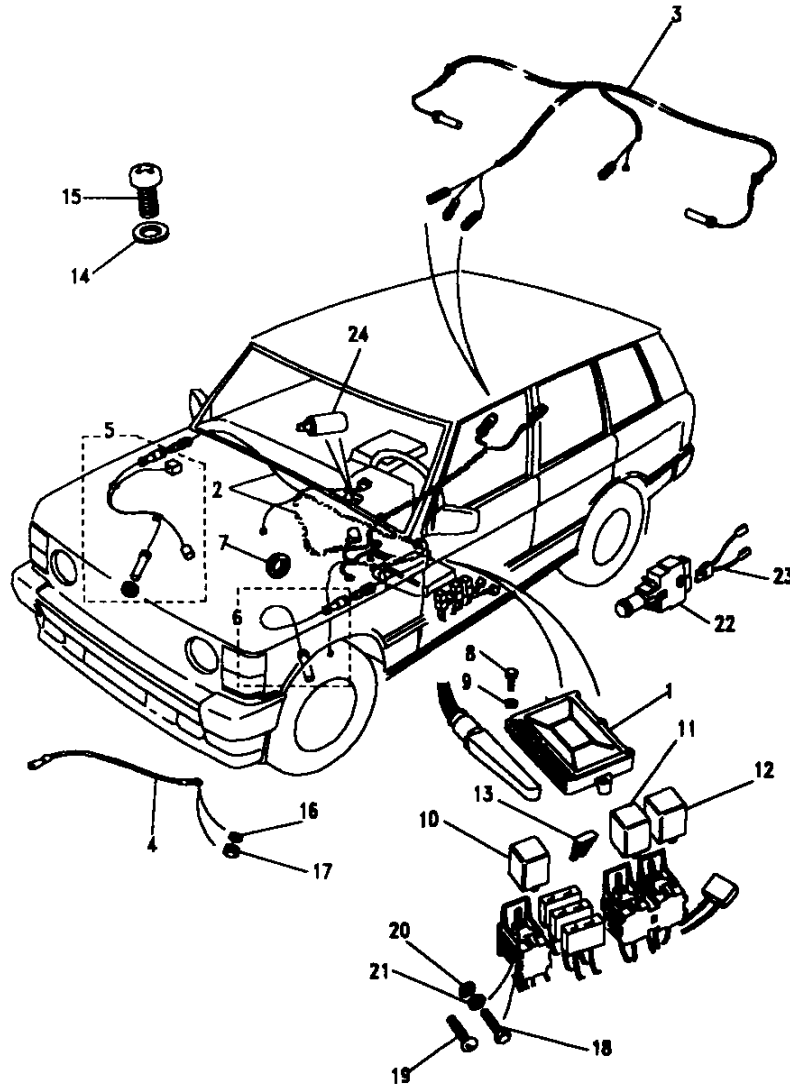
Note(1) Batteries must only be changed IN PAIRS.  
 Note(2) Up to LA647644 only, later systems use vehicle horns.  
 Note(3) For non factory fitted alarms refer to Land Rover Parts Accessories Department

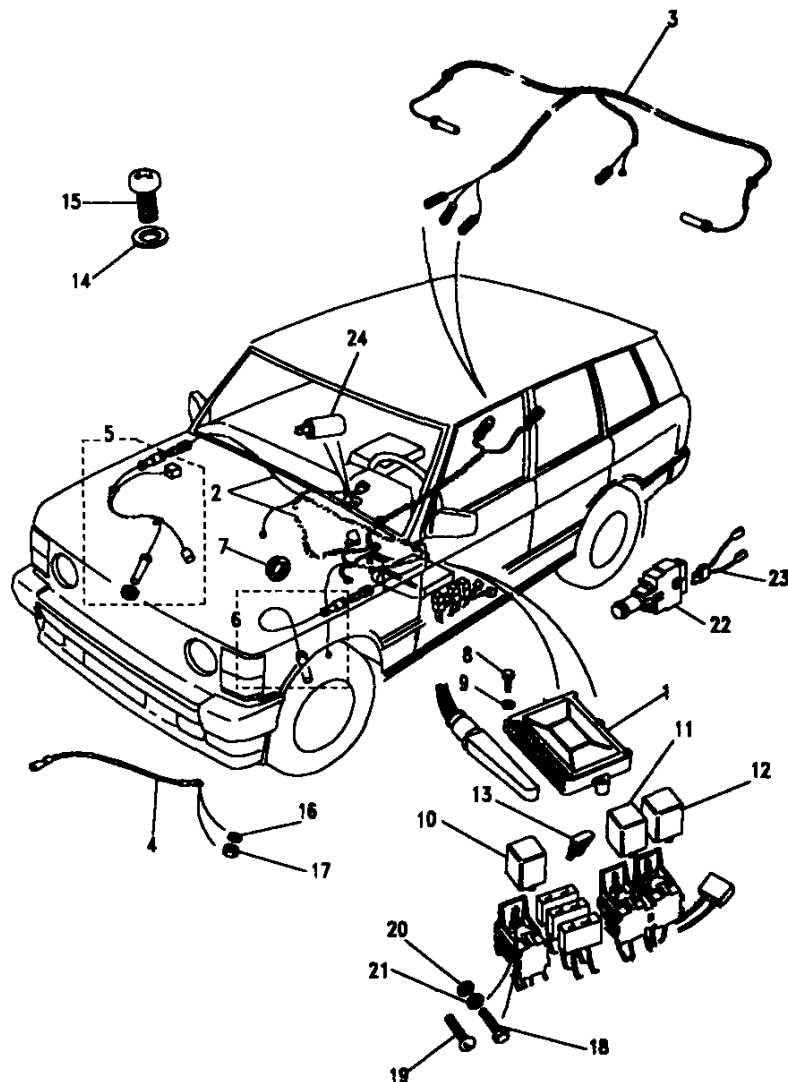
**Model** RANGE ROVER 1992 onwards  
**Page** BDMXHA1A

**ELECTRICAL - ANTI LOCK BRAKE SYSTEM**

III. Part No.	Description	Qty	Remarks
1	RTC6497	1	Note(1)
	NTC8474	1	Note(2)
2	Harness assembly	1	Note(3)
3	AMR3314	1	
	STC1866	1	Kit sensor rear ABS
4	PRC9758	1	Earth lead
5	AMR3312	1	Sensor & harness assy RH
	STC1864	1	Kit sensor ABS front RH
6	AMR3313	1	Sensor & harness assy LH
	STC1865	1	Kit sensor ABS front LH
7	BMK1714	1	Grommet
8	SE105301L	3	Screw
9	WA105001L	3	Washer plain

Note(1) Up to JA624755  
 Note(2) From KA624756 - (Also serves ETC)  
 Note(3) From Vin JA - part of main harness assembly.





**Model** RANGE ROVER 1992 onwards  
**Page** BDMXHA1A

**ELECTRICAL - ANTI LOCK BRAKE SYSTEM**

III. Part No.	Description	Qty	Remarks
10	PRC8531	1	Blue
11	PRC9603	1	Black
12	PRC9603	1	Black
13	RTC4497	2	
	RTC4501	2	
	PRC7498	1	
14	WC702101L	1	
15	AB608031L	1	
16	WA106041L	1	
17	NH106041L	1	
18	FS105107	1	
	SH106121L	1	
19	AV608081	1	
20	WA105001L	1	
21	WL106001L	2	
	WA106041L	2	
22	PRC9915	1	Note(1)
	AMR2010	1	Note(2)
23	PRC7929	1	Note(3)
24	AAU5034	1	

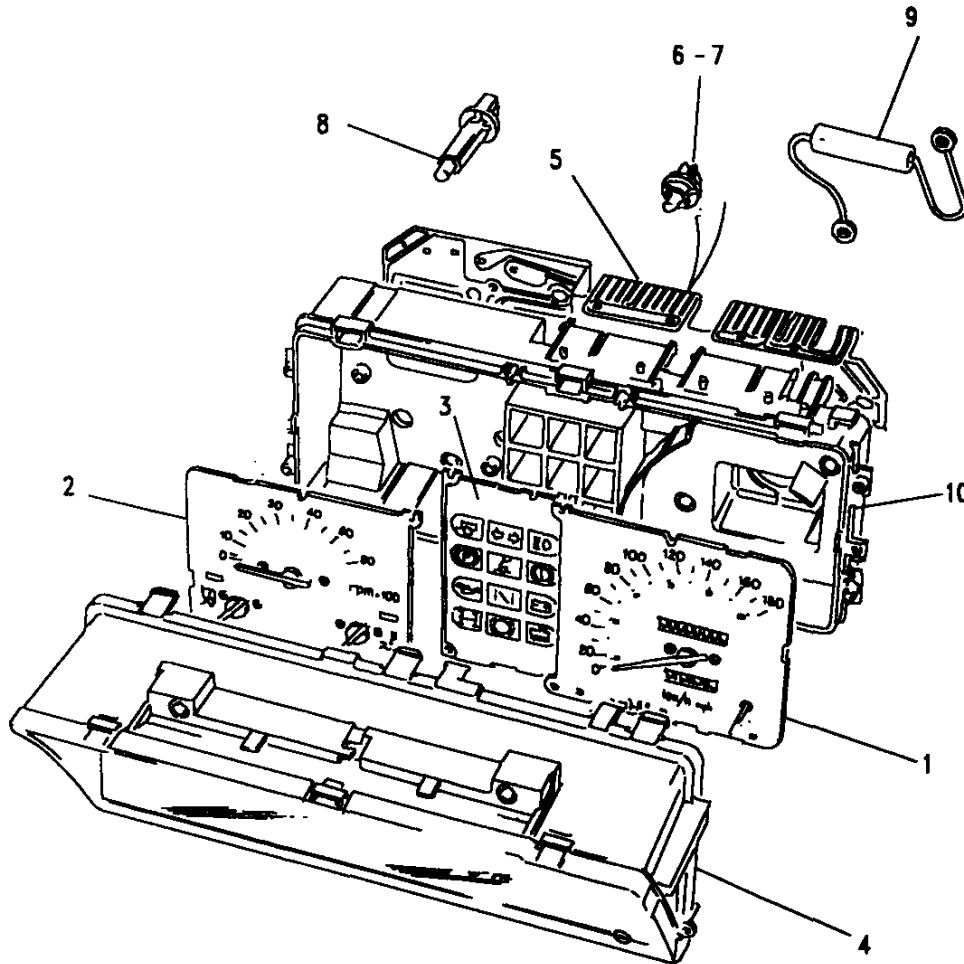
Note(1) Up to JA620456.

Note(2) From JA620457.

Note(3) From Vin JA - part of main harness assembly.

**Model** RANGE ROVER 1992 onwards  
**Page** BDMXIA2A

**ELECTRICAL - INSTRUMENTS - UP TO LA647644**



Ill. Part No.	Description	Qty	Remarks
1	RTC6597	1	Speedometer mph
	RTC6598	1	Speedometer km/h
2	RTC6600	1	Tachometer
	RTC6601	1	Tachometer
3	RTC6602	1	Warning light
	STC623	1	Warning light
<b>Japan only</b>			
	STC255	1	Warning lights
	STC625	1	Warning lights
<b>All variants</b>			
4	RTC6604	1	Window
5	RTC6605	1	Printed circuit
	STC626	1	Printed circuit
<b>Japan only</b>			
	STC88	1	Printed circuit
	STC627	1	Printed circuit
<b>All variants</b>			
6	RTC6607	14	Bulb holder & bulb 1.12W
7	RTC6580	1	Bulb holder & bulb 2W
8	RTC6608	4	Bulb holder & bulb 1.12W
9	STC87	1	Kit resistor
10	STC1231	1	Case instrument pack

Note(1) Up to JA624755  
 Note(2) From KA624756

**Model** RANGE ROVER 1992 onwards  
**Page** BDMXIA5B

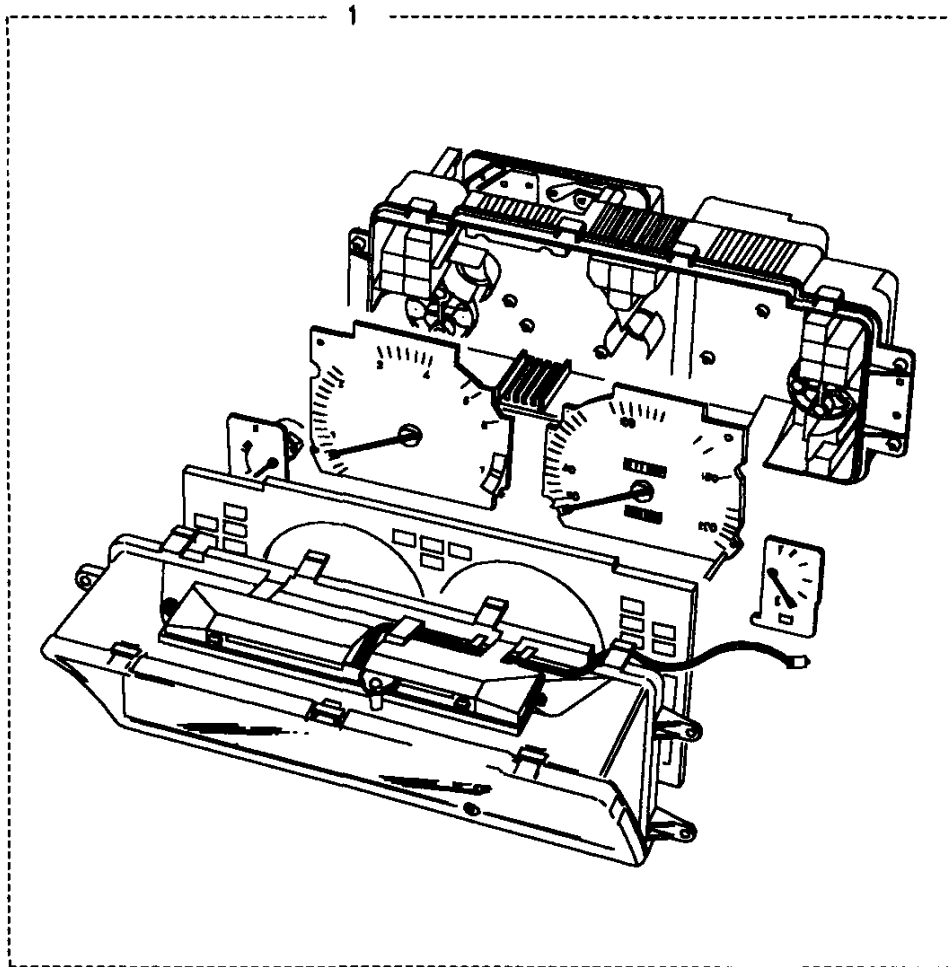
**ELECTRICAL - INSTRUMENTS - FROM MA647645**

**III. Part No. Description Qty Remarks**

**Instrument pack complete**

Part No.	Description	Qty	Remarks
1 AMR1233	Instrument pack - non SRS	1	UK
AMR1339	Instrument pack - SRS	1	UK
AMR1234	Instrument pack - non SRS	1	Europe, Gulf & ROW
AMR1340	Instrument pack - SRS	1	Europe, Gulf & ROW
AMR1237	Instrument pack - non SRS	1	Australia
AMR1345	Instrument pack - SRS	1	Australia
AMR1262	Instrument pack - non SRS	1	Japan
AMR1349	Instrument pack - SRS	1	Japan

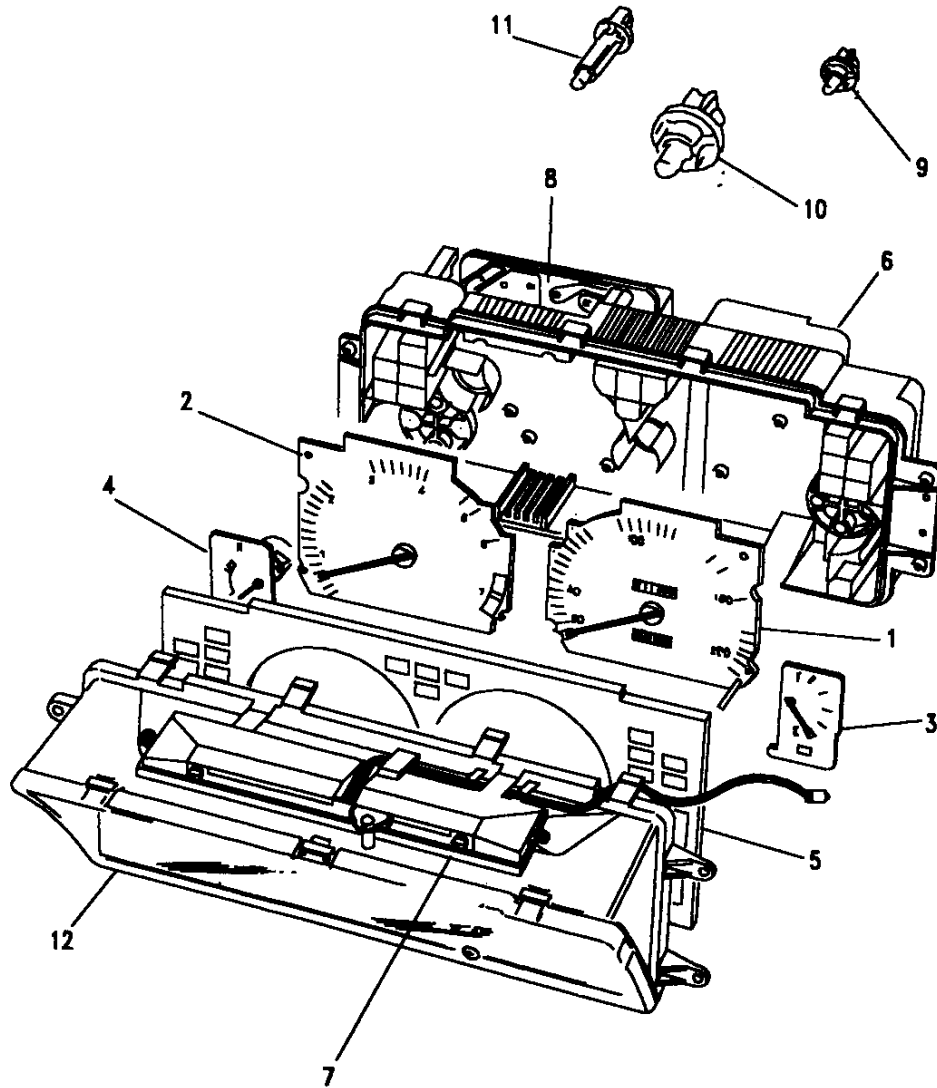
Note(1) For service breakdown see page 540



**Model** RANGE ROVER 1992 onwards  
**Page** BDMXIA3B

**ELECTRICAL - INSTRUMENTS - FROM MA647645**

III. Part No.	Description	Qty	Remarks
1	STC1310	1	Speedometer 135mph
	STC1311	1	Speedometer 210km/h
2	STC1314	1	Tachometer - non SRS
	STC1316	1	Tachometer - SRS
3	STC1318	1	Gauge fuel
4	STC1319	1	Gauge water temperature
5	STC1321	1	Mask - printed
	STC1322	1	Mask - printed
	STC1323	1	Mask - printed
	STC1327	1	Mask - printed
6	STC1437	1	Case assembly - non SRS
	STC1440	1	Case assembly - SRS
7	STC1443	1	Illumination unit
	STC1442	1	Bulb
8	STC1332	1	Printed circuit - non SRS
	STC1335	1	Printed circuit - SRS
	STC1333	1	Printed circuit - non SRS
	STC1336	1	Printed circuit - SRS
	STC1337	1	Printed circuit - non SRS
	STC1338	1	Printed circuit - SRS
9	RTC6607	A/R	Bulb holder & bulb
	STC1339	1	Bulb holder & bulb
	STC1341	2	Bulb holder & bulb
10	STC1340	1	Bulb holder & bulb
11	STC1342	1	Bulb holder & bulb
12	STC1320	1	Cowl instrument

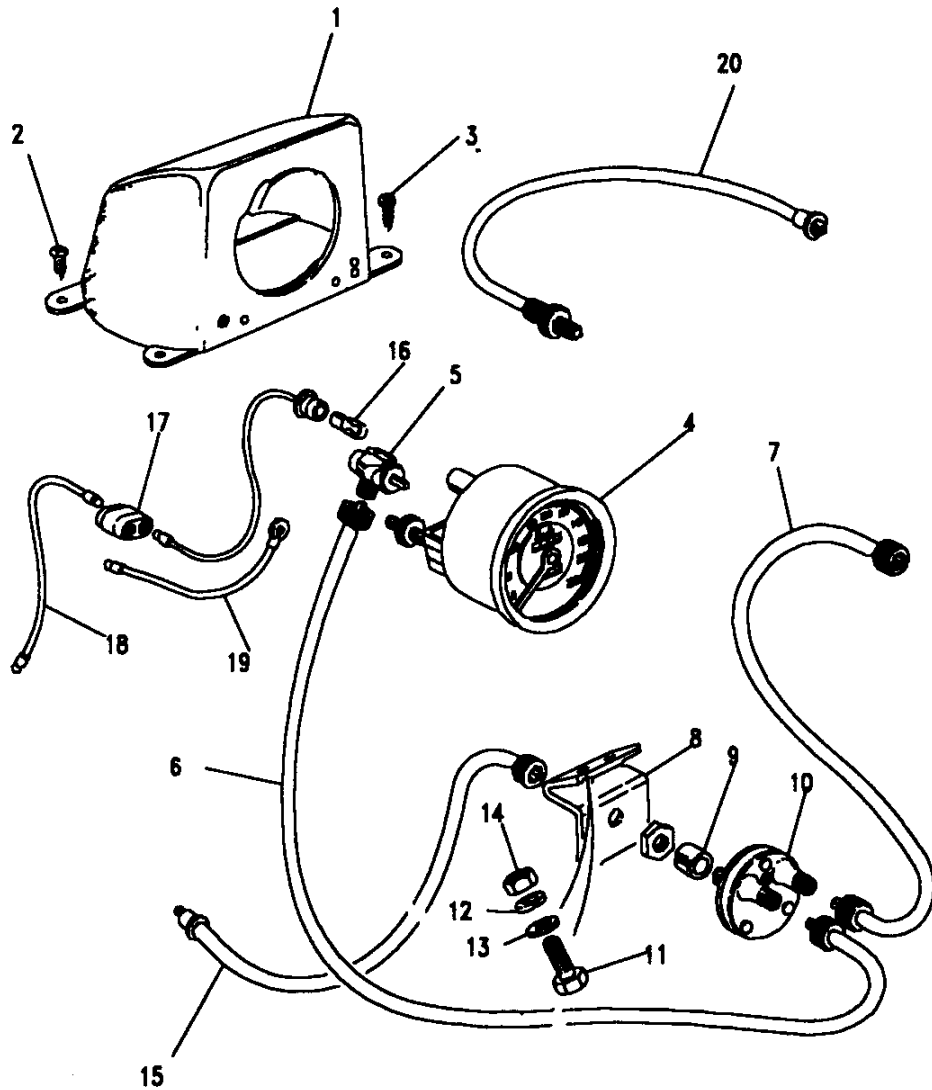


**Model** RANGE ROVER 1992 onwards  
**Page** BDMXIA5A

**ELECTRICAL - SPEEDOMETER - U.K. POLICE SPEC - UP TO LA647644**

III. Part No.	Description	Qty	Remarks
1	Binnacle speedometer	1	Note(1)
2	AB606051L Screw	2	
3	79231 Screw	2	
4	589281 Speedometer MPH	1	
	ZXC1055 Speedometer KPH	1	
5	ZXC9168 Speedometer angle drive	1	
6	589274 Cable speedometer	1	36" Long
7	ZXC9173 Cable speedometer	1	29" Long RH Stg
	ZXC9199 Cable speedometer	1	16" Long LH Stg
8	589286 Bracket mounting	1	
9	90508545 Spacer	1	
10	ZXC9328 Junction unit	1	
11	257017 Screw	2	
12	WM702001L Washer spring	2	
13	WC702101L Washer plain	2	
14	HN2005L Nut	2	
15	PRC6017 Cable speedometer	1	
18	232590 Bulb 12V 2.2W	1	
17	RTC603 Connector	1	
18	PRC2415 Link lead	1	)Note(1)
19	PRC2416 Earth lead	1	
20	90575323 Cable trip reset	1	

Note(1) Not serviced by LRP.Contact S.V.O. at Solihull





**Model** RANGE ROVER 1992 onwards  
**Page** BDMXIA5B

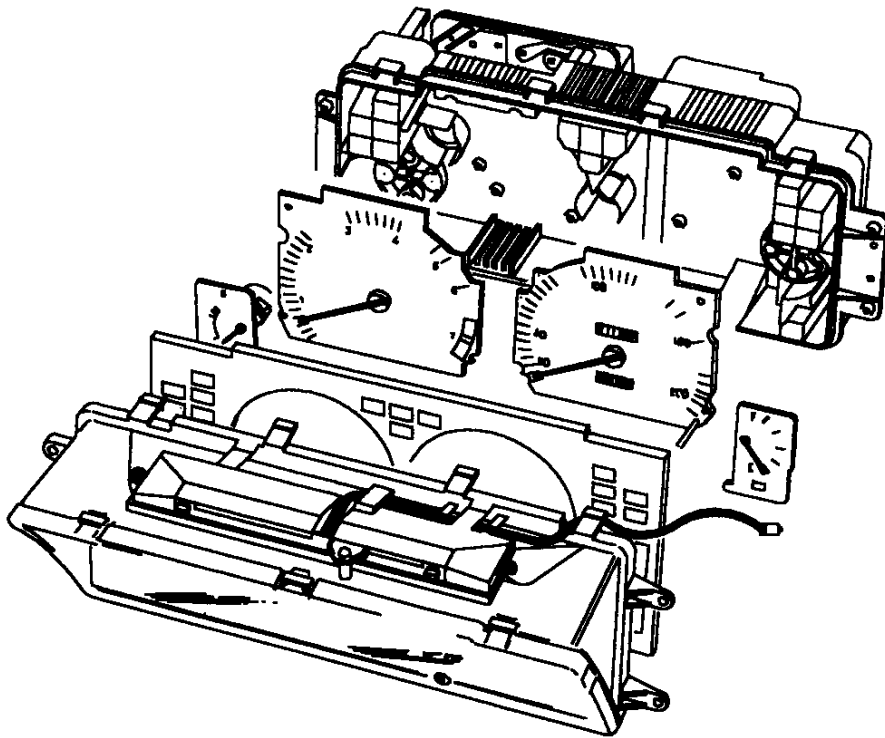
**ELECTRICAL - SPEEDOMETER - U.K. POLICE SPEC - FROM MA647645**

**III. Part No. Description Qty Remarks**

**Instrument pack with calibrated speedometer**

1	AMR3929	Instrument pack - non SRS	1
	AMR3930	Instrument pack - SRS	1

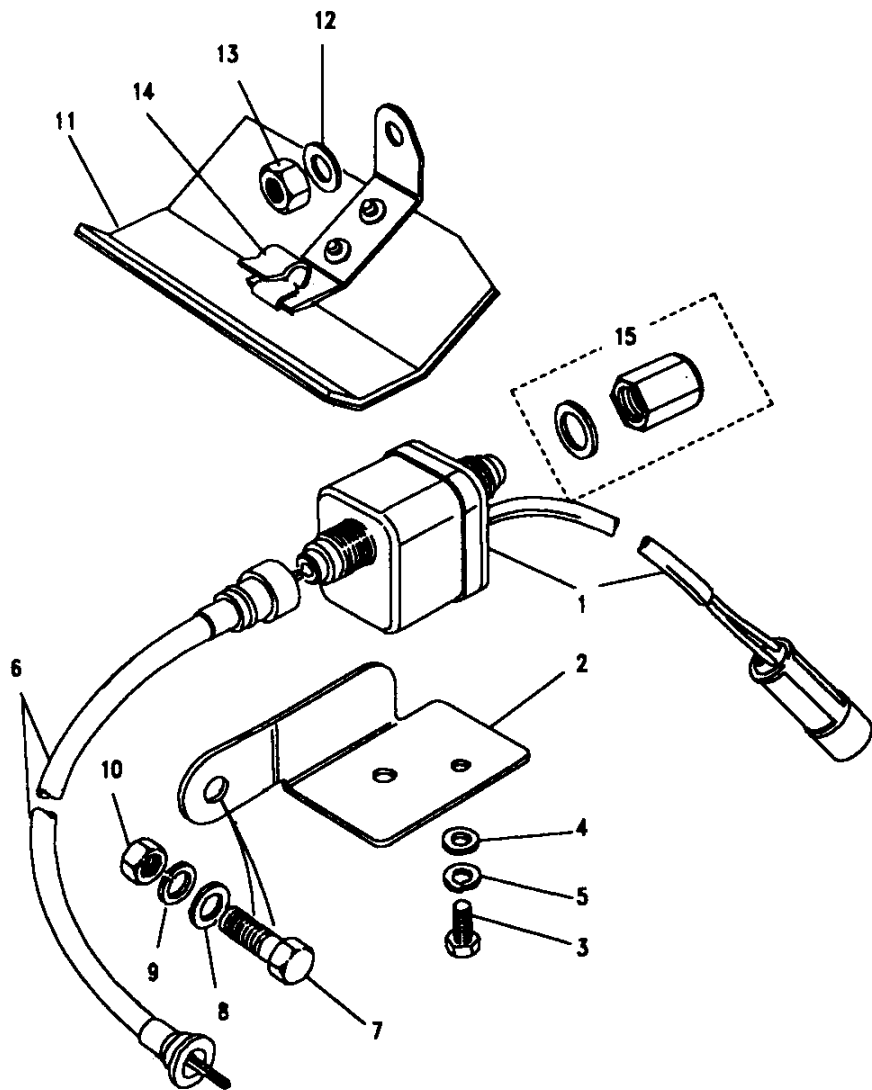
Note(1) For service parts see equivalent civilian instruments.



**Model** RANGE ROVER 1992 onwards  
**Page** BDMXIA4A

**ELECTRICAL - SPEEDO CABLE & TRANSDUCER - UP TO LA647644**

III. Part No.	Description	Qty	Remarks
1	AMR3386	1	Transducer
2	PRC6617	1	Bracket mounting
3	SE105101L	1	Screw
4	WL105001L	1	Washer spring
5	WF105001L	1	Washer plain
<b>Petrol &amp; RHS diesel</b>			
6	PRC7949	1	Cable speedometer
<b>LHS diesel only</b>			
	PRC6018	1	Cable speedometer
<b>All variants</b>			
7	BH108201L	1	Screw
8	WA108051L	1	Washer plain
9	WL108001L	1	Washer spring
10	NH108041L	1	Nut
11	NTC8115	1	Heatshield assembly
12	WA110061L	1	Washer plain
13	FN110041L	1	Nut
14	NTC8994	1	Clip cable
15	STC699	1	Kit end fittings



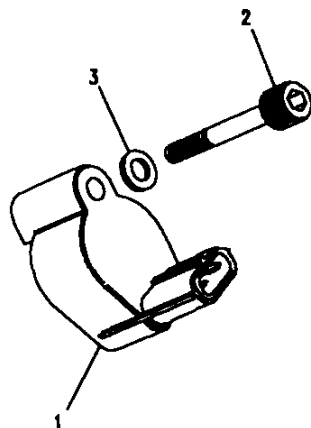
**Model** RANGE ROVER 1992 onwards

**Page** BDMXIA4B

**ELECTRICAL - SPEED TRANSDUCER - FROM MA847645**

III. Part No.	Description	Qty	Remarks
---------------	-------------	-----	---------

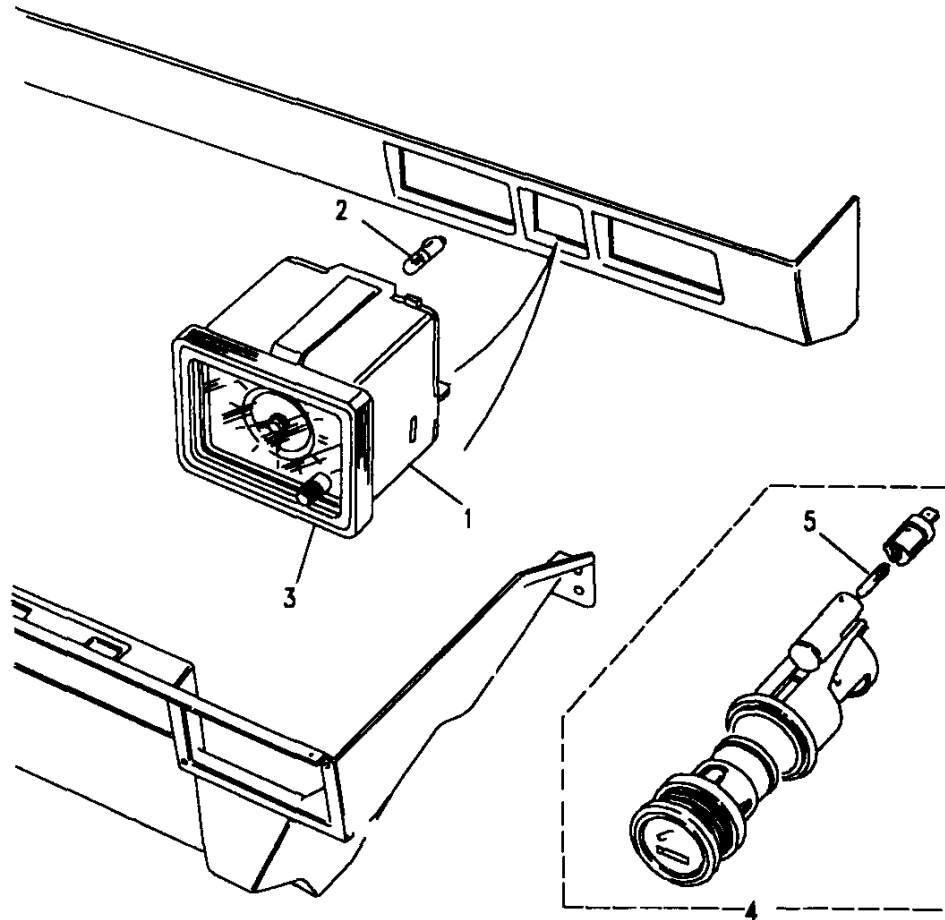
<b>Transducer fitted to transfer box</b>			
1	AMR1253	1	Sensor assembly
2	SS106201	1	Screw - transducer
3	WA106041L	1	Washer - transducer



**Model** RANGE ROVER 1992 onwards  
**Page** BDMXIA3A

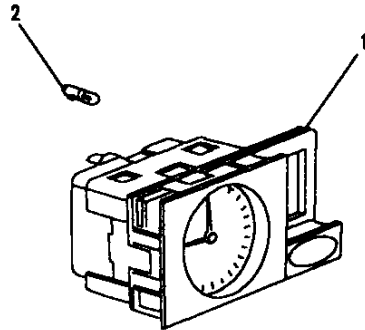
**ELECTRICAL - CLOCK & CIGAR LIGHTER - UP TO LA647644**

III. Part No.	Description	Qty	Remarks
1 PRC4370	Clock	1	
2 503352	Bulb 12V 2W	1	
3 PRC4324	Bezel	1	
4 DRC8584	Cigar lighter	1	Up to JA624755
PRC9410	Cigar lighter	1	From KA624756
5 RTC3635	Bulb 12V 1.2W	1	



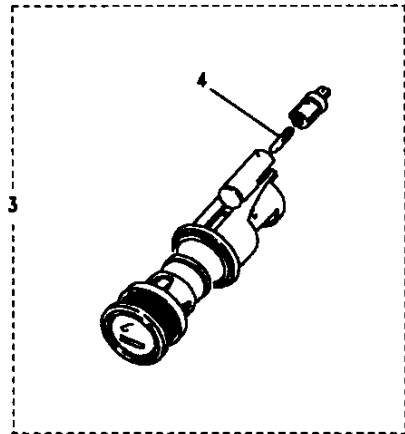
**Model** RANGE ROVER 1992 onwards  
**Page** BDMXIA3D

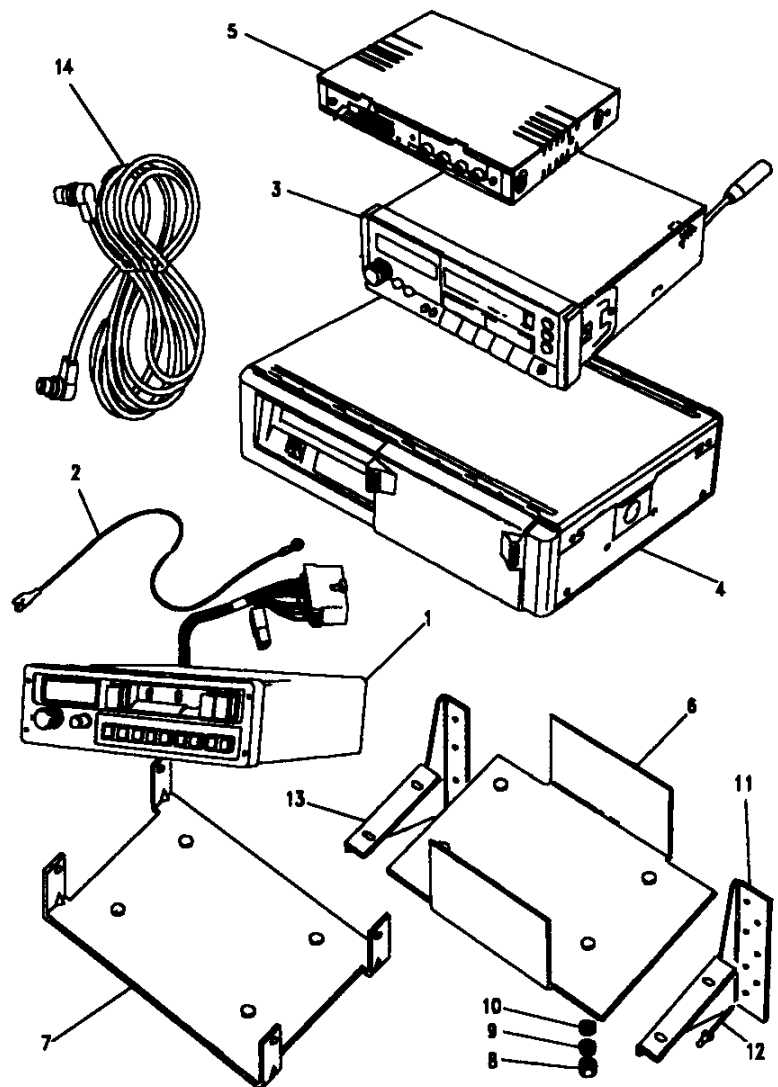
**ELECTRICAL - CLOCK & CIGAR LIGHTER - FROM MA647645**



III. Part No.	Description	Qty	Remarks
1 STC1802	Clock assy w/o hazard sw.	1	
2 STC1984	Bulb and holder	1	
3 PRC9410	Cigar lighter	2	
4 RTC3635	Bulb 12V 1.2W	2	

Note(1) Hazard switch is shown with auxiliary switches.  
 Note(2) Land-Rover logo is not a servicable item.



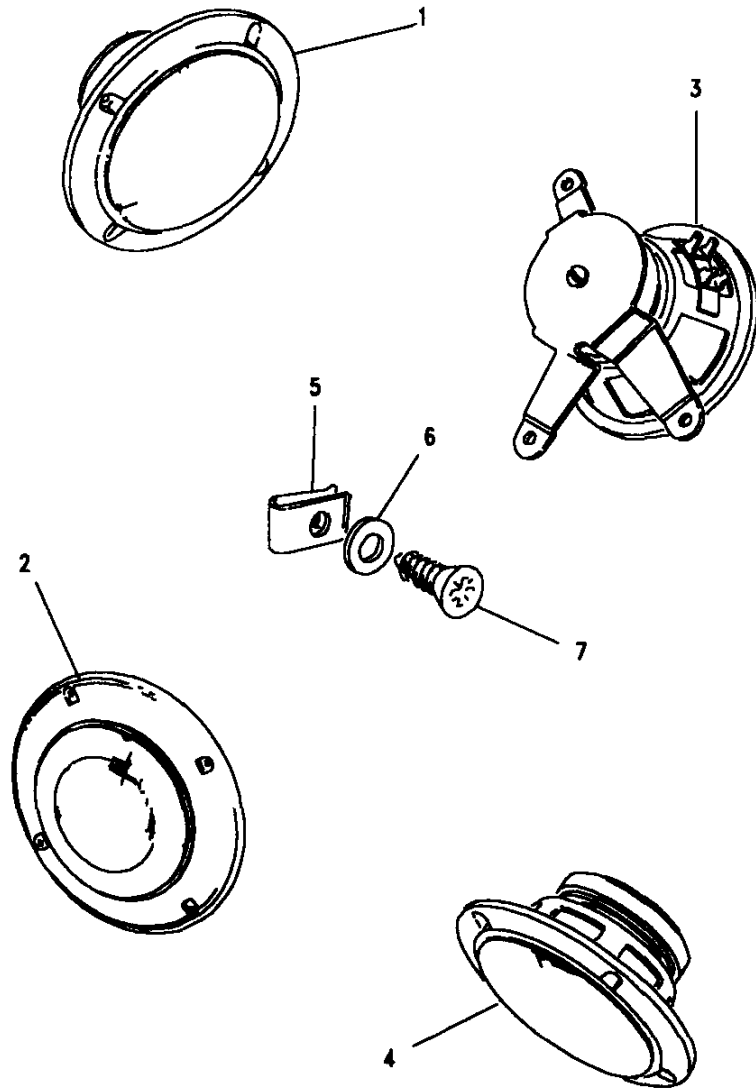


**Model** RANGE ROVER 1992 onwards  
**Page** BDMXKA1A

**ELECTRICAL - RADIO CASSETTE & C.D. - UP TO JA624755**

III. Part No.	Description	Qty	Remarks
<b>Radio cassette</b>			
1 PRC8732	Radio cassette	1	
2 PRC9234	Lead earth	1	
<b>With CD player</b>			
2 PRC9461	Lead earth - amplifier	1	
3 PRC8733	Radio cassette	1	
4 PRC9033	C.D.Autochanger	1	
5 PRC8738	C.D Amplifier	1	
<b>CD mountings</b>			
6 MXC9119	Plate mounting	1	Japan only
7 MXC9616	Plate mounting	1	
8 NH106041L	Nut	4	
9 WA106041L	Washer	4	
10 WL106001L	Washer spring	4	
11 MXC9614	Bracket mounting	1	
12 78248	Rivet	1	A/R
13 MXC9615	Bracket mounting	1	
14 PRC9533	Cable assembly data link	1	

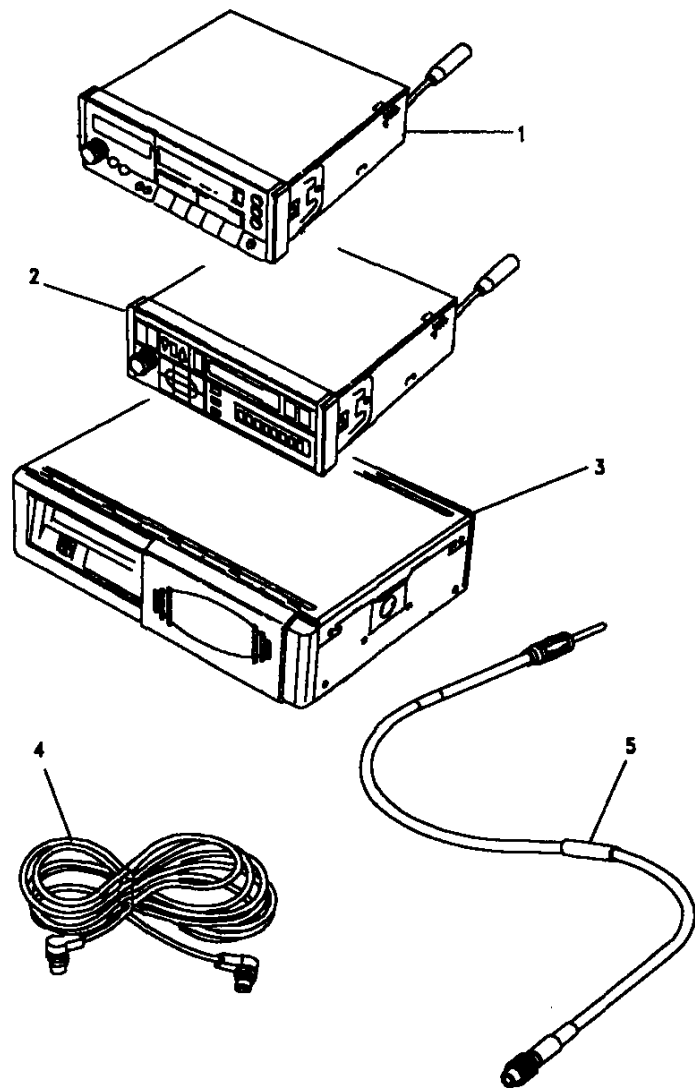
Note(1) For speakers see page 548



**Model** RANGE ROVER 1992 onwards  
**Page** BDMXKA2A

**ELECTRICAL - SPEAKERS - UP TO JA624755**

III. Part No.	Description	Qty	Remarks
<b>Basic vehicles</b>			
1 PRC8550RUN	Speaker front door	2	Full range
<b>Vogue SE only.</b>			
1 PRC8552RUN	Speaker front door	2	High range
2 MXC3352RUN	Grille	2	
3 PRC8551RUN	Speaker front door	2	Low range
<b>In headlining</b>			
4 PRC8549RUN	Speaker Headlining	2	
<b>Speaker fixings</b>			
5 AK606061L	Nut	A/R	Door speakers
AK608191	Nut	A/R	Roof speakers
6 WA105001L	Washer	A/R	
7 AB608074	Screw	A/R	Door speakers
AB608084	Screw	A/R	Roof speakers



**Model** RANGE ROVER 1992 onwards

**Page** BDMXKA3A

**ELECTRICAL - RADIO CASS & C.D. - FROM KA624756 UP TO LA647644**

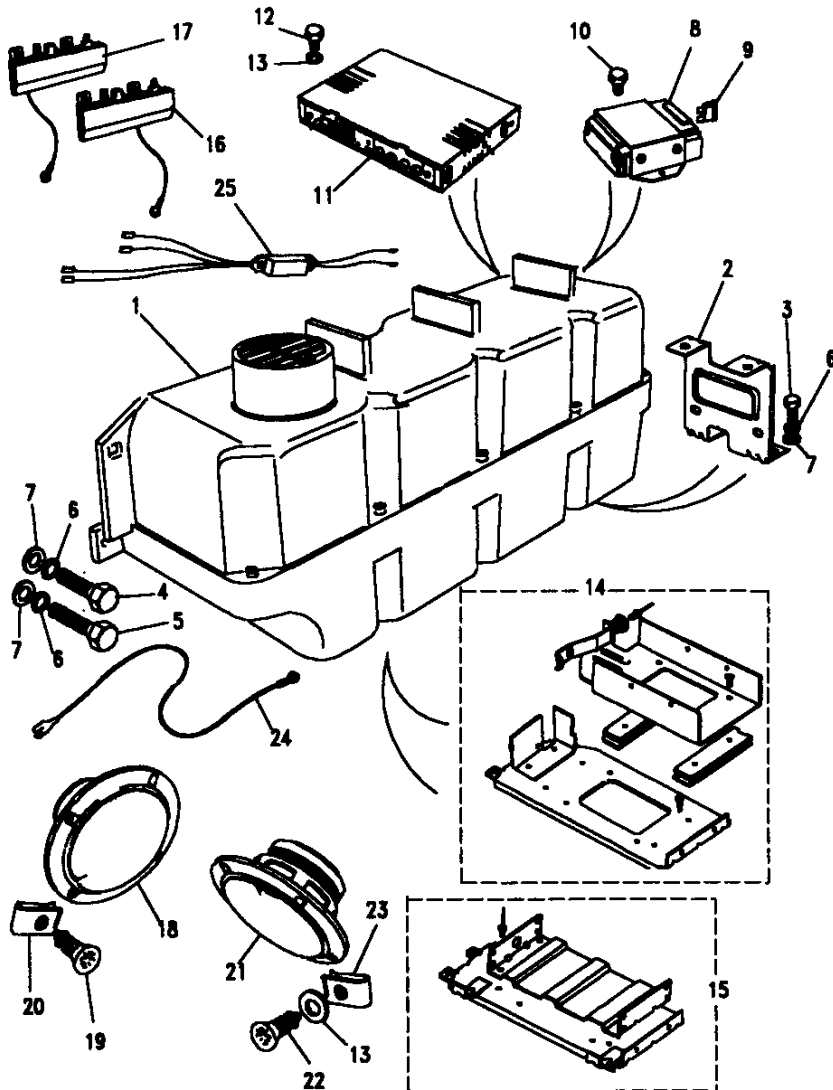
III. Part No.	Description	Qty	Remarks
<b>With CD system</b>			
1 PRC8920	Radio Cassette	1	Note(1&3)
<b>Without CD system</b>			
2 PRC9581	Radio Cassette	1	Note(2&3)
<b>CD Autochanger</b>			
3 PRC9033	CD Autochanger	1	Note(4)
STC1625	Magazine CD autochanger	1	
<b>Clarion System</b>			
4 AMR2062	Data link lead	1	
<b>Pioneer System - Japan only</b>			
4 AMR2063	Data link lead	1	
<b>All variants</b>			
5 AMR1844	Lead antenna	1	
AMR1843	Lead antenna AM/FM	1	

- Note(1) Standard fitment for Vogue SE and Vogue LSE.
- Note(2) Standard fitment for Vogue.
- Note(3) Radio installations are NOT interchangeable.
- Note(4) Option for vehicles fitted with PRC8920 only.
- Note(5) For speakers see page 550 - 551



**Model** RANGE ROVER 1992 onwards  
**Page** BDMXKA4A

**ELECTRICAL - SPEAKERS & AMP'S - FROM KA624756 UP TO LA647644**



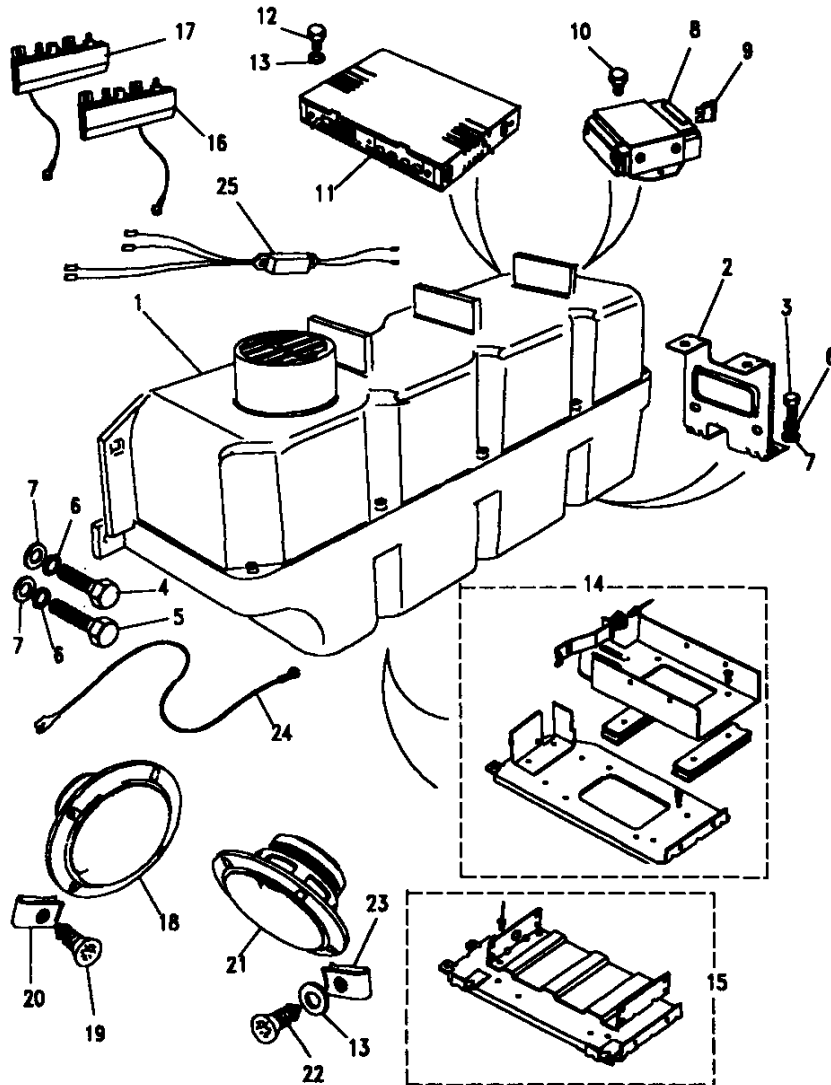
III. Part No.	Description	Qty	Remarks
1	AMR2001 AMR3455	1	Up to KA644878 From KA644879
2	AMR1071	1	
3	FS108161L	4	
4	SH108401L	2	
5	SH108501	2	
6	WL108001L	8	
7	WC108051L	8	
8	AMR2002	1	
9	AMR2244 RTC4498	1	Japan only
10	SH104121L	2	
11	PRC8738	1	
12	SH104081L	2	
13	WA104001L	2	
<b>Pioneer system only</b>			
14	AMR2100	1	Japan only
<b>Clarion system only</b>			
15	AMR2099	1	
<b>All variants</b>			
16	PRC9035	1	
17	PRC9034	1	Japan only

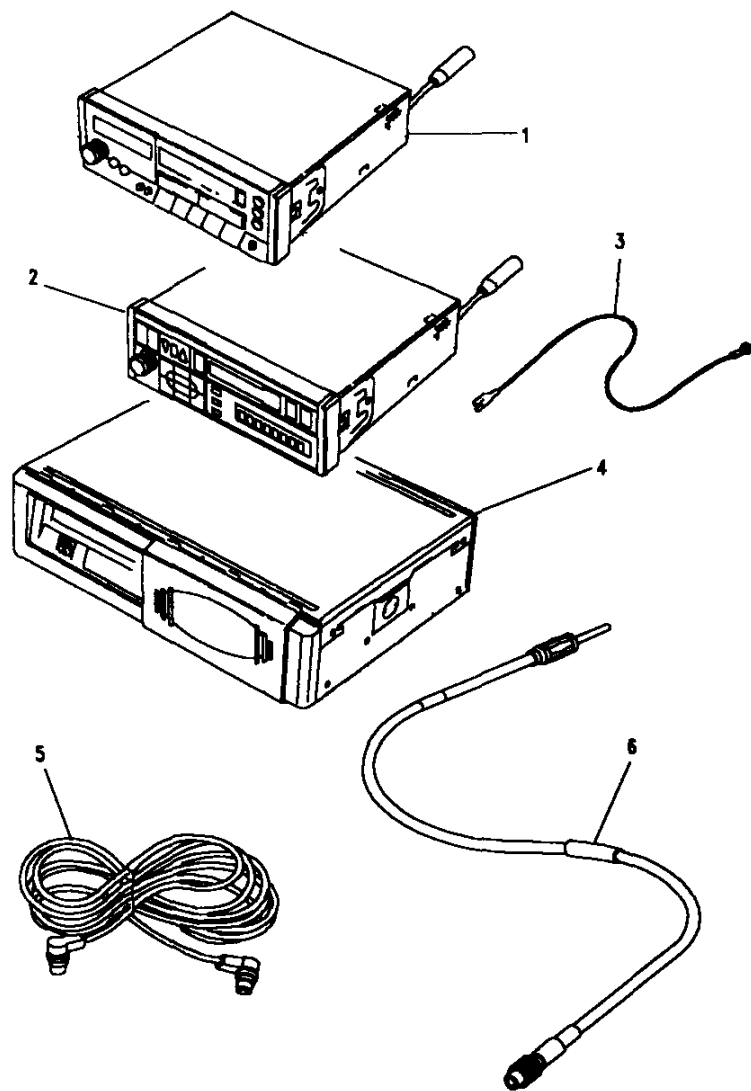
**Model** RANGE ROVER 1992 onwards  
**Page** BDMXKA4A

**ELECTRICAL - SPEAKERS & AMP'S - FROM KA624756 UP TO LA647644**

III. Part No.	Description	Qty	Remarks
18	PRC9145RUN	2	Note(1)
	PRC9345RUN	2	Note(2)
	AMR2119	2	5.5"
	STC1609	2	
19	MTC9424	4	Screw
20	AAU8111	4	Nut
21	PRC9143RUN	2	Speaker - Headlining
22	AB608054L	4	Screw
23	AK608045	4	Spring nut
24	AMR2204	1	Earth lead
25	AMR2120	2	Crossover unit front door

Note(1) Fitted to 2 door and base level vehicles only.  
 Note(2) Fitted to Vogue, Vogue SE/LSE and vehicles with CD option.





**Model** RANGE ROVER 1992 onwards  
**Page** BDMXKA3B

**ELECTRICAL - RADIO CASSETTE & C.D. - FROM MA647645**

**III. Part No. Description Qty Remarks**

**Level 1 system - Radio preparation only**

**Level 2 system - Clarion with RDS EON - standard on Vogue**

1 AMR2385 Radio Cassette 1

**Level 3 system - Clarion with RDS EON PTY & CD - Vogue SE & LSE**

AMR2384 Radio Cassette 1

**Japan system - Pioneer with CD**

2 AMR3043 Radio Cassette 1

**Earth lead**

3 AMR3463 Lead earth 1

**CD autochanger**

4	PRC9033	CD autochanger	1	
	STC1625	Magazine CD autochanger	1	
	SE105101	Screw M4	4	
	SE104081L	Screw M5	4	
	AMR3053	CD autochanger	1	Japan
	STC1644	Magazine CD autochanger	1	Japan

**CD data lead**

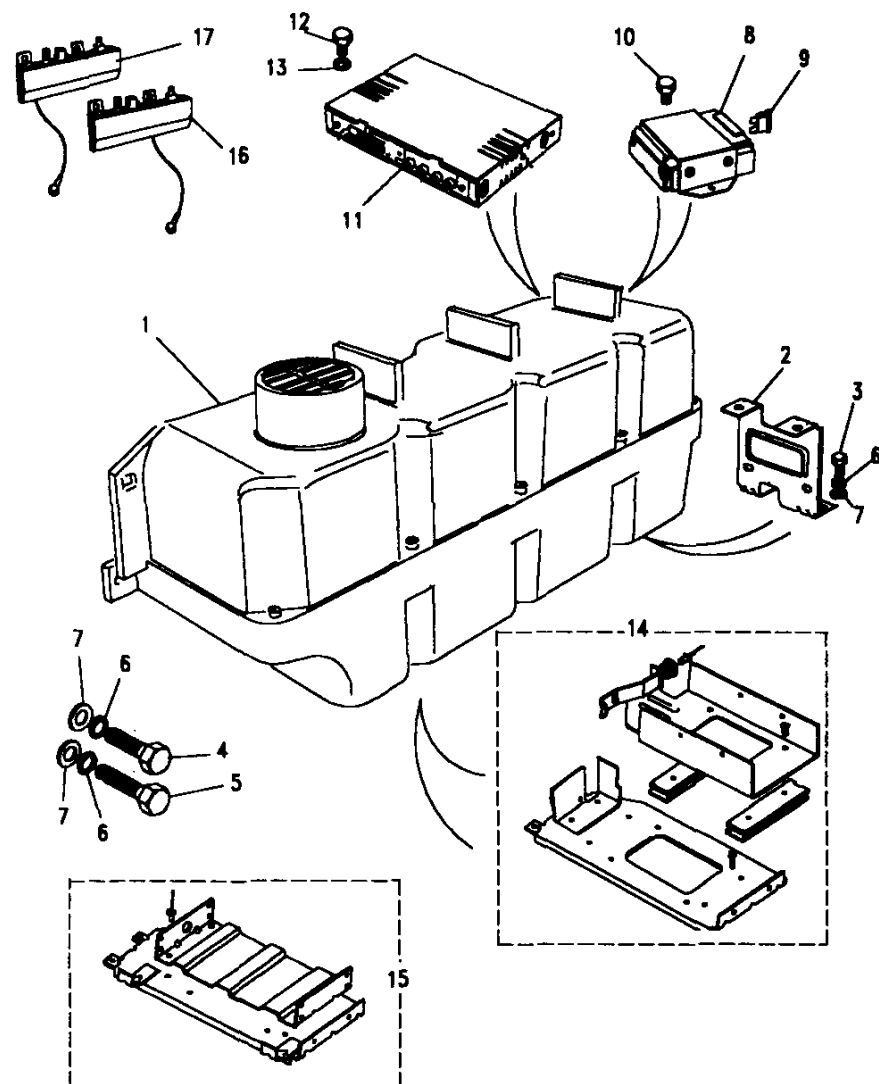
5	AMR2062	CD data lead	1	
	AMR3097	CD data lead	1	Japan

**Levels 1 & 2**

6 AMR3493 Lead antenna 1

**Level 3, CD option & Japan**

	AMR2652	Lead antenna FM ISO	1	LH
	PRC9464	Lead antenna FM/AM ISO	1	RH



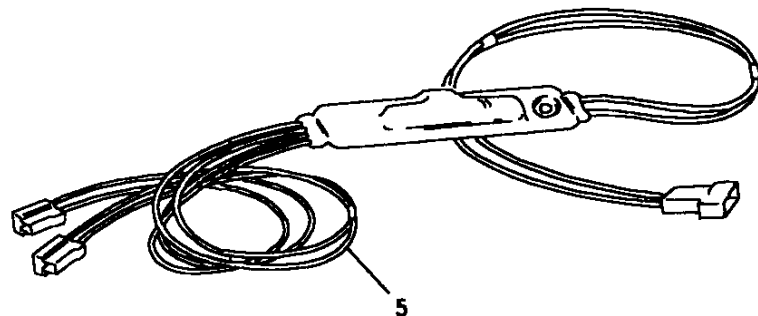
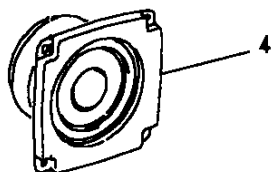
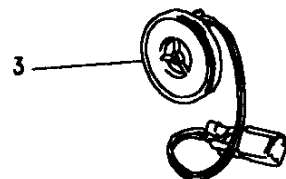
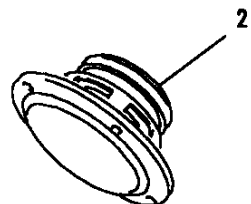
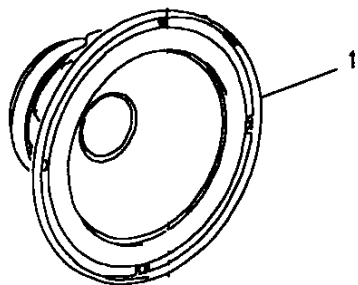
Model RANGE ROVER 1992 onwards

Page BDMXKA4B

**ELECTRICAL - SPEAKERS & AMPLIFIERS - FROM MA647645**

III. Part No.	Description	Qty	Remarks
1	AMR3455	1	Box subwoofer
2	AMR1071	2	Bracket support
3	FS108161L	4	Screw M8 x 16
4	SH108401L	2	Screw M8 x 40
5	SH108501	2	Screw M8 x 50
6	WL108001L	8	Washer spring
7	WC108051L	8	Washer plain
8	AMR2002	1	Amplifier - subwoofer
9	RTC4498	1	Fuse 7.5A
10	SH104121L	2	Screw M4 x 12
11	AMR2872	1	Amplifier - speakers
12	SH104081L	2	Screw M4 x 8
13	WA104001L	2	Washer plain
<b>Pioneer system only</b>			
14	AMR3028	1	Bracket CD mounting
<b>Clarion system only</b>			
15	AMR3045	1	Bracket CD mounting
	GG108251L	4	Screw M8
	WL108001	4	Washer spring
	WL108051	4	Washer plain
<b>All variants</b>			
16	PRC9034	1	Amplifier FM antenna
17	PRC9035	1	Amplifier AM/FM antenna

Note(1) Fitted to levels 2, 3 & CD option systems only.  
 Note(2) Not fitted to Japan spec. systems.  
 Note(3) Fitted to level 3, CD option & Japan systems only.



**Model** RANGE ROVER 1992 onwards  
**Page** BDMXKA4C

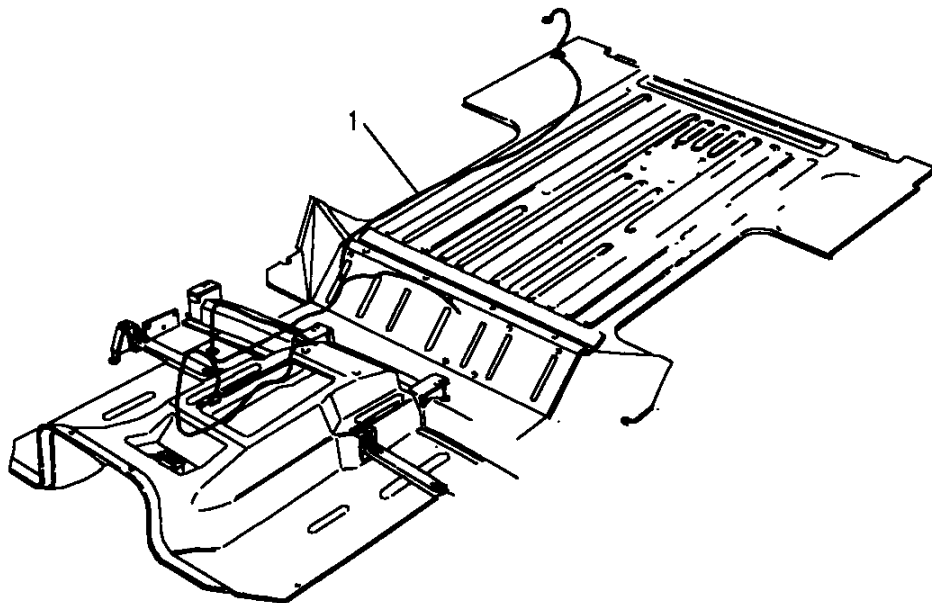
**ELECTRICAL - SPEAKERS & AMPLIFIERS - FROM MA647645**

III. Part No.	Description	Qty	Remarks
<b>Level 1 system</b>			
1 AMR2134	Speaker front door - 6"	2	
2 AMR2159LNF	Speaker - headlining	2	Twin cone
<b>Level 2 system</b>			
1 AMR2134	Speaker front door - 6"	2	
2 PRC9143LNF	Speaker - headlining	2	Coaxial
3 AMR2876	Tweeter - A post	1	Note(1)
<b>Level 3, CD option &amp; Japan systems</b>			
1 AMR2134	Speaker front door - 6"	2	
2 PRC9143LNF	Speaker - headlining	2	Coaxial
3 AMR2876	Tweeter - A post	2	Note(1)
4 PRC8045	Speaker front door - 3"	2	
5 AMR2618	Crossover unit front door	2	

Note(1) Tweeter also available with A post finisher, see interior trim.

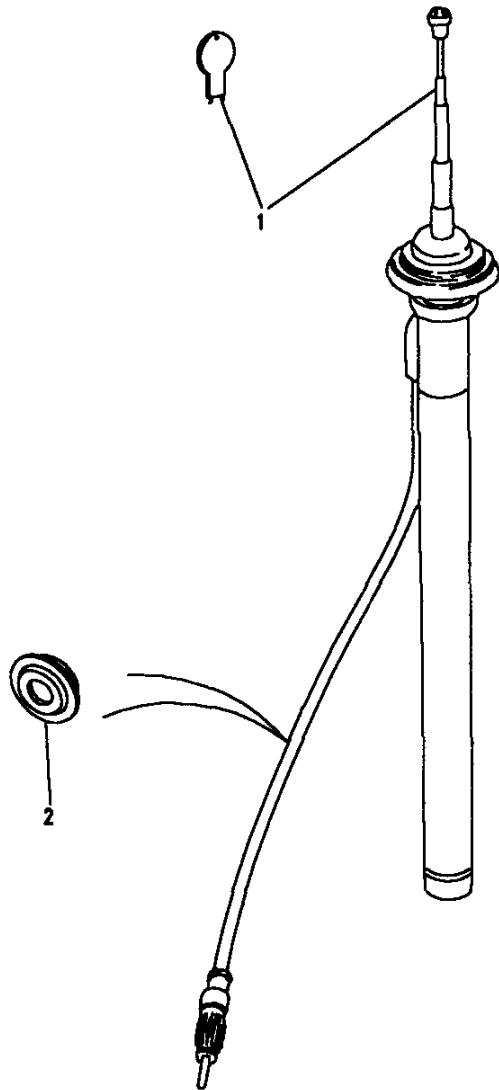
**Model** RANGE ROVER 1992 onwards  
**Page** BDMXKA5A

**ELECTRICAL - HARNESS - RADIO TO AMPLIFIER**



III. Part No.	Description	Qty	Remarks
<b>100" wheelbase</b> 1 AMR2371	Harness assembly	1	Up to LA647644 Note(1)
<b>108" wheelbase</b> AMR2374	Harness assembly	1	Up to LA647644 Note(1)
<b>100" wheelbase - Japan</b> AMR2370	Harness assembly	1	Up to KA633635
AMR2752	Harness assembly	1	From KA633636 up to LA647644
AMR3533	Harness assembly	1	From MA647645
<b>108" wheelbase - Japan</b> AMR2373	Harness assembly	1	Up to KA632912
AMR2753	Harness assembly	1	From KA632913 up to LA647644
AMR3535	Harness assembly	1	From MA647645

Note(1) From MA647645 - underfloor harness required for NAS & Japan only.



**Model** RANGE ROVER 1992 onwards  
**Page** BDMXKA6A

**ELECTRICAL - ANTENNA - WING MOUNTED**

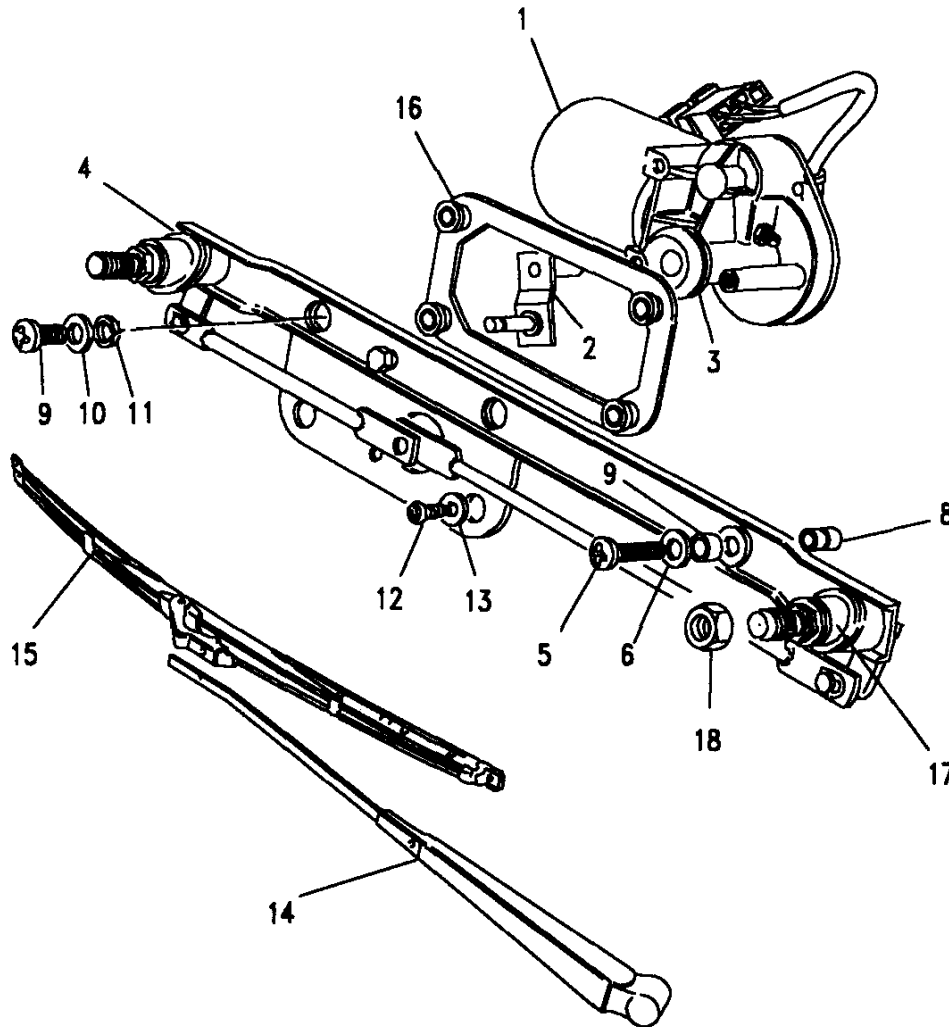
III. Part No.	Description	Qty	Remarks
<b>2 Door only</b>			
<b>Fitted from KA642703</b>			
1	PRC4327	1	Antenna
2	233243	1	Grommet

**Model** RANGE ROVER 1992 onwards  
**Page** BDMXMA1A

**ELECTRICAL - WINDSCREEN WIPERS - UP TO LA647644**

III. Part No.	Description	Qty	Remarks
1	STC495 Motor wiper	1	
2	Rotary link	1	Note(1)
3	STC1308 Seal	1	
4	STC1304 Link set	1	RHS
	STC1305 Link set	1	LHS
5	SE604101L Screw	1	
6	3821 Washer plain	1	
7	PRC1352 Spacer	1	
8	79240 Nutsert	1	
9	FS106167L Screw	1	
10	WA106041L Washer plain	1	
11	WL106001L Washer spring	1	
12	AB612081L Screw	4	
13	WJ106001L Washer spring	4	
14	PRC6826 Arm wiper	2	RHS
	PRC6839 Arm wiper	2	LHS
15	PRC9841 Blade wiper	2	
16	PRC7781 Seal	1	
17	607107 Bush	2	
18	FN108041L Nut	2	

Note(1) No longer serviced separately - now supplied as part of link set





**Model** RANGE ROVER 1992 onwards  
**Page** BDMXMA1B

**ELECTRICAL - WINDSCREEN WIPERS - FROM MA647645**

**Ill. Part No. Description Qty Remarks**

**Wiper motor and link set assembly**

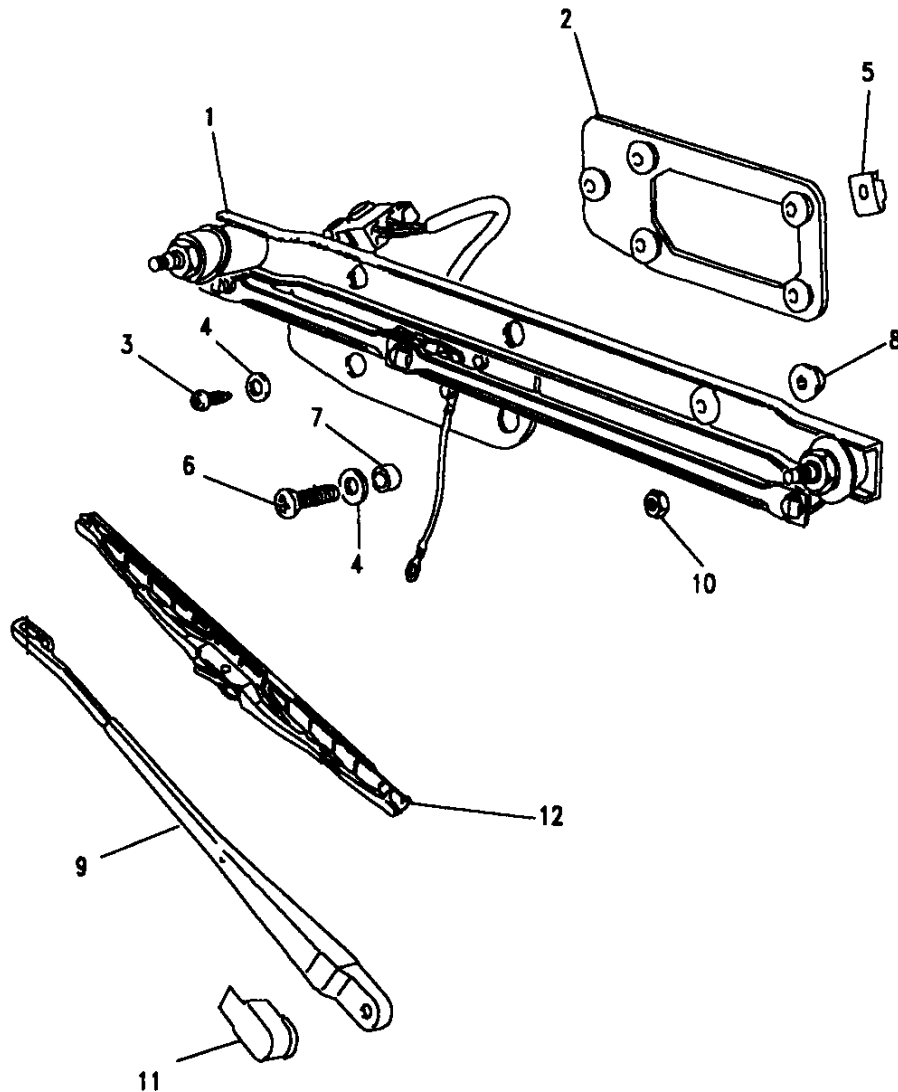
1	AMR3870	Wiper assembly front	1	RHS
	AMR1517	Wiper assembly front	1	LHS

**Fixings wiper assembly**

2	AMR1882	Seal rubber	1	
3	79131	Screw	5	
4	WJ106001	Washer plain	5	
5	AK612014	Nut spring	5	
4	SE604101	Screw	1	
5	4598	Washer	1	
6	PRC1352	Spacer	1	
7	79240	Nut captive	1	
8	FM106041	Nut flanged M6	1	

**Wiper arm and blade**

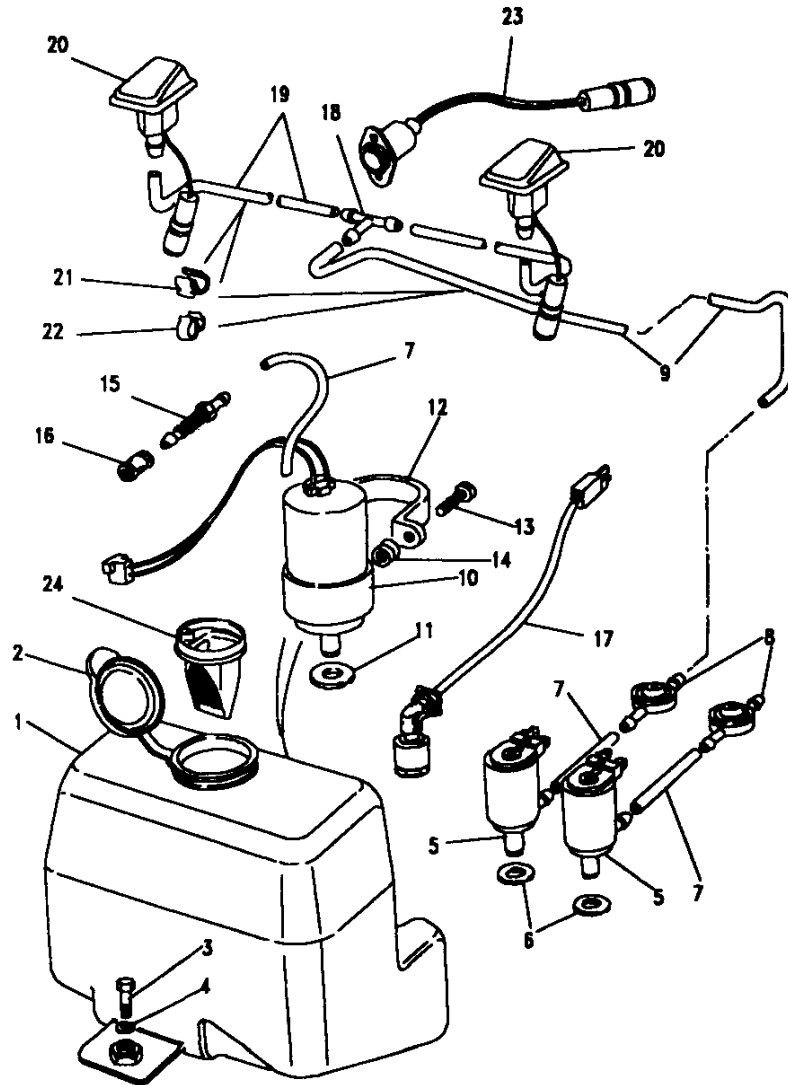
9	PRC8826	Arm wiper	2	RHS
	PRC8839	Arm wiper	2	LHS
10	FN108041L	Nut wiper arm	2	
11	607107	Bush	2	
12	PRC9841	Blade wiper	2	

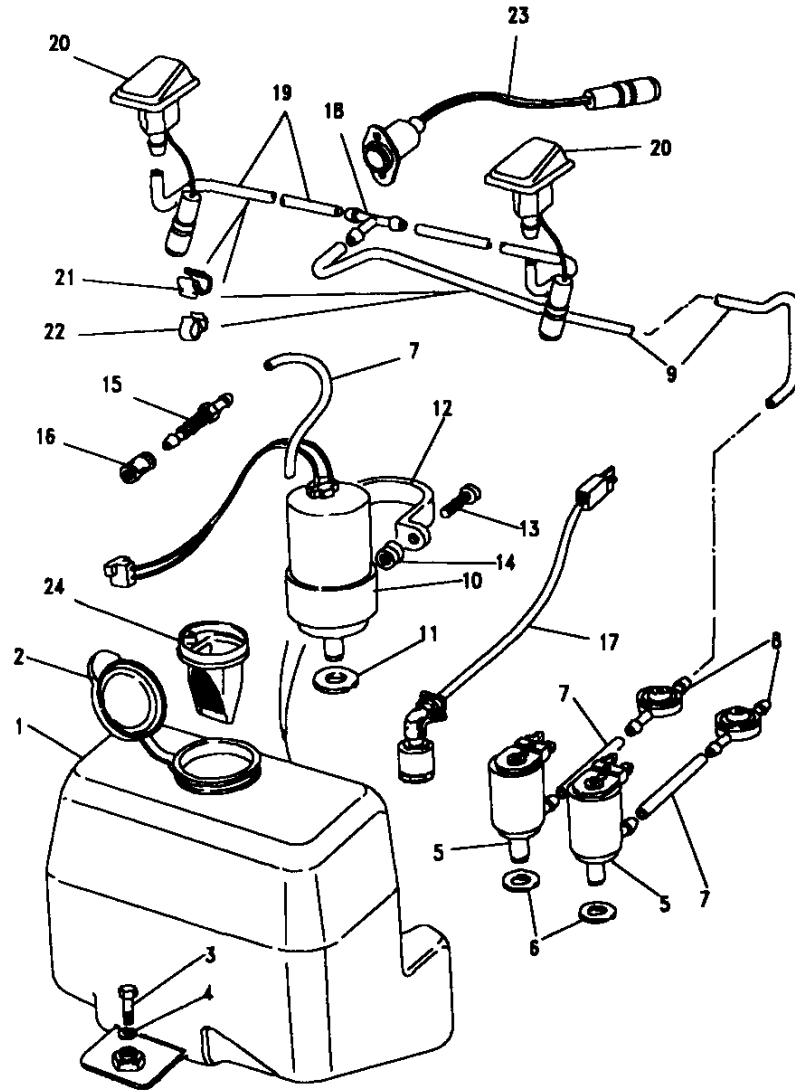


**Model** RANGE ROVER 1992 onwards  
**Page** BDMXMC1A

**ELECTRICAL - WINDSCREEN & HEADLAMP WASH**

III. Part No.	Description	Qty	Remarks
<b>Screenwash only</b>			
AMR201	Reservoir	1	Up to KA640177
AMR3283	Reservoir	1	From KA640178 up to LA647645
AMR3090	Reservoir	1	From MA647645
<b>Vehicles with headlamp power-wash</b>			
1 PRC7457	Reservoir	1	Up to JA624755
AMR2020	Reservoir	1	From KA624756 up to KA640177
AMR3252	Reservoir	1	From KA640178 up to LA647645
AMR3089	Reservoir	1	From MA647645
<b>All variants</b>			
2 RTC3961	Cap	1	
3 SH604061L	Screw	3	
4 WF600041L	Washer	3	
5 ADU3905	Pump rear screen	1	Up to KA640177
STC1453	Pump rear screen	1	From KA640178
PRC7045	Pump front screen	1	Up to KA640177
STC1454	Pump front screen	1	From KA640178
6 RTC3959	Gasket	2	
7 RTC3850	Tubing	2	
8 ACU5037	Non return valve rear	1	
PRC6857	Non return valve front	1	





**Model** RANGE ROVER 1992 onwards  
**Page** BDMXMC1A

**ELECTRICAL - WINDSCREEN & HEADLAMP WASH**

III. Part No.	Description	Qty	Remarks
9	PRC5652 Tubing	1	
10	AFU4146 Pump headlamp wash	1	
11	ADU6418L Gasket	1	
12	STC1657 Clamp	1	
13	RTC3957 Screw	1	
14	RTC3958 Nut	1	
15	RTC4614 Connector	1	
16	RTC4779 Rawlnut	1	
17	PRC5440 Sensor low fluid	1	
18	PRC6855 Tee piece	1	
19	PRC5652 Tubing	1	
20	PRC6799 Jet assembly heated	2	Up to JA624755
	AMR2400 Jet assembly heated	2	From KA624756
	RTC6367 Jet assembly unheated	2	
	PRC7331 Retainer	2	
21	MWC2552 Clip	A/R	
22	PRC6969 Clip	5	
23	PRC6895 Thermostat air temp.	1	Note(1)
24	STC206 Filter	1	

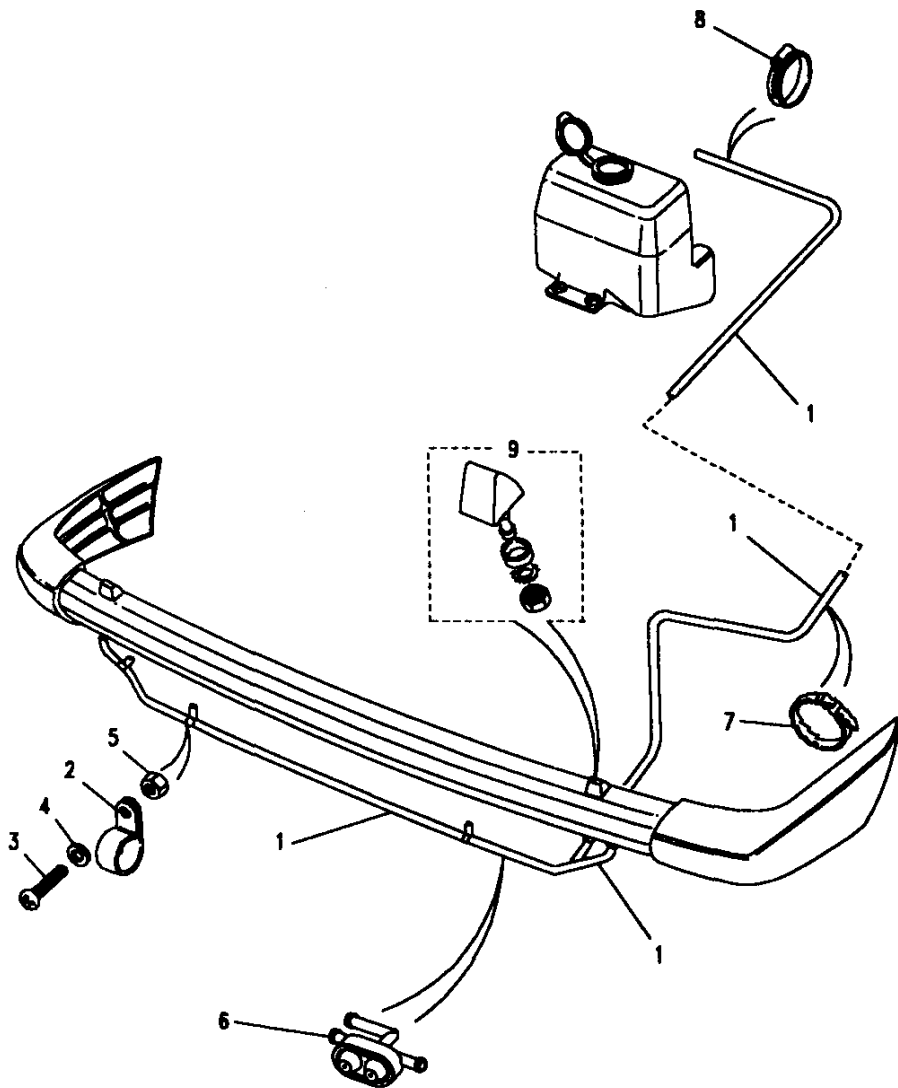
Note(1) Fitted in headlamp panel.

**Model** RANGE ROVER 1992 onwards  
**Page** BDMXMG1A

**ELECTRICAL - HEADLAMP POWER WASH**

III. Part No.	Description	Qty	Remarks
1	RTC4848	1	Note(1)
2	C393771L	1	
3	SE105165L	1	
4	WA105001L	1	
5	NH105041L	1	
6	DCP6656	1	
7	UKC6684	2	
8	CJ600144	6	
9	PRC4615	2	Up to LA647644
	AMR3503	2	From MA647645

Note(1) RTC4848 is supplied in 5 metre rolls.

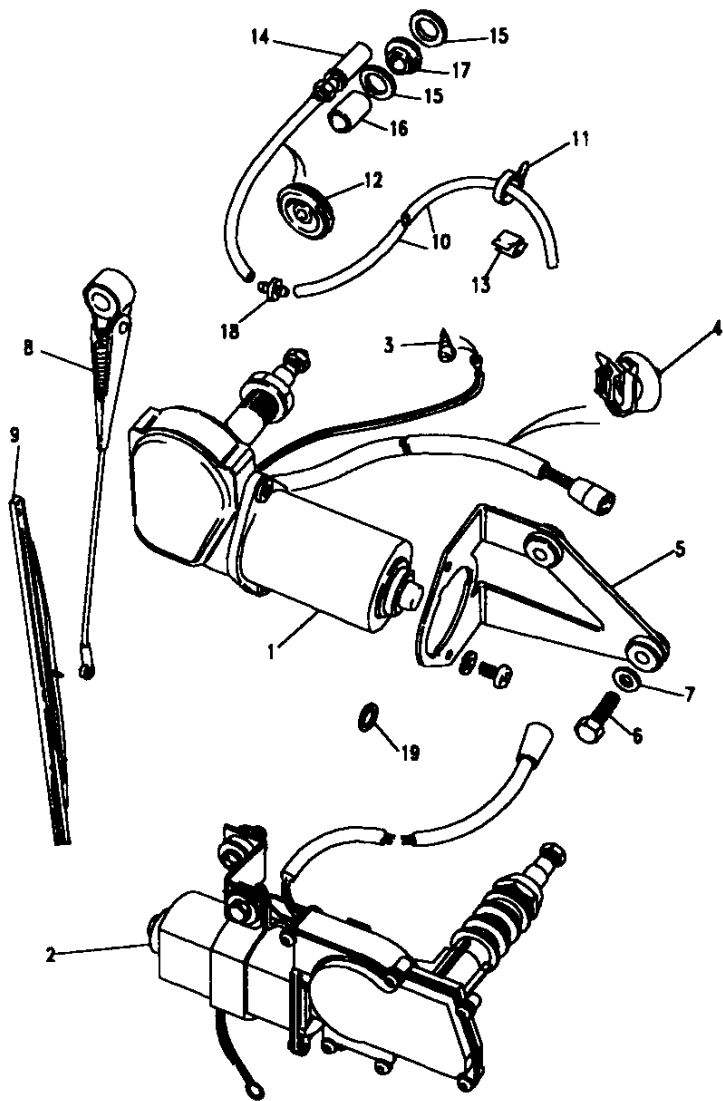


**Model** RANGE ROVER 1992 onwards  
**Page** BDMXMI1A

**ELECTRICAL - REAR SCREEN WIPER**

Ill. Part No.	Description	Qty	Remarks
<b>RHS</b>			
1 STC1385	Motor wiper rear	1	Up to JA618150
2 AMR1024	Motor wiper rear	1	From JA618151
<b>LHS</b>			
1 STC1386	Motor wiper rear	1	Up to JA618150
2 AMR1025	Motor wiper rear	1	From JA618151
<b>All variants</b>			
3 SE105101L	Screw	1	
4 AFU1090L	Clip cable	3	
5 PRC8044	Bracket support	1	
6 FS106201L	Screw	2	
7 WA106041L	Washer	2	
8 PRC8222	Arm wiper	1	RHS
PRC8223	Arm wiper	1	LHS
9 PRC9841	Blade wiper	1	Up to KA644141
AMR3301	Blade wiper	1	From KA644142
PRC8559	Blade wiper	1	Germany only
10 RTC3650	Tubing	1	
11 RTC222	Cleat	1	
12 PRC9052	Grommet	1	Up to JA618150
AMR1027	Grommet	1	From JA618151
13 369092	Clip	2	Note(1)
14 PRC2438	Jet	1	
15 4878	Washer	2	
16 500446	Sleeve rubber	1	
17 393400	Bush rubber	1	
18 RTC1698	Connector	1	
19 PRC9904	Washer	1	

Note(1) Not required from KA625000, when weld tags were introduced.

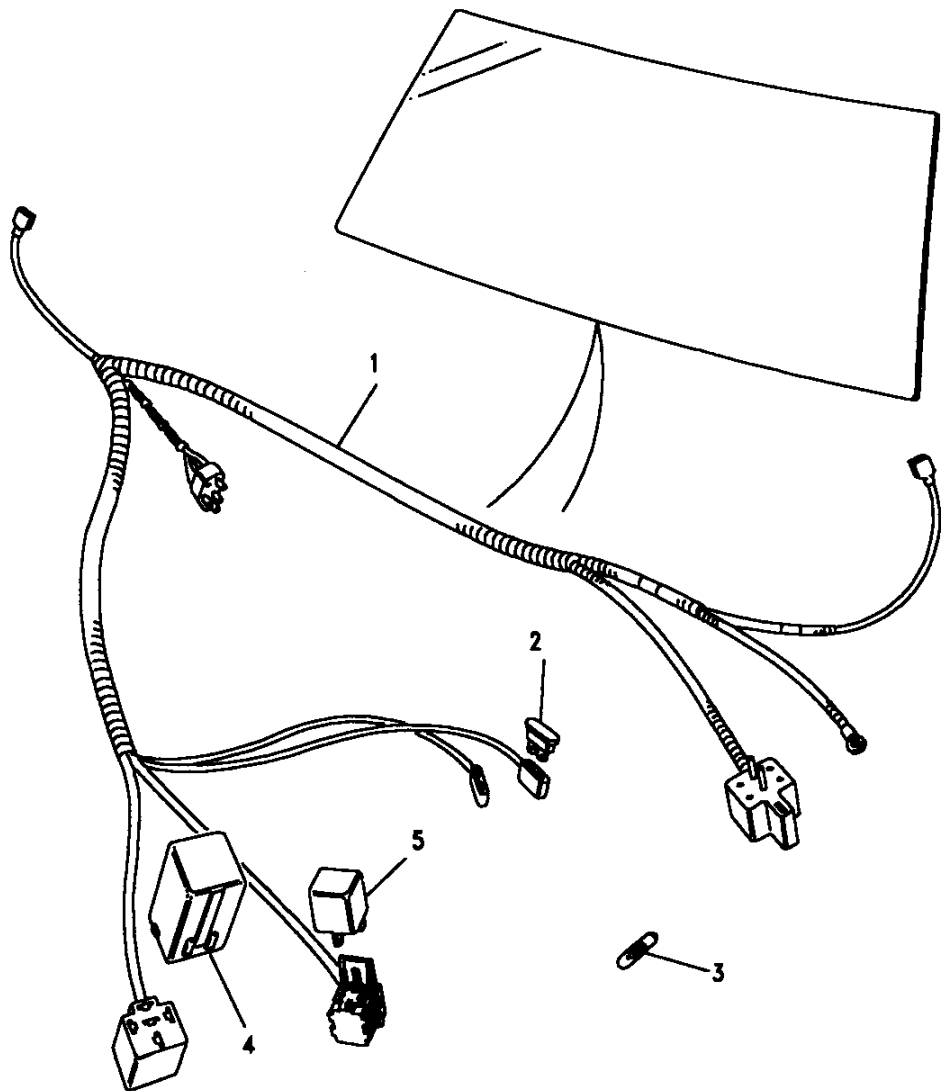


**Model** RANGE ROVER 1992 onwards  
**Page** BDMXMK1A

**ELECTRICAL - HEATED FRONT SCREEN**

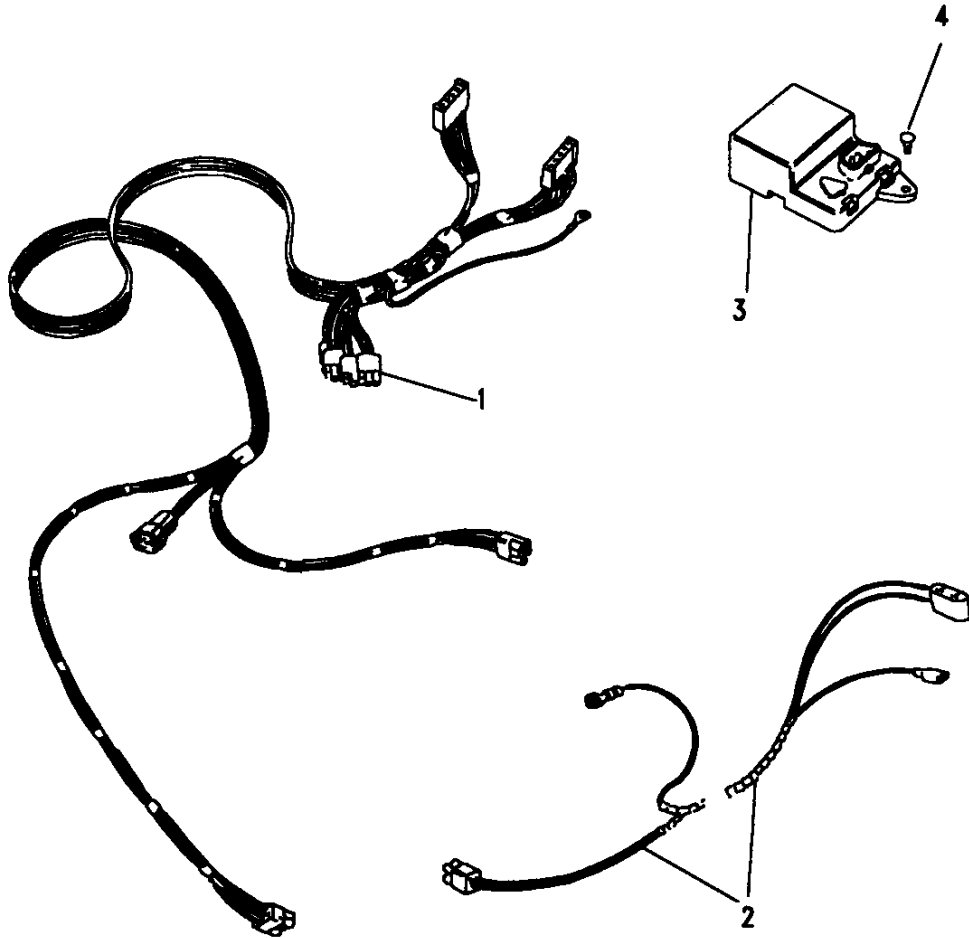
III. Part No.	Description	Qty	Remarks
1 PRC7288	Harness heated screen	1	Note(1)
2 RTC4506	Fuse 25 amp	2	
3 RTC5605	Bulb - Amber	1	Note(2)
4 PRC6796	Timer unit	1	
5 PRC7303	Relay 70 amp	1	

Note(1) Incorporated into main harness from MA647645.  
 Note(2) Bulb for switch illumination.



**Model** RANGE ROVER 1992 onwards  
**Page** BDMXPA1A

**ELECTRICAL - WINDOW LIFT CONTROL UNIT - 2 DOOR**

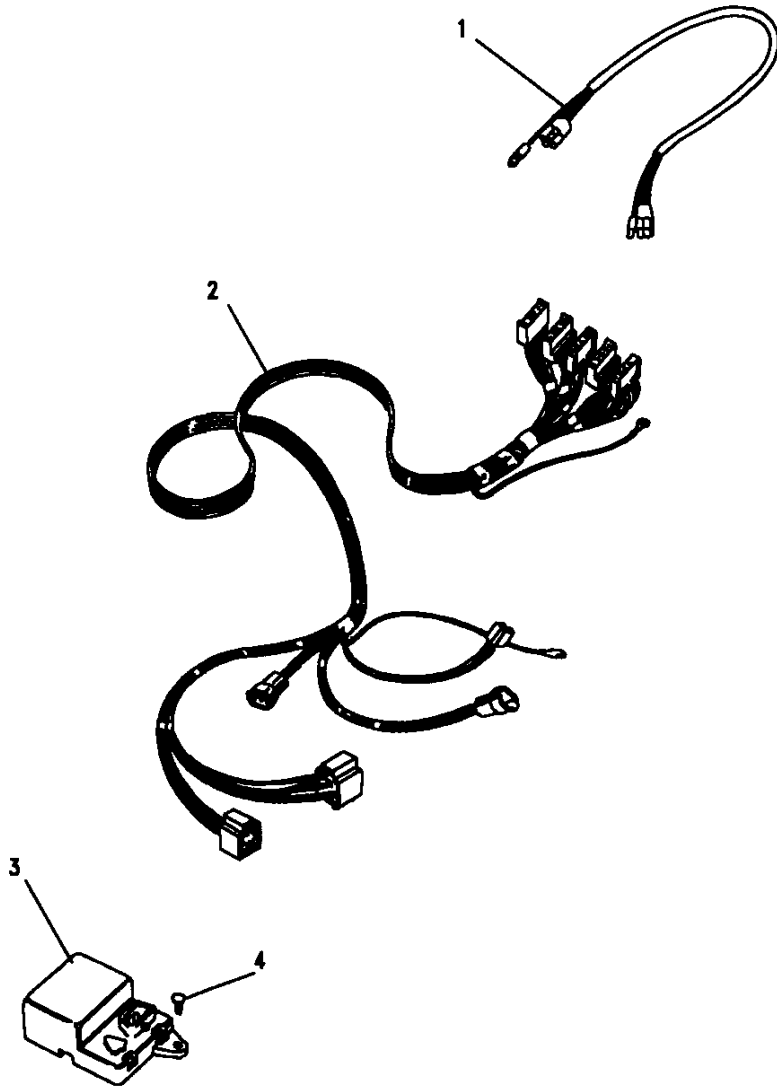


III. Part No.	Description	Qty	Remarks
<b>2 door vehicles - up to LA647644</b>			
1	PRC8843	1	
2	PRC8843	1	Up to JA624755
	PRC9984	1	From KA624756
3	PRC6859	1	
4	MXC8709	2	

**Model** RANGE ROVER 1992 onwards  
**Page** BDMXPA2A

**ELECTRICAL - WINDOW LIFT CONTROL UNIT - UP TO LA647644**

III. Part No.	Description	Qty	Remarks
<b>4 door vehicles - up to LA647644</b>			
1	PRC4719 Link lead RH	1	
	PRC4721 Link lead LH	1	
2	PRC9263 Harness cubbybox assembly	1	Up to JA624755
	PRC9983 Harness cubbybox assembly	1	From KA624756
3	PRC6859 ECU - window lift	1	
4	MXC8709 Rivet	2	



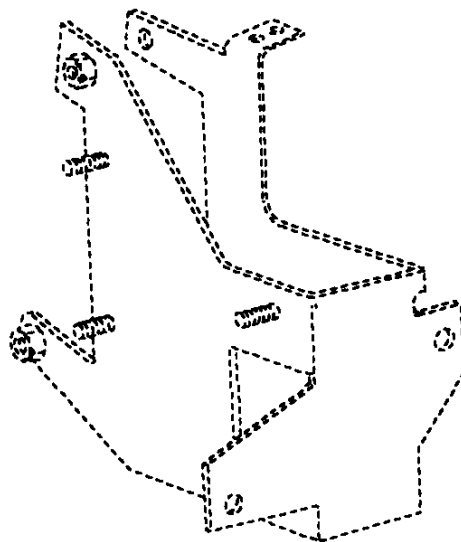
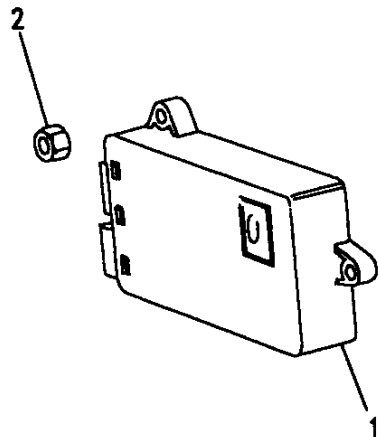


**Model** RANGE ROVER 1992 onwards  
**Page** BDMXPA3A

**ELECTRICAL - WINDOW LIFT CONTROL UNIT - FROM MA647645**

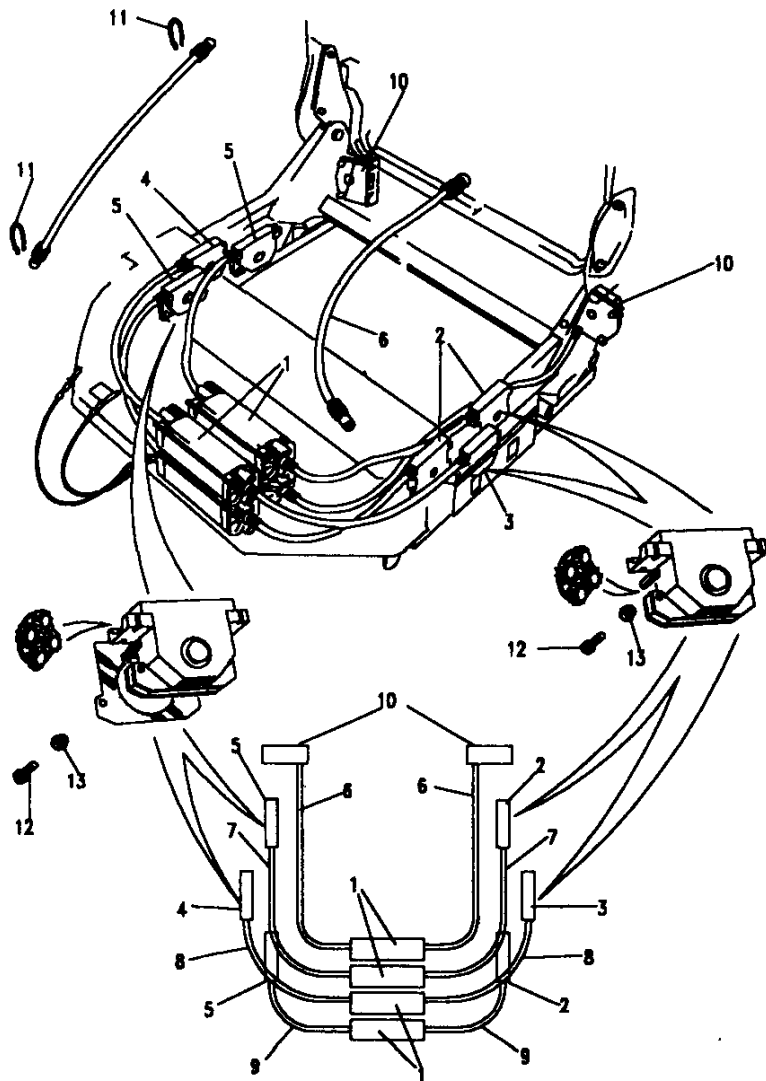
III. Part No.	Description	Qty	Remarks
<b>Electronic control unit</b>			
1 AMR1282	ECU - window lift	1	Note(1)
2 NH104041	Nut M4	3	

Note(1) For mounting bracket see ABS system.



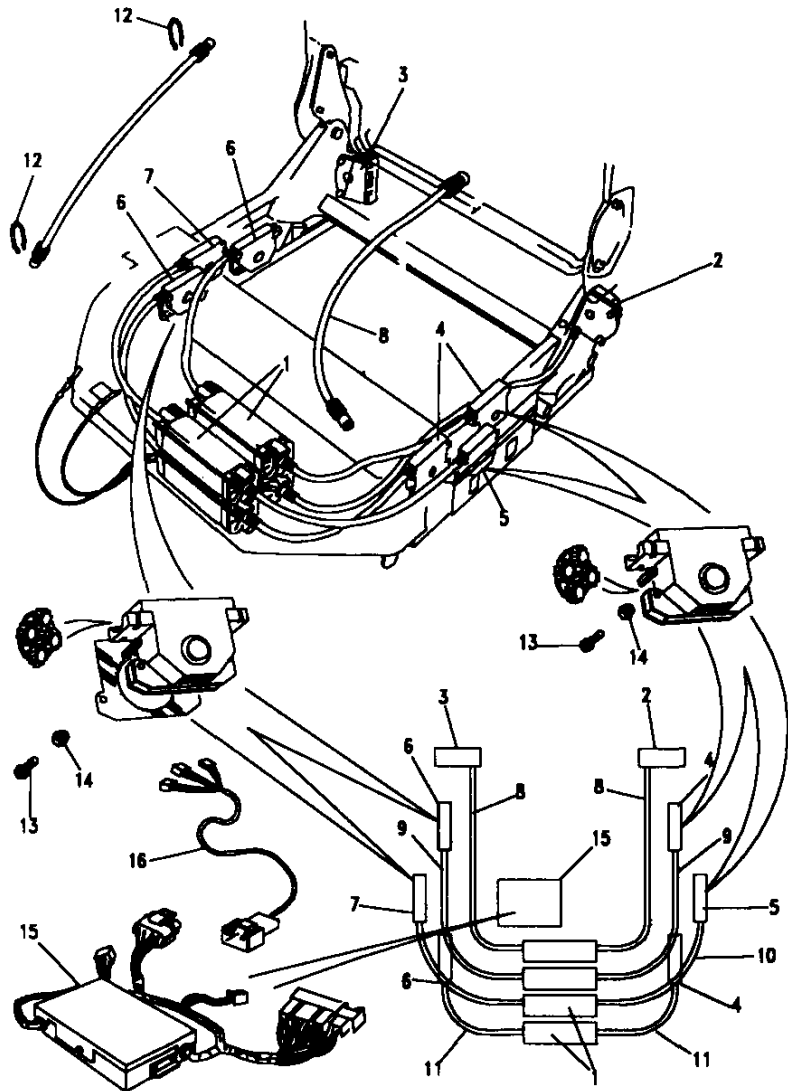
**Model** RANGE ROVER 1992 onwards  
**Page** BDMXRA1A

**ELECTRICAL - FRONT SEAT MOTOR AND CABLES**



III. Part No.	Description	Qty	Remarks
1	RTC5281	8	Motor seat
2	RTC5623	4	Gearbox seat LH
3	RTC6412	2	Gearbox seat LH
4	RTC6411	2	Gearbox seat RH
5	RTC5786	4	Gearbox seat RH
<b>Outer cables</b>			
6	RTC8407	4	Cable seat outer 524mm
7	RTC5271	4	Cable seat outer 281mm
8	RTC5272	4	Cable seat outer 230mm
9	RTC5273	4	Cable seat outer 255.5mm
<b>Inner cables</b>			
6	RTC6408	4	Cable seat inner 565mm
7	RTC5275	4	Cable seat inner 317.5mm
8	RTC6410	4	Cable seat inner 266.5mm
9	RTC6409	4	Cable seat inner 292mm
<b>All variants</b>			
10	RTC5789	1	Gearbox seat RH Dual start
	RTC5790	1	Gearbox seat LH Dual start
11	RTC5796	16	Clip spring )
	STC1888	16	Clip spring )Note(1)
12	RTC5797	8	Screw 40mm Long
	RTC5798	16	Screw 30mm Long
13	NH104041L	24	Nut

Note(1) STC1888 introduced approx 01/01/92



**Model** RANGE ROVER 1992 onwards  
**Page** BDMXRA1B

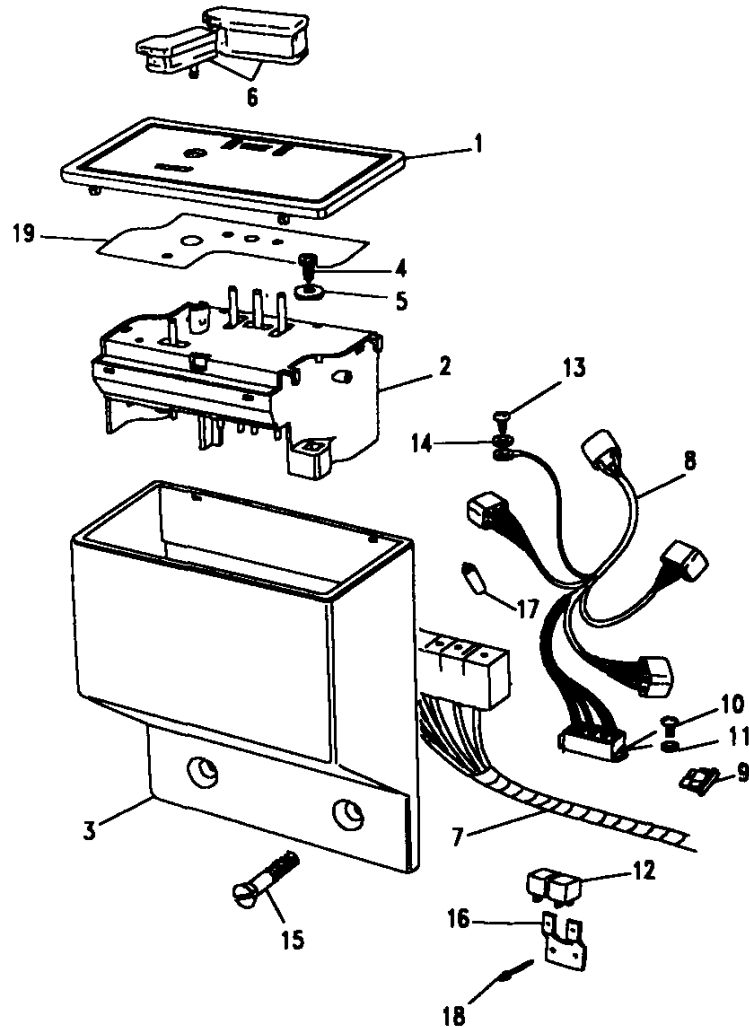
**ELECTRICAL - FRONT SEAT MOTORS & CABLES**

III. Part No.	Description	Qty	Remarks
1	RTC5281	4	
2	STC607	1	Single start
3	STC608	1	Single start
4	STC609	2	Signal
5	STC610	1	Signal
6	RTC5786	2	
7	RTC6411	1	
<b>Outer cables</b>			
8	RTC6407	4	524mm
9	RTC5273	4	255.5mm
10	RTC5271	4	281mm
11	RTC5272	4	230mm
<b>Inner cables</b>			
8	RTC6408	4	565mm
9	RTC6409	4	292mm
10	RTC5275	4	317.5mm
11	RTC6410	4	266.5mm
<b>All variants</b>			
12	RTC5796	16	)
	STC1888	16	)Note(1)
13	RTC5797	8	40mm
	RTC5798	16	30mm
14	NH104041L	24	
15	PRC9864	2	Electronic Control Unit
16	PRC9260	1	Cable assembly RH
	PRC9261	1	Cable assembly LH

Note(1) STC1888 Introduced approx 01/01/92.

**Model** RANGE ROVER 1992 onwards  
**Page** BDMXRA2A

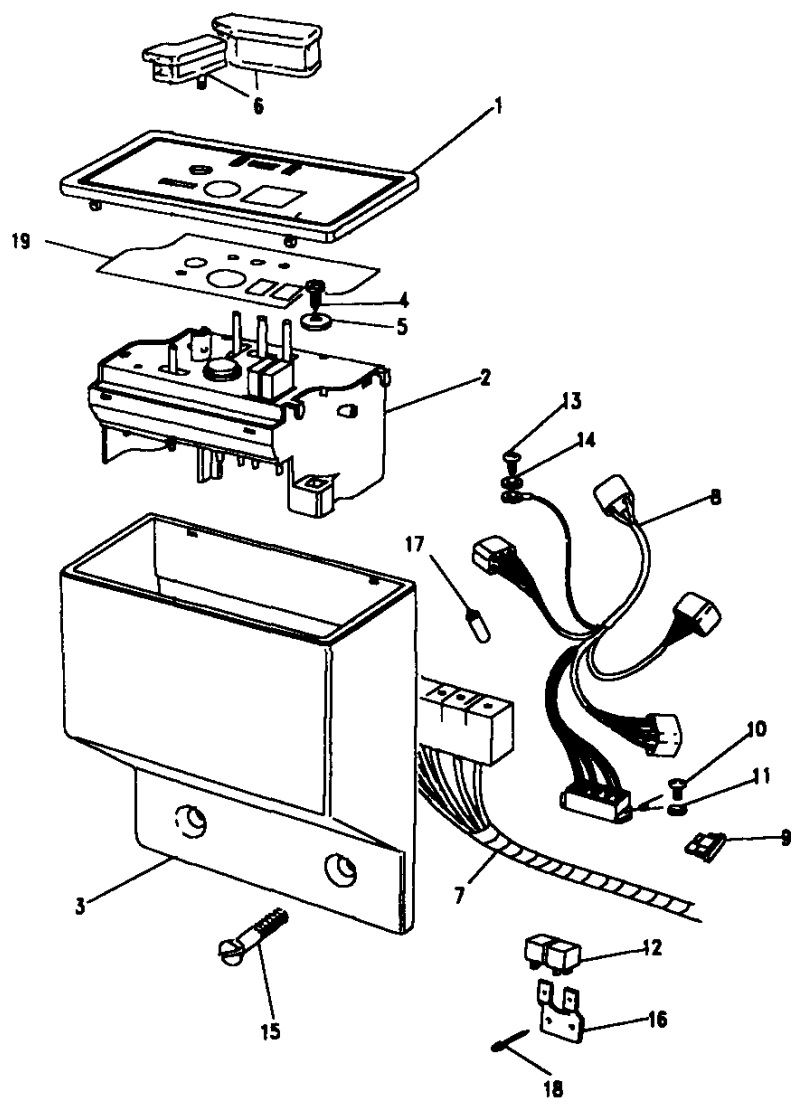
**ELECTRICAL - FRONT SEAT SWITCHES - NON MEMORY**



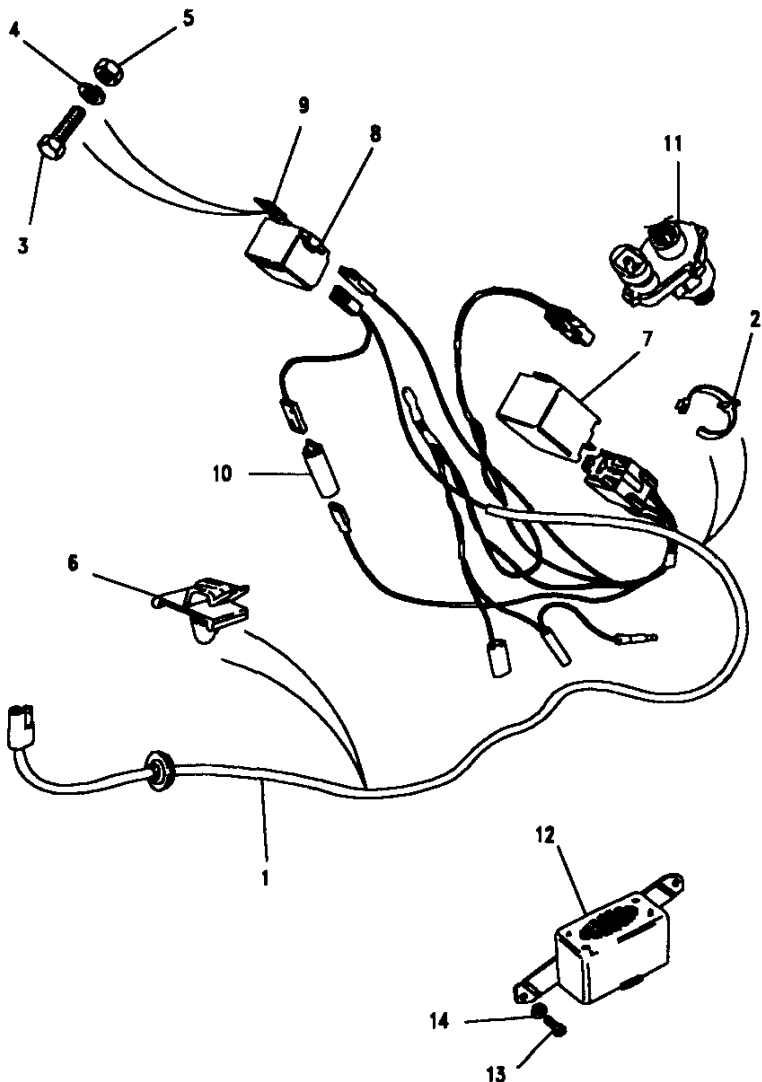
III. Part No.	Description	Qty	Remarks
1	BTR1334RUN	1	)Up to LA647644
	BTR1333RUN	1	
	BTR7310LNF	1	)From MA647645
	BTR7311LNF	1	
2	PRC8095	1	)
	PRC8096	1	
3	BTR1335RUN	1	)Up to LA647644
	BTR1336RUN	1	
	BTR7314LNF	1	)From MA647645
	BTR7315LNF	1	
4	MUC5848	4	)
5	MUC5845	4	
6	PRC6030	1	)
	PRC6029	1	
	PRC6032	1	)
	PRC6031	1	
7	PRC8838	1	)
	PRC9262	1	
8	PRC8483	1	)
9	RTC4507	4	
10	SP105101L	2	)
11	WA105001L	2	
12	YWB10027L	2	)
13	AB608031L	2	
14	WC702101L	2	)
15	SA106251	4	
16	PRC7054	1	)
17	AAU5034	2	
18	RA612183	2	)
19	BTR3061	1	

**Model** RANGE ROVER 1992 onwards  
**Page** BDMXRA2B

**ELECTRICAL - FRONT SEAT SWITCHES - MEMORY SEATS**



III. Part No.	Description	Qty	Remarks
1	BTR1564RUN	1	)Up to JA624755
	BTR1565RUN	1	)
	BTR5380RUN	1	)From KA624756
	BTR5381RUN	1	)up to LA647644
	BTR7312LNF	1	)From MA647645
	BTR7313LNF	1	)
2	PRC7154	1	Switch seat RH
	PRC7153	1	Switch seat LH
3	BTR1335RUN	1	Housing switch panel LH
	BTR1336RUN	1	Housing switch panel RH
4	MUC5848	4	Screw
5	MUC5845	4	Washer
6	PRC6030	1	Switch squab RH
	PRC6029	1	Switch squab LH
	PRC6032	1	Switch cushion RH
	PRC6031	1	Switch cushion LH
7	PRC9261	1	Cable front seat LH
	PRC9260	1	Cable front seat RH
8	PRC8483	1	Cable assembly
9	RTC4507	4	Fuse 30 amp
10	SP105101L	2	Screw
11	WA105001L	2	Washer plain
12	YWB10027L	2	Relay
13	AB608031L	2	Screw
14	WC702101L	2	Washer plain
15	SA106251	4	Screw
16	PRC7054	1	Bracket mounting
17	AAU5034	2	Diode
18	RA612183	2	Rivet
19	BTR3061	1	Diaphragm



**Model** RANGE ROVER 1992 onwards  
**Page** BDMXVA1A

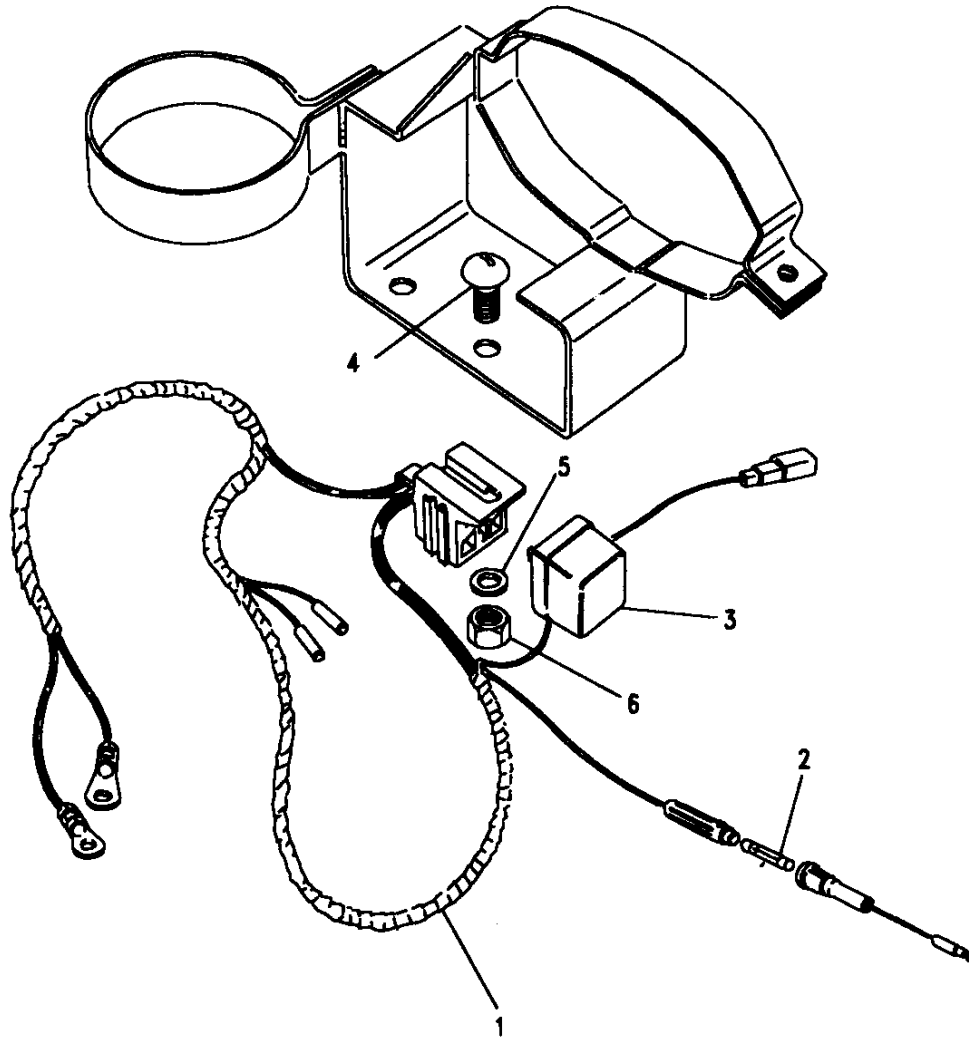
**ELECTRICAL - OVERSPEED AUDIBLE WARNING**

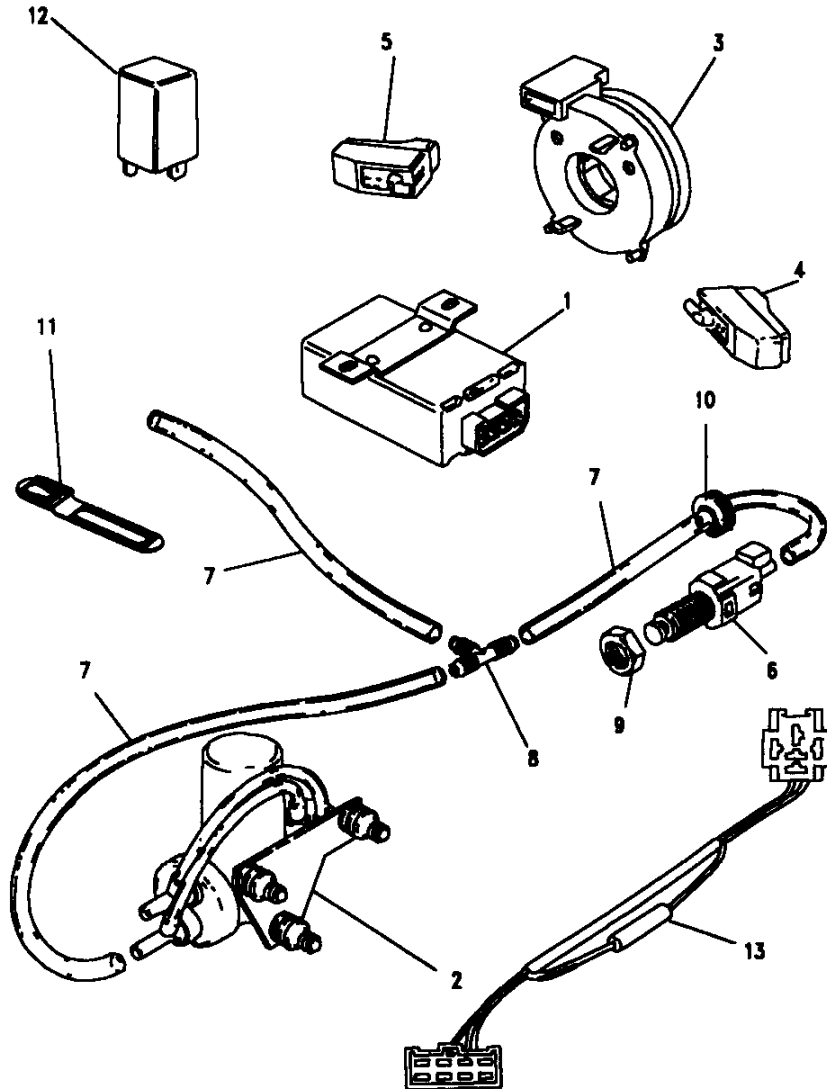
III. Part No.	Description	Qty	Remarks
1	AMR1044	1	
2	13H9727L	2	
3	257017	2	
4	WM702001L	2	
5	HN2005L	2	
6	AFU2881	1	
7	PRC4268	1	
8	PRC4299	1	
9	PRC4304	1	
10	AAU5034	1	Pektron
11	PRC4497	1	
12	PRC6726	1	
13	AB608047L	2	
14	WA104001	2	

**Model** RANGE ROVER 1992 onwards  
**Page** BDMXVC1A

**ELECTRICAL - HEATED FUEL FILTER - CABLE, FUSE & RELAY**

III. Part No.	Description	Qty	Remarks
1	PRC6721	1	Harness fuel filter
2	RTC4505	1	Fuse 25 amp
3	PRC6791	1	Relay 28RA
4	SE105121L	1	Screw
5	WA105001L	1	Washer plain
6	NH105041L	1	Nut





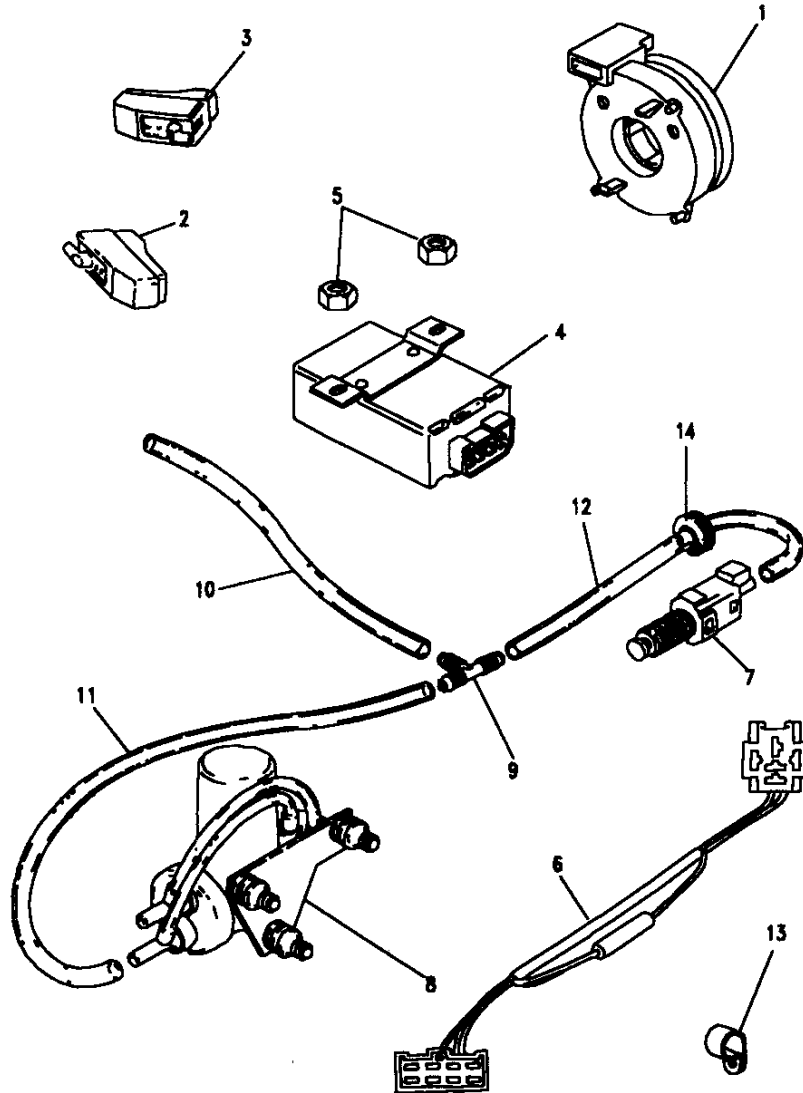
**Model** RANGE ROVER 1992 onwards  
**Page** BDMXVE1A

**ELECTRICAL - CRUISE CONTROL - UP TO LA647645**

III. Part No.	Description	Qty	Remarks
1	PRC5060	1	Up to JA624755
	AMR2524	1	From KA624756
2	PRC6260	1	
3	PRC8746	1	
4	PRC5797	1	
5	PRC6590	1	
6	PRC6259	1	
7	NTC8232	1	
8	NTC5266	1	Up to JA624755
	AMR1114	1	From KA624756
9	NTC4207	1	
10	NTC4238	1	Up to JA624755
	AMR1027	1	From KA624756
11	C39377L	2	
12	PRC9666	1	
<b>Cruise control harness</b>			
13	AMR1835	1	Manual
	PRC9991	1	Automatic

Note(1) Wirng to control switches is integral with steering wheel.





**Model** RANGE ROVER 1992 onwards  
**Page** BDMXVE2A

**ELECTRICAL - CRUISE CONTROL - FROM MA647645**

III. Part No.	Description	Qty	Remarks
<b>Vehicles without SRS</b>			
1 AMR3649	Coupler rotary	1	
2 PRC5797	Switch set/accelerator	1	)Note(3)
3 PRC6590	Switch reset/cancel	1	)
<b>Vehicles with SRS</b>			
1 AMR3647	Coupler rotary - SRS	1	
2 AMR3361	Switch speed/set	1	)Note(3)
<b>All variants</b>			
4 AMR1173	Cruise control unit	1	
5 NH104041	Nut M4	2	
6 AMR1835	Cable assy cruise control	1	Manual Note(4)
PRC9991	Cable assy cruise control	1	Auto. Note(5)
7 ERR2622	Switch self adjust vent	2	
8 PRC6260	Vacuum control unit	1	
9 AMR1114	Tee piece	1	
10 AMR1886	Hose - pump to T	1	
11 NTC8232	Hose - T to actuator	1	
12 AMR1888	Hose - T to vent valve	1	
13 CP105121	Clip P M12 to vent valve	2	
14 NTC4238	Grommet	1	
338017	Plug self sealing	1	Non cruise vehicles

- Note(1) For cruise enable switch see page 508  
 Note(2) For speed trip ECU and cruise change over relay see relay section.  
 Note(3) Wiring to control switches is integral with steering wheel.  
 Note(4) Connects to speed trip ECU in passenger footwell.  
 Note(5) Connects to cruise change over relay in passenger footwell.

**MASTER INDEX**

	PAGES
INTRODUCTION PAGES	1 - 3
ALPHABETICAL INDEX	4 - 9
ENGINE	10 - 50
ENGINE	51 - 88
ENGINE	89 - 133
ENGINE	134 - 172
GEARBOX	173 - 194
GEARBOX	195 - 211
GEARBOX	212 - 238
TRANSFER BOX	239 - 252
AXLES AND SUSPENSION	253 - 313
STEERING	314 - 332
VEHICLE AND ENGINE CONTROLS	333 - 343
BRAKES	344 - 374
FUEL SYSTEM AND AIR CLEANER	375 - 401
EXHAUST SYSTEM	402 - 409
COOLING/HEATING	410 - 456
BODY ELECTRICAL	457 - 574
BODY AND CHASSIS	575 - 681
INTERIOR TRIM	682 - 772
SEATS	773 - 843
SEATS	844 - 862
STOWAGE	863 - 865
ACCESSORIES - PAINTS	866 - 893
NUMERICAL INDEX	895 - 958

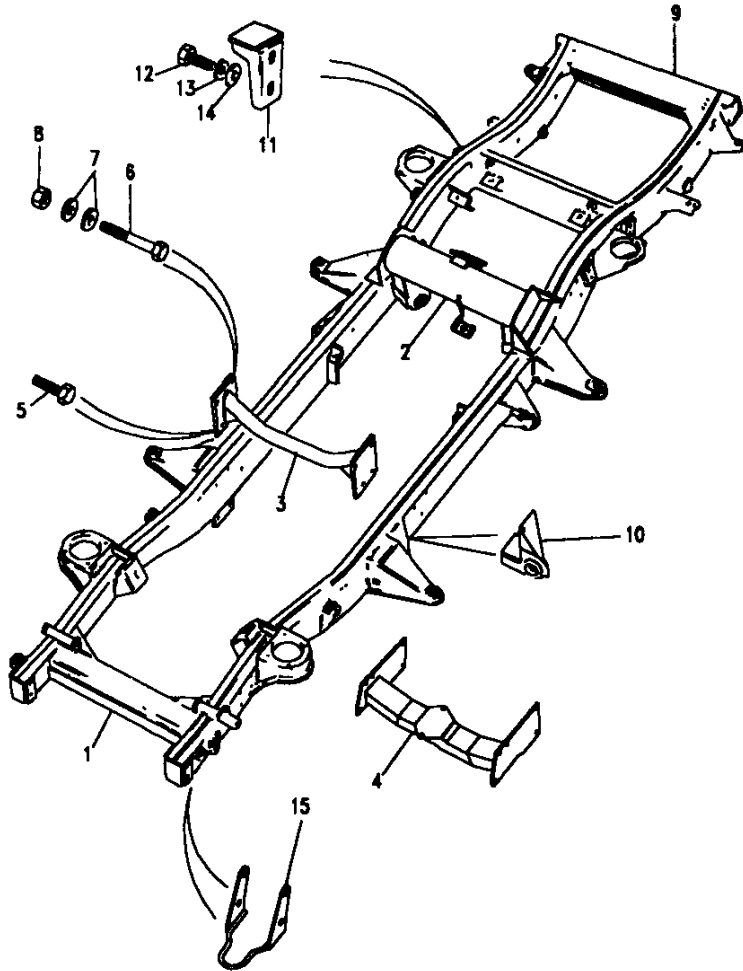
**GROUP N**
**BODY AND CHASSIS**

<b>BODY AND CHASSIS</b>	
FRAME ASSEMBLY	577 - 578
FRONT BUMPER	579 - 580
FRONT SPOILER AND ENGINE UNDER TRAY	581 - 582
REAR BUMPER.	583 - 584
UNDER RIDE BAR	585
BODYSHELL - 2 DOOR.	586
BODYSHELL - 4 DOOR - NON L.W.B.	587
BODYSHELL - 108" L.W.B.	588
VALANCE & WHEELARCH	589 - 591
DASH ASSEMBLY.	592 - 594
TUNNEL ASSEMBLY	595
BODYSIDE - 2 DOOR.	596 - 597
BODYSIDE - 4 DOOR.	598 - 599
BODYSIDE - 108" LONG WHEEL BASE.	600 - 601
DUST PROOFING SEALS.	602
ROOF PANEL - NON SUNROOF.	603
ROOF PANEL - SUN ROOF.	604
REAR END STRUCTURE.	605
REAR FLOOR	606
BODY COLOUR LABELS	607
GRILLE & HEADLAMP SURROUND.	608
BONNET LOCK.	609 - 610
BONNET & LOCKING PLATFORM.	611 - 612
FRONT WINGS & DECK PANEL.	613 - 614
WINDSCREEN & INTERIOR MIRROR.	615 - 616
WINDSCREEN & INTERIOR MIRROR	617
FRONT DOOR ASSEMBLY - 2 DOOR.	618 - 619
FRONT DOOR ASSEMBLY - 4 DOOR.	620 - 621
FRONT DOOR FRAME & SEALS - 2 DOOR.	622
FRONT DOOR FRAME & SEAL - 4 DOOR.	623 - 624
REAR DOOR ASSEMBLY.	625 - 630
REAR DOOR FRAME	631 - 632
WINDOW REGULATORS FRONT - 2 DOOR.	633
WINDOW REGULATORS FRONT - 4 DOOR.	634
WINDOW REGULATORS REAR.	635
DOOR LOCKS - 2 DOOR.	636 - 638
DOOR LOCKS FRONT - NON HEATED - 4 DOOR.	639 - 641
DOOR LOCKS FRONT - HEATED - 4 DOOR.	642 - 644

DOOR LOCKS REAR.	645 - 647
LOCKSETS - 1992 MODEL YEAR (JA CHASSIS RANGE)	648 - 649
LOCKSETS - 1993 MODEL YEAR (KA CHASSIS RANGE)	650 - 651
LOCKSETS - 1995 MODEL YEAR (MA CHASSIS RANGE)	652 - 653
LOWER TAILGATE.	654
TORSION SPRING LOWER TAILGATE	655
LOCK LOWER TAILGATE.	656
UPPER TAILGATE.	657 - 659
UPPER TAILGATE CENTRAL LOCKING.	660
OUTER PANELS BODYSIDE.	661 - 662
FUEL FILLER FLAP.	663.
SIDE WINDOW REAR - 2 DOOR.	664
BODYSIDE GLASS - 4 DOOR.	665
GLASS SUNROOF.	666 - 667
BODY TAPES & RUBBING STRIPS UP TO JA624755	668 - 669
BODY TAPES & RUBBING STRIPS FROM KA624756	670 - 672
DECALS 673 RUBBING STRIPS - FROM KA640178	673
DECALS & RUBBING STRIPS - FROM KA640178	674
DECALS & RUBBING STRIPS - FROM KA6401	675
BODY STYLING KITS.	676 - 677
EXTERIOR MIRRORS.	678 - 679
MUDFLAPS FRONT.	680
MUDFLAPS REAR.	681

**Model** RANGE ROVER 1992 onwards  
**Page** BDNXAA2A

**CHASSIS FRAME - FRAME ASSEMBLY**

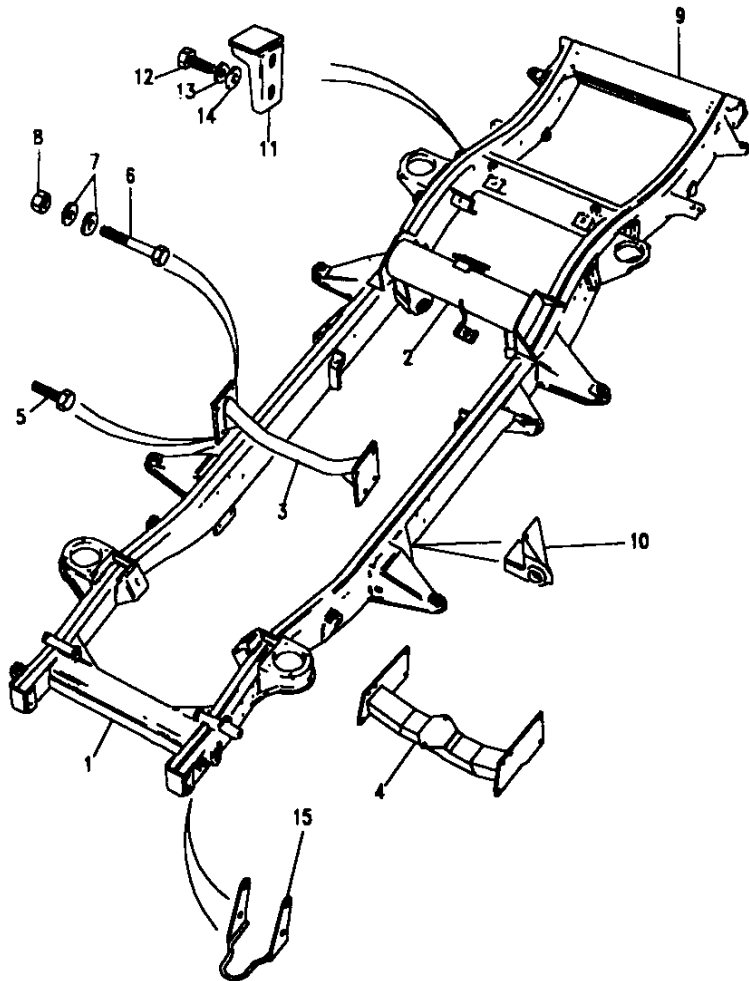


III. Part No.	Description	Qty	Remarks
<b>Non air suspension - Up to KA647644</b>			
1 NTC8282	Chassis assembly	1	
<b>With air suspension - Up to KA647644</b>			
1 ANR1564	Chassis assembly	1	
<b>200TDI - Up to KA647644</b>			
ANR1222	Chassis assembly	1	
<b>108" L.W.B. with air suspension - Up to KA647645</b>			
ANR1566	Chassis assembly	1	
<b>300TDI - From MA647645</b>			
ANR1587	Chassis frame	1	
<b>300TDI - With air suspension - From MA647645</b>			
ANR2226	Chassis frame	1	
<b>Non air suspension - From MA647645</b>			
ANR1584	Chassis frame	1	
<b>With air suspension - From MA647645</b>			
ANR1585	Chassis frame	1	
<b>108" L.W.B. with air suspension - From KA647645</b>			
ANR1586	Chassis frame	1	

Model RANGE ROVER 1992 onwards

Page BDNXAA2A

CHASSIS FRAME - FRAME ASSEMBLY



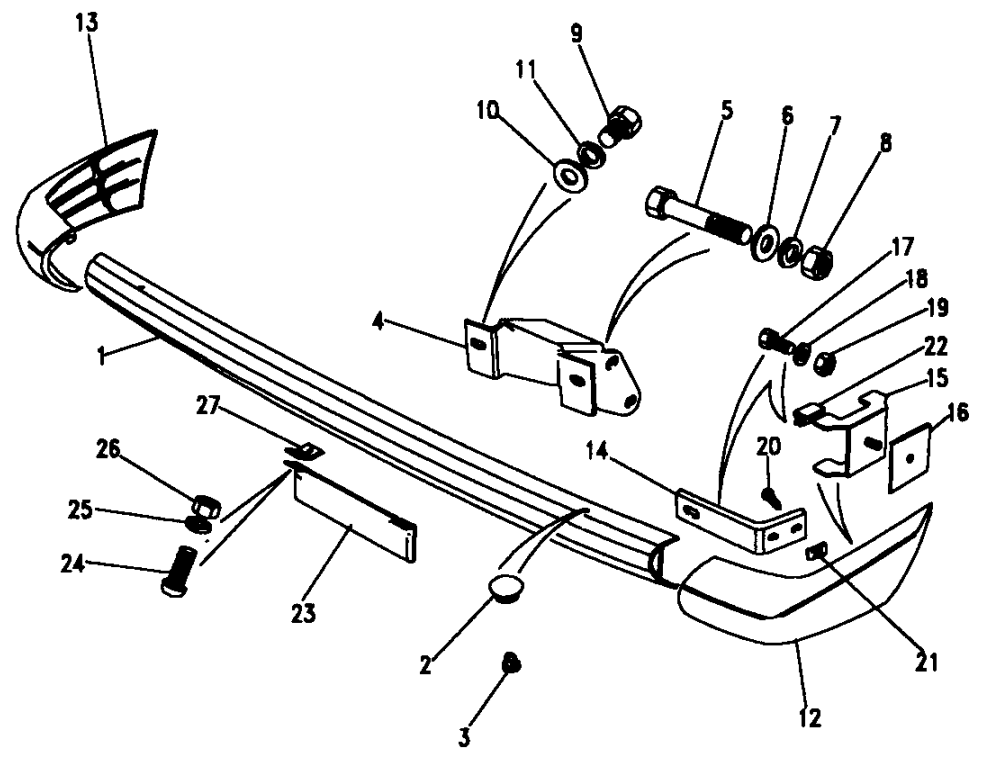
III. Part No.	Description	Qty	Remarks
<b>All variants</b>			
2	NTC7128	1	Note(1)
	ANR1292	1	Note(2)
3	NTC5031	1	
<b>200TDI</b>			
4	ANR1223	1	
<b>All variants</b>			
5	SH110251L	4	
6	BH110201L	4	
7	WA110061L	16	
8	NH110041L	8	
9	ANR3432	1	
10	ANR3428	1	
	ANR3429	1	
11	575571	4	
12	SH605061L	8	
13	WM600051L	8	
14	RTC610	8	
15	NTC3519	1	

Note(1) Up to JA624755

Note(2) From KA624756

**Model** RANGE ROVER 1992 onwards  
**Page** BDNXAC1A

**BODY - FRONT BUMPER**



III. Part No.	Description	Qty	Remarks
<b>Vehicles without body styling kits only - Up to KA647644</b>			
1	NTC4281	1	Black
	NTC7041	1	Chrome
<b>Vehicles with body styling kits only - Up to KA647644</b>			
	ANR1555	1	Bumper front
<b>With body styling kit - From MA647644</b>			
	ANR3465	1	c/w Crush cans
<b>Black From MA647645</b>			
	ANR2033	1	c/w Crush cans
<b>Chrome From MA647645</b>			
	ANR2445	1	c/w Crush cans
<b>All variants</b>			
2	NTC2804	2	Grommet
3	MUC8478	2	Plug
4	NTC3297	1	Bracket mounting RH
	NTC3298	1	Bracket mounting LH
5	BH606361L	2	Screw
	NRC2384	2	Screw
6	3036L	4	Washer plain
7	WM600061L	4	Washer spring
8	NH606041L	4	Nut
9	SH606081L	4	Screw
10	3036L	4	Washer plain
11	WM600061L	4	Washer spring

**Model** RANGE ROVER 1992 onwards  
**Page** BDNXAC1A

**BODY - FRONT BUMPER**

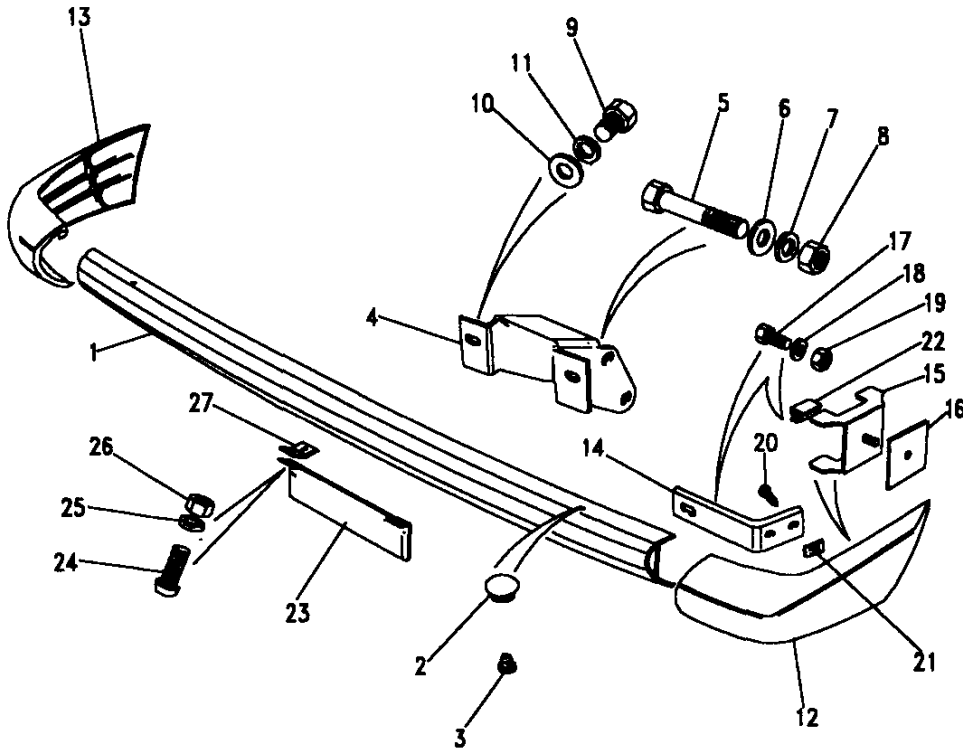
III. Part No.	Description	Qty	Remarks
12	RTC5696	1	Capping LH
13	RTC5695	1	Capping RH
14	NTC2780	1	Bracket mounting RH
	NTC2781	1	Bracket mounting LH
15	NTC5683	2	Bracket mounting
16	NTC4718	2	Pad
17	FS106167L	4	Screw
18	WC106041L	8	Washer plain
19	NY106041L	4	Nut
20	AW608125L	2	Screw
21	AH610011	2	Nut
22	ADU7954	8	Clip

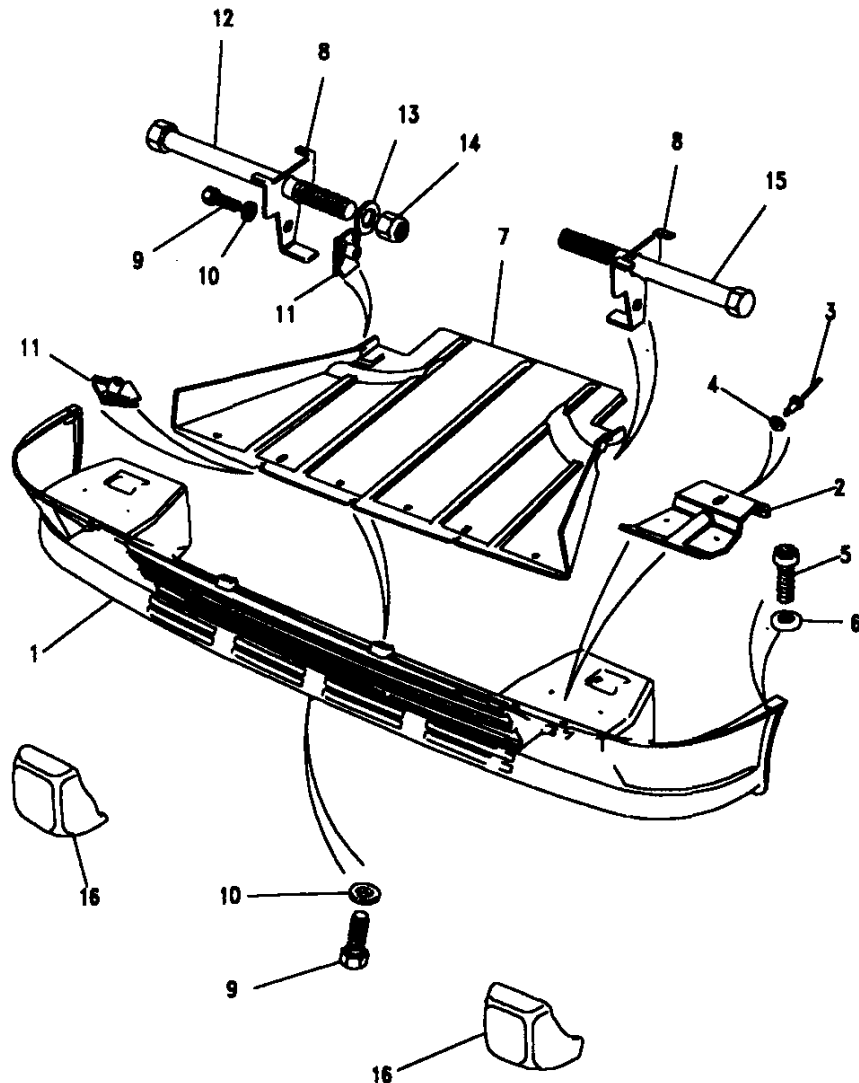
**Without spoiler**

23	90577143	1	Support number plate
24	MXC4684	4	Screw
25	WA108051L	4	Washer plain
26	NH108041L	4	Nut
27	592023	2	Bracket mounting

**With spoiler**

NTC1718	Support number plate	1
MXC4684	Screw	2
WA108051L	Washer plain	4
NH108041L	Nut	4





**Model** RANGE ROVER 1992 onwards

**Page** BDNXAC2A

**BODY - FRONT SPOILER AND ENGINE UNDER TRAY**

III. Part No.	Description	Qty	Remarks
<b>Home, Europe &amp; R.O.W. - Up to KA647644</b>			
MXC6829	Spoiler	1	
<b>Australia &amp; Gulf states only - Up to KA647644</b>			
1 MXC6828	Spoiler	1	
<b>All markets from MA647645</b>			
BTR7929	Spoiler	1	
<b>All variants</b>			
2 MUC9286	Bracket mounting RH	1	
MUC9285	Bracket mounting LH	1	
3 MXC1849	Rivet	4	
4 WA104001L	Washer plain	4	
5 SE108201L	Screw	6	
6 WA108051L	Washer plain	2	
<b>Vehicles without body styling kits</b>			
7 MXC5469	Tray engine	1	Note(1)
BTR3510	Tray engine	1	Note(2)
<b>Vehicles with body styling kits</b>			
7 BTR5948	Tray engine	1	

Note(1) Up to JA615502

Note(2) From JA615503

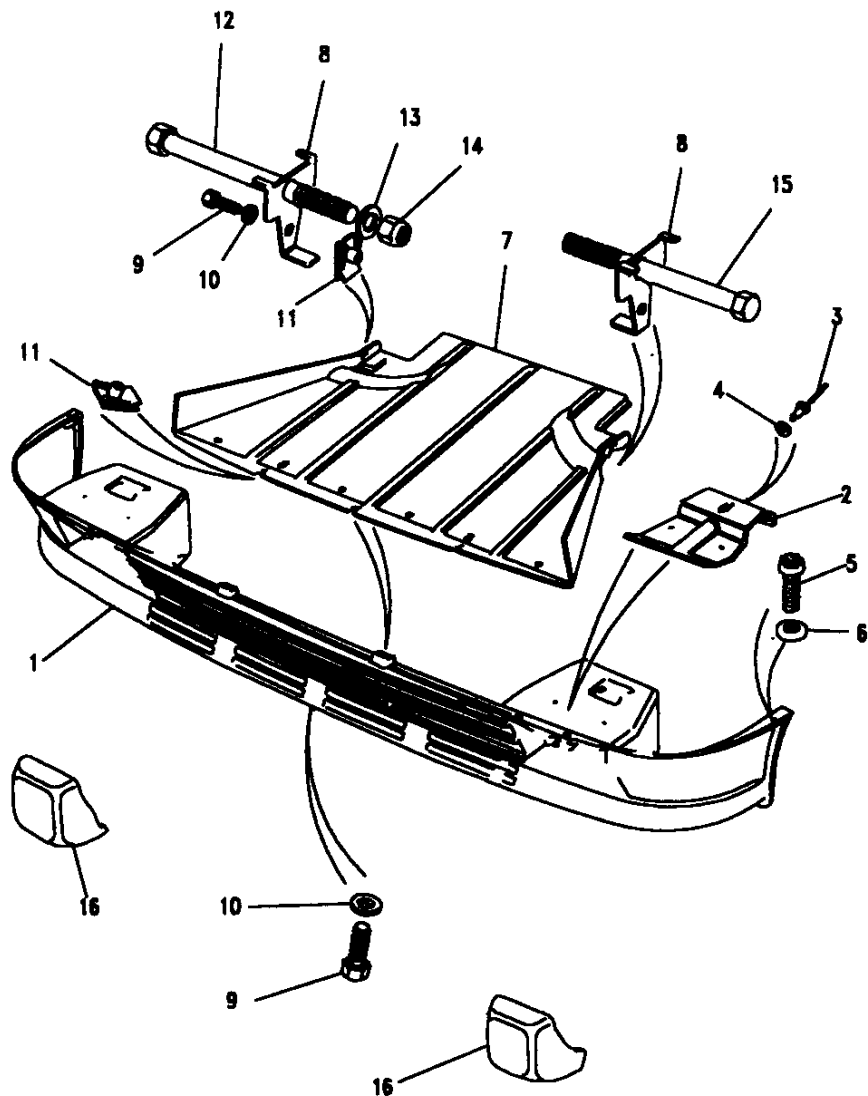


**Model** RANGE ROVER 1992 onwards  
**Page** BDNXAC2A

**BODY - FRONT SPOILER AND ENGINE UNDER TRAY**

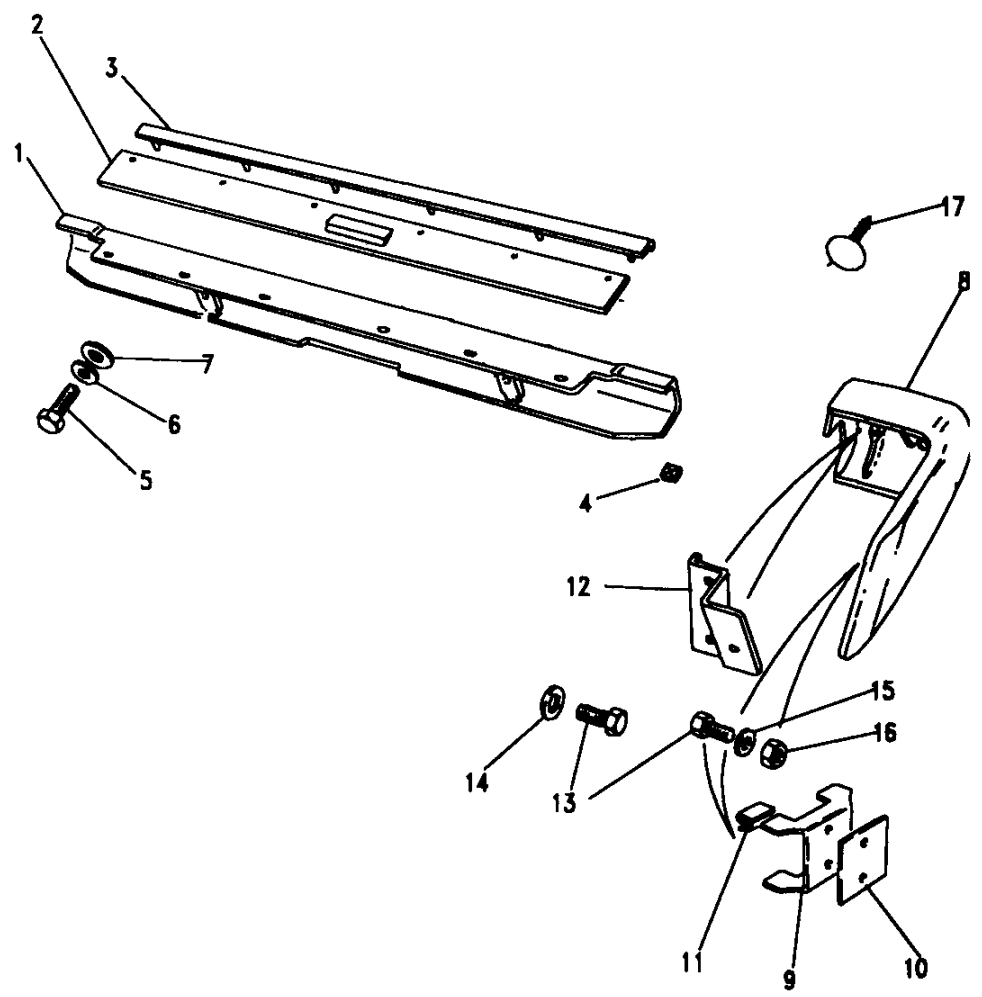
III. Part No.	Description	Qty	Remarks
<b>All variants</b>			
8	MWC6938	2	Bracket mounting
9	FS106201L	5	Flange screw
10	WA106001L	5	Washer plain
11	MWC8501	5	Nut
12	BH608481L	1	Bolt
13	WC112081L	2	Washer plain
14	NY608041L	2	Nut
15	BH608321L	1	Bolt
16	BTR9355PMD	1	Cover crush can RH
	BTR9356PMD	1	Cover crush can LH

Note(1) Panel for vehicles without spoiler see page 608



**Model** RANGE ROVER 1992 onwards  
**Page** BDNXAE1A

**BODY - REAR BUMPER.**

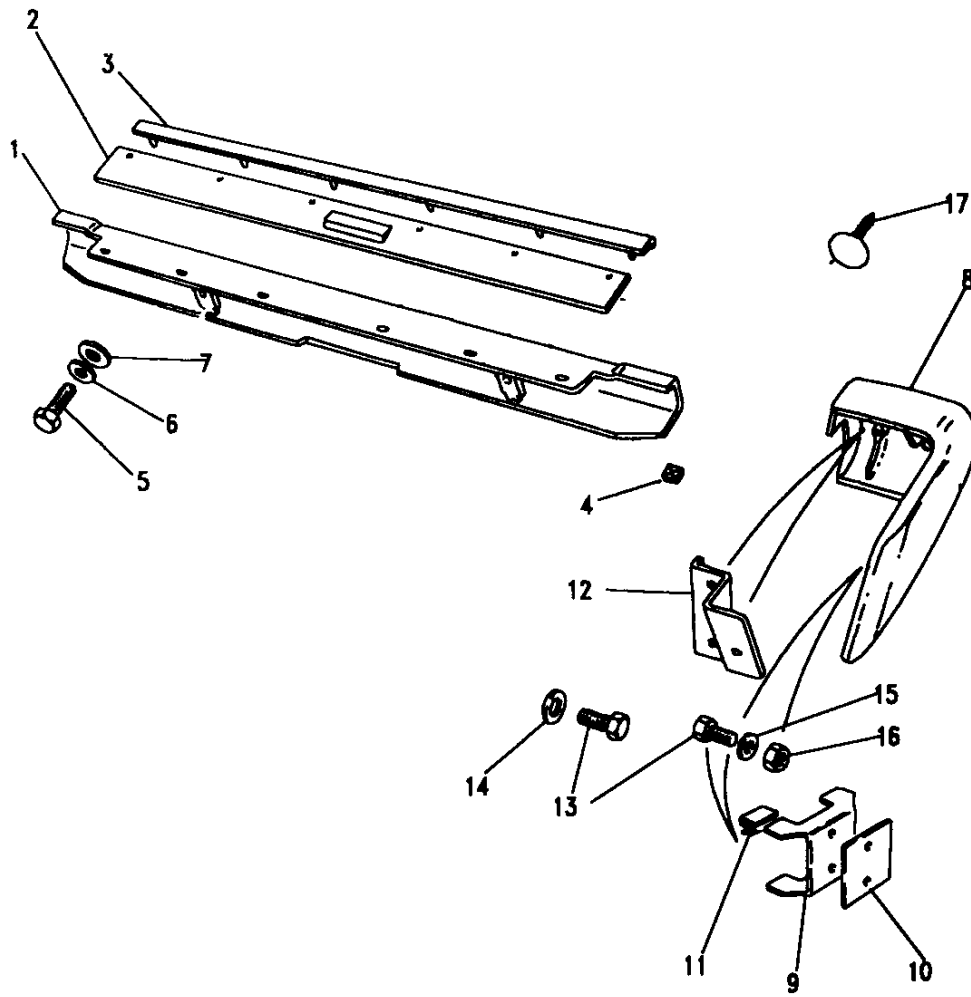


III. Part No.	Description	Qty	Remarks
<b>Vehicles without body styling kits</b>			
1 NTC3065	Bumper rear	1	Black
NTC7042	Bumper rear	1	Chrome
<b>Vehicles with body styling kits</b>			
ANR1557	Bumper rear	1	
<b>All variants</b>			
2 NTC7833	Seal dust	1	
3 NRC5214	Strip retaining	1	Black
NTC7283	Strip retaining	1	Chrome
4 AN604041L	Push on fix	6	
5 SH606081L	Screw	2	
6 WM600061L	Washer spring	2	
7 3822	Washer plain	2	
8 NTC5232	Capping RH	1	
NTC5233	Capping LH	1	
9 NTC5883	Bracket mounting	2	

Model RANGE ROVER 1992 onwards

Page BDNXAE1A

**BODY - REAR BUMPER.**

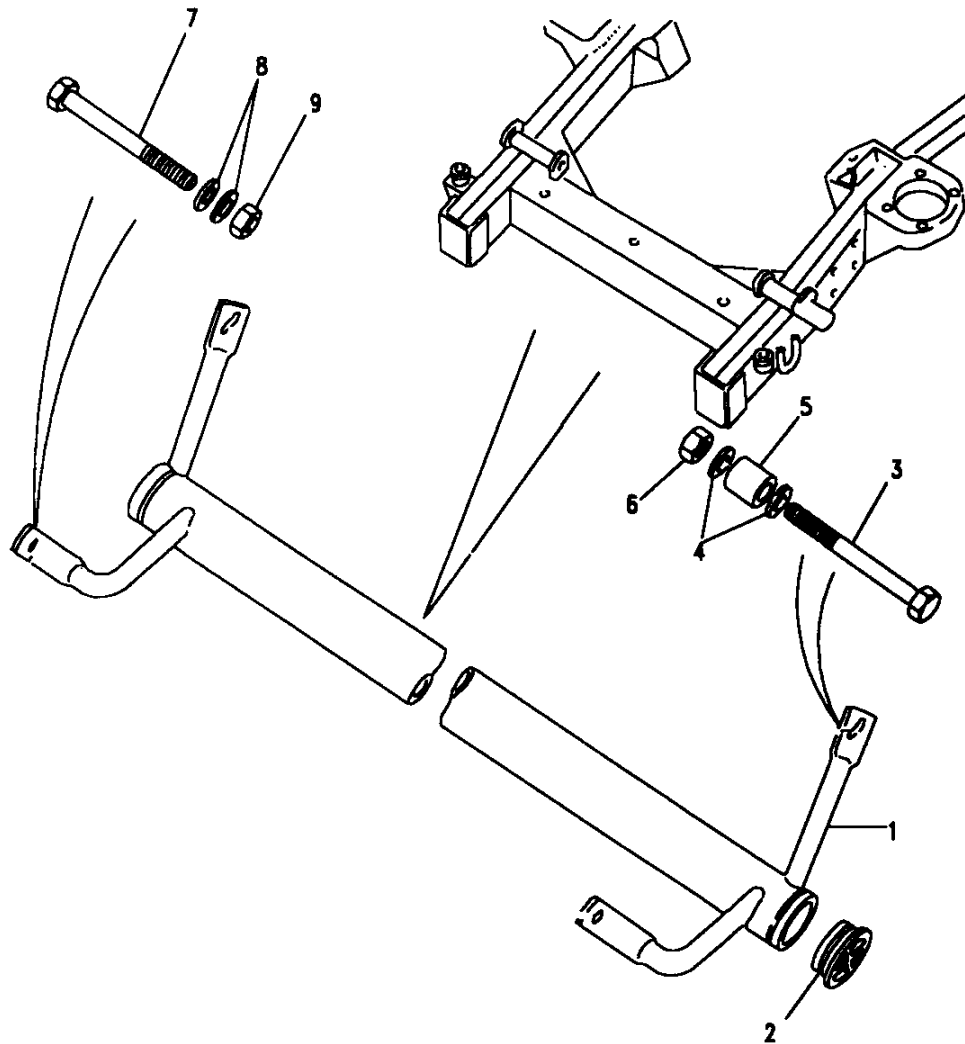


III. Part No.	Description	Qty	Remarks
10	NTC4718	2	Pad
11	ADU7954	8	Clip
12	NTC1949	1	Bracket mounting LH
	NTC1950	1	Bracket mounting RH
13	FS106167L	4	Screw
	SH106121L	2	Screw
14	WA106041L	2	Washer plain
15	WC106041L	8	Washer plain
16	NY106041L	4	Nut
17	MUC8600	2	Fastener

Model RANGE ROVER 1992 onwards  
 Page BDNXA11A

**BODY - UNDER RIDE BAR**

III. Part No.	Description	Qty	Remarks
1	NTC8239	1	Bar protection underride
2	NRC5886	2	Plug blanking
3	253948	2	Bolt
4	WC112081L	4	Washer plain
5	NRC5627	1	Spacer
6	NY608041L	1	Nut nyloc
7	BH110241	2	Bolt
8	WA110061	8	Washer plain
9	FN110041L	2	Nut flanged

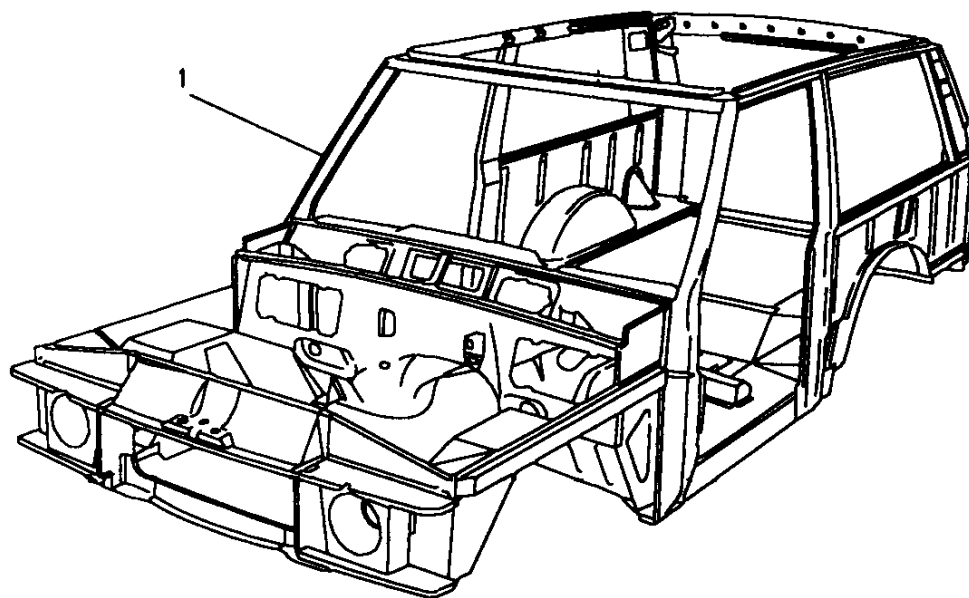


**Model** RANGE ROVER 1992 onwards  
**Page** BDNXBA1A

**BODY - BODYSHELL - 2 DOOR.**

III. Part No.	Description	Qty	Remarks
1 MXC9769	Bodyshell assembly	1	

Note(1) For fixings to chassis see items 3 to 7 on page 605

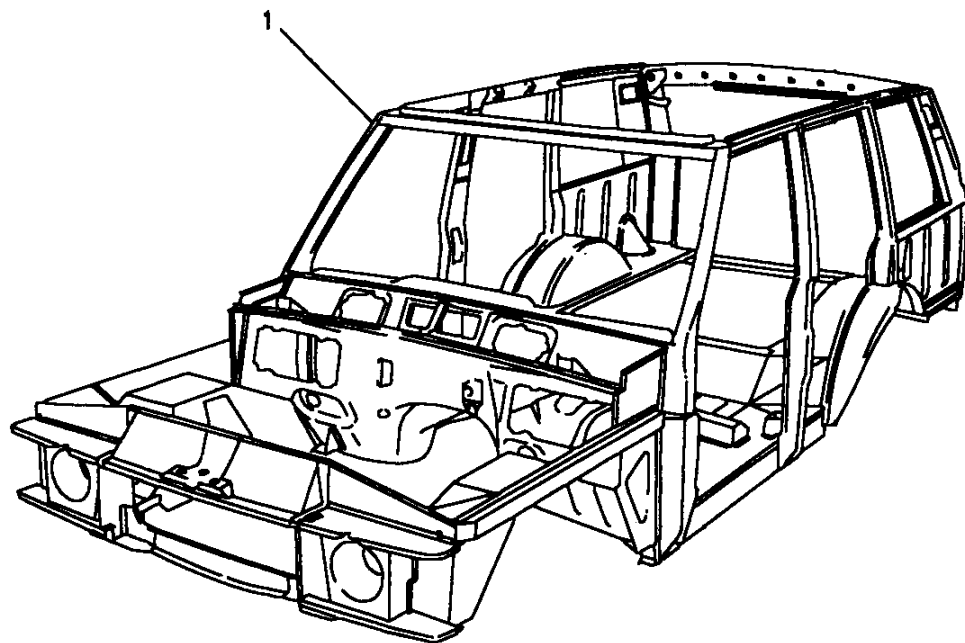


**Model** RANGE ROVER 1992 onwards  
**Page** BDNXBA2A

**BODY - BODYSHELL - 4 DOOR - NON L.W.B.**

III. Part No.	Description	Qty	Remarks
1 STC1922	Bodyshell assembly	1	Up to KA647644
ALR4194	Bodyshell assembly	1	From MA647645

Note(1) For fixings to chassis see items 3 to 7 on page 605

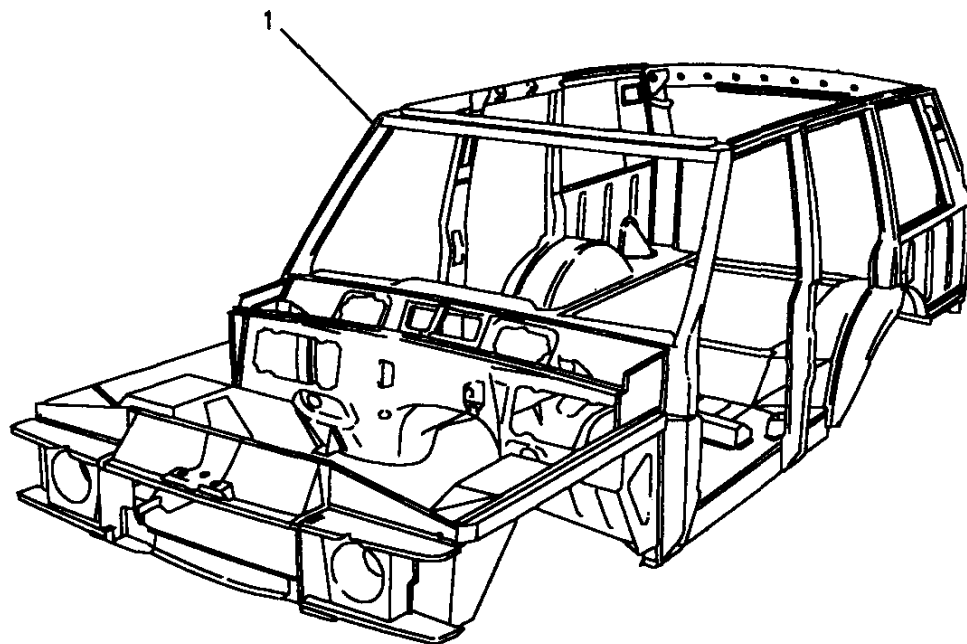


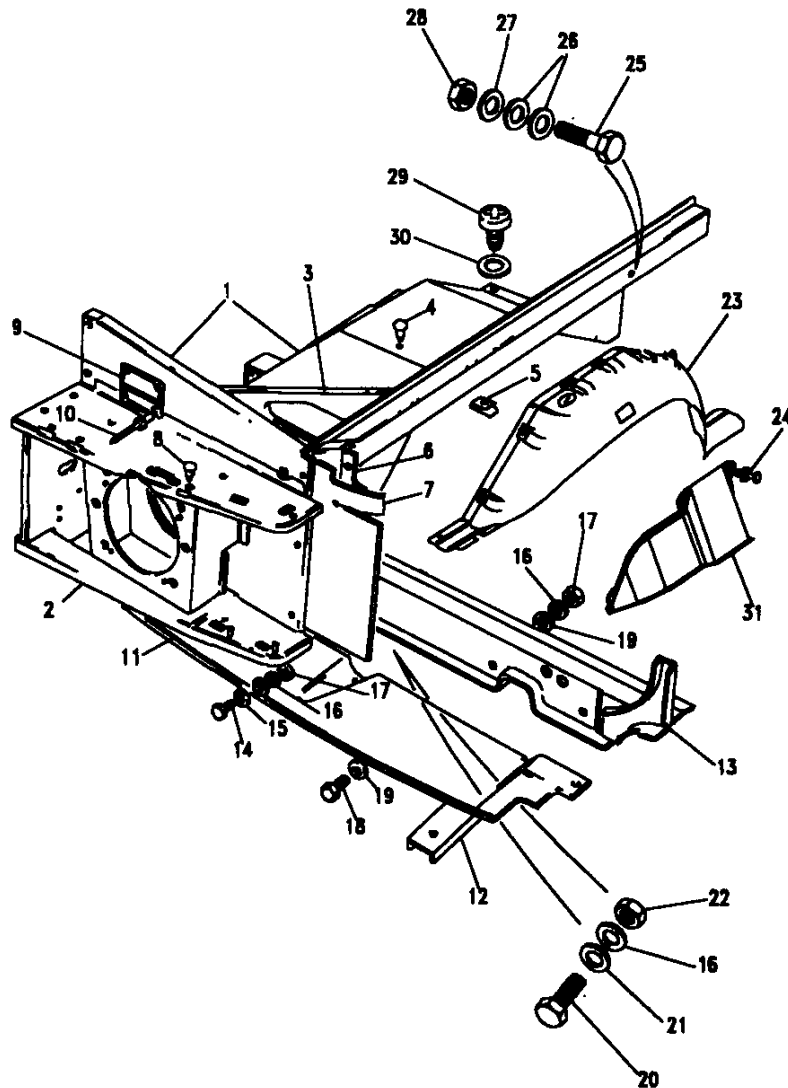
**Model** RANGE ROVER 1992 onwards  
**Page** BDNXBA2A

**BODY - BODYSHELL - 108" L.W.B.**

Ill. Part No.	Description	Qty	Remarks
1 STC1940	Bodyshell assembly	1	Up to KA647644
ALR4193	Bodyshell assembly	1	From MA647645

Note(1) For fixings to chassis see items 3 to 7 on page 605





**Model** RANGE ROVER 1992 onwards  
**Page** BDNXBE1A

**BODY FRAME - VALANCE & WHEELARCH**

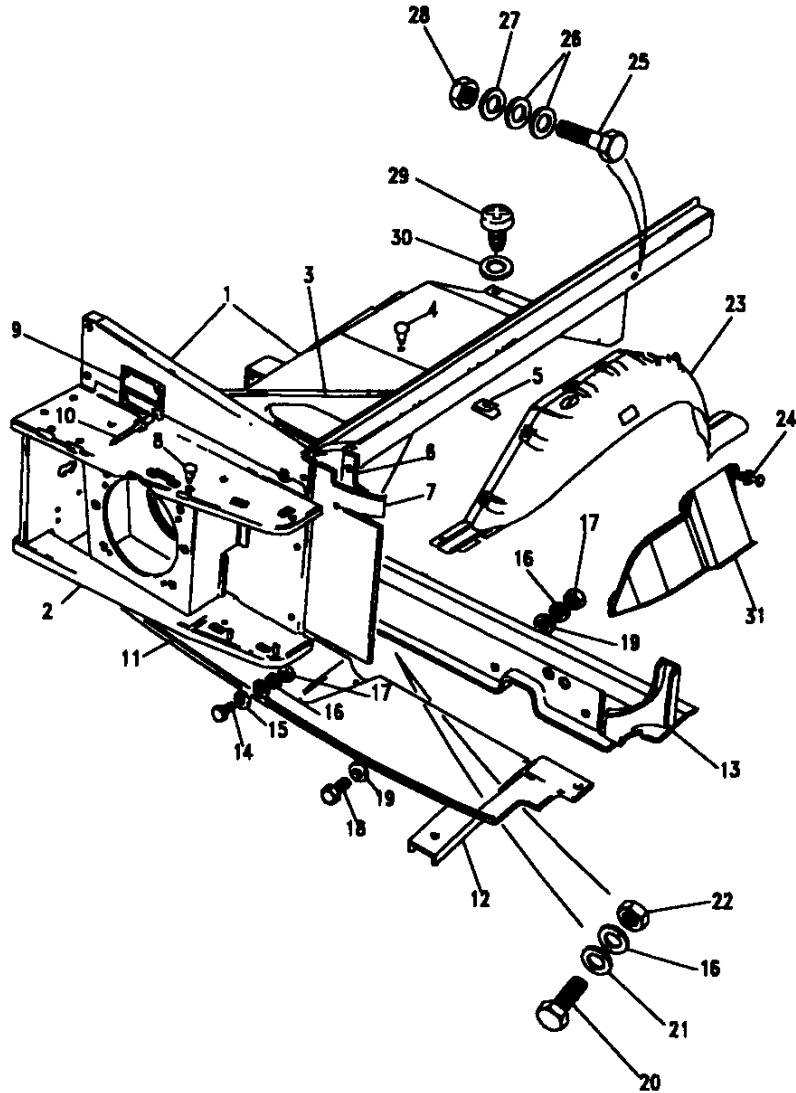
III. Part No.	Description	Qty	Remarks
<b>2 Door</b>			
1	MXC9792	1	)
	MXC9791	1	)Note(1)
	ALR3490	1	)
	ALR3489	1	)Note(4)
<b>4 Door</b>			
	MXC9296	1	)
	MXC9295	1	)Note(1)
	ALR3260	1	)
	ALR3259	1	)Note(2)
	ALR4188	1	)
	ALR4187	1	)Note(4)
<b>All variants</b>			
2	MXC9786	1	)
	MXC9785	1	)Note(1)
	ALR3502	1	)
	ALR3501	1	)Note(5)
3	ALR4468	1	)
	ALR4467	1	)Note(3)
	ALR6114	1	)
	ALR6113	1	)Note(4)

Note(1) Up to JA624755  
 Note(2) From KA624756 up to KA647644  
 Note(3) Up to KA647644  
 Note(4) From MA647645  
 Note(5) From KA624756



**Model** RANGE ROVER 1992 onwards  
**Page** BDNXBE1A

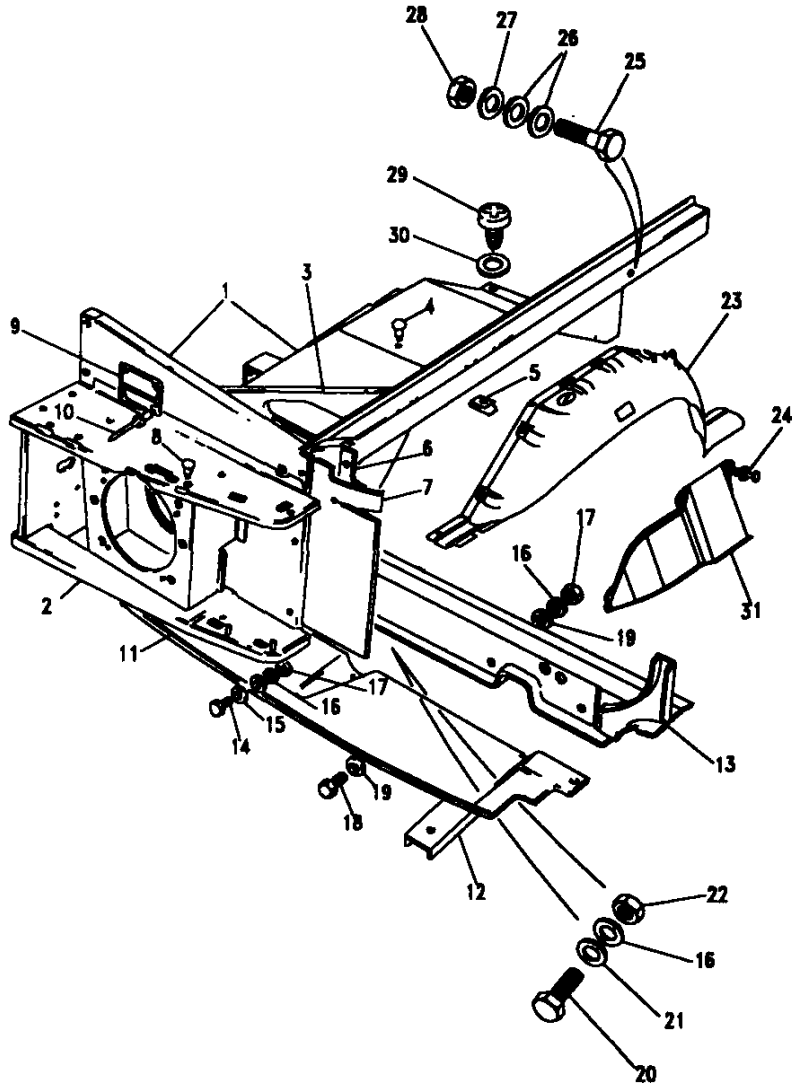
**BODY FRAME - VALANCE & WHEELARCH**



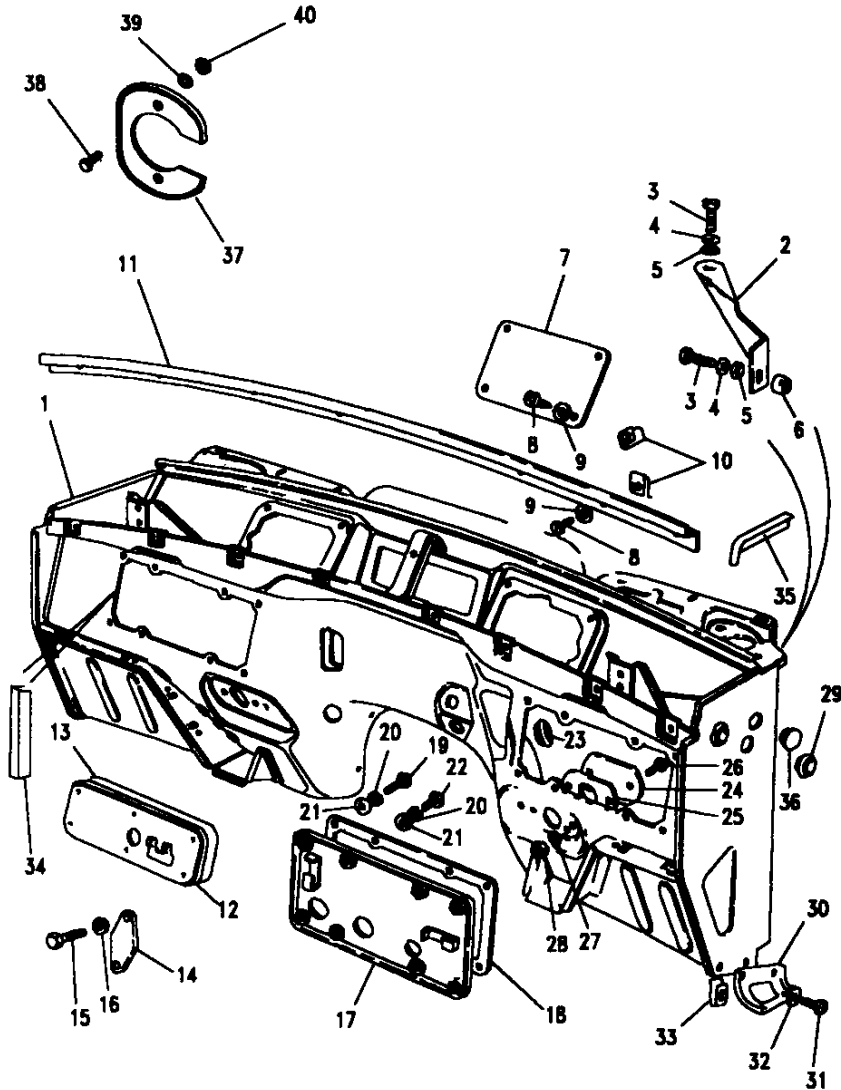
III. Part No.	Description	Qty	Remarks
4	312322	4	Buffer rubber
5	RTC3725	8	Clip
6	391277	2	Retainer
7	391141	2	Strip
8	307220	2	Plug rubber
9	396116	1	Warning plate
10	78257	4	Rivit
11	MXC1944	1	Panel closing
12	MTC5865	4	Plate
13	MXC5070	1	Crossmember front
14	255206	12	Screw
	255207	4	Screw
15	3831L	32	Washer plain
16	WM600041L	14	Washer spring
17	NH604041L	16	Nut
18	SH604051L	4	Screw
19	WA106041L	4	Washer plain
20	257017	2	Screw
21	4030L	2	Washer plain
22	257023	2	Nut
23	ALR2366	1	Liner wheelarch LH
	ALR2367	1	Liner wheelarch RH

**Model** RANGE ROVER 1992 onwards  
**Page** BDNXBE1A

**BODY FRAME - VALANCE & WHEELARCH**



III. Part No.	Description	Qty	Remarks
24	MXC3119	12	Clip
25	SH605161L	4	Bolt
26	RTC613	8	Washer plain
27	WM600051L	4	Washer spring
28	NH605041L	4	Nut
29	AB612041L	8	Screw
30	3031L	8	Washer plain
31	MXC9034	1	Liner wheelarch RH
	MXC9035	1	Liner wheelarch LH
	18123	A/R	Blanking Spots - Black
	19089	A/R	Blanking spots - Black



**Model** RANGE ROVER 1992 onwards  
**Page** BDNXBG1A

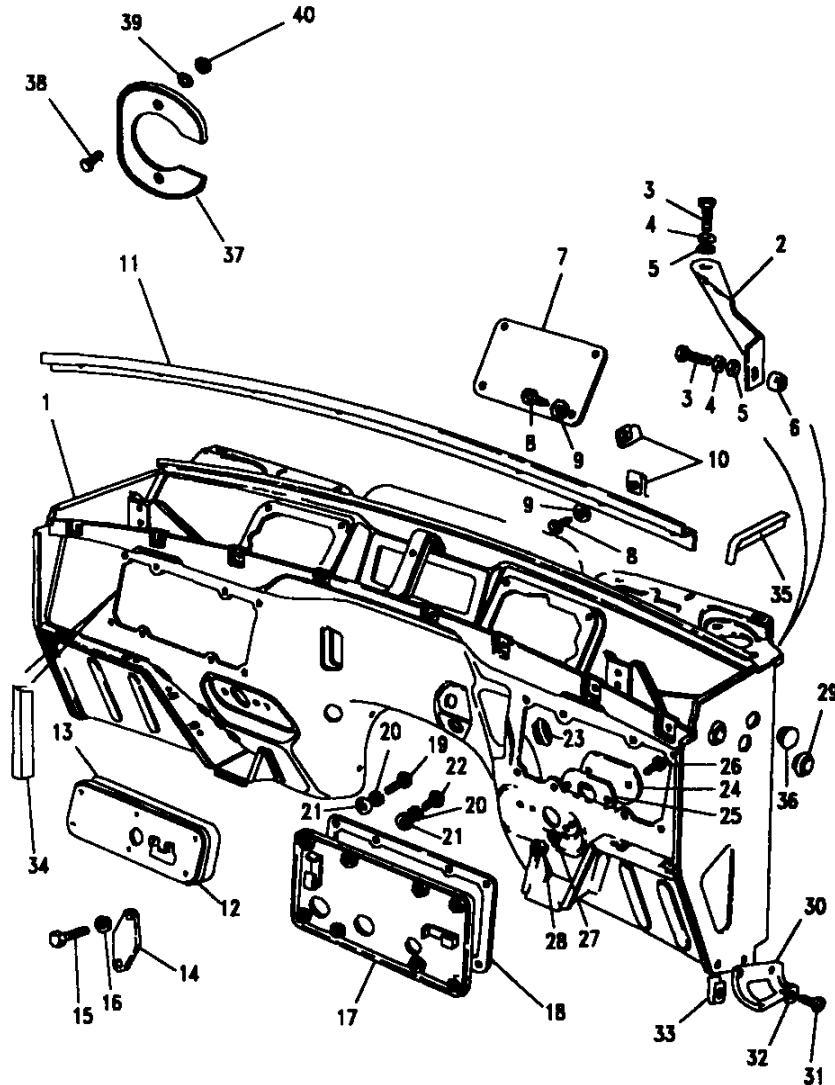
**BODY FRAME - DASH ASSEMBLY.**

III. Part No.	Description	Qty	Remarks
<b>2 Door</b>			
1 ALR1660	Dash assembly	1	Note(1)
ALR3518	Dash assembly	1	Note(2)
<b>4 Door</b>			
ALR1657	Dash assembly	1	Note(1)
MXC9771	Dash assembly	1	Note(2)
ALR4226	Dash assembly	1	Note(3)
<b>All variants</b>			
2 391462	Bracket	1	RHS
391461	Bracket	1	LHS
3 257015	Screw	2	
4 WM702001L	Washer spring	2	
5 WA702101L	Washer plain	2	
6 79239	Nutsert	1	
7 STC323	Plate cover	1	
8 AB612041L	Screw	12	
9 3831L	Washer plain	12	

Note(1) Up to JA624755  
 Note(2) From KA624756 up to KA647644  
 Note(3) From MA647645

**Model** RANGE ROVER 1992 onwards  
**Page** BDNXBG1A

**BODY FRAME - DASH ASSEMBLY.**

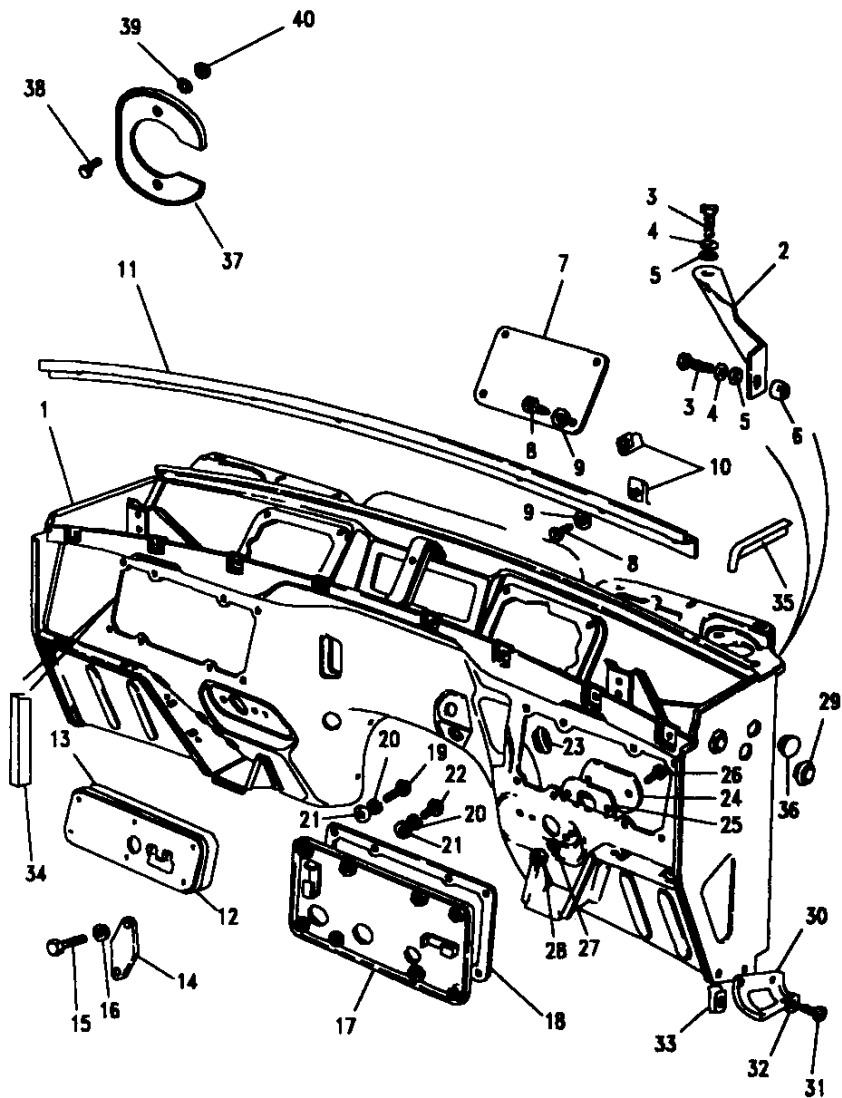


Ill. Part No.	Description	Qty	Remarks
10	AK612011L	12	
11	MUC5945	1	Up to LA647644
	ALR6898	1	From MA647645
12	MUC1723	1	
13	MUC1722	1	
14	NRC6855	1	
15	SH605061L	2	
16	1M600051L	2	
17	PRC7865	1	RHS
	PRC7863	1	LHS
18	572498	1	
19	SH605081L	2	
20	WM600051L	8	
21	WC112081L	8	
22	SH605051L	6	
23	338023	1	
24	575733	1	
25	575862	1	
26	SH605051L	2	
27	WM600051L	2	
28	NH605041L	2	
29	338020	2	
30	390384	1	
	390385	1	
31	AB612041L	4	

**Model** RANGE ROVER 1992 onwards  
**Page** BDNXBG1A

**BODY FRAME - DASH ASSEMBLY.**

III. Part No.	Description	Qty	Remarks
32	3831L	4	Washer plain
33	AK612011L	4	Nut
34	399518	1	Strip beading
35	391424	2	Seal
36	PRC7490	1	Plug blanking
37	BTR2458	1	Plate sealing
38	SH108451	2	Screw
39	WL108001L	2	Washer
40	FN108041L	2	Nut

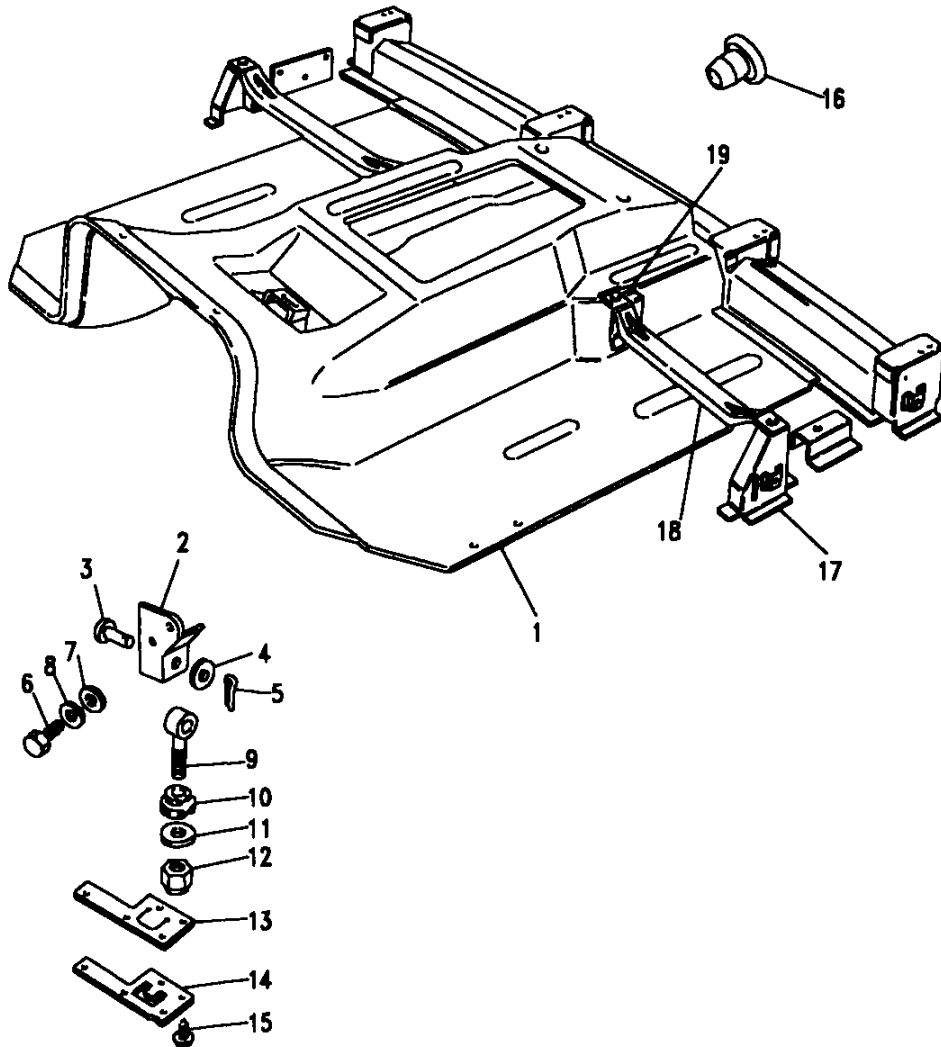


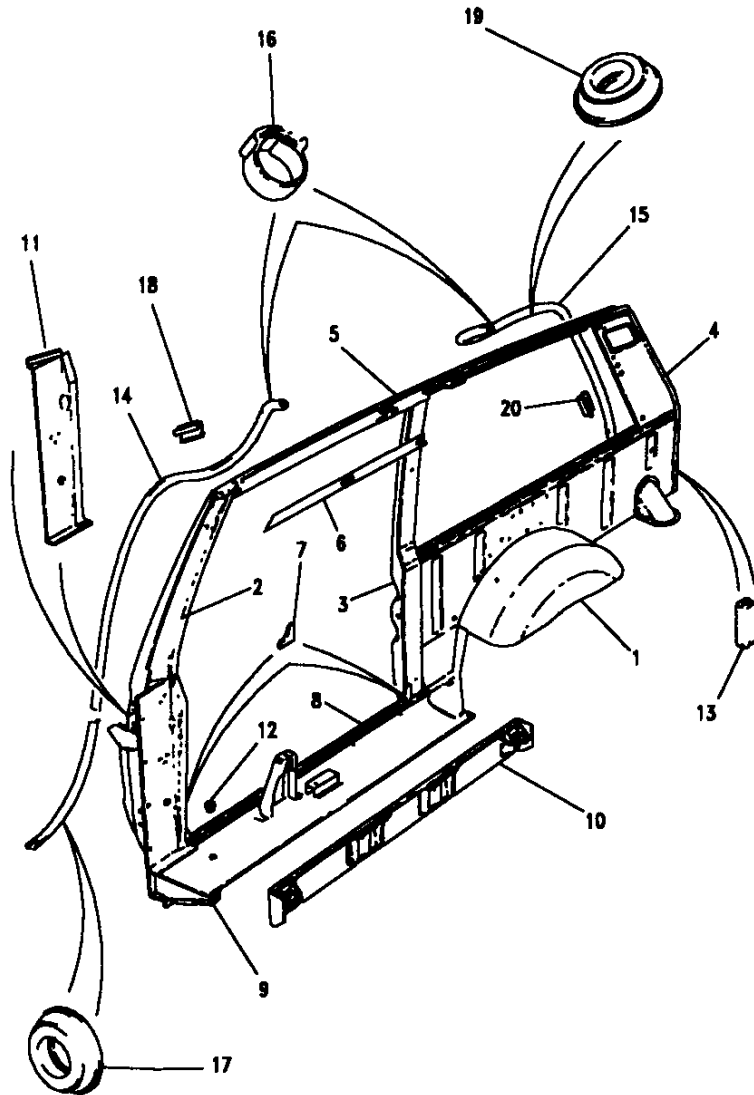
**Model** RANGE ROVER 1992 onwards  
**Page** BDNXB11A

**BODY FRAME - TUNNEL ASSEMBLY**

Ill. Part No.	Description	Qty	Remarks
1	ALR1622	1	Note(1)
	ALR3394	1	Note(2)
	ALR4231	1	Note(3)
2	577786	1	
	577787	1	
3	577259	2	
4	RTC611	2	
5	RTC601	2	
6	255207	4	
7	3831L	4	
8	WM600041L	4	
9	595099	2	
10	577255	2	
11	577254	2	
12	NY607041L	2	
13	577775	2	
14	577776	1	
	577777	1	
15	AB606031L	10	
16	MXC8709	A/R	
17	MWC2404	1	
	MWC2405	1	
18	MUC9536	1	
	MUC9537	1	
19	ALR1804	1	
	ALR1803	1	

Note(1) Up to JA624755  
 Note(2) From KA624756 up to KA647644  
 Note(3) From MA647645





**Model** RANGE ROVER 1992 onwards  
**Page** BDNXBK1A

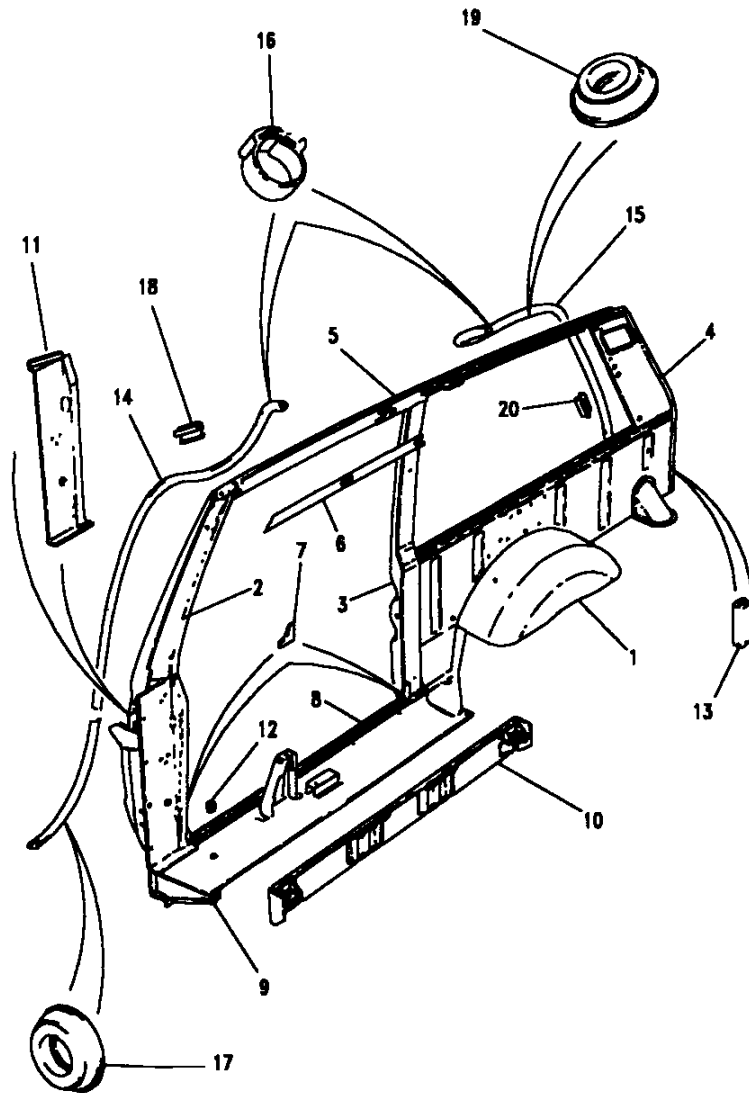
**BODY FRAME - BODYSIDE - 2 DOOR.**

III. Part No.	Description	Qty	Remarks
1	ALR3495	1	
	ALR3496	1	
2	MXC9566	1	
	MXC9567	1	
3	MWC6350	1	
	MWC6351	1	
4	MXC5462	1	)
	MXC5461	1	)Note(1)
	ALR4462	1	)
	ALR4461	1	)Note(2)
5	MXC9532	1	
	MXC9531	1	
6	MXC8940	1	
	MXC8939	1	
7	MWC9966	2	
8	MXC3918	1	)
	MXC3919	1	)Inner
9	390045	1	
	390046	1	
10	STC1136	1	
	STC1135	1	

Note(1) Up to JA624755  
 Note(2) From KA624756

**Model** RANGE ROVER 1992 onwards  
**Page** BDNXBK1A

**BODY FRAME - BODYSIDE - 2 DOOR.**



III. Part No.	Description	Qty	Remarks
11	MXC7927	1	
	MXC7926	1	
12	338023	2	
13	DRC1530	2	
14	MWC5964	2	Front
15	MWC5966	2	Rear
16	MWC5734	4	
17	ATU1040	4	
18	ADU8460L	10	
19	DRC1170L	6	

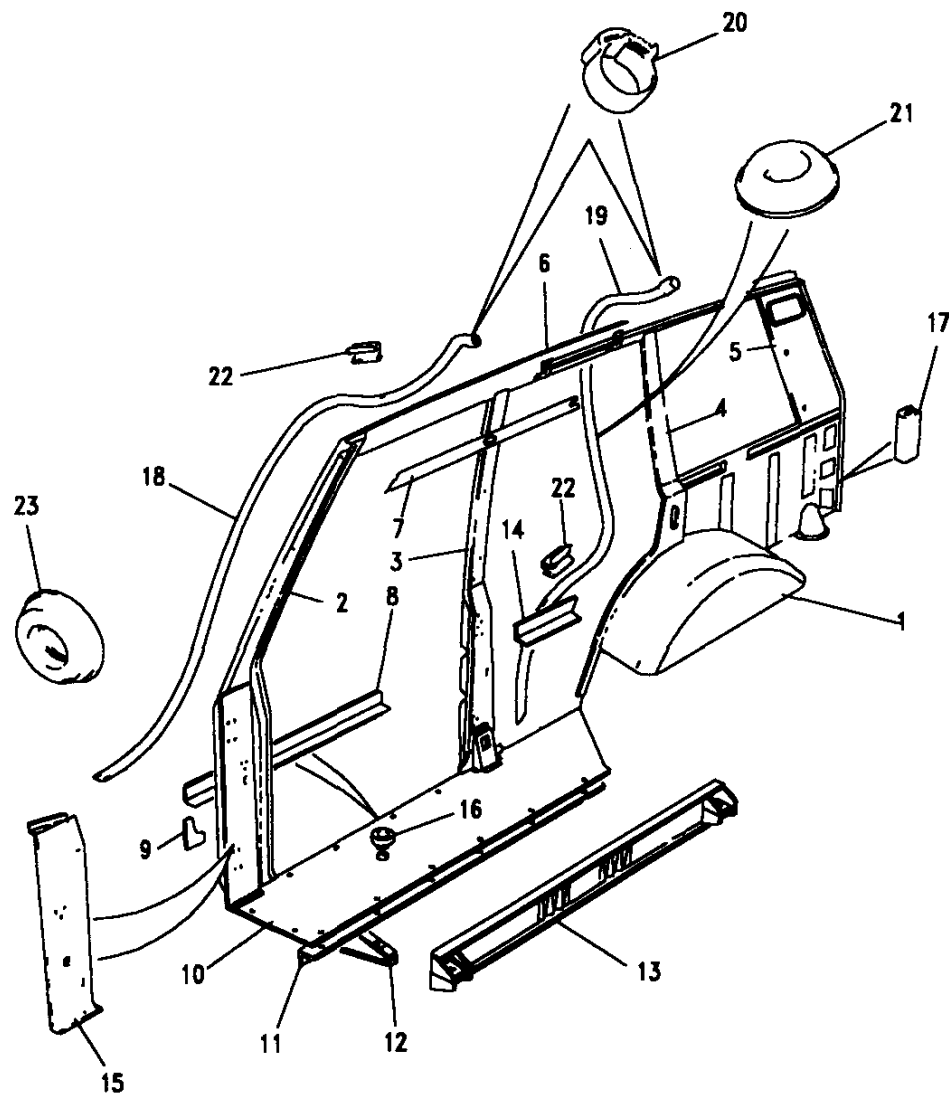


Model RANGE ROVER 1992 onwards  
 Page BDNXBM1A

**BODY FRAME - BODYSIDE - 4 DOOR.**

Ill. Part No.	Description	Qty	Remarks
1	ALR3411	1	Bodyside assembly LH
	ALR2046	1	Bodyside assembly RH
	ALR3412	1	Bodyside assembly RH
	ALR4190	1	Bodyside assembly RH
	ALR4189	1	Bodyside assembly LH
2	MXC9555	1	A post LH
	MXC9554	1	A post RH
	ALR6995	1	A post LH
	ALR6996	1	A post RH
3	ALR4458	1	BC post RH
	ALR4457	1	BC post LH
4	MXC9544	1	D post RH
	MXC9545	1	D post LH
5	ALR4462	1	Panel rear quarter RH
	ALR4461	1	Panel rear quarter LH
6	MXC9528	1	Cantrail RH
	MXC9527	1	Cantrail LH
7	MXC8940	1	Panel closing RH
	MXC8939	1	Panel closing LH
8	MTC9217	2	Flange Sill
9	MWC9966	2	Gusset
10	ALR3402	1	Sill panel
11	390049	1	Stiffener
	390050	1	Stiffener

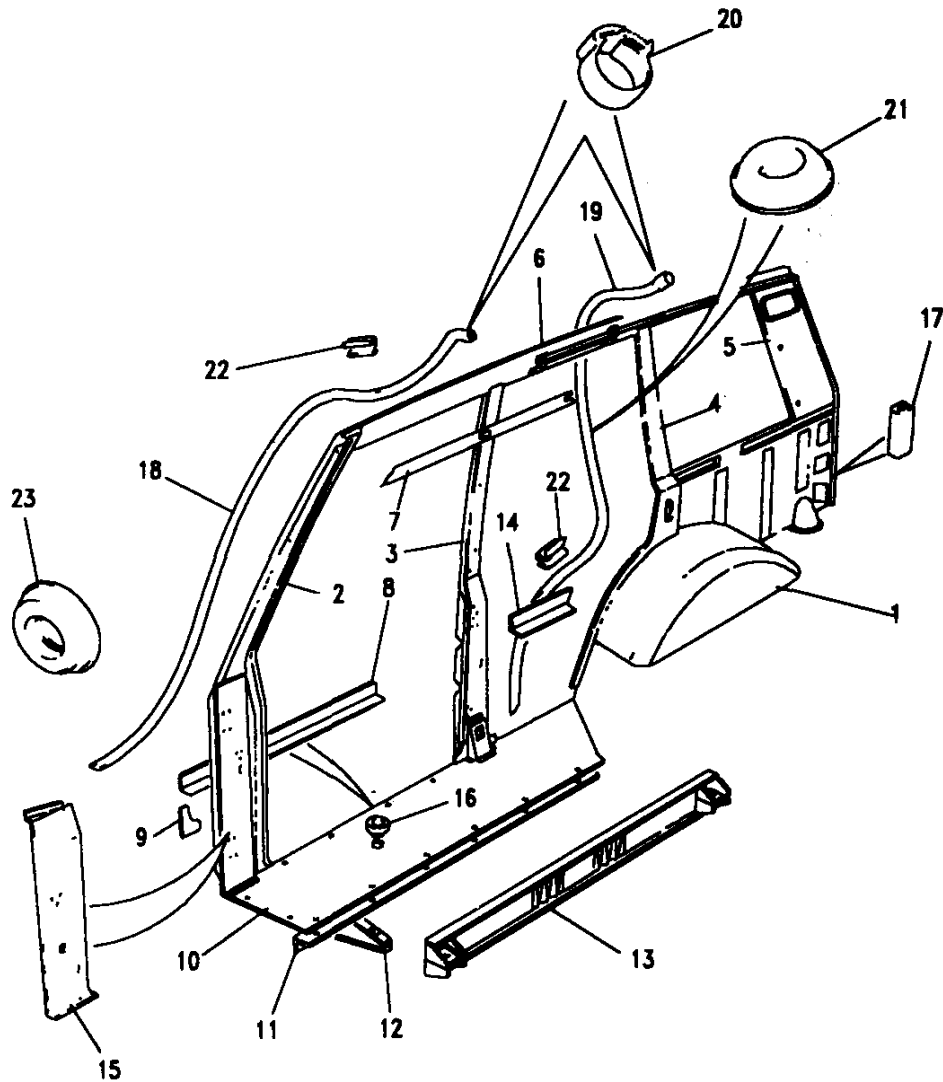
Note(1) Up to JA624755  
 Note(2) From KA624756 up to KA647644  
 Note(3) From LA647645



Model RANGE ROVER 1992 onwards  
 Page BDNXBM1A

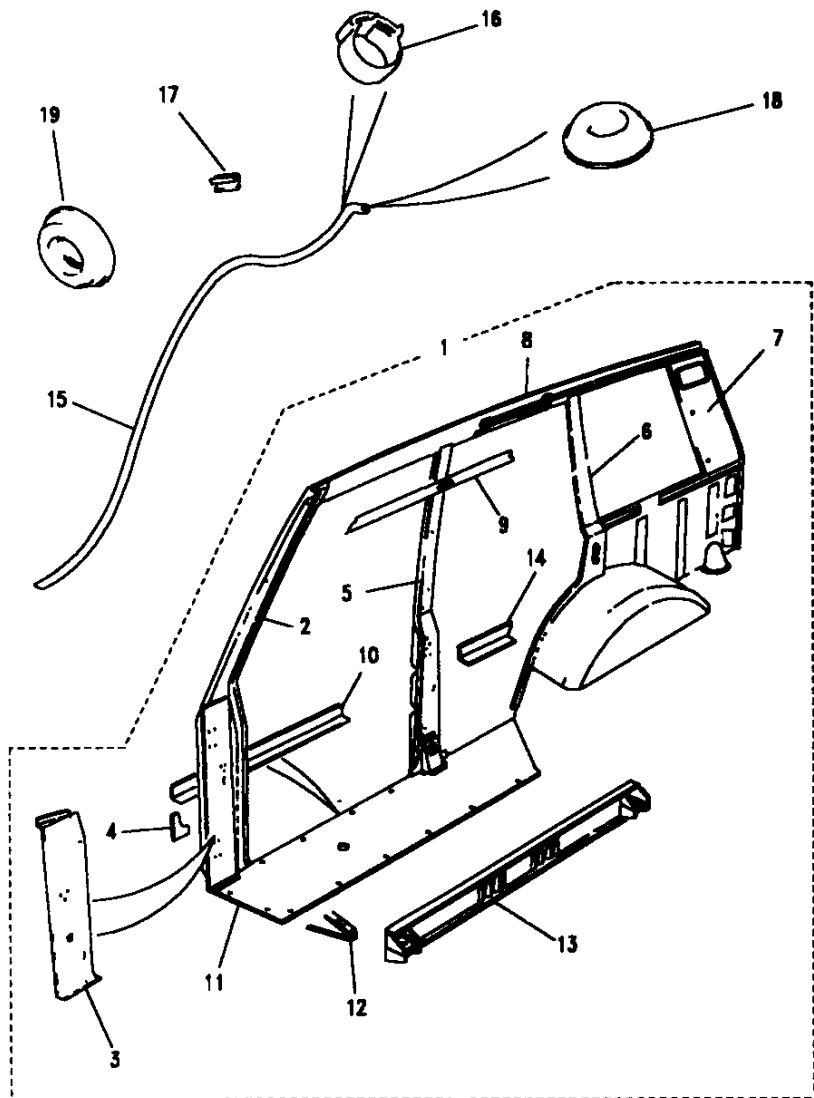
**BODY FRAME - BODYSIDE - 4 DOOR.**

III. Part No.	Description	Qty	Remarks
12 390045	Panel closing RH	1	
390046	Panel closing LH	1	
13 STC1134	Sill panel RH	1	
STC1133	Sill panel LH	1	
14 MTC9208	Flange sill RH	1	
MTC9207	Flange sill LH	1	
15 MXC8054	Closing panel A post RH	1	
MXC8053	Closing panel A post LH	1	
16 338023	Grommet	2	
17 DRC1530	Finisher	2	
18 MWC5964	Tube sunroof drain	2	Front
19 MWC5966	Tube sunroof drain	2	Rear
20 MWC5734	Clamp	4	
21 ADU8460L	Clip	10	
22 DRC1170L	Grommet	6	
23 ATU1040	Grommet	4	



**Model** RANGE ROVER 1992 onwards  
**Page** BDNXBM2A

**BODY FRAME - BODYSIDE - 108" LONG WHEEL BASE.**

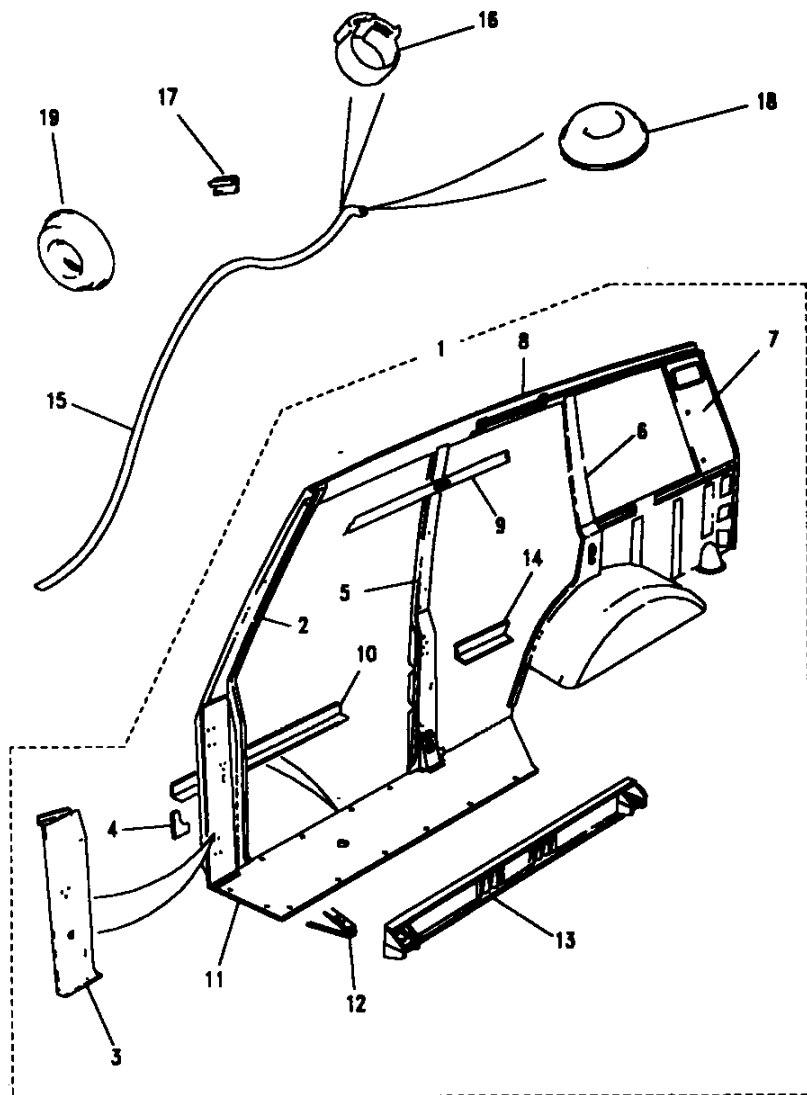


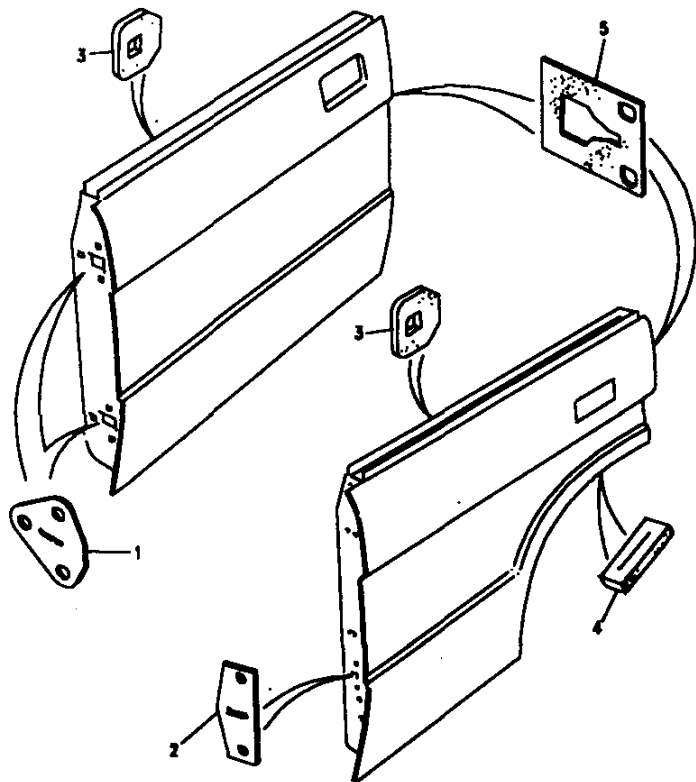
III. Part No.	Description	Qty	Remarks
1	ALR1937	1	)Up to
	ALR1942	1	)KA647644
	ALR4204	1	)From
	ALR4203	1	)MA647645
2	MXC9554	1	)Up to
	MXC9555	1	)KA647644
	ALR6996	1	)From
	ALR6995	1	)MA647645
3	MXC8054	1	Panel closing A post RH
	MXC8053	1	Panel closing A post LH
4	MWC9966	2	Gusset
5	ALR4458	1	BC post RH
	ALR4457	1	BC post LH
6	MXC9544	1	D post RH
	MXC9545	1	D post LH
7	ALR4462	1	Panel rear quarter RH
	ALR4461	1	Panel rear quarter LH
8	ALR1486	1	Cantrail assembly RH
	ALR1487	1	Cantrail assembly LH
9	MXC8940	1	Panel closing RH
	MXC8939	1	Panel closing LH
10	MTC9217	1	Flange sill - Front

**Model** RANGE ROVER 1992 onwards  
**Page** BDNXBM2A

**BODY FRAME - BODYSIDE - 108" LONG WHEEL BASE.**

III. Part No.	Description	Qty	Remarks
11 ALR3414	Sill panel	1	
12 390045	Panel closing	1	
390046	Panel closing	1	
13 ALR1931	Sill panel RH	1	
ALR1946	Sill panel LH	1	
14 ALR1803	Flange sill - Rear	2	
15 MWC5964	Sunroof drain tube	1	Front
ALR1518	Sunroof drain tube	1	Rear
16 MWC5734	Clamp	2	
17 ADU8460L	Clip	A/R	
18 DRC1170L	Grommet	2	
19 ATU1040	Grommet	2	





**Model** RANGE ROVER 1992 onwards  
**Page** BDNXBM3A

**BODY - DUST PROOFING SEALS.**

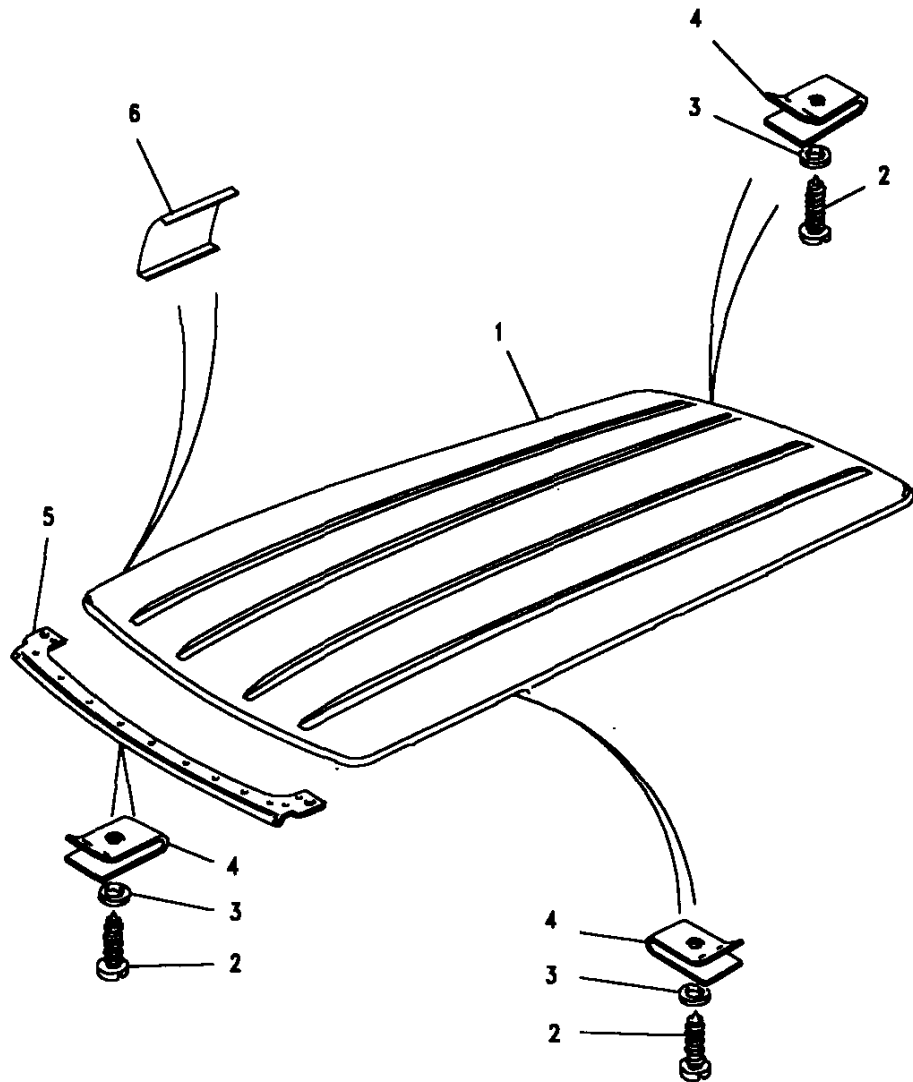
III. Part No.	Description	Qty	Remarks
1 MUC1818	Seal check strap	4	
2 MUC1819	Seal check strap	2	
3 MUC1839	Seal remote handle	4	
4 MUC1820	Seal child proof lock	2	
5 MUC1822	Seal door latch	4	

**Model** RANGE ROVER 1992 onwards  
**Page** BDNXP1A

**BODY - ROOF PANEL - NON SUNROOF.**

III. Part No.	Description	Qty	Remarks
1	RTC6341 Roof Assembly	1	
2	AB612061L Screw	50	Note(1)
	AB612051L Screw	50	Note(2)
3	3831L Washer plain	50	Note(1)
	WA106041L Washer plain	50	Note(2)
4	AFU1016 Nut	50	
5	MXC8920 Panel header	1	Up to KA647644
	ALR5732 Panel header	1	From MA647645
6	390159 Clip	4	

Note(1) Up to JA624755  
 Note(2) From KA624756

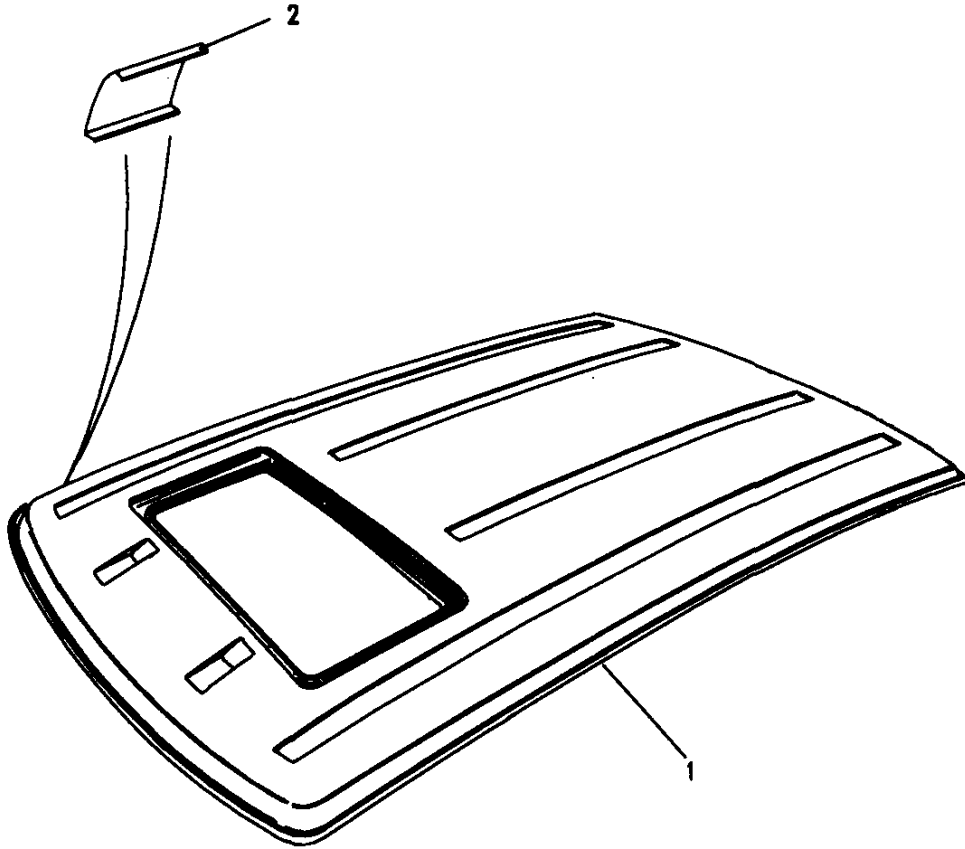


**Model** RANGE ROVER 1992 onwards  
**Page** BDNXBP2A

**BODY - ROOF PANEL - SUN ROOF.**

III. Part No.	Description	Qty	Remarks
1 ALR4848	Roof assembly	1	
<b>108" L.W.B.</b> 1 ALR4850	Roof assembly	1	
<b>All variants</b> 2 390159	Clip	4	

Note(1) For fixings see page 603

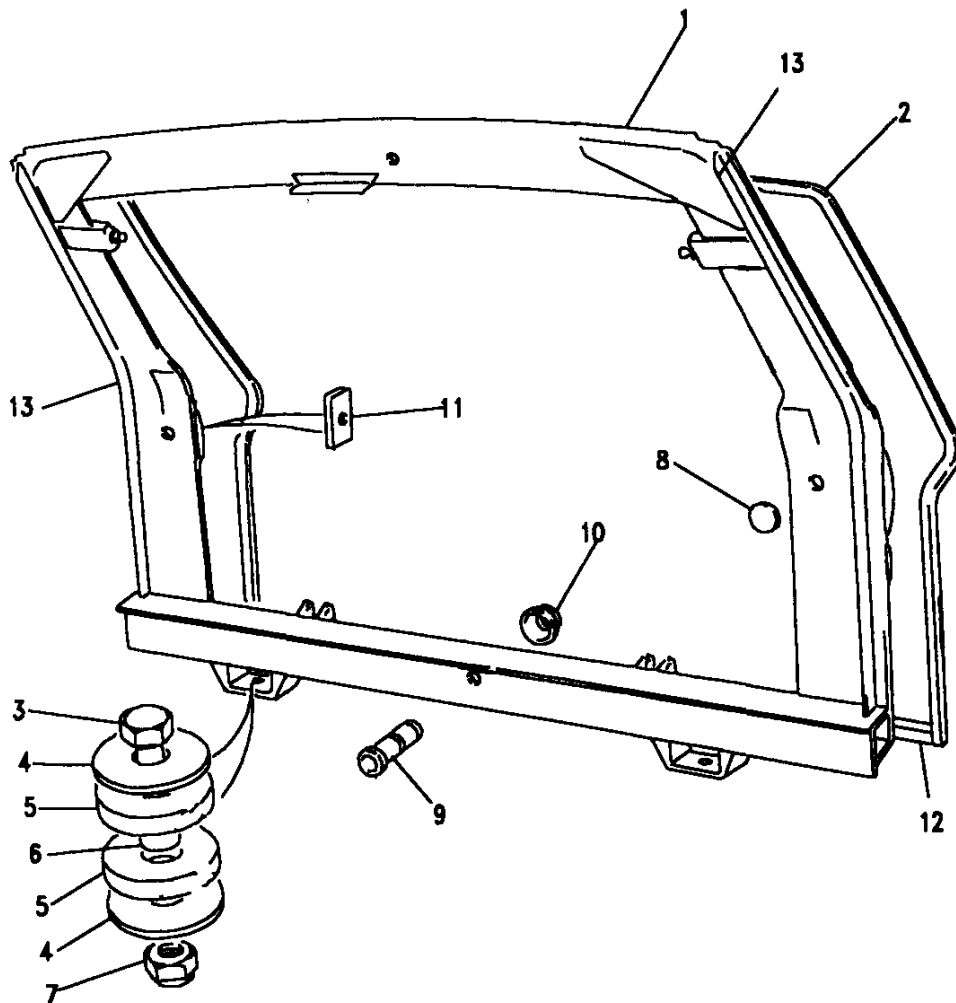


**Model** RANGE ROVER 1992 onwards  
**Page** BDNXBR1A

**BODY FRAME - REAR END STRUCTURE.**

III. Part No.	Description	Qty	Remarks
1 ALR3185	End Structure	1	
2 MTC2398	Seal	1	Note(1)
ALR3213	Seal tailgate	1	Note(2)
3 595098	Bolt	10	
4 568580	Washer special	20	
5 572295	Washer rubber	20	Note(1)
ANR1504	Washer rubber	20	Note(2)
6 566581	Tube spacer	10	
7 NY606041L	Nut	10	
8 392687	Plug	4	
9 391129	Bush	1	
10 391130	Retainer	1	
11 MWC2692	Plate	2	
12 MXC9584	Lower seal tailgate	1	Note(3)
13 MUC6260	Angle RH	1	
MUC6261	Angle LH	1	

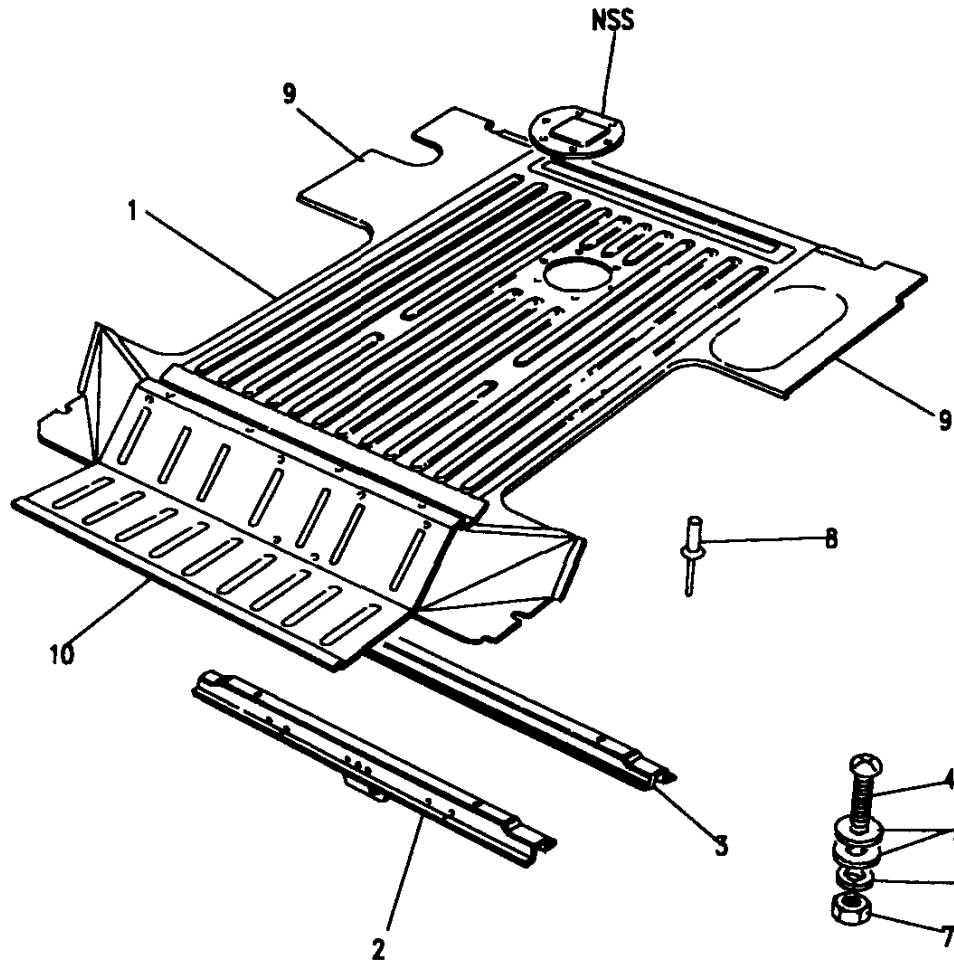
Note(1) Up to JA624755  
 Note(2) From KA624756  
 Note(3) Not used from KA624756 - tailgate seal now 1 piece.





**Model** RANGE ROVER 1992 onwards  
**Page** BDNXBT1A

**BODY - REAR FLOOR**

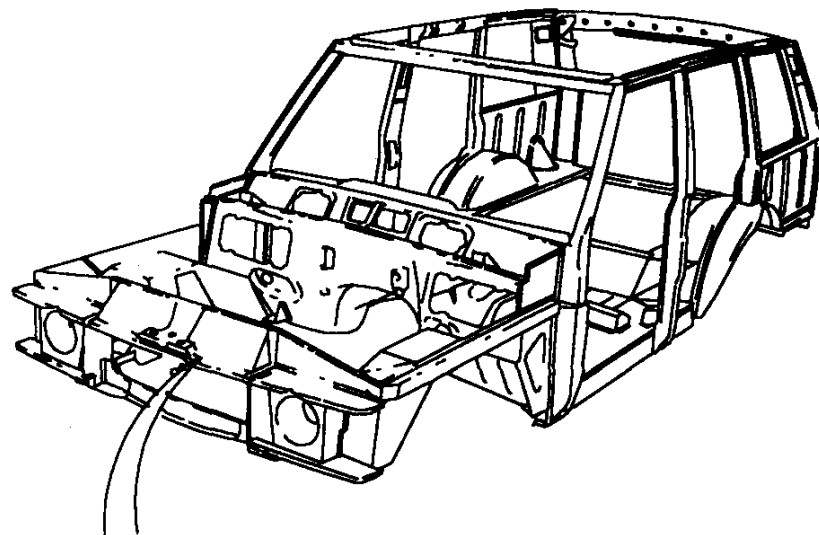


III. Part No.	Description	Qty	Remarks
<b>Non LWB only</b>			
1 ALR1635	Floor panel assembly	1	
<b>108" LWB only</b>			
ALR1967	Floor panel assembly	1	
<b>All variants</b>			
2 MXC7154	Front crossmember	1	
3 MXC7155	Rear crossmember	1	
4 79042	Screw	4	
5 3831L	Washer	8	
6 WM600041L	Washer spring	4	
7 NH604041L	Nut	4	
8 RU612253	Rivet	A/R	
9 MXC8058	Panel outer RH	1	)Note(1)
MXC8059	Panel outer LH	1	
ALR4019	Panel outer RH	1	)Note(2)
ALR1639	Panel outer LH	1	
10 ALR2056	Heelboard	1	

Note(1) Up to JA624755  
 Note(2) From KA624756

Model RANGE ROVER 1992 onwards  
 Page BDNXBV2A

**BODY - BODY COLOUR LABELS**



BODY COLOUR IDENTIFICATION	
MUC 6628	TASMAN RTC4049A AEROSOL
BLUE	RTC4049T TOUCH-UP
RANGE ROVER	

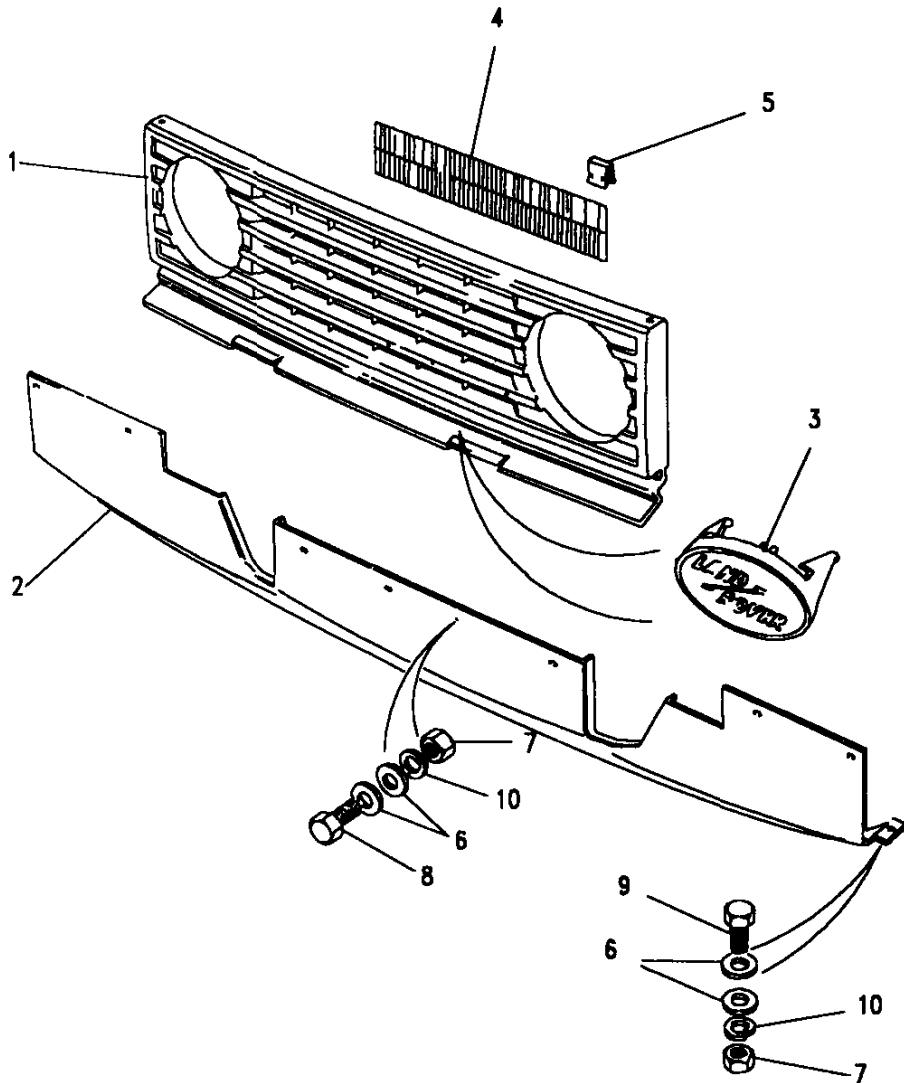
III. Part No.	Description	Qty	Remarks
MWC5362	Label - Portofino red	1	
MWC5363	Label - Shire blue	1	
MWC5364	Label - Colorado silver	1	
MWC5365	Label - Alaskan blue	1	
MWC6218	Label - Trocadero red	1	
MWC6219	Label - Arran beige	1	
MWC6220	Label - Cairngorm brown	1	
MWC6221	Label - Eastnor green	1	
MXC1399	Label - Beluga black	1	
MXC5508	Label - Plymouth blue	1	
MXC5508	Label - Aries blue	1	
MXC5957	Label - Westminster grey	1	
MXC6069	Label - Ardennes green	1	
MXC8903	Label - Pembroke grey	1	
MXC2822	Label - Alpine white	1	
MXC2823	Label - Roman bronze	1	
MXC9222	Label - Tintern	1	
MXC9223	Label - Aegean	1	
ALR3262	Label - Sonoran	1	
ALR3264	Label - Mosswood	1	
ALR5903	Label - Coniston green	1	
ALR5904	Label - Montpellier red	1	
ALR5905	Label - Carmen pearl	1	
ALR5906	Label - B.R. Green	1	
ALR5907	Label - Brooklands green	1	
ALR5908	Label - Cornish cream	1	
ALR6105	Label - Caprice	1	
ALR6104	Label - Slate grey	1	
ALR6103	Label - Niagara	1	
ALR6102	Label - Avalon	1	
ALR6101	Label - Willow	1	

**Model** RANGE ROVER 1992 onwards  
**Page** BDNXDA1A

**EXTERIOR PANELS - GRILLE & HEADLAMP SURROUND.**

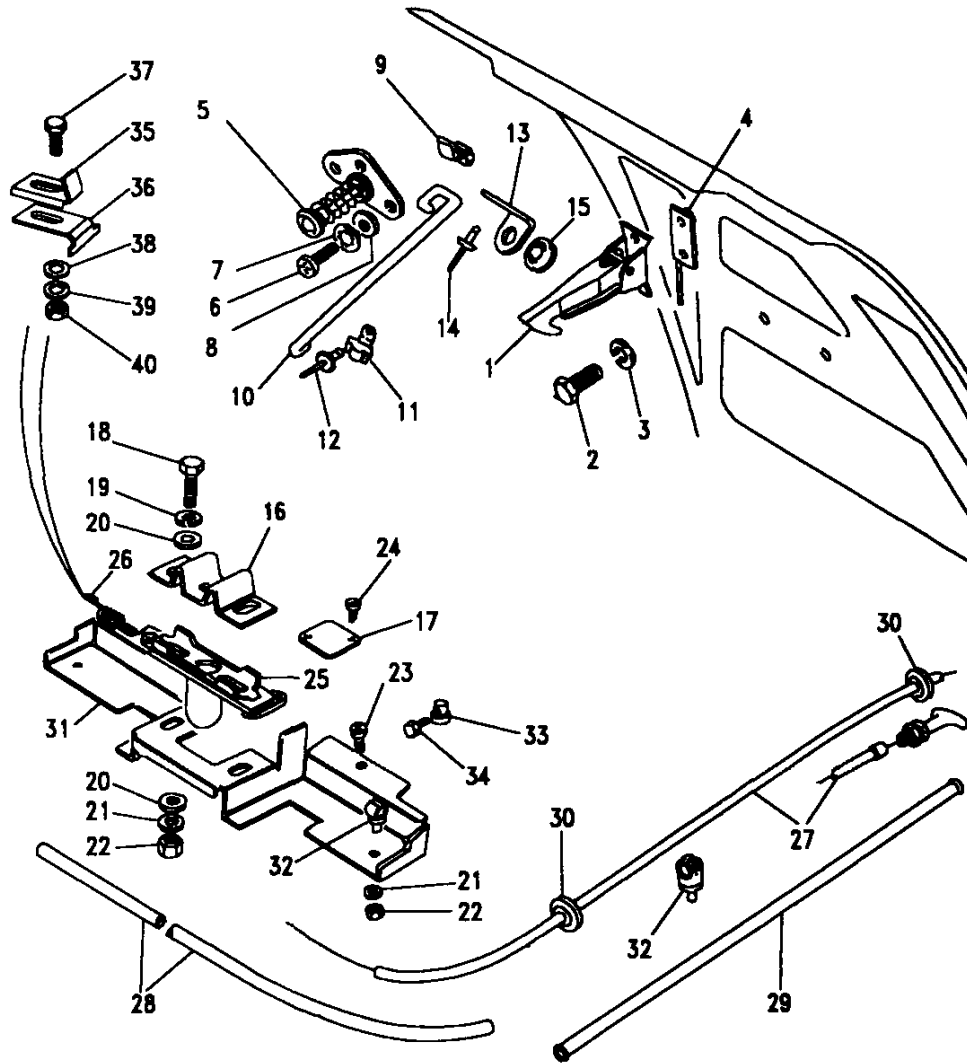
III. Part No.	Description	Qty	Remarks
1 BTR451	Grille panel	1	
2 MXC1959	Panel lower	1	
3 MXC3374	Badge grille	1	Note(2)
BTR8068	Badge grille	1	Note(3)
4 MXC3070	Guard	1	)
5 MXC3133	Clip	6	)Note(1)
6 MRC5528	Washer plain	16	
7 NH604041L	Nut	8	
8 SH604061L	Screw	6	
9 SH604081L	Screw	2	
10 WM600041L	Washer spring	8	

Note(1) Only fitted up to JA624755  
 Note(2) Up to KA629455  
 Note(3) From KA629456



Model RANGE ROVER 1992 onwards  
 Page BDNXDC1A

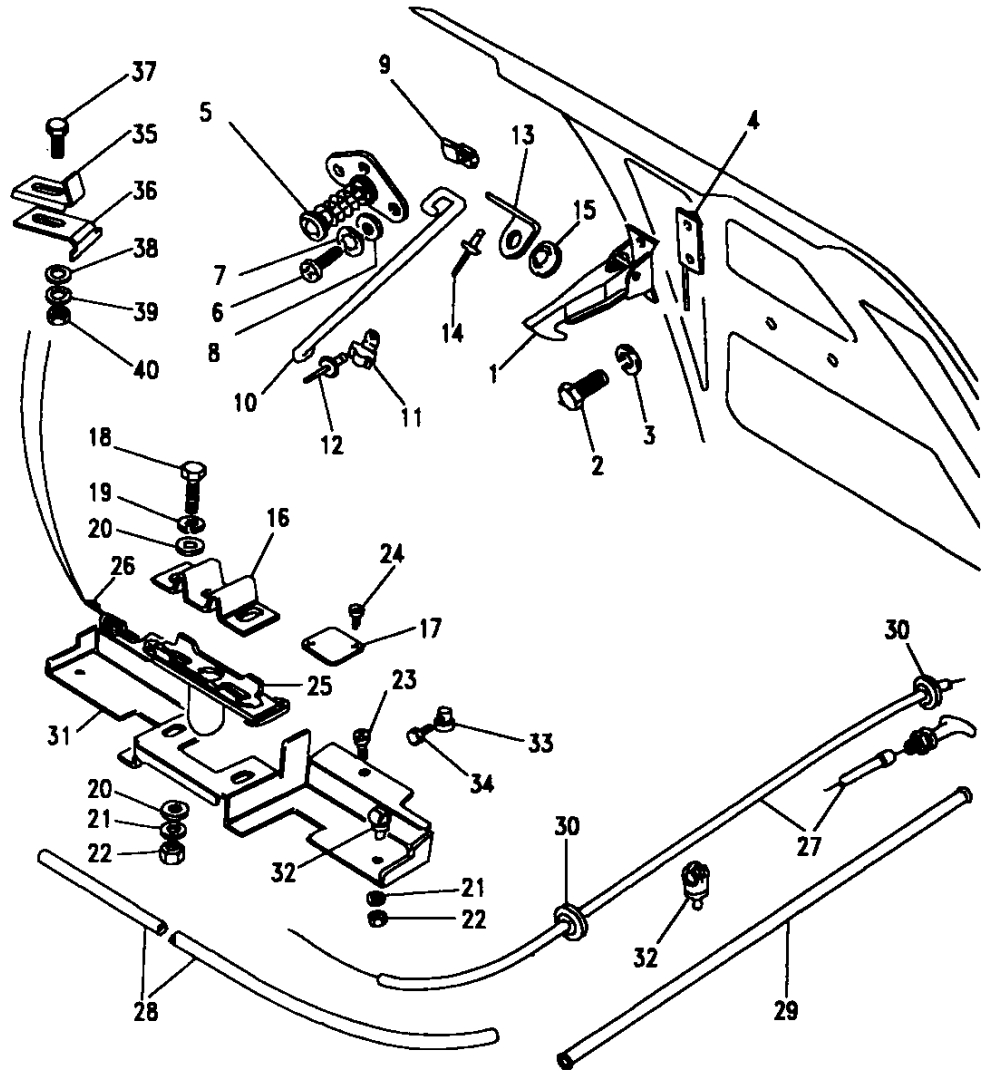
EXTERIOR PANELS - BONNET LOCK.



III. Part No.	Description	Qty	Remarks
1	MWC4332	1	Hook
2	SE105161L	2	Screw
3	WM702001L	2	Washer plain
4	MWC3389	1	Plate
5	MWC8193	1	Striker bonnet
6	255207	3	Screw
7	WF600041L	3	Washer
8	RTC818	3	Washer plain
9	346073	3	Nut
10	393202	1	Rod bonnet prop
11	MXC8710	1	Clip retaining
12	RTC3687	1	Rivet
13	391184	1	Bracket retaining
14	78257	4	Rivet
15	369746	1	Grommet
16	350343	1	Plate striker
17	MXC2775	1	Plate bonnet locking
18	SH106301L	2	Screw
19	WL106007L	2	Washer spring
20	WC106041L	4	Washer plain
21	WM600041L	2	Washer spring
22	NH604041L	2	Nut
23	SE106167	2	Screw
24	AR606031L	4	Screw

**Model** RANGE ROVER 1992 onwards  
**Page** BDNXDC1A

**EXTERIOR PANELS - BONNET LOCK.**

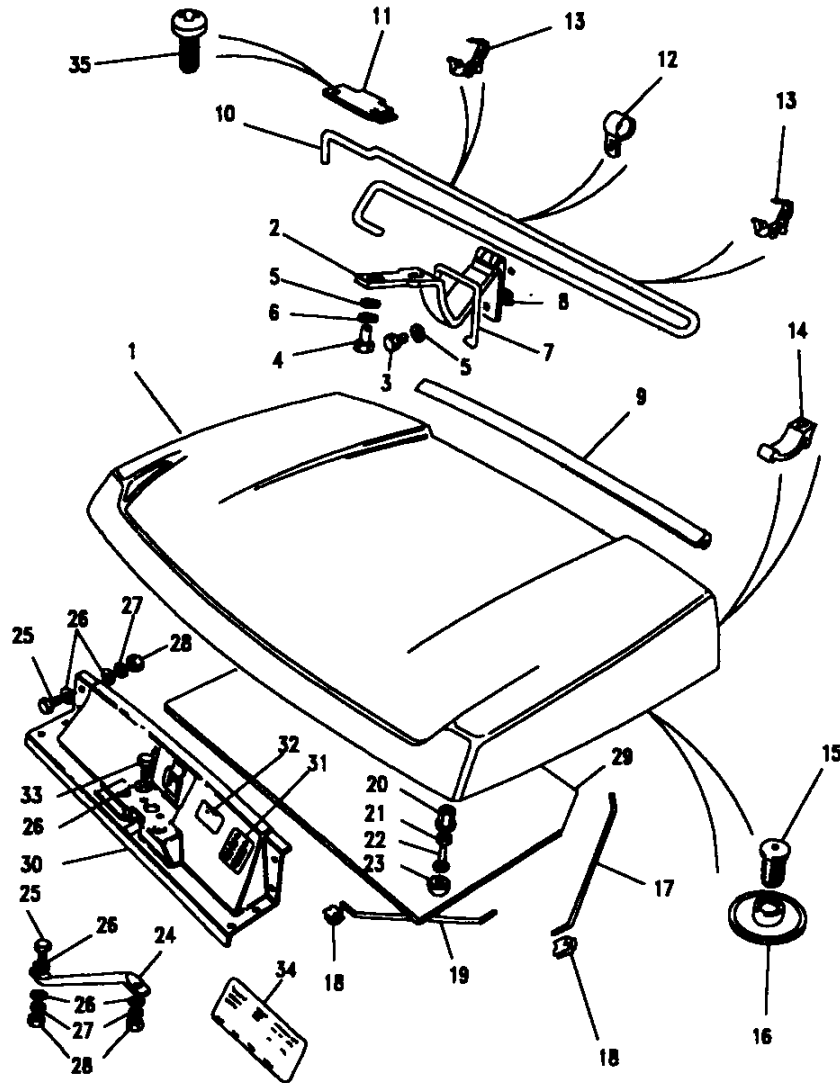


III. Part No.	Description	Qty	Remarks
25 368011	Bonnet catch RH	1	)
368012	Bonnet catch LH	1	)Note(1)
ALR2384	Bonnet catch RH	1	)
ALR2385	Bonnet catch LH	1	)Note(2)
STC924	Kit bonnet catch RH	1	)
STC925	Kit bonnet catch LH	1	)Note(3)
26 351991	Spring	1	
27 MWC2287	Cable bonnet release	1	Up to KA647644
MXC6324	Cable bonnet release	1	From MA647645
28 MXC2776	Pipe	1	
29 MXC2784	Tube	1	
MXC2777	Tube	1	
30 233244	Grommet	2	
31 MXC5604	Plate cover	1	
32 79122	Clip pipe	4	
33 356225	Nipple	1	
34 257194	Screw	1	
35 MWC3339	Catch plate	1	
36 393218	Adjustment plate	1	
37 FS106201L	Flange screw	1	
38 WA106041L	Washer plain	1	
39 WL106001	Washer spring	2	
40 NH106041L	Nut	1	

Note(1) Up to JA618020  
 Note(2) From JA618021 up to KA637569  
 Note(3) From KA637570

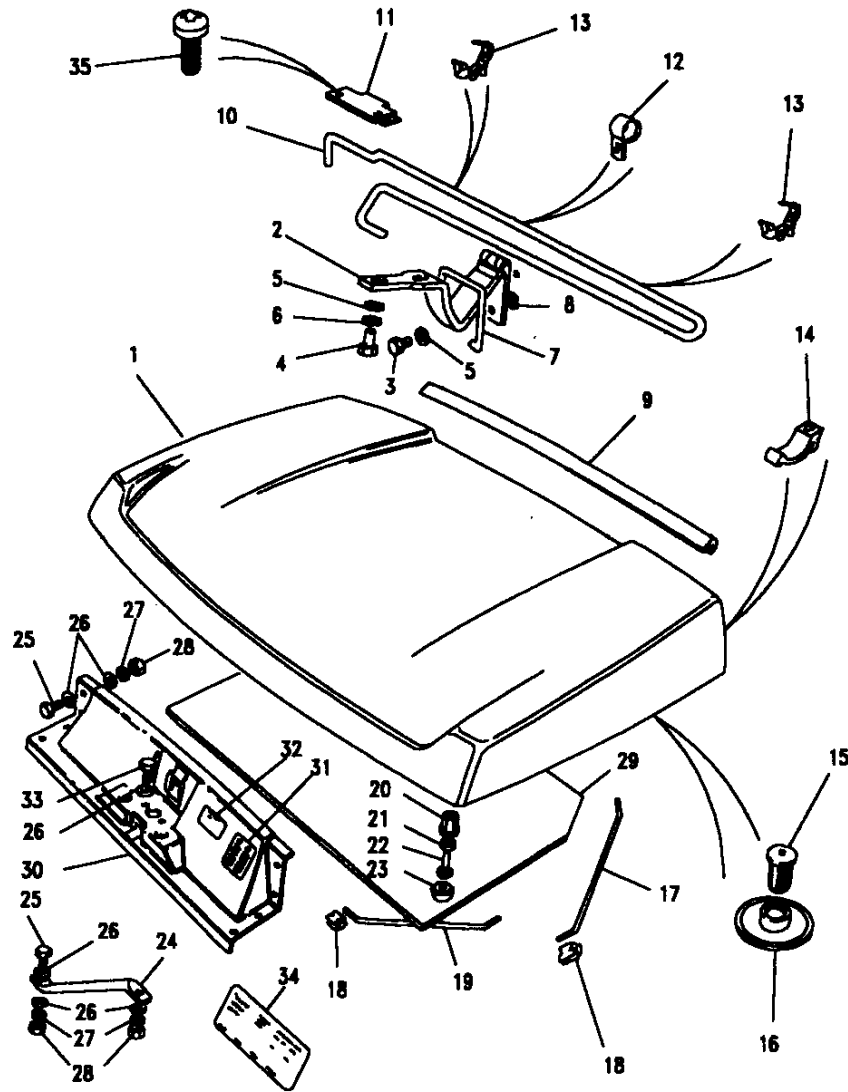
**Model** RANGE ROVER 1992 onwards  
**Page** BDNXDE1A

**EXTERIOR PANELS - BONNET & LOCKING PLATFORM.**



III. Part No.	Description	Qty	Remarks
1	RTC6368	1	Note(1)
	ALR3503	1	Note(2)
	STC1653	1	Note(3)
2	MWC2680	2	Up to KA646330
	ALR5844	2	From MA646331
3	SH108151L	2	
4	SH108251L	4	
5	WA108251L	6	
6	WM600051L	4	
7	MWC2486	2	
8	MWC4560	6	
9	MUC3717	1	
10	MUC5482	2	
11	MXC5230	2	
12	13H8702L	2	
13	MXC3426	2	
14	MTC6928	2	A/R
15	MTC7171	A/R	
16	MTC6927	A/R	
17	MWC4875	2	

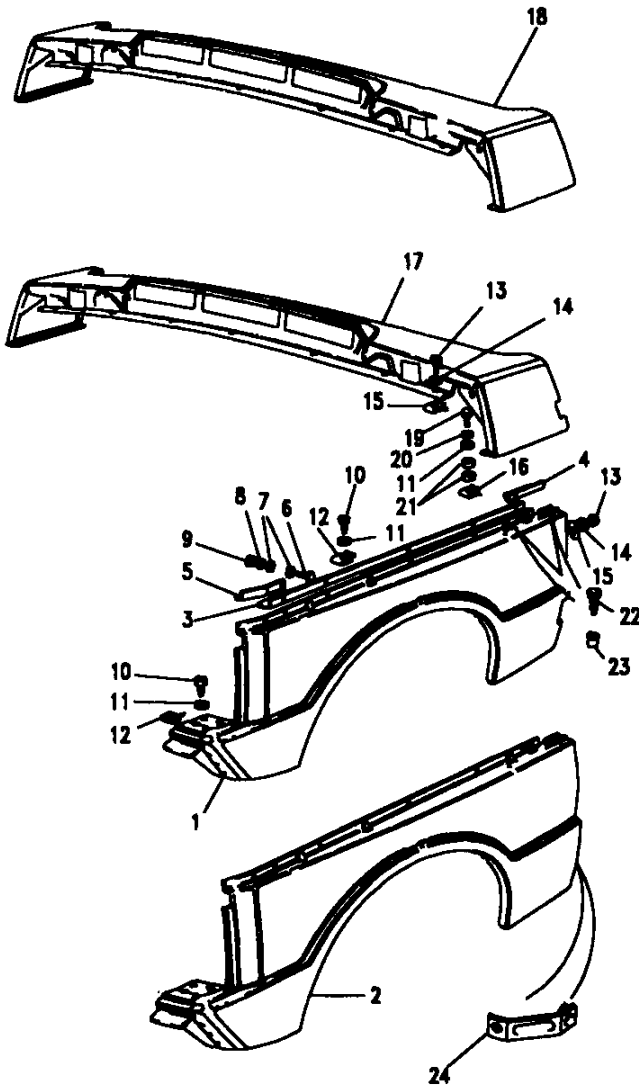
Note(1) Up to JA624755  
 Note(2) From KA624756 up to KA647644  
 Note(3) From MA647645



**Model** RANGE ROVER 1992 onwards  
**Page** BDNXDE1A

**EXTERIOR PANELS - BONNET & LOCKING PLATFORM.**

Ill. Part No.	Description	Qty	Remarks
18 369092	Clip spring	2	Rear
19 392147	Rod retaining	2	
20 ATU1029	Retainer	2	
21 NY108041L	Nut	2	
22 SH108251L	Bolt	2	
23 391287	Buffer rubber	2	
24 MXC5603	Cross Brace	2	
25 255206	Screw	5	
26 3831L	Washer plain	16	
27 WM600041L	Washer spring	8	
28 NH604041L	Nut	8	
29 MXC5027	Insulation bonnet	1	Up to KA647644
BTR8770	Insulation bonnet	1	From MA647645
30 MXC6500	Platform bonnet locking	1	Up to KA647644
ALR4195	Platform bonnet locking	1	From MA647645
31 MRC168	Label Suppression	1	
32 BTR358	Label genuine parts	1	
33 255211	Screw	1	
<b>Sweden only</b>			
34 BTR752	Label emissions 3.9L	1	1992MY
BTR8083	Label emissions 3.9L	1	)
BTR8084	Label emissions 4.2L	1	)1993MY
BTR8244	Label emissions 3.9L	1	1995MY
35 SE604101L	Screw	4	

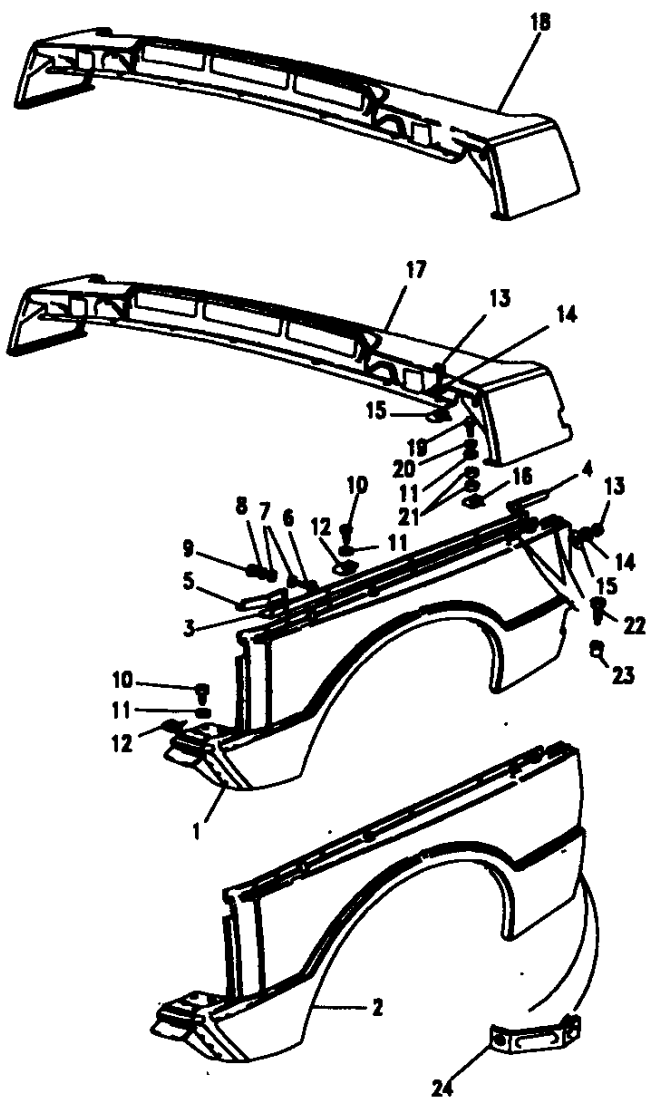


**Model** RANGE ROVER 1992 onwards  
**Page** BDNXE1A

**EXTERIOR PANELS - FRONT WINGS & DECK PANEL.**

Ill. Part No.	Description	Qty	Remarks
<b>2 Door</b>			
1	STC730	1	Wing front LH
	STC729	1	Wing front RH
<b>4 Door</b>			
2	MXC1409	1	Wing front LH
	MXC1408	1	Wing front RH
<b>All variants</b>			
3	390123	1	Angle RH
	390124	1	Angle LH
4	391317	2	Extension
5	391139	1	Angle RH
	391140	1	Angle LH
6	SH605051L	10	Screw
7	RTC813	20	Washer plain
8	WM600051L	10	Washer spring
9	NH805041L	10	Nut
10	AB612051L	14	Screw
11	3831L	A/R	Washer plain
12	79019	14	Clip
13	AB612041L	13	Screw
14	3831L	4	Washer
15	RTC3725	13	Clip
16	NK106087L	4	Clip



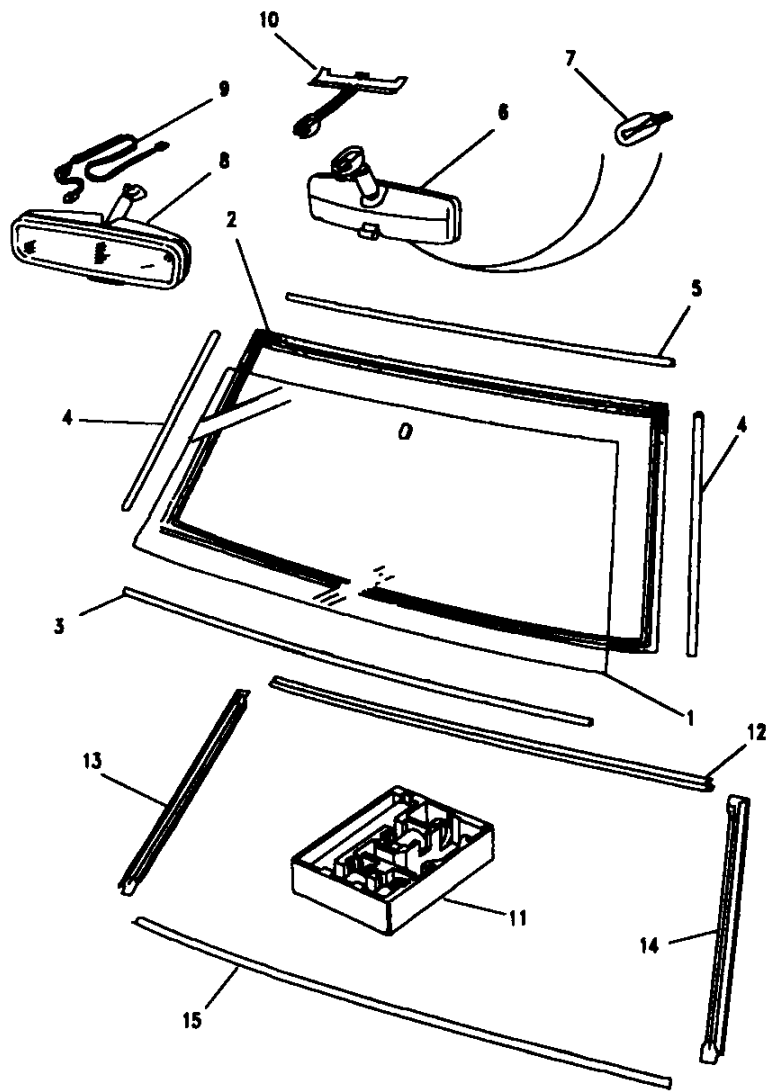


**Model** RANGE ROVER 1992 onwards  
**Page** BDNXE1A

**EXTERIOR PANELS - FRONT WINGS & DECK PANEL.**

III. Part No.	Description	Qty	Remarks
<b>2 Door LHS</b>			
17 MXC8061	Decker panel	1	Note(1)
ALR2215	Decker panel	1	Note(3)
ALR6138	Decker panel	1	Note(4)
<b>4 Door RHS</b>			
18 MXC8058	Decker panel	1	Note(1)
ALR2210	Decker panel	1	Note(2)
<b>4 Door LHS</b>			
MXC8057	Decker panel	1	Note(1)
ALR2211	Decker panel	1	Note(2)
<b>All variants</b>			
19 BH105067L	Screw	4	
20 WM600041L	Washer spring	4	
21 MXC8304	Washer	8	
22 GG106251L	Screw	4	
23 NN106021	Nut	4	
24 MXC1097	Stay	2	

Note(1) Up to JA624755  
 Note(2) From KA624758  
 Note(3) From KA624756 up to KA642702  
 Note(4) From KA642703

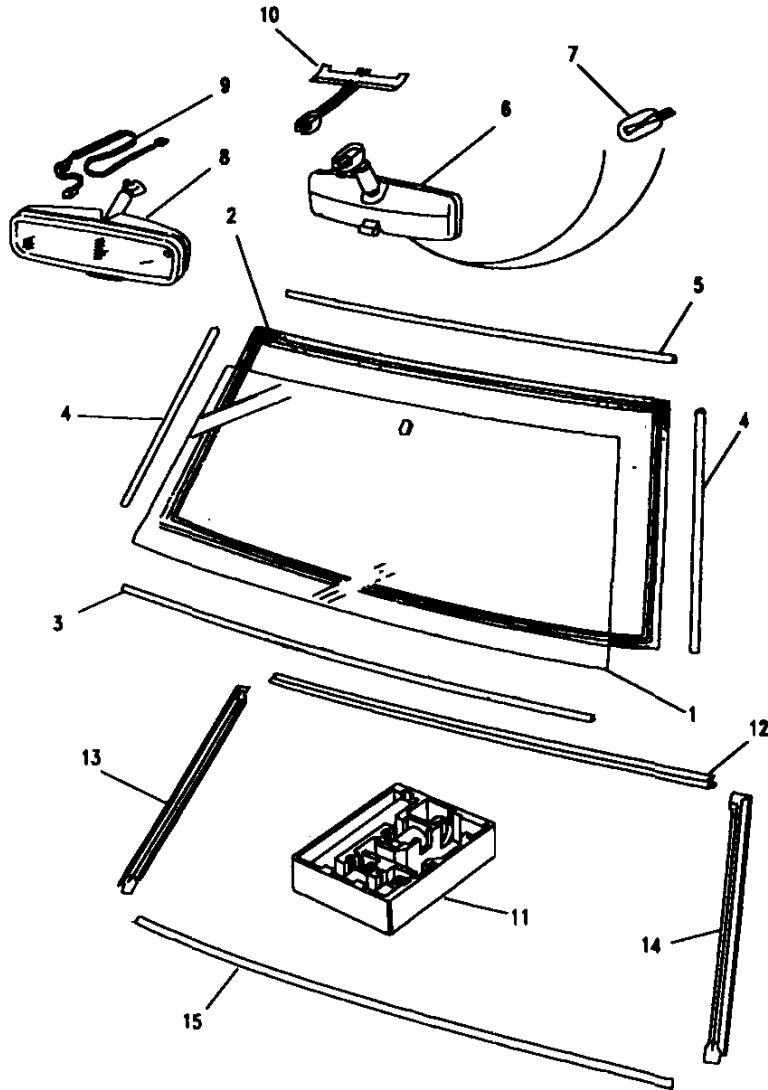


**Model** RANGE ROVER 1992 onwards  
**Page** BDNXFA1A

**BODY - WINDSCREEN & INTERIOR MIRROR.**

Ill. Part No.	Description	Qty	Remarks
<b>Clear</b>			
1	MXC3343	1	Windscreen assembly
<b>Sundym</b>			
	MXC3342	1	Windscreen assembly
	BTR9640	1	Windscreen assembly
<b>Sundym/heated</b>			
	MXC5648	1	Windscreen assembly
	BTR9641	1	Windscreen assembly
<b>All variants</b>			
2	MXC7405	1	Seal
3	391476	1	Filler strip
4	391474	2	Filler strip
5	391475	1	Filler strip
<b>With map lamps LHS</b>			
6	BTR3463	1	Mirror interior
	BTR5020	1	Mirror interior
	BTR8763	1	Mirror interior

Note(1) It is not possible to replace windscreen slug in service



**Model** RANGE ROVER 1992 onwards  
**Page** BDNXFA1A

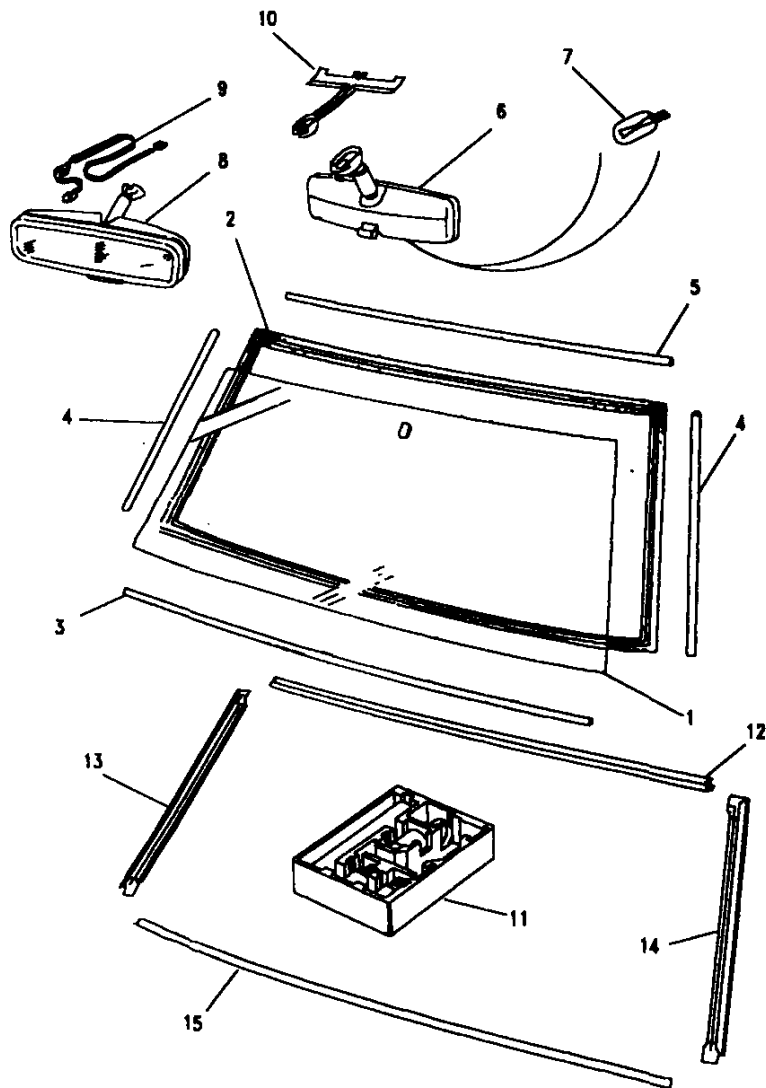
**BODY - WINDSCREEN & INTERIOR MIRROR.**

III. Part No.	Description	Qty	Remarks
<b>With map lamps RHS</b>			
BTR3462	Mirror interior	1	Note(1)
BTR5019	Mirror interior	1	Note(2)
BTR8764	Mirror interior	1	Note(3)
7 570829	Bulb	2	
<b>Auto dim &amp; map lamps LHS</b>			
8 BTR3465	Mirror interior	1	Note(1)
BTR5022	Mirror interior	1	Note(2)
BTR8765	Mirror interior	1	Note(3)
<b>Auto dim &amp; map lamps RHS</b>			
BTR3464	Mirror interior	1	Note(1)
BTR5021	Mirror interior	1	Note(2)
BTR8766	Mirror interior	1	Note(3)
<b>All variants</b>			
9 PRC8560	Link lead	1	Auto dim only
10 BTR3466	Cover	1	Note(1)
BTR5023	Cover	1	Note(2)
BTR8767	Cover	1	Note(3)

Note(1) Up to JA624755  
 Note(2) From KA624756 up to KA647644  
 Note(3) From MA647645  
 Note(4) It is not possible to replace windscreen slug in service

**Model** RANGE ROVER 1992 onwards  
**Page** BDNXFA1A

**BODY - WINDSCREEN & INTERIOR MIRROR**



**III. Part No.**

**Description**

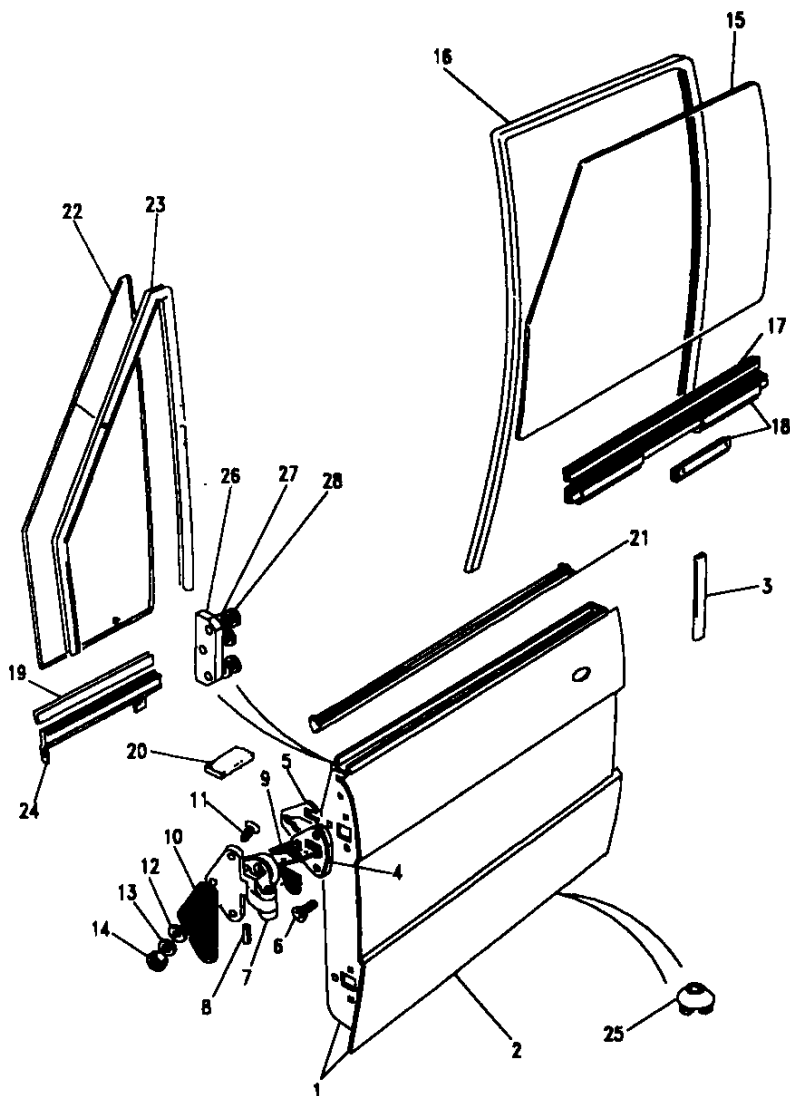
**Qty Remarks**

**Direct glazing finishers**

11	BHM705L	Kit sealant	1	
12	BTR9662	Finisher top	1	
13	BTR9663	Finisher RH	1	
14	BTR9664	Finisher LH	1	
15	AWR1511	Finisher lower	1	Heated screen
	AWR1512	Finisher lower	1	Non heated screen
16	BTR8213	Support windscreen	2	
17	BTR9651	Cap finisher	2	
18	BTR8506	Foam block	2	

**Model** RANGE ROVER 1992 onwards  
**Page** BDNXGA1A

**BODY - FRONT DOOR ASSEMBLY - 2 DOOR.**

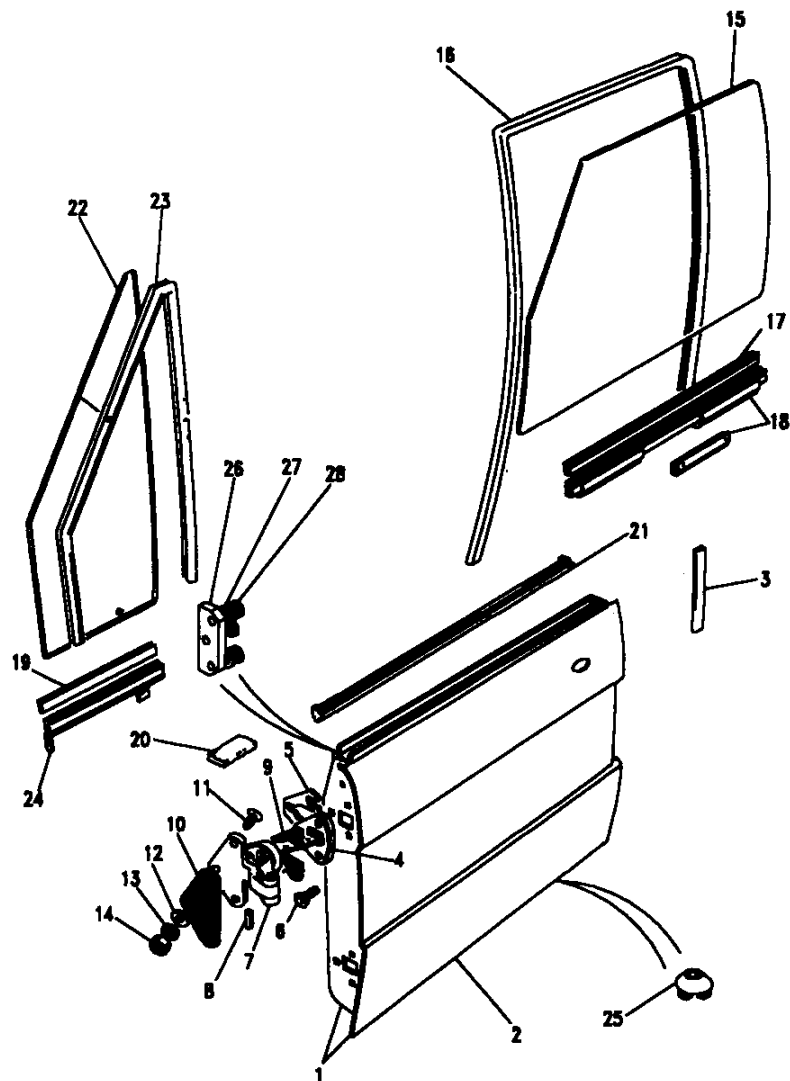


III. Part No.	Description	Qty	Remarks
1	MXC4886	1	Door assembly RH
	MXC4887	1	Door assembly LH
2	RTC6297	1	Panel outer RH
	RTC6298	1	Panel outer LH
3	DZA6330	2	Protector
4	391280	2	Check Strap
	ALR4786	2	Check Strap
5	392865	A/R	Shim
	392866	A/R	Shim
6	392920	12	Screw
7	390415	4	Hinge
8	391439	4	Pin roll
9	392876	4	Shim
10	391592	4	Shim
11	391043	12	Screw
12	RTC613	12	Washer plain

Note(1) Up to KA635927  
 Note(2) From KA63592

**Model** RANGE ROVER 1992 onwards  
**Page** BDNXGA1A

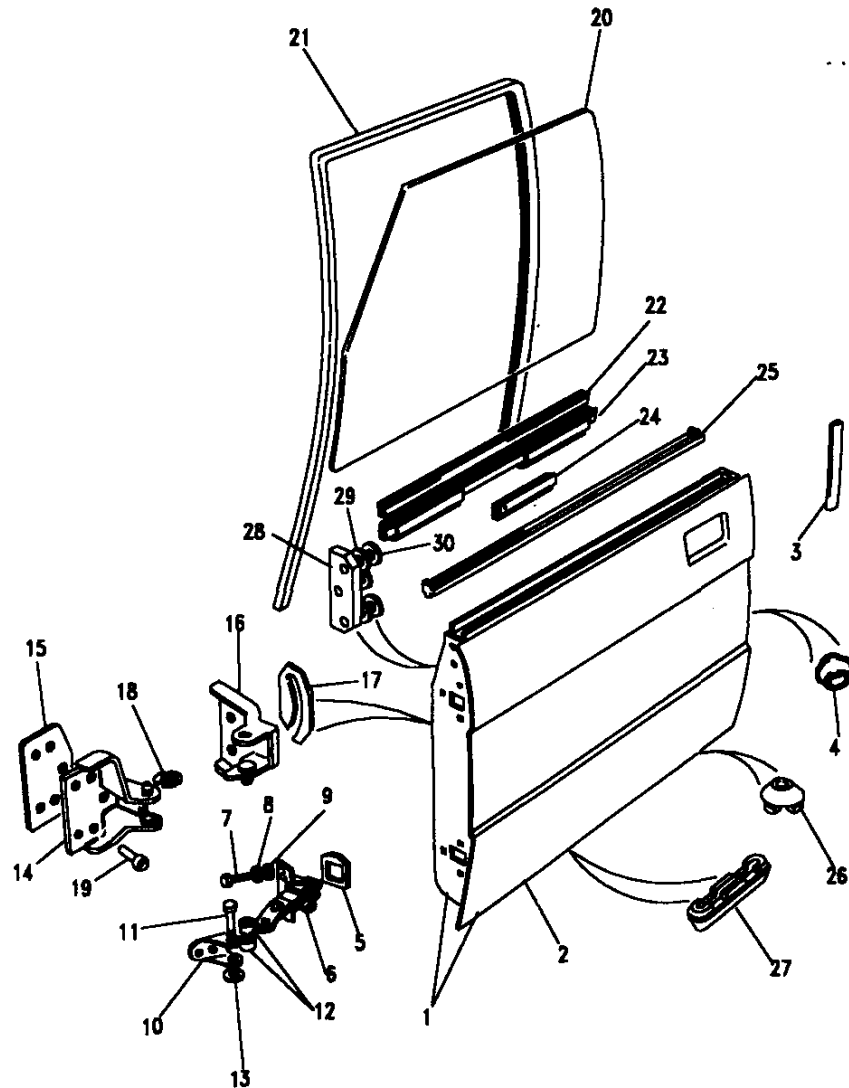
**BODY - FRONT DOOR ASSEMBLY - 2 DOOR.**



III. Part No.	Description	Qty	Remarks
13	WM600051L Washer spring	12	
14	NH605041L Nut	12	
15	MWC8430 Glass front door RH	1	
	MWC8431 Glass front door LH	1	
16	MXC1949 Glazing channel	2	
17	MTC7290 Glazing rubber	2	
18	ALR6540 Glass channel	2	
19	RTC6455 Fixing strip	2	
20	MUC2177 Pad	2	
21	MXC5355 Waist seal RH	1	
	MXC5356 Waist seal LH	1	
22	MWC6328 Door glass RH	1	Fixed
	MWC6329 Door glass LH	1	Fixed
23	MWC6305 Weather strip	2	
24	MWC6308 Channel RH	1	
	MWC6309 Channel LH	1	
25	MXC1956 Grommet	2	
26	MXC1867 Plate	2	
27	RTC613 Washer	6	
28	MXC1638 Bolt	6	

**Model** RANGE ROVER 1992 onwards  
**Page** BDNXGA2A

**BODY - FRONT DOOR ASSEMBLY - 4 DOOR.**

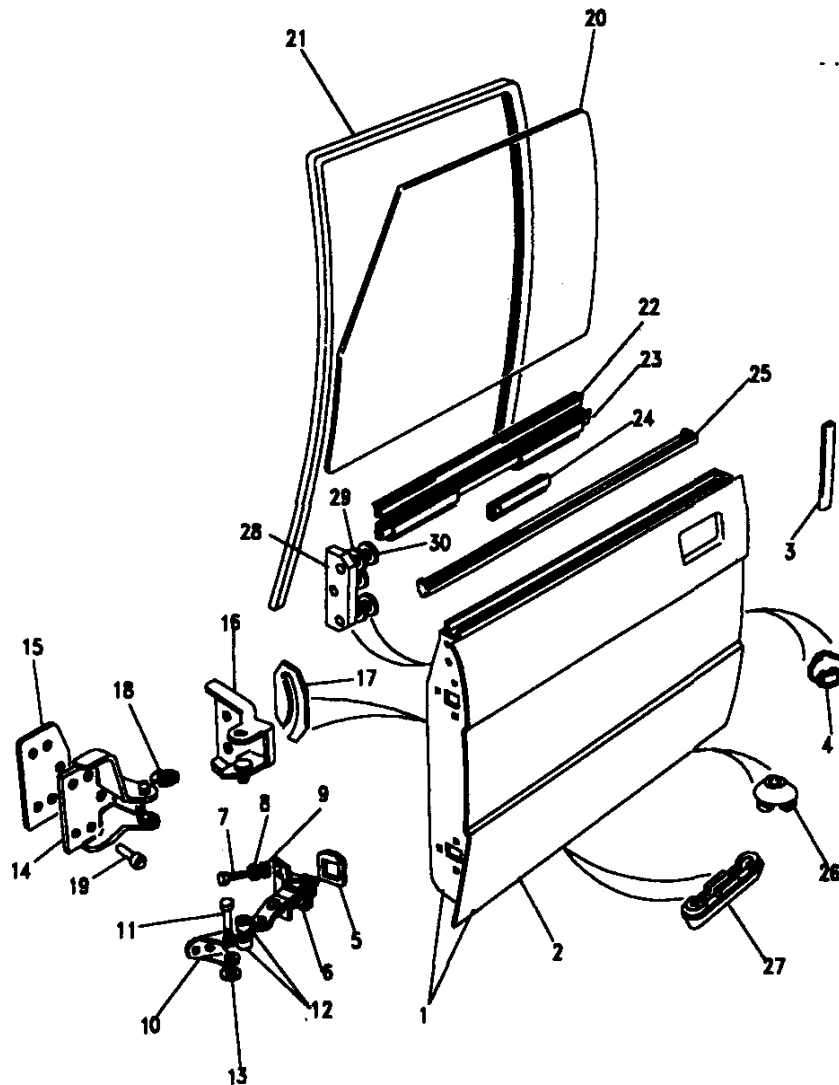


III. Part No.	Description	Qty	Remarks
1 ALR5596	Door assembly RH	1	
ALR5595	Door assembly LH	1	
2 MXC2064	Panel outer RH	1	
MXC2063	Panel outer LH	1	
3 DZA6330	Protector	2	
4 338013	Grommet	A/R	
338023	Grommet	A/R	
5 MXC8335	Gasket	2	
6 MXC1966	Checkstrap RH	1	)Note(1)
MXC1967	Checkstrap LH	1	
ALR4726	Checkstrap RH	1	)Note(2)
ALR4727	Checkstrap LH	1	
7 FS106167L	Screw	8	
8 WL106001L	Washer spring	8	
9 WA106041L	Washer plain	8	
10 MTC9066	Bracket	2	
11 CLP6552L	Roll Pin	2	
12 MTC9631	Spacer	4	
13 MTC9632	Circlip	2	
14 MXC2164	Hinge A post RH	1	Upper
MXC2165	Hinge A post LH	1	Upper
MXC5770	Hinge A Post RH	1	Lower
MXC5771	Hinge A Post LH	1	Lower

Note(1) Up to KA635927  
 Note(2) from KA635928

**Model** RANGE ROVER 1992 onwards  
**Page** BDNXGA2A

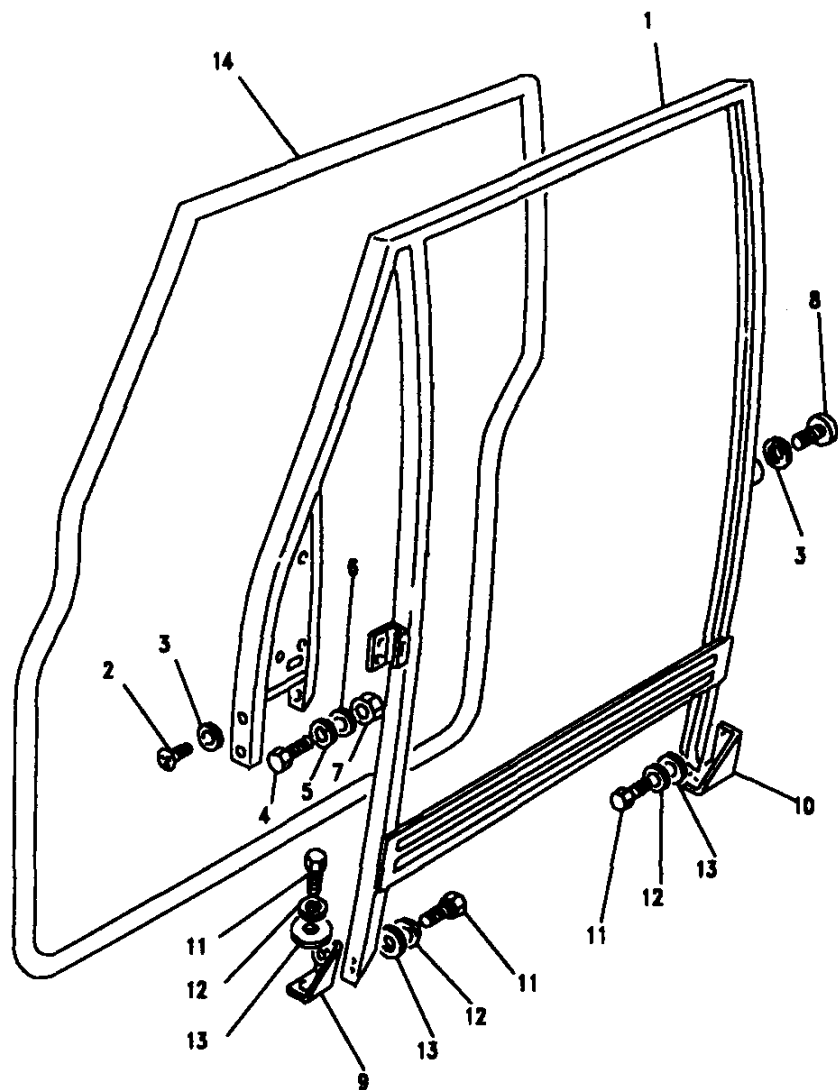
**BODY - FRONT DOOR ASSEMBLY - 4 DOOR.**



III. Part No.	Description	Qty	Remarks
15 MWC8680	Shim	4	Note(1)
ALR4722	Shim	2	Note(2)
16 MXC2166	Hinge Door RH	2	
MXC2167	Hinge Door LH	2	
17 ALR1976	Shim	2	
18 MXC5267	Circlip	4	
19 MXC4918	Screw	16	
20 MWC8436	Glass front door RH	1	
MWC8437	Glass front door LH	1	
21 MWC9802	Glazing channel	2	
22 MUC2325	Glazing rubber	2	
23 MUC2322	Channel lifting	2	
24 MWC2941	Channel locating	2	
25 MXC8014	Waist Seal RH	1	
MXC8015	Waist Seal LH	1	
26 MXC1956	Grommet	2	
27 MUC1733	Grommet	2	
28 MXC1867	Plate	2	
29 RTC613	Washer	6	
30 MXC1638	Screw	6	

Note(1) Up to KA634749  
 Note(2) From KA634750



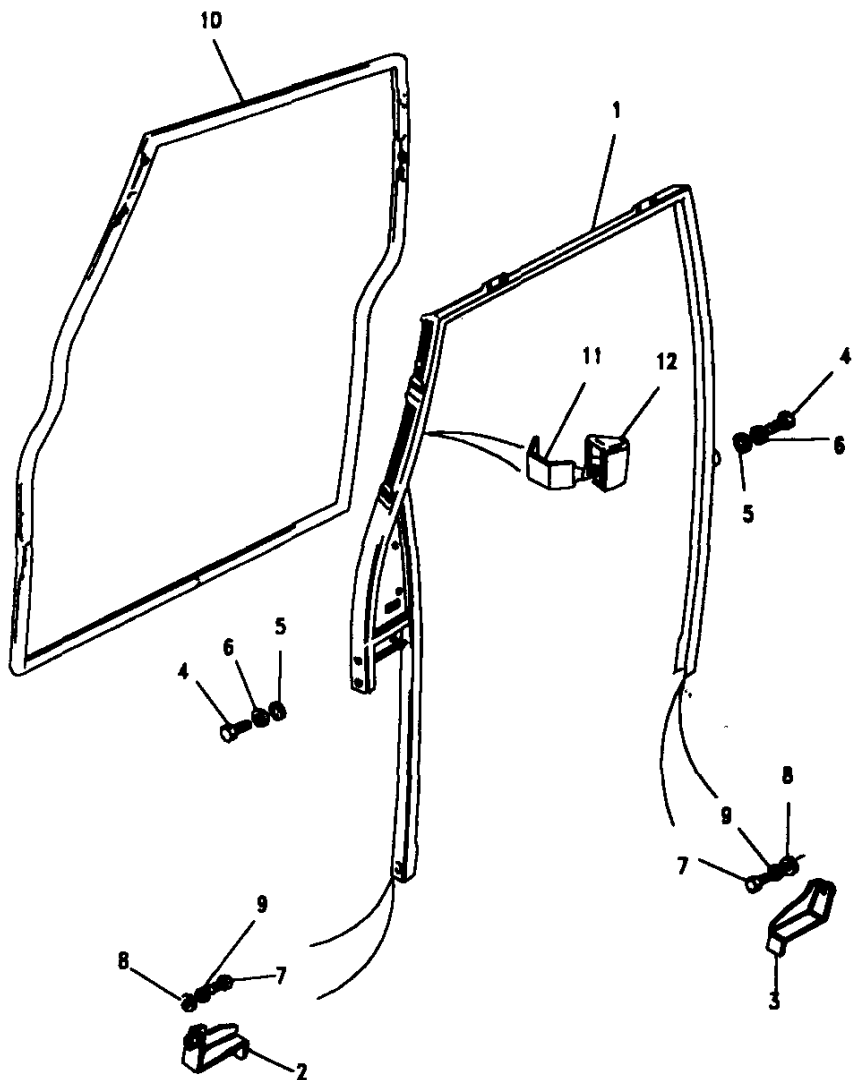


**Model** RANGE ROVER 1992 onwards  
**Page** BDNXGC1A

**BODY - FRONT DOOR FRAME & SEALS - 2 DOOR.**

III. Part No.	Description	Qty	Remarks
1	MWC8338	1	Frame door upper RH
	MWC6339	1	Frame door upper LH
2	SE804041L	2	Screw
3	WF600041L	A/R	Washer
4	FS106167L	4	Screw
5	WA106041L	4	Washer plain
6	WL106001L	4	Washer spring
7	NH106041L	4	Nut
8	78616	2	Screw
<b>Front</b>			
9	390614	1	Bracket mounting RH
	390615	1	Bracket mounting LH
<b>Rear</b>			
10	390616	1	Bracket mounting RH
	390617	1	Bracket mounting LH
<b>All variants</b>			
11	255206	10	Screw
12	WM600041L	6	Washer spring
13	3831L	10	Washer plain
14	ALR1614SUA	1	Door seal RH
	ALR1615SUA	1	Door seal LH

Note(1) COLOUR CODE. SUA - Sorrell brown.

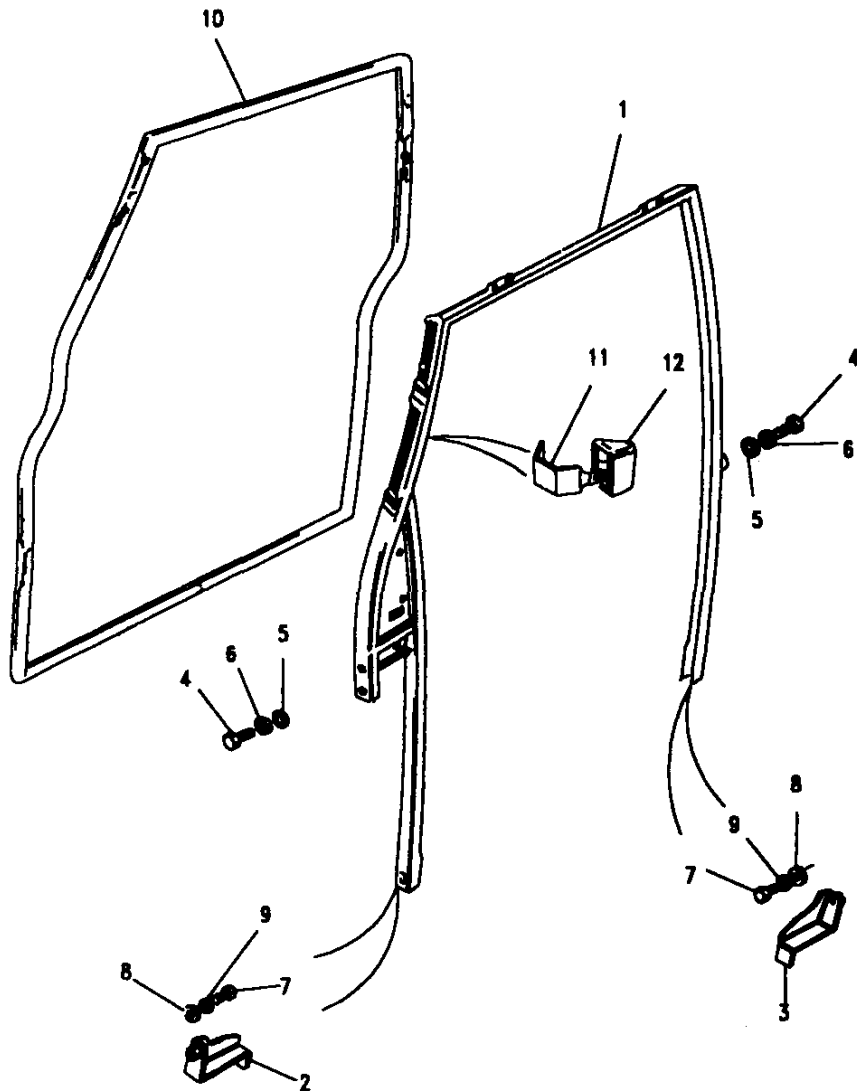


**Model** RANGE ROVER 1992 onwards  
**Page** BDNXGC2A

**BODY - FRONT DOOR FRAME & SEAL - 4 DOOR.**

III. Part No.	Description	Qty	Remarks
1	MXC8922	1	
	Frame door upper RH		
	Frame door upper LH		
2	MUC1750	1	Front
	Bracket mounting RH		
	MUC1751	1	Front
	Bracket mounting LH		
3	MUC1746	1	Rear
	Bracket mounting RH		
	MUC1747	1	Rear
	Bracket mounting LH		
4	SH108181L	2	
	Screw		
5	WL108001L	4	
	Washer spring		
6	WA108051L	4	
	Washer plain		
7	GG106301L	4	
	Screw		
8	WA106001L	4	
	Washer plain		
9	WL106001L	4	
	Washer spring		
<b>Right hand side</b>			
10	ALR1062SUA	1	
	Door seal RH		
	ALR1062LUL	1	
	Door seal RH		
	ALR1062AUK	1	
	Door Seal RH		
	ALR1062RWD	1	
	Door seal RH		
	ALR1062LOY	1	)From
	Door seal RH		)MA647645
	ALR1062LNF	1	
	Door seal RH		

Note(1) COLOUR CODE. LUL - Winchester grey, LOY - Dark granite, LNF - Ash grey, SUA - Sorrell brown. RWD - Sable



**Model** RANGE ROVER 1992 onwards

**Page** BDNXGC2A

**BODY - FRONT DOOR FRAME & SEAL - 4 DOOR.**

III. Part No.	Description	Qty	Remarks
<b>Left hand side</b>			
ALR1063SUA	Door Seal LH	1	
ALR1063LUL	Door Seal LH	1	
ALR1063AUK	Door Seal LH	1	
ALR1063RWD	Door Seal LH	1	
ALR1063LOY	Door seal LH	1	)From
ALR1063LNF	Door seal LH	1	)MA647645
<b>All variants</b>			
11 MXC8602	Clip	2	
12 MXC8603	Button	2	
ALR6498	Guide assy glass	2	It 11/12 assembled

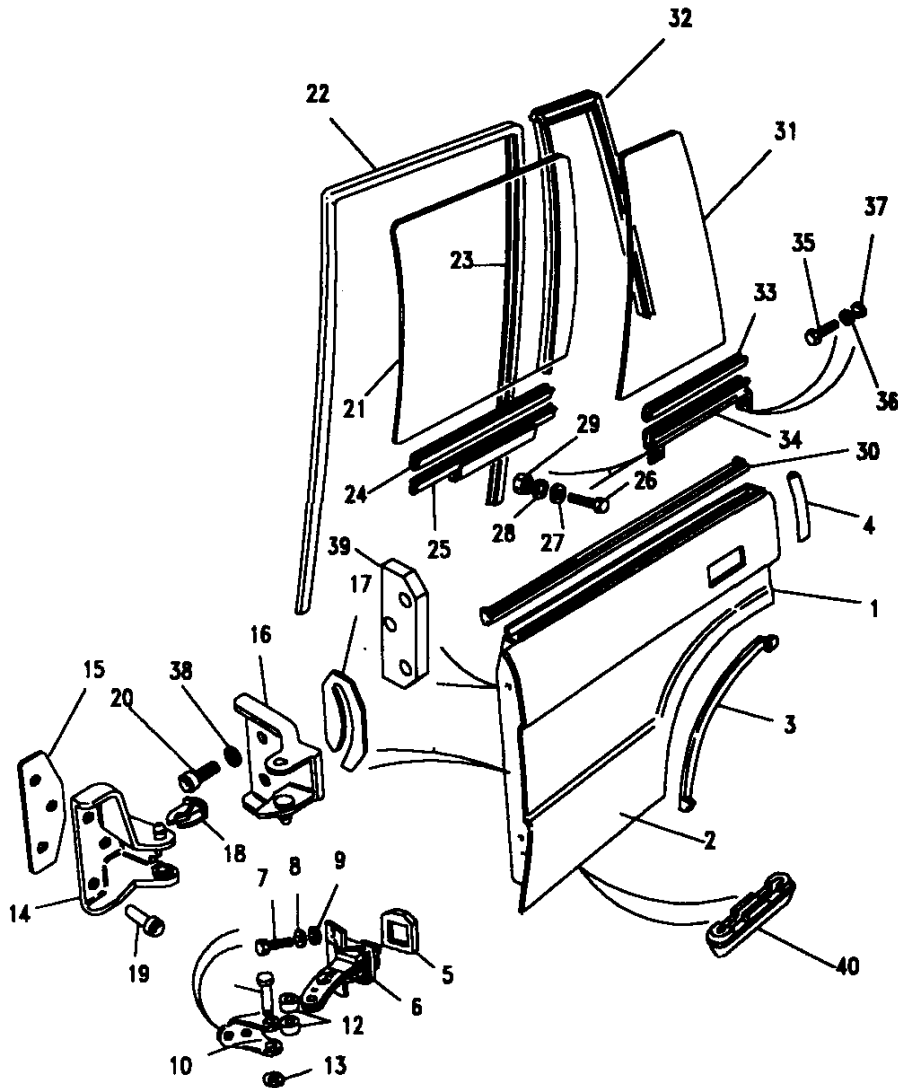
Note(1) COLOUR CODE. LUL - Winchester grey, LOY - Dark granite, LNF - Ash grey, SUA - Sorrell brown. RWD - Sable

**Model** RANGE ROVER 1992 onwards  
**Page** BDNXG11A

**BODY - REAR DOOR ASSEMBLY.**

III. Part No.	Description	Qty	Remarks
<b>All non 108" L.W.B. only</b>			
1 ALR3906	Door assembly RH	1	)Up to
ALR3905	Door assembly LH	1	)MA656228
ALR8218	Door assembly RH	1	)From
ALR8217	Door assembly LH	1	)MA656229
<b>108" L.W.B. only</b>			
ALR6024	Door assembly RH	1	)Up to
ALR6023	Door assembly LH	1	)MA649145
ALR6556	Door assembly RH	1	)From
ALR6555	Door assembly LH	1	)MA849146
<b>All non 108" L.W.B. only</b>			
2 RTC6188	Panel outer RH	1	
RTC6187	Panel outer LH	1	
<b>108" L.W.B. only</b>			
ALR1878	Panel door RH	1	
ALR1879	Panel door LH	1	

Note(1) Up to JA624755  
 Note(2) From KA624756

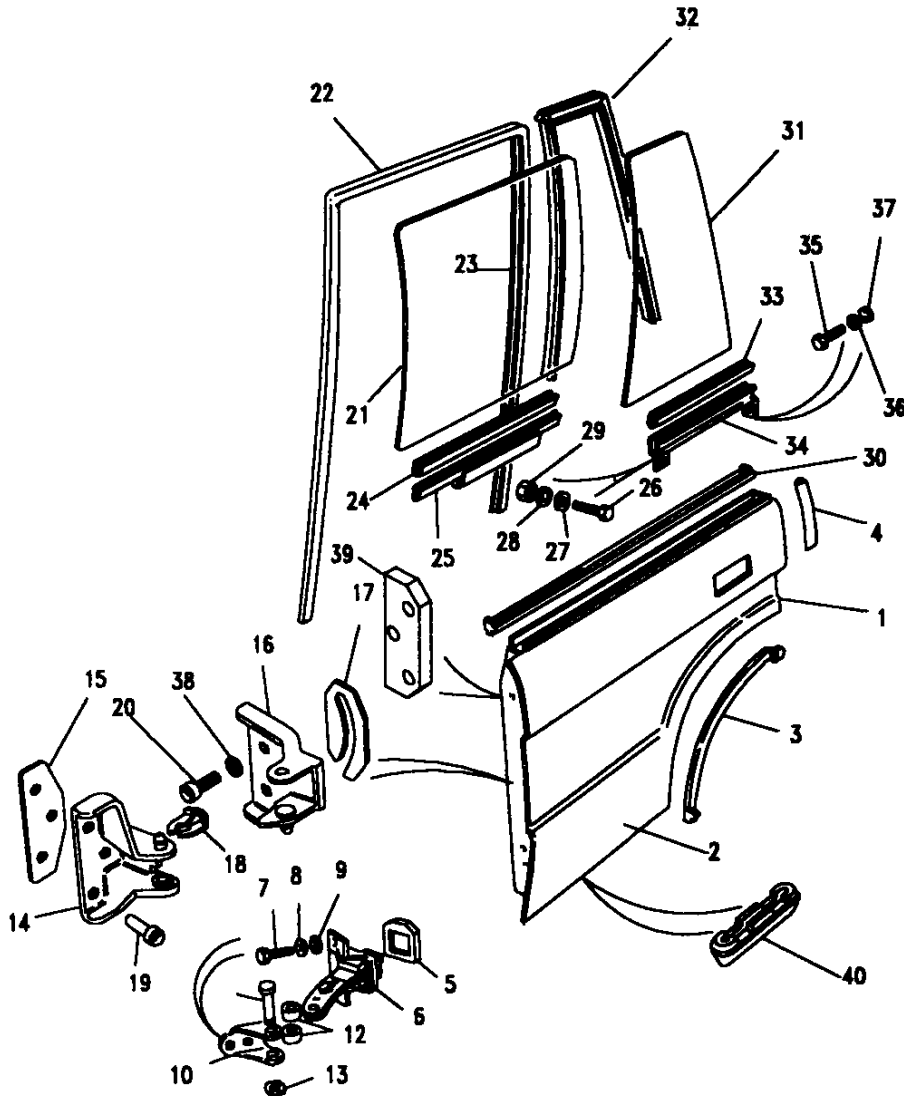


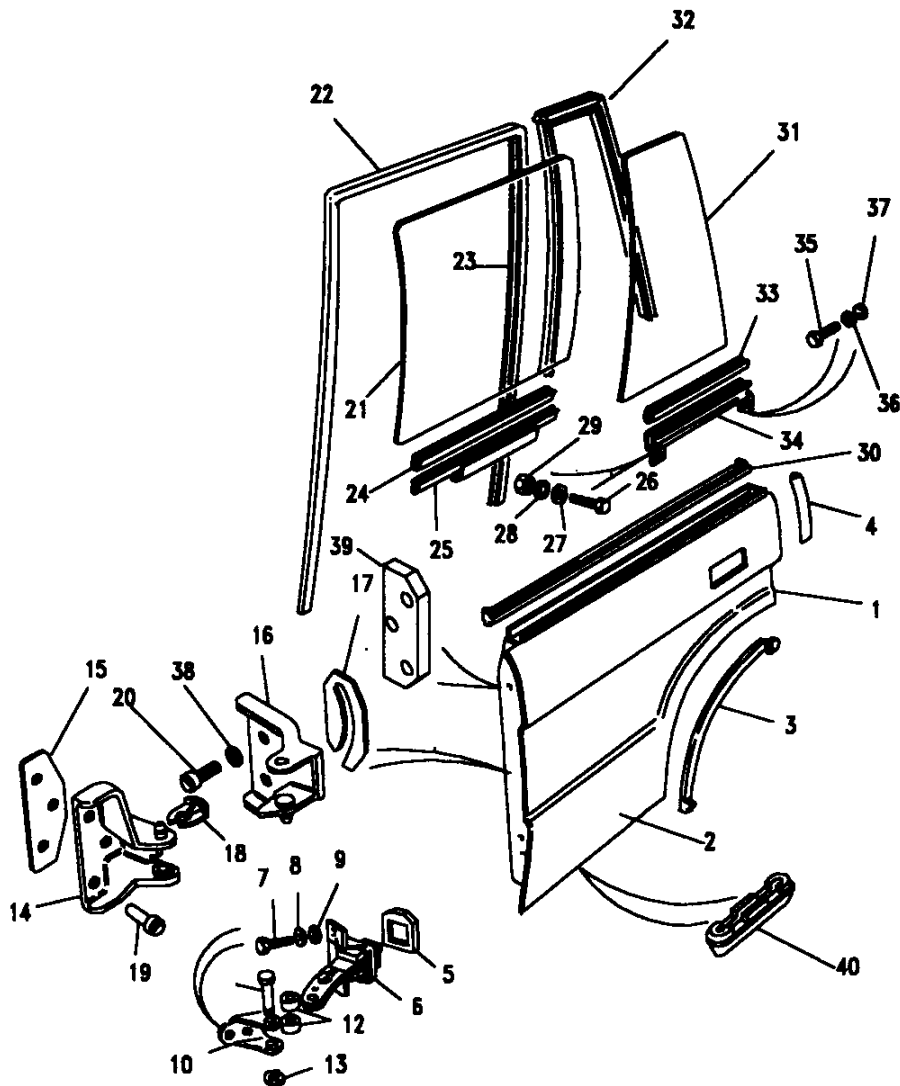
**Model** RANGE ROVER 1992 onwards  
**Page** BDNXG11A

**BODY - REAR DOOR ASSEMBLY.**

iii. Part No.	Description	Qty	Remarks
<b>All variants</b>			
3	MXC4655 Seal	2	Note(1)
	ALR2371 Seal	2	Note(2)
4	DZA6330 Protector	2	
5	MXC8335 Gasket	2	
<b>All non 108" L.W.B. only</b>			
6	MXC1965 Check Strap	2	Note(3)
	ALR4725 Check strap	2	Note(4)
<b>108" L.W.B. only</b>			
	ALR1767 Check Strap	2	Note(3)
	ALR4787 Check Strap	2	Note(4)
<b>All variants</b>			
7	FS106167L Screw	8	
8	WL106001L Washer spring	8	
9	WA106041L Washer plain	8	
10	MTC9066 Bracket	2	
11	CLP8552L Roll Pin	2	
12	MTC9631 Spacer	4	
13	MTC9632 Circlip	2	

Note(1) Up to JA617684  
 Note(2) From JA617685  
 Note(3) Up to KA635927  
 Note(4) From KA635928



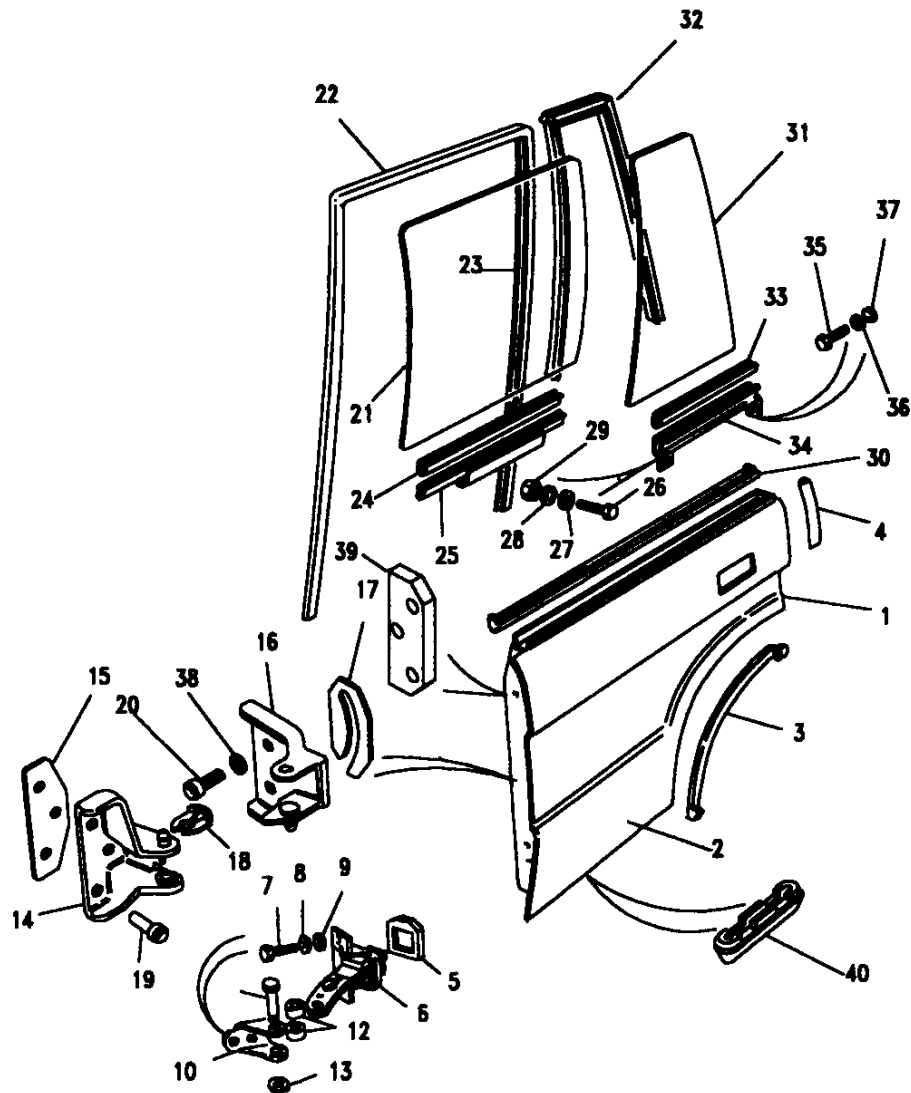


**Model** RANGE ROVER 1992 onwards  
**Page** BDNXGI1A

**BODY - REAR DOOR ASSEMBLY.**

Ill. Part No.	Description	Qty	Remarks
<b>Upper</b>			
14	MXC2162	1	Hinge B post RH
	MXC2163	1	Hinge B post LH
<b>Lower</b>			
	MXC5788	1	Hinge B post RH
	MXC5789	1	Hinge B Post LH
	MXC1867	4	Plate
15	MXC1361	4	Shim
	ALR4723	1	Shim door hinge
16	MXC2166	2	Hinge Door RH
	MXC2167	2	Hinge Door LH
17	ALR1976	2	Shim
18	MXC5267	4	Circlip
19	MXC4918	12	Screw
20	MXC1638	12	Screw
<b>All non 108" L.W.B. only</b>			
21	MWC8438	1	Glass rear door RH
	MWC8439	1	Glass rear door LH
<b>108" L.W.B. only</b>			
	ALR4454	1	Glass rear door RH
	ALR4453	1	Glass rear door LH

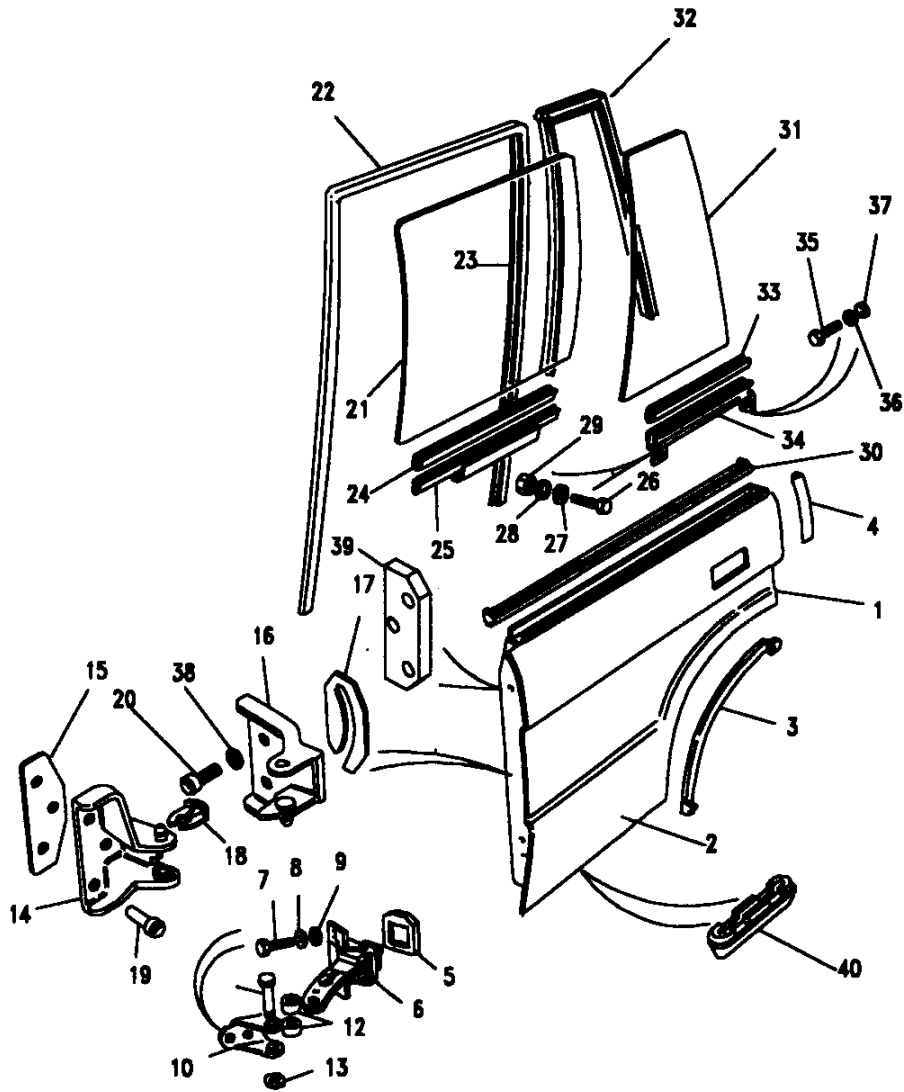
Note(1) Up to KA634749  
 Note(2) From KA634750



**Model** RANGE ROVER 1992 onwards  
**Page** BDNXG11A

**BODY - REAR DOOR ASSEMBLY.**

III. Part No.	Description	Qty	Remarks
<b>100" L.W.B. only</b> 22 MWC9603	Channel front & top	2	
<b>108" L.W.B. only</b> ALR1512	Channel glass run	2	One piece
<b>All variants</b> 23 MTC9177	Channel rear	2	
24 MTC7290	Channel glass	2	Up to MA649145
ALR6541	Channel glass	2	From MA649146
<b>All variants</b> 25 MUC1218	Lift channel LH	1	)Up to
MUC1219	Lift channel RH	1	)MA649145
ALR6540	Channel glass	1	)From
ALR6498	Guide assy glass	1	)MA649146
26 SH604041L	Screw	2	
27 WA106041L	Washer plain	2	
28 WF600041L	Washer	2	
29 NH604041L	Nut	2	
<b>All non 108" L.W.B. only</b> 30 MXC8016	Seal waist RH	1	
MXC8017	Seal waist LH	1	
<b>108" L.W.B. only</b> ALR4463	Seal waist LH	1	
ALR4464	Seal waist RH	1	



**Model** RANGE ROVER 1992 onwards  
**Page** BDNXG11A

**BODY - REAR DOOR ASSEMBLY.**

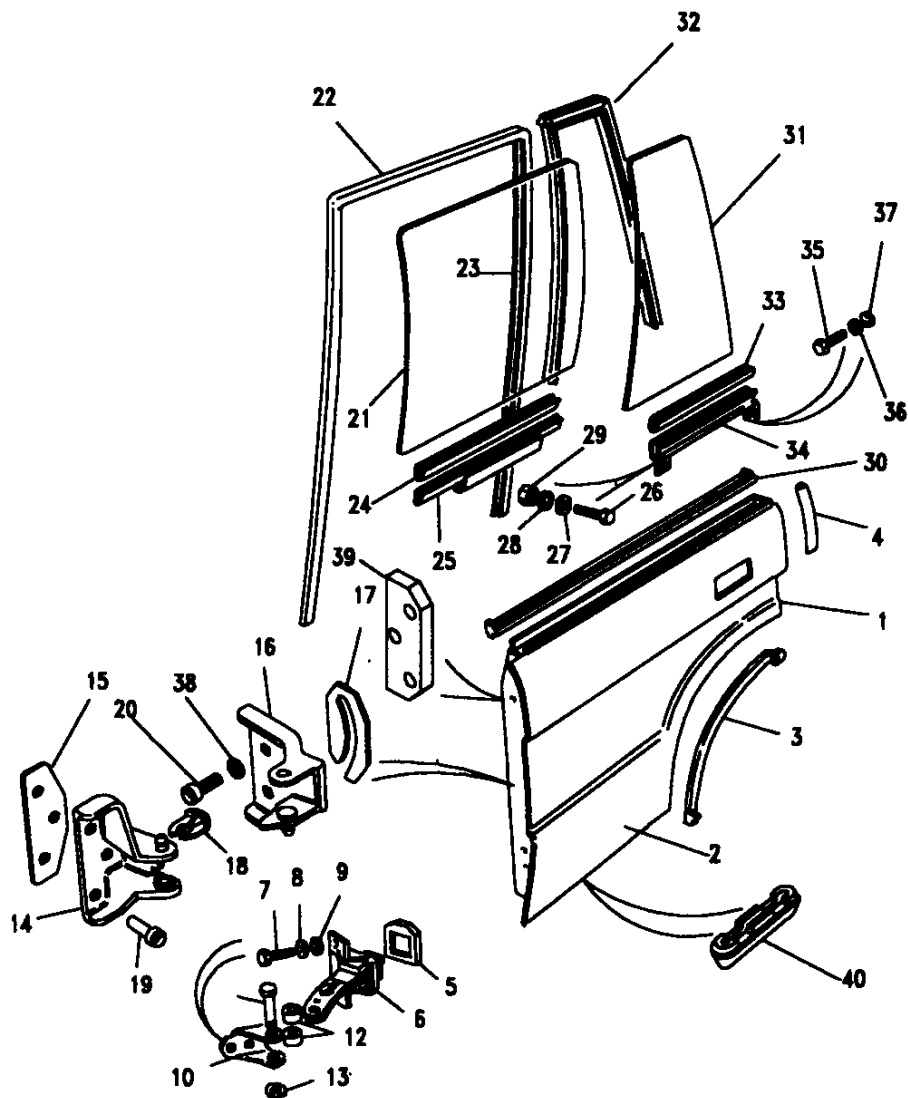
III. Part No.	Description	Qty	Remarks
<b>All variants</b>			
31 MTC5956	Glass rear quarter RH	1	
MTC5955	Glass rear quarter LH	1	
<b>108" L.W.B. only</b>			
ALR1508	Glass rear quarter RH	1	
ALR1509	Glass rear quarter LH	1	
<b>Non 108" LWB only</b>			
32 MTC9131	Seal	2	
<b>108" L.W.B. only</b>			
32 ALR1510	Seal	2	
<b>All variants</b>			
33 MTC4501	Seal glazing	A/R	
<b>All non 108" L.W.B. only</b>			
34 MTC9274	Channel RH	1	
MTC9273	Channel LH	1	
<b>108" L.W.B. only</b>			
ALR1770	Channel RH	1	
ALR1771	Channel LH	1	

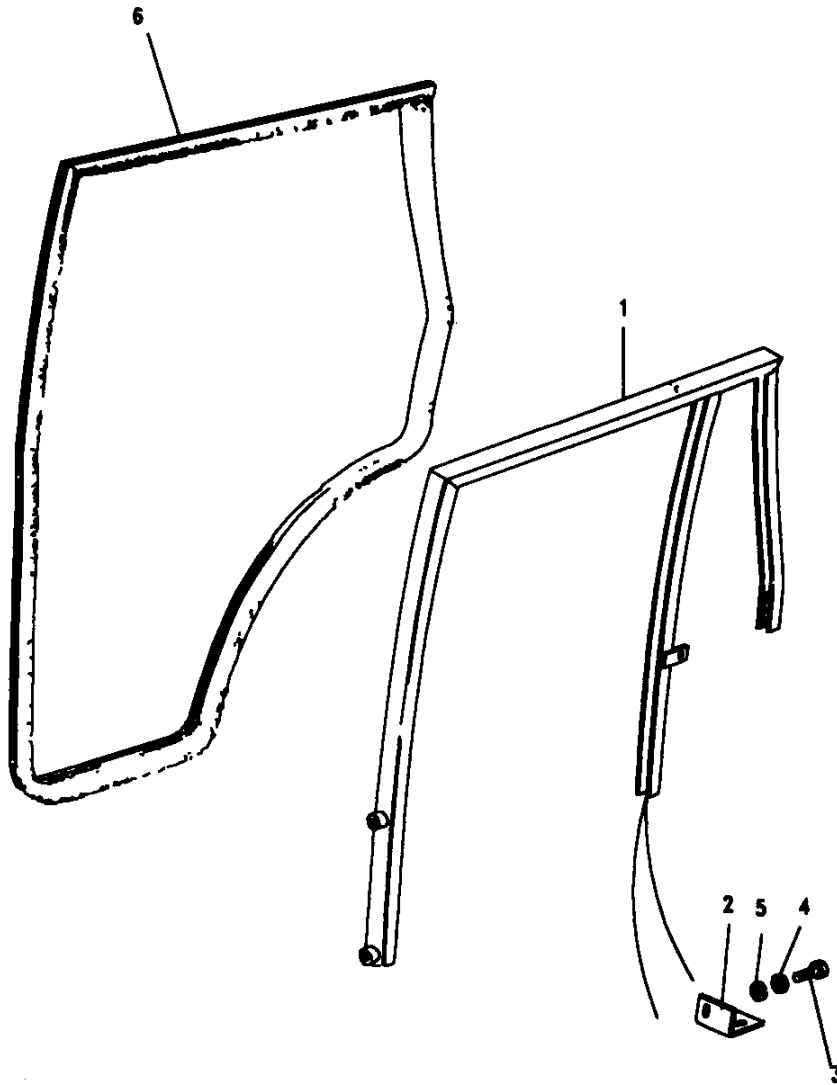


**Model** RANGE ROVER 1992 onwards  
**Page** BDNXG11A

**BODY - REAR DOOR ASSEMBLY.**

III. Part No.	Description	Qty	Remarks
<b>All variants</b>			
35	SH604031L	2	Screw
36	WA106041L	2	Washer plain
37	WF600041L	2	Washer
38	RTC813	12	Washer plain
39	MXC1867	4	Plate
40	MUC1733	1	Grommet



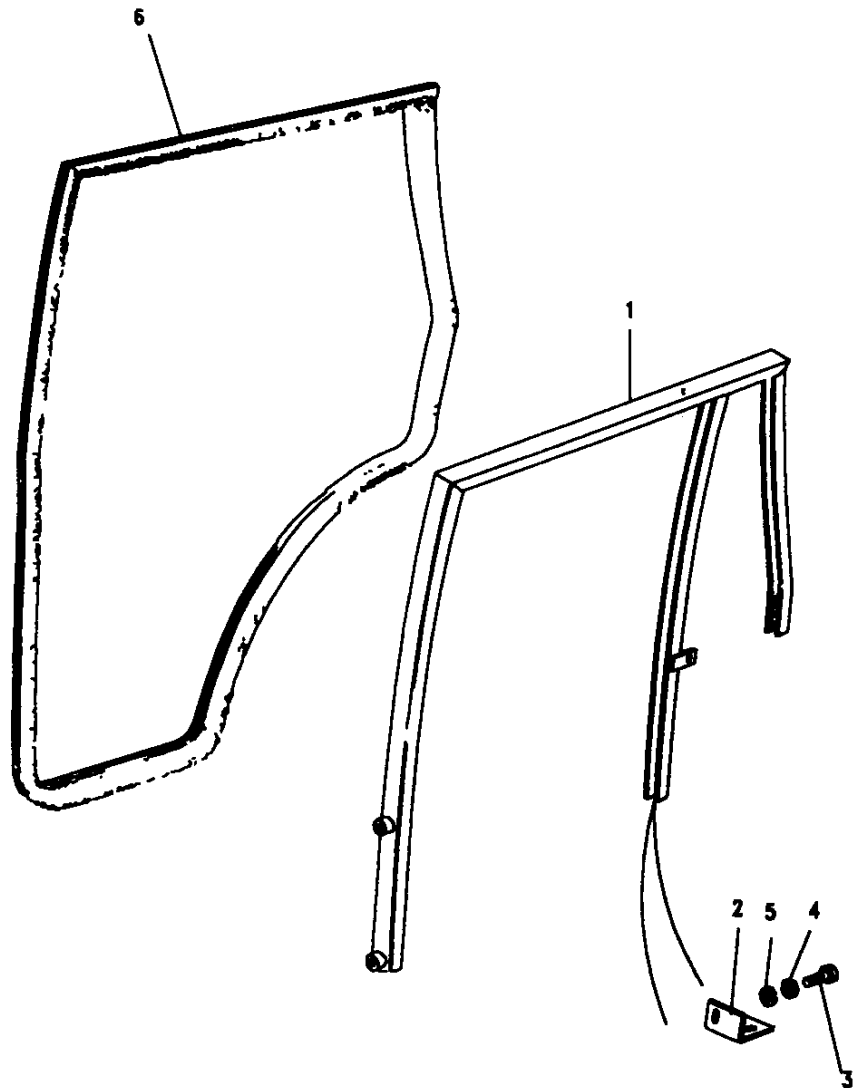


**Model** RANGE ROVER 1992 onwards  
**Page** BDNXGK1A

**BODY - REAR DOOR FRAME**

III. Part No.	Description	Qty	Remarks
1	MXC8706	1	Frame rear door RH
	MXC8707	1	Frame rear door LH
<b>108" L.W.B. only</b>			
	ALR1504	1	) Frame rear door RH
	ALR1505	1	) Frame rear door LH
	ALR6254	1	) Frame rear door RH
	ALR6255	1	) Frame rear door LH
<b>All variants</b>			
2	MTC9164	1	Bracket mounting RH
	MTC9163	1	Bracket mounting LH
3	SH604031L	4	Screw
4	3900L	4	Washer plain
5	WL106001L	4	Washer spring
6	ALR1064SUA	1	Seal rear door RH
	ALR1064LUL	1	Seal rear door RH
	ALR1064RWD	1	Seal rear door RH
	ALR1064LOY	1	Seal rear door RH
	ALR1064LNF	1	Seal rear door RH
	ALR1065LUL	1	Seal rear door LH
	ALR1065SUA	1	Seal rear door LH
	ALR1065RWD	1	Seal rear door LH
	ALR1065LOY	1	Seal rear door LH
	ALR1065LNF	1	Seal rear door LH

Note(1) Up to KA644620  
 Note(2) From KA644621  
 Note(3) COLOUR CODE. SUA - Sorrell brown, LUL - Winchester grey, LOY - Dark granite, LNF - Ash grey, RWD - Sable, AUK - Tan.



**Model** RANGE ROVER 1992 onwards  
**Page** BDNXGK1A

**BODY - REAR DOOR FRAME**

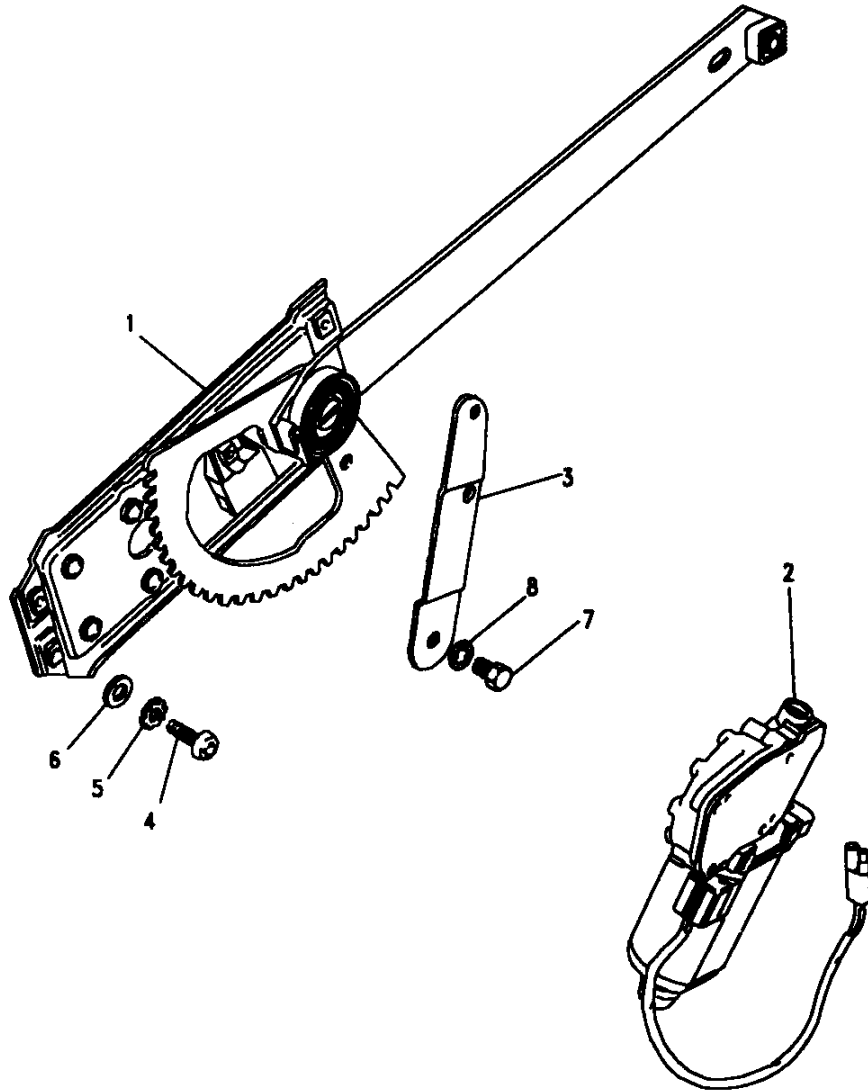
III. Part No.	Description	Qty	Remarks
<b>108" L.W.B. only</b>			
6 ALR1516AUK	Seal rear door RH	1	
ALR1516RWD	Seal rear door RH	1	
ALR1516SUA	Seal rear door RH	1	
ALR1516LOY	Seal rear door RH	1	)From
ALR1516LNF	Seal rear door RH	1	)MA647645
ALR1517AUK	Seal rear door LH	1	
ALR1517RWD	Seal rear door LH	1	
ALR1517SUA	Seal rear door LH	1	
ALR1517LOY	Seal rear door LH	1	)From
ALR1517LNF	Seal rear door LH	1	)MA647645

Note(1) COLOUR CODE. SUA - Sorrell brown, LUL - Winchester grey, LNF - Ash grey, LOY - Dark granite, RWD - Sable AUK - Tan

**Model** RANGE ROVER 1992 onwards  
**Page** BDNXHA1A

**BODY - WINDOW REGULATORS FRONT - 2 DOOR.**

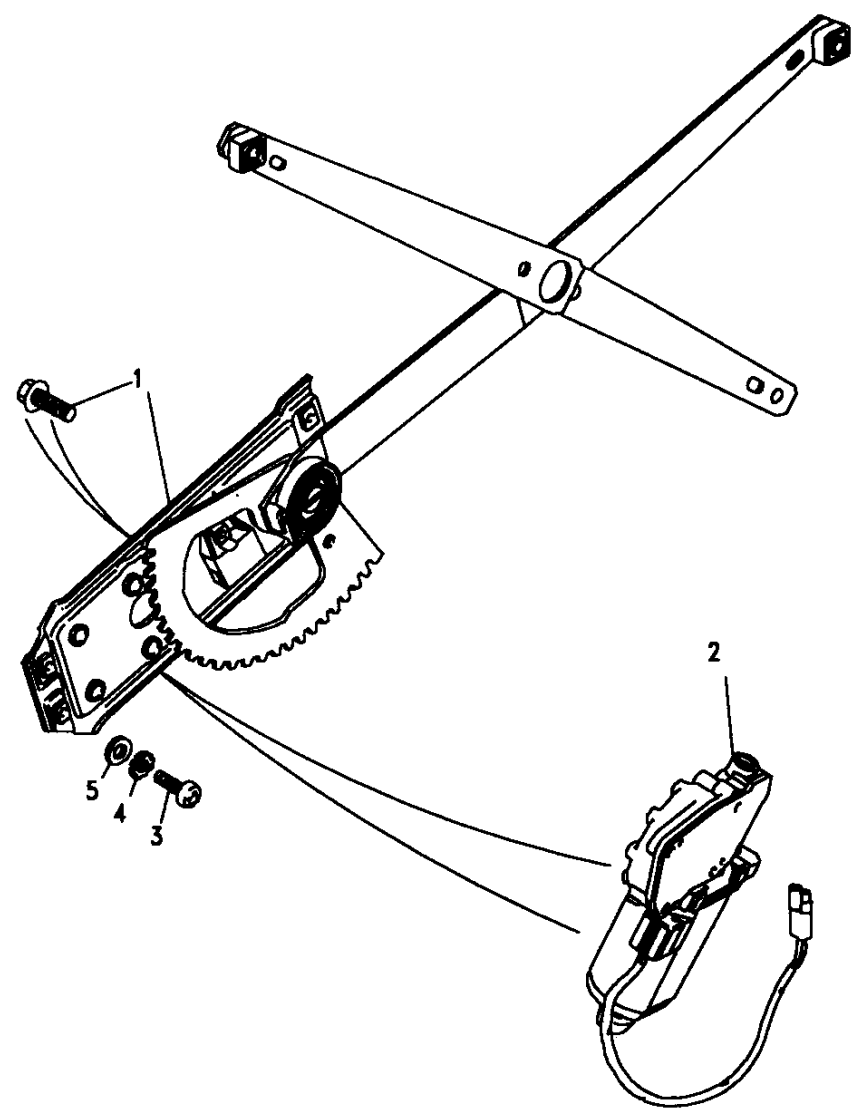
III. Part No.	Description	Qty	Remarks
1	RTC8387	1	Regulator window RH
	RTC8388	1	Regulator window LH
2	RTC8841	1	Motor window RH
	RTC8840	1	Motor window LH
3	MXC3022	1	Plate mounting LH
	MXC3021	2	Plate mounting RH
4	SE106121L	4	Screw
5	WE106001L	4	Washer
6	WA106041L	4	Washer plain
7	FS105107	2	Screw
8	WF105001L	2	Washer



**Model** RANGE ROVER 1992 onwards  
**Page** BDNXHA2A

**BODY - WINDOW REGULATORS FRONT - 4 DOOR.**

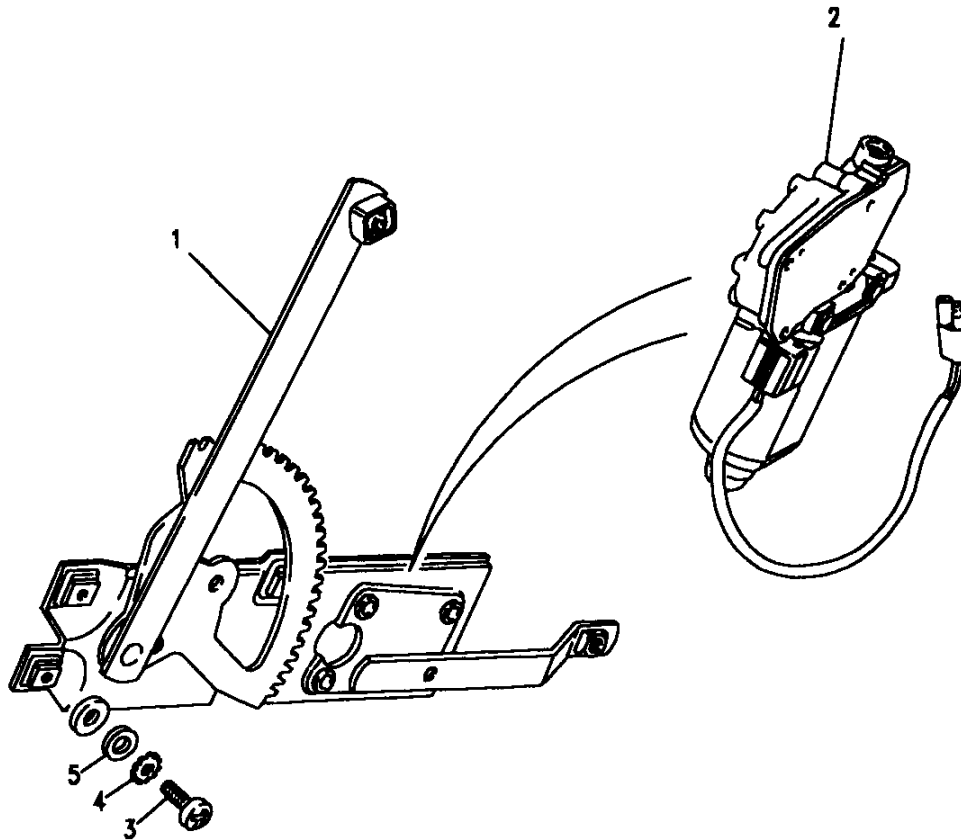
III. Part No.	Description	Qty	Remarks
1 RTC3814	Regulator window RH	1	
RTC3815	Regulator window LH	1	
2 RTC6641	Motor window RH	1	
RTC6640	Motor window LH	1	
3 SE106121L	Screw	4	
4 WE106001L	Washer	4	
5 WA106041L	Washer plain	4	



**Model** RANGE ROVER 1992 onwards  
**Page** BDNXHC1A

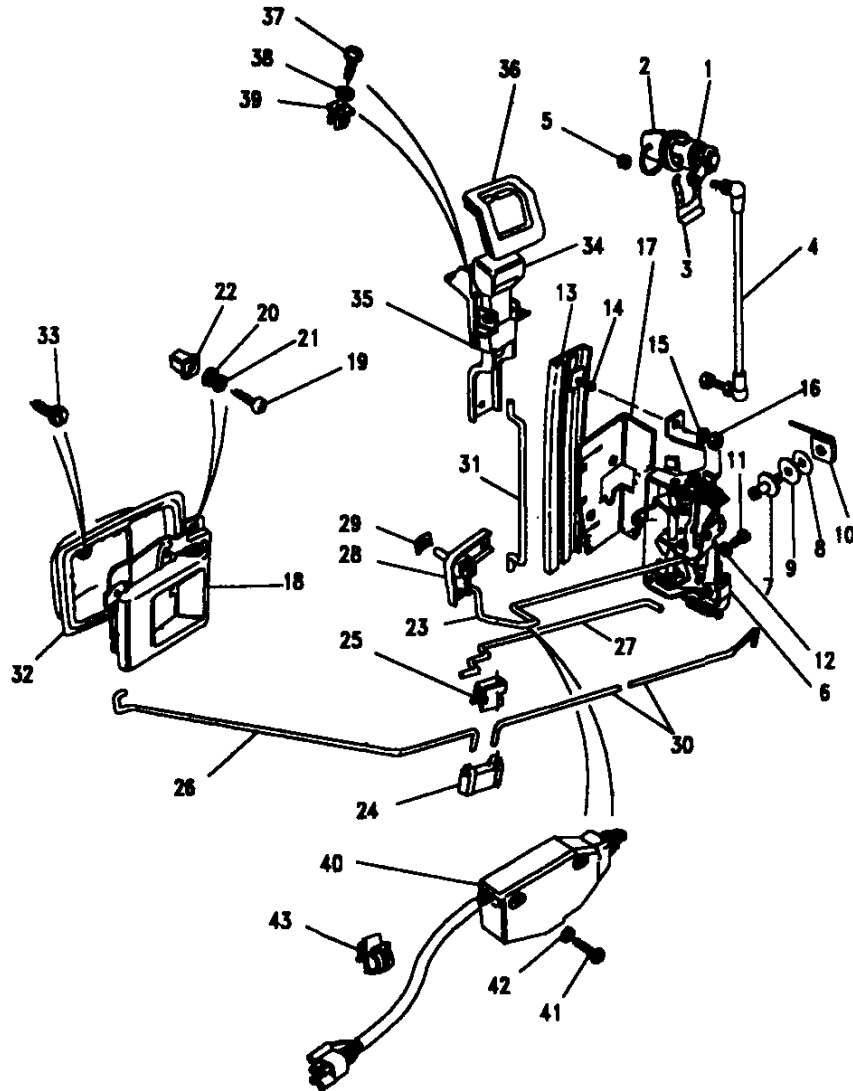
**BODY - WINDOW REGULATORS REAR.**

III. Part No.	Description	Qty	Remarks
1	RTC3816	1	
	RTC3817	1	
<b>108" LWB only</b>			
	STC944	1	)Up to
	STC945	1	)KA647644
	ALR6544	1	)From
	ALR6543	1	)MA647645
<b>All variants</b>			
2	RTC6643	1	)Up to
	RTC6642	1	)KA647644
	STC1627	1	)From
	STC1628	1	)MA647645
3	SE106121L	4	Screw
4	WE106001L	4	Washer
5	WA106041L	4	Washer spring

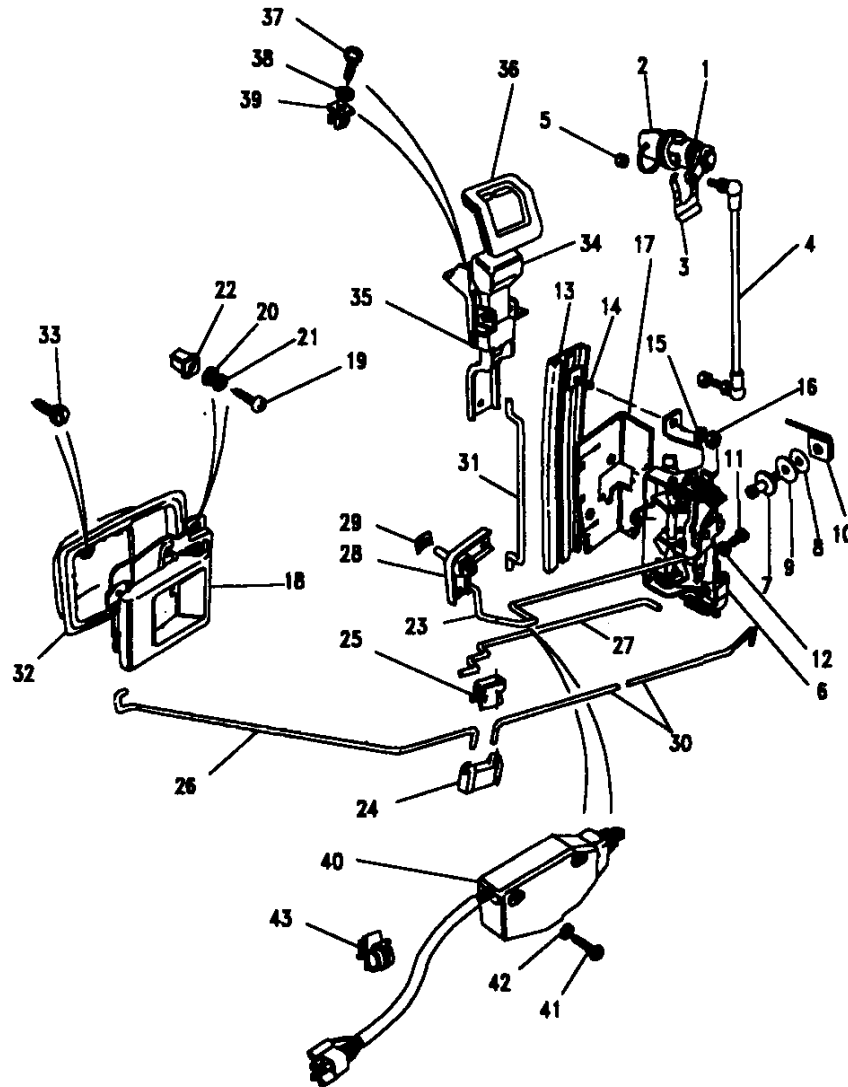


Model RANGE ROVER 1992 onwards  
 Page BDNXHE1A

BODY - DOOR LOCKS - 2 DOOR.



III. Part No.	Description	Qty	Remarks
1	391148	1	Door lock RH
	391149	1	Door lock LH
2	MUC2153	1	Key
3	723290	2	Clip retaining
4	392228	2	Control rod
5	251335	2	Nut
6	MXC1738	1	Latch assembly RH
	MXC1737	1	Latch assembly LH
7	390448	2	Striker
8	391591	2	Shim
9	MWC7677	2	Gasket
10	390816	2	Plate retaining
11	79154	6	Screw
12	WF600041L	6	Washer
13	390506	2	Door handle outer
14	390507	4	Plate



**Model** RANGE ROVER 1992 onwards  
**Page** BDNXHE1A

**BODY - DOOR LOCKS - 2 DOOR.**

III. Part No.	Description	Qty	Remarks
15	WF800041L	4	Washer
16	NH604041L	4	Nut
17	MRC7166	2	Seal
18	DBP5840RUN	1	Handle door inner RH
	DBP5841RUN	1	Handle door inner LH
	DBP5840LNF	1	Handle door inner RH
	DBP5841LNF	1	Handle door inner LH
19	SH106141L	4	Drive Screw
20	WA104001L	4	Washer plain
21	WL104001L	4	Washer spring
22	ADU3775	4	Nut
23	MXC4622	1	Link rod RH
	MXC4621	1	Link rod LH
24	AFU3019	2	Connector
25	MTC6264	2	Clip
26	MXC3025	1	Link rod RH
	MXC3026	1	Link rod LH
27	MXC1947	2	Link rod
28	AFU1896L	2	Bellcrank
29	AN104041L	2	Retainer

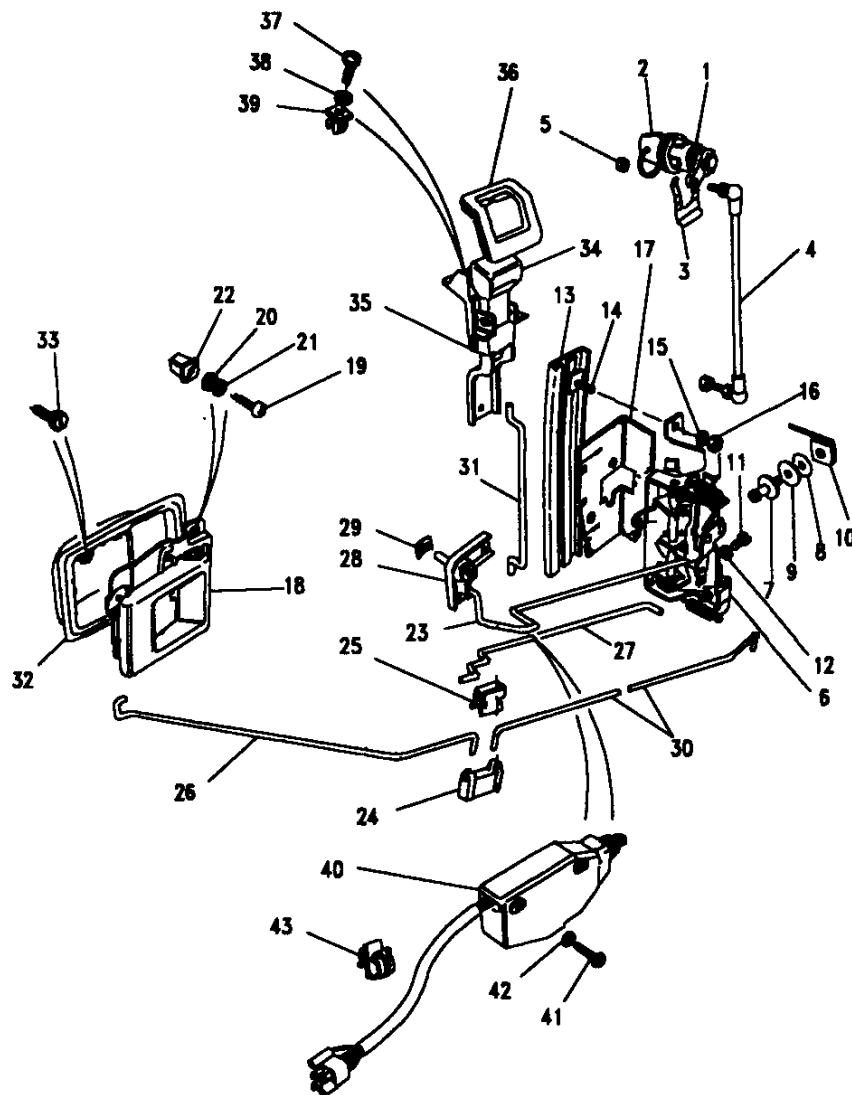
)Up to  
 )KA647644  
 )From  
 )MA647645

Note(1) COLOUR CODE. RUN - Bokhara



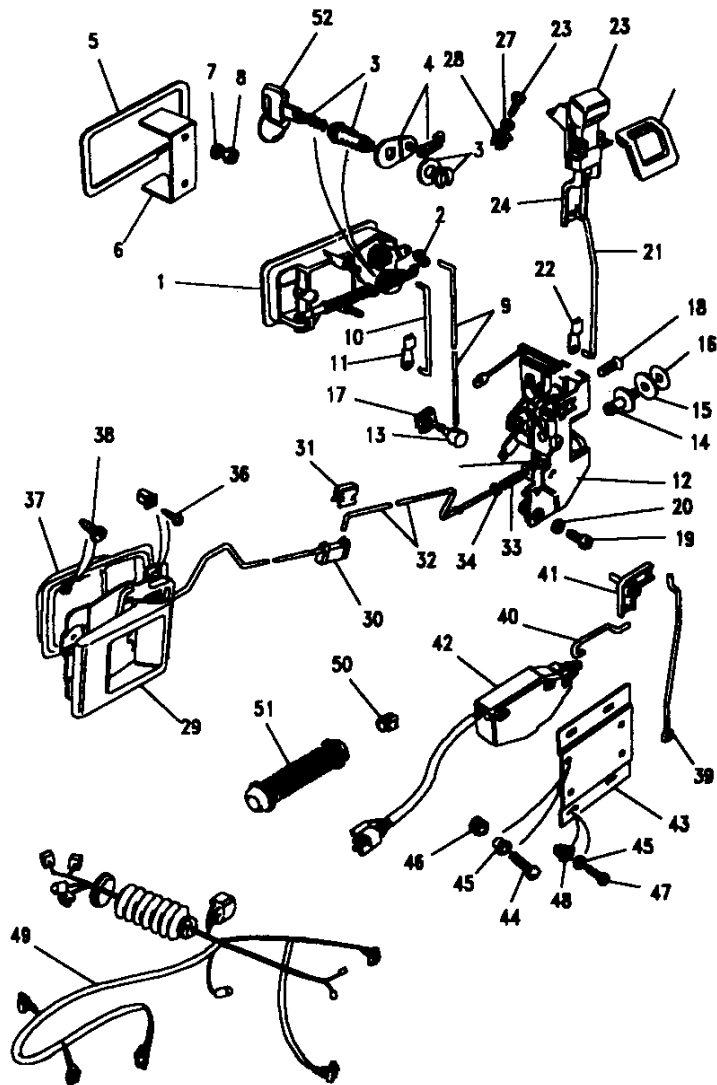
**Model** RANGE ROVER 1992 onwards  
**Page** BDNXHE1A

**BODY - DOOR LOCKS - 2 DOOR.**



III. Part No.	Description	Qty	Remarks
30	MXC1650	1	Link rod
	MXC1651	1	Link rod
31	MXC1657	2	Link rod
32	DBP6532PMA	1	Bezel RH
	DBP6533PMA	1	Bezel LH
33	DA608044L	2	Screw
34	JRC1775PMA	2	Button sill
	JRC1775LNF	2	Button sill
35	BRC8965PMA	2	Housing
36	MXC4738PMA	2	Escutcheon
	MXC4738LNF	2	Escutcheon
37	AB606041L	4	Screw
38	WA104001L	4	Washer plain
39	MWC1950	4	Nut
40	PRC4831	1	Actuator
	PRC3916	1	Actuator
41	ADU6780	4	Screw
42	WA104001L	4	Washer plain
43	UKC6684L	2	Cable clip

Note(1) COLOUR CODE. PMA - Black.

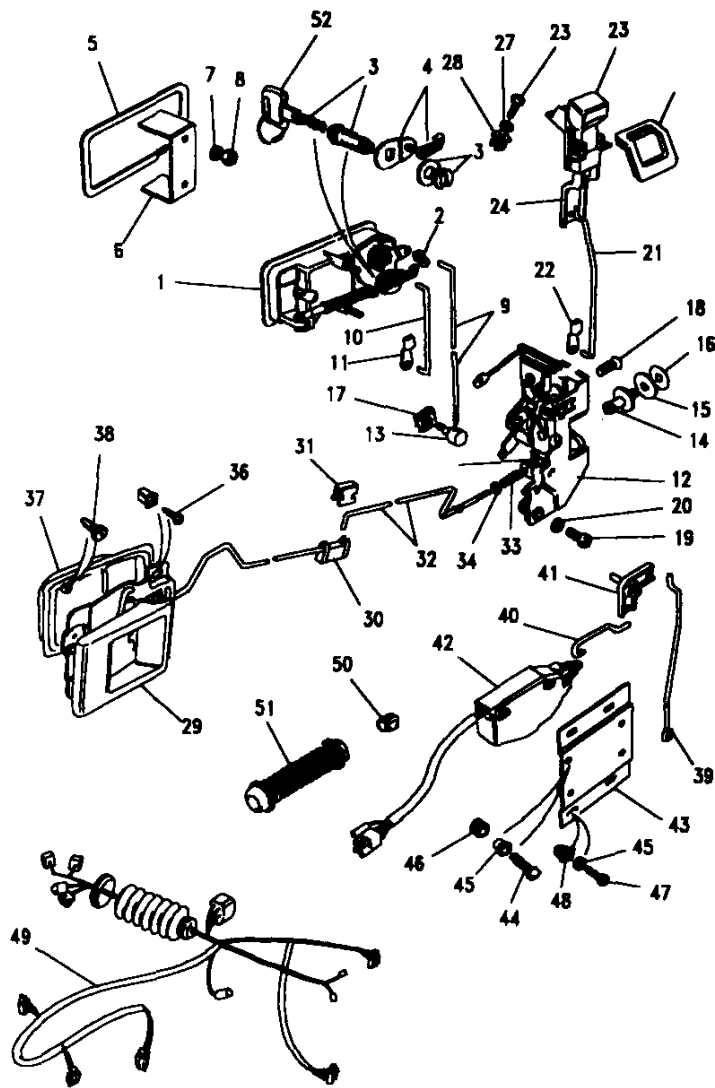


**Model** RANGE ROVER 1992 onwards  
**Page** BDNXHE2A

**BODY - DOOR LOCKS FRONT - NON HEATED - 4 DOOR.**

III. Part No.	Description	Qty	Remarks
1	MTC6738	1	Handle door outer RH
	MTC6742	1	Handle door outer LH
2	BFP1265L	2	Clip
3	RTC5024	1	Barrel lock door RH
4	RTC5555	1	Cam Link RH
			Red
3	RTC5025	1	Barrel lock door LH
4	RTC5556	1	Cam Link LH
			Blue
5	MXC3178	2	Seal
6	CZK8207	2	Bracket
7	WL700101L	4	Washer
8	NH910011L	4	Nut
9	MTC9145	2	Link
10	MTC7029	2	Link
	ALR3361	2	Link
			Note(1) Note(2)
11	MTC9623	2	Clip
12	MTC7593	1	Latch door RH
	MTC7592	1	Latch door LH
13	MTC9289	2	Link adjusting
14	390448	2	Striker
15	MWC7677	2	Gasket
16	391591	2	Shim
17	MTC9290	2	Clip

Note(1) Up to JA624755  
 Note(2) From KA624756  
 Note(3) When replacing RTC5024/5, also replace Cam link RTC5555/6.

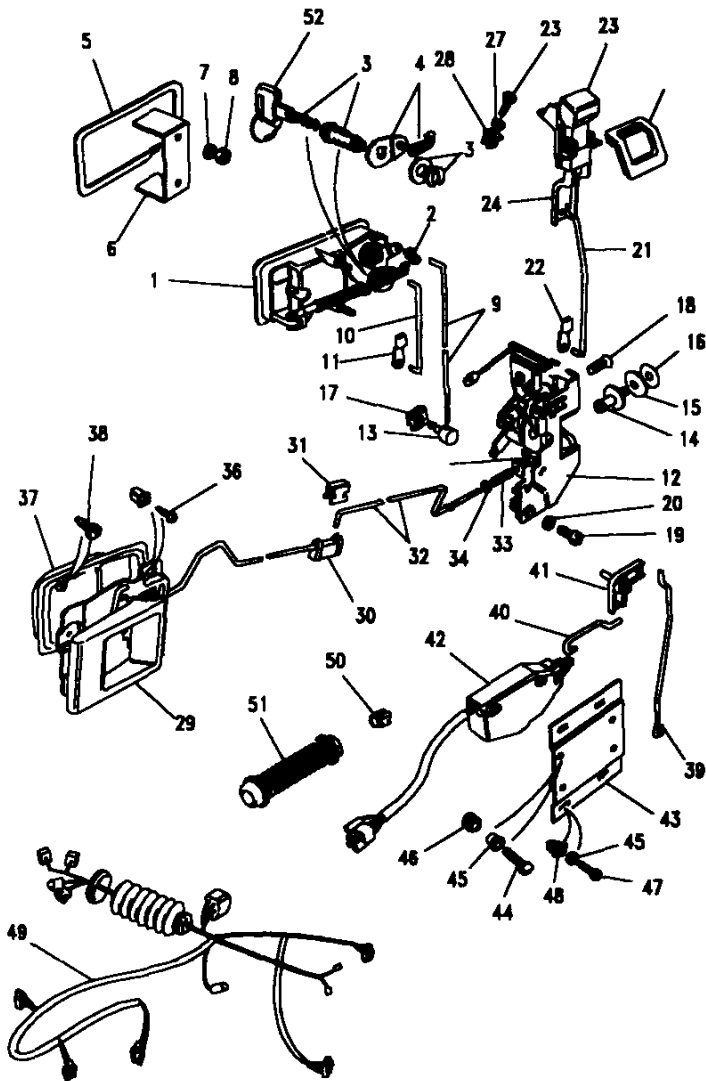


**Model** RANGE ROVER 1992 onwards  
**Page** BDNXHE2A

**BODY - DOOR LOCKS FRONT - NON HEATED - 4 DOOR.**

III. Part No.	Description	Qty	Remarks
18	SF106121L	4	Screw
19	SE106121L	2	Screw
20	WF702101L	2	Washer
21	MWC5124	2	Link
22	BRC1393	2	Clip
23	JRC1775RUN	2	Button sill
	JRC1775LNF	2	Button sill
24	BRC8965PMA	2	Housing
25	MXC4738RUN	2	Escutcheon
	MXC4738LNF	2	Escutcheon
26	AB606041L	4	Screw
27	WA104001L	4	Washer plain
28	MWC1950	4	Nut
29	MXC2722RUN	1	Handle door inner RH
	MXC2723RUN	1	Handle door inner LH
	MXC2722LNF	1	Handle door inner RH
	MXC2723LNF	1	Handle door inner LH
30	AFU3019	2	Connector
31	MTC6264	2	Clip
32	MWC6621	2	Link
33	MTC9505	2	Spring
34	WA704061	2	Washer plain
35	NH104041L	2	Nut

Note(1) COLOUR CODE. RUN - Bokhara, PMA - Black.

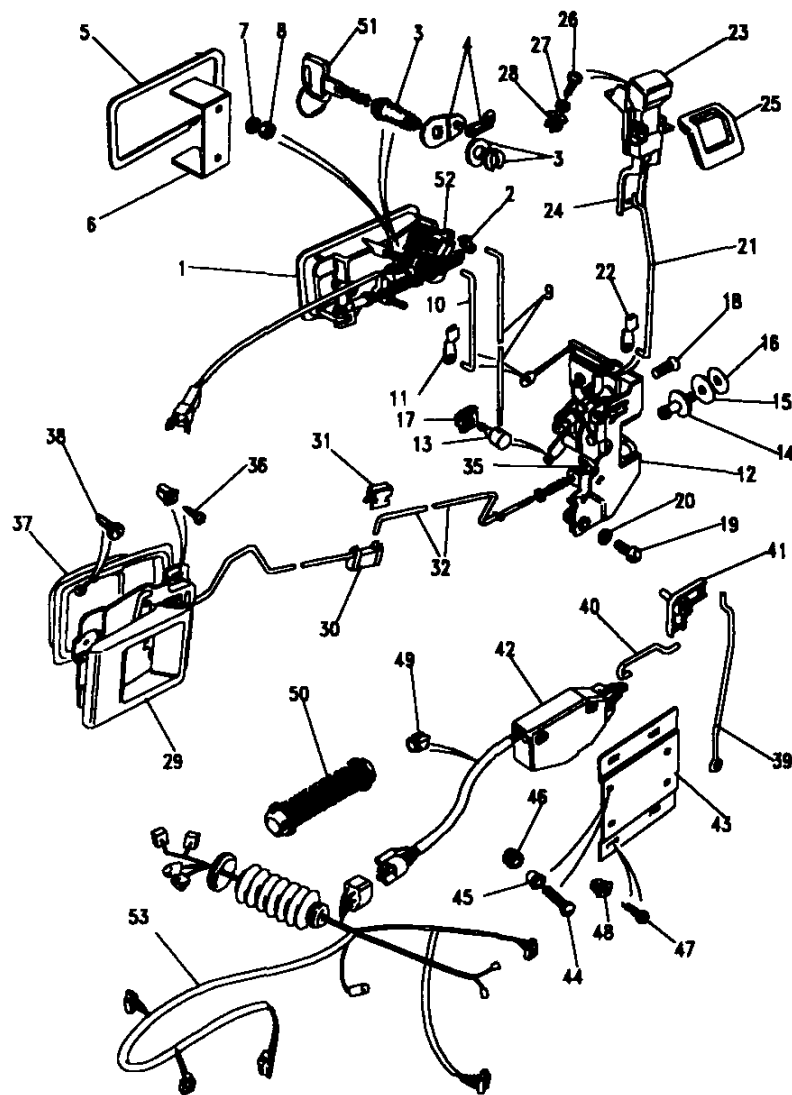


**Model** RANGE ROVER 1992 onwards  
**Page** BDNXHE2A

**BODY - DOOR LOCKS FRONT - NON HEATED - 4 DOOR.**

III. Part No.	Description	Qty	Remarks
36	AS604044	4	
37	DBP6532RUN	1	)Up to
	DBP6533RUN	1	)KA647644
	DBP6532LNF	1	)From
	DBP6533LNF	1	)MA647645
38	DA608044L	2	
39	MTC6864	1	
	MTC7032	1	
40	MXC8701	2	
41	MXC7336	1	
	MXC7337	1	
42	PRC8098	2	Up to MA647644
	AMR3384	2	From MA647645
43	MWC5126	2	
44	AB608051L	8	
45	EAM9067L	8	
46	EAM9066L	4	
47	ADU6780	8	
48	RTC3743	8	
49	PRC4719	1	
	PRC4721	1	
50	UKC6684L	2	
51	MUC6521	2	
52	MUC2153	1	

Note(1) COLOUR CODE. RUN - Bokhara.

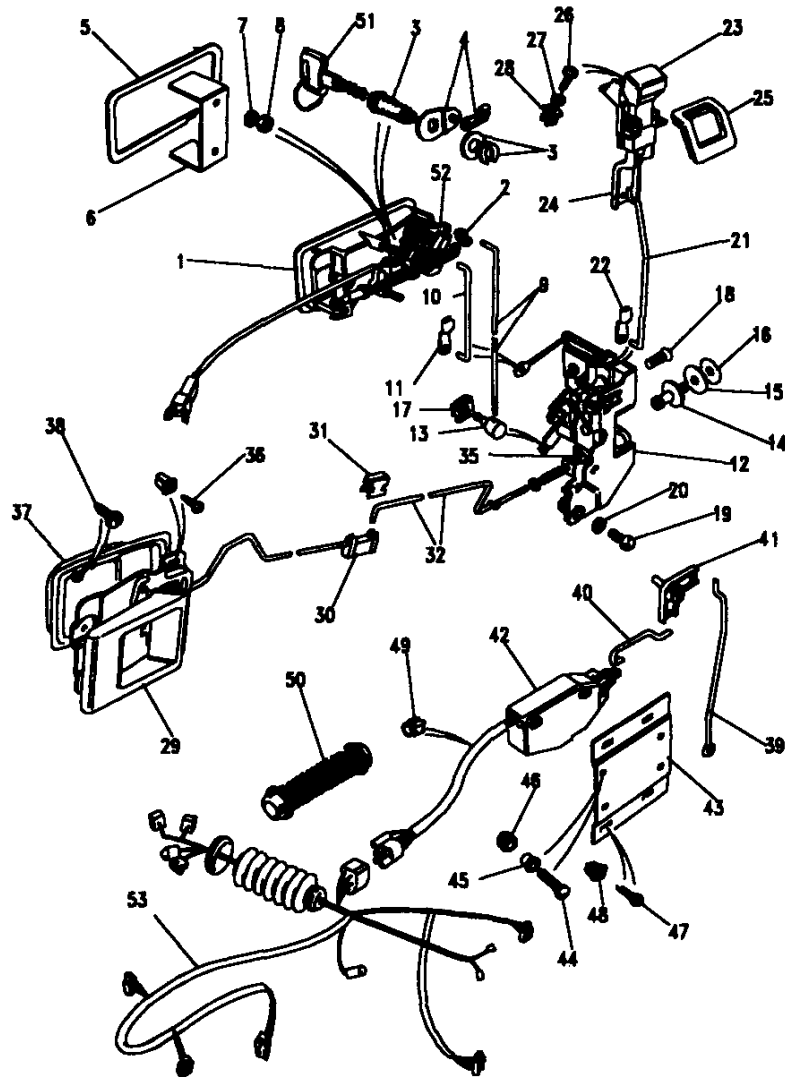


**Model** RANGE ROVER 1992 onwards  
**Page** BDNXHE3A

**BODY - DOOR LOCKS FRONT - HEATED - 4 DOOR.**

Ill. Part No.	Description	Qty	Remarks
1	MXC8924	1	
	MXC8925	1	
	ALR2114	1	)With
	ALR2115	1	)Alarm provision
2	BFP1265L	2	
3	RTC5024	1	
4	RTC5555	1	Red
	STC1219	1	Black - Alarm only
3	RTC5025	1	
4	RTC5556	1	Blue
	STC1220	1	Black - Alarm only
5	MXC3178	2	
6	CZK8207	2	
7	WL700101L	4	
8	NH910011L	4	
9	MTC9145	2	
10	MTC7029	2	Note(1)
	ALR3361	2	Note(2)
11	MTC9623	2	
12	MTC7593	1	
	MTC7592	1	
13	MTC9289	2	
14	390448	2	
15	MWC7677	2	
16	391591	2	
17	MTC9290	2	
18	SF106121L	4	

Note(1) Up to JA624755  
 Note(2) From KA624756  
 Note(3) When replacing RTC5024/5, also replace Cam link RTC5555/6.

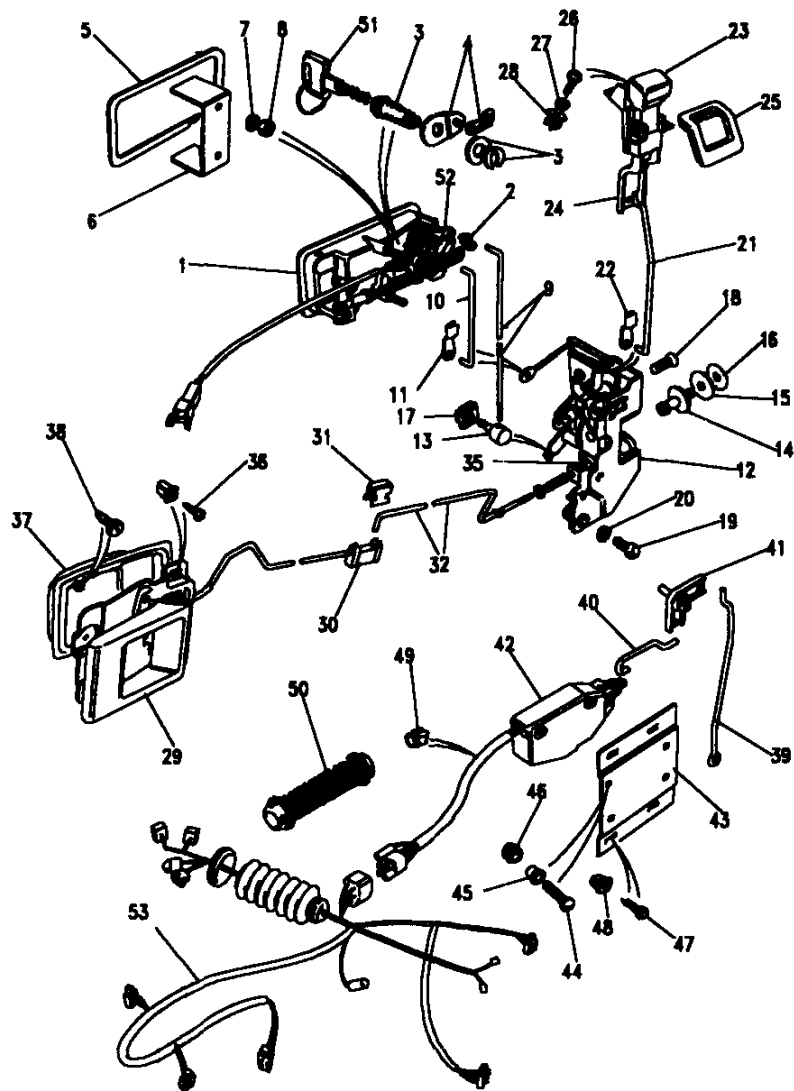


**Model** RANGE ROVER 1992 onwards  
**Page** BDNXHE3A

**BODY - DOOR LOCKS FRONT - HEATED - 4 DOOR.**

III. Part No.	Description	Qty	Remarks
19	SE106121L	2	
20	WF702101L	2	
21	MWC5124	2	
22	BRC1393	2	
23	JRC1775RUN	2	Up to KA647644
	JRC1775LNF	2	From MA647645
24	BRC8965PMA	2	
25	MXC4738RUN	2	Up to KA647644
	MXC4738LNF	2	From MA647645
26	AB606041L	4	
27	WA104001L	4	
28	MWC1950	4	
29	MXC2722RUN	1	)Up to
	MXC2723RUN	1	)KA647644
	MXC2722LNF	1	)From
	MXC2723LNF	1	)MA647645
30	AFU3019	2	
31	MTC6264	2	
32	MWC6621	2	
33	MTC9505	2	
34	WA704061	2	
35	NH104041L	2	
36	AS604044	4	

Note(1) COLOUR CODE. PMA - Black, RUN - Bokhara.



**Model** RANGE ROVER 1992 onwards  
**Page** BDNXHE3A

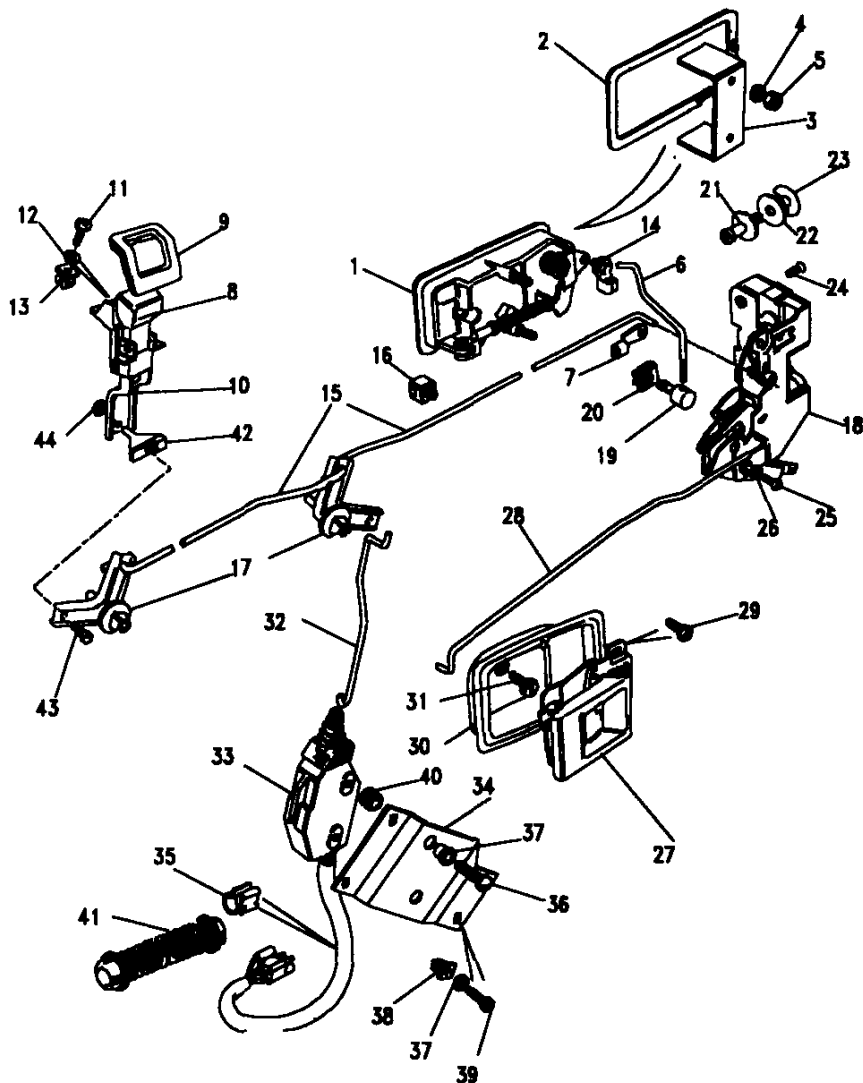
**BODY - DOOR LOCKS FRONT - HEATED - 4 DOOR.**

III. Part No.	Description	Qty	Remarks
37	DBP6532RUN	1	
	DBP6533RUN	1	
	DBP6532LNF	1	
	DBP6533LNF	1	
38	DA608044L	2	
39	MTC6864	1	
	MTC7032	1	
40	MXC8701	2	
41	MXC7336	1	
	MXC7337	1	
42	PRC8098	2	Up to KA647644
	AMR3384	2	From MA647645
43	MWC5126	2	
44	AB608051L	8	
45	EAM9067L	8	
46	EAM9066L	4	
47	ADU6780	8	
48	RTC3743	8	
49	UKC6684L	2	
50	MUC6521	2	
51	MUC2153	1	
52	STC382	1	
	STC383	1	
53	PRC4719	1	
	PRC4721	1	

Note(1) COLOUR CODE. RUN - Bokhara.

**Model** RANGE ROVER 1992 onwards  
**Page** BDNXH11A

**BODY - DOOR LOCKS REAR.**

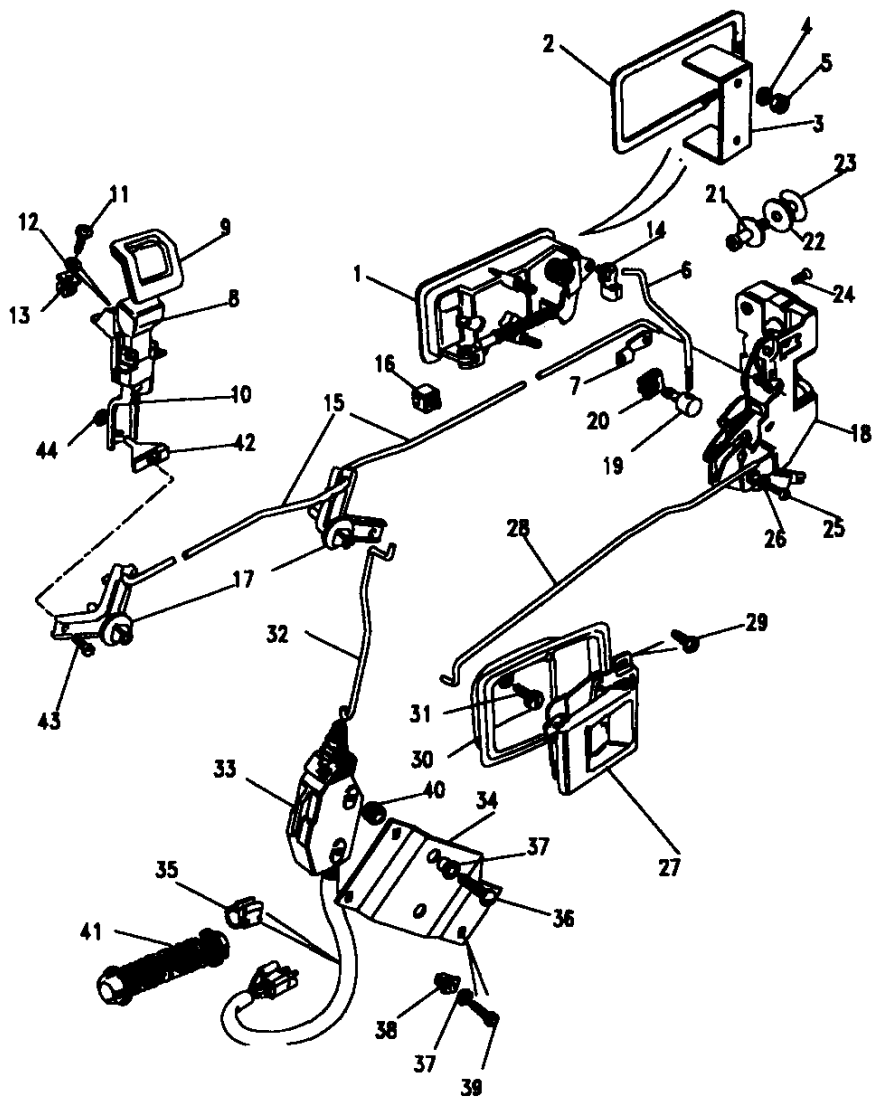


Ill. Part No.	Description	Qty	Remarks
1	MTC9114	1	Handle door outer RH
	MTC9113	1	Handle door outer LH
2	MXC3178	2	Seal
3	MTC7188	2	Bracket
4	WL700101L	4	Washer
5	NY910041L	4	Nut
6	MXC4605	2	Link
7	BFP1265L	2	Clip
8	JRC1775RUN	2	Button sill
	JRC1775LNF	2	Button sill
9	MXC4738RUN	2	Escutcheon
	MXC4738RUN	2	Escutcheon
10	BRC8965RUN	2	Housing
11	AB606041L	4	Screw
12	WA104001L	4	Washer plain
13	MWC1950	4	Nut
14	BRC1393	2	Clip
15	MWC5150	1	Link RH
	MWC5151	1	Link LH
<b>108" L.W.B. ONLY.</b>			
	ALR1502	1	Link RH
	ALR1503	1	Link LH



**Model** RANGE ROVER 1992 onwards  
**Page** BDNXH1A

**BODY - DOOR LOCKS REAR.**



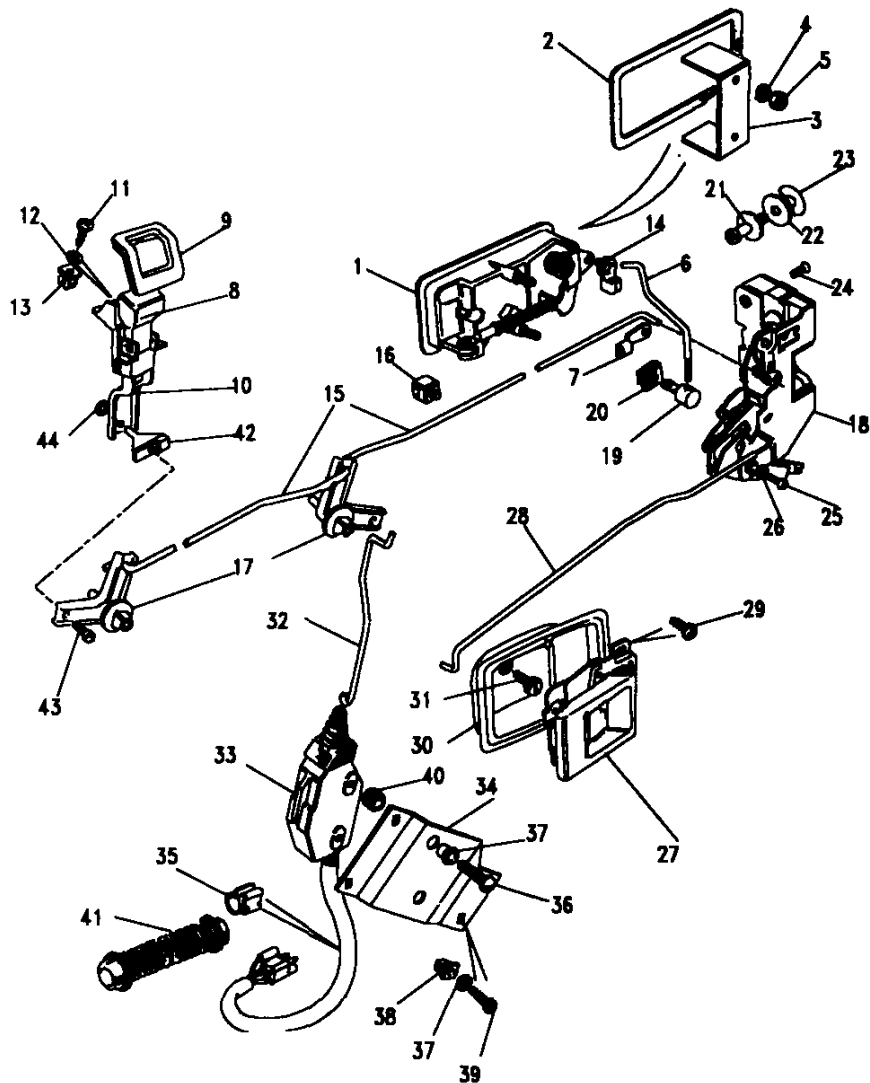
Ill. Part No.	Description	Qty	Remarks
16	MTC9625	2	
17	MWC5360	4	Note(1)
	AFU1896L	4	Note(2)
18	MTC9204	1	Latch door RH
	MTC9203	1	Latch door LH
19	MTC9289	2	Link adjusting
20	MTC9290	2	Clip
21	390448	2	Striker
22	MWC7677	2	Gasket
23	391591	2	Shim
24	SF106121L	4	Screw
25	SE106121L	2	Screw
26	WF702101L	2	Washer
27	MXC2722RUN	1	Handle door inner RH
	MXC2723RUN	1	Handle door inner LH
	MXC2722LNF	1	Handle door inner RH
	MXC2723LNF	1	Handle door inner LH
28	MWC5144	1	Link RH
	MWC5145	1	Link LH
29	AS604044	4	Drive

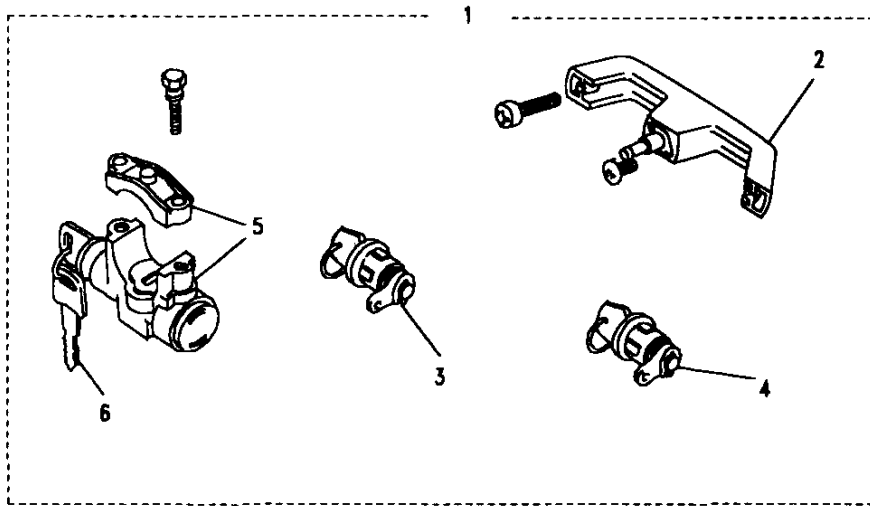
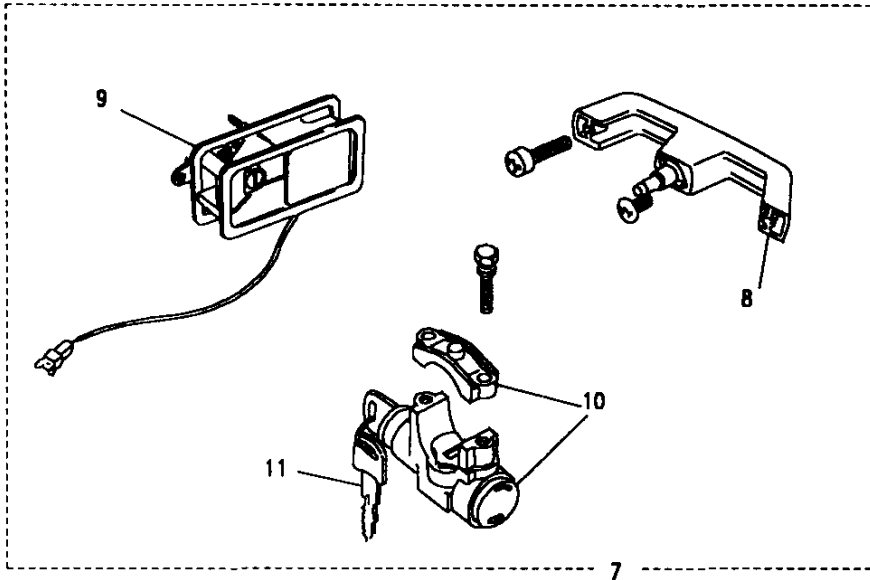
Note(1) Up to KA633482  
 Note(2) From KA633483

**Model** RANGE ROVER 1992 onwards  
**Page** BDNXH11A

**BODY - DOOR LOCKS REAR.**

III. Part No.	Description	Qty	Remarks
30	DBP6532RUN	1	)Up to
	DBP6533RUN	1	)KA647644
	DBP6532LNF	1	)From
	DBP6533LNF	1	)MA647645
31	DA608044L	2	
32	MWC5148	1	
	MWC5149	1	
33	PRC8099	2	Up to KA647644
	AMR3382	2	From MA647645
34	MXC1480	1	
	MXC1481	1	
35	345862	A/R	
36	AB608051L	8	
37	EAM9067L	8	
38	CZK3264	8	
39	ADU6780	8	
40	EAM9066L	4	
41	DRC5377	2	
42	MUC5783	2	
43	AB606031L	2	
44	AN104041L	2	

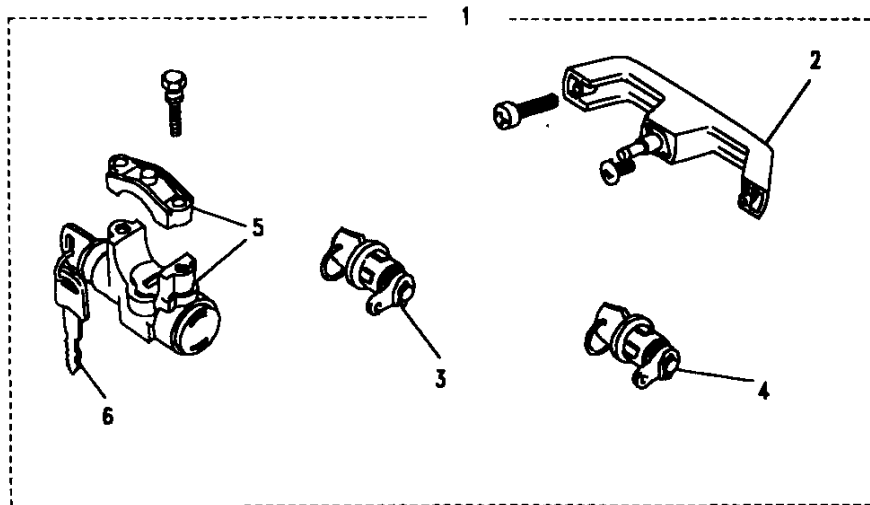
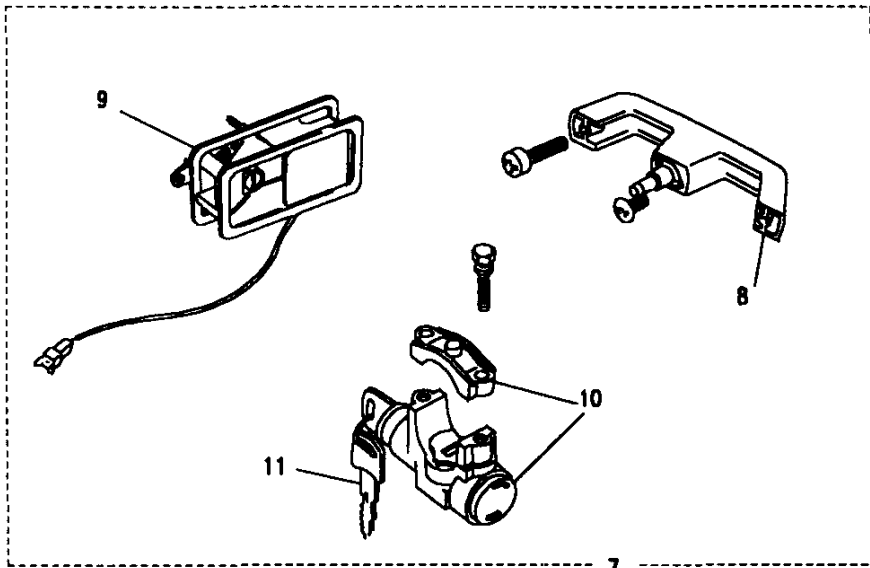




**Model** RANGE ROVER 1992 onwards  
**Page** BDNXHK1A

**BODY - LOCKSETS - 1992 MODEL YEAR (JA CHASSIS RANGE)**

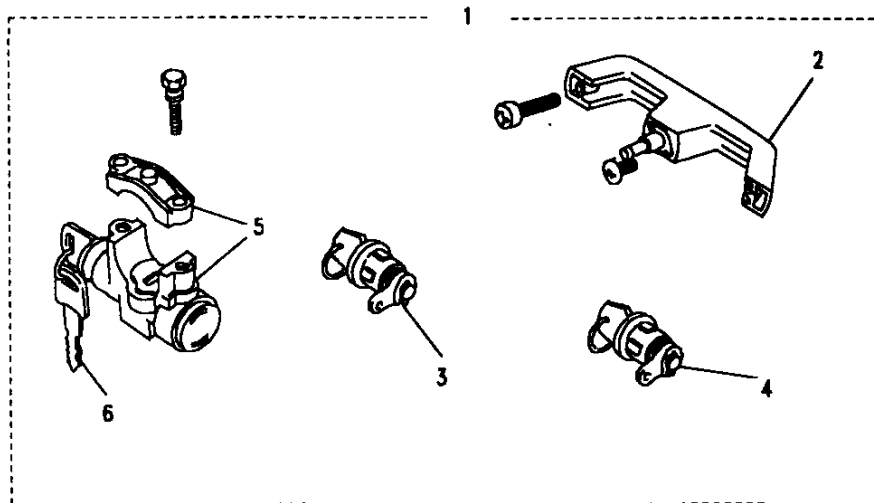
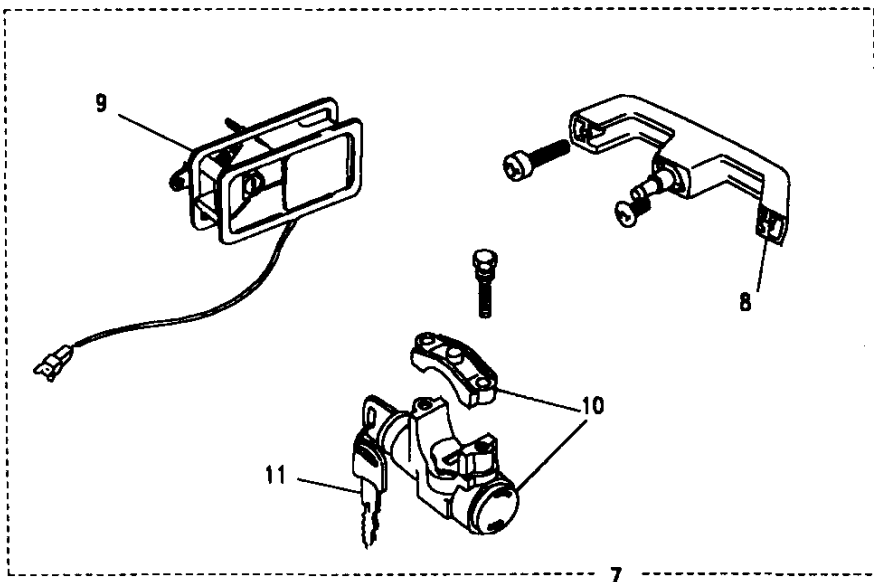
III. Part No.	Description	Qty	Remarks
<b>2 Door vehicles</b>			
1	MXC9783	1	Lockset
2	MWC8656	1	Handle tailgate
3	391148	1	Door lock RH
4	391149	1	Door lock LH
5	PRC8907	1	Lock steering column
6	MUC2153	1	Key blank
<b>4 Door vehicles - non shift interlocking - non heated</b>			
7	ALR2326	1	Lockset
8	MWC8656	1	Handle tailgate
9	MTC6738	1	Handle door outer RH
	MTC6742	1	Handle door outer LH
10	PRC8907	1	Lock steering column
11	MUC2153	1	Key blank
<b>4 Door vehicle - non shift interlocking - heated</b>			
7	MXC9762	1	Lockset
8	MWC8656	1	Handle tailgate
9	MXC8924	1	Handle door outer RH
	MXC8925	1	Handle door outer LH
10	PRC8907	1	Lock steering column
11	MUC2153	1	Key blank



**Model** RANGE ROVER 1992 onwards  
**Page** BDNXHK1A

**BODY - LOCKSETS - 1992 MODEL YEAR (JA CHASSIS RANGE)**

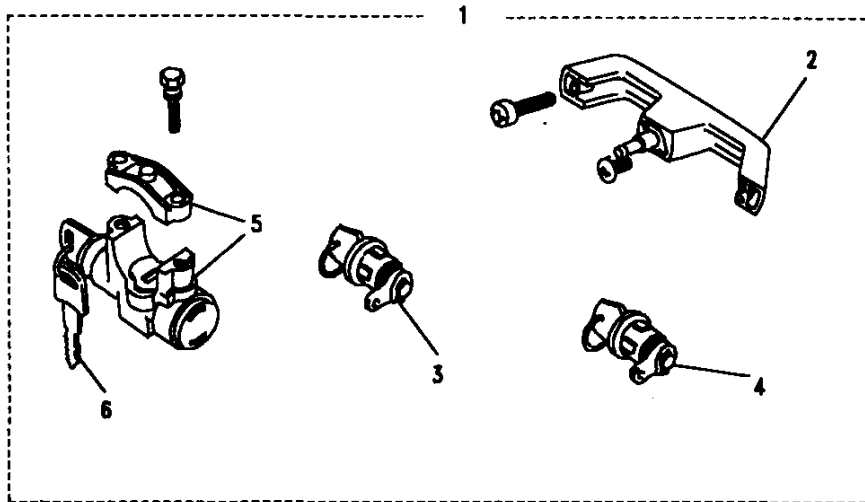
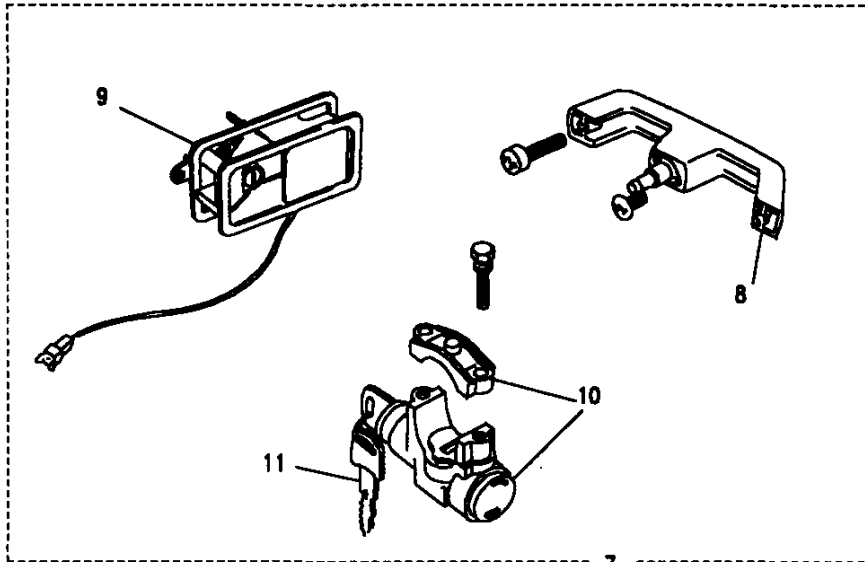
III. Part No.	Description	Qty	Remarks
4	Door vehicle - with shift interlocking - heated - Japan only		
7	ALR2241 Lockset	1	
8	MWC8856 Handle tailgate	1	
9	MXC8924 Handle door outer RH	1	
	MXC8925 Handle door outer LH	1	
10	NTC9440 Lock steering column	1	
11	MUC2153 Key blank	1	



**Model** RANGE ROVER 1992 onwards  
**Page** BDNXHK1A

**BODY - LOCKSETS - 1993 MODEL YEAR (KA CHASSIS RANGE)**

III. Part No.	Description	Qty	Remarks
<b>2 Door vehicles</b>			
1	MXC9783	1	Lockset
2	MWC8656	1	Handle tailgate
3	391148	1	Door lock RH
4	391149	1	Door lock LH
5	PRC8907	1	Lock steering column
6	MUC2153	1	Key blank
<b>4 Door vehicles - non shift interlocking - non heated</b>			
7	ALR2326	1	Lockset
8	MWC8656	1	Handle tailgate
9	MTC6738	1	Handle door outer RH
	MTC6742	1	Handle door outer LH
10	PRC8907	1	Lock steering column
11	MUC2153	1	Key blank
<b>4 Door vehicle - non shift interlocking - heated</b>			
7	ALR3726	1	Lockset
8	MWC8656	1	Handle tailgate
9	ALR3724	1	Handle door outer RH
	ALR3725	1	Handle door outer LH
10	PRC8907	1	Lock steering column
11	MUC2153	1	Key blank
<b>4 Door vehicle - with shift interlocking - heated.</b>			
7	ALR2324	1	Lockset
8	MWC8656	1	Handle tailgate
9	ALR3724	1	Handle door outer RH
	ALR3725	1	Handle door outer LH
10	NTC9588	1	Lock steering column
11	MUC2153	1	Key blank

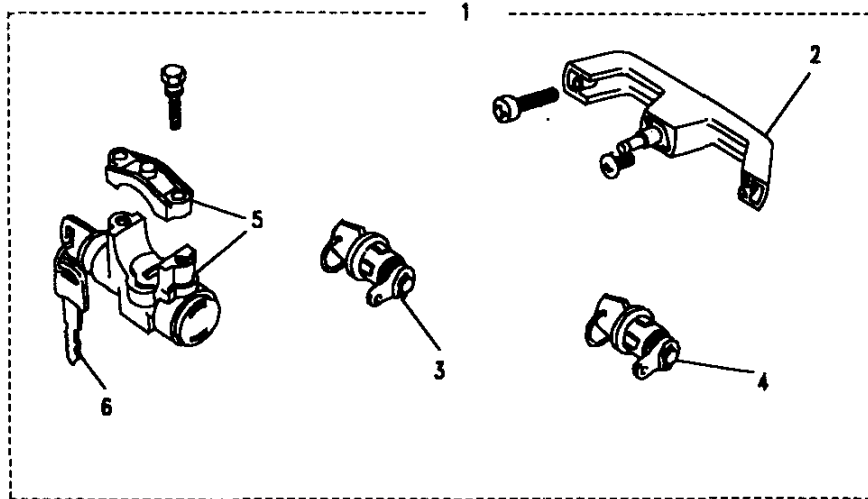
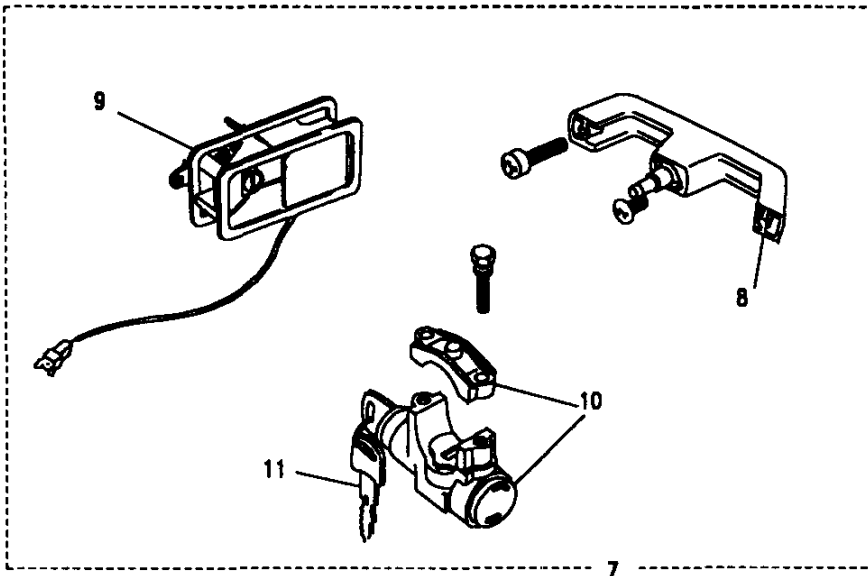


**Model** RANGE ROVER 1992 onwards  
**Page** BDNXHK1A

**BODY - LOCKSETS - 1993 MODEL YEAR (KA CHASSIS RANGE)**

III. Part No.	Description	Qty	Remarks
<b>4</b>	<b>Door vehicle - non shift interlocking - non heated - alarm</b>		
7	ALR2116 Lockset	1	
8	MWC8656 Handle tailgate	1	
9	ALR2112 Handle door outer RH	1	
	ALR2113 Handle door outer LH	1	
10	PRC8907 Lock steering column	1	
11	MUC2153 Key blank	1	
<b>4</b>	<b>Door vehicle - non shift interlocking - heated - alarm</b>		
7	ALR2117 Lockset	1	Note(1)
	ALR2116 Lockset	1	Notes(2 & 3)
8	MWC8656 Handle tailgate	1	
9	ALR2114 Handle door outer RH	1	
	ALR2115 Handle door outer LH	1	
10	PRC8907 Lock steering column	1	
11	MUC2153 Key blank	1	
<b>4</b>	<b>Door vehicle - with shift interlocking - heated - alarm</b>		
7	ALR2122 Lockset	1	Note(1)
	ALR4950 Lockset	1	Notes(2 & 3)
8	MWC8656 Handle tailgate	1	
9	ALR2114 Handle door outer RH	1	
	ALR2115 Handle door outer LH	1	
10	NTC9588 Lock steering column	1	
11	MUC2153 Key blank	1	

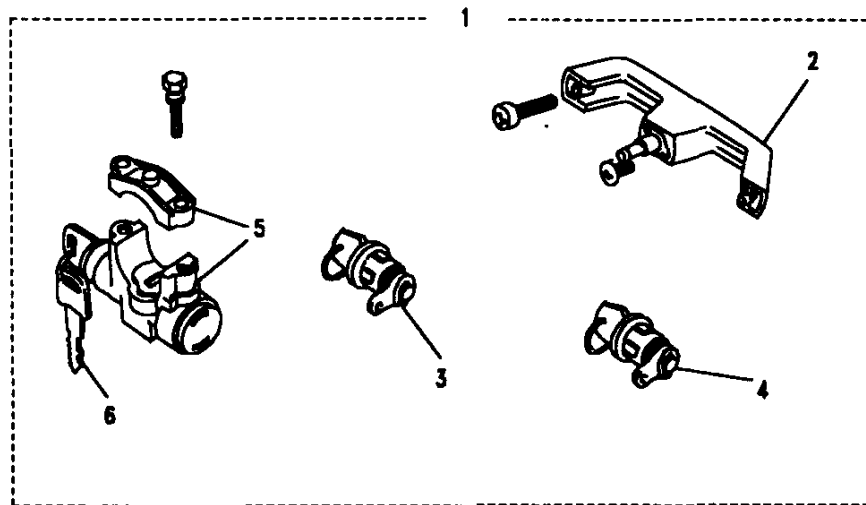
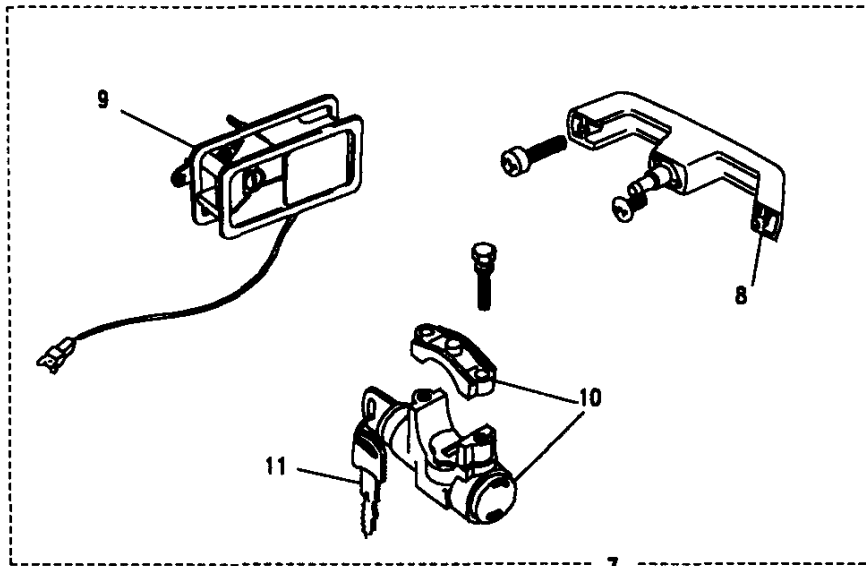
Note(1) Up to KA635927  
 Note(2) From KA635928  
 Note(3) From KA635928 heater element deleted from lockset.



**Model** RANGE ROVER 1992 onwards  
**Page** BDNXHK1A

**BODY - LOCKSETS - 1995 MODEL YEAR (MA CHASSIS RANGE)**

III. Part No.	Description	Qty	Remarks
<b>4 Door vehicles - non shift interlocking - non heated</b>			
7	ALR5213	1	Lockset
8	MWC8656	1	Handle tailgate
9	MTC6738	1	Handle door outer RH
	MTC6742	1	Handle door outer LH
10	NTC9951	1	Lock steering column
11	CWE10032	1	Key blank
<b>4 Door vehicle - non shift interlocking - heated</b>			
7	ALR5223	1	Lockset
8	MWC8656	1	Handle tailgate
9	ALR3724	1	Handle door outer RH
	ALR3725	1	Handle door outer LH
10	NTC9951	1	Lock steering column
11	CWE10032	1	Key blank
<b>4 Door vehicle - non shift interlocking - non heated - alarm</b>			
7	ALR5216	1	Lockset
8	MWC8656	1	Handle tailgate
9	ALR2112	1	Handle door outer RH
	ALR2113	1	Handle door outer LH
10	NTC9951	1	Lock steering column
11	CWE10032	1	Key blank



**Model** RANGE ROVER 1992 onwards  
**Page** BDNXHK1A

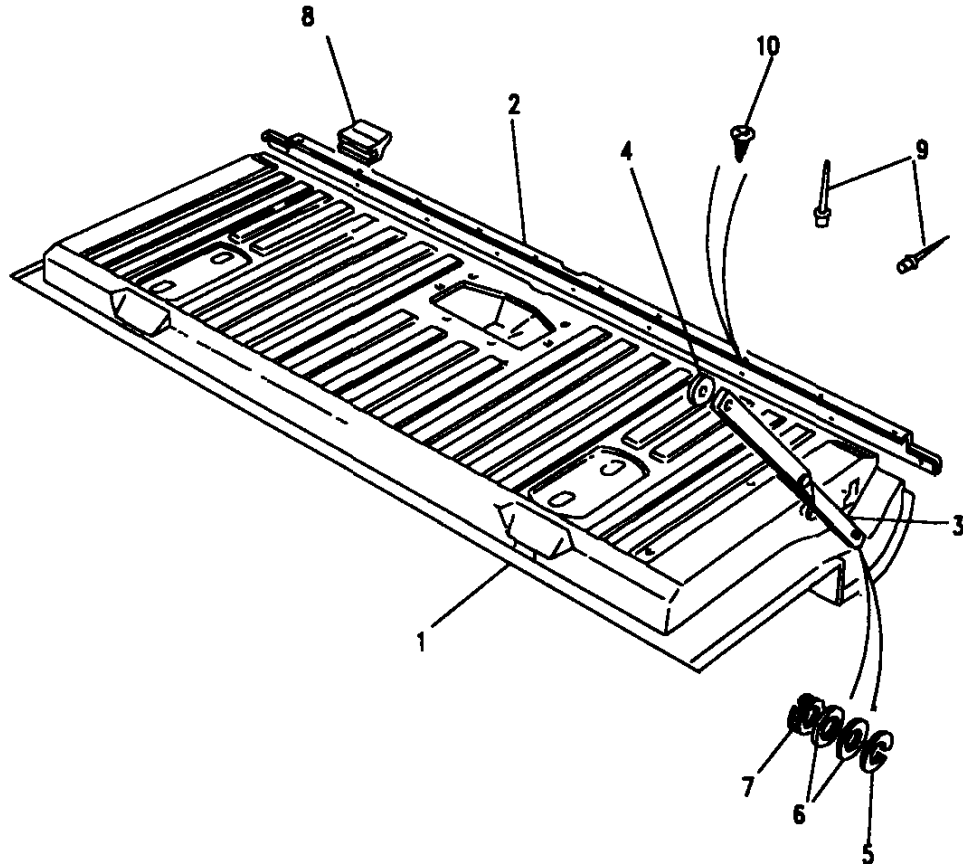
**BODY - LOCKSETS - 1995 MODEL YEAR (MA CHASSIS RANGE)**

III. Part No.	Description	Qty	Remarks
4	Door vehicle - with shift interlocking - heated - alarm		
7	ALR2122 Lockset	1	
8	MWC8656 Handle tailgate	1	
9	ALR2114 Handle door outer RH	1	
	ALR2115 Handle door outer LH	1	
10	NTC9952 Lock steering column	1	
11	CWE10032 Key blank	1	



**Model** RANGE ROVER 1992 onwards  
**Page** BDNXIA1A

**BODY - LOWER TAILGATE.**

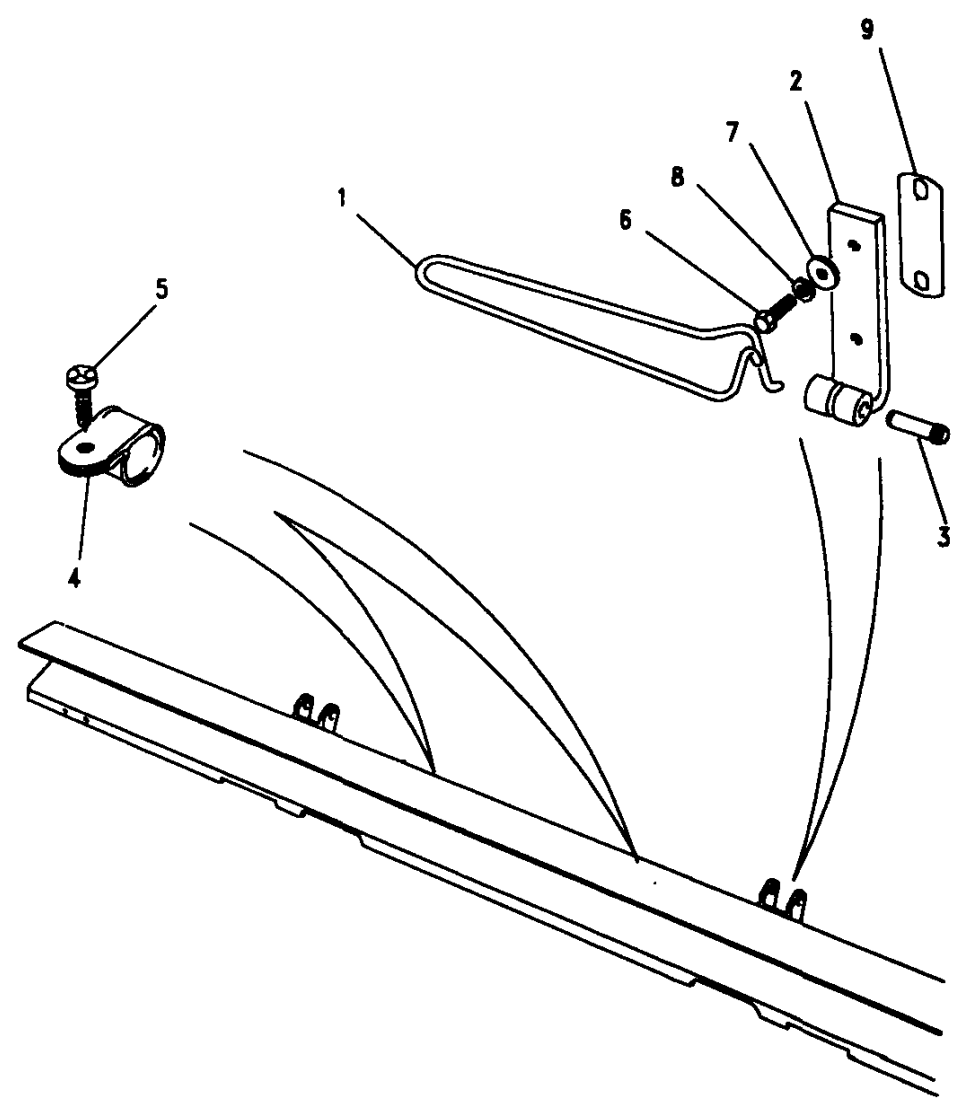


III. Part No.	Description	Qty	Remarks
1 MXC9489	Tailgate lower	1	
<b>France only</b>			
2 MWC2278	Retainer	1	Note(1)
ALR4756	Retainer	1	Note(2)
<b>All territories except France</b>			
2 MWC6137	Retainer	1	Note(1)
ALR4757	Retainer	1	Note(2)
<b>All variants</b>			
3 MXC9472	Stay RH	1	
MXC9473	Stay LH	1	
4 393388	Spacer	2	
5 391023	Circlip	2	
6 RTC806	Washer	8	
7 4909	Washer spring	4	
8 MRC4705	Catch	2	
9 MTC5762	Rivet	17	
10 AY606105	Screw	A/R	

Note(1) Up to KA629455  
 Note(2) From KA629456

Model RANGE ROVER 1992 onwards  
 Page BDNXIC1A

**BODY - TORSION SPRING LOWER TAILGATE**

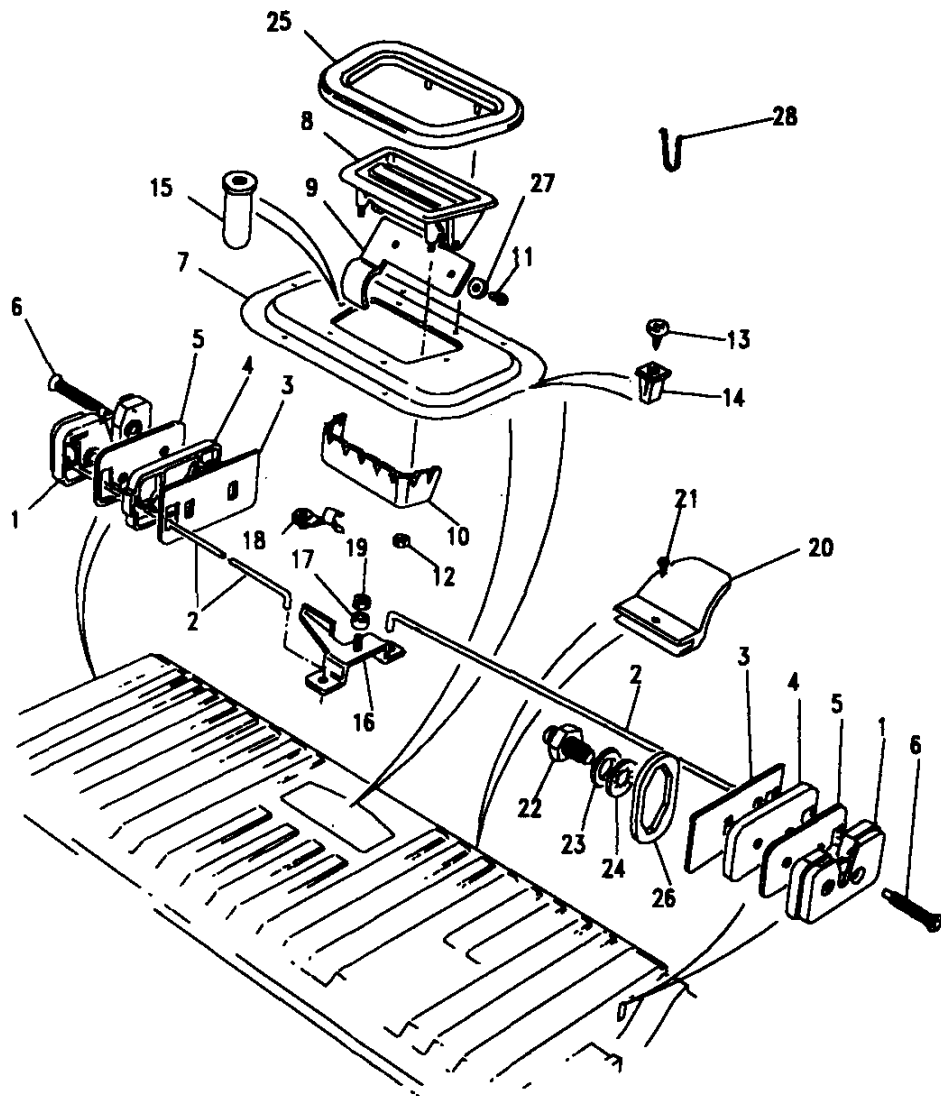


III. Part No.	Description	Qty	Remarks
1	MTC5804	1	Spring torsion RH
	MTC5805	1	Spring torsion LH
2	MXC8391	2	Hinge
	ALR8915	2	Hinge
3	MTC8877	2	Hinge Pin
4	ATU1017L	2	Clip
5	AFU3002	2	Screw
6	256223	4	Screw
7	4594L	4	Washer plain
8	WM600051L	4	Washer spring
9	MXC8454	2	Gasket

**Model** RANGE ROVER 1992 onwards  
**Page** BDNXIC2A

**BODY - LOCK LOWER TAILGATE.**

Ill. Part No.	Description	Qty	Remarks
1	MWC2638 Latch	2	
2	MWC1394 Link	2	
3	MWC2485 Gasket	2	
4	MWC4814 Spacer	2	
5	MWC1399 Seal	2	
6	GU108501L Screw	2	
7	MWC2262 Cover plate	1	
8	MWC2260 Handle door inner	1	
9	MWC1384 Lever	1	
10	BRC1482L Bracket	1	
11	SL103121L Screw	2	
12	NH104041L Nut	2	
13	AB608047L Screw	1	
14	RTC3743 Nut	6	
15	MWC2707 Bush	6	
16	MWC4818 Cam	1	
17	MWC4406 Bush	1	
18	BFP1265L Clip linkage	2	
19	NY910041L Nut	1	
20	MWC1654 Tab	2	
21	AD806035L Screw	2	
22	MWC2750 Striker	2	
23	MWC7678 Gasket	2	
24	WF600121L Washer	2	
25	MWC2480 Finisher	1	
26	MWC3085 Pad	2	
27	WA104001L Washer	4	
28	MXC3177L Clip	6	



**Model** RANGE ROVER 1992 onwards  
**Page** BDNXIE1A

**BODY - UPPER TAILGATE.**

**III. Part No. Description Qty Remarks**

**With central locking**

1 ALR4637 Tailgate assembly 1 Note(1)  
 ALR6080 Tailgate assembly 1 Note(2)

**With high level stop lamp**

ALR4852 Tailgate assembly 1 Note(1)  
 ALR6081 Tailgate assembly 1 Note(2)

**Sundym - heated**

2 MXC1377 Glass 1

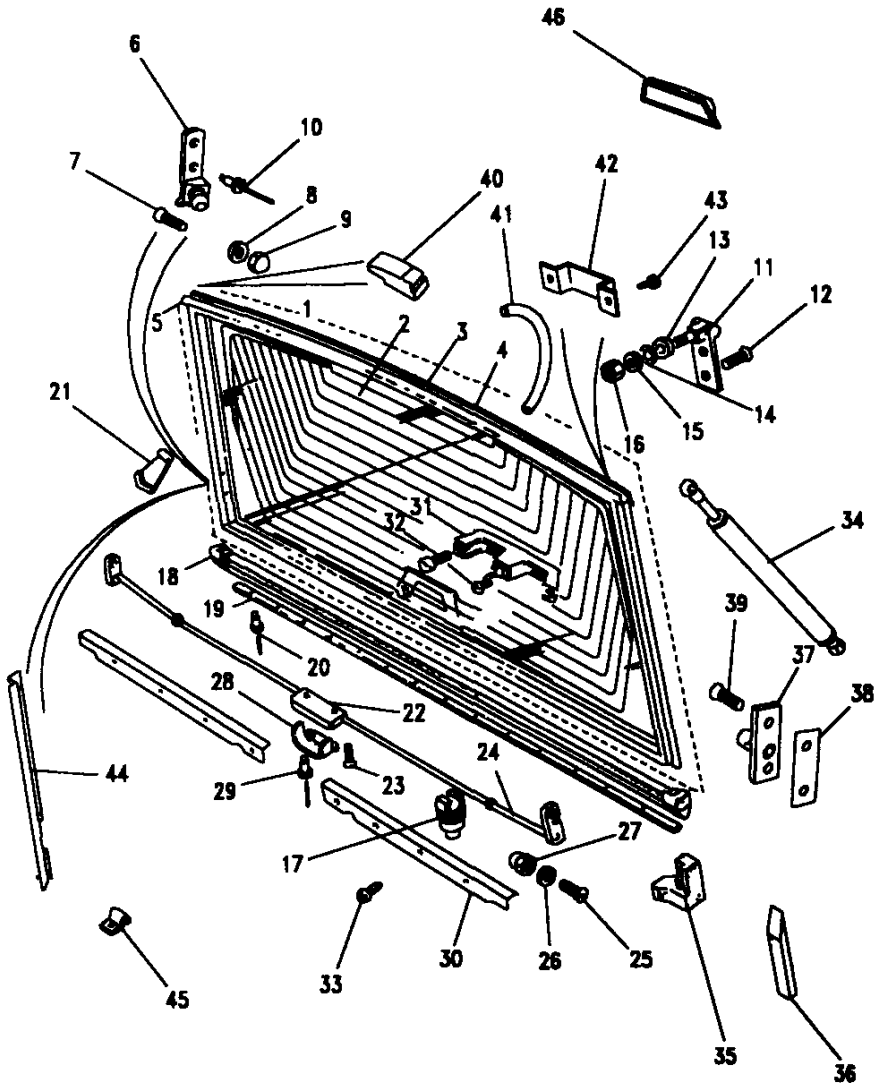
**High level stop lamp**

2 MXC5791 Glass 1

**All variants**

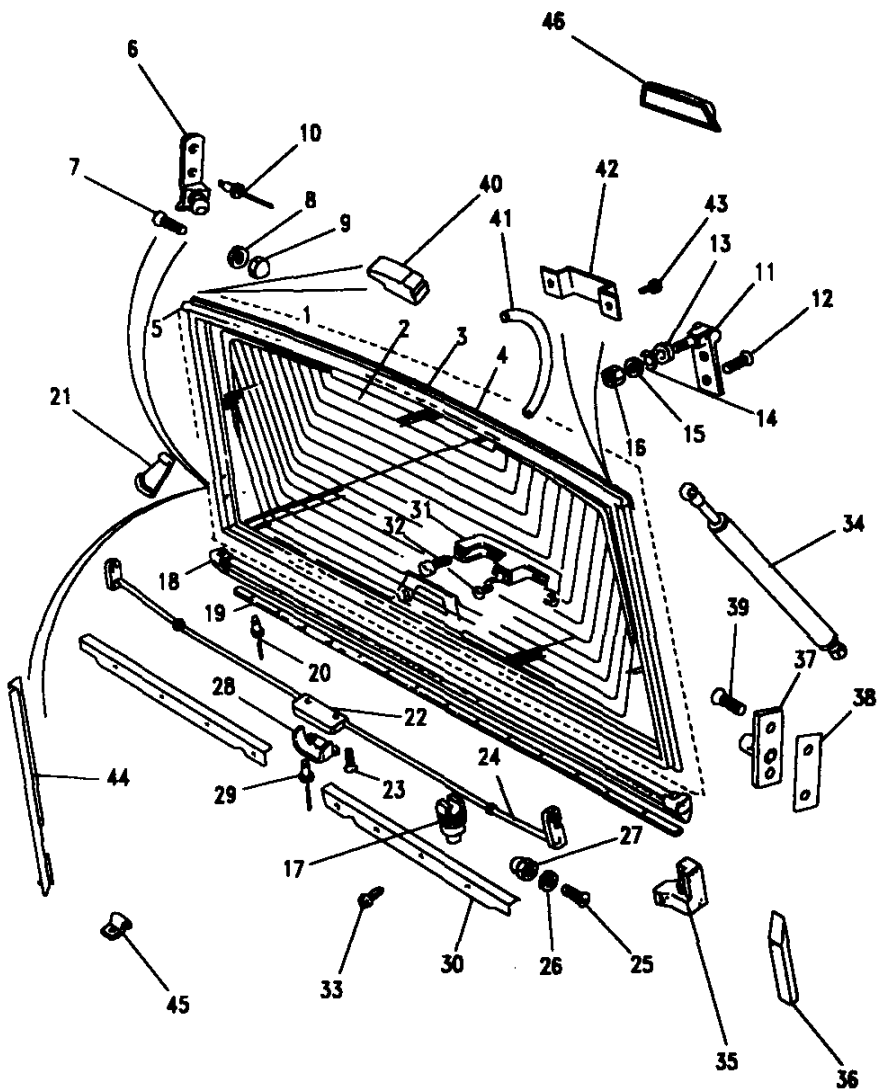
3 NLS Tailgate frame 1 Use complete assy  
 4 RTC4264 Seal A/R  
 5 MWC9493 Drain channel 1 Retain with item 20  
 6 MXC1382 Bracket support RH 1  
 MXC1383 Bracket support LH 1  
 7 SF804127 Screw 4  
 8 WC702101L Washer 2  
 9 RTC3953 Nut 2  
 10 RTC3954 Rivet 2

Note(1) From KA629456 up to KA647644  
 Note(2) From MA647645



**Model** RANGE ROVER 1992 onwards  
**Page** BDNXIE1A

**BODY - UPPER TAILGATE.**

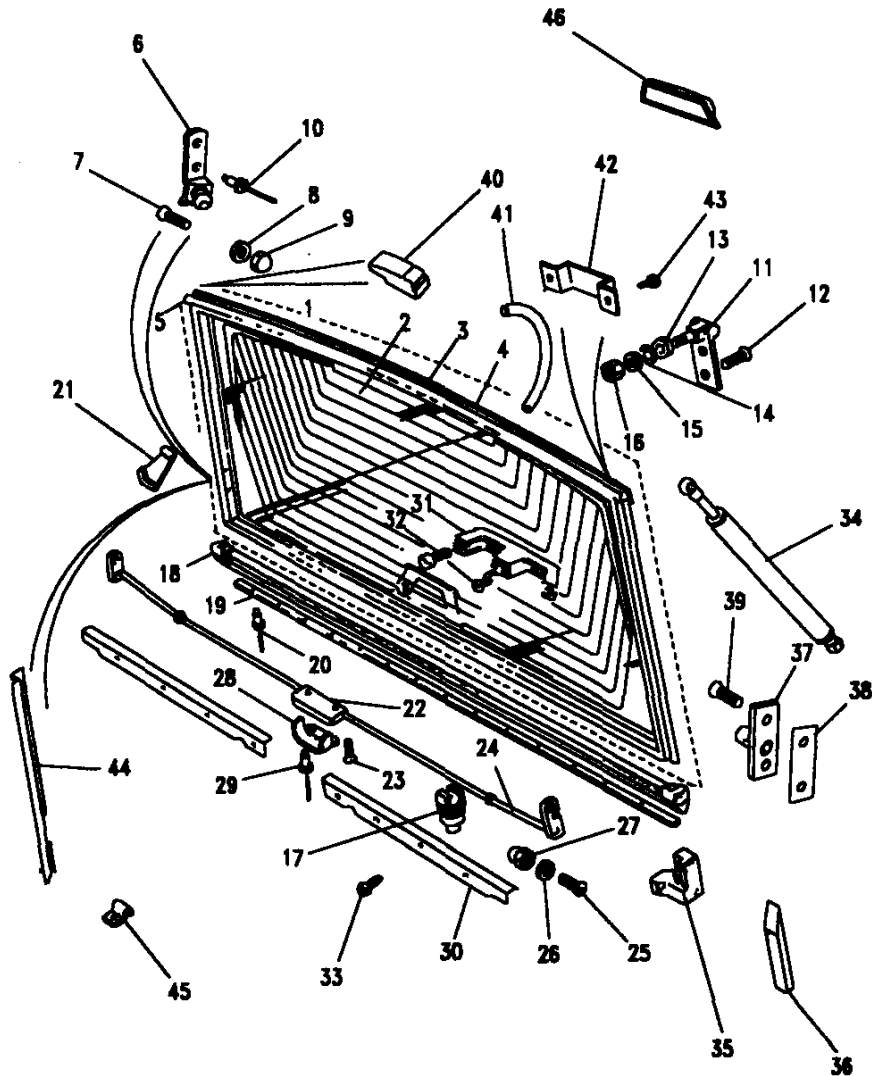


III. Part No.	Description	Qty	Remarks
11 390084	Hinge RH	1	)Note(1)
390085	Hinge LH	1	
ALR4638	Hinge RH	1	)Note(2)
ALR4639	Hinge LH	1	
12 MWC9805	Screw	4	
13 MUC3905	Washer	2	
14 3982L	Washer plain	2	
15 WM600051L	Washer spring	2	
16 NY604041L	Nut	2	
17 79124	Clip linkage	2	
18 MXC8422	Seal tailgate	1	
19 MTC7553	Retainer	1	
20 RU608123L	Rivet	8	
21 MRC7257	Clip	2	
22 MUC6938	Lock tailgate	1	
23 SA105201	Screw	2	
24 MXC8420	Lock extension RH	1	
MXC8421	Lock extension LH	1	
25 SF604087	Screw	4	
26 WA106041L	Washer plain	2	
27 RTC1146	Nut	2	
28 MUC1987	Shield	2	
29 RA608127	Rivet	2	

Note(1) From KA629456  
 Note(2) From KA629456

**Model** RANGE ROVER 1992 onwards  
**Page** BDNXIE1A

**BODY - UPPER TAILGATE.**

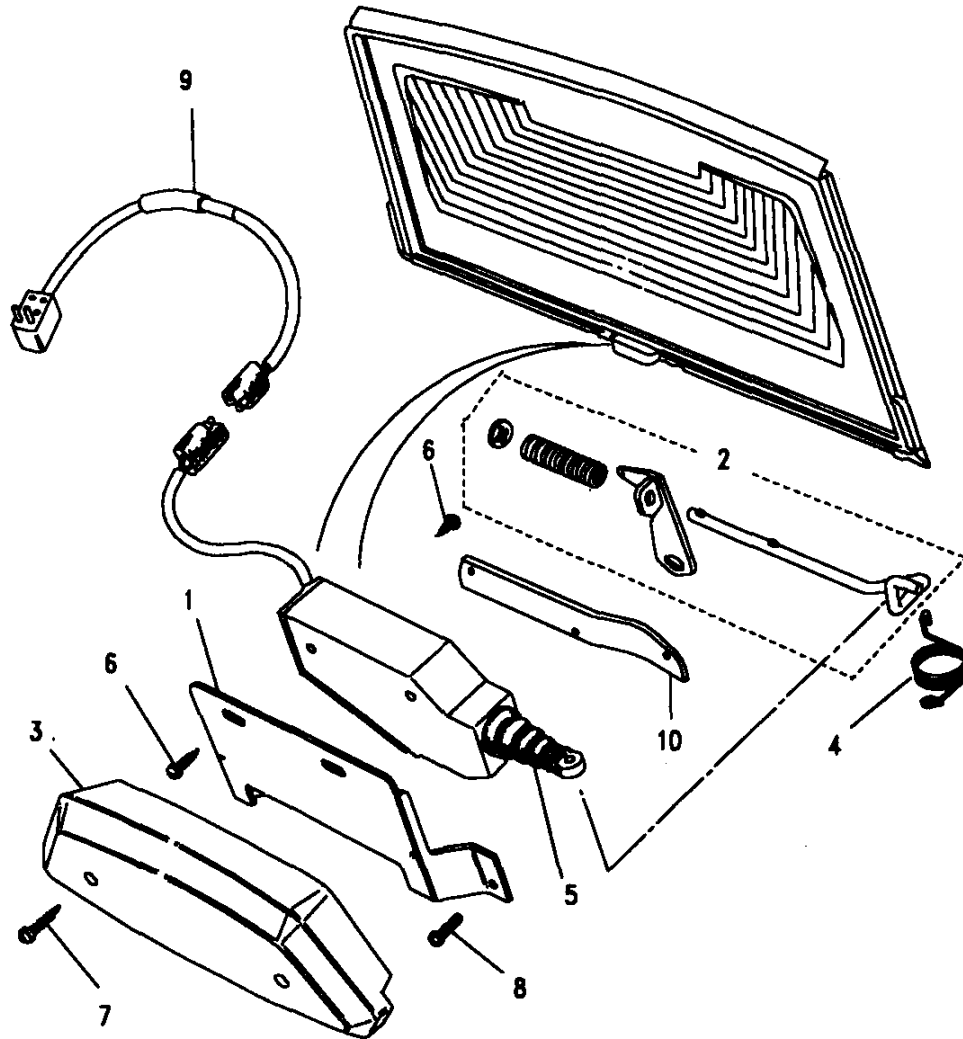


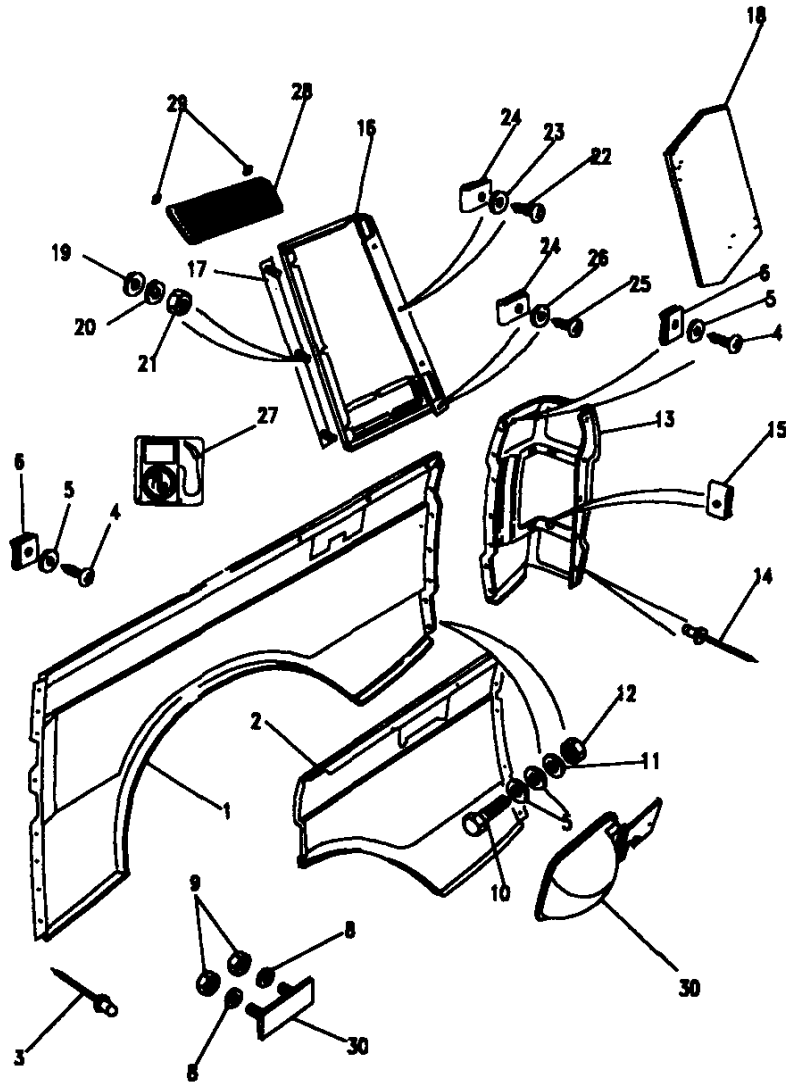
III. Part No.	Description	Qty	Remarks
30	MXC1389	1	Lock cover RH
	MUC6937	1	Lock cover LH
31	MWC8658	1	Handle assembly
	MWC8472	1	Operating probe
32	SE910441	2	Screw
33	AR606034	11	Screw
34	MXC7833	2	Gas spring
35	391482	1	Seal RH
	391483	1	Seal LH
36	MUC6429	2	Seal strip
37	MUC4135	2	Striker
38	391373	2	Shim
39	SF604087	2	Screw
40	MWC3347	1	Sealing block LH
	MWC3348	1	Sealing block RH
41	589818	1	Sleeve
42	589130	1	Bracket
43	AB608031L	2	Screw
44	MXC1379	1	Cover
45	MXC1378	2	Clip
46	BTR6740PUB	1	Handle protector

**Model** RANGE ROVER 1992 onwards  
**Page** BDNXIG1A

**BODY - UPPER TAILGATE CENTRAL LOCKING.**

III. Part No.	Description	Qty	Remarks
1	MWC8552	1	
2	MXC1391	1	
3	MWC8557	1	
4	MXC4892	1	
5	PRC3916	1	
5	AMR3382	1	Up to KA647644
6	DA608044L	4	From MA647645
7	AB608054L	2	
8	SC104141L	2	
9	PRC6939	1	
10	ALR1978	1	





**Model** RANGE ROVER 1992 onwards  
**Page** BDNXKA1A

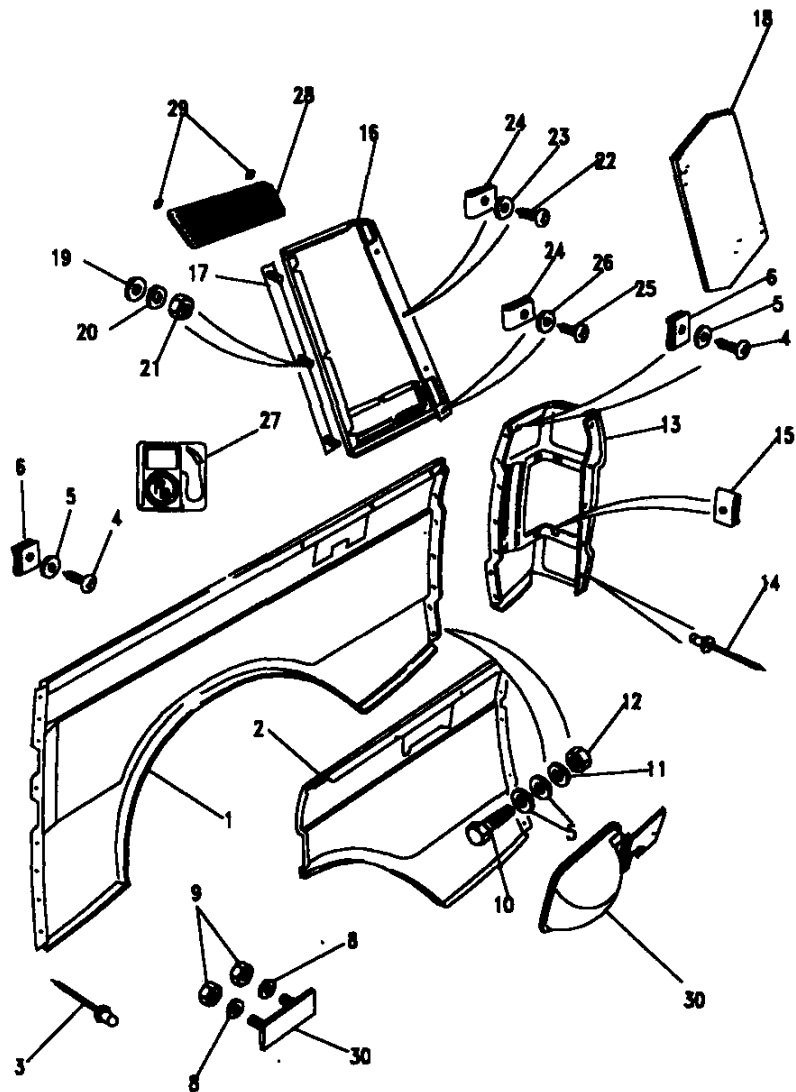
**BODY - OUTER PANELS BODYSIDE.**

Ill. Part No.	Description	Qty	Remarks
<b>2 Door</b>			
1	ALR1592 390372	1	Panel bodyside RH
		1	Panel bodyside LH
<b>4 Door</b>			
	STC1394	1	Panel bodyside RH
	STC1395	1	Panel bodyside LH
<b>All variants</b>			
3	RA608183	12	Rivet
4	AB612041L	A/R	Screw
5	3831L	A/R	Washer plain
6	AK612011I	8	Nut
7	MTC5501	2	Plate
8	WL106001L	4	Washer spring
9	NH106041L	4	Nut
10	255207	14	Screw
11	WM600041L	14	Washer spring
12	NH604041L	14	Nut
13	RTC6203	1	Panel corner RH
	RTC6204	1	Panel corner LH
14	78257	14	Rivet
15	79039	12	Nut



**Model** RANGE ROVER 1992 onwards  
**Page** BDNXKA1A

**BODY - OUTER PANELS BODYSIDE.**



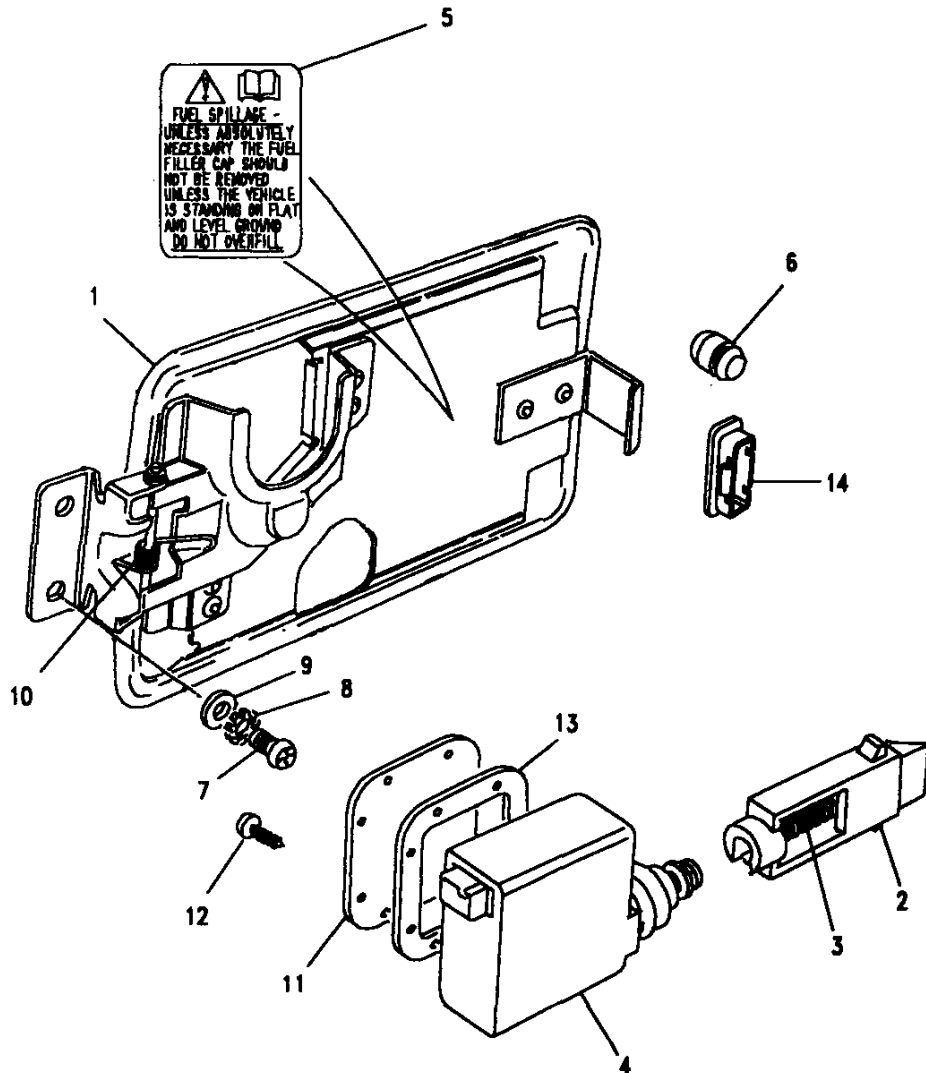
III. Part No.	Description	Qty	Remarks
16 AWR1368	Panel rear quarter RH	1	
AWR1369	Panel rear quarter LH	1	
17 390055	Plate	2	
18 MTC3151	Pad insulation	2	
19 3902L	Washer plain	6	
20 WM702001L	Washer spring	6	
21 257023	Nut	6	
22 AB610041L	Screw	6	
23 WC702101L	Washer plain	6	
24 78947	Nut	6	
25 AB606041L	Screw	2	
26 WC702101L	Washer plain	2	
27 NTC7503	Label unleaded fuel	1	
28 390515	Vent RH	1	)Gloss
390516	Vent LH	1	)
RTC6698	Vent RH	1	)
RTC6699	Vent LH	1	)Matt
29 PFS104L	Clip	6	
30 MXC9623	Cowl fuel filler	1	

**Model** RANGE ROVER 1992 onwards  
**Page** BDNXKA2A

**BODY - FUEL FILLER FLAP.**

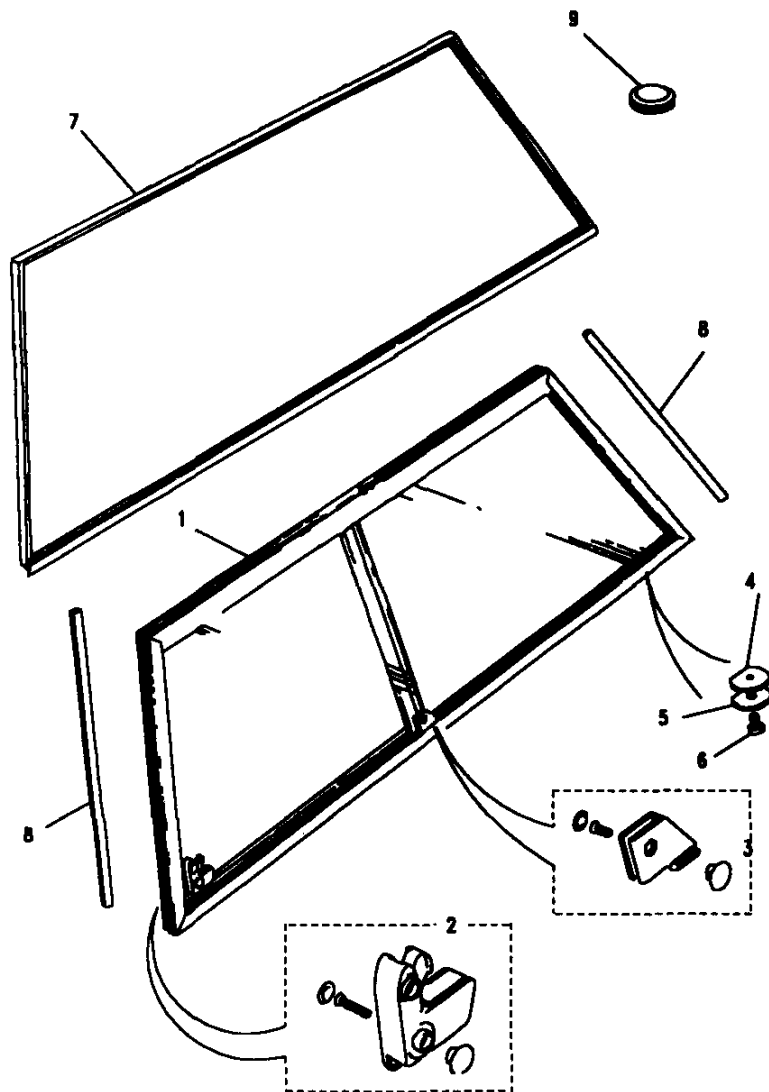
III. Part No.	Description	Qty	Remarks
1	MXC9640	1	Note(1)
	ALR1703	1	Note(2)
2	ALR1661	1	
3	MXC1670	1	
4	PRC7131	1	Note(1)
	PRC9681	1	Note(2)
5	ESR436	1	
6	MWC9919	2	
7	SE105101L	2	
8	WE702101L	2	
9	WJ105001L	2	
10	MXC8732	1	
11	ANR1859	1	
12	AB610041L	2	
13	MWC9932	1	Note(1)
	ALR3186	1	Note(2)
14	ALR3133	1	

Note(1) Up to JA624755  
 Note(2) From KA624756

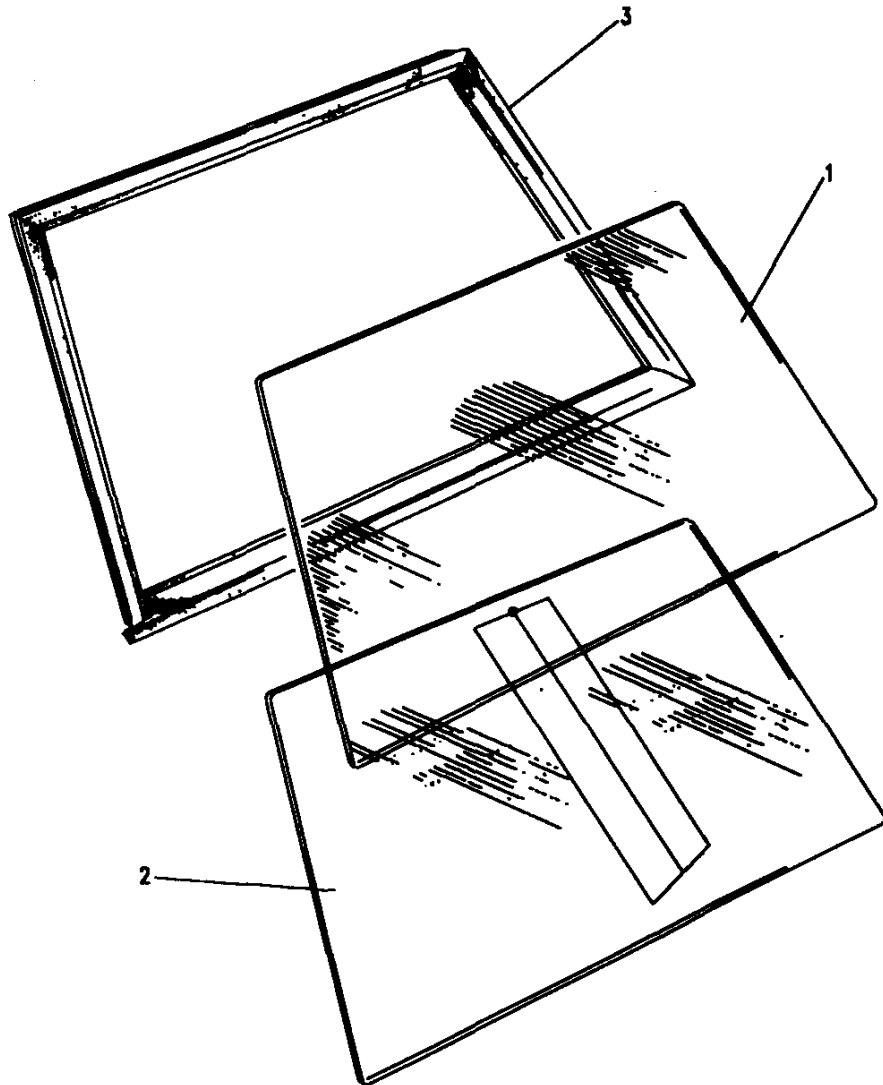


**Model** RANGE ROVER 1992 onwards  
**Page** BDNXLA1A

**BODY - SIDE WINDOW REAR - 2 DOOR.**



III. Part No.	Description	Qty	Remarks
1	MXC1494	1	Window assembly RH
	MXC1495	1	Window assembly LH
2	MTC1738	1	Catch assembly RH
	MTC1739	1	Catch assembly LH
3	MTC1742	1	Follower slide RH
	MTC1743	1	Follower slide LH
4	AFU1398	6	Washer
5	AFU1397	6	Washer
6	SH105121L	6	Screw
7	MTC3054	1	Seal RH
	MTC3055	1	Seal LH
8	MRC8167	2	Finisher
9	312856	2	Grommet



**Model** RANGE ROVER 1992 onwards  
**Page** BDNXLA2A

**BODY - BODYSIDE GLASS - 4 DOOR.**

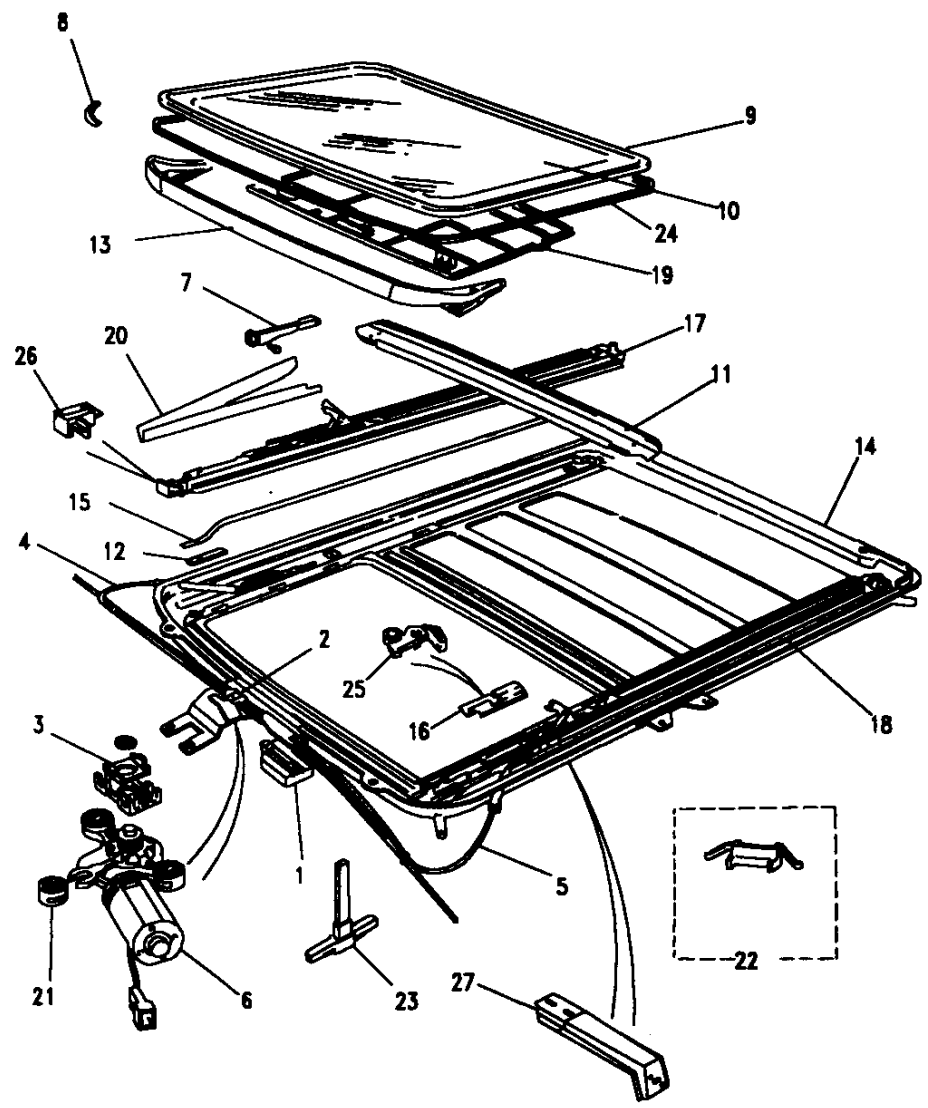
III. Part No.	Description	Qty	Remarks
1 MWC8442	Glass Bodyside RH	1	
MWC8443	Glass Bodyside LH	1	
<b>With Aerial</b>			
2 ALR2416	Glass Bodyside RH	1	
ALR2417	Glass Bodyside LH	1	
<b>All variants</b>			
3 MUC8414	Weather Strip RH	1	
MUC8415	Weather Strip LH	1	

**Model** RANGE ROVER 1992 onwards  
**Page** BDNXNA1A

**BODY PANELS - GLASS SUNROOF.**

III. Part No.	Description	Qty	Remarks
1	MXC9575 Sunroof control unit	1	
2	STC188 Bracket clamping	1	
3	STC187 Insert	1	
4	STC167 Drive cable RH	1	
5	STC168 Drive cable LH	1	
6	MXC9574 Motor & drive gear	1	
7	STC186 Curve on panel RH	1	
	STC185 Curve on panel LH	1	
8	STC170 Slide pad	2	
9	STC171 Seal	1	
10	MXC9573 Glass panel	1	
11	STC173 Drain channel	1	
12	STC174 Bracket wind deflector	2	
13	STC175 Wind deflector	1	
14	STC176 Seal section tray	1	
15	STC177 Seal inside tray	2	
16	STC178 Locator RH	1	
	STC179 Locator LH	1	
17	STC180 Guide RH	1	
18	STC181 Guide LH	1	
19	STC182 Panel sunshade	1	Note(1)
	STC1206 Panel sunshade	1	Note(2)

Note(1) Up to JA616249  
 Note(2) From JA616250

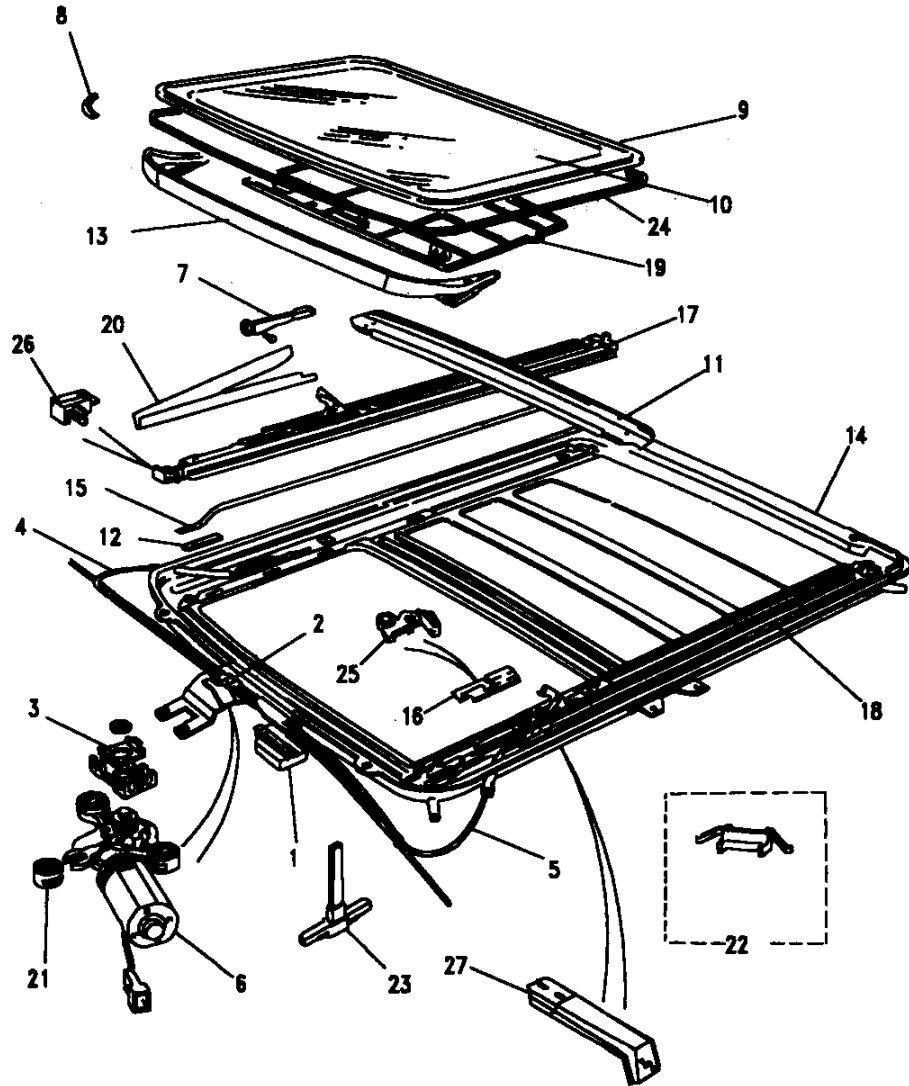


**Model** RANGE ROVER 1992 onwards  
**Page** BDNXNA1A

**BODY PANELS - GLASS SUNROOF.**

III. Part No.	Description	Qty	Remarks
20	MXC9570	1	Mechanism covers RH
	MXC9571	1	Mechanism covers LH
21	STC261	3	Spacer
22	STC266	4	Kit tensioner
23	MXC9502	1	Key sunroof rewind
24	BTR2697LUM	1	Finisher sunroof
25	STC451	1	Locator LH
	STC452	1	Locator RH
26	STC445	1	Lifter block RH
	STC446	1	Lifter block LH
27	MXC8889	3	Bracket mounting
	MXC8890	3	Bracket mounting

Note(1) COLOUR CODE. LUM - Mist grey.

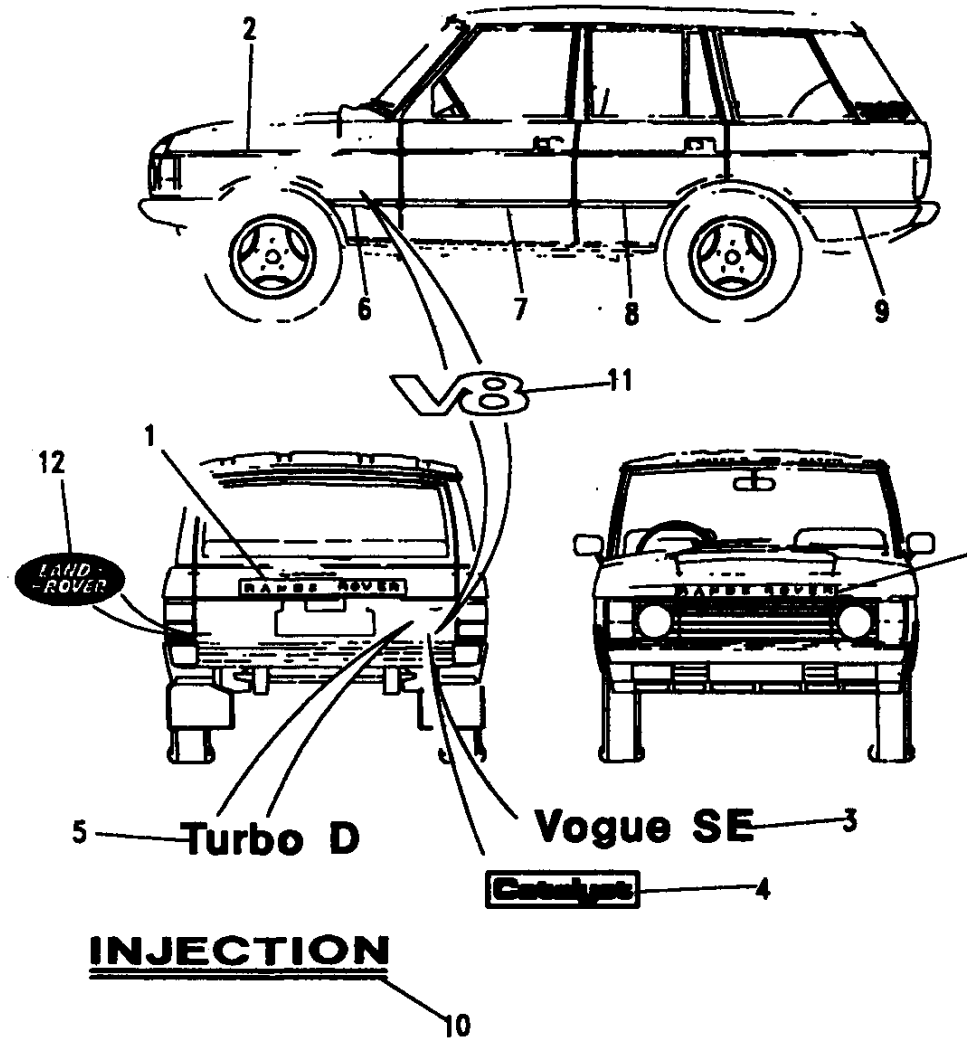


**Model** RANGE ROVER 1992 onwards  
**Page** BDNXQA1A

**BODY - BODY TAPES & RUBBING STRIPS UP TO JA624755**

Ill. Part No.	Description	Qty	Remarks
<b>Silver</b>			
1	RTC6465	1	Decal Bonnet/tailgate
2	MXC1172MCF	2	Decal Sidestripe
3	BTR3257MCF	1	Decal Vogue SE
4	MXC8938MCF	2	Decal Catalyst
5	BTR3256MCF	1	Decal Turbo D
<b>Nimbus grey</b>			
1	MUC2955LMP	1	Decal Bonnet
	MUC2956LMP	1	Decal Tailgate
2	MXC1172LMP	1	Decal Sidestripe
3	BTR3257LMP	1	Decal Vogue SE
4	MXC8938LMP	1	Decal Catalyst
5	BTR3258LMP	1	Decal Turbo D

Note(1) Supplied in 10m rolls

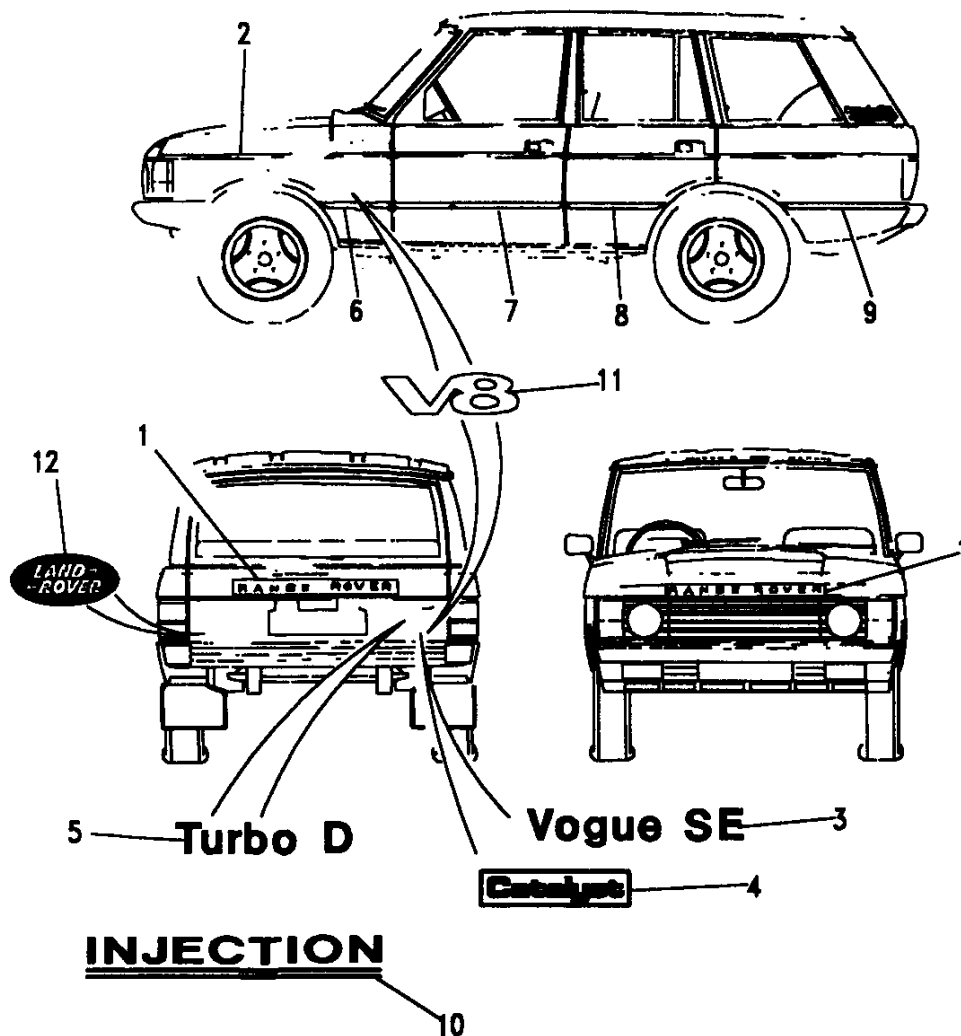


**Model** RANGE ROVER 1992 onwards  
**Page** BDNXQA1A

**BODY - BODY TAPES & RUBBING STRIPS UP TO JA624755**

III. Part No.	Description	Qty	Remarks
6	MWC8692	1	Strip front wing RH
	MWC8693	1	Strip front wing LH
7	MWC8688	2	Strip front door
8	MUC3488	1	Strip rear door RH
	MUC3489	1	Strip rear door LH
9	MUC3490	1	Strip rear wing RH
	MUC3491	1	Strip rear wing LH
10	RTC4930	1	Decal Injection
	RTC4931	1	Decal Injection
11	BRC8484	3	Badge "V8" Black )
12	BTR1047	1	Badge "Land Rover" Silver)Note(1)
<b>2 Door rubbing strips (Not illustrated)</b>			
	MUC3484	1	Strip front wing RH
	MUC3485	1	Strip front wing LH
	BTR1033	2	Strip door
	BTR1032	1	Strip body RH
	BTR1031	1	Strip body LH
	MUC3490	1	Strip rear quarter RH
	MUC3491	1	Strip rear quarter LH

Note(1) Germany only.

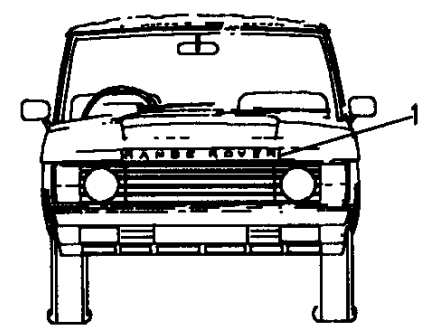
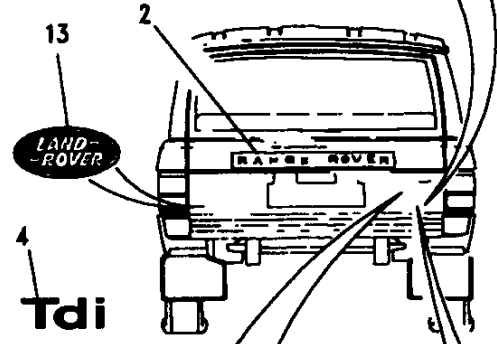
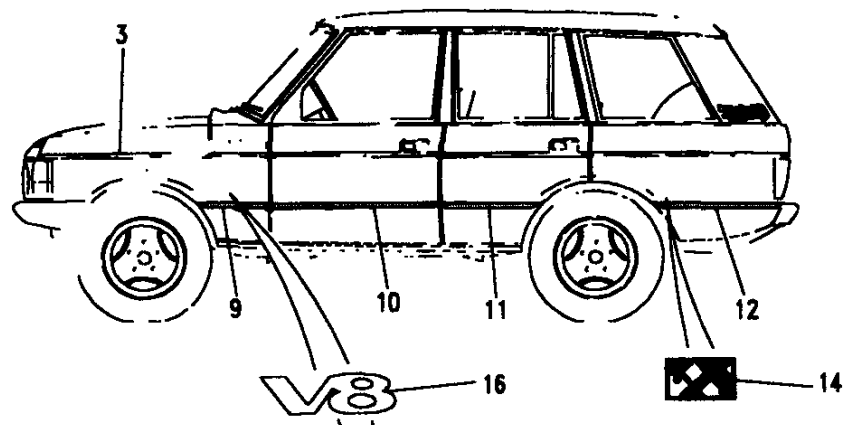






Model RANGE ROVER 1992 onwards  
Page BDNXQA2A

BODY - BODY TAPES & RUBBING STRIPS FROM KA624756



- 5 - Vogue SE
- 6 - Vogue SEi
- 7 - Vogue LSEi
- 8 - Vogue LSE

III. Part No.	Description	Qty	Remarks
<b>Dark Grey - Up to KA631126</b>			
1	BTR5653LVC Decal Bonnet	1	
2	BTR5652LVC Decal Tailgate	1	
3	MXC1172LVC Decal Sidestripe	2	Note(1)
4	BTR5654LVC Decal TDI	1	
5	BTR5655LVC Decal Vogue S.E	1	
6	BTR5657LVC Decal Vogue SEI	1	
7	BTR5658LVC Decal Vogue LSEI	1	Germany only
8	BTR5659LVC Decal Vogue LSE	1	
9	MXC8938LVC Decal Catalyst	1	
<b>Mid Silver - Up to KA631126</b>			
1	BTR5653MUK Decal Bonnet	1	
2	BTR5652MUK Decal Tailgate	1	
3	MXC1172MUK Decal Sidestripe	2	Note(1)
4	BTR5654MUK Decal TDI	1	
5	BTR5655MUK Decal Vogue S.E	1	
6	BTR5657MUK Decal Vogue SEI	1	
7	BTR5658MUK Decal Vogue LSEI	1	Germany only
8	BTR5659MUK Decal Vogue LSE	1	
9	MXC8938MUK Decal Catalyst	1	



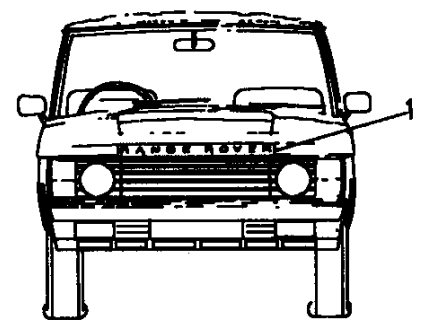
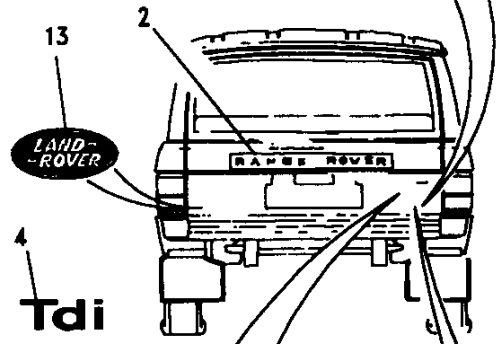
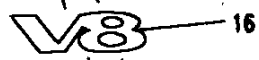
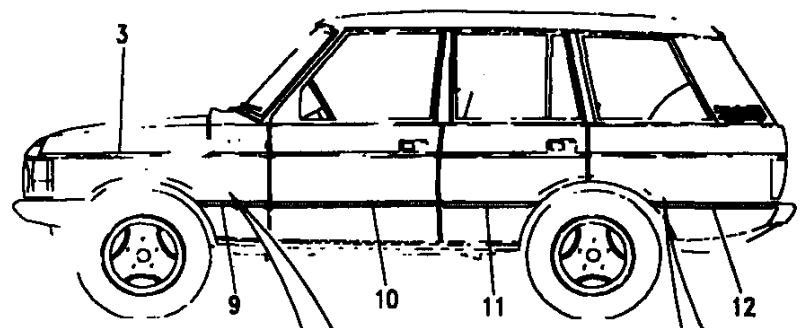


Model RANGE ROVER 1992 onwards  
Page BDNXQA2A

BODY - BODY TAPES & RUBBING STRIPS FROM KA624756

III. Part No.	Description	Qty	Remarks
<b>Black</b>			
1 BTR7033PME	Decal bonnet	1	
2 BTR7032PME	Decal tailgate	1	
3 MXC1172PME	Tape Sidestripe	1	Black Note(1)
MXC1172MMG	Tape Sidestripe	1	Silver Note(1)
4 BTR7034PME	Decal TDI	1	
5 BTR7035PME	Decal vogue SE	1	
6 BTR7037PME	Decal vogue SEi	1	
7 BTR7038PME	Decal vogue LSEi	1	Germany only
8 BTR7039PME	Decal vogue LSE	1	

Note(1) Supplied in 10m rolls



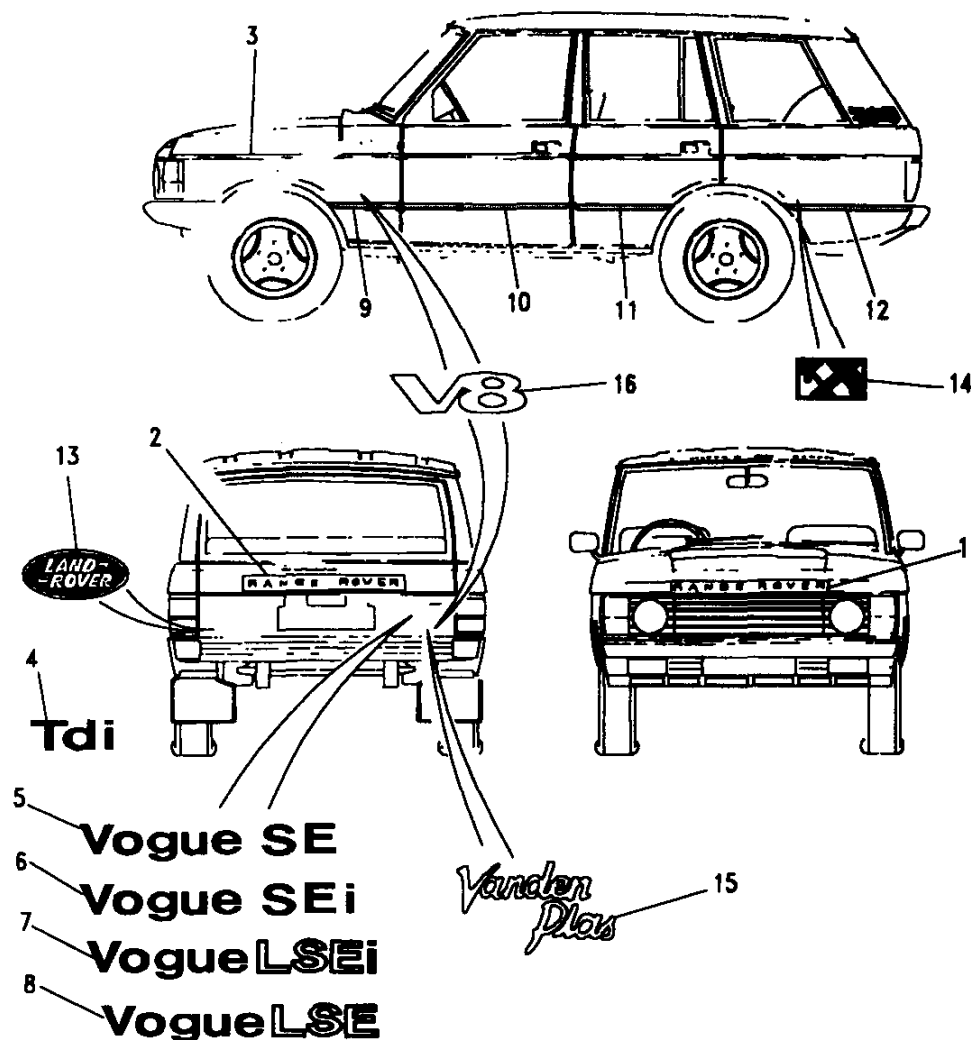
- 5 **Vogue SE**
- 6 **Vogue SEi**
- 7 **Vogue LSEi**
- 8 **Vogue LSE**

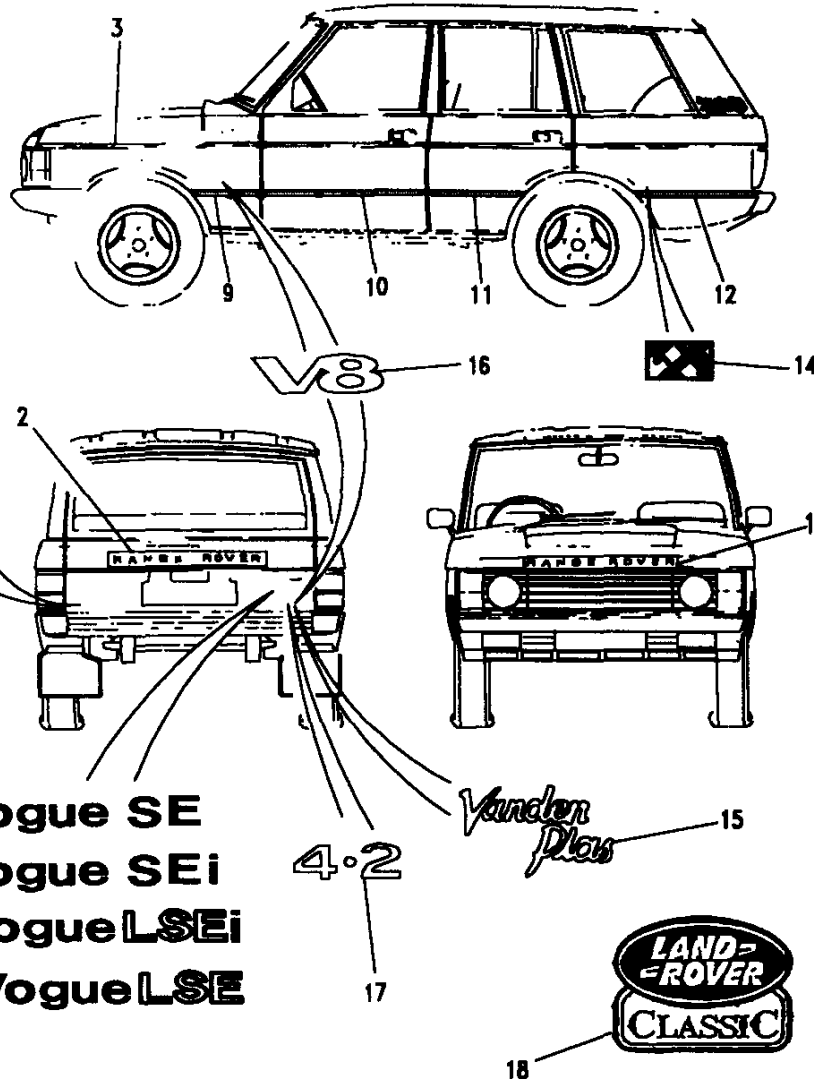


**Model** RANGE ROVER 1992 onwards  
**Page** BDNXQA2A

**BODY - BODY TAPES & RUBBING STRIPS FROM KA624756**

Ill. Part No.	Description	Qty	Remarks
<b>Black - From KA631127 up to KA640177</b>			
9	MWC8692	1	Strip front wing RH
	MWC8693	1	Strip front wing LH
10	MWC8688	2	Strip front door
11	MUC3488	1	Strip rear door RH
	MUC3489	1	Strip rear door LH
<b>108" L.W.B. ONLY.</b>			
	BTR2003	1	Strip rear door RH
	BTR2004	1	Strip rear door LH
<b>All variants</b>			
12	MUC3490	1	Strip rear wing RH
	MUC3491	1	Strip rear wing LH
13	BTR1047	1	Badge "Land Rover"
14	AMR3159	2	Reflector From KA640178
<b>Japan only</b>			
15	JRC6792RHT	1	Decal Vanden plas
16	BRC6484	3	Badge "V8"
<b>2 Door rubbing strips (Not illustrated)</b>			
	MUC3484	1	Strip front wing RH
	MUC3485	1	Strip front wing LH
	BTR1033	2	Strip door
	BTR1032	1	Strip body RH
	BTR1031	1	Strip body LH
	MUC3490	1	Strip rear quarter RH
	MUC3491	1	Strip rear quarter LH

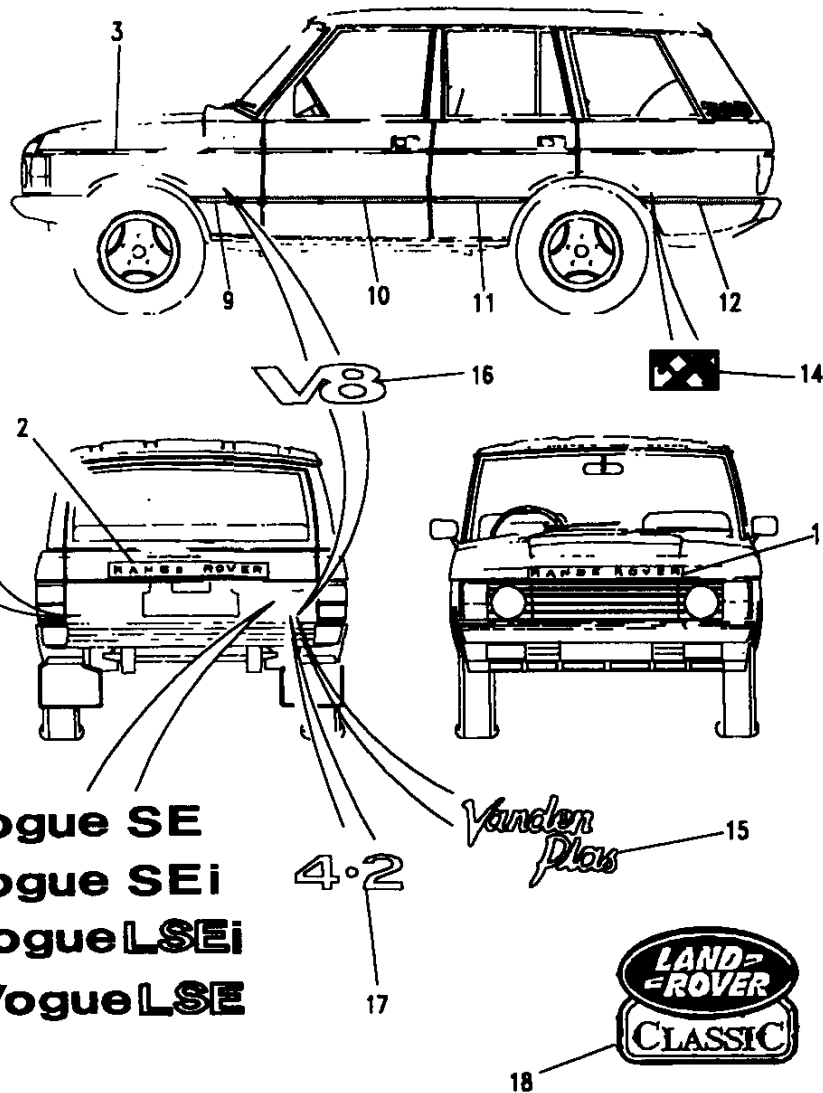




Model RANGE ROVER 1992 onwards  
 Page BDNXQA3A

**BODY TAPES - DECALS & RUBBING STRIPS - FROM KA640178**

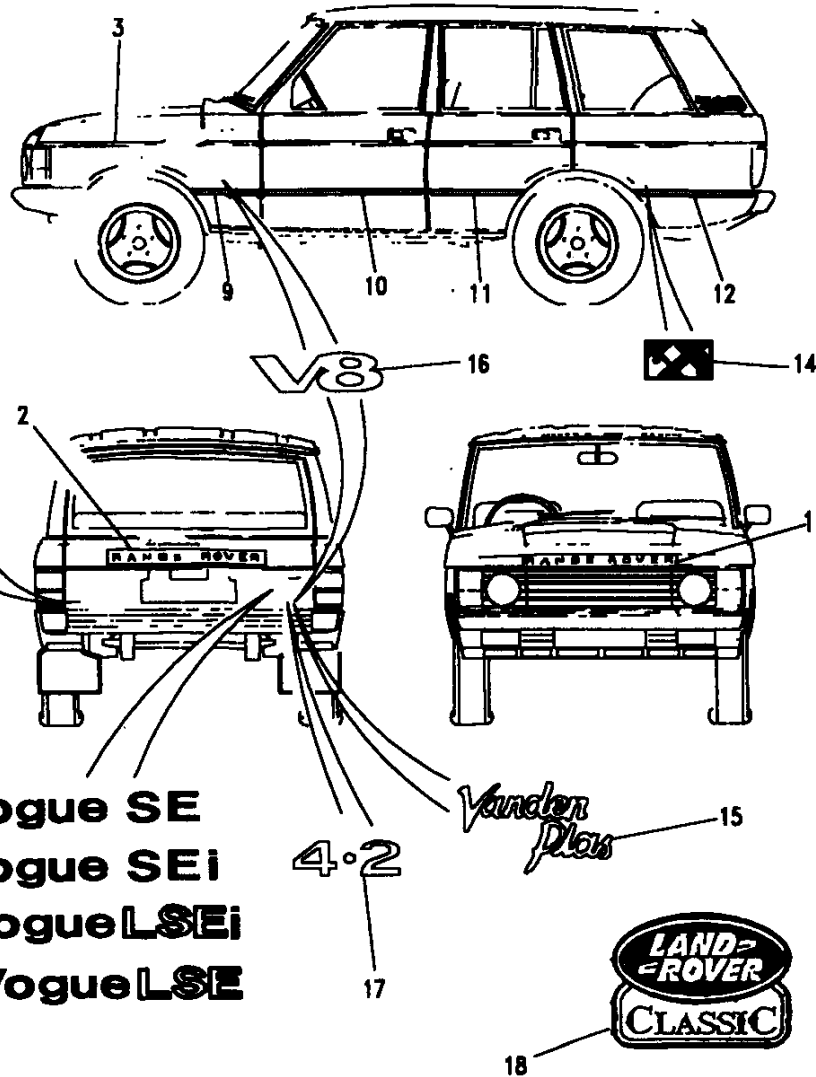
III. Part No.	Description	Qty	Remarks
<b>Silver</b>			
1	BTR7033MUL	1	Decal bonnet
2	BTR7032MUL	1	Decal tailgate
3	MXC1172MMG	1	Tape Sidestripe
4	BTR7034MUL	1	Decal TDI
5	BTR7035MUL	1	Decal vogue SE
6	BTR7037MUL	1	Decal vogue SEi
7	BTR7038MUL	1	Decal Vogue LSEi
8	BTR7039MUL	1	Decal Vogue LSE
<b>Sorrel Brown - From LA646294</b>			
1	BTR8571SUA	1	Decal bonnet
2	BTR8570SUA	1	Decal tailgate
5	BTR7035SUA	1	Decal Vogue SE



**Model** RANGE ROVER 1992 onwards  
**Page** BDNXQA3A

**BODY TAPES - DECALS & RUBBING STRIPS - FROM KA640178**

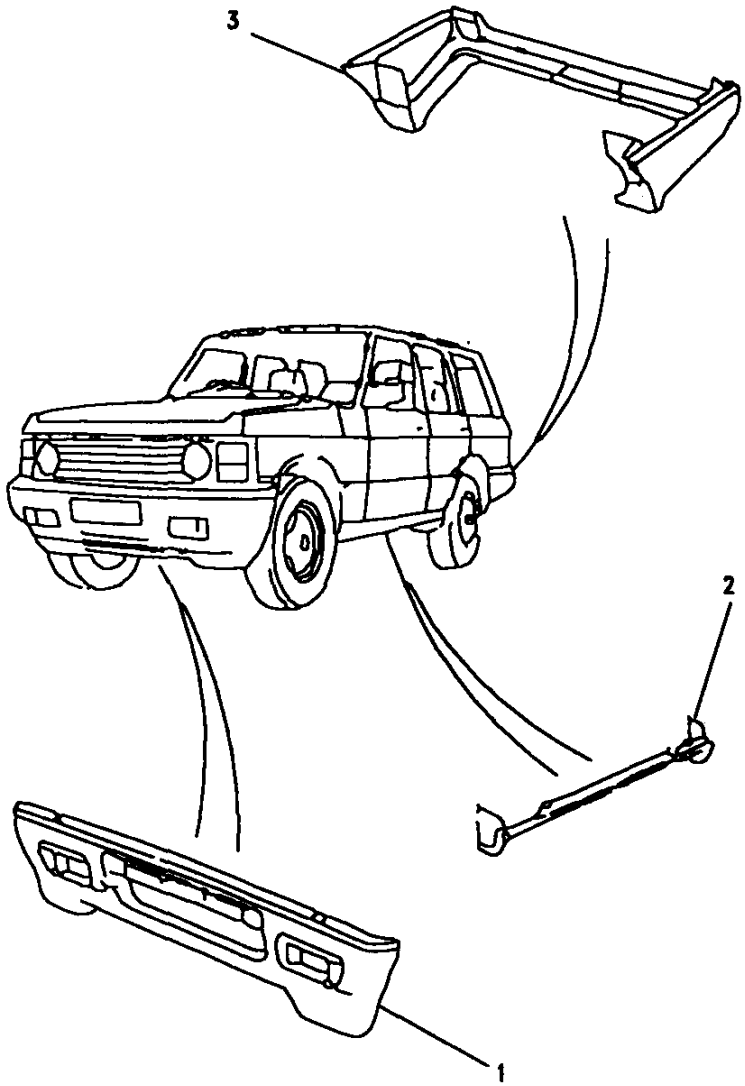
III. Part No.	Description	Qty	Remarks
9 MWC8692	Strip front wing RH	1	
MWC8693	Strip front wing LH	1	
10 MWC8688	Strip front door	2	
11 MUC3488	Strip rear door RH	1	
MUC3489	Strip rear door LH	1	
<b>108" L.W.B. ONLY.</b>			
BTR2003	Strip rear door RH	1	
BTR2004	Strip rear door LH	1	
<b>All variants</b>			
12 MUC3490	Strip rear wing RH	1	
MUC3491	Strip rear wing LH	1	
<b>When body styling kit fitted</b>			
9 BTR9374	Strip front wing RH	1	
BTR9375	Strip front wing LH	1	
10 BTR9378	Strip front door	2	
11 BTR9370	Strip rear door RH	1	
BTR9371	Strip rear door LH	1	
<b>108" L.W.B. ONLY.</b>			
BTR9376	Strip rear door RH	1	
BTR9377	Strip rear door LH	1	
<b>All variants</b>			
12 BTR9372	Strip rear wing RH	1	
BTR9373	Strip rear wing LH	1	



**Model** RANGE ROVER 1992 onwards  
**Page** BDNXQA3A

**BODY TAPES - DECALS & RUBBING STRIPS - FROM KA6401**

III. Part No.	Description	Qty	Remarks
13 BTR1047	Badge "Land Rover"	1	
14 AMR3159	Reflector	2	
<b>Japan only</b>			
15 JRC6792RHT	Decal Vanden plas	1	
16 BRC6484	Badge "V8"	3	
17 BTR9692PME	Decal "4.2"	1	Gulf only
18 AWR2617	Badge "Classic"	1	From MA656388
<b>2 Door rubbing strips (Not Illustrated)</b>			
MUC3484	Strip front wing RH	1	
MUC3485	Strip front wing LH	1	
BTR1033	Strip door	2	
BTR1032	Strip body RH	1	
BTR1031	Strip body LH	1	
MUC3490	Strip rear quarter RH	1	
MUC3491	Strip rear quarter LH	1	



**Model** RANGE ROVER 1992 onwards  
**Page** BDNXQA5A

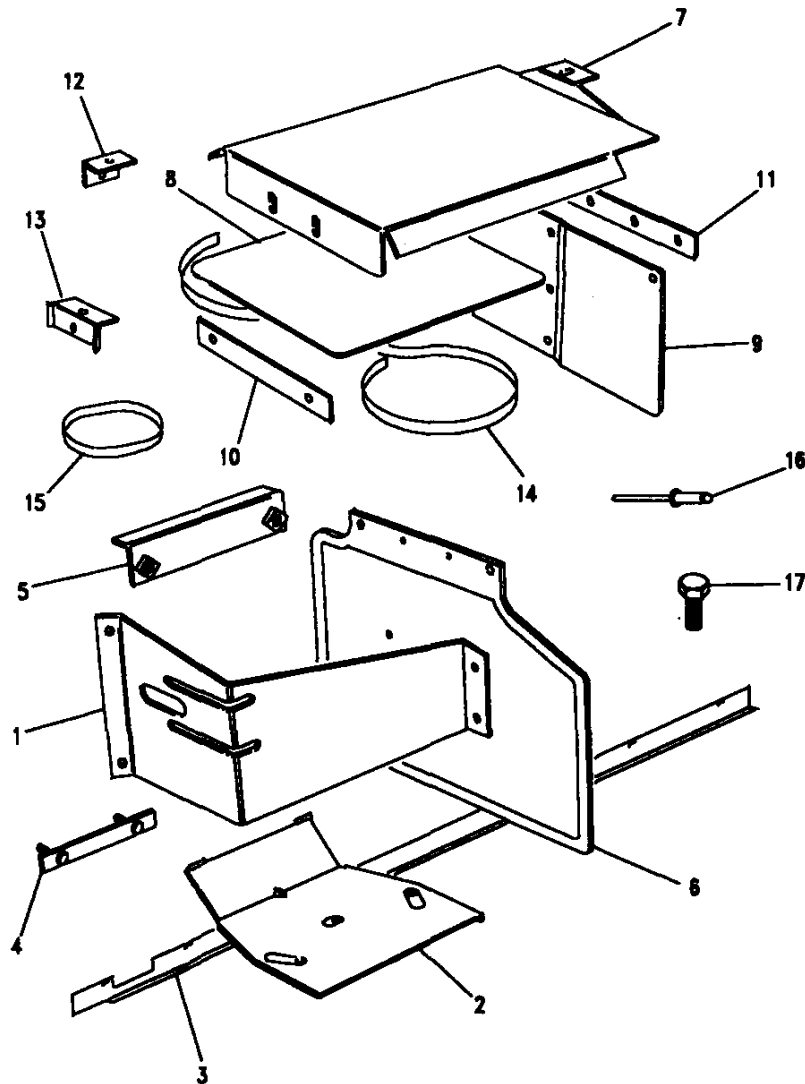
**BODY - BODY STYLING KITS.**

III. Part No.	Description	Qty	Remarks
<b>All variants</b>			
1	STC8416P	1	Up to KA647644
	STC8473P	1	From MA647645
	BTR9243	2	
<b>Non LSE only</b>			
2	STC8418P	1	
	STC8419P	1	
<b>LSE only</b>			
2	STC8404P	1	
	STC8405P	1	
<b>All variants</b>			
3	STC8417P	1	
	BTR9242	2	

**Model** RANGE ROVER 1992 onwards  
**Page** BDNXQA4A

**BODY - BODY STYLING KITS.**

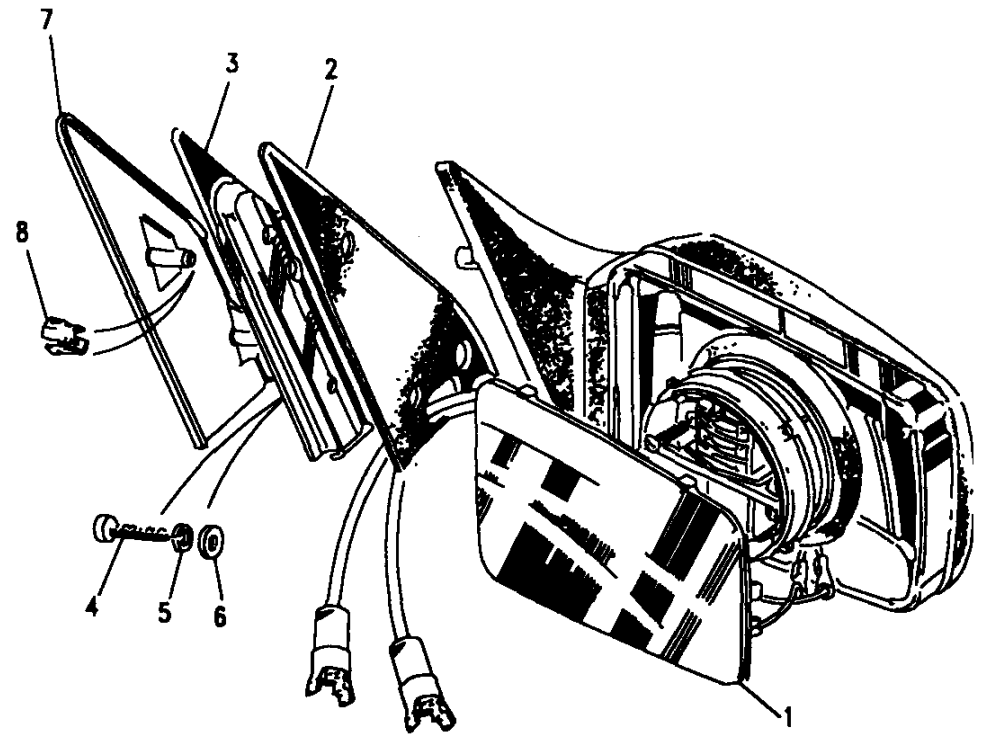
III. Part No.	Description	Qty	Remarks
1	BTR5188	1	Bracket f/lamp supt RH
	BTR5187	1	Bracket f/lamp supt LH
2	BTR7712	2	Std plate sill mtg
3	BTR7764	1	Bracket sill support RH
	BTR7763	1	Bracket sill support LH
4	BTR7713	2	Stud plate
5	STC8167	1	Tow bracket
6	BTR5950	2	Mudflap
7	BTR6370	1	Heatshield exhaust
8	BTR7709	1	Heatshield exhaust
9	BTR6369	1	Plate service aperture
10	BTR5189	2	Bracket m/flap mtg
11	BTR4966	2	Bracket M/flap mtg
12	BTR7730	2	Bracket rear apron
13	BTR7729	2	Bracket rear apron
14	BTR7710	1	Tape - anti fret
15	BTR7711	1	Tape - dualock
16	RY612533	4	Rivet
17	SH106205	2	Screw





**Model** RANGE ROVER 1992 onwards  
**Page** BDNXRC1A

**BODY - EXTERIOR MIRRORS.**



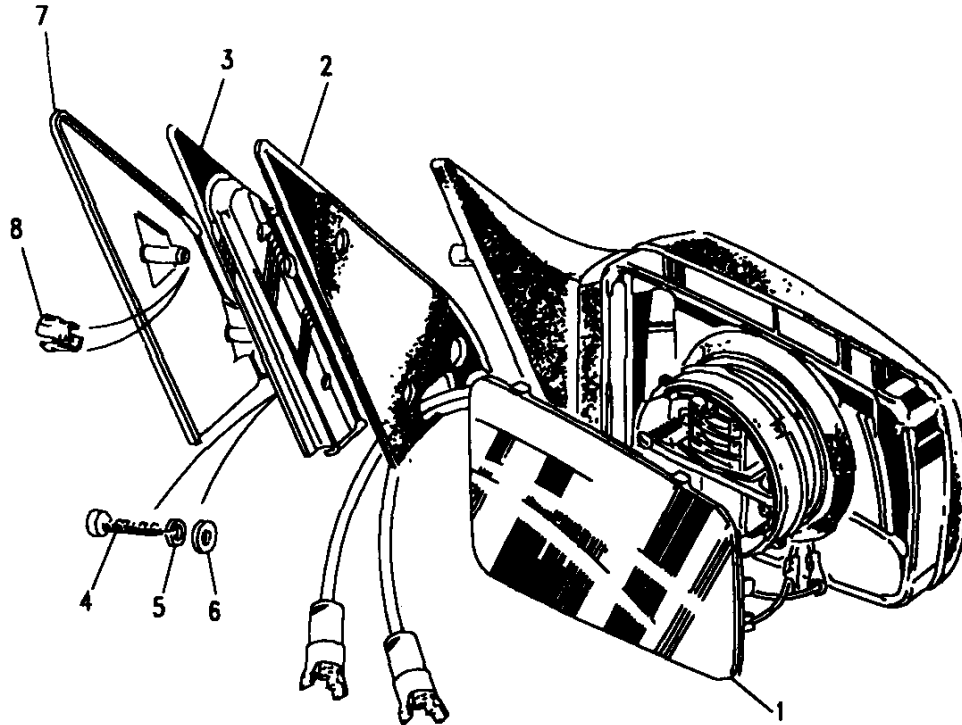
III. Part No.	Description	Qty	Remarks
<b>Flat - non memory</b>			
BTR383	Mirror door electric RH	1	)
BTR384	Mirror door electric LH	1	)Note(1)
BTR4820	Mirror door electric RH	1	)
BTR4821	Mirror door electric LH	1	)Note(2)
1 MUC1606	Glass RH	1	
MUC1607	Glass LH	1	
<b>Flat - Memory</b>			
BTR134	Mirror door electric RH	1	)
BTR135	Mirror door electric LH	1	)Note(1)
BTR4817	Mirror door electric RH	1	)
BTR4818	Mirror door electric LH	1	)Note(2)
1 MUC1606	Glass RH	1	
MUC1607	Glass LH	1	
<b>Convex - non memory</b>			
BTR385	Mirror door electric RH	1	)
BTR386	Mirror door electric LH	1	)Note(1)
BTR4822	Mirror door electric RH	1	)
BTR4823	Mirror door electric LH	1	)Note(2)
1 MTC6538	Glass RH	1	
MUC1609	Glass LH	1	

Note(1) Up to JA624755  
 Note(2) From KA624756

**Model** RANGE ROVER 1992 onwards

**Page** BDNXRC1A

**BODY - EXTERIOR MIRRORS.**

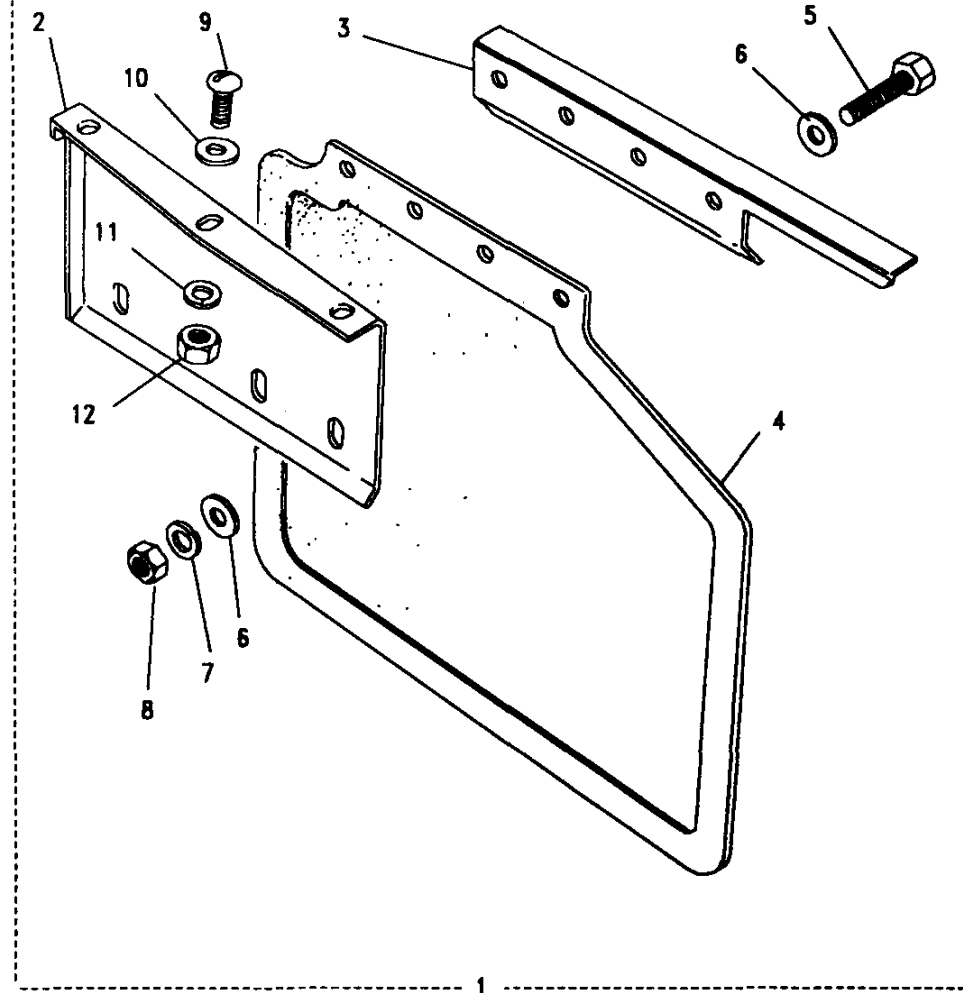


III. Part No.	Description	Qty	Remarks
<b>Convex - memory</b>			
BTR132	Mirror door electric RH	1	)Note(2)
BTR133	Mirror door electric LH	1	
BTR4815	Mirror door electric RH	1	)Note(3)
BTR4816	Mirror door electric LH	1	
1 MTC6538	Glass RH	1	
MUC1609	Glass LH	1	
<b>All variants</b>			
2 MUC1792	Gasket	2	
3 MXC8714	Plate RH	1	
MXC8715	Plate LH	1	
4 AB610061L	Screw	6	
5 WL105001L	Washer spring	6	
6 WA105001L	Washer plain	6	
7 MXC5292RUN	Finisher LH	1	
MXC5291RUN	Finisher RH	1	
8 AFU3009	Tube Nut	4	

- Note(1) It is not possible to change the motor in the mirror assy. Use mirror assy.  
 Note(2) Up to JA824755  
 Note(3) From KA824756  
 Note(4) COLOUR CODE. RUN - Bokhara.

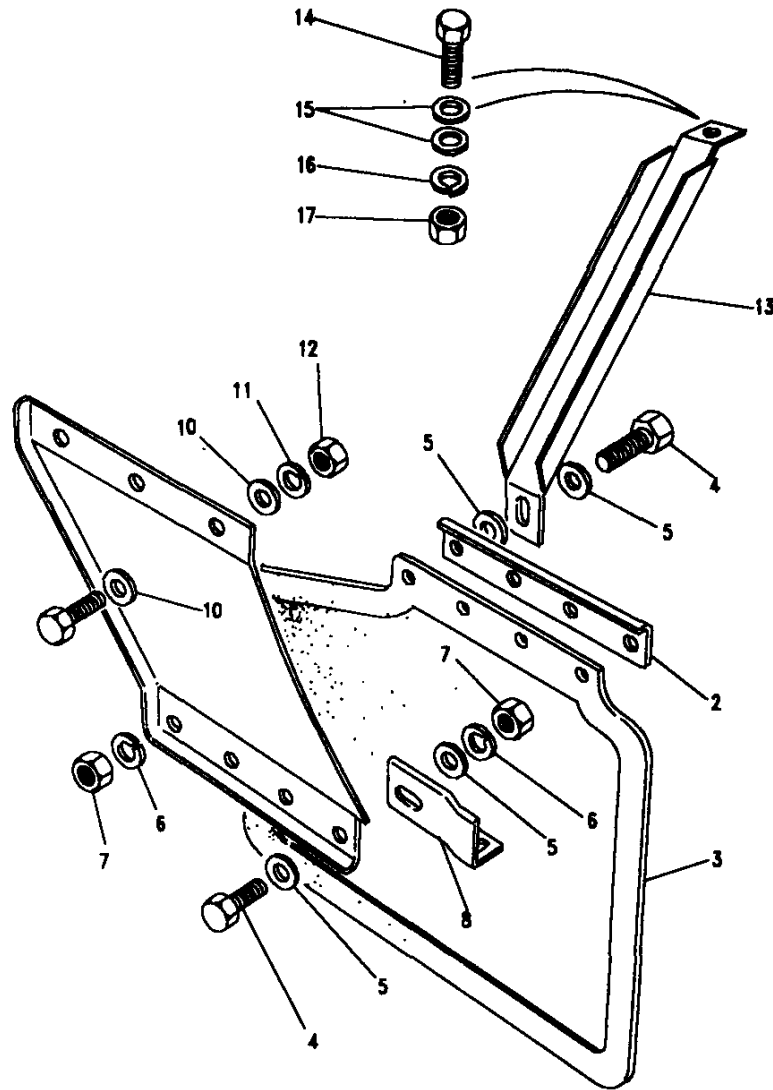
**Model** RANGE ROVER 1992 onwards  
**Page** BDNXSA1A

**BODY - MUDFLAPS FRONT.**



III. Part No.	Description	Qty	Remarks
1	RTC9562	1	
2	392678	1	
	392679	1	
3	MXC6743	2	
4		2	NSS
		2	NSS
5	SH604071L	8	
6	3831L	4	
7	NH106041L	8	
8	SE106161L	6	
9	WA106041L	6	
10	WL106001L	6	

Note(1) NSS - NOT SERVICED SEPERATLY.



**Model** RANGE ROVER 1992 onwards  
**Page** BDNXSA2A

**BODY - MUDFLAPS REAR.**

Ill. Part No.	Description	Qty	Remarks
1	BTR432	1	Plate retaining RH
	BTR433	1	Plate retaining LH
2	390998	2	Angle
3	MUC3719	2	Mudflap rear
4	255208	8	Bolt
5	3831L	16	Washer plain
6	WM600041L	8	Washer spring
7	NH604041L	8	Nut
8	MXC5546	1	Angle RH
	MXC5545	1	Angle LH
9	255208	8	Bolt
10	3831L	16	Washer plain
11	WM600041L	8	Washer spring
12	NH604041L	8	Nut
13	MXC5547	1	Stay LH
	MXC5548	1	Stay RH
	BTR6172	1	Bracket fixing
14	255208	2	Bolt
15	3831L	4	Washer plain
16	WM600041L	2	Washer spring
17	NH604041L	2	Nut

Note(1) Up to JA624755  
 Note(2) From KA624756

**MASTER INDEX**

	PAGES
INTRODUCTION PAGES	1 - 3
ALPHABETICAL INDEX	4 - 9
ENGINE	10 - 50
ENGINE	51 - 88
ENGINE	89 - 133
ENGINE	134 - 172
GEARBOX	173 - 194
GEARBOX	195 - 211
GEARBOX	212 - 238
TRANSFER BOX	239 - 252
AXLES AND SUSPENSION	253 - 313
STEERING	314 - 332
VEHICLE AND ENGINE CONTROLS	333 - 343
BRAKES	344 - 374
FUEL SYSTEM AND AIR CLEANER	375 - 401
EXHAUST SYSTEM	402 - 409
COOLING/HEATING	410 - 456
BODY ELECTRICAL	457 - 574
BODY AND CHASSIS	575 - 681
INTERIOR TRIM	682 - 772
SEATS	773 - 843
SEATS	844 - 862
STOWAGE	863 - 865
ACCESSORIES - PAINTS	866 - 893
NUMERICAL INDEX	895 - 958

**GROUP P**
**INTERIOR TRIM**

	684 - 685
<b>INTERIOR TRIM</b>	
FACIA TOP & FIXINGS - Up To MA647645.	686
COWL INSTRUMENT BINNACLE - Up To MA647645.	687
FACIA MA647645 On.	688 - 689
FACIA MA647645 On.	690 - 691
LOWER FACIA - Up To MA647645.	692
LOWER FACIA- Up To MA647645.	693 - 695
RADIO HOUSING & CONTROLS - Up To MA647645.	696
RADIO HOUSING & CONTROLS- Up To MA647645.	697
FACIA CENTRE CONSOLE MA647645 on	698
AUTO SELECT MOUNTING - Up To MA647645.	699
AUTO/MANUAL SELECT MA647645 On.	700
CONSOLE - Up To MA647645.	701
CONSOLE- Up To MA647645.	702
CUBBY BOX - Up To MA647645	703
CUBBY BOX - Up To MA647645.	704
CUBBY BOX - MA647645 On.	705 - 706
PARCEL TRAY UP TO JA624755.	707 - 710
PARCEL TRAY FROM KA624756	711
PARCEL SHELF.	712
WOOD TRIM - BURR WALNUT- Up To MA647645.	713
BURR WALNUT - 108" LWB Up To MA647645.	714
WOOD TRIM - AMERICAN WALNUT.	715
WOOD TRIM - AMERICAN WALNUT	716
WOOD TRIM - ITALIAN POPLAR - LSE - Up To MA647645.	717
WOOD TRIM - BURR WALNUT - 108" MA647645 on.	718
WOOD TRIM - FIGURED WALNUT MA647645 on.	719
FRONT DOOR TRIM - 2 DOOR.	720 - 722
FRONT DOOR TRIM - 4 DOOR Up To MA647644.	723
FRONT DOOR TRIM - 4 DOOR Up To MA647645.	724
FRONT DOOR TRIM - 4 DOORUp To MA647645.	725
FRONT DOOR TRIM - 4 DOOR.	726 - 727
FRONT DOOR TRIM - 4 DOORUp To MA647645.	728 - 729
FRONT DOOR TRIM - 4 DOOR Up To MA647645.	730
FRONT DOOR TRIM - 4 DOOR up to MA647645	731 - 732
FRONT DOOR TRIM - 4 DOOR MA647645 On	733 - 734
POST FINISHERS 4 DOOR MA647645 On	735 - 739
REAR DOOR TRIM Up To MA647645.	740
REAR DOOR TRIMUp To MA647645.	

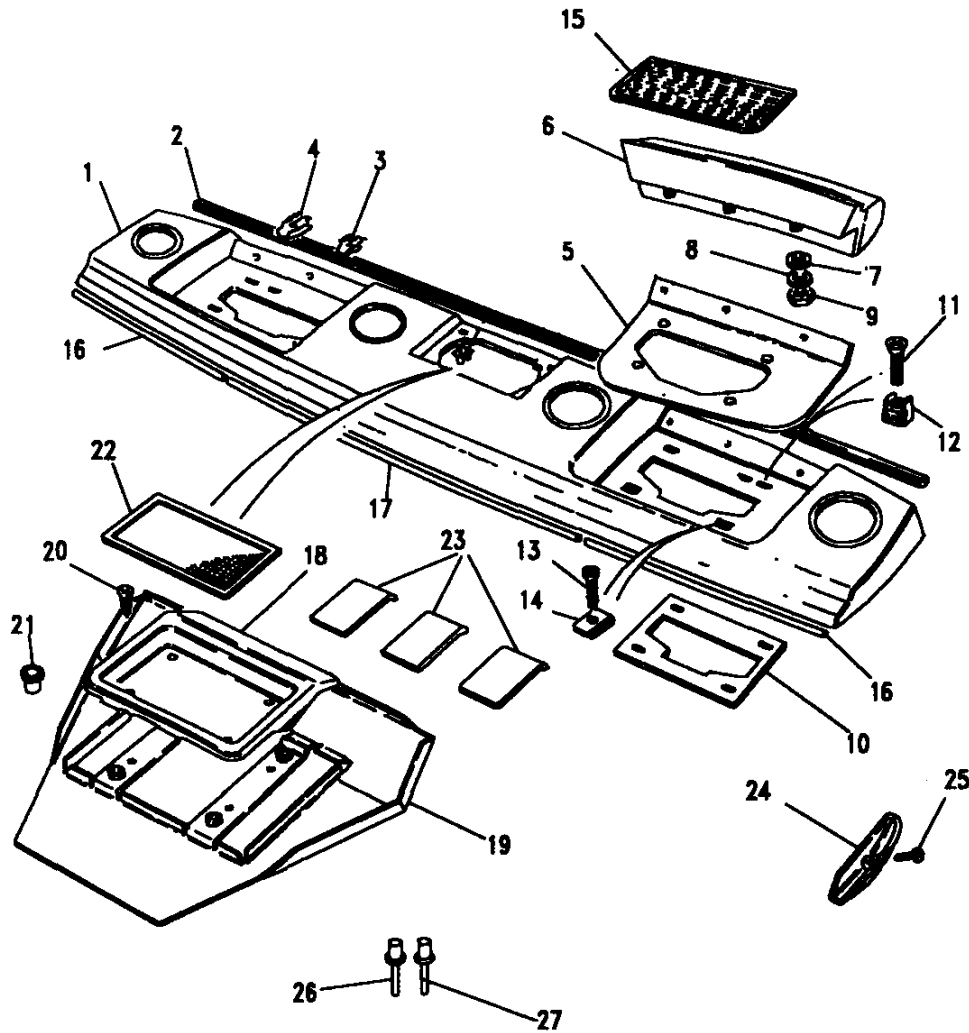
REAR DOOR TRIM Up To MA647645.	741
REAR DOOR TRIM up to MA647645	742
REAR DOOR TRIM - MA647645 on	743 - 746
BODYSIDE - 2 DOOR.	747
FOOTREST & TOEBOX TRIM Up To LA647644	748 - 749
FOOTREST & TOEBOX TRIM MA647645 On	750
HEADLINING NON SUN ROOF.	751 - 752
HEADLINING - SUN ROOF.	753 - 754
SUN VISORS.	755
SOUND DEADENING PADS Up To LA647644	756
FACIA DECKER PANEL & DASH Up To LA647644	757
TUNNEL,FRONT & REAR FLOOR Up To LA647644	758
INSULATION MA647645 On.	759
FRONT,CENTRE & LOADSPACE Up To LA647644	760
FRONT,CENTRE & LOADSPACE Up To LA647644	761
FRONT,CENTRE & LOADSPACE Up To LA647644	762
FRONT,CENTRE & LOADSPACE Up To LA647644	763 - 765
WHEELARCH & SPARE WHEEL Up To LA647644	766 - 767
FROM MA647645	768 - 769
SILL FINISHERS & TREAD PLATES.	770 - 772

**Model** RANGE ROVER 1992 onwards  
**Page** BDPXAA1A

**TRIM - FACIA TOP & FIXINGS - Up To MA647645.**

III. Part No.	Description	Qty	Remarks
1	BTR429RUN	1	
2	MUC1207	1	LHS
3	MUC1208	1	RHS
4	RTC3724	2	
5	MWC7672	1	
	MWC7671	1	
6	MWC2367RUN	1	LHS
	MWC2366RUN	1	RHS
	MXC1700RUN	1	LHS
	MXC1699RUN	1	RHS
7	3852L	3	
8	WL115001L	3	
9	NH105041L	3	
10	MWC8583	3	
11	AC810081L	2	
12	AL810011L	2	

Note(1) COLOUR CODE. RUN - Bokhara.

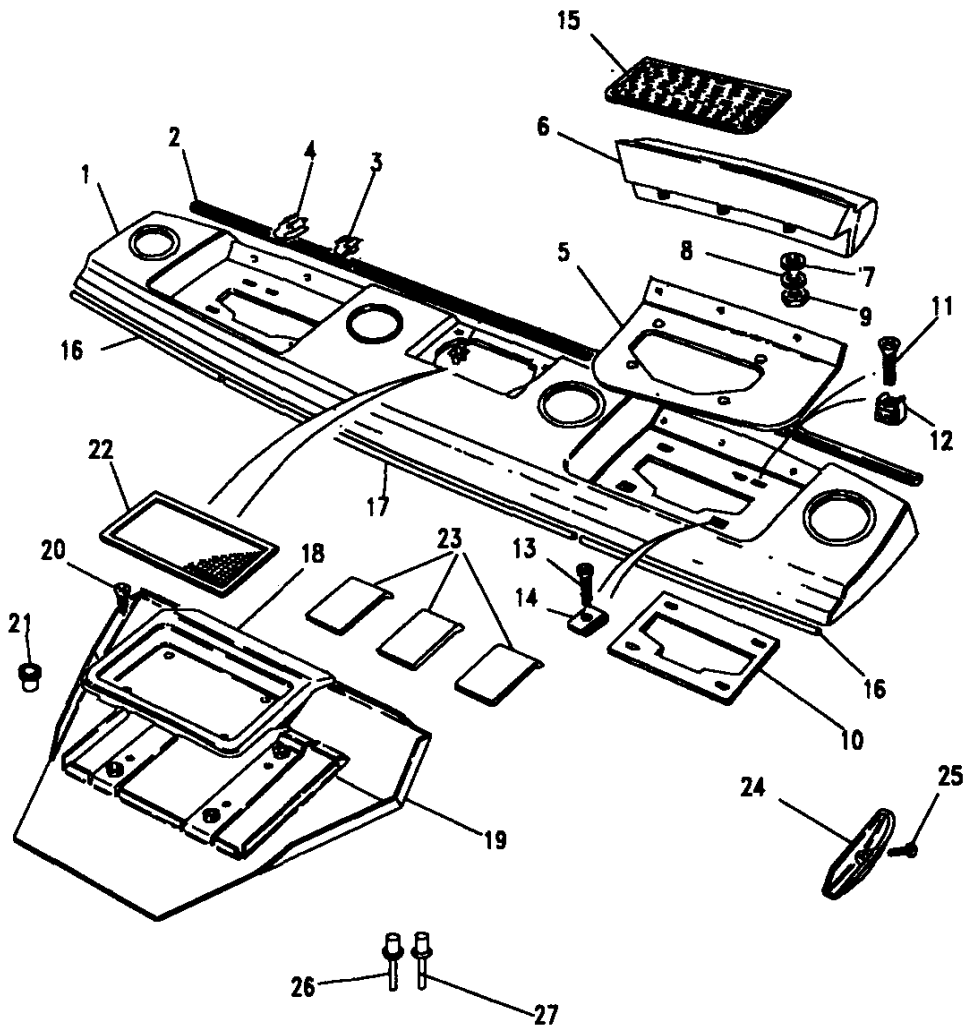


**Model** RANGE ROVER 1992 onwards  
**Page** BDPXAA1A

**TRIM - FACIA TOP & FIXINGS - Up To MA647645.**

III. Part No.	Description	Qty	Remarks
13	SF105251L Screw	2	
14	NK105061 Nut	2	
15	390574RUN Mat anti skid LH	1	
	390573RUN Mat anti skid RH	1	
16	393001 Reinforcement	2	Note(1)
	BTR5395 Reinforcement	2	Note(2)
17	392162 Reinforcement	1	
18	MTC5520RUN Tray trinket	1	
	BTR3126RUN Tray trinket	1	With hole for alarm
19	MWC1267 Bracket mounting	1	
20	AC806041L Screw	4	
21	RTC3745 Nut	4	
22	MTC6019RUN Mat trinket tray	1	
23	391332 Panel	3	
24	MUC9559RUN Finisher LH	1	
	MUC9558RUN Finisher RH	1	
25	AB608107 Screw	2	
26	RN608223 Rivet pop	3	
27	RN608343 Rivet countersunk	6	

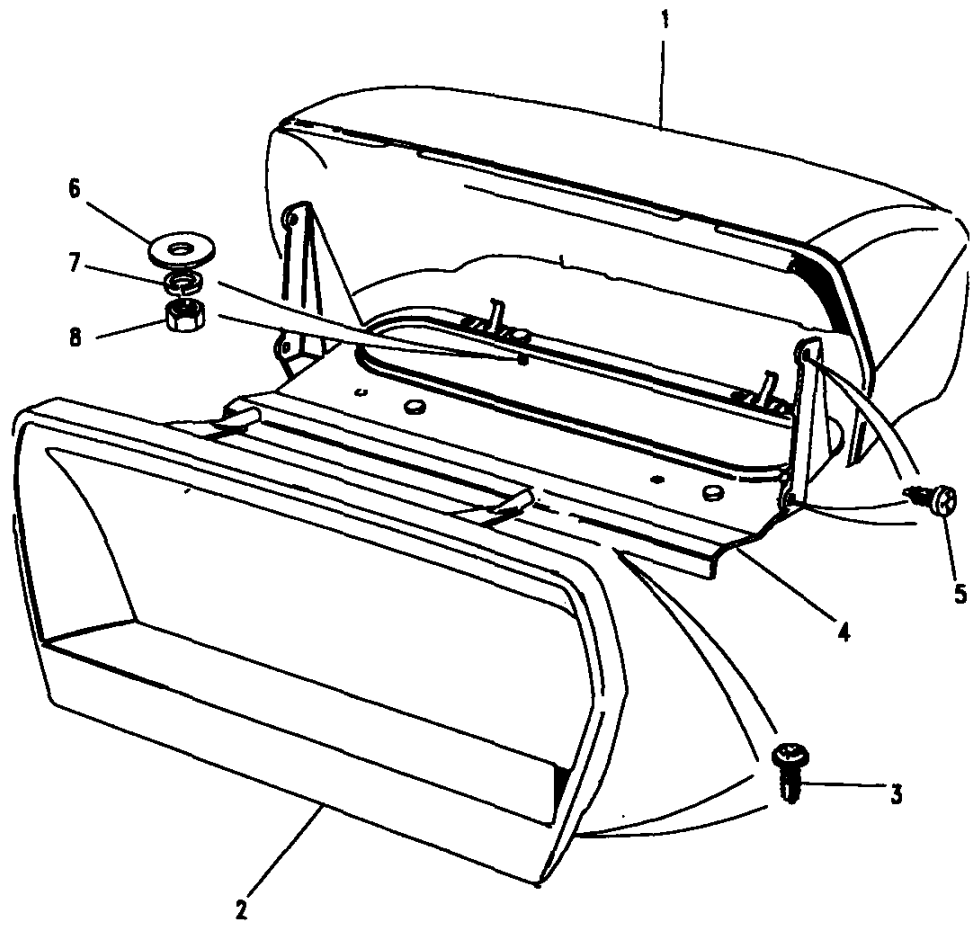
Note(1) Up to JA624755  
 Note(2) From KA624756  
 Note(3) COLOUR CODE. RUN - Bokhara.





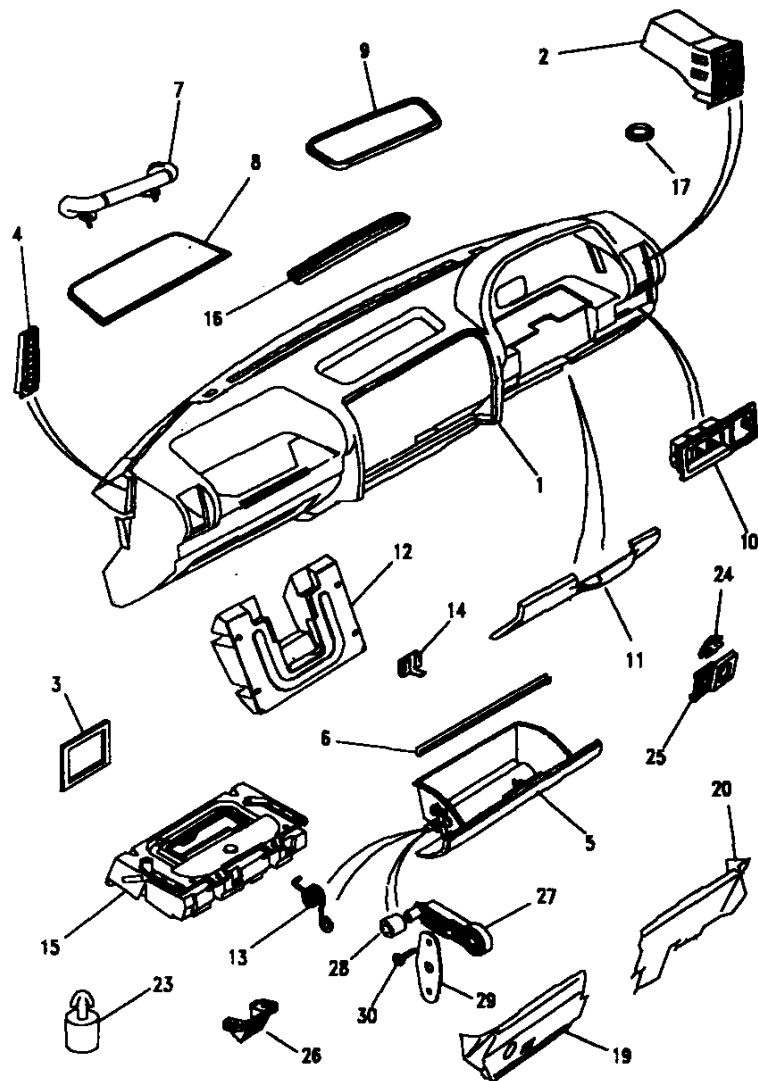
**Model** RANGE ROVER 1992 onwards  
**Page** BDPXAA2A

**BODY ELECTRICS - COWL INSTRUMENT BINNACLE - Up To MA647645.**



Ill. Part No.	Description	Qty	Remarks
1	MWC6420RUN Cowl instrument binnacle	1	
2	BTR1458RUN Bezel	1	
3	AFU2945 Screw	4	
4	MWC5728 Bracket mounting RH	1	)Note(1)
	MWC5729 Bracket mounting LH	1	
	BTR408 Bracket mounting RH	1	)Note(2)
	BTR409 Bracket mounting LH	1	
5	AB608031L Screw	4	
6	WJ105001L Washer plain	2	
7	WL105001L Washer spring	2	
8	NH105041L Nut	2	

Note(1) Up to KA624780  
 Note(2) From KA624781

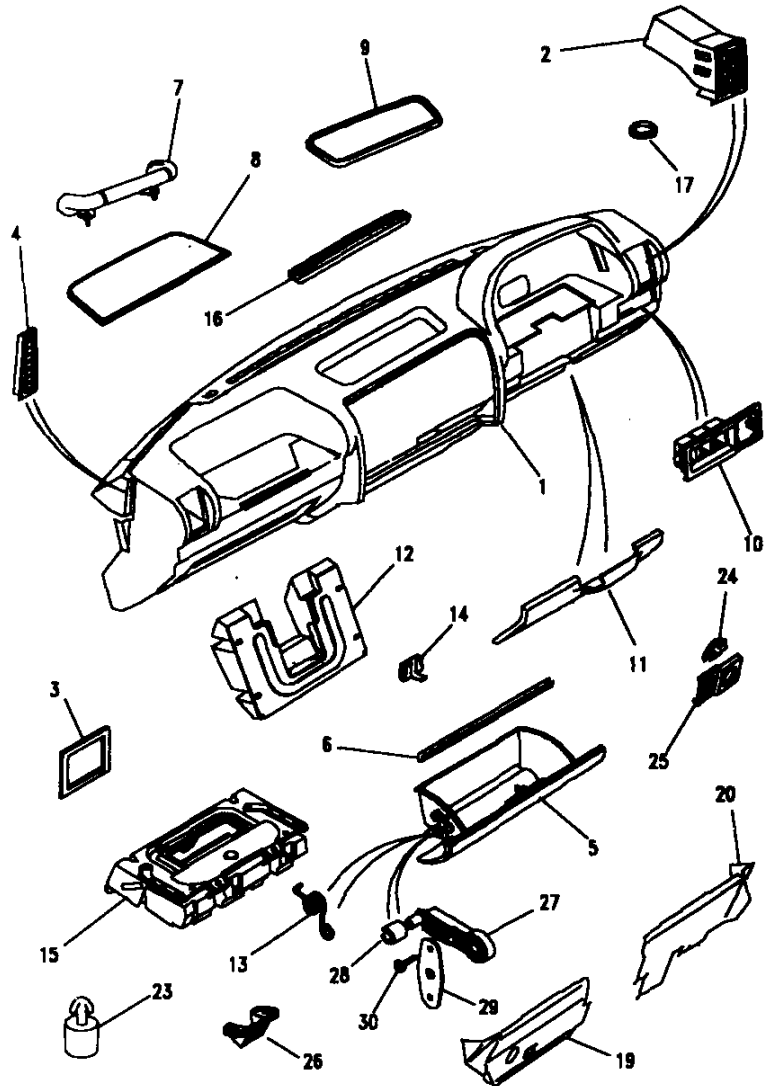


**Model** RANGE ROVER 1992 onwards  
**Page** BDPXAA3A

**TRIM - FACIA MA647645 On.**

III. Part No.	Description	Qty	Remarks
<b>TRIM - FACIA.</b>			
<b>RHS</b>			
1	STC1289LNF	1	Facia assembly rhd wood A/bag
	STC1295LNF	1	Facia assembly rhd wood
<b>LHS</b>			
	STC1300LNF	1	Facia assembly lhd wood A/bag
	STC1298LNF	1	Facia assembly lhd A/bag
	STC1296LNF	1	Facia assembly lhd wood
	STC1294LNF	1	Facia assembly lhd
2	AWR1187LNF	2	Vent facia
3	BTR7174	2	Seal outer facia vent
4	BTR3312LNF	1	Bezel demist RH
	BTR3313LNF	1	Bezel demist LH
5	BTR3353LNF	1	Glove box
6	BTR3730LNF	1	Finisher glove box
7	AWR1167LNF	1	Grab handle
8	BTR4307PMA	1	Mat facia pocket
9	BTR9334PMA	1	Mat facia
10	AWR1439	1	Moulding switch panel RHD
11	BTR3724LNF	1	Panel access fusebox RHD
	BTR3724LOY	1	Panel access fusebox RHD
	BTR3724SUA	1	Panel access fusebox RHD
	BTR3725LNF	1	Panel access fusebox LHD
	BTR3725LOY	1	Panel access fusebox LHD
	BTR3725SUA	1	Panel access fusebox LHD
12	BTR7281	1	Foam facia driver

Note(1) For fusebox label see electrical main harness MA647645 on.



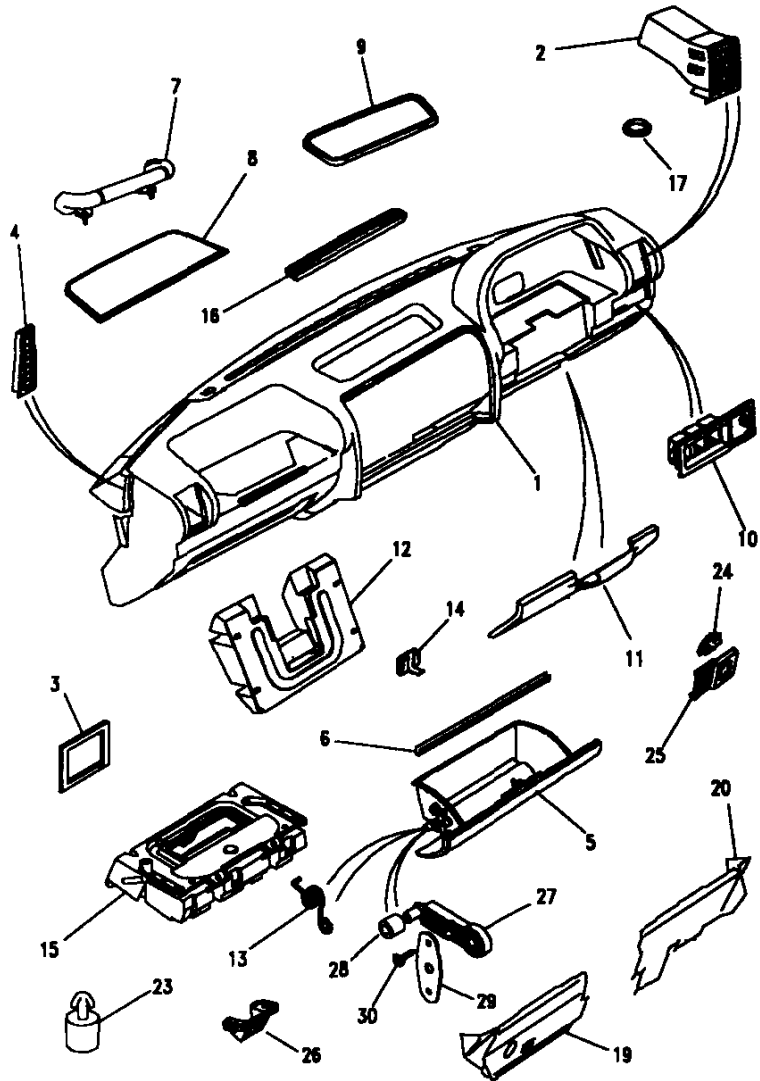
**Model** RANGE ROVER 1992 onwards  
**Page** BDPXAA3A

**TRIM - FACIA MA647645 On**

III. Part No.	Description	Qty	Remarks
13	BTR9908	1	Spring glovebox RH
	BTR9909	1	Spring glovebox LH
14	BTR9515	8	Clip
15	BTR8399	1	Knee bolster passengers
16	BTR9333LNF	1	Bezel demist
17	BTR7175	2	Plug blanking
18	AWR1166LNF	1	Cover front

**Closing panel and fastener**

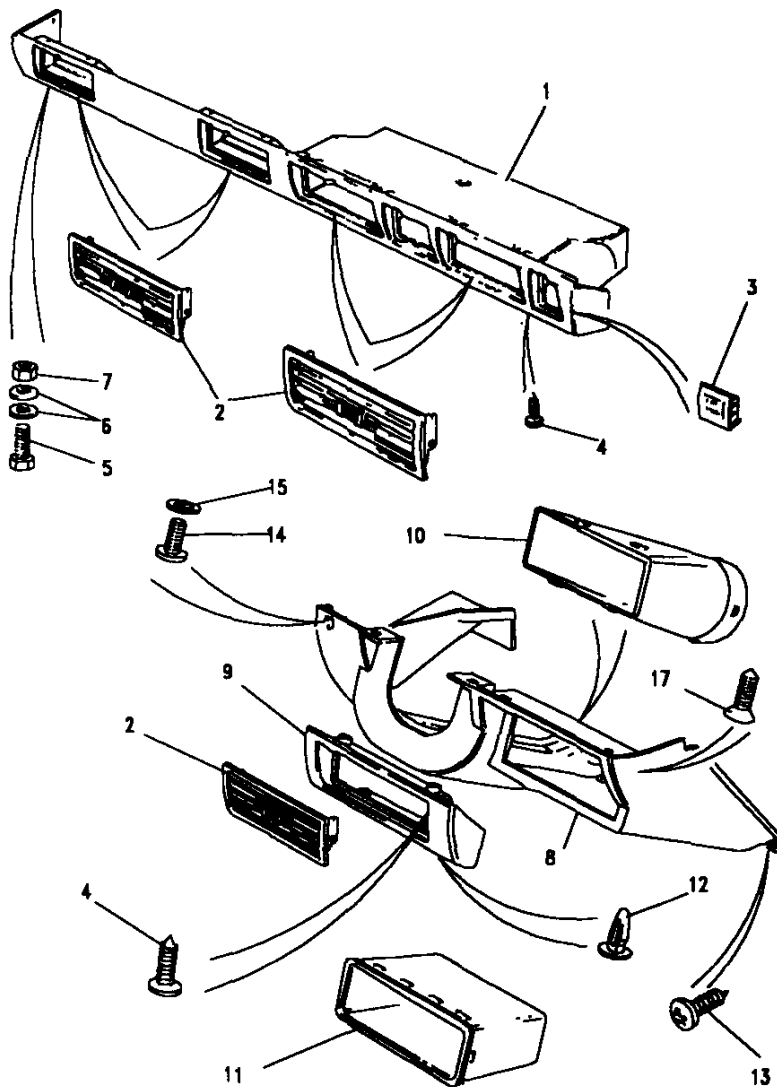
19	BTR9888	1	Panel closing RHD PASS
	BTR9890	1	Panel closing LHD PASS
20	BTR9889	1	Panel closing RHD DVRS
	BTR9891	1	Panel closing LHD DRVS
21	BTR9437	3	Retainer panel closing



**Model** RANGE ROVER 1992 onwards  
**Page** BDPXAA3A

**TRIM - FACIA MA647645 On**

Ill. Part No.	Description	Qty	Remarks
<b>Retainers fusebox lid</b>			
23	FBR10001LOY	2	Turnbuckle f/box lid
	FBR10001SUA	2	Turnbuckle f/box lid
24	AFU4131	2	Cam turnbuckle f/box
25	BTR4284	2	Bracket turnbuckle f/box
26	BTR3731	1	Striker glovebox
<b>Glovebox stay components</b>			
27	FFV10002	1	Arm stay
28	FXB10002	1	Roller stay
29	FFU10004	2	Plate retaining
30	FYP10003	4	Screw

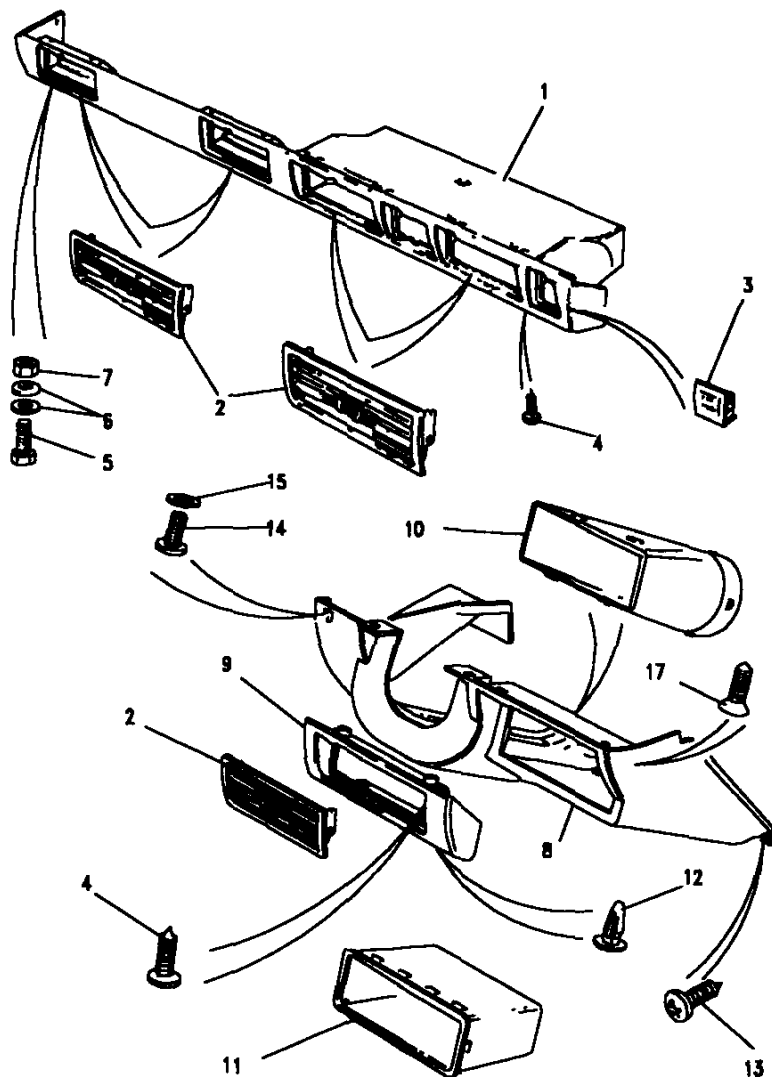


**Model** RANGE ROVER 1992 onwards  
**Page** BDPXAC1A

**TRIM - LOWER FACIA - Up To MA647645.**

III. Part No.	Description	Qty	Remarks
<b>Non air conditioning RHS</b>			
1	MXC6963RUN	1	Note(1)
	BTR5363RUN	1	Note(2)
<b>Non air conditioning LHS</b>			
	MXC6962RUN	1	Note(1)
	BTR5362RUN	1	Note(2)
<b>Air conditioning RHS</b>			
	MXC7158RUN	1	
<b>Air conditioning LHS</b>			
	MXC7157RUN	1	
<b>Vehicles with wood trim</b>			
2	BTR1191	4	Note(3)
	BTR7072	4	Note(4)
<b>Vehicles without wood trim</b>			
	MXC5572	4	Note(5)
	BTR7071	4	Note(6)

Note(1) Up to JA624755  
 Note(2) From KA624756  
 Note(3) Up to KA632956  
 Note(4) From KA632957  
 Note(5) Up to KA634214  
 Note(6) From KA634215  
 Note(7) COLOUR CODE RUN - Bokhara

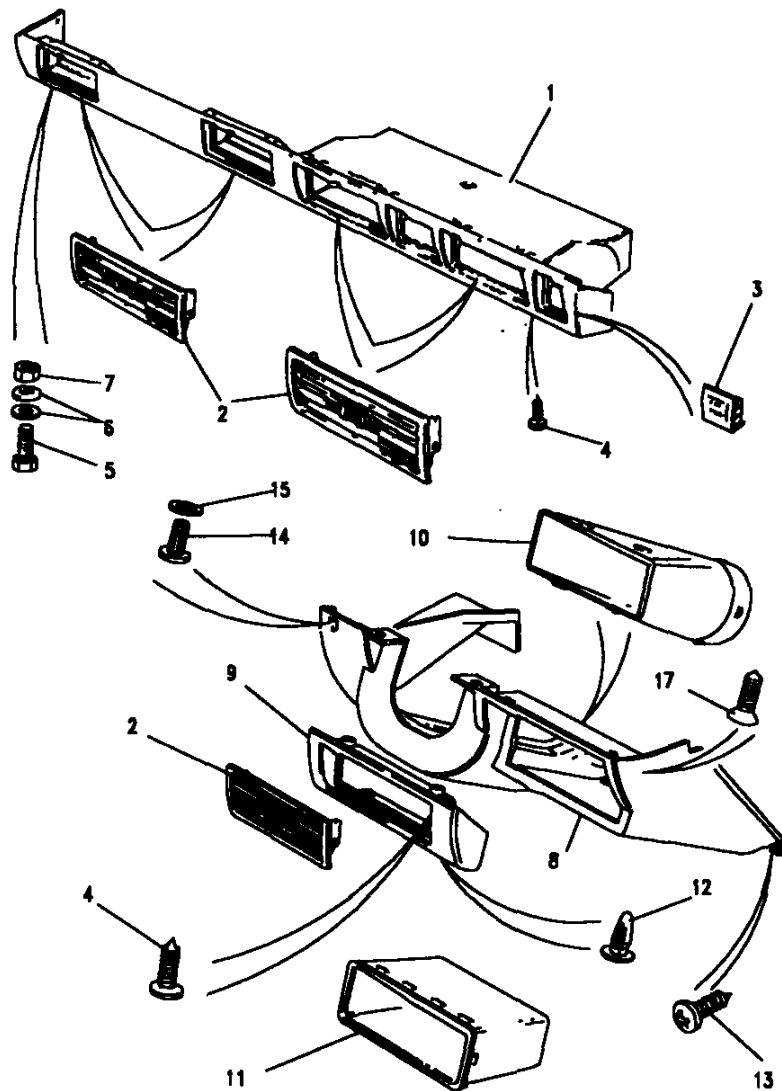


**Model** RANGE ROVER 1992 onwards  
**Page** BDPXAC1A

**TRIM - LOWER FACIA - Up To MA647645.**

III. Part No.	Description	Qty	Remarks
<b>All variants</b>			
3	MWC1293	1	Finisher
4	AB610061L	4	Screw
5	SH104201	5	Screw
6	WA104001L	10	Washer plain
7	NH104041L	5	Nut
<b>RHS only</b>			
8	BTR430RUN	1	Lower facia
<b>LHS only</b>			
	BTR431RUN	1	Lower facia
<b>With air conditioning LHS</b>			
9	MUC6559RUN	1	Facia rail bezel
<b>With air conditioning RHS</b>			
	MWC3250RUN	1	Facia rail bezel
<b>All non air conditioning</b>			
10	MUC8342	1	Duct
11	MUC3870	1	Pocket storage

Note(1) For wood facia rail see page 712 - 715  
 Note(2) COLOUR CODE RUN - Bokhara

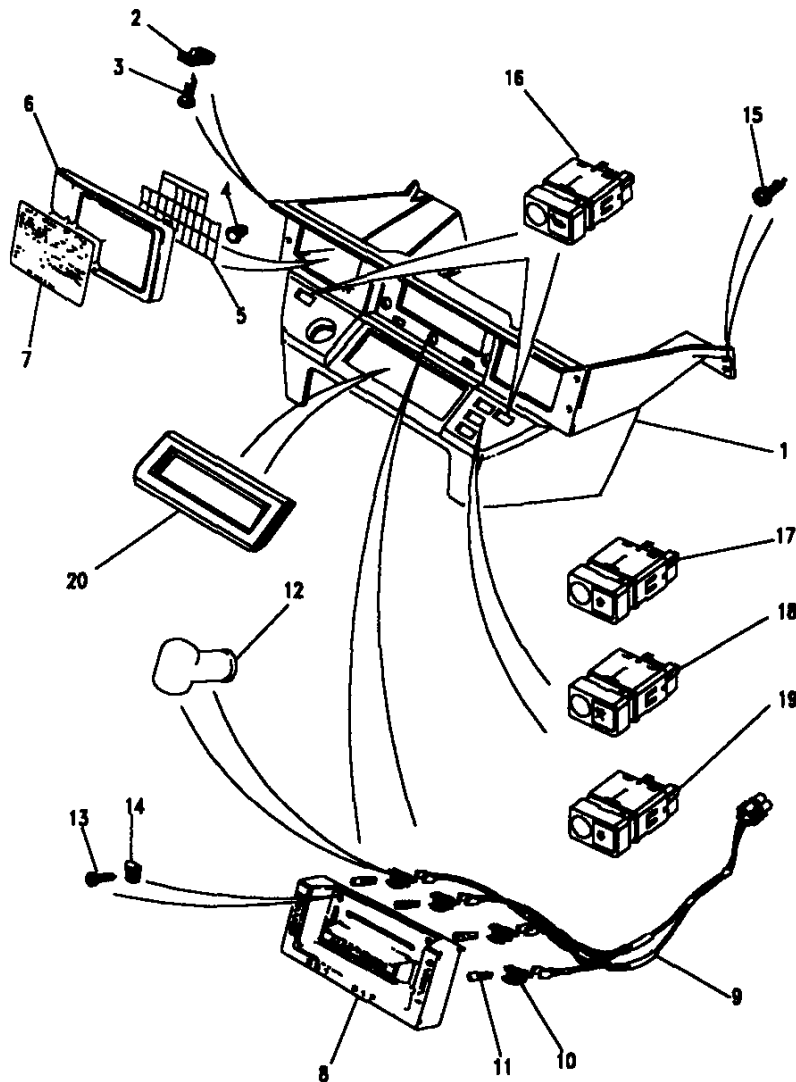


**Model** RANGE ROVER 1992 onwards  
**Page** BDPXAC1A

**TRIM - LOWER FACIA- Up To MA647645.**

III. Part No.	Description	Qty	Remarks
<b>All variants</b>			
12 BTR9437	Fastener	2	
MRC4283SUA	Fastener	2	
MRC4283RWD	Fastener	2	
MRC4283AUK	Fastener	2	
13 AB612041L	Screw	4	
14 AB610061L	Screw	3	
15 4030L	Washer plain	3	
16 AB608101I	Screw	1	

Note(1) For wood facia rail see page 712 - 715  
 Note(2) COLOUR CODE RUN - Bokhara



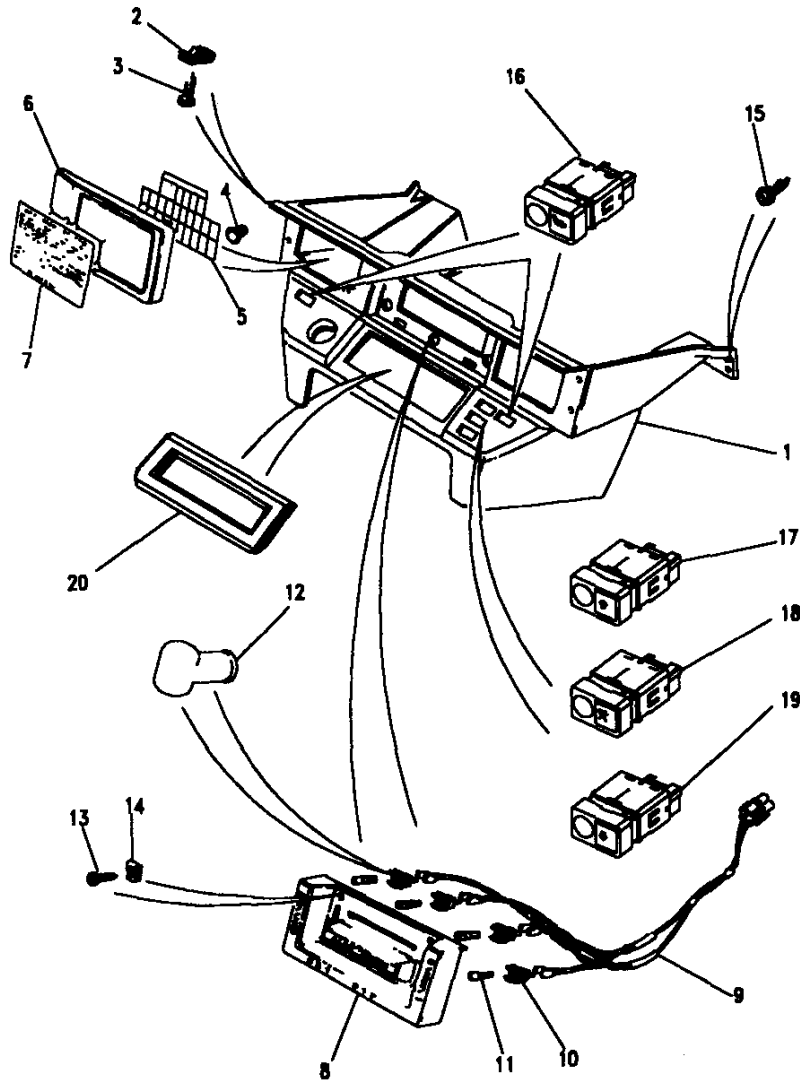
**Model** RANGE ROVER 1992 onwards  
**Page** BDPXAC3A

**TRIM - RADIO HOUSING & CONTROLS - Up To MA647645.**

III. Part No.	Description	Qty	Remarks
<b>Germany - non heated seats</b>			
1 BTR3409RUN	Console	1	Note(1)
BTR6697RUN	Console	1	Note(2)
<b>Germany - heated seats</b>			
BTR6696RUN	Console	1	
<b>Basic vehicles - RHS</b>			
1 BTR2612RUN	Console	1	Note(1)
BTR6688RUN	Console	1	Note(2)
<b>Basic vehicles - LHS</b>			
1 BTR2613RUN	Console	1	Note(1)
BTR6689RUN	Console	1	Note(2)
<b>Vogue / Vogue SE vehicles - RHS</b>			
1 BTR2608RUN	Console	1	Note(1)
BTR6690RUN	Console	1	Note(2)
<b>Vogue / Vogue SE vehicles - LHS</b>			
1 BTR2609RUN	Console	1	Note(1)
BTR6691RUN	Console	1	Note(2)

Note(1) Up to KA628966  
 Note(2) From KA628967  
 Note(3) COLOUR CODE RUN - Bokhara



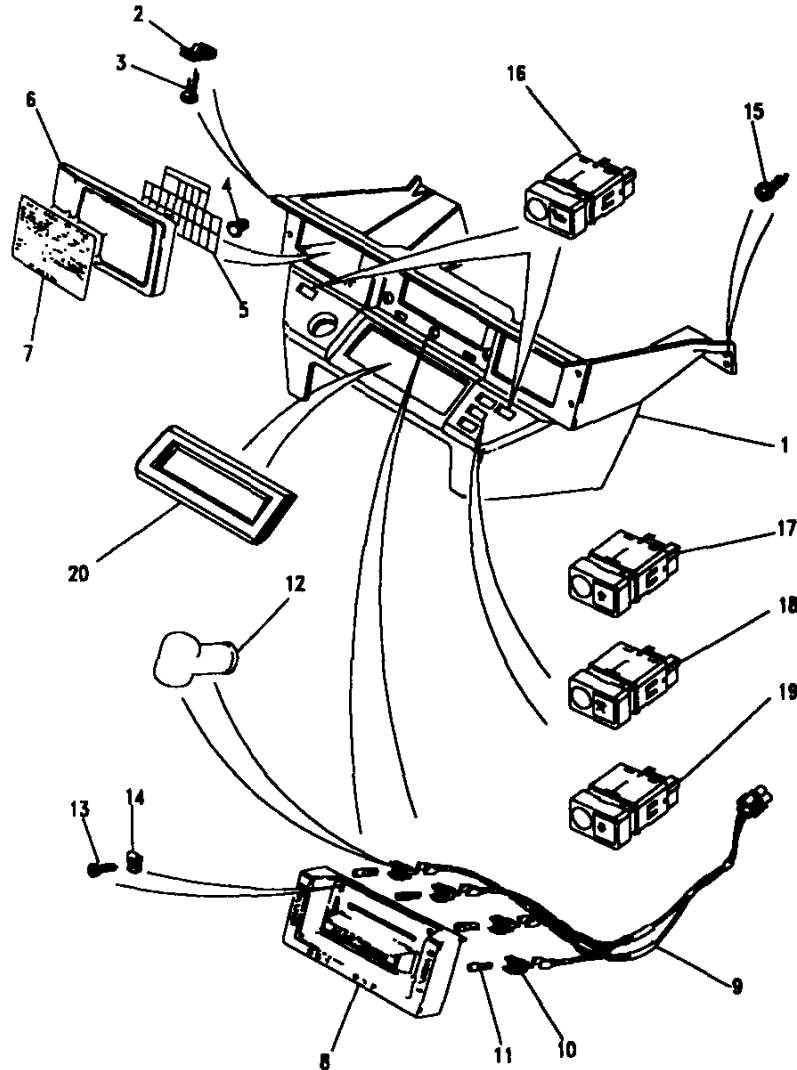


**Model** RANGE ROVER 1992 onwards  
**Page** BDPXAC3A

**TRIM - RADIO HOUSING & CONTROLS - Up To MA647645.**

Ill. Part No.	Description	Qty	Remarks
<b>Vogue SE vehicles - air suspension - RHS</b>			
1 BTR2610RUN	Console	1	Note(1)
BTR6694RUN	Console	1	Note(2)
<b>Vogue SE vehicles - air suspension - LHS</b>			
1 BTR2611RUN	Console	1	Note(1)
BTR6695RUN	Console	1	Note(2)
<b>Australia only - air suspension</b>			
1 BTR2606RUN	Console	1	Note(1)
BTR6692RUN	Console	1	Note(2)
<b>Gulf states only - air suspension</b>			
1 BTR2607RUN	Console	1	Note(1)
BTR6693RUN	Console	1	Note(2)

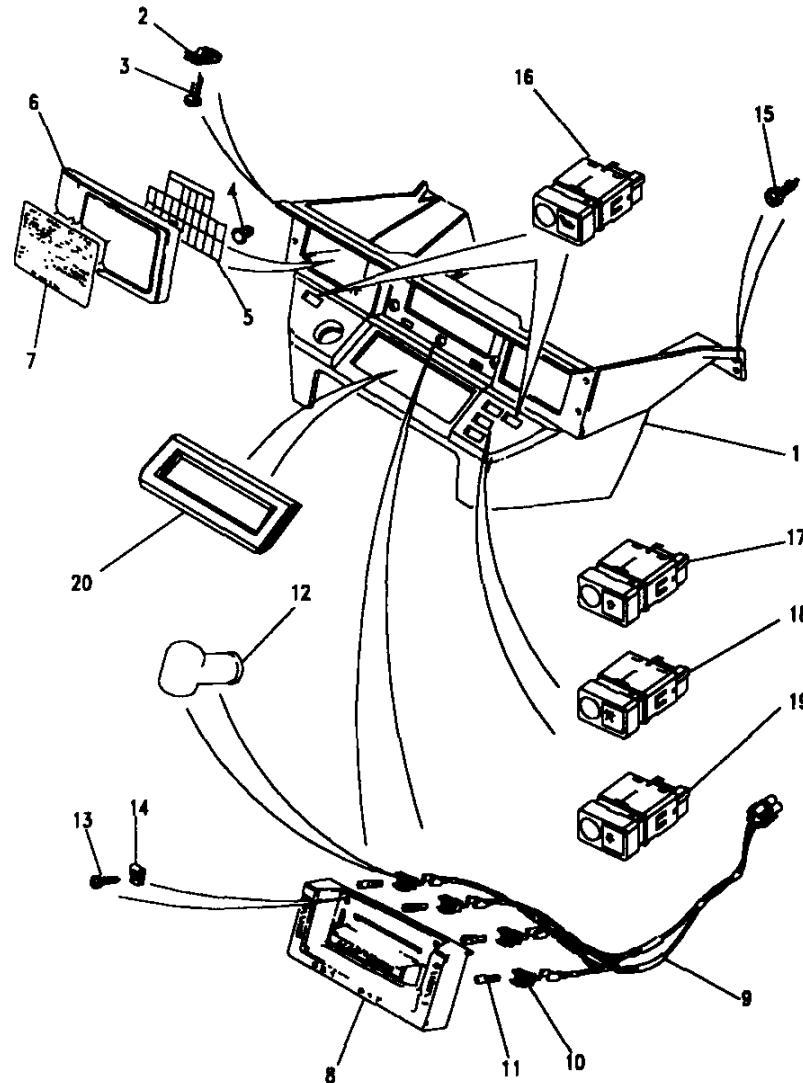
Note(1) Up to KA628966  
 Note(2) From KA628967  
 Note(3) COLOUR CODE RUN - Bokhara



**Model** RANGE ROVER 1992 onwards  
**Page** BDPXAC3A

**TRIM - RADIO HOUSING & CONTROLS - Up To MA647645.**

III. Part No.	Description	Qty	Remarks
<b>All variants</b>			
2	AK608041L	4	Nut
3	AFU3002	4	Screw
4	AFU3075	4	Bush
5	PRC8720	1	Label
	PRC8719	1	Label
6	BTR3486RUN	1	Fuse cover
<b>Automatic</b>			
7	BTR1314	1	Plate instruction
	BTR8626	1	Plate instruction
<b>Manual</b>			
	BTR1315	1	Plate instruction
	BTR8627	1	Plate instruction
<b>All variants</b>			
8	MXC5550	1	Plate heater controls
	MXC5551	1	Plate heater controls
9	PRC5620	1	Harness
10	ADU4903L	4	Bulb holder
11	RTC3635	4	Bulb
12	ATU1024	4	Cover terminal
13	AS608064	2	Screw
14	AK608045	2	Nut
15	AB612041L	4	Screw

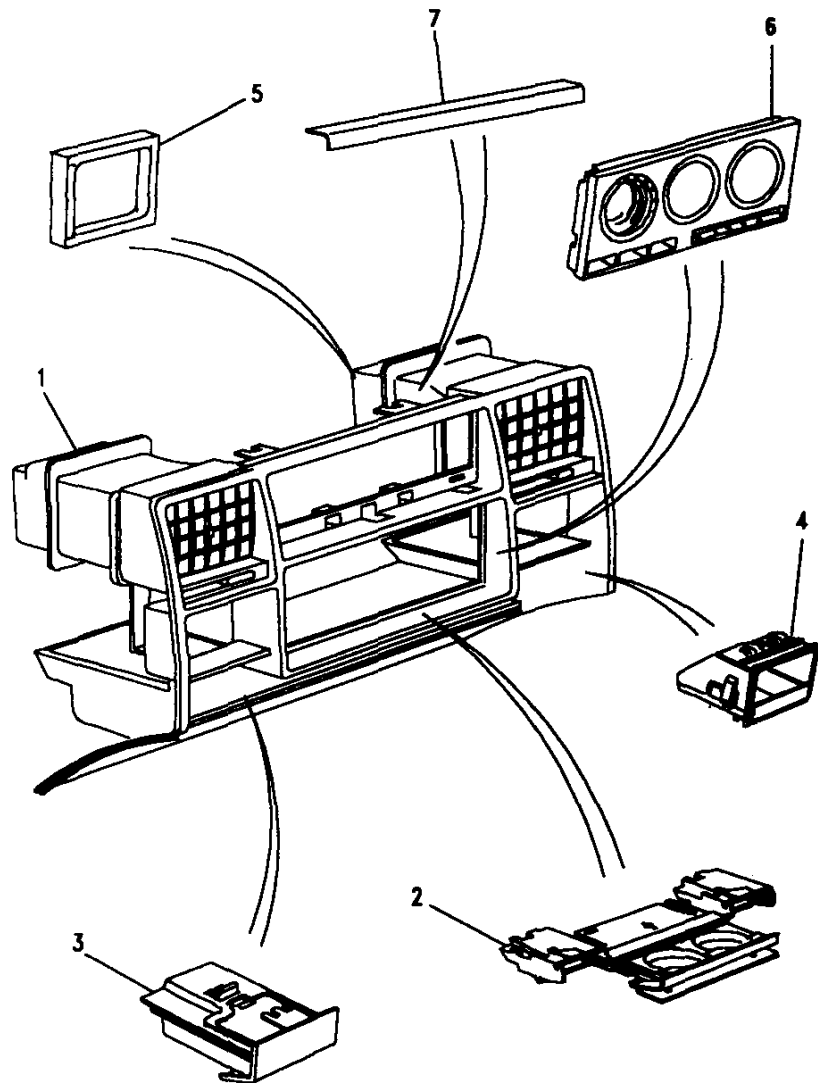


**Model** RANGE ROVER 1992 onwards  
**Page** BDPXAC3A

**TRIM - RADIO HOUSING & CONTROLS- Up To MA647645.**

III. Part No.	Description	Qty	Remarks
16	PRC8539	2	Note(1)
	AMR3293	2	Note(2)
	STC1205	2	
<b>Raise</b>			
17	PRC8536	1	Note(1)
	AMR3290	1	Note(2)
	STC1205	2	
<b>Inhibit</b>			
18	PRC8537	1	Note(1)
	AMR3291	1	Note(2)
	STC1205	2	
<b>Lower</b>			
19	PRC8538	1	Note(1)
	AMR3292	1	Note(2)
	STC1205	2	
20	BTR2602RUN	1	

Note(1) Up to KA640177  
 Note(2) From KA640178  
 Note(3) Harness for air suspension switches see page 530  
 Note(4) COLOUR CODE. RUN - Bokhara



**Model** RANGE ROVER 1992 onwards  
**Page** BDPXAC4A

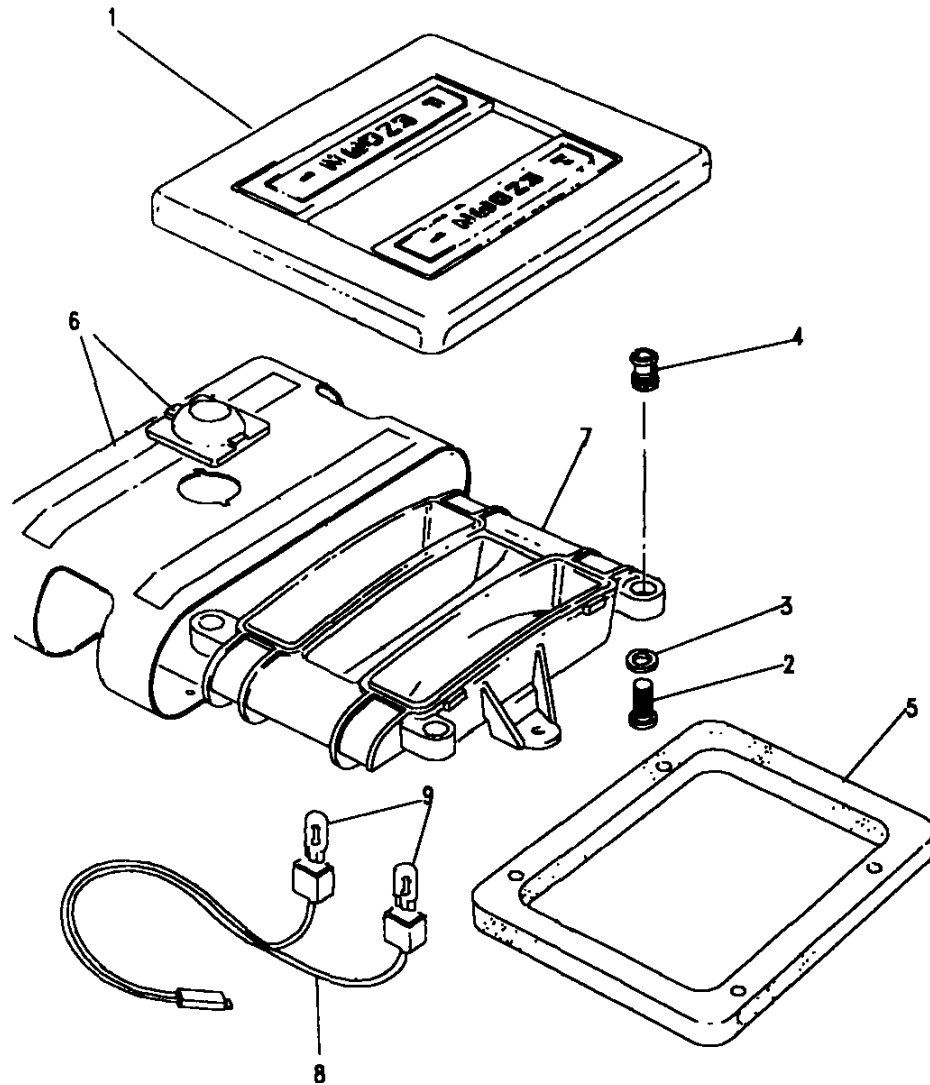
**TRIM - FACIA CENTRE CONSOLE MA647645 on**

III. Part No.	Description	Qty	Remarks
1 BTR9903LNF	Console centre facia	1	
2 AWR1156LNF	Tray burr walnut	1	
AWR1199LNF	Tray non drinks	1	
AWR1200LNF	Tray drinks	1	
3 AWR1195LNF	Ashtray	1	
4 AWR1196LNF	Tray coin	1	
5 BTR7173	Seal	2	
6 BTR6495	Heater graphics plate	1	
BTR9506	Heater graphics plate	1	Burr walnut
7 BTR7714LNF	Cover fixings Alarm	1	
BTR8281LNF	Cover fixings Non Alarm	1	

**Model** RANGE ROVER 1992 onwards  
**Page** BDPXCA1A

**TRIM - AUTO SELECT MOUNTING - Up To MA647645.**

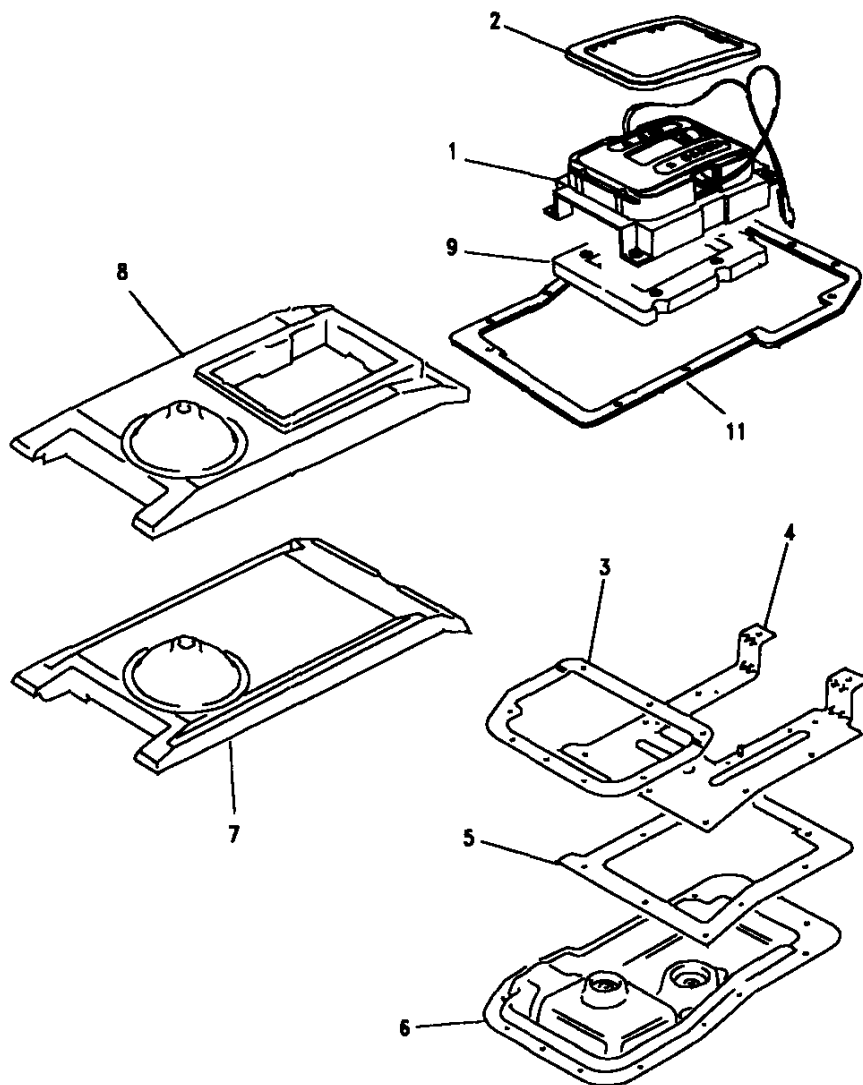
III. Part No.	Description	Qty	Remarks
1 BTR1955	Bezel auto select	1	
2 SE104161L	Screw	4	
3 WA104001L	Washer plain	4	
4 ATU1008L	Fastener	4	
5 MUC4129	Gasket	1	
6 RTC8683	Illumination unit	1	
7 MUC8989	Guide Box	1	
8 PRC6180	Link lead	1	
9 573289	Bulb	2	



**Model** RANGE ROVER 1992 onwards  
**Page** BDPXCA1B

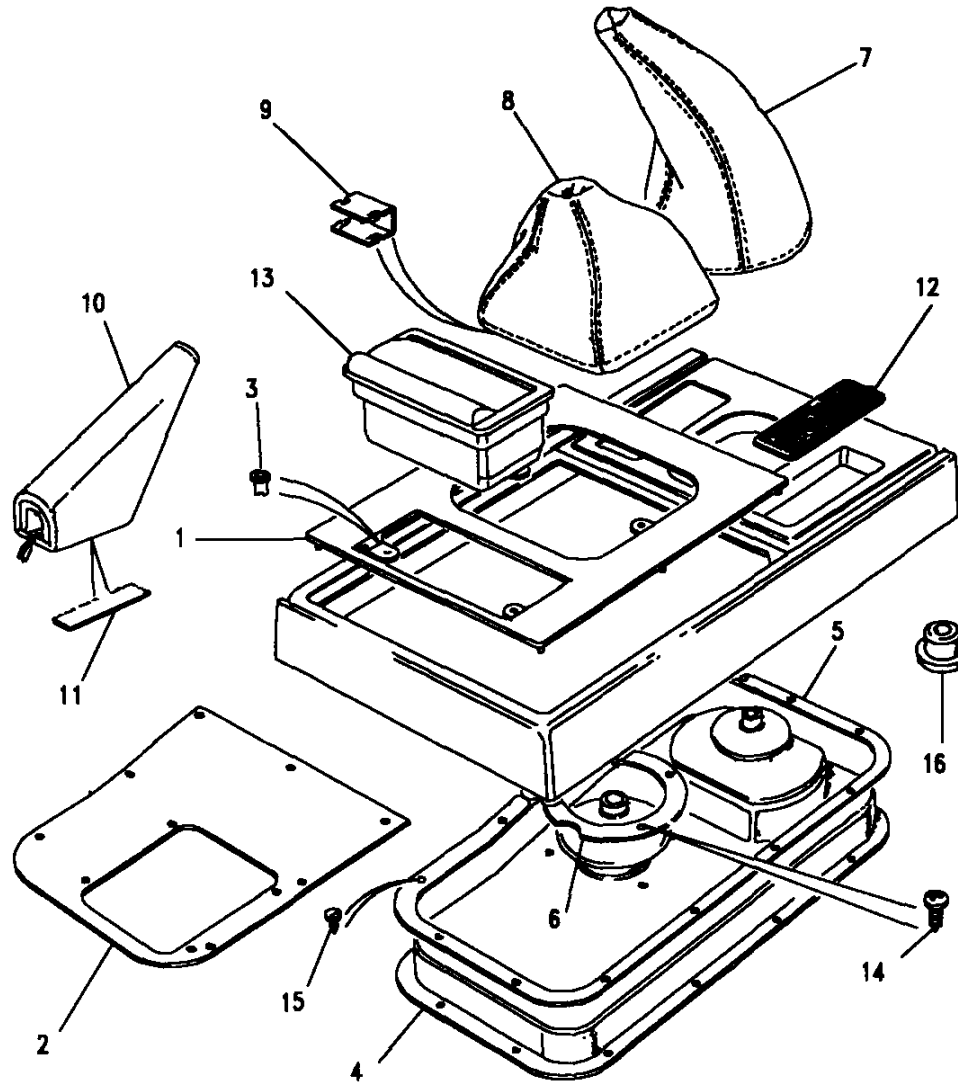
**TRIM - AUTO/MANUAL SELECT MA647645 On.**

III. Part No.	Description	Qty	Remarks
<b>Auto gearbox</b>			
1	BTR9924LNF	1	Illumination unit
2	BTR9691LNF	1	Bezel auto with seal
3	BTR9714	1	Retainer caiter auto
4	BTR9812	1	Plate sealing auto
5	BTR9816	1	Seal tunnel auto
8	BTR9815	1	Insulator insert
9	BTR9717	1	Sealing spacer
10	BTR9690	1	Seal bezel
11	BTR8330	1	Insulator auto insert
12	BTR375	1	Pad sealing auto
<b>Manual gearbox</b>			
6	BTR9858	1	Sealing gaiter
7	BTR9218	1	Insert manual insulator



**Model** RANGE ROVER 1992 onwards  
**Page** BDPXCA2A

**TRIM - CONSOLE - Up To MA647645.**

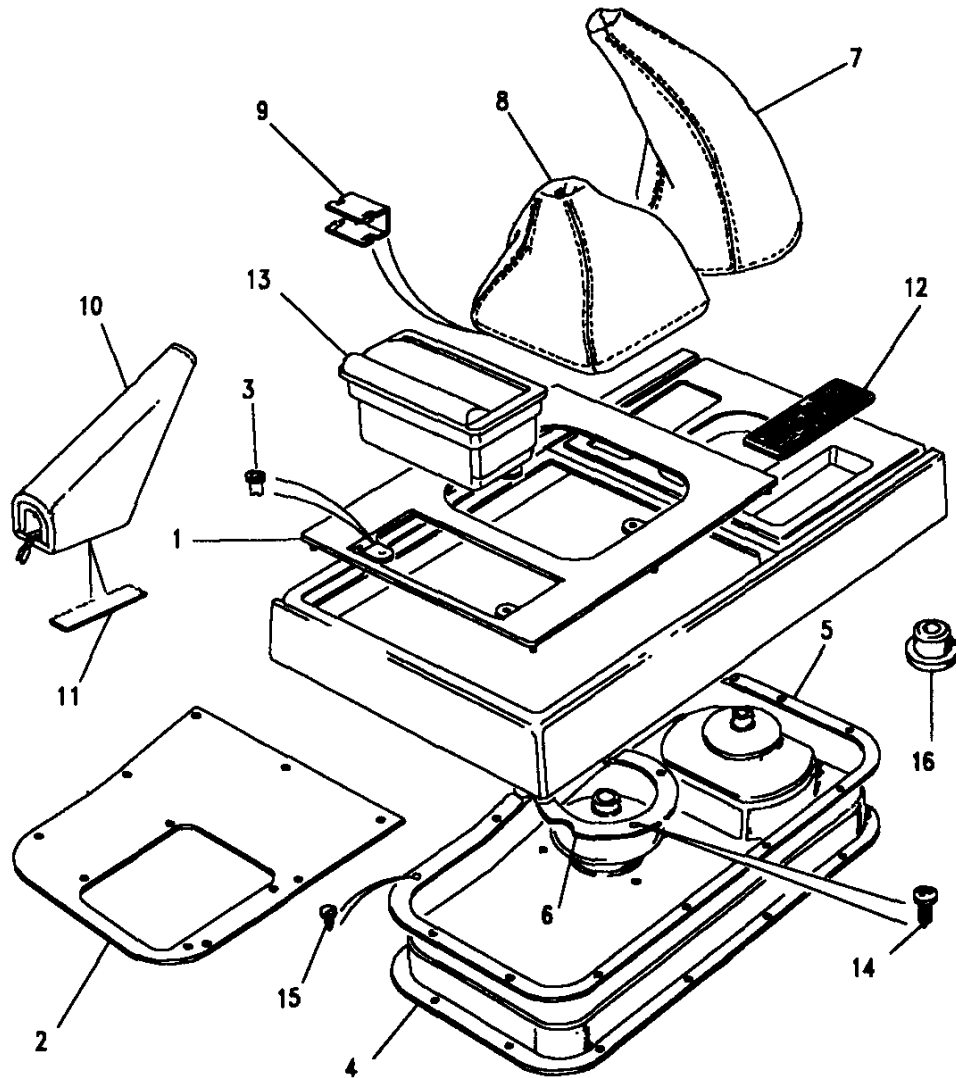


III. Part No.	Description	Qty	Remarks
1	MUC8984RUN	1	Manual
	MUC8985RUN	1	Automatic
2	MWC2961	1	
3	AFU3075	16	
4	MUC8806	1	Manual
	MWC5396	1	Automatic
5	MUC9281	1	Manual
	MUC9284	1	Automatic
6	MUC3664	1	
7	MXC2070RUN	1	Gaiter Vinyl
	MXC1889RUN	1	Gaiter Leather
8	MXC2067RUN	1	Gaiter Vinyl
	MXC1639RUN	1	Gaiter Leather

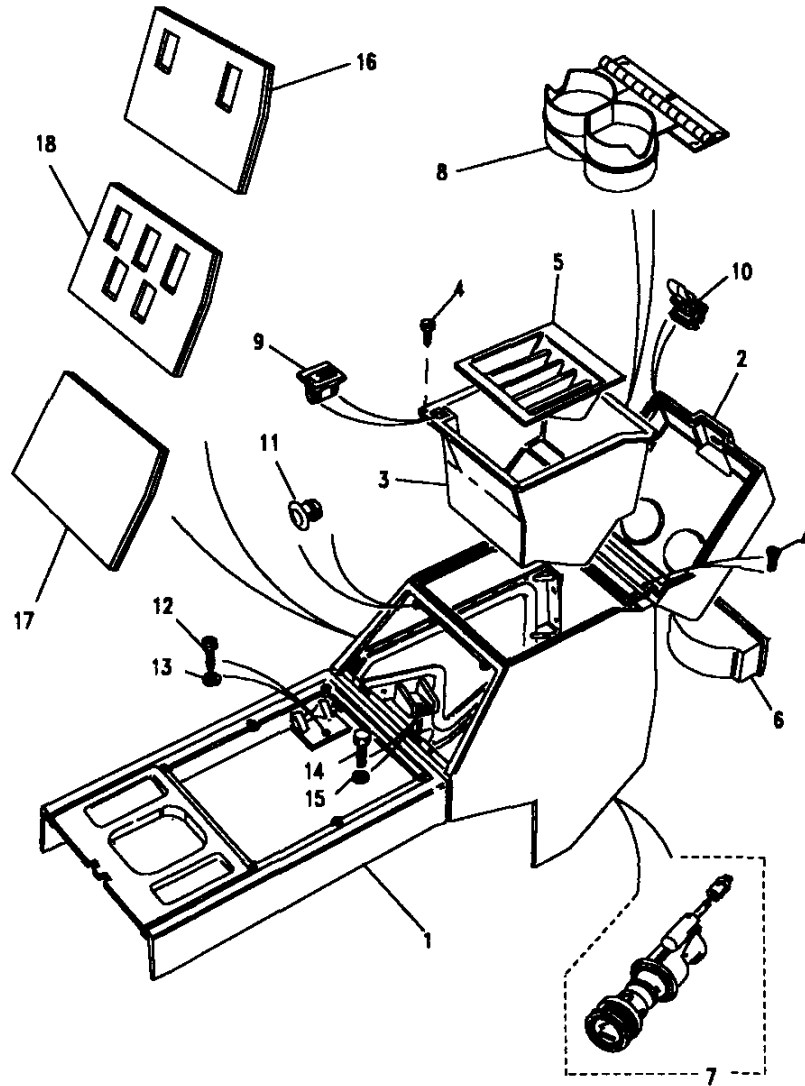
**Model** RANGE ROVER 1992 onwards  
**Page** BDPXCA2A

**TRIM - CONSOLE- Up To MA647645.**

III. Part No.	Description	Qty	Remarks
9	MTC6264	4	Clip
10	MXC7712RUN	1	Gaiter Vinyl
	MXC7711RUN	1	Gaiter Leather
11	MWC3360	2	Strip retaining
12	MUC2498RUN	2	Mat coin tray
13	MUC8987	1	Ashtray
14	AB610041L	4	Screw
15	SE106201L	14	Screw
16	MUC4856	1	Bush





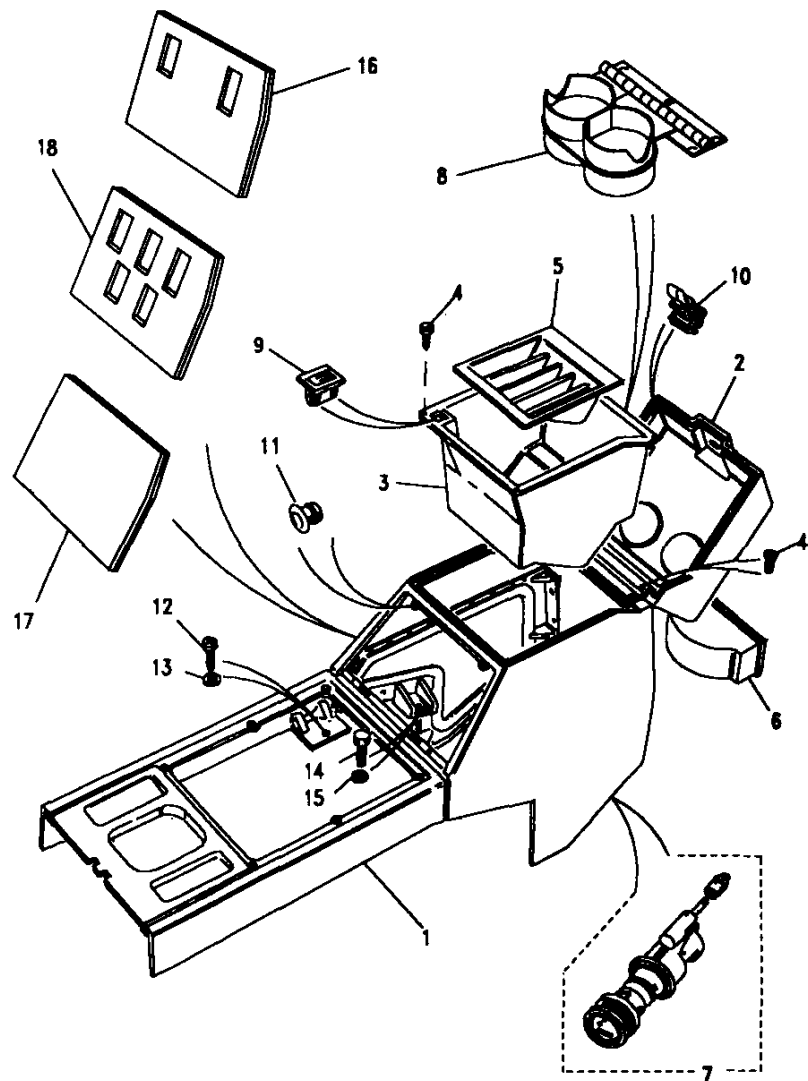


**Model** RANGE ROVER 1992 onwards  
**Page** BDPXCC1A

**TRIM - CUBBY BOX - Up To MA647645**

III. Part No.	Description	Qty	Remarks
1	BTR8807RUN	1	
2	MUC9897RUN	1	
	RTC8091RUN	1	Cellular Phone
3	BTR1018PMA	1	
4	SF104084L	12	
5	MUC3672	1	
6	MXC6930	1	
7	PRC9410	1	
8	STC8162	1	
9	MUC9336	1	
10	MUC9335	1	
11	AFU3075	4	
12	AB614081L	2	
13	MRC5528	2	
14	SH108451	2	
15	AFU1079	2	

Note(1) COLOUR CODE. RUN - Bokhara.

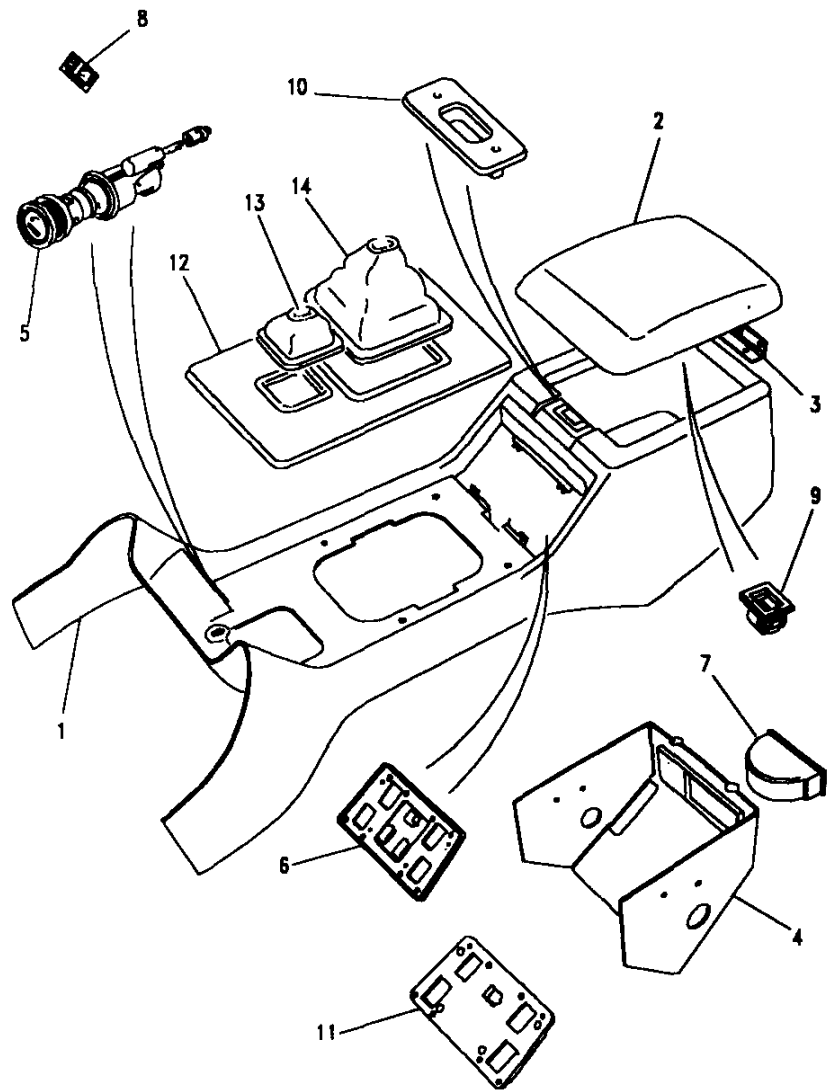


**Model** RANGE ROVER 1992 onwards  
**Page** BDPXCC1A

**TRIM - CUBBY BOX - Up To MA647645.**

III. Part No.	Description	Qty	Remarks
<b>2 Door - electric windows</b>			
16	MXC7781RUN Plate mounting	1	
<b>2 &amp; 4 Door non electric windows LHS</b>			
17	MXC1795RUN Plate mounting	1	
<b>2 &amp; 4 Door non electric windows RHS</b>			
	MXC1794RUN Plate mounting	1	
<b>4 Door - electric windows LHS</b>			
18	MXC7783RUN Plate mounting	1	
<b>4 Door - electric windows RHS</b>			
	MXC7782RUN Plate mounting	1	

Note(1) COLOUR CODE. RUN - Bokhara.



**Model** RANGE ROVER 1992 onwards  
**Page** BDPXCC2A

**TRIM - CUBBY BOX - MA647645 On.**

III. Part No.	Description	Qty	Remarks
1	BTR4292LNF	1	}MAN
	BTR4292SUA	1	
	BTR4293LNF	1	
	BTR4293SUA	1	
		1	}AUTO
2	STC1804LNF	1	
	STC1805SUA	1	
3	BTR9910LNF	1	
4	BTR8409LNF	1	
	BTR8409SUA	1	
5	YUJ10037L	1	
6	AWR1439	1	
7	AWR1399	1	
8	AWR1183	1	
	BTR9547	1	
9	BTR9128LNF	1	
10	BTR8902LNF	1	
11	BTR3655LNF	1	Heated seats
	BTR3644LNF	1	
12	BTR3087PMA	1	MANUAL
	BTR3088PMA	1	AUTO
13	BTR8841LNF	1	VINYL
	BTR9528LNF	1	LEATHER
14	BTR9929LNF	1	VINYL
	BTR9529LNF	1	LEATHER
15	BTR8842	4	
16	BTR7958	1	

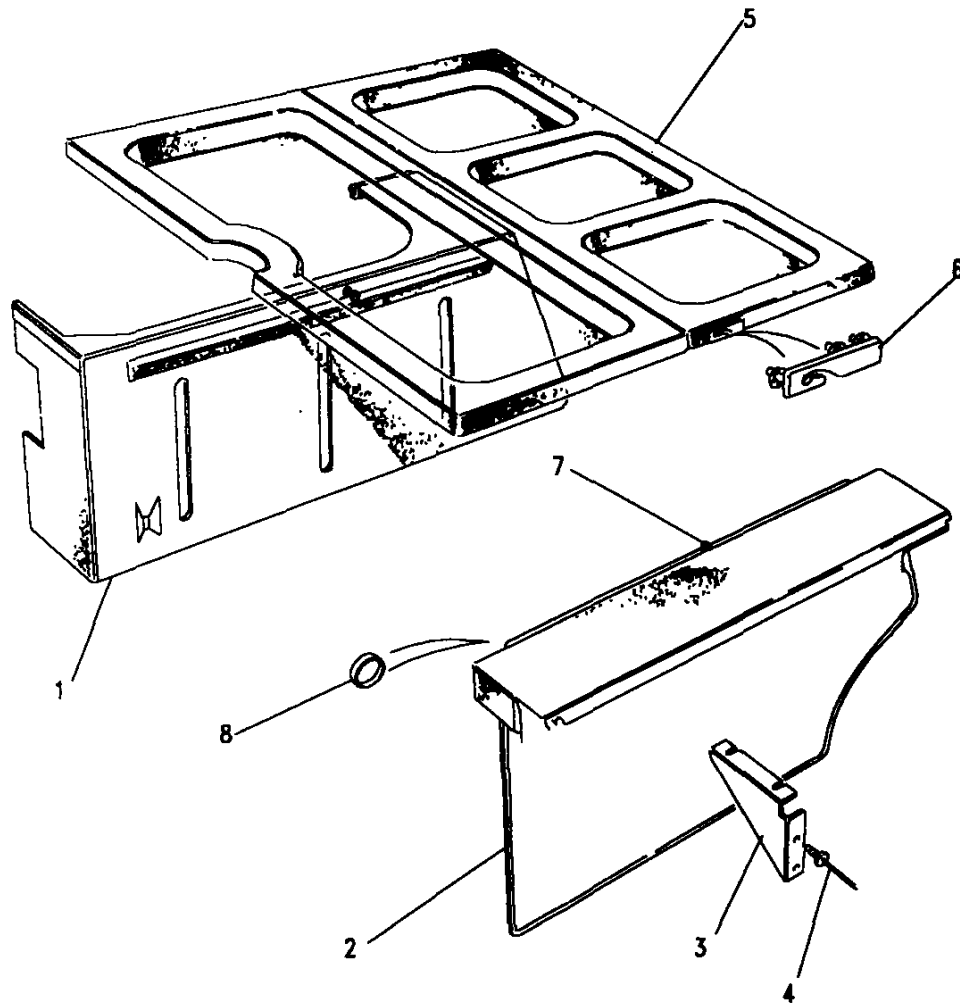
**Model** RANGE ROVER 1992 onwards

**Page** BDPXCE1A

**TRIM - PARCEL TRAY UP TO JA624755.**

Ill. Part No.	Description	Qty	Remarks
<b>2 Door</b>			
1 BTR332AUE	Support LH	1	
<b>4 Door</b>			
1 BTR332AUE	Support LH	1	
BTR332LUL	Support LH	1	
<b>2 Door</b>			
2 BTR1492AUE	Support RH	1	
<b>4 Door</b>			
2 BTR1491AUE	Support RH	1	
BTR1491LUL	Support RH	1	
<b>With CD player</b>			
2 BTR1487AUE	Support RH	1	
BTR1487LUL	Support RH	1	
<b>All variants</b>			
3 MXC5222	Bracket	1	
4 RU612183	Rivet	6	

Note(1) COLOUR CODE LUL - Winchester grey, AUE - Brogue.

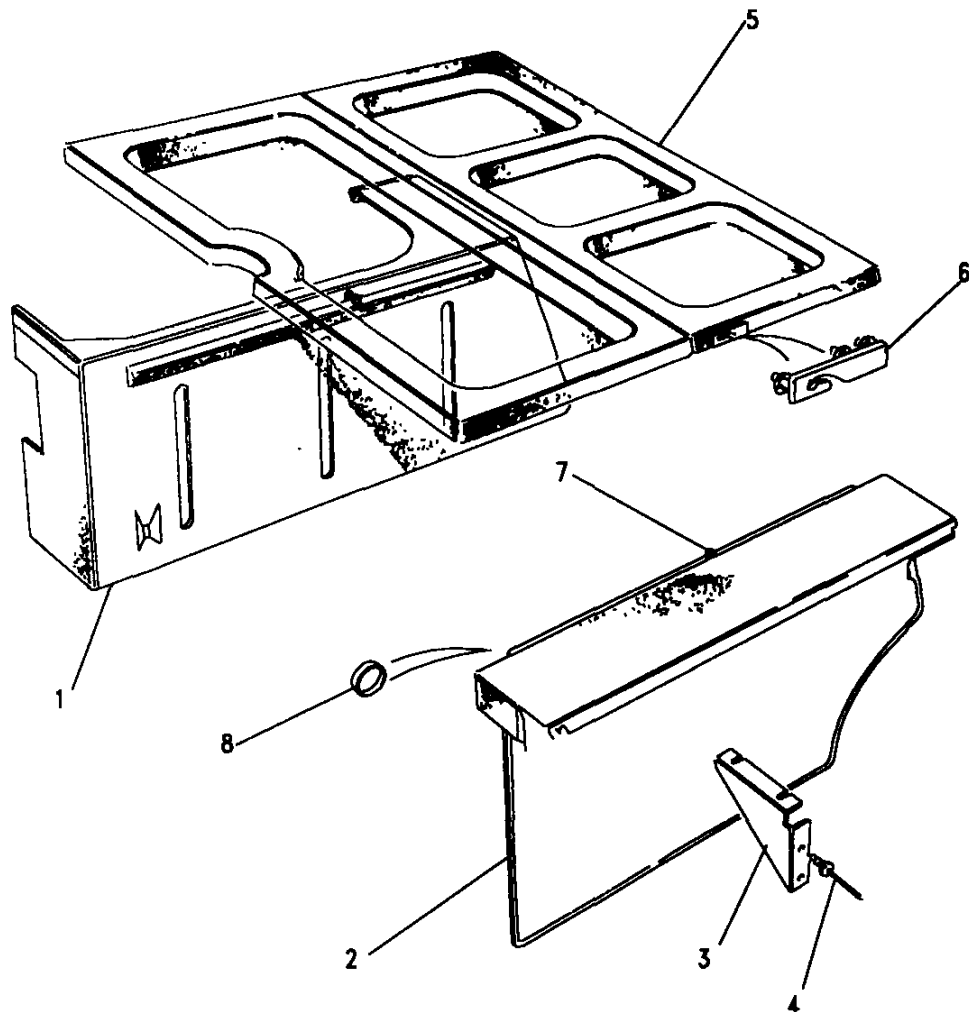


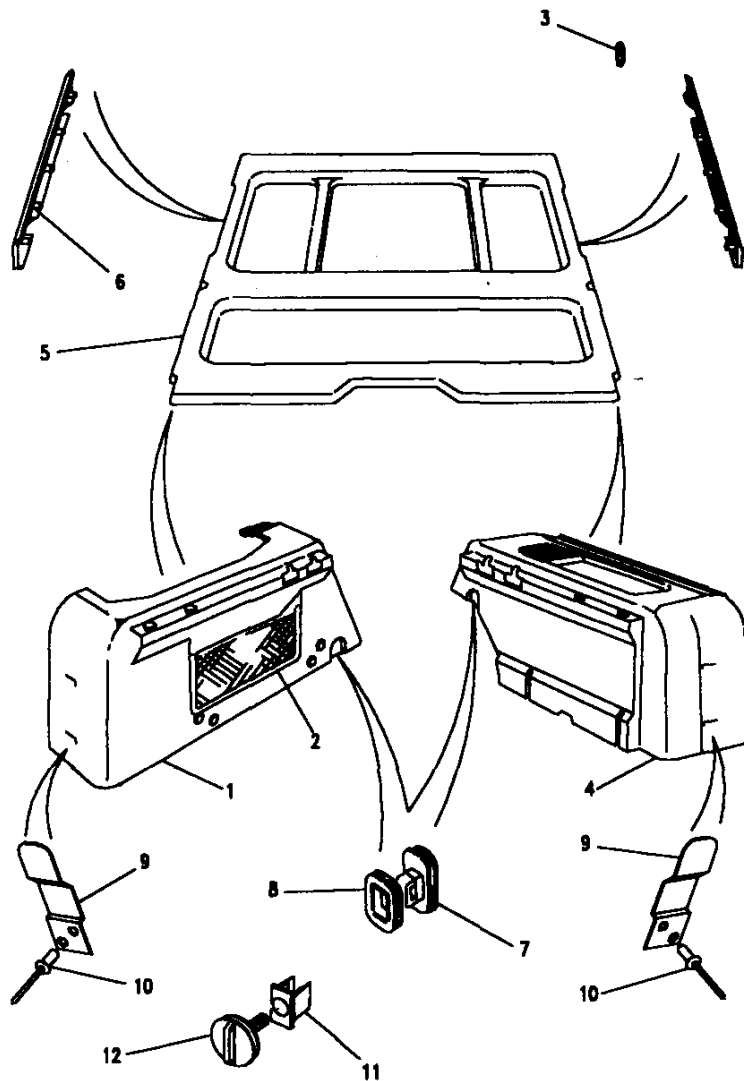
**Model** RANGE ROVER 1992 onwards  
**Page** BDPXCE1A

**TRIM - PARCEL TRAY UP TO JA624755.**

Ill. Part No.	Description	Qty	Remarks
5	MXC5650AUE MXC5650LUL	1 1	
6	RTC6111LUL RTC6112SUA	A/R A/R	
7	STC335	2	
8	STC743LUL STC743SUA	A/R A/R	

Note(1) COLOUR CODE. LUL - Winchester grey, AUE - Brogue, SUA - Sorrell brown.



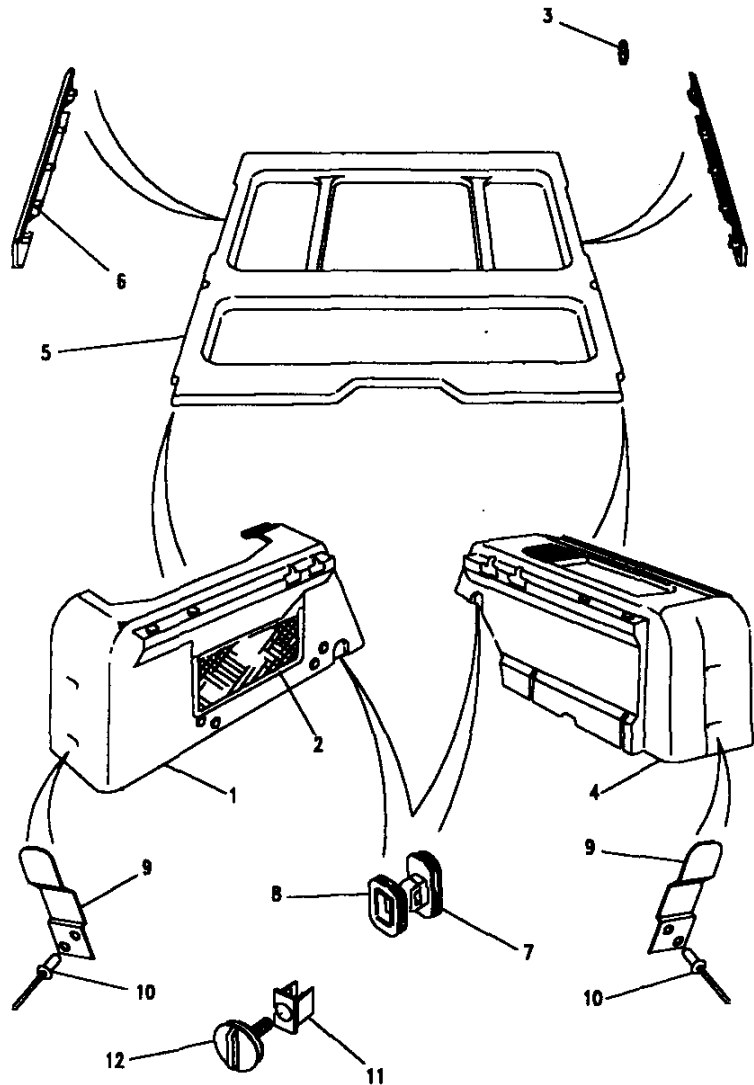


**Model** RANGE ROVER 1992 onwards  
**Page** BDPXCE3A

**TRIM - PARCEL TRAY FROM KA624756**

III. Part No.	Description	Qty	Remarks
<b>2 door</b>			
1 BTR5791AUE	Support LH	1	Note(1)
BTR8121AUE	Support LH	1	Note(2)
<b>4 Door</b>			
1 BTR5789AUK	Support LH	1	)Note(1)
BTR5789AUE	Support LH	1	
BTR5789LUL	Support LH	1	)
BTR5789RWD	Support LH	1	
BTR8119AUK	Support LH	1	)Note(2)
BTR8119AUE	Support LH	1	
BTR8119LUL	Support LH	1	)
BTR8119RWD	Support LH	1	
BTR8099AUE	Support LH	1	)Note(3)
BTR8099LNF	Support LH	1	
BTR8099LOY	Support LH	1	)
2 BTR3617RUN	Net assembly	1	
BTR3617LNF	Net assembly	1	Note(3)
3 AN605011L	Fastener push on	A/R	

Note(1) Up to KA637311  
 Note(2) From KA637312  
 Note(3) From MA647645

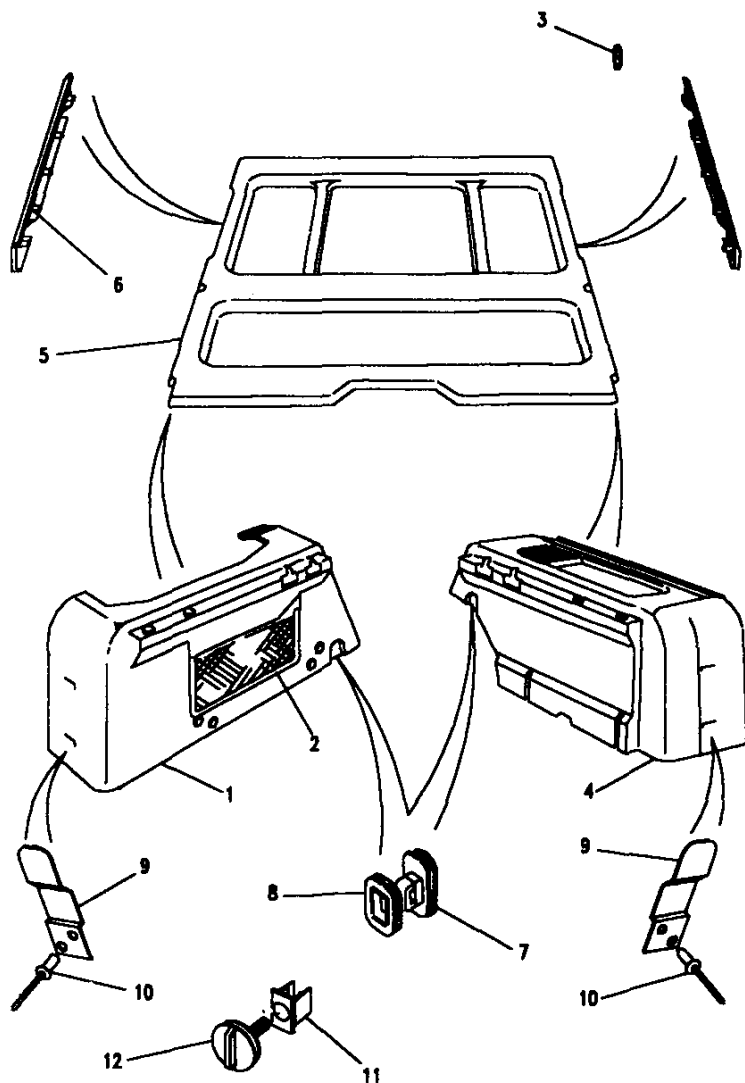


**Model** RANGE ROVER 1992 onwards  
**Page** BDPXCE3A

**TRIM - PARCEL TRAY FROM KA624756**

III. Part No.	Description	Qty	Remarks
<b>2 Door</b>			
4 BTR5790AUE	Support RH	1	Note(1)
BTR8122AUE	Support RH	1	Note(2)
<b>4 Door - no CD player.</b>			
4 BTR5792AUE	Support RH	1	)
BTR5792LUL	Support RH	1	)Note(1)
BTR8120AUE	Support RH	1	)
BTR8120LUL	Support RH	1	)Note(2)
BTR8102LNF	Support RH	1	)
BTR8102LOY	Support RH	1	)
BTR8102AUE	Support RH	1	)Note(3)

Note(1) Up to KA637311  
 Note(2) From KA637312  
 Note(3) From MA647645  
 Note(4) COLOUR CODE AUE - Brogue, LUL - Winchester grey, RUN - Bokhara, RWD - Sable, AUK - Tan LOY - Dark Granite LNF - Ash Grey



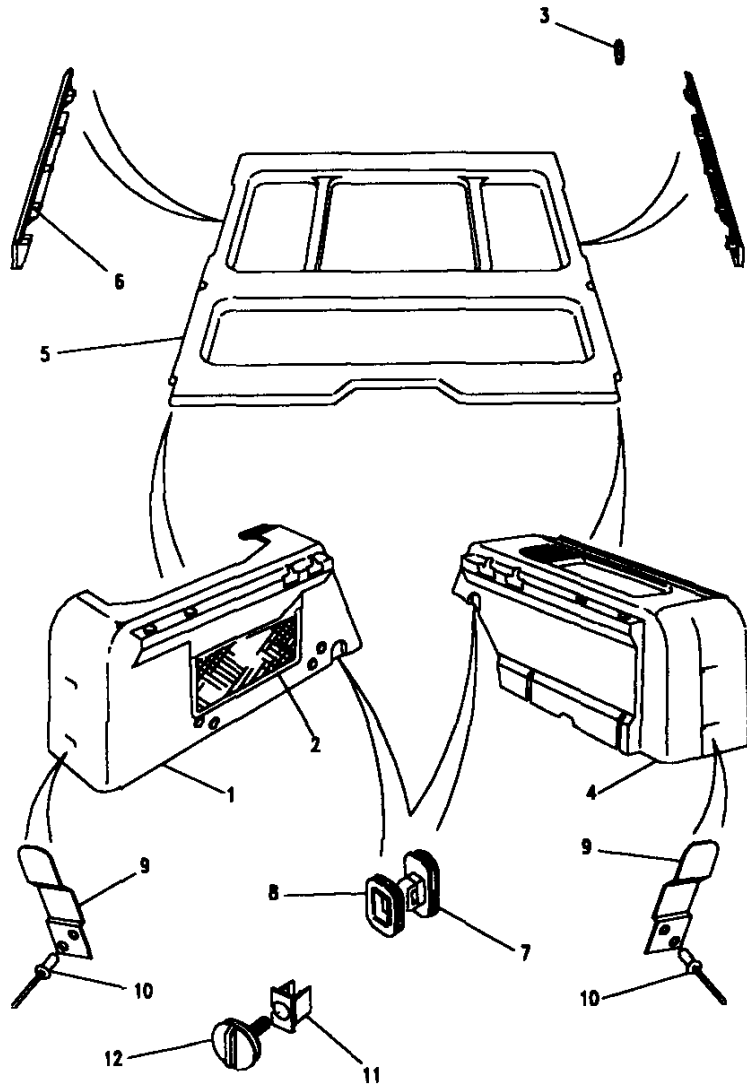
**Model** RANGE ROVER 1992 onwards  
**Page** BDPXCE3A

**TRIM - PARCEL TRAY FROM KA624756**

III. Part No.	Description	Qty	Remarks
<b>4 Door - with CD player.</b>			
4 BTR5788AUK	Support RH	1	)
BTR5788AUE	Support RH	1	)Note(1)
BTR5788LUL	Support RH	1	)
BTR5788RWD	Support RH	1	)
BTR8118AUK	Support RH	1	)
BTR8118AUE	Support RH	1	)Note(2)
BTR8118LUL	Support RH	1	)
BTR8118RWD	Support RH	1	)
BTR8098AUE	Support RH	1	)Note(3)
BTR8098LNF	Support RH	1	)
BTR8098LOY	Support RH	1	)
<b>Centre tray</b>			
5 BTR5793AUK	Cover loadspace	1	)
BTR5793AUE	Cover loadspace	1	)
BTR5793LUL	Cover loadspace	1	)
BTR5793RWD	Cover loadspace	1	)
BTR8097AUE	Cover loadspace	1	)Note(3)
BTR8097LNF	Cover loadspace	1	)
BTR8097LOY	Cover loadspace	1	)

Note(1) Up to KA637311  
 Note(2) From KA637312  
 Note(3) From MA647645





**Model** RANGE ROVER 1992 onwards  
**Page** BDPXCE3A

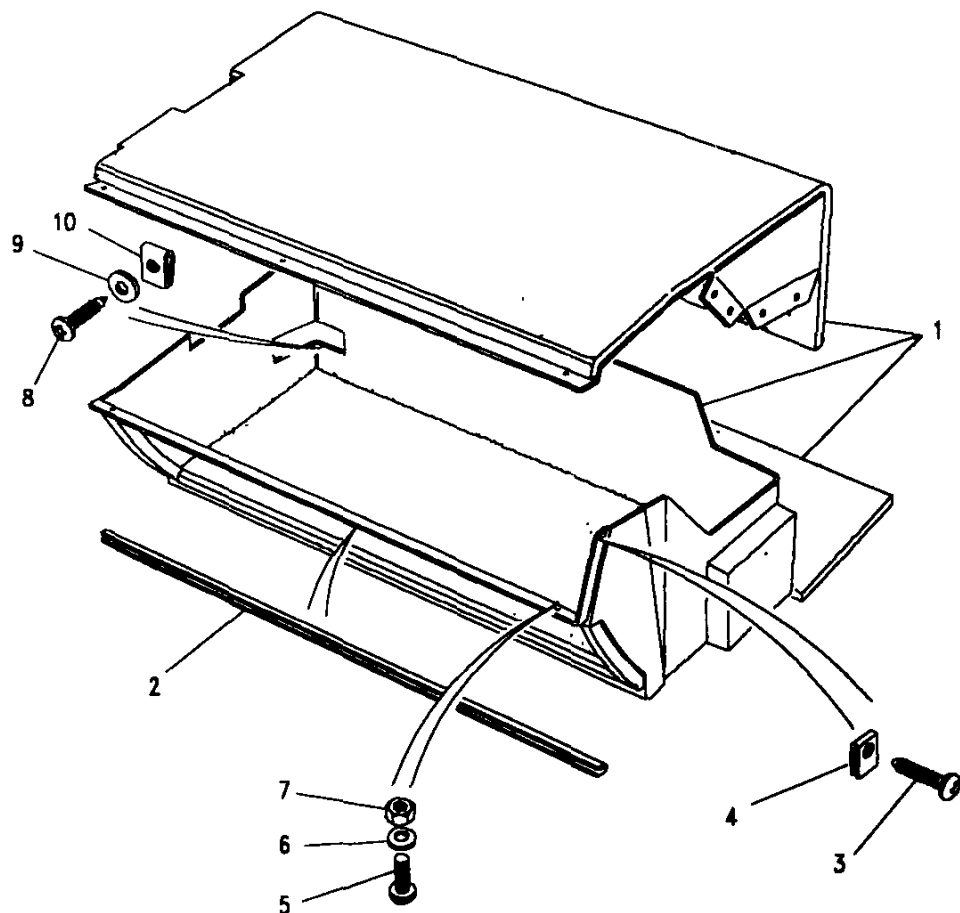
**TRIM - PARCEL TRAY FROM KA624756**

III. Part No.	Description	Qty	Remarks
6 EPE10006RUN	Bracket mounting RH	1	
EPE10006LNF	Bracket mounting RH	1	Note(3)
EPE10007RUN	Bracket mounting LH	1	
EPE10007LNF	Bracket mounting LH	1	Note(3)
7 BTR5787	Catch	2	)
8 STC1456	Catch finishers	2	)Note(1)
9 BTR5894	Clip retaining	2	
BTR5895	Clip retaining	2	
10 RU612183	Rivet	4	
11 BTR8123	Cam link	2	)
12 STC1455	Catch assembly	2	)Note(2)

Note(1) Up to KA637311  
 Note(2) From KA637312  
 Note(3) From MA647645  
 Note(4) COLOUR CODE AUE - Brogue, LUL - Winchester grey, RUN - Bokhara, RWD - Sable, AUK - Tan LOY - Dark Granite LNF - Ash Grey

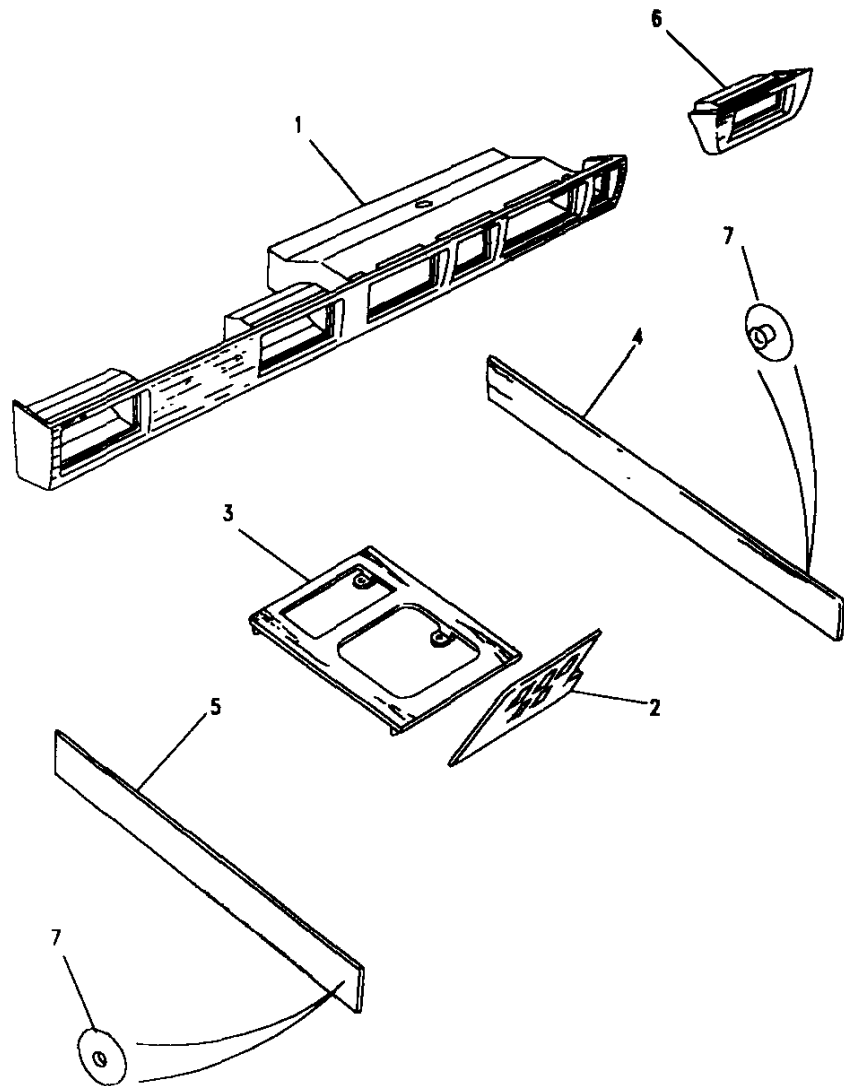
**Model** RANGE ROVER 1992 onwards  
**Page** BDPXCE2A

**TRIM - PARCEL SHELF.**



III. Part No.	Description	Qty	Remarks
1	MUC8958RUN	1	RHS
	MUC8959RUN	1	LHS
2	MUC4138RUN	1	
3	AFU3002	1	
4	AK608141L	1	
5	SE105165L	3	
6	WA105001L	3	
7	NM105011	3	
8	AB612044	3	
9	WC701124	3	
10	AK612014	3	

Note(1) COLOUR CODE. RUN - Bokhara.



**Model** RANGE ROVER 1992 onwards  
**Page** BDPXCG1A

**TRIM - WOOD TRIM - BURR WALNUT- Up To MA647845.**

III. Part No.	Description	Qty	Remarks
1 BTR3476	Facia Rail	1	LHS
BTR3477	Facia Rail	1	RHS
2 MXC7784	Switch plate	1	RHS
MXC7785	Switch plate	1	LHS
3 BTR2289	Console panel	1	Manual
BTR2290	Console panel	1	Automatic
BTR2292	Clip panel retainer	5	
4 MXC4843	Wood capping front RH	1	)
MXC4844	Wood capping front LH	1	)Note(1)
BTR5456	Wood capping front RH	1	)
BTR5457	Wood capping front LH	1	)Note(2)
5 MXC4845	Wood capping rear RH	1	)
MXC4846	Wood capping rear LH	1	)Note(1)
BTR5458	Wood capping rear RH	1	)
BTR5459	Wood capping rear LH	1	)Note(2)
6 BTR1187	Bezel facia rail	1	LHS
BTR1188	Bezel facia rail	1	RHS
7 RTC6798	Retainer door capping	12	Note(3)

Note(1)

Up to JA624755

Note(2)

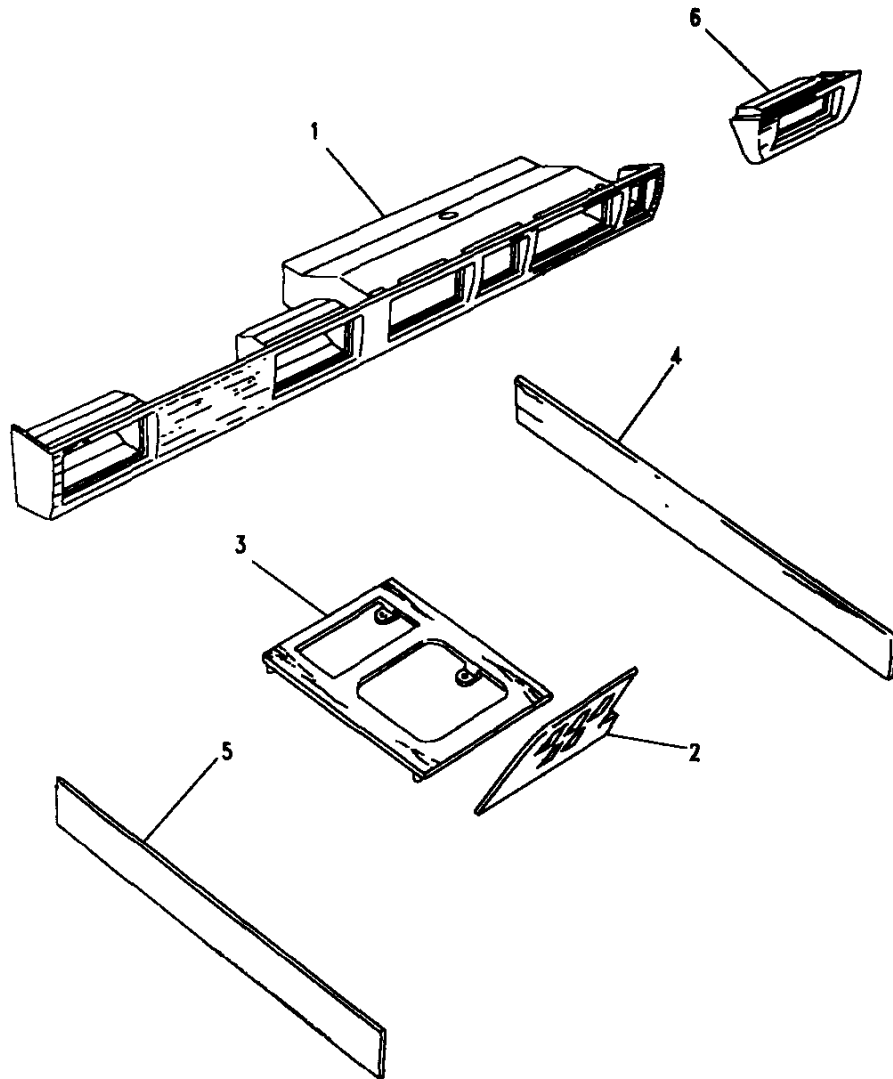
From KA624756

Note(3)

Only fitted up to JA624755

Note(4)

No guarantee is given that the grain pattern or colour of the above parts will match the veneer on the vehicle

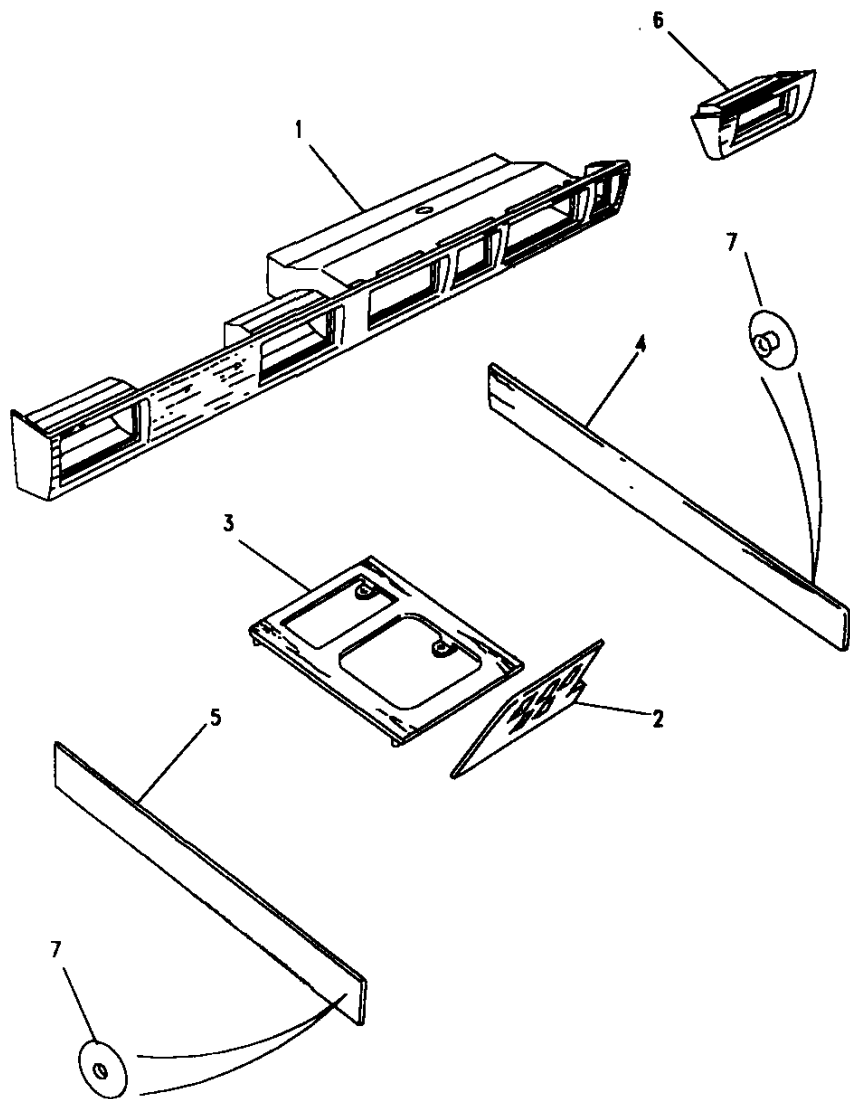


**Model** RANGE ROVER 1992 onwards  
**Page** BDPXCG2A

**WOOD TRIM - BURR WALNUT - 108" LWB Up To MA647645.**

Ill. Part No.	Description	Qty	Remarks
1	BTR3476	1	LHS
	BTR3477	1	RHS
2	MXC7784	1	RHS
	MXC7785	1	LHS
3	BTR2290	1	
	BTR2292	5	
4	BTR5456	1	
	BTR5457	1	
5	BTR8532	1	
	BTR8531	1	
6	BTR1187	1	LHS
	BTR1188	1	RHS

Note(1) No guarantee is given that the grain pattern or colour of the above parts will match the veneer on the vehicle

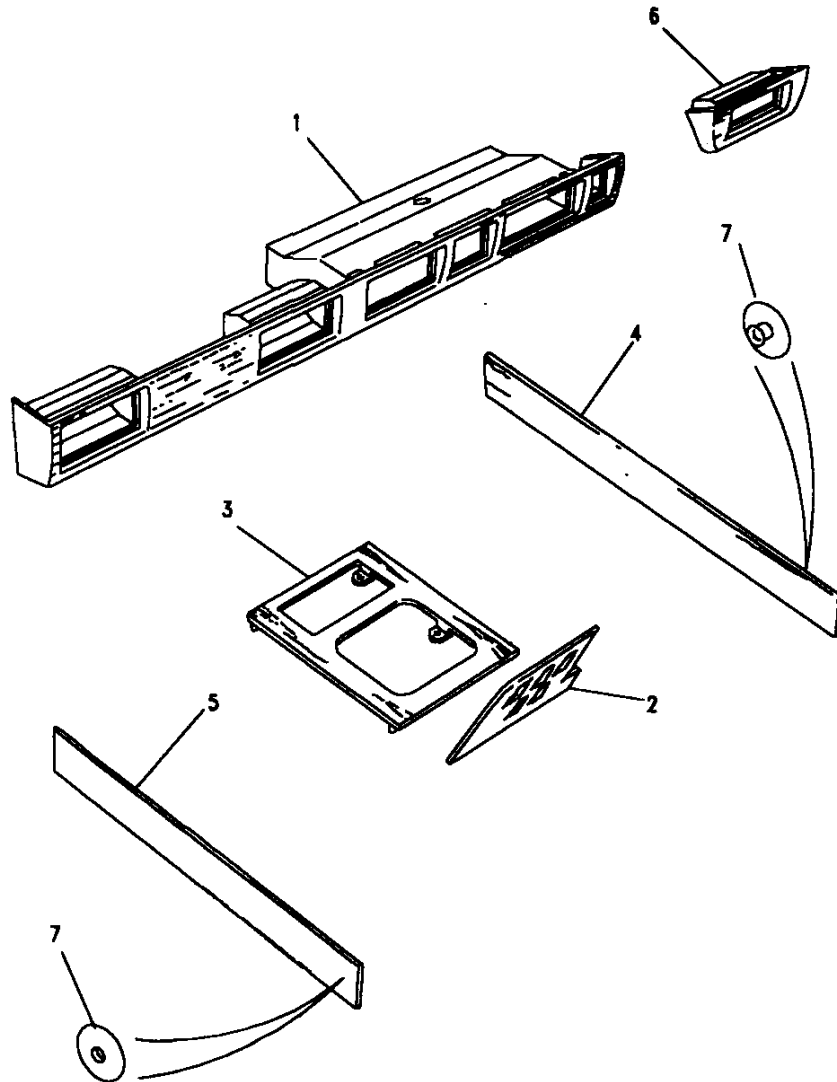


**Model** RANGE ROVER 1992 onwards  
**Page** BDPXCG1A

**TRIM - WOOD TRIM - AMERICAN WALNUT.**

III. Part No.	Description	Qty	Remarks
<b>LHS only</b>			
1 BTR3478	Facia rail	1	
2 BTR620	Switch panel	1	
3 BTR2291	Facia panel - console	1	Automatic
BTR2481	Facia panel - console	1	Manual
BTR2292	Clip panel retainer	5	
4 MXC4848	Front door trim - RH	1	)
MXC4849	Front door trim - LH	1	)Note(1)
BTR5465	Front door trim - RH	1	)
BTR5466	Front door trim - LH	1	)Note(2)
5 MXC4850	Rear door trim - RH	1	)
MXC4851	Rear door trim - LH	1	)Note(1)
BTR5467	Rear door trim - RH	1	)
BTR5468	Rear door trim - LH	1	)Note(2)
6 BTR1201	Bezel facia rail	1	
7 RTC6798	Retainer	6	Note(3)

Note(1) Up to JA624755  
 Note(2) From KA624756  
 Note(3) Only fitted up to JA624755



**Model** RANGE ROVER 1992 onwards  
**Page** BDPXCG1A

**TRIM - WOOD TRIM - AMERICAN WALNUT**

**III. Part No.**

**Description**

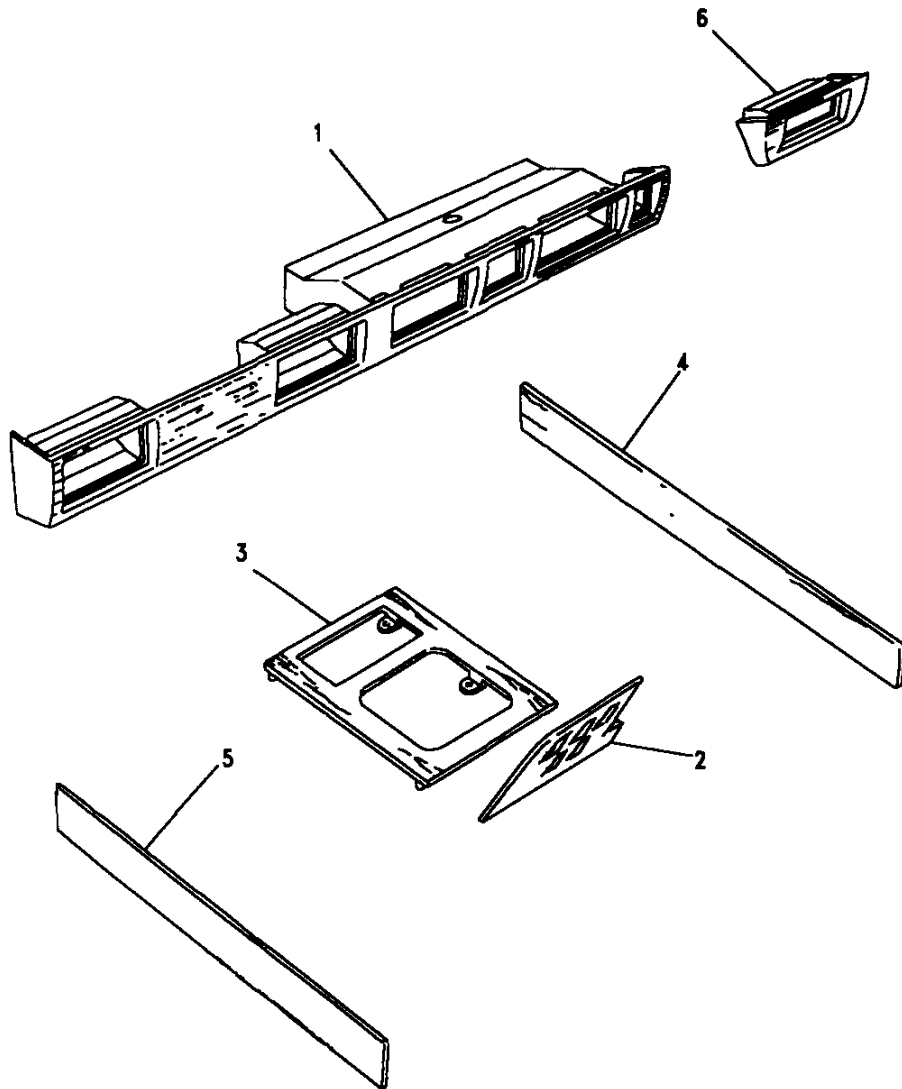
**Qty Remarks**

**RHS only**

1	BTR5593	Facia rail	1	
2	BTR5591	Switch panel	1	
3	BTR2291	Facia panel - console	1	Automatic
	BTR2481	Facia panel - console	1	Manual
	BTR2292	Clip panel retainer	5	
4	MXC4848	Front door trim - RH	1	)
	MXC4849	Front door trim - LH	1	)Note(1)
	BTR5465	Front door trim - RH	1	)
	BTR5466	Front door trim - LH	1	)Note(2)
5	MXC4850	Rear door trim - RH	1	)
	MXC4851	Rear door trim - LH	1	)Note(1)
	BTR5467	Rear door trim - LH	1	)
	BTR9465	Rear door trim - LH	1	MA647645 ON
	BTR5468	Rear door trim - RH	1	)Note(2)
	BTR9466	Rear door trim - RH	1	MA647645 ON
6	BTR5592	Bezel facia rail	1	
7	RTC6798	Retainer	6	Note(3)

Note(1)  
 Note(2)  
 Note(3)  
 Note(4)

Up to JA624755  
 From KA624756  
 Only fitted up to JA624755  
 No guarantee is given that the grain pattern or colour of the above parts will match the veneer on the vehicle



**Model** RANGE ROVER 1992 onwards  
**Page** BDPXCG2A

**TRIM - WOOD TRIM - ITALIAN POPLAR - LSE - Up To MA647645.**

III. Part No.	Description	Qty	Remarks
<b>RHS only</b>			
1 BTR6342	Facia rail	1	
2 BTR1900	Switch panel	1	
3 BTR1906	Facia panel - console	1	
BTR2292	Clip panel retainer	5	
4 BTR5472	Front door trim RH	1	
BTR5473	Front door trim LH	1	
5 BTR6344	Rear door trim RH	1	
BTR6343	Rear door trim LH	1	
6 BTR1898	Bezel facia rail	1	
<b>LHS only</b>			
1 BTR6341	Facia rail	1	
2 BTR1901	Switch panel	1	
3 BTR1906	Facia panel - console	1	
BTR2292	Clip panel retainer	5	
4 BTR5472	Front door trim RH	1	
BTR5473	Front door trim LH	1	
5 BTR6344	Rear door trim RH	1	
BTR6343	Rear door trim LH	1	
6 BTR1899	Bezel facia rail	1	

Note(1) No guarantee is given that the grain pattern or colour of the above parts will match the veneer on the vehicle

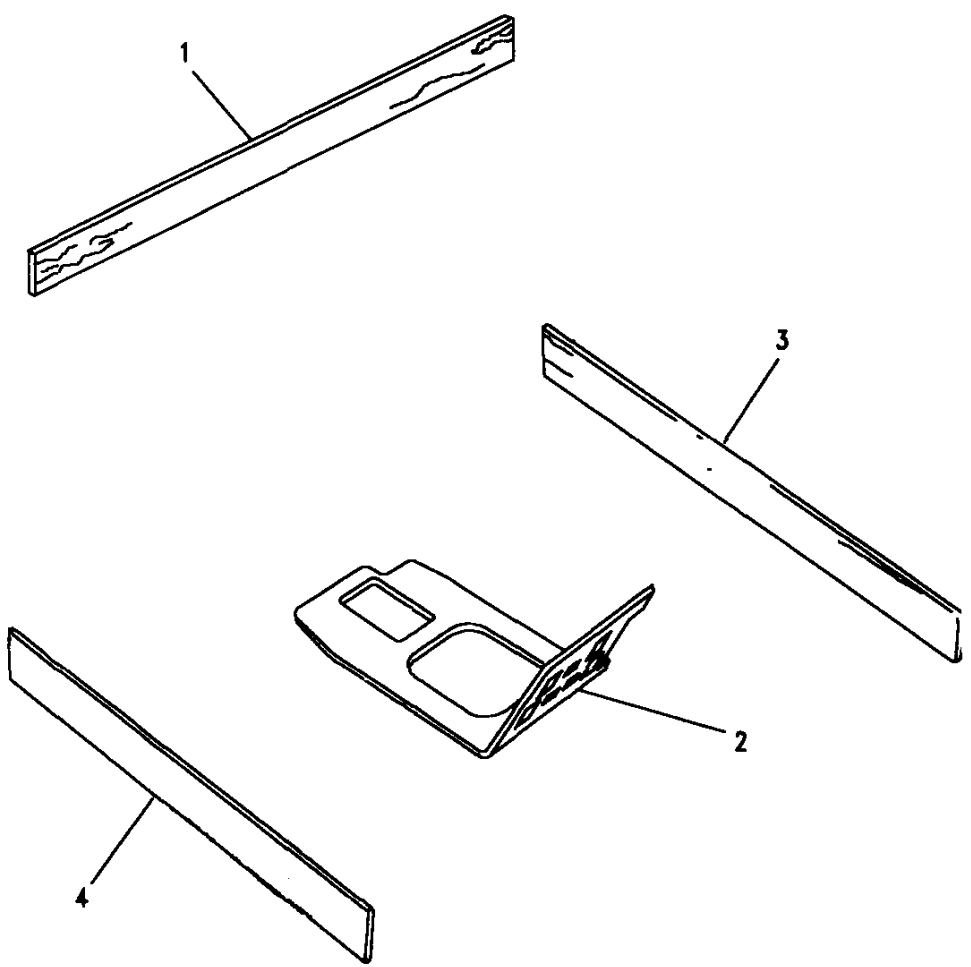
**Model** RANGE ROVER 1992 onwards  
**Page** BDPXCG3A

**TRIM - WOOD TRIM - BURR WALNUT - 108" MA647645 on.**

III. Part No.	Description	Qty	Remarks
1 BTR4349	Facia rail	1	
2 BTR9536	Panel - RHD Auto	1	
BTR9537	Panel - LHD Auto	1	
3 BTR9474	Front door trim - RH	1	
BTR9475	Front door trim - LH	1	
4 BTR9472	Rear door trim - RH	1	
BTR9473	Rear door trim - LH	1	
5 BTR9527	Clip facia rail	4	
6 BTR9530	Clip gaiter to console	8	

**WOOD TRIM - WOOD KITS MA647645 on.**

BTR8757	Kit wood trim LHD	1	Auto
BTR8756	Kit wood trim RHD	1	Auto
<b>New Zealand &amp; Australia</b>			
AWR1220	Kit wood trim RHD	1	Auto
<b>Gulf Spec.</b>			
AWR1221	Kit wood trim LHD	1	Auto





Model RANGE ROVER 1992 onwards

Page BDPXCG3A

TRIM - WOOD TRIM - FIGURED WALNUT MA647645 on.

III. Part No.	Description	Qty	Remarks
1 BTR9467	Facia rail	1	
2 BTR9532	Panel - RHD Auto	1	
BTR9533	Panel - LHD Auto	1	
BTR9534	Panel - RHD Man	1	
BTR9535	Panel - LHD Man	1	
3 BTR9464	Front door trim - RH	1	
BTR9463	Front door trim - LH	1	
4 BTR9466	Rear door trim - RH	1	
BTR9465	Rear door trim - LH	1	
5 BTR9527	Clip facia rail	4	
6 BTR9530	Clip gaiter to console	8	

WOOD TRIM - WOOD KITS MA647645 on 100".

BTR8752	Kit wood trim RHD	1	Auto
BTR8753	Kit wood trim LHD	1	Auto
BTR8754	Kit wood trim RHD	1	Man
BTR8755	Kit wood trim LHD	1	Man

New Zealand & Australia.

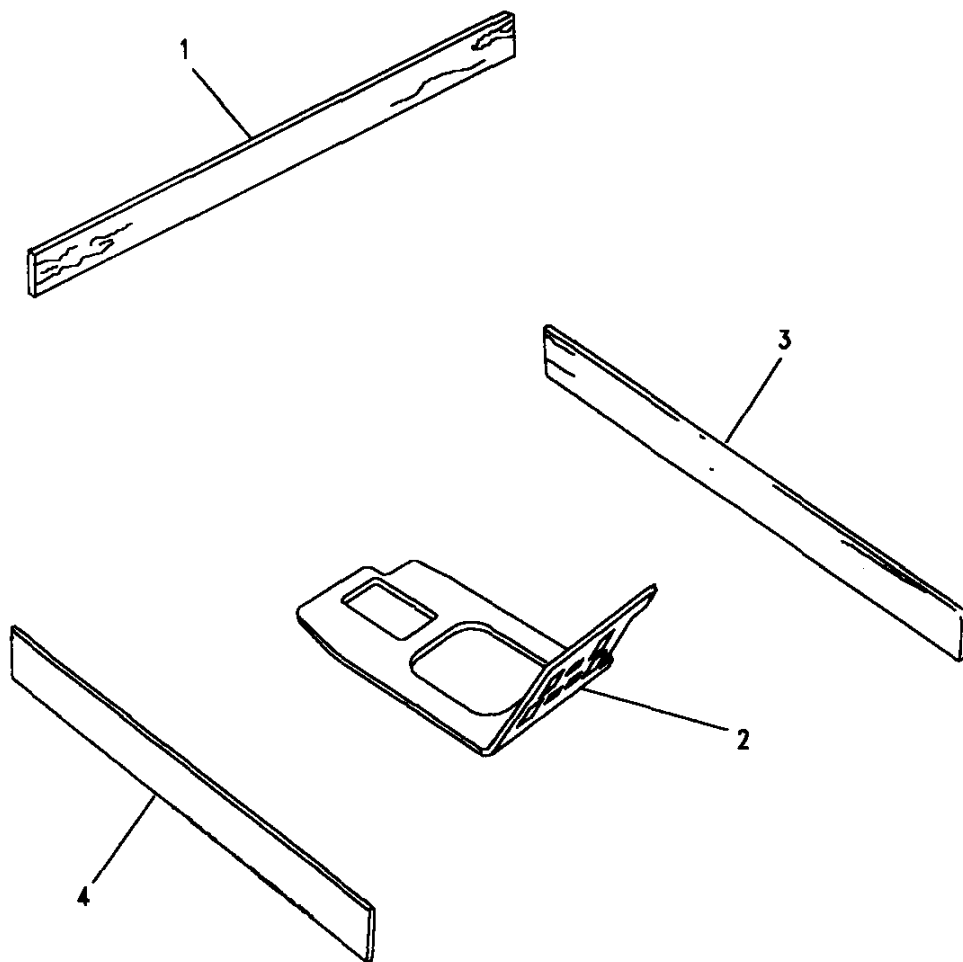
AWR1218	Kit wood trim RHD	1	Auto
---------	-------------------	---	------

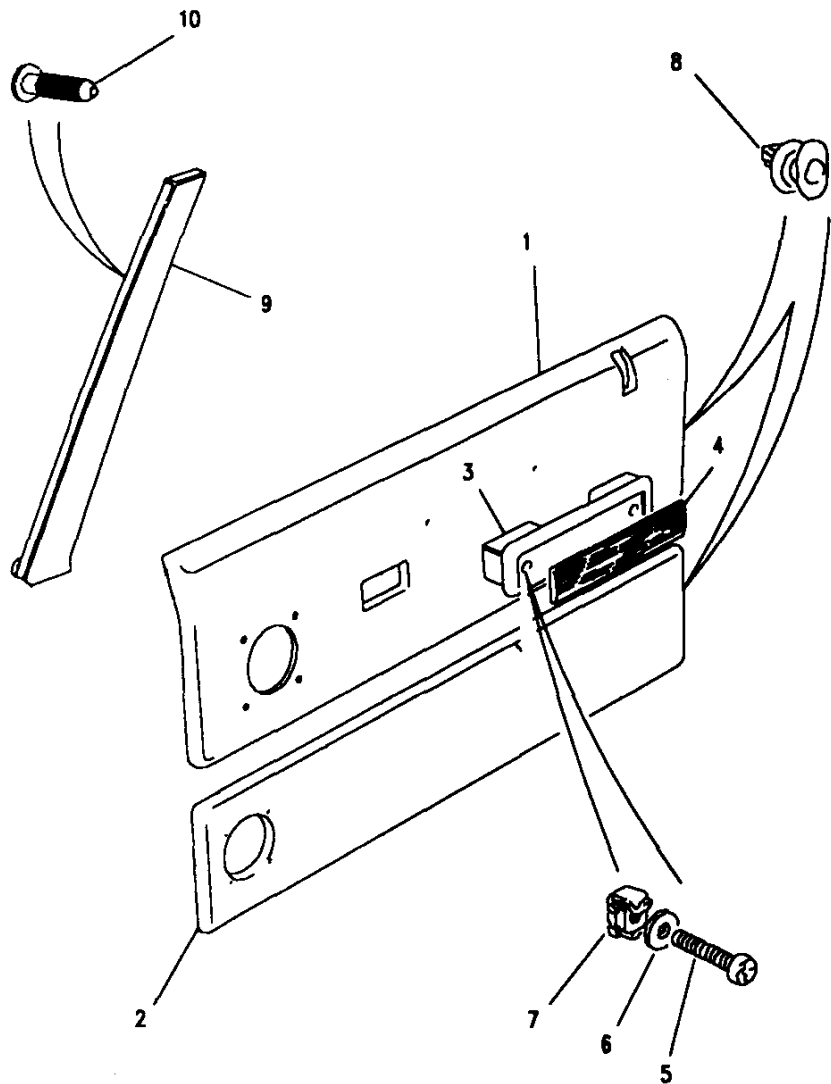
Gulf Spec.

AWR1219	Kit wood trim LHD	1	Auto
---------	-------------------	---	------

Wood kit door cappings and facia rail

BTR8751	Kit wood trim	1	
---------	---------------	---	--



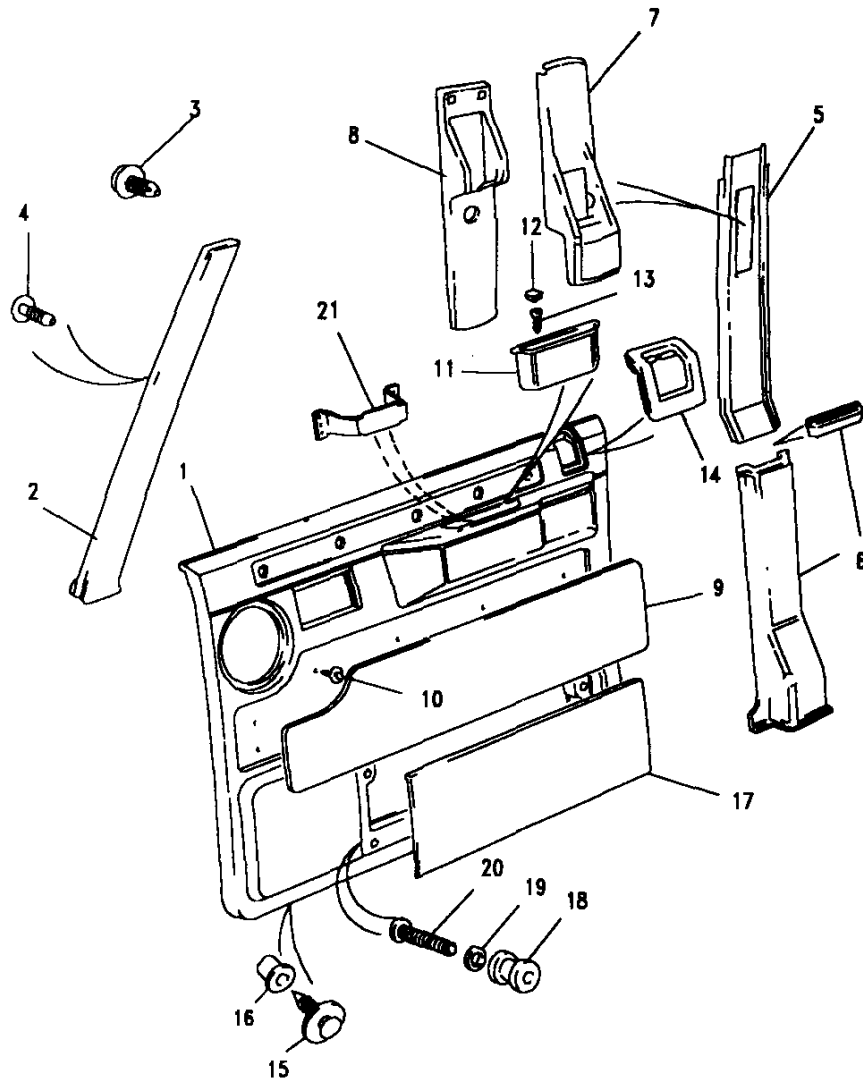


**Model** RANGE ROVER 1992 onwards  
**Page** BDPXEA1A

**TRIM - FRONT DOOR TRIM - 2 DOOR.**

III. Part No.	Description	Qty	Remarks
1	MXC2958SUA	1	Casing door upper RH
	MXC2959SUA	1	Casing door upper LH
2	MXC2050SUA	1	Casing door lower RH
	MXC2051SUA	1	Casing door lower LH
3	MUC2208SUA	2	Armrest
4	MTC7288SUA	2	Insert door pull
5	SE105301L	4	Screw
6	WC105001L	4	Washer plain
7	NK106067L	2	Insert
8	MRC7399	A/R	Clip
9	BTR399RUN	1	Finisher A post LH
	BTR400RUN	1	Finisher A post RH
10	MUC3186	6	Clip

Note(1) COLOUR CODE RUN - Bokhara, SUA - Sorrell brown.



**Model** RANGE ROVER 1992 onwards  
**Page** BDPXEA2A

**TRIM - FRONT DOOR TRIM - 4 DOOR Up To MA647644.**

**III. Part No. Description Qty Remarks**

**Basic**

1	MXC3037LUL	Casing front door LH	1
	MXC3037SUA	Casing front door LH	1
	MXC3038LUL	Casing front door RH	1
	MXC3038SUA	Casing front door RH	1

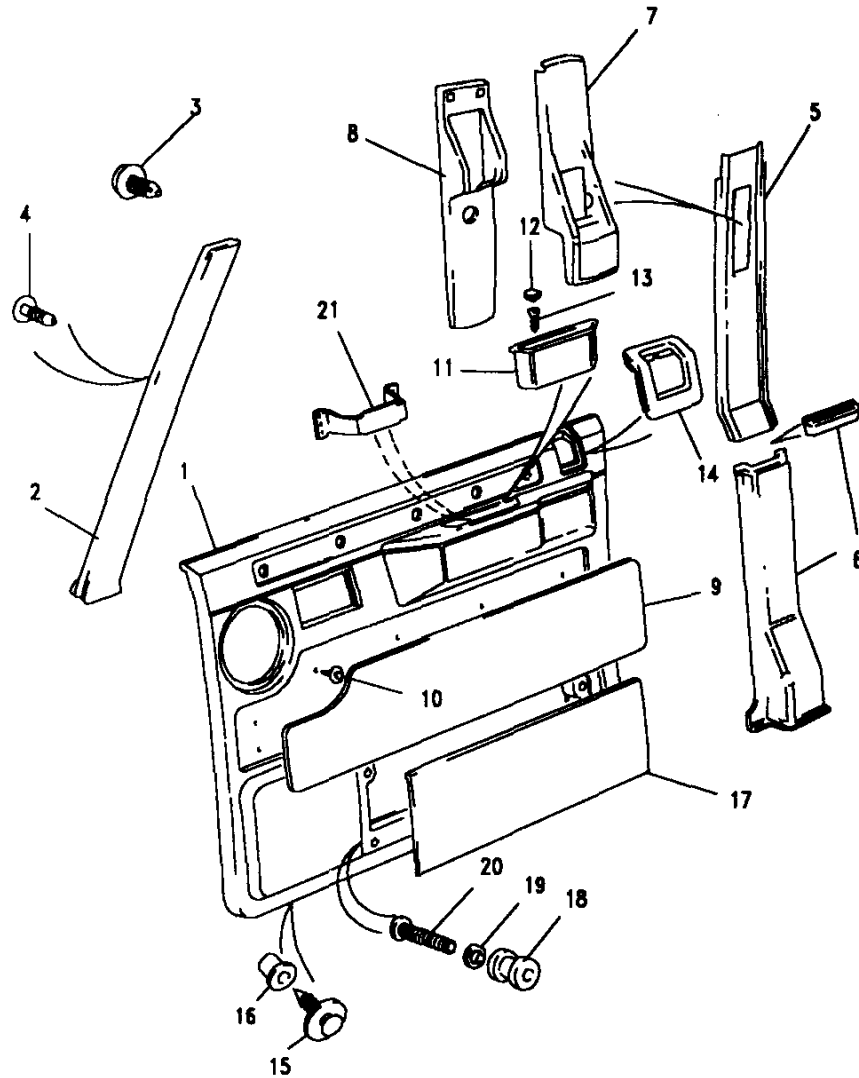
**Vogue up to JA624755.**

1	MXC3035LUL	Casing front door LH	1
	MXC3035SUA	Casing front door LH	1
	MXC3036LUL	Casing front door RH	1
	MXC3036SUA	Casing front door RH	1

**Vogue From KA624756.**

1	BTR5417LUL	Casing front door LH	1
	BTR5417RWD	Casing front door LH	1
	BTR5417SUA	Casing front door LH	1
	BTR5416LUL	Casing front door RH	1
	BTR5416RWD	Casing front door RH	1
	BTR5416SUA	Casing front door RH	1

- Note(1) Basic casings have no wood trim
- Note(2) Vogue casings have wood trim
- Note(3) COLOUR CODE. LUL - Winchester grey, SUA - Sorrell brown.
- Note(4) For wood cappings see BDPXCG.

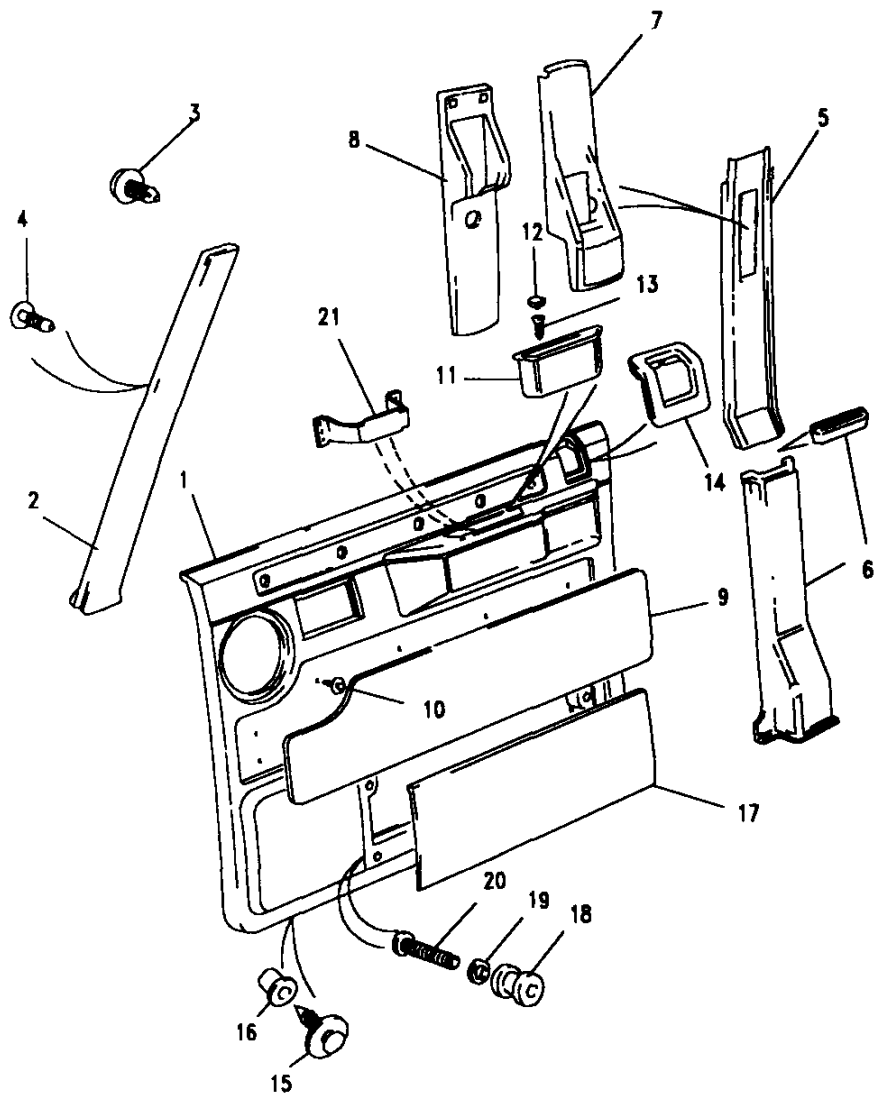


**Model** RANGE ROVER 1992 onwards  
**Page** BDPXEA2A

**TRIM - FRONT DOOR TRIM - 4 DOOR Up To MA647644.**

III. Part No.	Description	Qty	Remarks
<b>Vogue SE up to JA624755.</b>			
1	MXC3377LUL	1	Casing front door LH
	MXC3377SUA	1	Casing front door LH
	MXC3378LUL	1	Casing front door RH
	MXC3378SUA	1	Casing front door RH
<b>Vogue SE From KA624756 One speaker.</b>			
1	BTR5417LUL	1	Casing front door LH
	BTR5417RWD	1	Casing front door LH
	BTR5417SUA	1	Casing front door LH
	BTR5416LUL	1	Casing front door RH
	BTR5416RWD	1	Casing front door RH
	BTR5416SUA	1	Casing front door RH
<b>Vogue SE From KA24756 Two speakers.</b>			
	BTR5603LUL	1	Casing front door LH
	BTR5603SUA	1	Casing front door LH
	BTR5603RWD	1	Casing front door LH
	BTR5604LUL	1	Casing front door RH
	BTR5604SUA	1	Casing front door RH
	BTR5604RWD	1	Casing front door RH

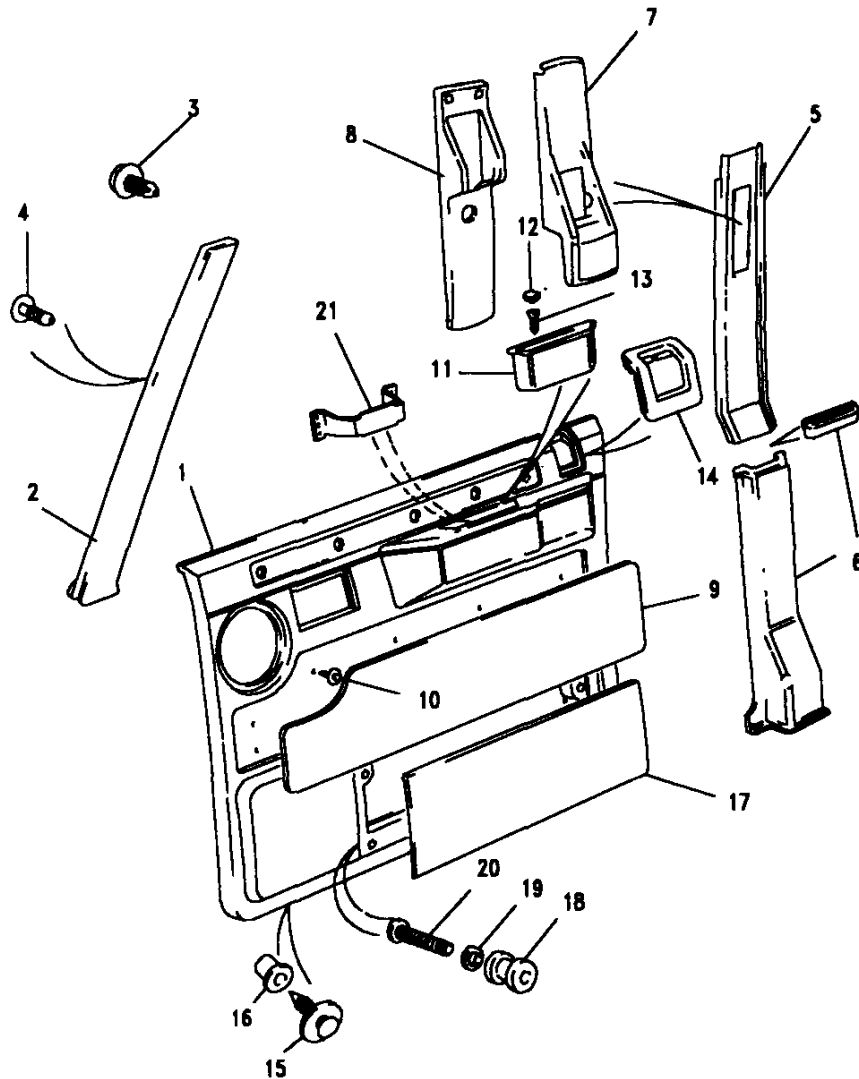
- Note(1) Basic casings have no wood trim  
 Note(2) Vogue casings have wood trim  
 Note(3) COLOUR CODE. LUL - Winchester grey, SUA - Sorrell brown, RWD - Sable, AUK - Tan.  
 Note(4) For wood cappings see BDPXCG.



**Model** RANGE ROVER 1992 onwards  
**Page** BDPXEA2A

**TRIM - FRONT DOOR TRIM - 4 DOOR Up To MA647644.**

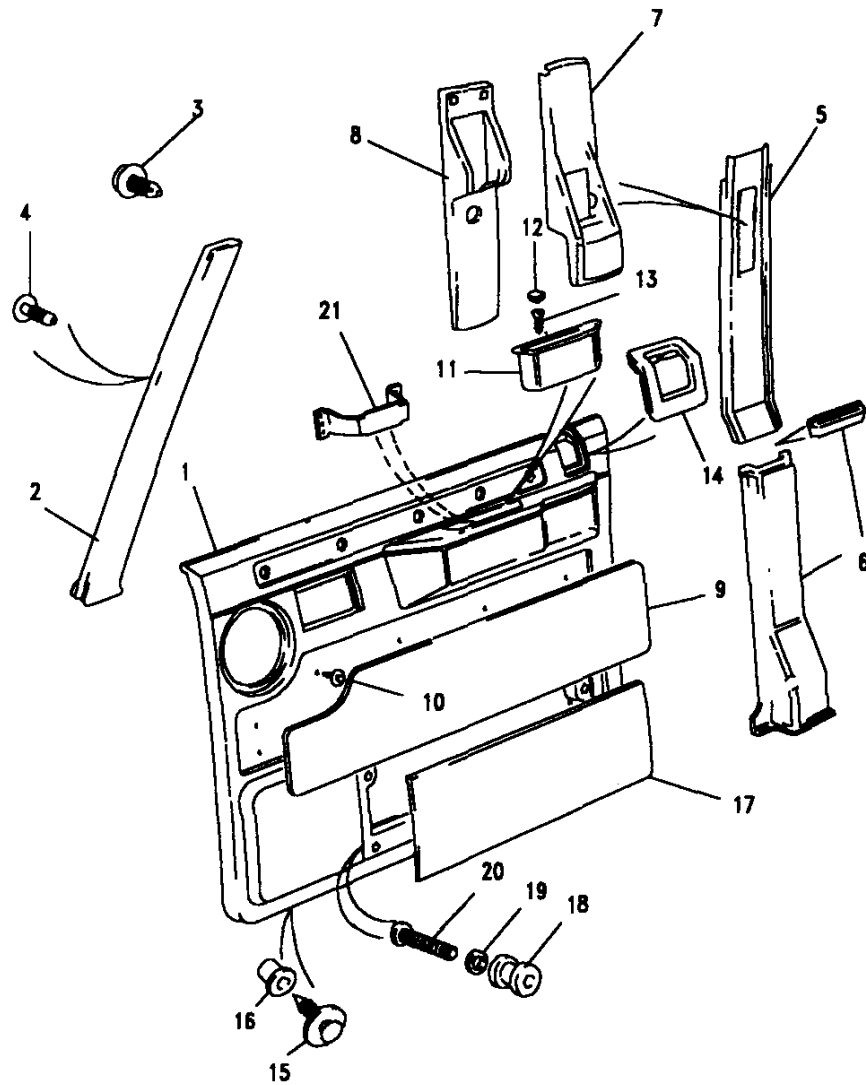
III. Part No.	Description	Qty	Remarks
<b>LSE One speaker.</b>			
1	BTR5417LUL	1	Casing front door LH
	BTR5417RWD	1	Casing front door LH
	BTR5417SUA	1	Casing front door LH
	BTR5416LUL	1	Casing front door RH
	BTR5416RWD	1	Casing front door RH
	BTR5416SUA	1	Casing front door RH
<b>LSE Two speakers.</b>			
1	BTR5604AUK	1	Casing front door RH
	BTR5604RWD	1	Casing front door RH
	BTR5604SUA	1	Casing front door RH
	BTR5603AUK	1	Casing front door LH
	BTR5603RWD	1	Casing front door LH
	BTR5603SUA	1	Casing front door LH



**Model** RANGE ROVER 1992 onwards  
**Page** BDPXEA2A

**TRIM - FRONT DOOR TRIM - 4 DOOR Up To MA647645.**

III. Part No.	Description	Qty	Remarks
<b>A Post - left hand side - with heated screen - non sunroof</b>			
2 BTR397RUN	Finisher A post	1	
<b>A Post - right hand side - with heated screen - non sunroof</b>			
2 BTR398RUN	Finisher A post	1	
<b>A Post - left hand side - with heated screen - with sunroof</b>			
2 BTR5285RUN	Finisher A post	1	
<b>A Post - right hand side - with heated screen - with sunroof</b>			
2 BTR5286RUN	Finisher A post	1	
<b>A Post - left hand side - unheated screen - non sunroof</b>			
2 BTR399RUN	Finisher A post	1	
<b>A Post - left hand side - unheated screen - with sunroof</b>			
2 BTR5287RUN	Finisher A post	1	
<b>A Post - right hand side - unheated screen - non sunroof</b>			
2 BTR400RUN	Finisher A post	1	
<b>A Post - right hand side - unheated screen - with sunroof</b>			
2 BTR5288RUN	Finisher A post	1	

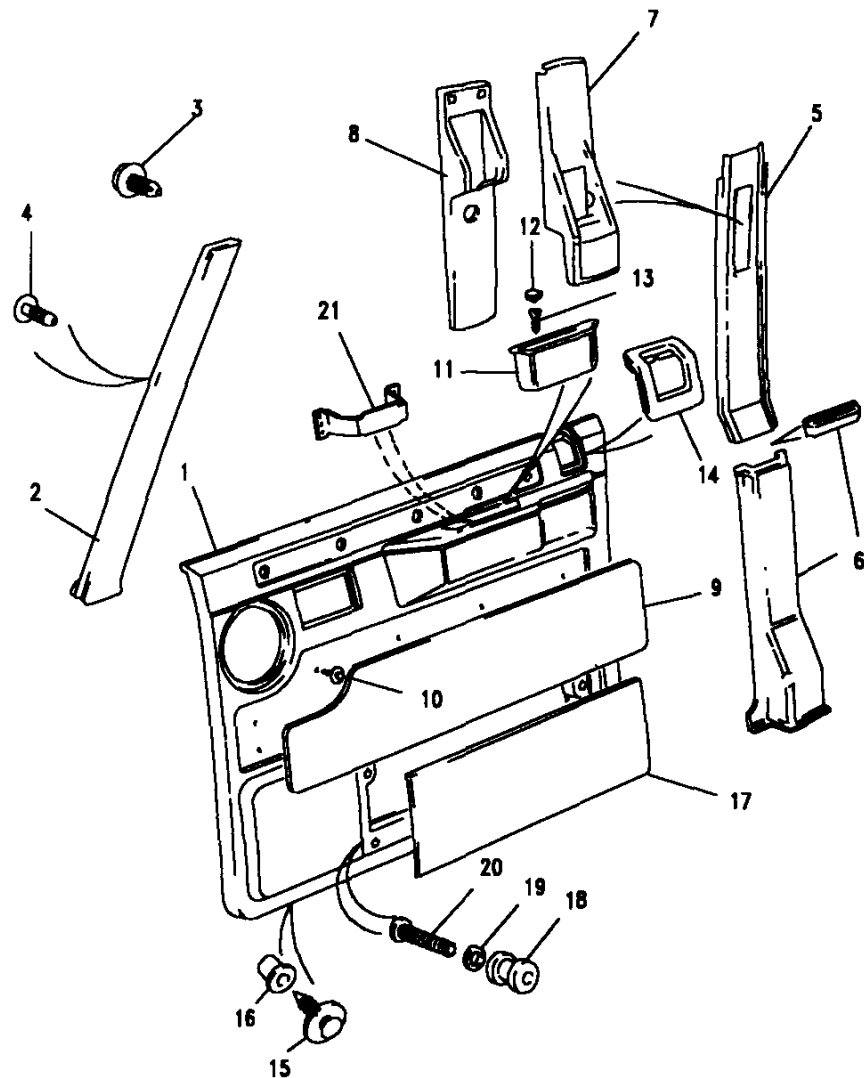


**Model** RANGE ROVER 1992 onwards  
**Page** BDPXEA2A

**TRIM - FRONT DOOR TRIM - 4 DOOR** Up To MA647645.

III. Part No.	Description	Qty	Remarks
<b>All variants</b>			
3	MUC3186	Clip	6
4	MRC4283LUL	Clip	4
	MRC4283SUA	Clip	4
	MRC4283RWD	Clip	4
	MRC4283AUK	Clip	4
<b>Upper BC post - up to JA624755</b>			
5	MWC8418SUA	Cover BC post RH	1
	MWC8418LUL	Cover BC post RH	1
	MWC8419SUA	Cover BC post LH	1
	MWC8419LUL	Cover BC post LH	1

Note(1) COLOUR CODE. RUN - Bokhara LUL - Winchester grey, SUA - Sorrell brown.



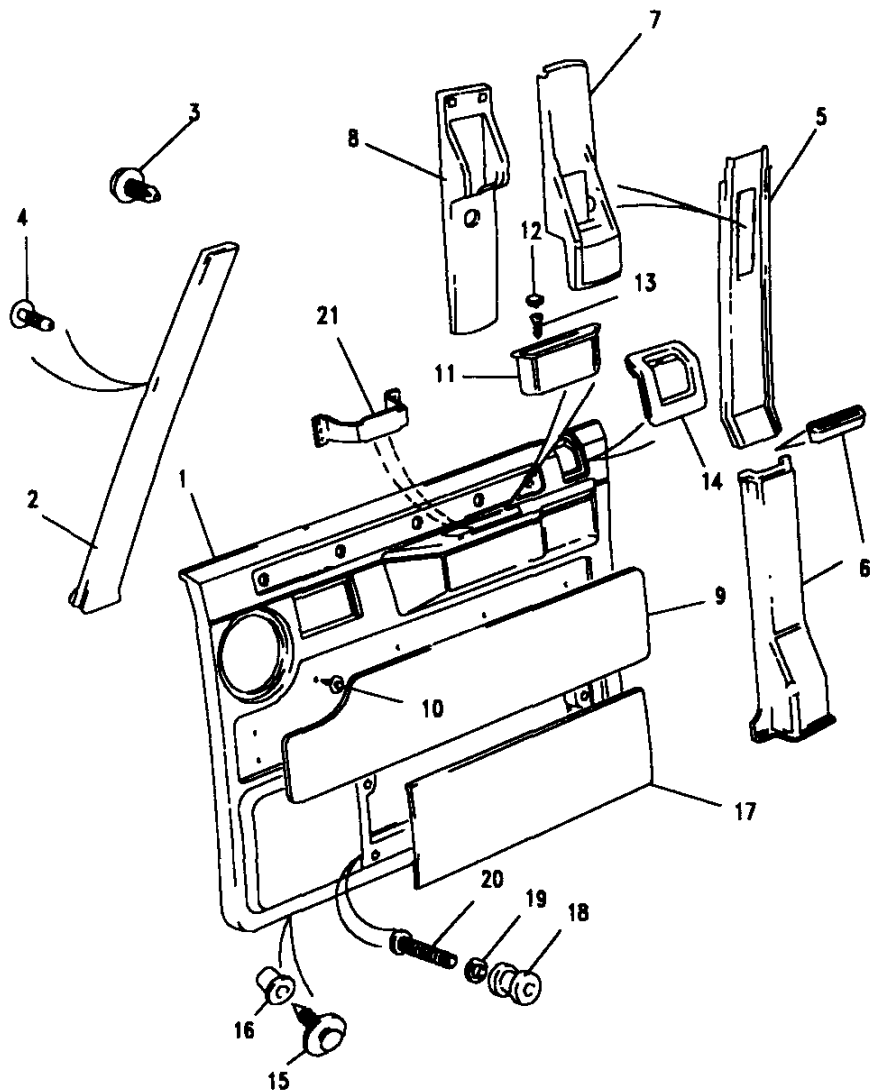
**Model** RANGE ROVER 1992 onwards  
**Page** BDPXEA2A

**TRIM - FRONT DOOR TRIM - 4 DOOR.**

III. Part No.	Description	Qty	Remarks
<b>Upper BC post - From KA624756</b>			
5	BTR4926RWD	1	Cover BC post RH
	BTR4926LUL	1	Cover BC post RH
	BTR4926SUA	1	Cover BC post RH
	BTR4926AUK	1	Cover BC post RH
	BTR4927RWD	1	Cover BC post LH
	BTR4927LUL	1	Cover BC post LH
	BTR4927SUA	1	Cover BC post LH
	BTR4927AUK	1	Cover BC post LH
<b>Upper BC post - LSE only</b>			
	BTR4927AUK	1	Cover BC post LH
	BTR4927RWD	1	Cover BC post LH
	BTR4926AUK	1	Cover BC post RH
	BTR4926RWD	1	Cover BC post RH

Note(1) COLOUR CODE. LUL - Winchester grey, SUA - Sorrell brown, RWD - Sable, AUK - Tan,



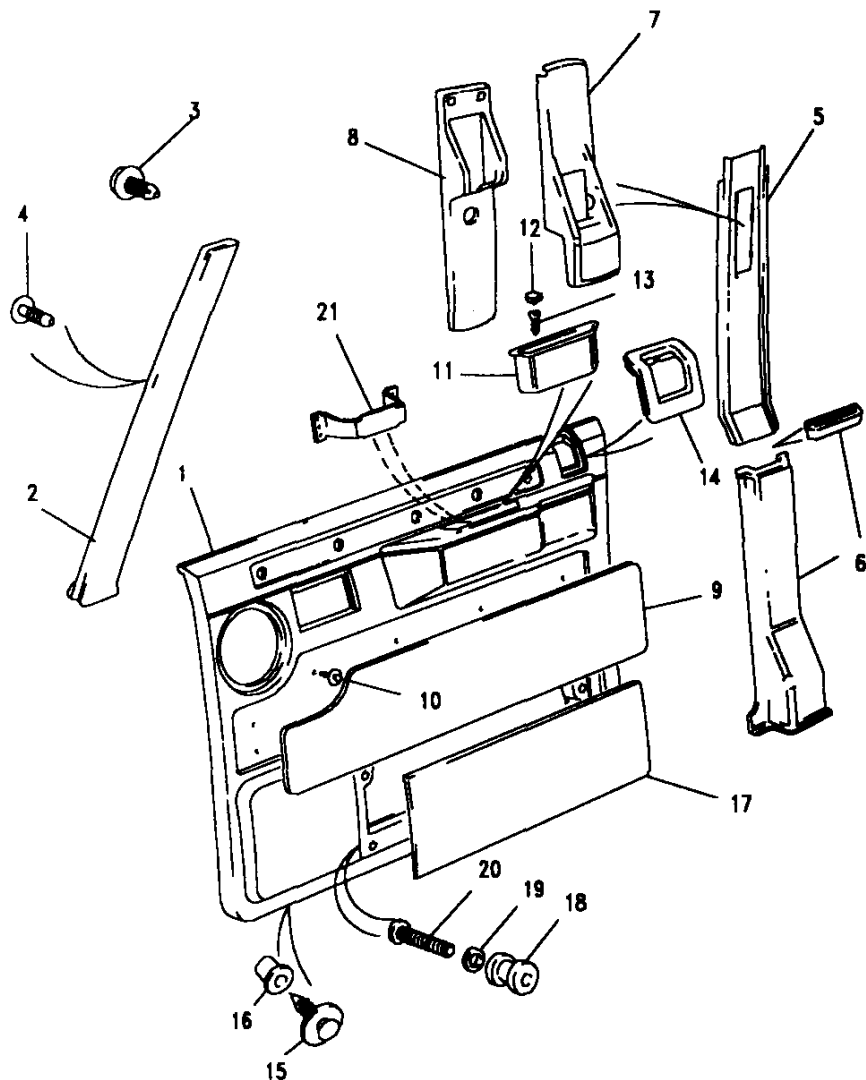


**Model** RANGE ROVER 1992 onwards  
**Page** BDPXE2A

**TRIM - FRONT DOOR TRIM - 4 DOOR** Up To MA647645.

III. Part No.	Description	Qty	Remarks
<b>Lower BC post - left hand side</b>			
6	BTR137LUL	1	)
	BTR137SUA	1	)Note(1)
	BTR137RWD	1	)
	BTR8561LUL	1	)
	BTR8561SUA	1	)Note(2)
	BTR8561RWD	1	)
<b>Lower BC post - left hand side - LSE only</b>			
6	BTR137AUK	1	)
	BTR137RWD	1	)Note(1)
	BTR137SUA	1	)
	BTR8561RWD	1	)
	BTR8561AUK	1	)Note(2)
	BTR8561SUA	1	)

Note(1) Up to KA639891  
 Note(2) From KA639892

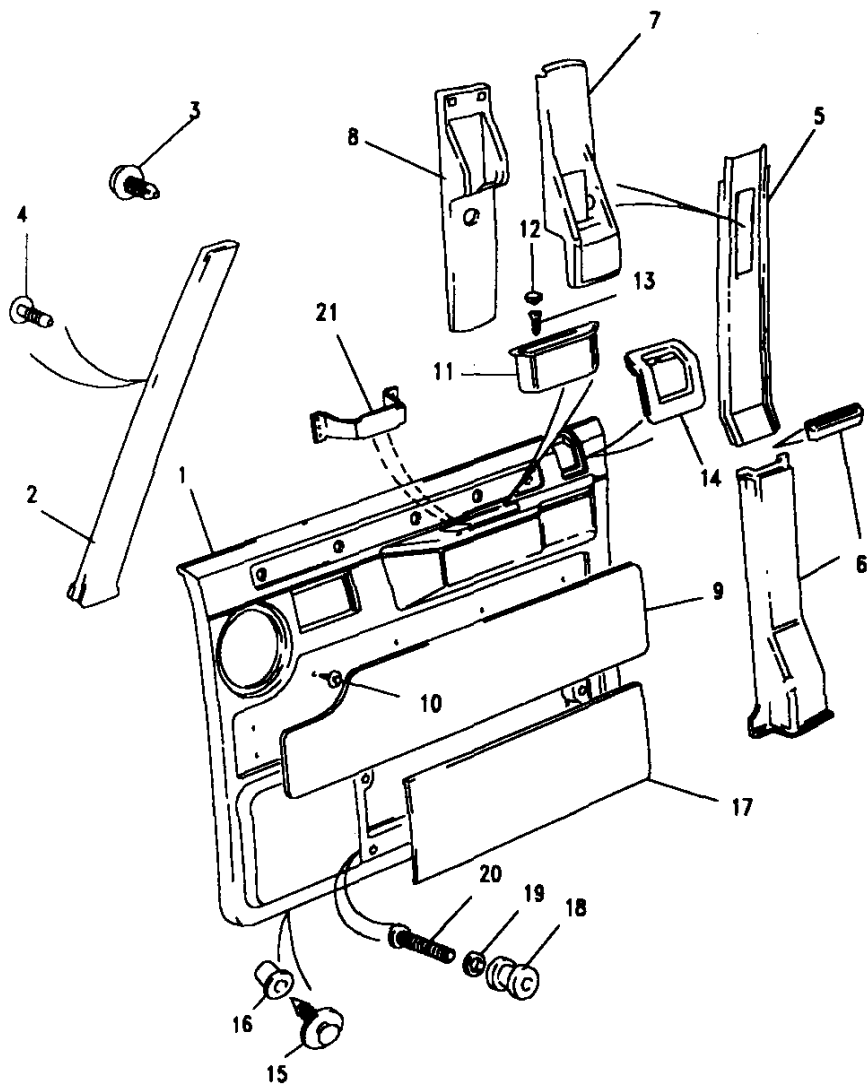


**Model** RANGE ROVER 1992 onwards  
**Page** BDPXEA2A

**TRIM - FRONT DOOR TRIM - 4 DOOR** Up To MA647645.

III. Part No.	Description	Qty	Remarks
<b>Lower BC post - right hand side</b>			
6 BTR138LUL	Cover BC post RH	1	)Note(1)
BTR138RWD	Cover BC post RH	1	
BTR138SUA	Cover BC post RH	1	
BTR8562SUA	Cover BC post RH	1	)Note(2)
BTR8562LUL	Cover BC post RH	1	
BTR8562RWD	Cover BC post RH	1	
<b>Lower BC post - Right hand side - LSE only</b>			
6 BTR138AUK	Cover BC post RH	1	)Note(1)
BTR138RWD	Cover BC post RH	1	
BTR138SUA	Cover BC post RH	1	
BTR8562SUA	Cover BC post RH	1	)Note(2)
BTR8562RWD	Cover BC post RH	1	
BTR8562AUK	Cover BC post RH	1	

Note(1) Up to KA639891  
 Note(2) From KA639892  
 Note(3) COLOUR CODE. LUL - Winchester grey, SUA - Sorrell brown, RWD - Sable, AUK - Tan, LNF - Ash grey, LOY - Dark granite.



**Model** RANGE ROVER 1992 onwards  
**Page** BDPXEA2A

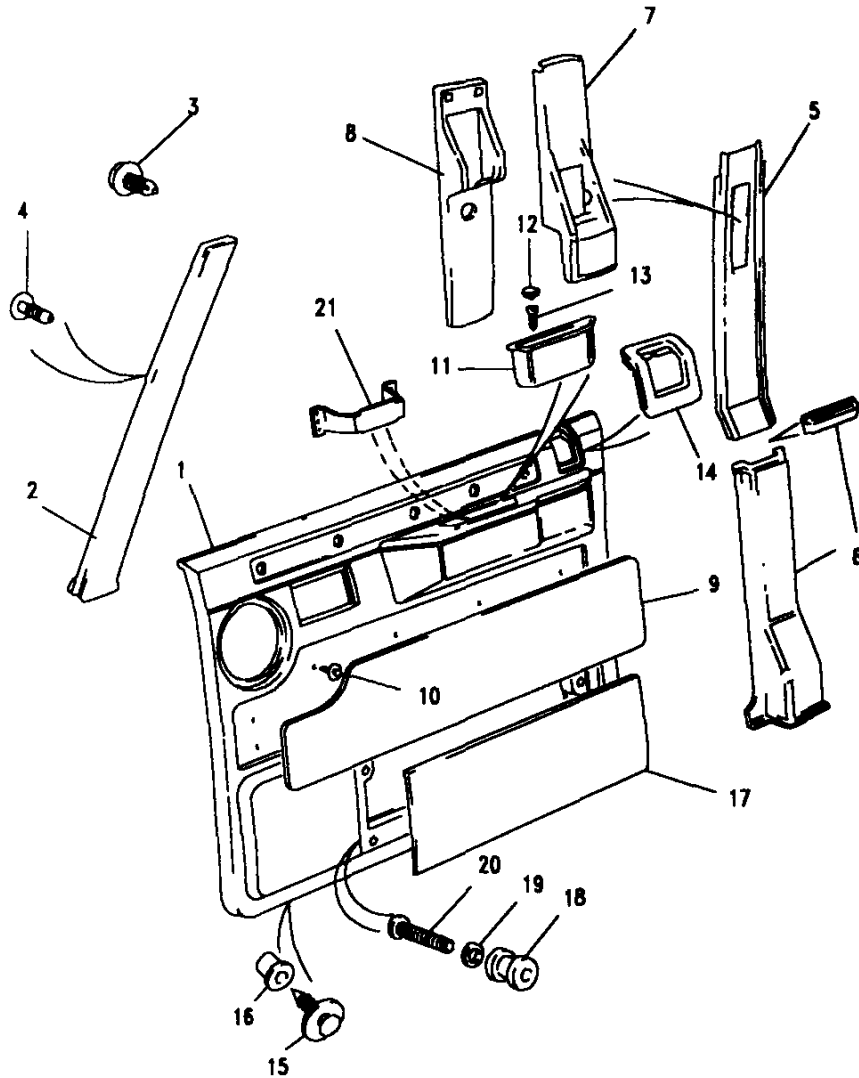
**TRIM - FRONT DOOR TRIM - 4 DOOR Up To MA647645.**

III. Part No.	Description	Qty	Remarks
<b>Upper seat belt moulding</b>			
7	MUC1612SUA	2	) Note(1)
	MUC1612LUL	2	
	BTR2121LUL	2	) Note(2)
	BTR2121RWD	2	
	RTC3764	4	
<b>Upper seat belt moulding - LSE only</b>			
	BTR2121AUK	2	
	BTR2121RWD	2	
	BTR2121SUA	2	
<b>Lower seat belt moulding</b>			
8	MUC1613SUA	2	
	MUC1613LUL	2	
<b>Cloth insert - right hand side</b>			
9	MXC1330AUE	1	
	MXC1330LUL	1	
	MXC1330RWD	1	
	MXC1330AUK	1	

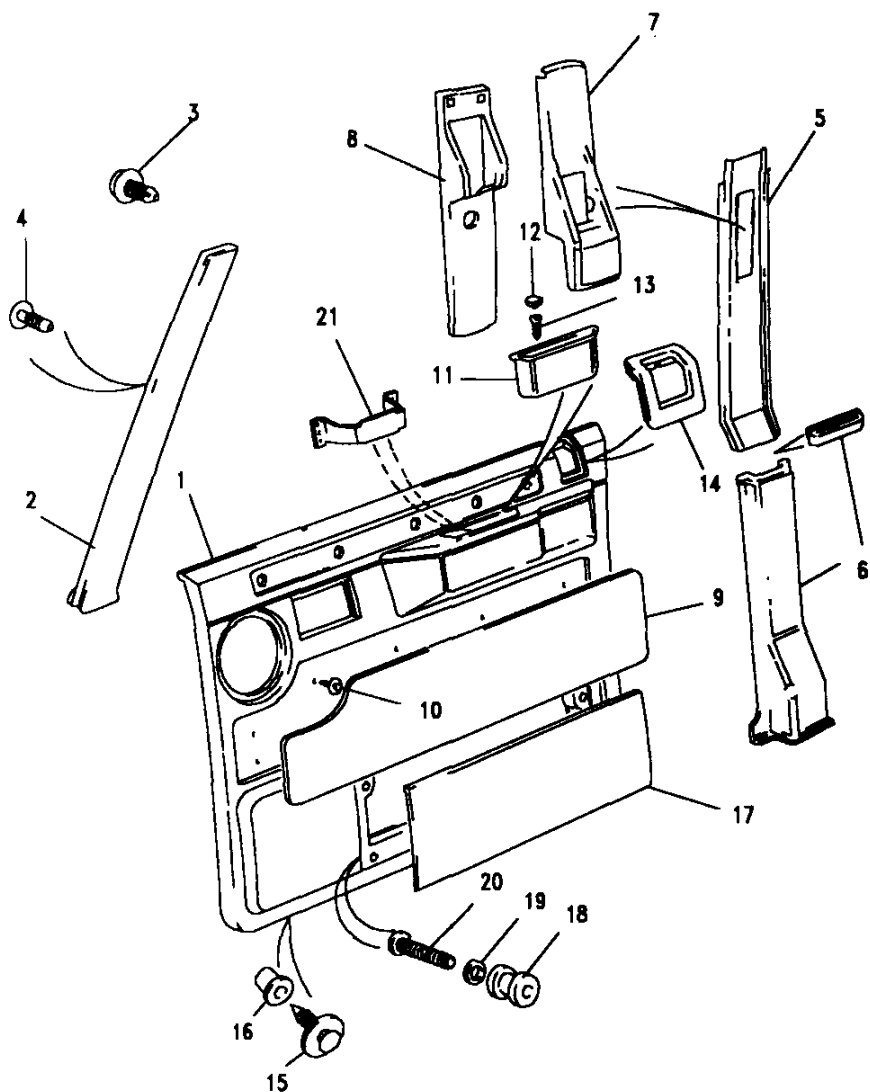
Note(1) Up to JA624755  
 Note(2) From KA624756

**Model** RANGE ROVER 1992 onwards  
**Page** BDPXE2A

**TRIM - FRONT DOOR TRIM - 4 DOOR Up To MA647645.**



Part No.	Description	Qty	Remarks
<b>Cloth insert - left hand side</b>			
9	MXC1331AUE	1	Insert cloth LH
	MXC1331LUL	1	Insert cloth LH
	MXC1331RWD	1	Insert cloth door casing
	MXC1331AUK	1	Insert cloth door casing
10	MRC4283LUL	2	Stud
	MRC4283SUA	2	Stud
	MRC4283RWD	2	Stud
	MRC4283AUK	2	Stud
11	MXC1306SUA	2	Door pull
	MXC1306LUL	2	Door pull
	MXC1306RWD	2	Door pull
	MXC1306AUK	2	Door pull
12	MXC1309SUA	4	Cover
	MXC1309LUL	4	Cover
	MXC1309RWD	4	Cover
	MXC1309AUK	4	Cover



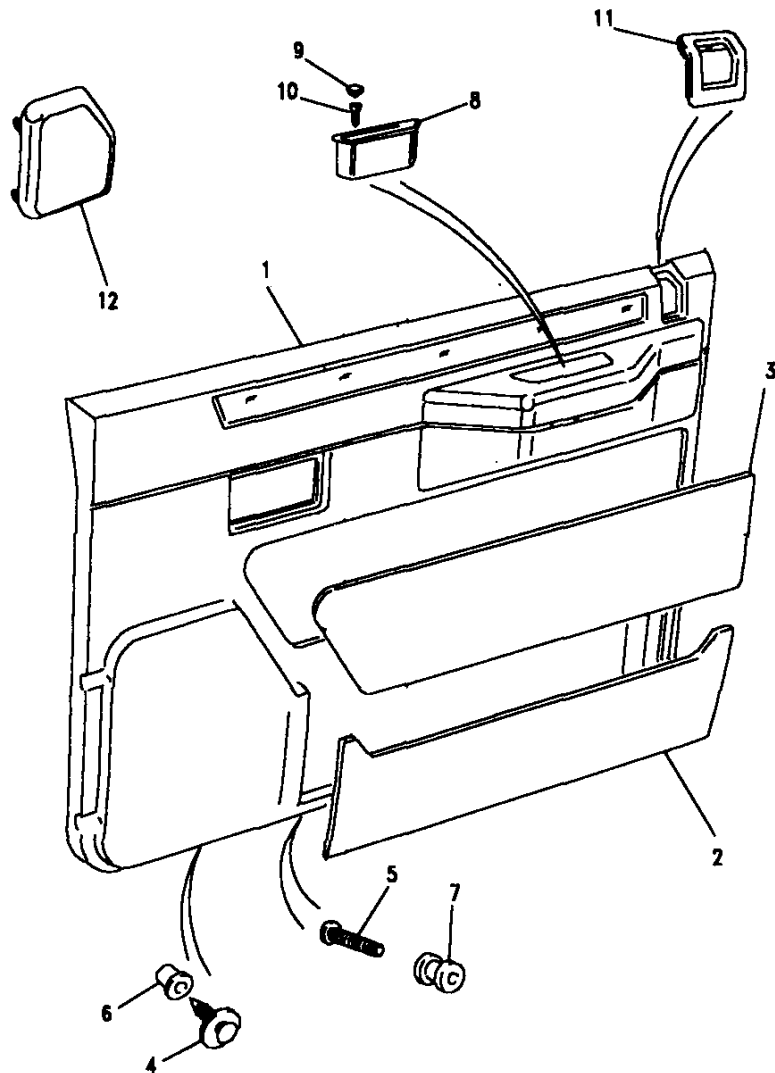
Model RANGE ROVER 1992 onwards

Page BDPXE2A

TRIM - FRONT DOOR TRIM - 4 DOOR up to MA647645

III. Part No.	Description	Qty	Remarks
13 AC610061L	Screw	4	
14 MXC4738RUN	Escutcheon	2	
15 MWC3129	Clip	22	
16 AJU1136L	Clip	22	
17 MXC1324SUA	Pocket door casing	2	
MXC1324LUL	Pocket door casing	2	
MXC1324RWD	Pocket door casing	2	
MXC1324AUK	Pocket door casing	2	
18 MXC1325	Spacer	12	
19 WA105001L	Washer plain	12	
20 ADU6780	Screw	12	
21 MXC8311	Bracket	2	

Note(1) COLOUR CODE. AUE - Brogue, LUL - Winchester grey, SUA - Sorrell brown, RWD - Sable, AUK - Tan,  
 Note(2) For wood cappings see = BDPXCG1A.



Model RANGE ROVER 1992 onwards

Page BDPXEA2B

TRIM - FRONT DOOR TRIM - 4 DOOR MA647645 On

III. Part No. Description Qty Remarks

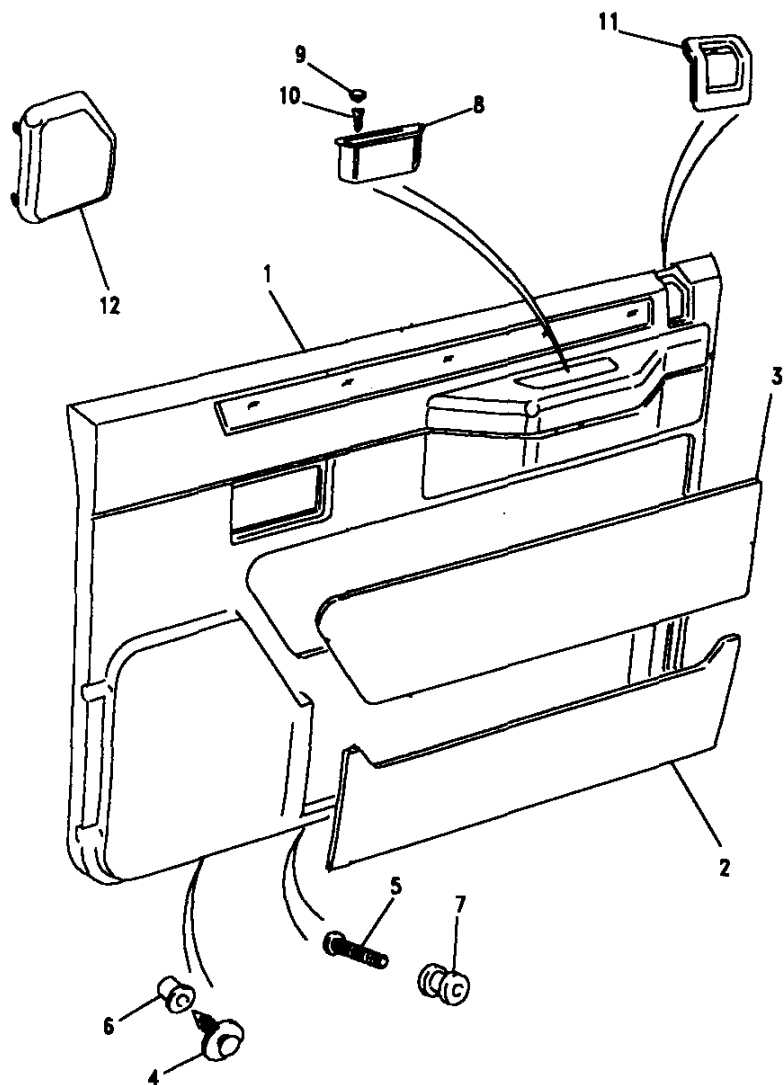
Basic.

1	BTR7742LOY	Casing front door RH	1
	BTR7742SUA	Casing front door RH	1
	BTR7743LOY	Casing front door LH	1
	BTR7743SUA	Casing front door LH	1

Hi Line.

1	BTR7740LNF	Casing front door RH	1
	BTR7740LOY	Casing front door RH	1
	BTR7740SUA	Casing front door RH	1
	BTR7741LNF	Casing front door LH	1
	BTR7741LOY	Casing front door LH	1
	BTR7741SUA	Casing front door LH	1
2	BTR4213LNF	Pocket door casing	2
	BTR4213LOY	Pocket door casing	2
	BTR4213SUA	Pocket door casing	2
3	BTR6156LNF	Insert cloth RH	1
	BTR6156LOY	Insert cloth RH	1
	BTR6156SUA	Insert cloth RH	1
	BTR6157SUA	Insert cloth LH	1
	BTR6157LOY	Insert cloth LH	1
	BTR6157LNF	Insert cloth LH	1
4	MWC3129	Fir tree clip	22
5	ADU6780	Screw	6
6	AJU1136L	Clip	22
7	MXC1325	Spacer	6

Note(1) Colour Code LNF-Ash grey LOY-Dark granite SUA-Sorrell brown



**Model** RANGE ROVER 1992 onwards  
**Page** BDPXEA2B

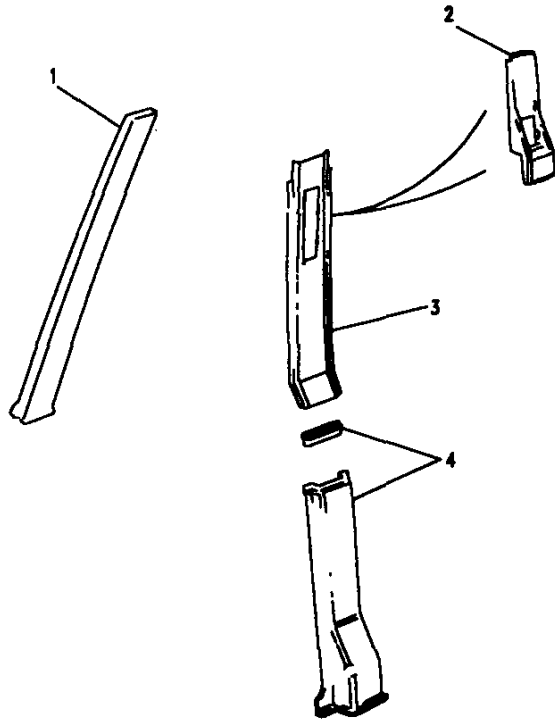
**TRIM - FRONT DOOR TRIM - 4 DOOR MA647645 On**

III. Part No.	Description	Qty	Remarks
8	MXC1306LNF	2	Door pull
	MXC1306LOY	2	Door pull
	MXC1306SUA	2	Door pull
9	MXC1309LNF	4	Cover
	MXC1309LOY	4	Cover
	MXC1309SUA	4	Cover
10	AC610061L	4	Screw
11	MXC4738LNF	2	Escutcheon
12	BTR4216LOY	1	Cover speaker - RH
	BTR4216SUA	1	Cover speaker - RH
	BTR4217LOY	1	Cover speaker - LH
	BTR4217SUA	1	Cover speaker - LH
<b>Japan system</b>			
	BTR9638LNF	1	Cover speaker - RH
	BTR9638LOY	1	Cover speaker - RH
	BTR9638SUA	1	Cover speaker - RH
	BTR9639LNF	1	Cover speaker - LH
	BTR9639LOY	1	Cover speaker - LH
	BTR9639SUA	1	Cover speaker - LH

Note(1) Colour Code LNF-Ash grey LOY-Dark granite SUA-Sorrell brown

**Model** RANGE ROVER 1992 onwards  
**Page** BDPXEA2C

**TRIM - POST FINISHERS 4 DOOR MA647645 On**



**III. Part No. Description Qty Remarks**

**A Post.**

1	AWR1442LUM	Trim A post RH	1	
	AWR1443LUM	Trim A post LH	1	
	AWR1450LUM	Trim A post RH	1	)Note(1)
	AWR1449LUM	Trim A post LH	1	

**Upper seat belt moulding.**

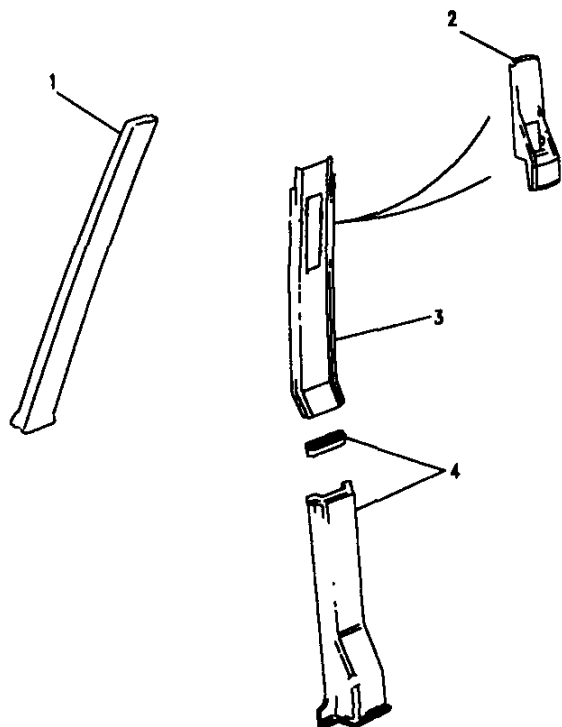
2	BTR2121AUK	Moulding seat belt	2	
	BTR2121LNF	Moulding seat belt	2	
	BTR2121LOY	Moulding seat belt	2	
	BTR2121SUA	Moulding seat belt	2	

Note(1) Complete With Speaker.  
 Note(2) COLOUR CODE. AUK - Tan. LNF - Ash grey, LOY - Dark granite, LUM - Mist grey, SUA - Sorrell brown.



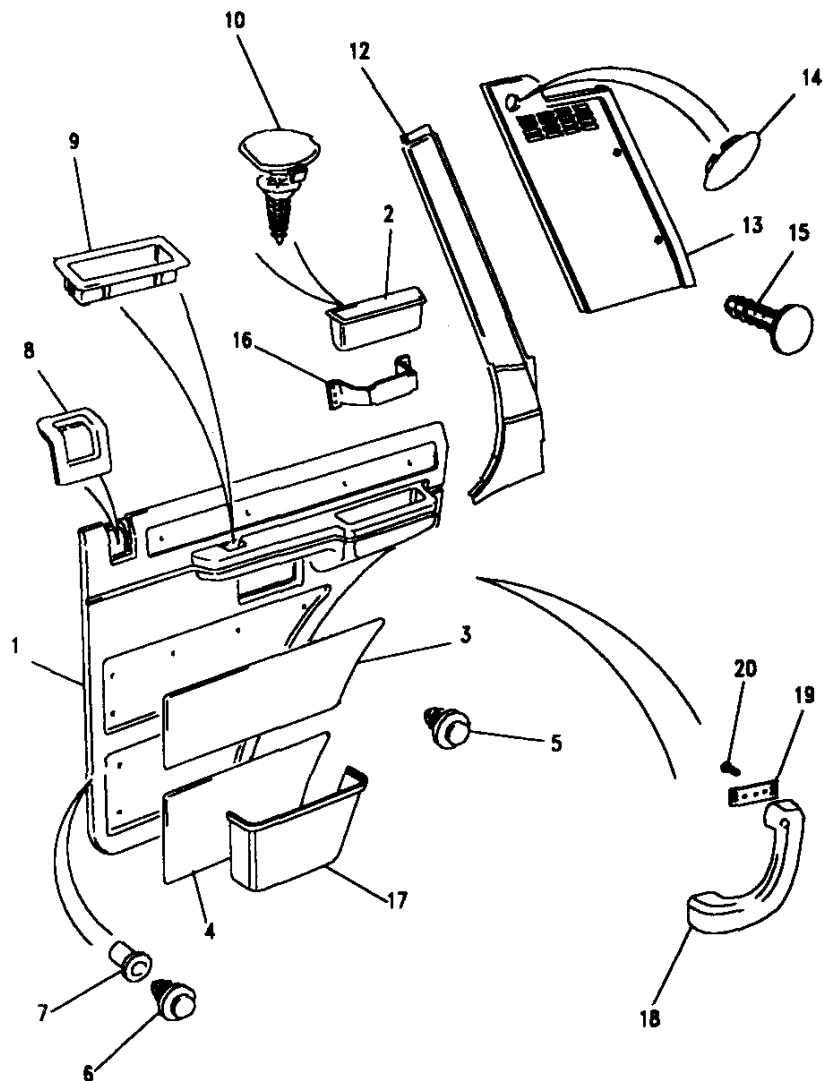
**Model** RANGE ROVER 1992 onwards  
**Page** BDPXEA2C

**TRIM - POST FINISHERS 4 DOOR MA647845 On**



III. Part No.	Description	Qty	Remarks
<b>Upper BC post.</b>			
3	BTR4926AUK	1	Cover BC post RH
	BTR4926LNF	1	Cover BC post RH
	BTR4926LOY	1	Cover BC post RH
	BTR4926SUA	1	Cover BC post RH
	BTR4927AUK	1	Cover BC post LH
	BTR4927LNF	1	Cover BC post LH
	BTR4927LOY	1	Cover BC post LH
	BTR4927SUA	1	Cover BC post LH
<b>Lower BC post.</b>			
4	BTR8562AUK	1	Cover BC post RH
	BTR8562LNF	1	Cover BC post RH
	BTR8562LOY	1	Cover BC post RH
	BTR8562SUA	1	Cover BC post RH
	BTR8561AUK	1	Cover BC post LH
	BTR8561LNF	1	Cover BC post LH
	BTR8561LOY	1	Cover BC post LH
	BTR8561SUA	1	Cover BC post LH

Note(1) COLOUR CODE. AUK - Tan. LNF - Ash grey, LOY - Dark granite, LUM - Mist grey, SUA - Sorrell brown.

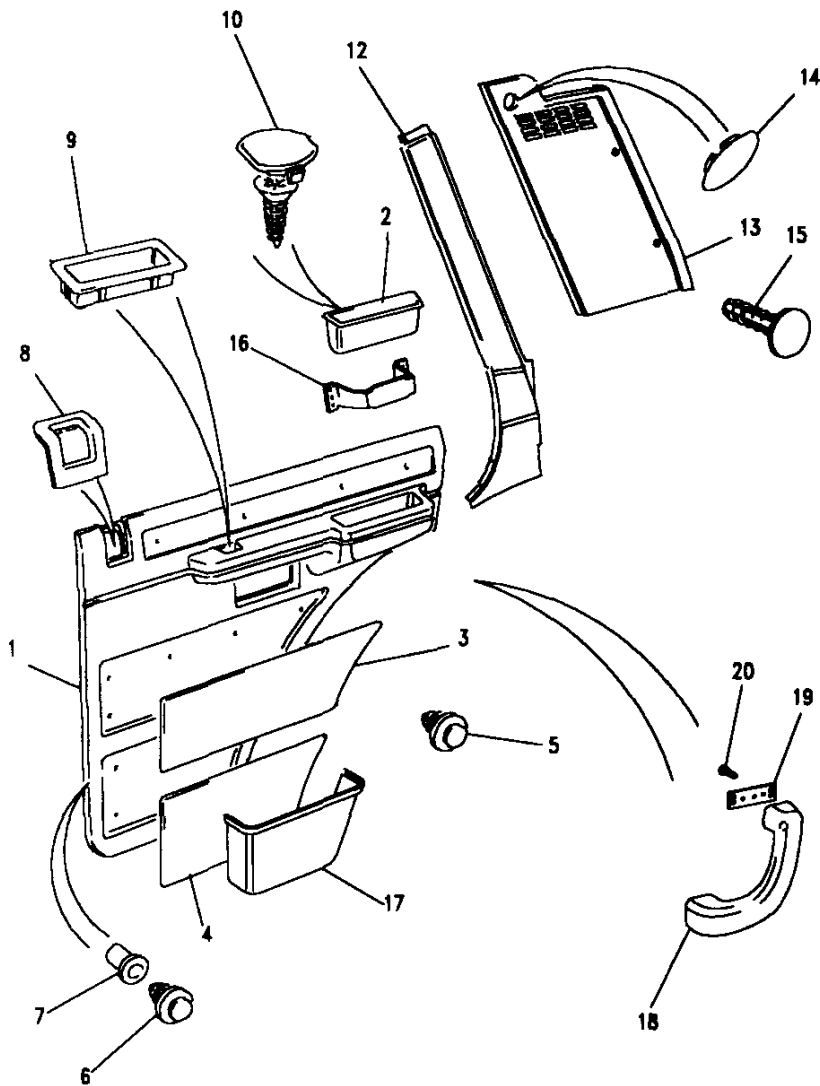


**Model** RANGE ROVER 1992 onwards  
**Page** BDPXEE2A

**TRIM - REAR DOOR TRIM Up To MA647645.**

Ill. Part No.	Description	Qty	Remarks
<b>Basic</b>			
1	BTR625SUA	1	Casing rear side door RH
	BTR625LUL	1	Casing rear side door RH
	BTR626SUA	1	Casing rear side door LH
	BTR626LUL	1	Casing rear side door LH
<b>Vogue &amp; Vogue SE</b>			
	BTR623SUA	1	Casing rear side door RH
	BTR623LUL	1	Casing rear side door RH
	BTR623RWD	1	Casing rear side door RH
	BTR624SUA	1	Casing rear side door LH
	BTR624LUL	1	Casing rear side door LH
	BTR624RWD	1	Casing rear side door LH
	BTR5406SUA	1	Casing rear side door RH
	BTR5406LUL	1	Casing rear side door RH
	BTR5406RWD	1	Casing rear side door RH
	BTR5407SUA	1	Casing rear side door LH
	BTR5407LUL	1	Casing rear side door LH
	BTR5407RWD	1	Casing rear side door LH

Note(1) Up to JA624755  
 Note(2) From KA624756  
 Note(3) BASIC CASING HAVE NO WOOD CAPPINGS.  
 Note(4) VOGUE/SE CASINGS HAVE WOOD CAPPINGS.  
 Note(5) COLOUR CODE. AUE - Brogue, LUL - Winchester grey, SUA - Sorrell brown, RWD - Sable, AUK - Tan.  
 Note(6) For wood cappings see BDPXCG1A.

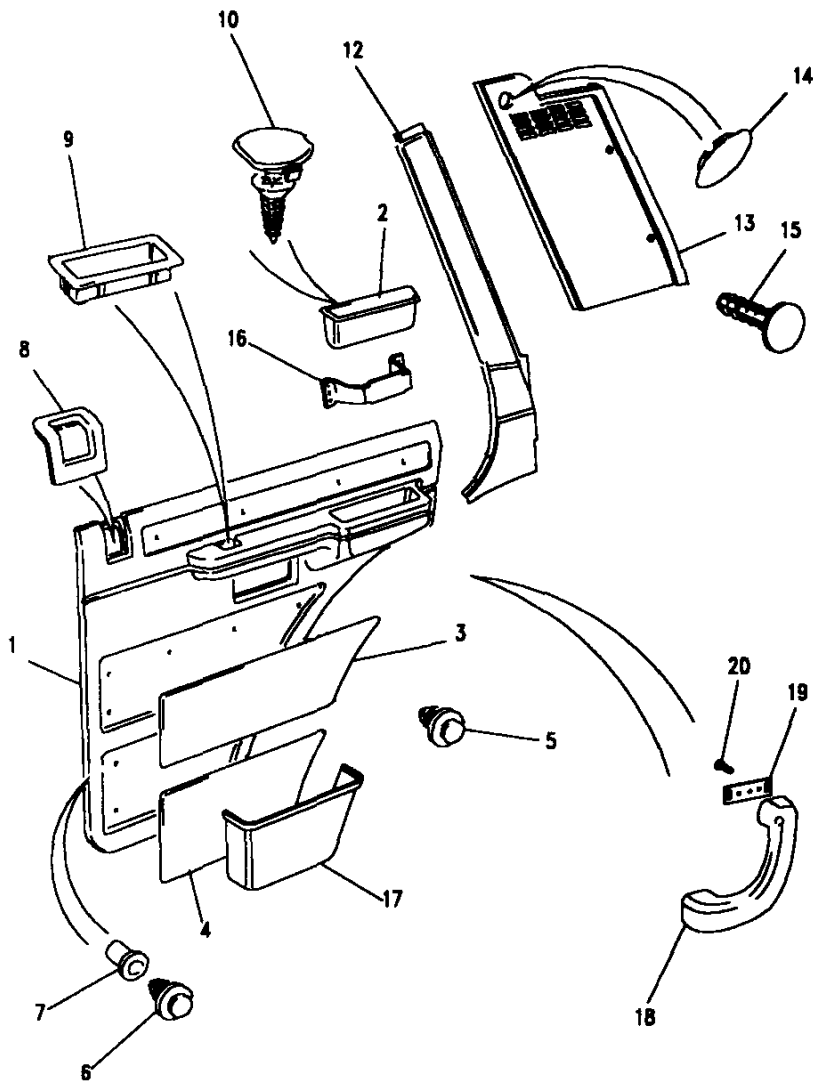


**Model** RANGE ROVER 1992 onwards  
**Page** BDPXEE2A

**TRIM - REAR DOOR TRIM Up To MA647645.**

III. Part No.	Description	Qty	Remarks
<b>LSE only</b>			
1	BTR5408AUK	1	)
	BTR5408RWD	1	)With NO
	BTR5409AUK	1	)grab handle
	BTR5409RWD	1	)
	BTR7004SUA	1	)For vehicles
	BTR7004RWD	1	)With
	BTR7005RWD	1	)Grab handle.
	BTR7005SUA	1	)

Note(1) COLOUR CODE. SUA - Sorrell brown, RWD - Sable, AUK - Tan.

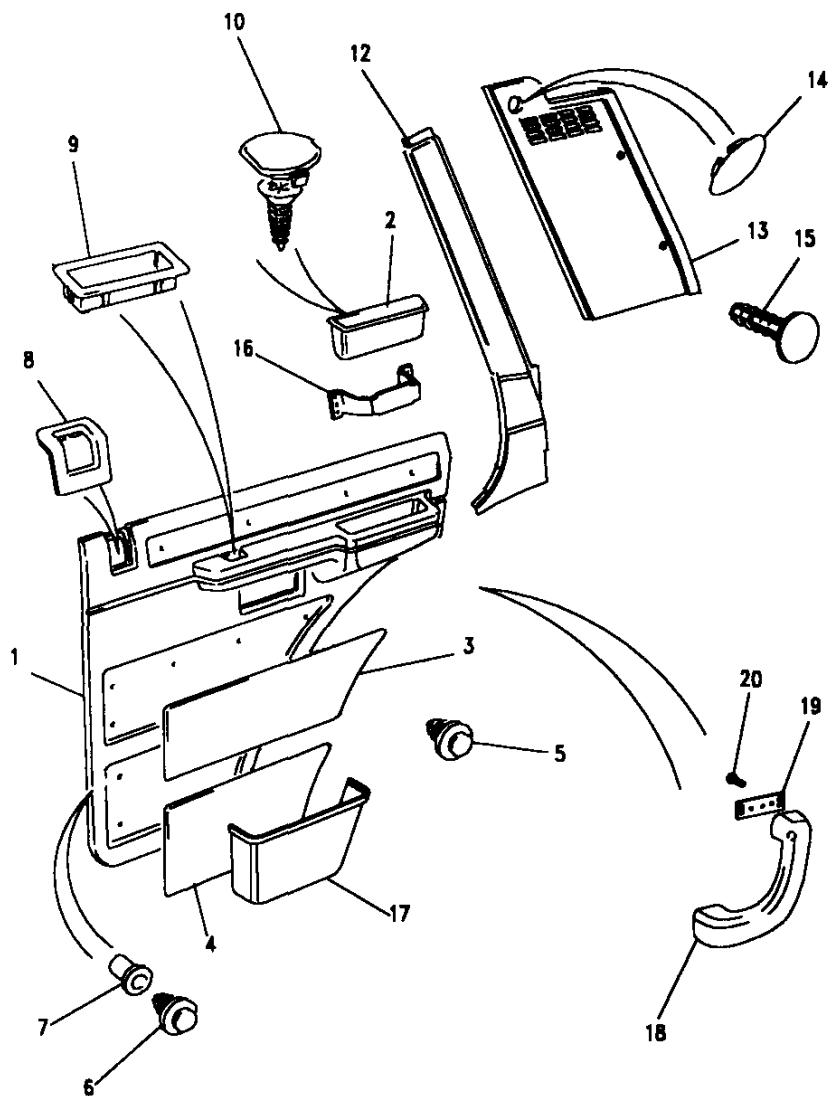


**Model** RANGE ROVER 1992 onwards  
**Page** BDPXEE2A

**TRIM - REAR DOOR TRIM Up To MA647645.**

III. Part No.	Description	Qty	Remarks
<b>All variants</b>			
2	MXC1306SUA	2	Door pull
	MXC1306LUL	2	Door pull
	MXC1306RWD	2	Door pull
	MXC1306AUK	2	Door pull
<b>Upper</b>			
3	MXC1340AUE	1	Insert cloth RH
	MXC1340LUL	1	Insert cloth RH
	MXC1340RWD	1	Insert cloth RH
	MXC1341AUE	1	Insert cloth LH
	MXC1341LUL	1	Insert cloth LH
	MXC1341RWD	1	Insert cloth LH

Note(1) COLOUR CODE. AUE - Brogue, LUL - Winchester grey, SUA - Sorrell brown, RWD - Sable, AUK - Tan.  
 Note(2) For wood cappings see BDPXCG1A.

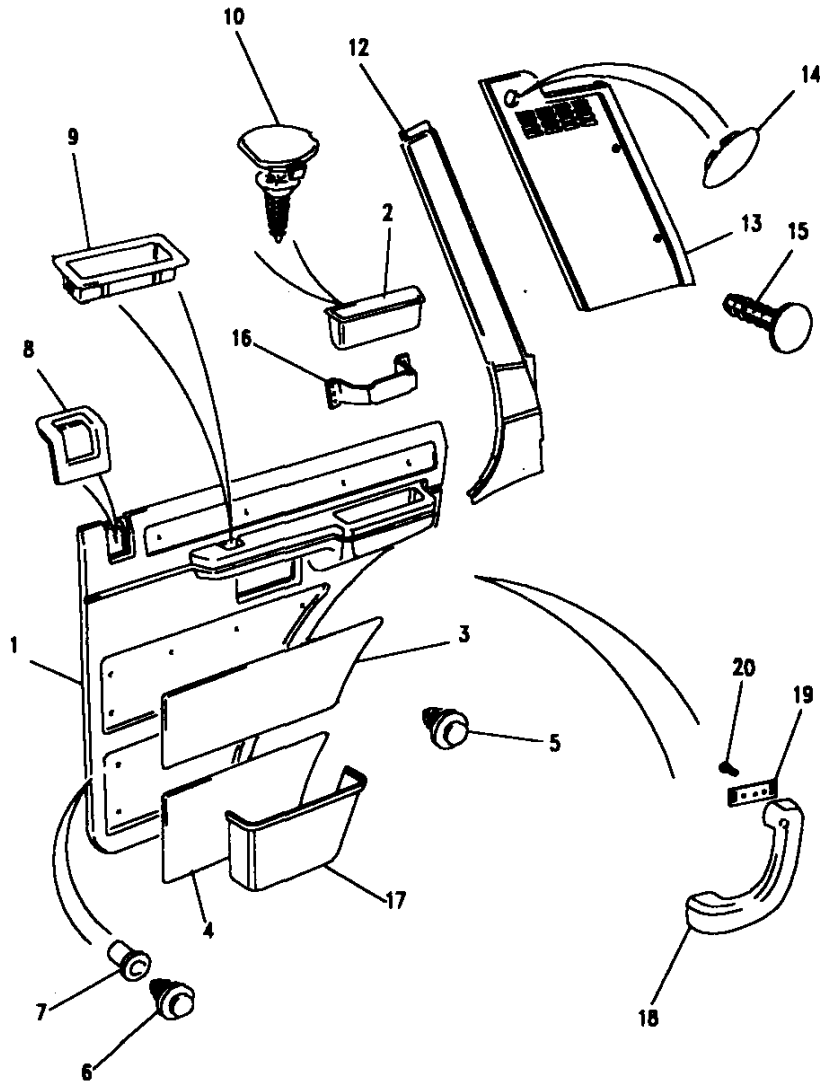


**Model** RANGE ROVER 1992 onwards  
**Page** BDPXEE2A

**TRIM - REAR DOOR TRIM Up To MA647645.**

III. Part No.	Description	Qty	Remarks
<b>108" L.W.B. only</b>			
3	BTR3122AUK	1	Insert cloth RH
	BTR3122RWD	1	Insert cloth RH
	BTR3122SUA	1	Insert cloth RH
	BTR3123AUK	1	Insert cloth LH
	BTR3123RWD	1	insert cloth LH
	BTR3123SUA	1	Insert cloth LH
<b>Lower</b>			
4	MXC1342AUE	1	Insert cloth RH
	MXC1342LUL	1	Insert cloth RH
	MXC1342RWD	1	Insert cloth RH
	MXC1343AUE	1	Insert cloth LH
	MXC1343LUL	1	Insert cloth LH
	MXC1343RWD	1	Insert cloth LH
<b>LSE only</b>			
4	BTR5448AUK	1	Insert cloth RH
	BTR5448RWD	1	insert cloth RH
	BTR5448SUA	1	Insert cloth RH
	BTR5447AUK	1	Insert cloth LH
	BTR5447RWD	1	Insert cloth LH
	BTR5447SUA	1	insert cloth LH

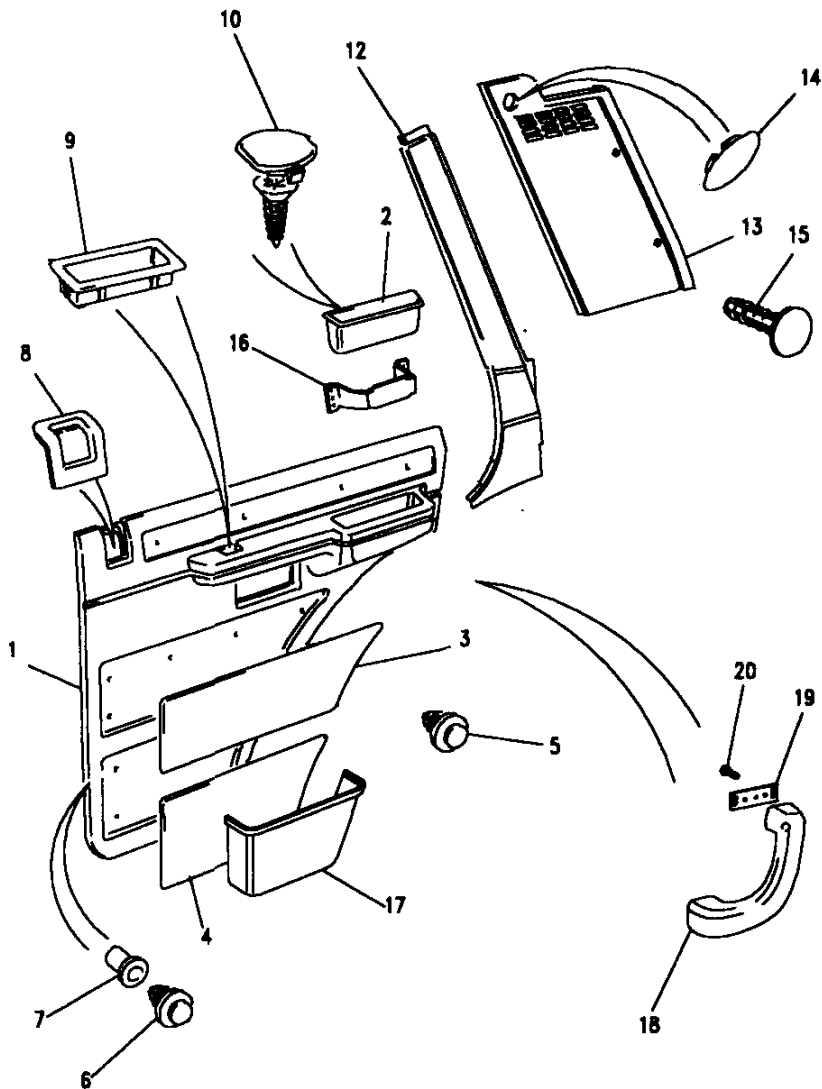
Note(1) COLOUR CODE. AUE - Brogue, LUL - Winchester grey, SUA - Sorrell brown, RWD - Sable, AUK - Tan.  
 Note(2) For wood cappings see BDPXCG1A.



**Model** RANGE ROVER 1992 onwards  
**Page** BDPXEE2A

**TRIM - REAR DOOR TRIM Up To MA647645.**

III. Part No.	Description	Qty	Remarks
<b>All variants</b>			
5	AFU2989	Clip	12
6	MWC3129	Fir tree clip	22
7	AJU1136L	Retainer	22
8	MXC4738RUN	Escutcheon	2
9	MXC1173	Escutcheon	2
10	MXC1309SUA	Cover	4
	MXC1309LUL	Cover	4
	MXC1309RWD	Cover	4
	MXC1309AUK	Cover	4
11	AC610061L	Screw	4



Model RANGE ROVER 1992 onwards

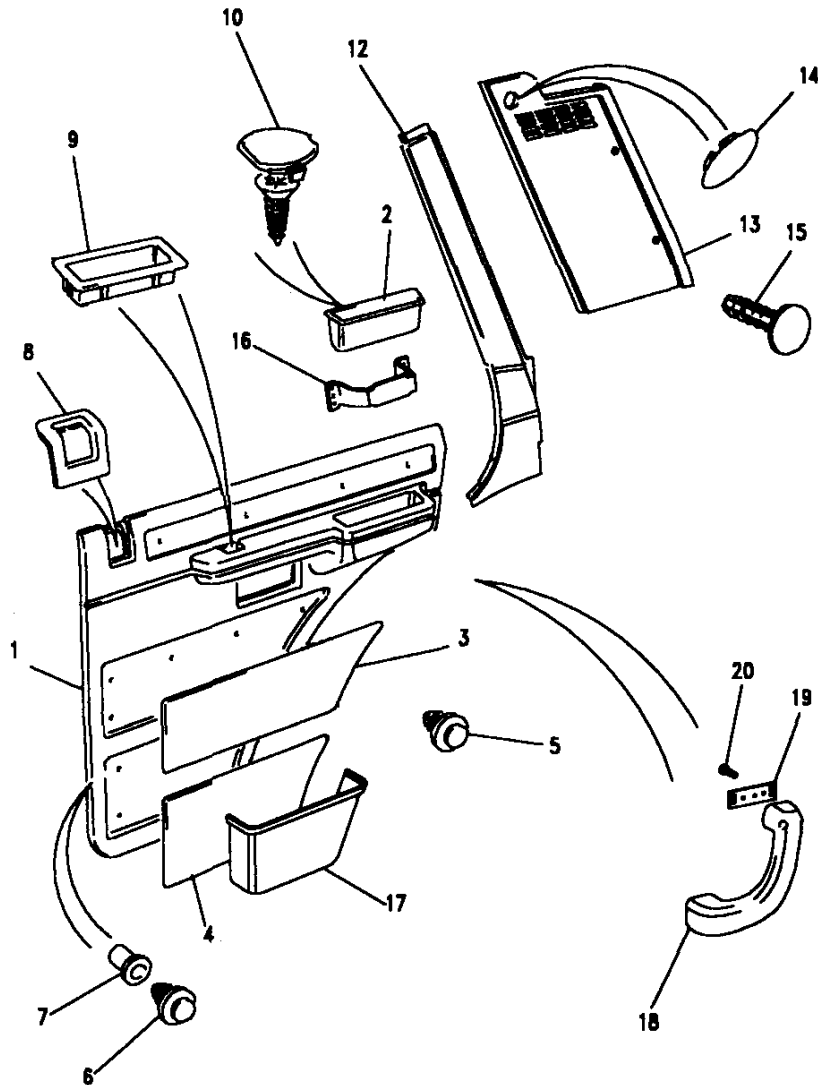
Page BDPXEE2A

TRIM - REAR DOOR TRIM Up To MA647645.

III. Part No.	Description	Qty	Remarks
<b>D post cover - right hand side</b>			
12 MWC2626SUA	Cover D post RH	1	
MWC2626LUL	Cover D post RH	1	
MWC2626RWD	Cover D post RH	1	
MWC2626AUK	Cover D post RH	1	
<b>D post cover - left hand side</b>			
12 MWC2627SUA	Cover D post LH	1	
MWC2627LUL	Cover D Post LH	1	
MWC2627RWD	Cover D Post LH	1	
MWC2627AUK	Cover D Post LH	1	

Note(1) COLOUR CODE. AUE - Brogue, SUA - Sorrell brown, RWD - Sable,

Note(2) AUK - Tan, LUL - Winchester grey, PUB - Black,  
For wood cappings see page 712 - 715



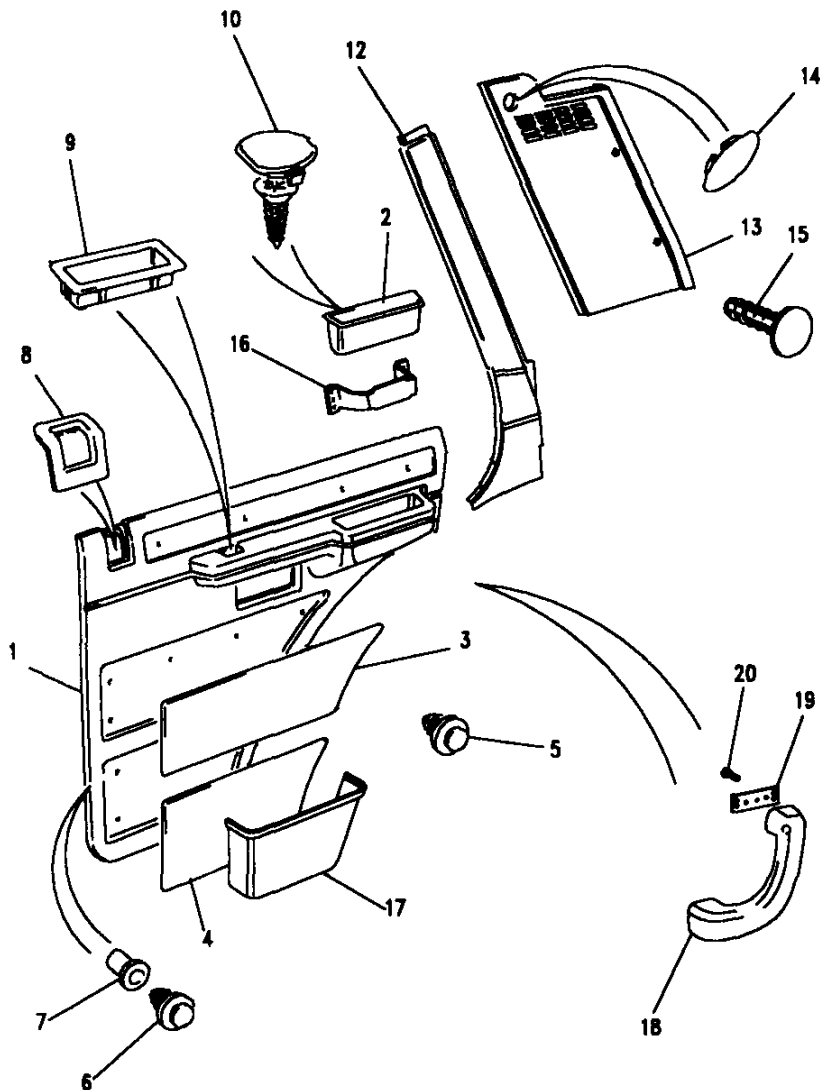
**Model** RANGE ROVER 1992 onwards  
**Page** BDPXEE2A

**TRIM - REAR DOOR TRIM Up To MA647645.**

III. Part No.	Description	Qty	Remarks
13	MXC5449LUL	1	)
	MXC5449SUA	1	)
	MXC5450LUL	1	)Note(1)
	MXC5450SUA	1	)
	MXC5449PUB	1	)Note(2)
	MXC5450PUB	1	)
	BTR5624PUB	1	)
	BTR9893PUB	1	)Note(3)
14	393096SUA	2	
	393096LUL	2	
	393096AUK	2	
15	MXC5451SUA	6	
	MXC5451LUL	6	
	MXC5451PUB	6	
16	MXC8311	2	

Note(1) Up to JA624755  
 Note(2) From KA624756 up to KA644141  
 Note(3) From KA644142





**Model** RANGE ROVER 1992 onwards  
**Page** BDPXEE2A

**TRIM - REAR DOOR TRIM up to MA647645**

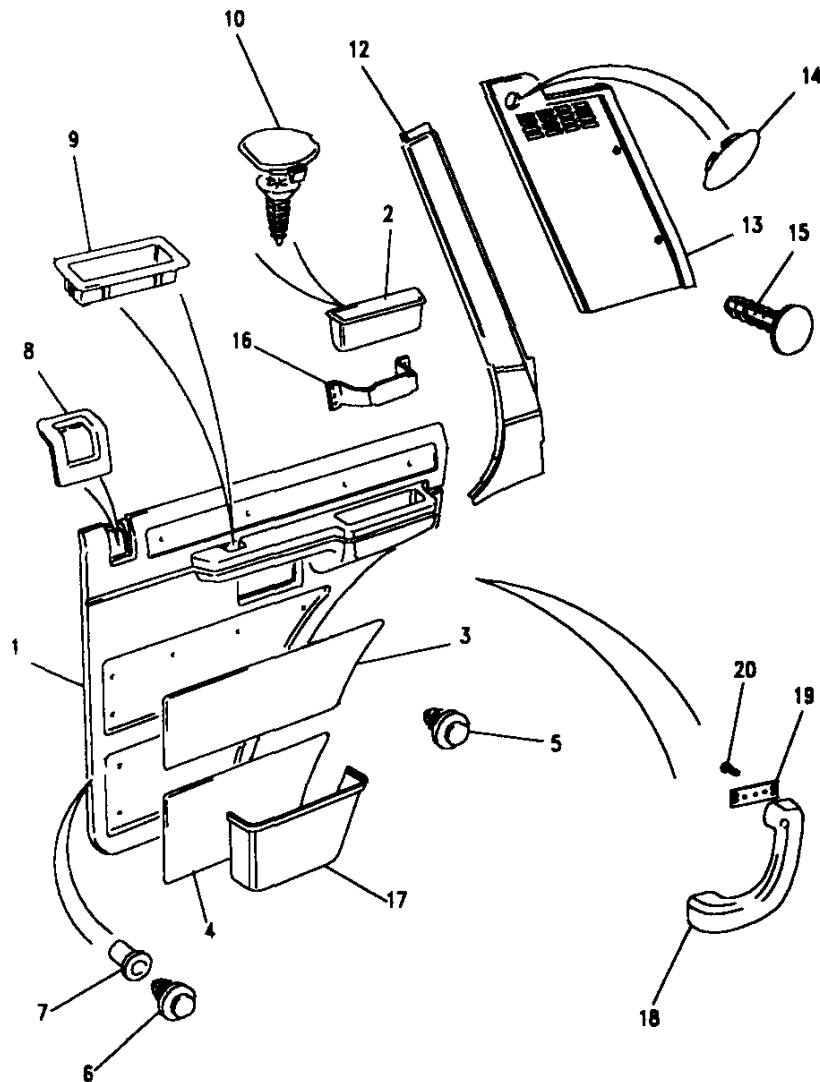
III. Part No.	Description	Qty	Remarks
<b>108" L.W.B. only</b>			
17 BTR5420AUK	Pocket RH	1	
BTR5420RWD	Pocket RH	1	
BTR5420SUA	Pocket RH	1	
BTR5419AUK	Pocket LH	1	
BTR5419RWD	Pocket LH	1	
BTR5419SUA	Pocket LH	1	
18 BTR6713AUK	Handle door inner LH	1	
BTR6713RWD	Handle door inner LH	1	
BTR6713SUA	Handle door inner LH	1	
BTR6712AUK	Handle door inner RH	1	
BTR6712RWD	Handle door inner RH	1	
BTR6712SUA	Handle door inner RH	1	
19 BTR6710	Reinforcement	2	
20 BTR6711	Screw	6	

Note(1) COLOUR CODE. AUK - Saddle, SUA - Sorrell brown, RWD - Dark sable.

Note(2) For wood cappings see page 712 - 715

**DOOR HANDLE RETRO FIT.**

Note(3) BTR6712 & BTR6713 can be fitted to earlier LSE models using BTR6710 Reinforcement & BTR6711 Screw. The rear of the casing will need to be dressed to allow correct assembly.

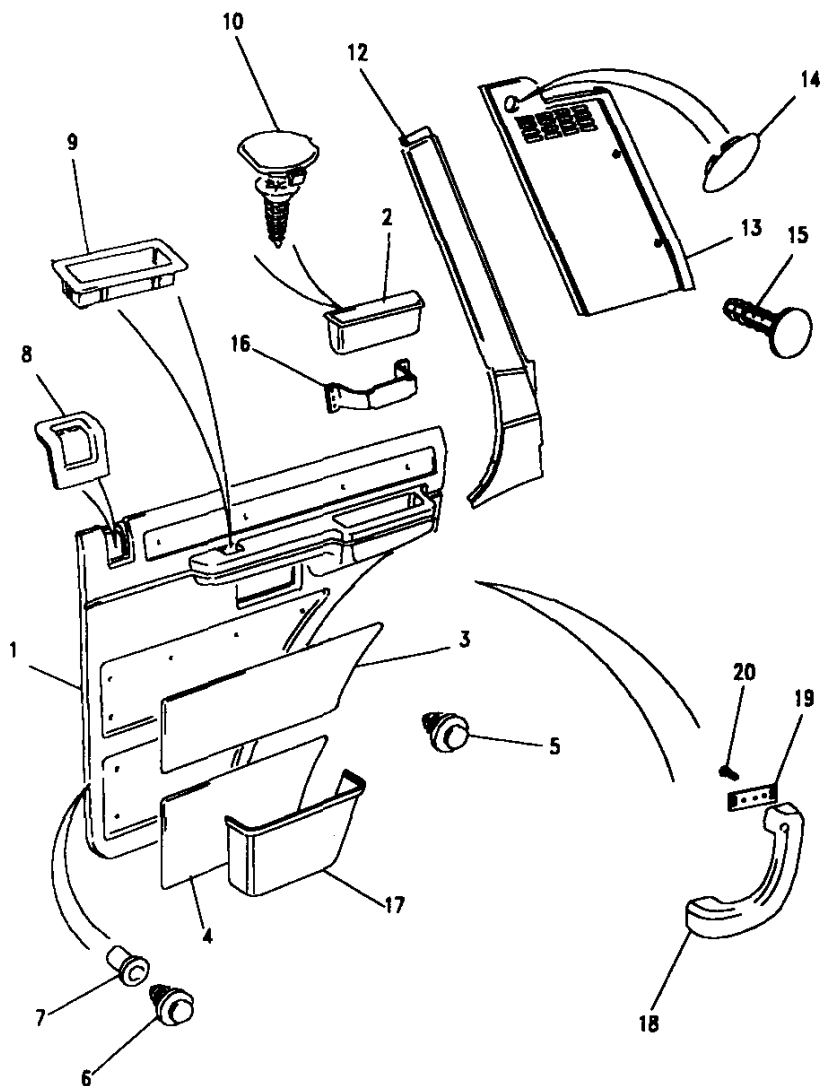


**Model** RANGE ROVER 1992 onwards  
**Page** BDPXEE2A

**TRIM - REAR DOOR TRIM - MA647645 on**

III. Part No.	Description	Qty	Remarks
<b>Low Line.</b>			
1	BTR625LOY	1	Casing rear door RH
	BTR625SUA	1	Casing rear door RH
	BTR626LOY	1	Casing rear door LH
	BTR626SUA	1	Casing rear door LH
<b>Hi Line.</b>			
	BTR5406LNF	1	Casing rear door RH
	BTR5406LOY	1	Casing rear door RH
	BTR623SUA	1	Casing rear door RH
	BTR5407LNF	1	Casing rear door LH
	BTR5407LOY	1	Casing rear door LH
	BTR624SUA	1	Casing rear door LH
<b>108"</b>			
	BTR7004LNF	1	Casing rear door RH
	BTR7004LOY	1	Casing rear door RH
	BTR7004SUA	1	Casing rear door RH
	BTR7005LNF	1	Casing rear door LH
	BTR7005LOY	1	Casing rear door LH
	BTR7005SUA	1	Casing rear door LH
2	MXC1306LNF	1	Door pull
	MXC1306LOY	1	Door pull
	MXC1306SUA	1	Door pull

Note(1) COLOUR CODE. LNF - Ash grey, LOY - Dark granite, SUA - Sorrell brown.

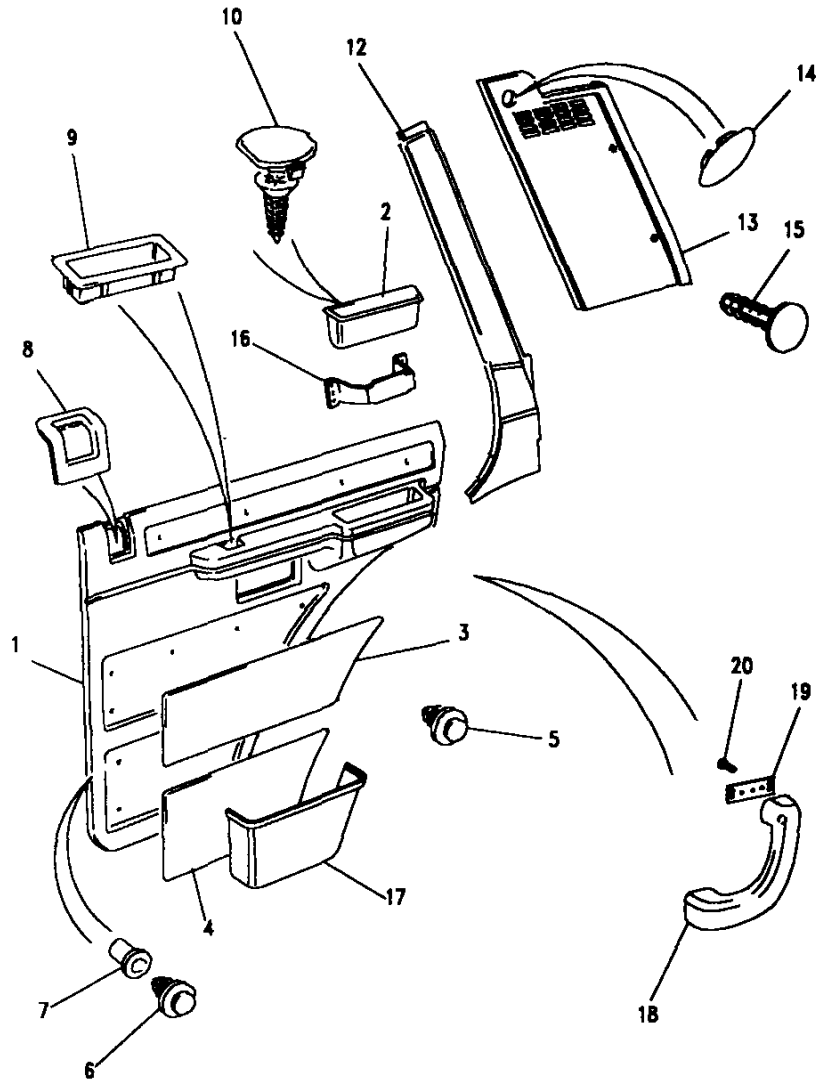


**Model** RANGE ROVER 1992 onwards  
**Page** BDPXEE2A

**TRIM - REAR DOOR TRIM - MA647645 on**

III. Part No.	Description	Qty	Remarks
<b>Upper Insert 100".</b>			
3	MXC1340LNF	1	Insert cloth RH
	MXC1340LOY	1	Insert cloth RH
	MXC1341LNF	1	Insert cloth LH
	MXC1341LOY	1	Insert cloth LH
<b>Upper Insert 108".</b>			
3	BTR3122LNF	1	Insert cloth RH
	BTR3122LOY	1	Insert cloth RH
	BTR3122SUA	1	Insert cloth RH
	BTR3123LNF	1	Insert cloth LH
	BTR3123LOY	1	Insert cloth LH
	BTR3123SUA	1	Insert cloth LH
<b>Lower Insert 100".</b>			
4	MXC1342LNF	1	Insert cloth RH
	MXC1342LOY	1	Insert cloth RH
	MXC1343LNF	1	Insert cloth LH
	MXC1343LOY	1	Insert cloth LH
<b>Lower Insert 108".</b>			
4	BTR5448LNF	1	Insert cloth RH
	BTR5448LOY	1	Insert cloth RH
	BTR5448SUA	1	Insert cloth RH
	BTR5447LNF	1	Insert cloth LH
	BTR5447LOY	1	Insert cloth LH
	BTR5447SUA	1	Insert cloth LH

Note(1) COLOUR CODE. LNF - Ash grey, LOY - Dark granite, SUA - Sorrell brown.

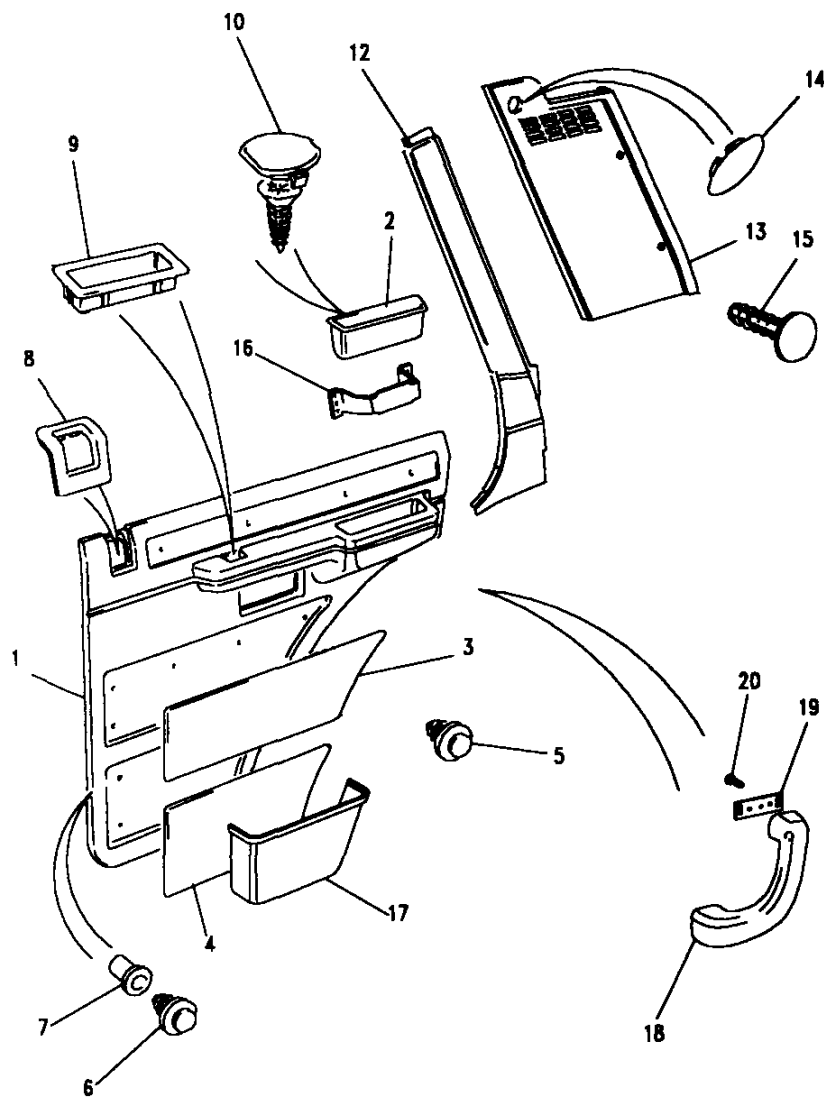


**Model** RANGE ROVER 1992 onwards  
**Page** BDPXEE2A

**TRIM - REAR DOOR TRIM - MA647645 on**

III. Part No.	Description	Qty	Remarks
5	AFU2989	12	Clip
6	MWC3129	22	Fir tree clip
7	AJU1136L	22	Retainer
8	MXC4738RUN	2	Escutcheon
9	MXC1173	2	Escutcheon
10	MXC1309LNF	4	Cover
	MXC1309LOY	4	Cover
	MXC1309SUA	4	Cover
11	AC610061L	4	Screw
<b>D post cover - right hand side.</b>			
12	MWC2626AUK	1	Cover D post RH
	MWC2626LNF	1	Cover D post RH
	MWC2626LOY	1	Cover D post RH
	MWC2626SUA	1	Cover D post RH
<b>D post cover - left hand side.</b>			
12	MWC2627AUK	1	Cover D post LH
	MWC2627LNF	1	Cover D post LH
	MWC2627LOY	1	Cover D post LH
	MWC2627SUA	1	Cover D post LH
13	BTR9893PUB	1	Cover quater trim RH
	BTR9894PUB	1	Cover quater trim LH
14	393096LUM	2	Plug
15	MXC5451PUB	6	Fastener
16	MXC8311	2	Bracket door pull

Note(1) COLOUR CODE. LNF - Ash grey, LOY - Dark granite, PUB - Black, SUA - Sorrell brown.



**Model** RANGE ROVER 1992 onwards  
**Page** BDPXEE2A

**TRIM - REAR DOOR TRIM - MA647645 on**

III. Part No.	Description	Qty	Remarks
<b>108" only.</b>			
17 BTR5420LNF	Pocket RH	1	
BTR5420LOY	Pocket RH	1	
BTR5420SUA	Pocket RH	1	
BTR5419LNF	Pocket LH	1	
BTR5419LOY	Pocket LH	1	
BTR5419SUA	Pocket LH	1	
18 BTR6712LNF	Handle door inner RH	1	
BTR6712LOY	Handle door inner RH	1	
BTR6712SUA	Handle door inner RH	1	
BTR6713LNF	Handle door inner LH	1	
BTR6713LOY	Handle door inner LH	1	
BTR6713SUA	Handle door inner LH	1	
19 BTR6710	Reinforcement	2	
20 BTR6711	Screw	6	

Note(1) COLOUR CODE. LNF - Ash grey, LOY - Dark granite, SUA - Sorrell brown.

**Model** RANGE ROVER 1992 onwards  
**Page** BDPXGA1A

**TRIM - BODYSIDE - 2 DOOR.**

**Ill. Part No. Description Qty Remarks**

**Upper**

1	MWC7244SUA	Cover BC post RH	1	
	MWC7245SUA	Cover BC post LH	1	

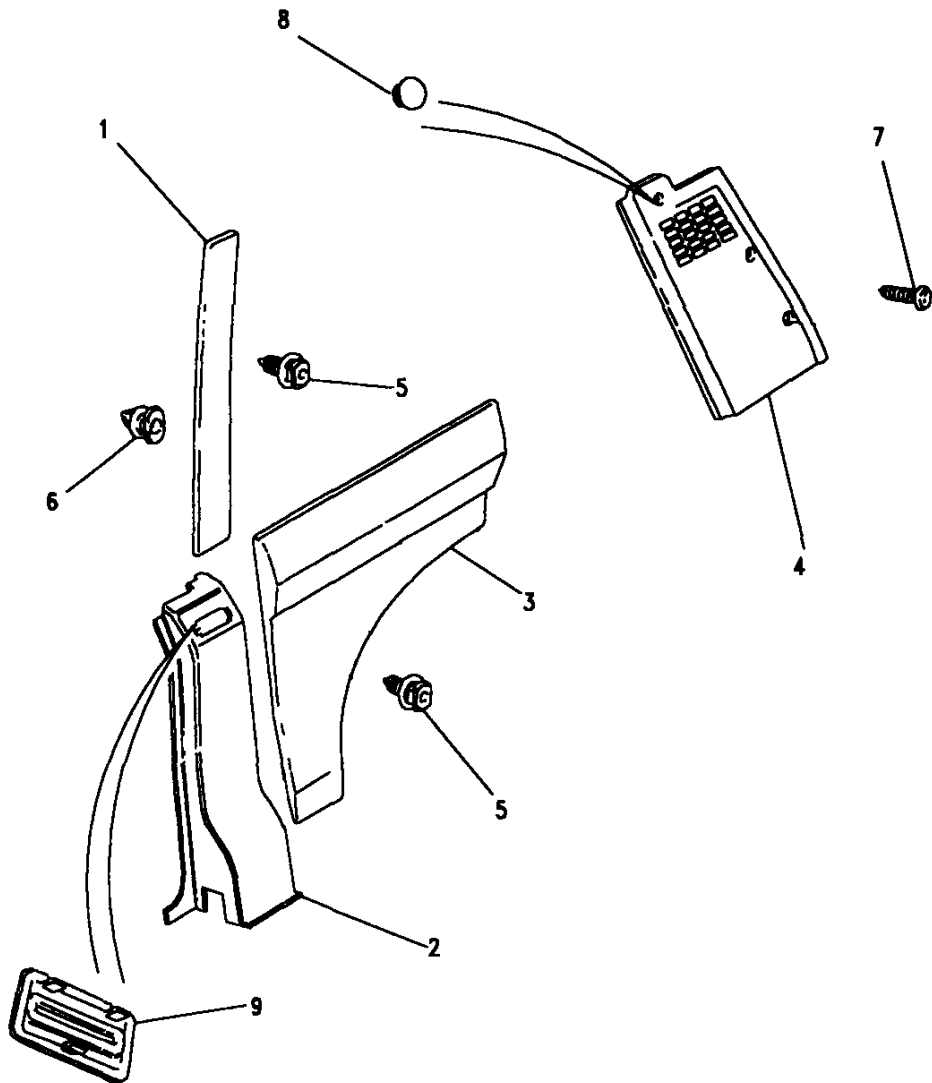
**Lower**

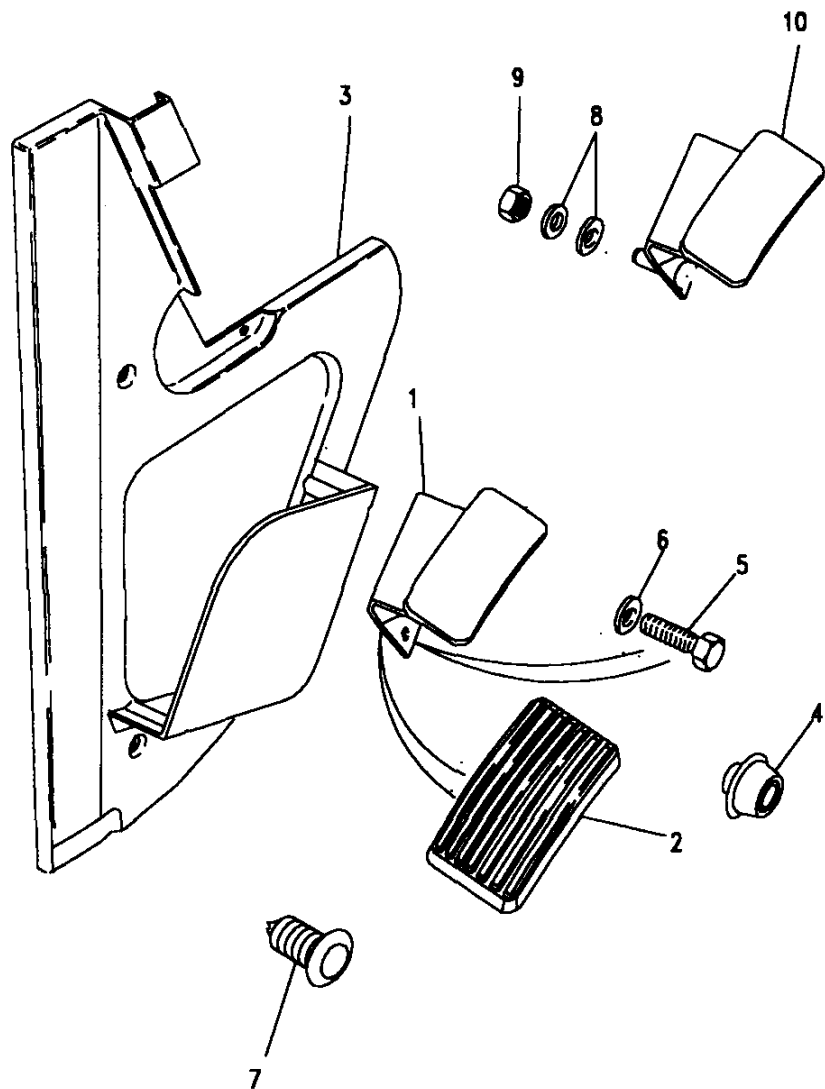
2	MXC4672SUA	Cover BC post RH	1	)Note(1)
	MXC4671SUA	Cover BC post LH	1	
	BTR8564SUA	Cover BC post RH	1	)Note(2)
	BTR8563SUA	Cover BC post LH	1	

**All variants**

3	MXC2245SUA	Cover rear quarter RH	1	
	MXC2246SUA	Cover rear quarter LH	1	
4	MXC5449SUA	Cover quarter panel RH	1	)Note(3)
	MXC5450SUA	Cover quarter panel LH	1	
	MXC5450PUB	Cover quarter panel LH	1	)Note(4)
	MXC5449PUB	Cover quarter panel RH	1	
5	MTC9665	Clip	20	
6	MRC7399	Clip	A/R	
7	AB608047L	Screw	4	
8	393096SUA	Plug	2	
9	MXC4644SUA	Escutcheon	2	

Note(1) Up to KA639891  
 Note(2) From KA639892  
 Note(3) Up to JA624755  
 Note(4) From KA624756



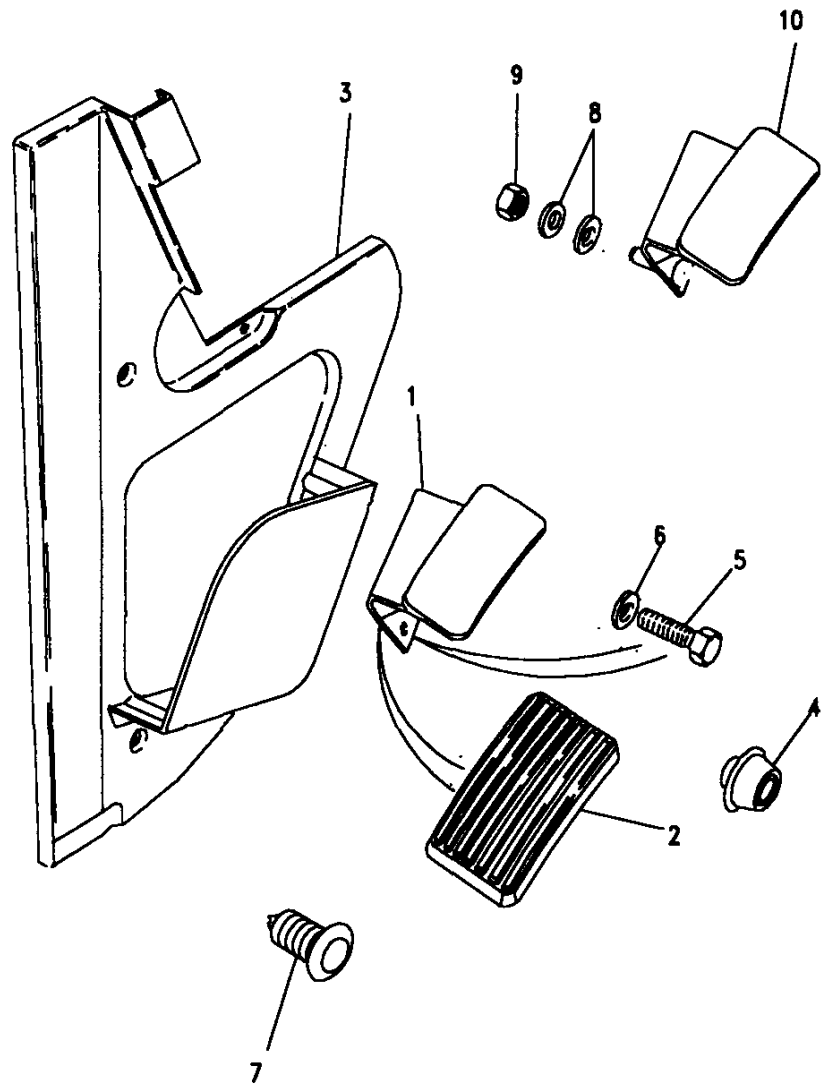


**Model** RANGE ROVER 1992 onwards  
**Page** BDPXIA1A

**TRIM - FOOTREST & TOEBOX TRIM Up To LA647644**

Ill. Part No.	Description	Qty	Remarks
1 MUC9472	Footrest RH	1	
MXC2531	Footrest LH	1	
2 592840	Pad rubber	1	
<b>RHS &amp; LHS with no pockets.</b>			
3 MUC9478SUA	Finisher toebox RH	1	)Note(1)
MUC9478LUL	Finisher toebox RH	1	
BTR5384LUL	Finisher toebox RH	1	)Note(2)
BTR5384SUA	Finisher toebox RH	1	
BTR5384RWD	Finisher toebox RH	1	
BTR5384AUK	Finisher toebox RH	1	
<b>RHS &amp; LHS with pockets.</b>			
3 BTR5388RWD	Finisher toebox RH	1	
BTR5388LUL	Finisher toebox RH	1	
BTR5388AUK	Finisher toebox RH	1	
BTR5388SUA	Finisher toebox RH	1	
<b>RHS - with no pockets.</b>			
3 MUC9479SUA	Finisher toebox LH	1	
MUC9479LUL	Finisher toebox LH	1	

Note(1) Up to JA622963  
 Note(2) From JA622964  
 Note(3) From MA647645  
 Note(4) COLOUR CODE. LUL - Winchester grey, SUA - Sorrell brown, RWD - Sable, AUK - Tan.



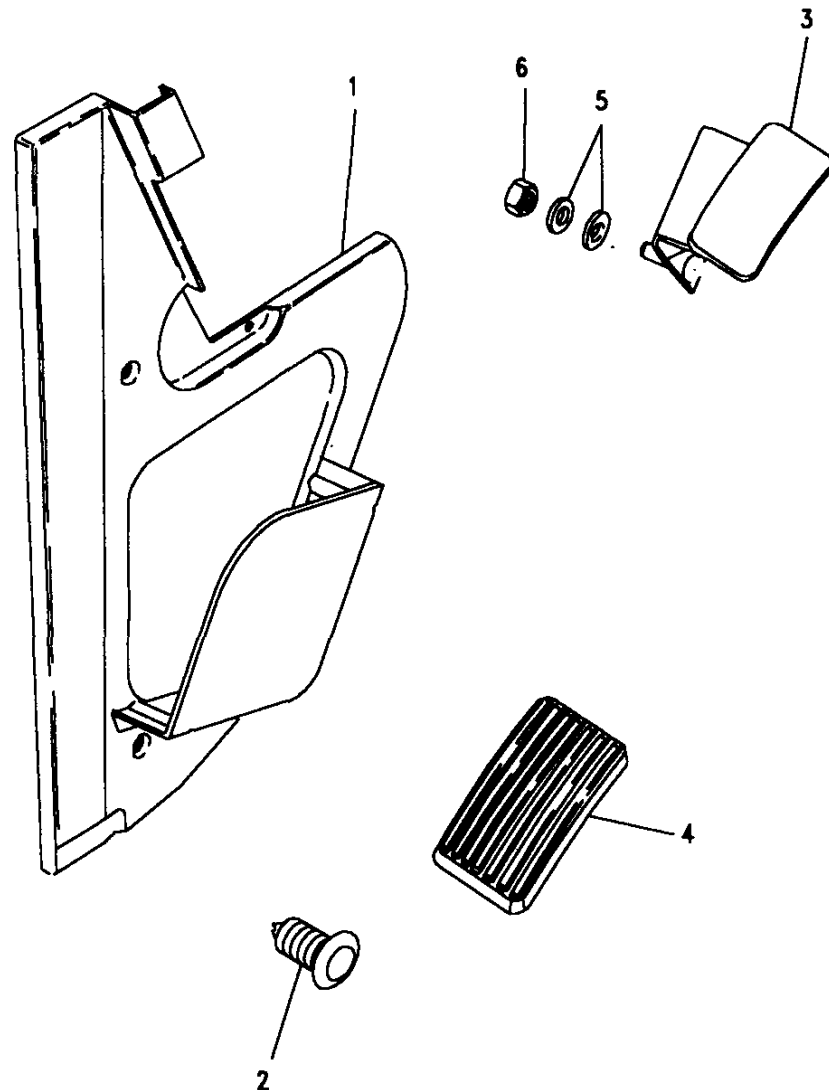
**Model** RANGE ROVER 1992 onwards  
**Page** BDPXIA1A

**TRIM - FOOTREST & TOEBOX TRIM Up To LA647644**

iii. Part No.	Description	Qty	Remarks
<b>RHS - with pockets.</b>			
3	BTR5389RWD	1	Finisher toebox LH
	BTR5389SUA	1	Finisher toebox LH
	BTR5389AUK	1	Finisher toebox LH
	BTR5389LUL	1	Finisher toebox LH
<b>LHS - with no pockets.</b>			
	MUC9477SUA	1	Finisher toebox LH )
	MUC9477LUL	1	Finisher toebox LH )Note(1)
	BTR5385LUL	1	Finisher toebox LH )
	BTR5385SUA	1	Finisher toebox LH )Note(2)
	BTR5385RWD	1	Finisher toebox LH
	BTR5385AUK	1	Finisher toebox LH
<b>All variants</b>			
4	MUC9210	2	Plug blanking
5	SH106121L	2	Screw
6	WA106041L	2	Washer plain
7	MUC9219SUA	2	Fastener
	MUC9219LUL	2	Fastener
	MUC9219RWD	2	Fastener
	MUC9219AUK	2	Fastener

Note(1) Up to JA622963  
 Note(2) From JA622964





**Model** RANGE ROVER 1992 onwards  
**Page** BDPXIA1B

**TRIM - FOOTREST & TOEBOX TRIM MA647645 On**

Ill. Part No.	Description	Qty	Remarks
<b>Toebox trim without pockets</b>			
1	BTR9298LNF Finisher toebox RH	1	
	BTR9298LOY Finisher toebox RH	1	
	BTR9298SUA Finisher toebox RH	1	
1	BTR9299LNF Finisher toebox LH	1	
	BTR9299LOY Finisher toebox LH	1	
	BTR9299SUA Finisher toebox LH	1	
<b>Toebox trim with pocket RH</b>			
1	BTR9708LNF Finisher toebox RH	1	
	BTR9708LOY Finisher toebox RH	1	
	BTR9708SUA Finisher toebox RH	1	
<b>Toebox trim with footrest LHD LH</b>			
1	BTR9521LNF Finisher toebox LH	1	
	BTR9521LOY Finisher toebox LH	1	
	BTR9521SUA Finisher toebox LH	1	
2	BTR9297LNF Fastener	2	
	BTR9297LOY Fastener	2	
	BTR9297SUA Fastener	2	
3	AWR1370 Footrest RH	1	
4	MUC9476 Pad rubber	1	
5	WA106041L Washer plain	4	
6	NH106041L Nut	2	

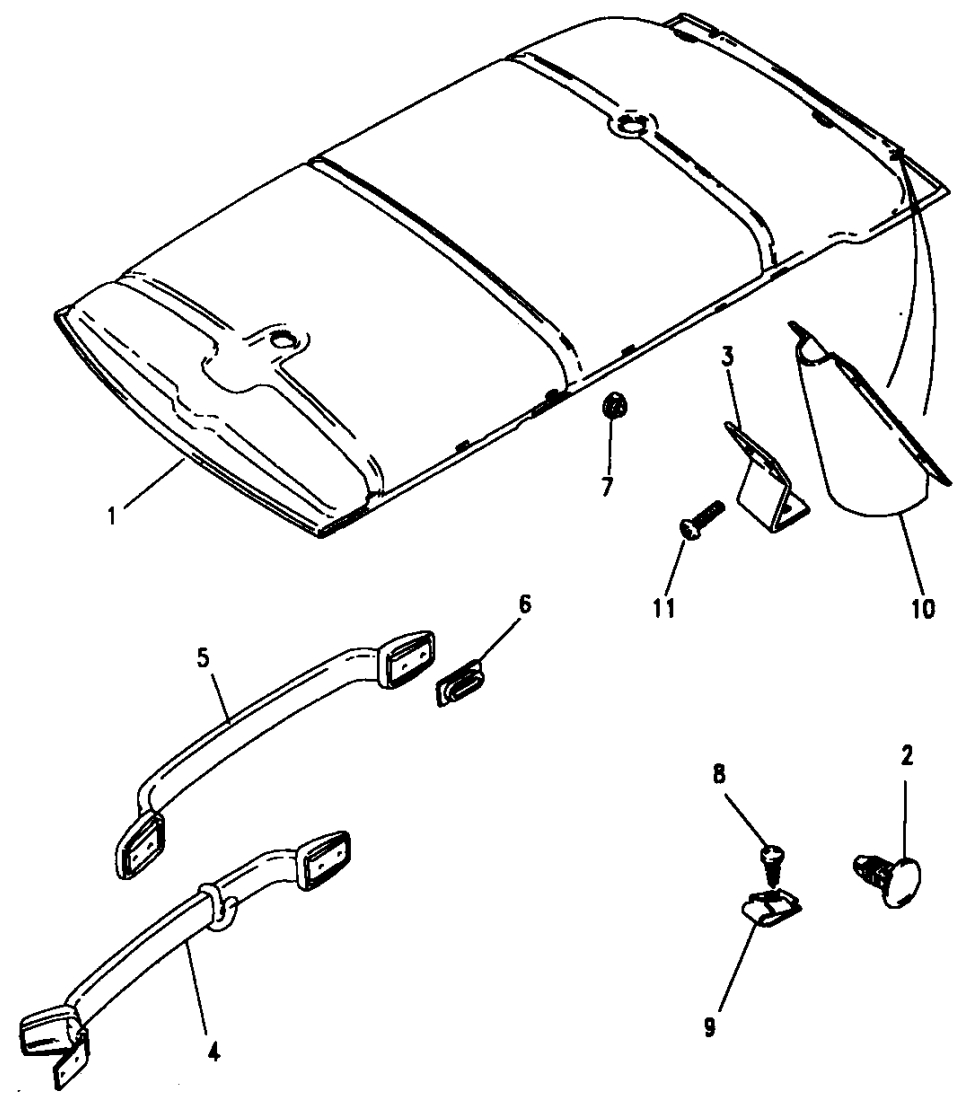
Note(1) COLOUR CODE. LNF - Ash grey LOY - Dark granite SUA - Sorrell brown

**Model** RANGE ROVER 1992 onwards  
**Page** BDPXKA1A

**TRIM - HEADLINING NON SUN ROOF.**

III. Part No.	Description	Qty	Remarks
<b>2 Door - up to JA624755</b>			
1 MWC5975LUM	Headlining	1	
<b>4 Door - up to JA624755</b>			
MWC5481LUM	Headlining	1	
<b>All below from KA624756</b>			
<b>2 Door non alarm</b>			
BTR6252LUM	Headlining	1	
<b>2 Door With alarm</b>			
BTR6253LUM	Headlining	1	
<b>4 Door non alarm</b>			
BTR6256LUM	Headlining	1	
<b>4 Door with alarm</b>			
BTR6257LUM	Headlining	1	

Note(1) COLOUR CODE. LUM - Mist grey.



**Model** RANGE ROVER 1992 onwards  
**Page** BDPXKA1A

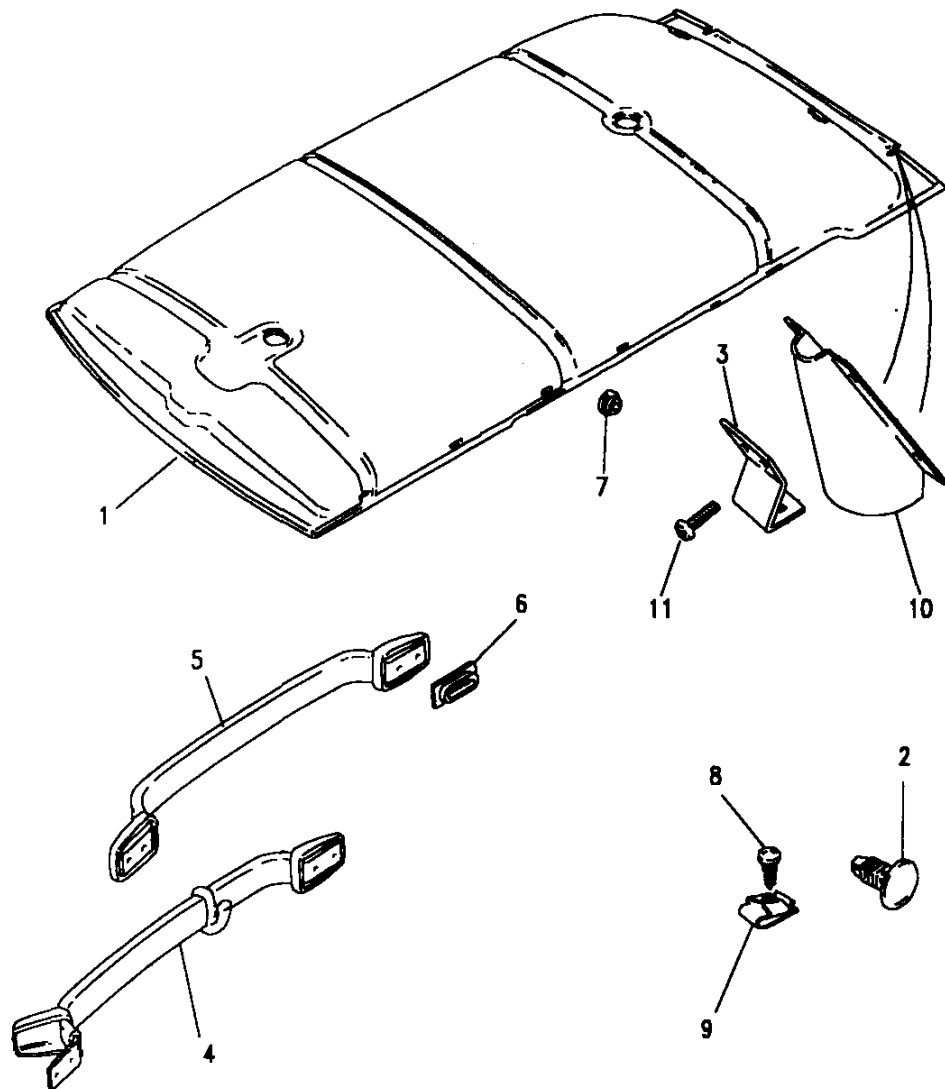
**TRIM - HEADLINING NON SUN ROOF.**

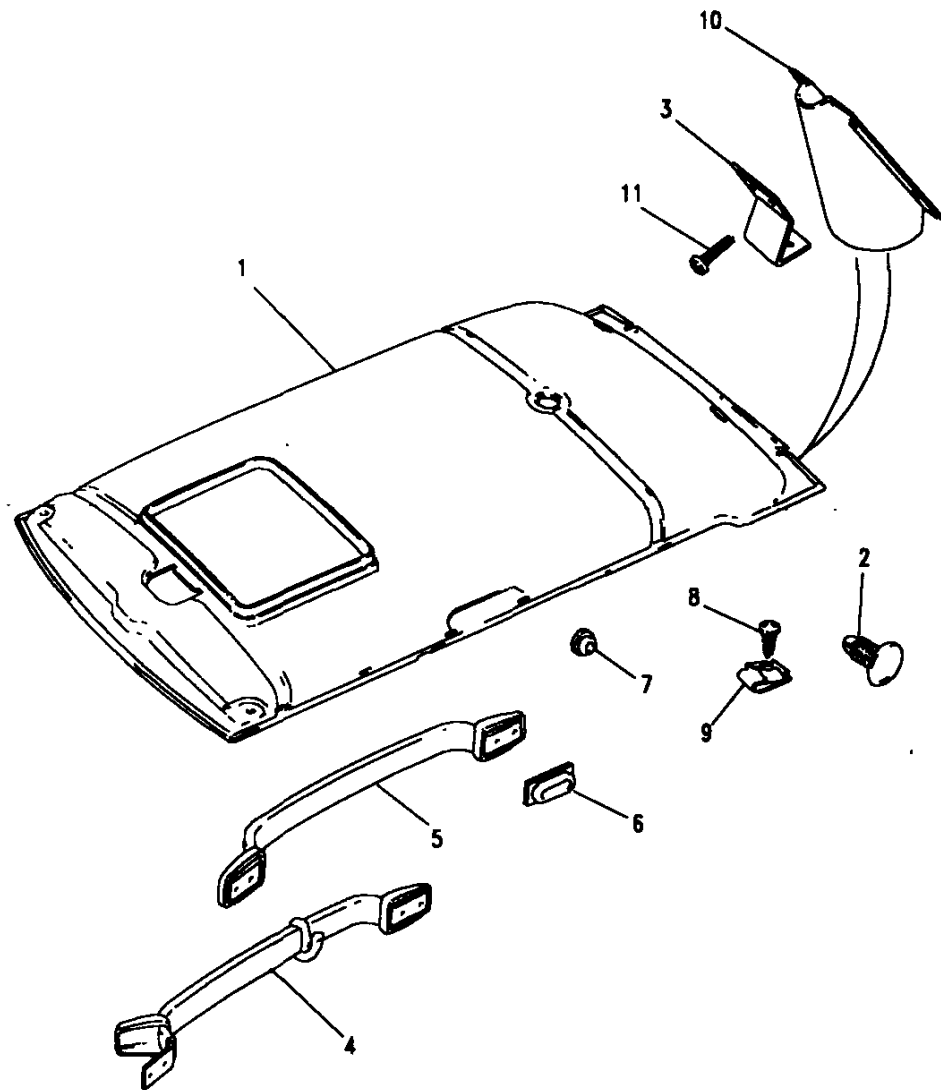
III. Part No.	Description	Qty	Remarks
<b>All variants</b>			
2 MWC8228LUM	Fastener	A/R	
3 MWC8447	Bracket fixing	2	
4 MUC5088LUM	Rail grab	2	Rear
5 MUC5486LUM	Rail grab	2	Front
6 MWC9640	Insert	8	
7 MWC9822	Insert	2	
8 AD610084	Screw	8	
9 AL610011L	Nut	8	
10 392267LUM	Retainer RH	1	
393182LUM	Retainer LH	1	
11 AB608031L	Screw	8	

**Finisher MA647645 On.**

12 BTR8668LUM	Finisher headlining	1	NO ALARM
BTR8669LUM	Finisher headlining	1	ALARM

Note(1) COLOUR CODE. LUM - Mist grey.



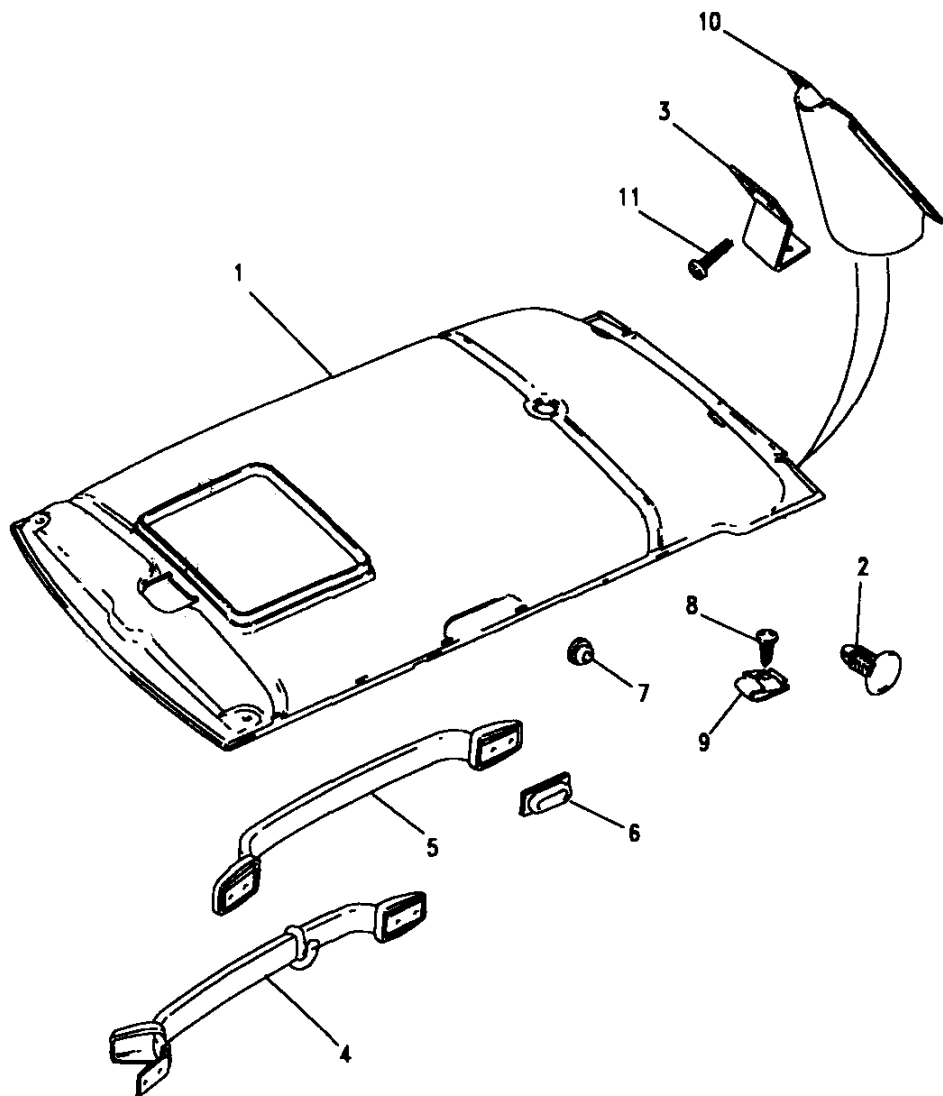


**Model** RANGE ROVER 1992 onwards  
**Page** BDPXKA2A

**TRIM - HEADLINING - SUN ROOF.**

Ill. Part No.	Description	Qty	Remarks
<b>2 Door - up to JA624755</b>			
1	BTR443LUM Headlining	1	
<b>4 Door - up to JA624755</b>			
	BTR444LUM Headlining	1	
<b>All below from KA624758</b>			
<b>2 Door non alarm</b>			
	BTR6254LUM Headlining	1	
<b>2 Door with alarm</b>			
	BTR6255LUM Headlining	1	
<b>4 Door non alarm</b>			
	BTR6258LUM Headlining	1	
<b>4 Door with alarm</b>			
	BTR6259LUM Headlining	1	

Note(1) COLOUR CODE. LUM - Mist grey.



**Model** RANGE ROVER 1992 onwards  
**Page** BDPXKA2A

**TRIM - HEADLINING - SUN ROOF.**

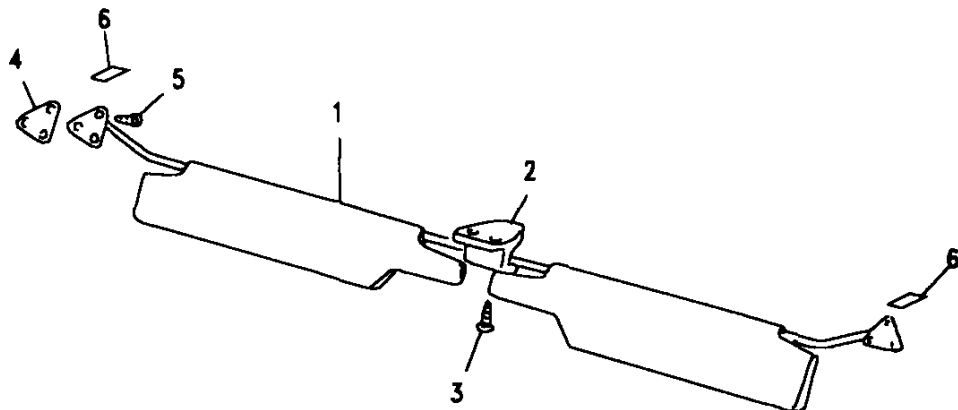
III. Part No.	Description	Qty	Remarks
108" L.W.B. non alarm BTR6250LUM	Headlining	1	
108" L.W.B. with alarm BTR6251LUM	Headlining	1	
<b>All variants</b>			
2 MWC8228LUM	Fastener	4	
3 MWC8447	Bracket fixing	2	
4 MUC5088LUM	Rail grab	2	Rear
5 MUC5486LUM	Rail grab	2	Front
6 MWC9640	Insert	8	
7 MWC9822	Insert	2	
8 AD610084	Screw	8	
9 AL610011L	Nut	8	
10 392267LUM 393182LUM	Retainer RH Retainer LH	1 1	
11 AB608031L	Screw	8	
<b>MA647645 On.</b>			
12 BTR8668LUM	Finisher headlining	1	NO ALARM
BTR8669LUM	Finisher headlining	1	ALARM
13 BTR9905	Nut	A/R	

Note(1) COLOUR CODE. LUM - Mist grey.

**Model** RANGE ROVER 1992 onwards  
**Page** BDPXKC1A

**BODY - SUN VISORS.**

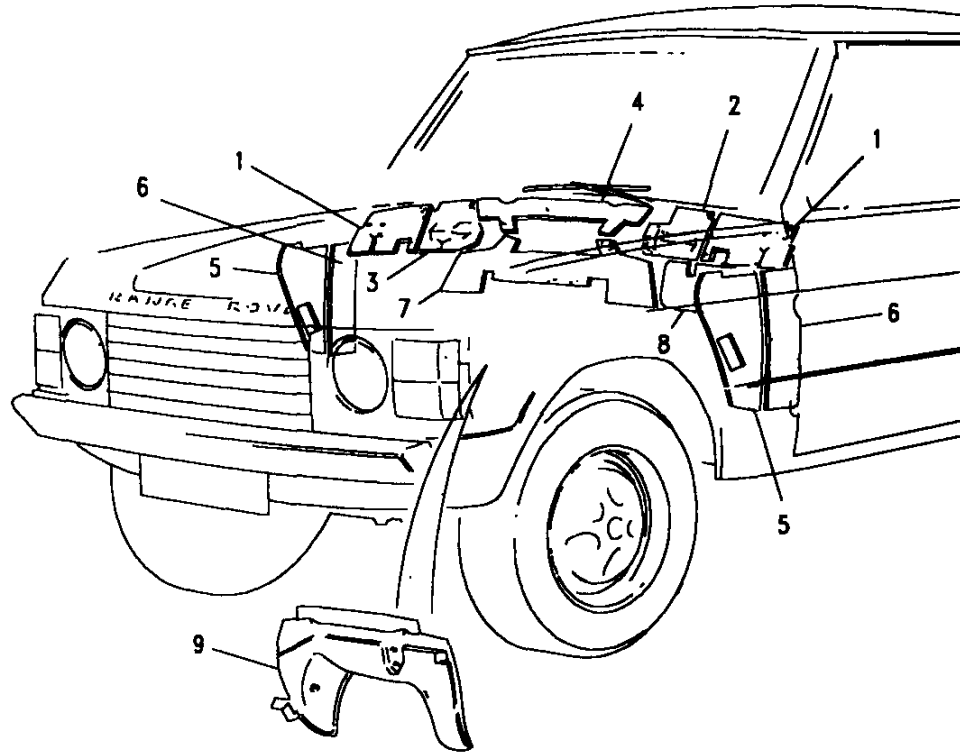
III. Part No.	Description	Qty	Remarks
<b>Vanity mirror - LHS</b>			
1 MWC4386LUM	Sunvisor RH	1	
BTR9408LUM	Sunvisor RH	1	Note(1)
<b>Vanity mirror - RHS</b>			
MWC4387LUM	Sunvisor LH	1	
BTR9409LUM	Sunvisor LH	1	Note(1)
<b>Ticket pocket - RHS</b>			
1 MWC4388LUM	Sunvisor RH	1	
BTR9410LUM	Sunvisor RH	1	Note(1)
<b>Ticket pocket - LHS</b>			
MWC4389LUM	Sunvisor LH	1	
BTR9411LUM	Sunvisor LH	1	Note(1)
<b>All variants</b>			
2 392954LUM	Retaining Hook	1	
3 AB608061L	Drive Screw	2	
4 391537LUM	Packing Plate	2	
5 AD610083	Drive Screw	6	
6 NTC7294	Pad Rubber	A/R	



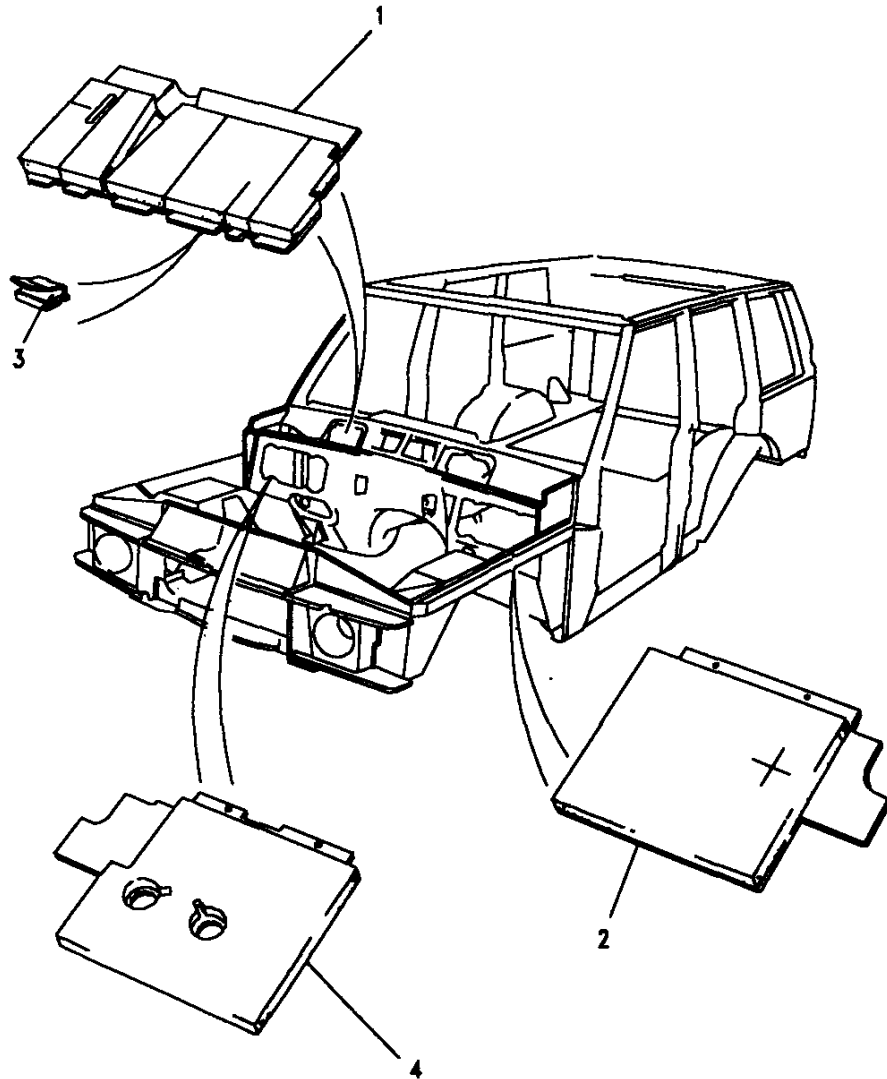
Note(1) From MA647645.  
 Note(2) COLOUR CODE. LUM - Mist grey.

**Model** RANGE ROVER 1992 onwards  
**Page** BDPXMA1A

**INSULATION - SOUND DEADENING PADS Up To LA647644**



III. Part No.	Description	Qty	Remarks
1 MWC2640	Insulation heater RH	1	
MWC2641	Insulation heater LH	1	
2 MUC2902	Insulation heater RH	1	
3 MUC2901	Insulation heater LH	1	
4 393031	Insulation heater	1	
5 MUC9489	Insulation sides	2	
6 MWC4803	Insulation toebox	2	
7 MWC2645	Insulation heater	1	
8 MWC2693	Insulation dash	1	
9 MWC4567	Insulation dash	1	



**Model** RANGE ROVER 1992 onwards  
**Page** BDPXMA2A

**INSULATION - FACIA DECKER PANEL & DASH Up To LA647644**

III. Part No.	Description	Qty	Remarks
<b>Petrol vehicles</b>			
1 MWC6401	Insulation bulkhead	1	
2 MUC8977	Insulation bulkhead	1	
3 BTR9437	Clip	4	
4 BTR2473	Insulation facia	1	LHS
BTR2474	Insulation facia	1	RHS
<b>Diesel vehicles</b>			
1 MUC4230	Insulation bulkhead	1	
2 MWC7681	Insulation bulkhead	1	LHS
MWC7682	Insulation bulkhead	1	RHS
3 BTR9437	Clip	4	
4 MUC8976	Insulation facia	1	RHS
MUC8977	Insulation facia	1	LHS



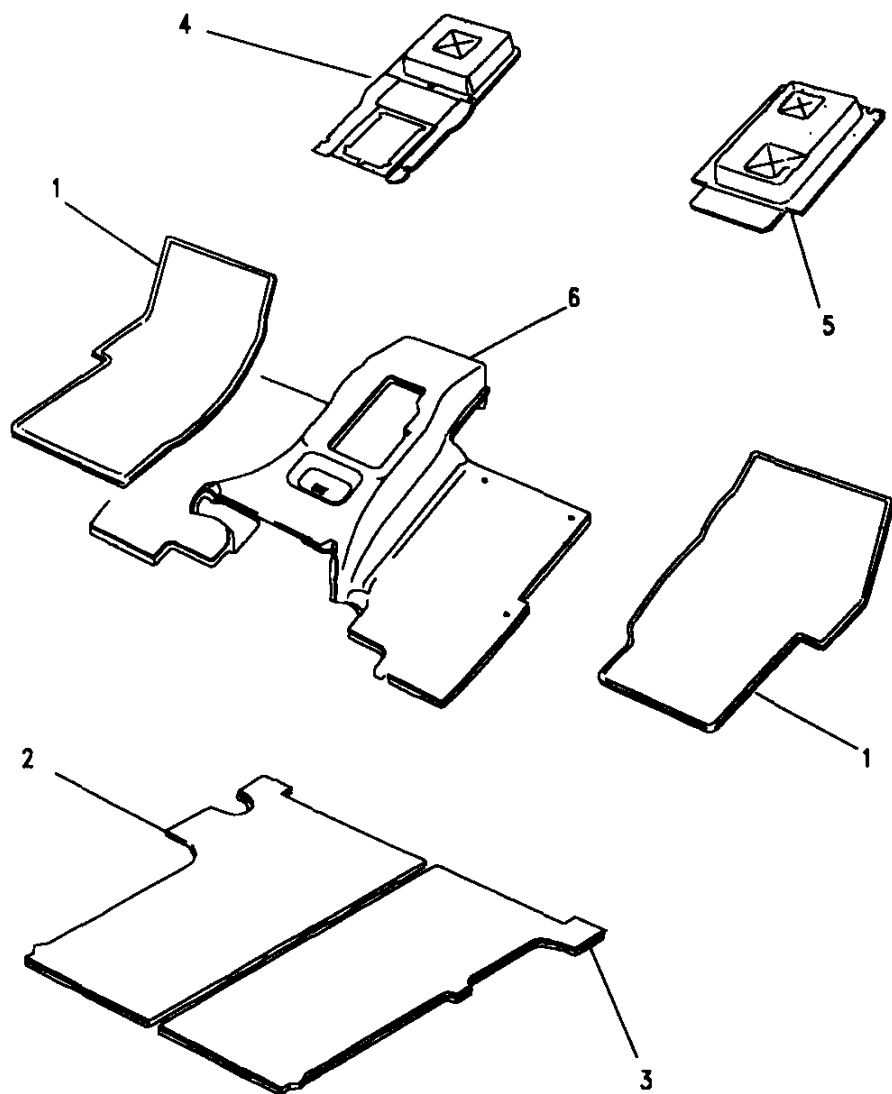
**Model** RANGE ROVER 1992 onwards

**Page** BDPXMA5A

**INSULATION - TUNNEL, FRONT & REAR FLOOR Up To LA647644**

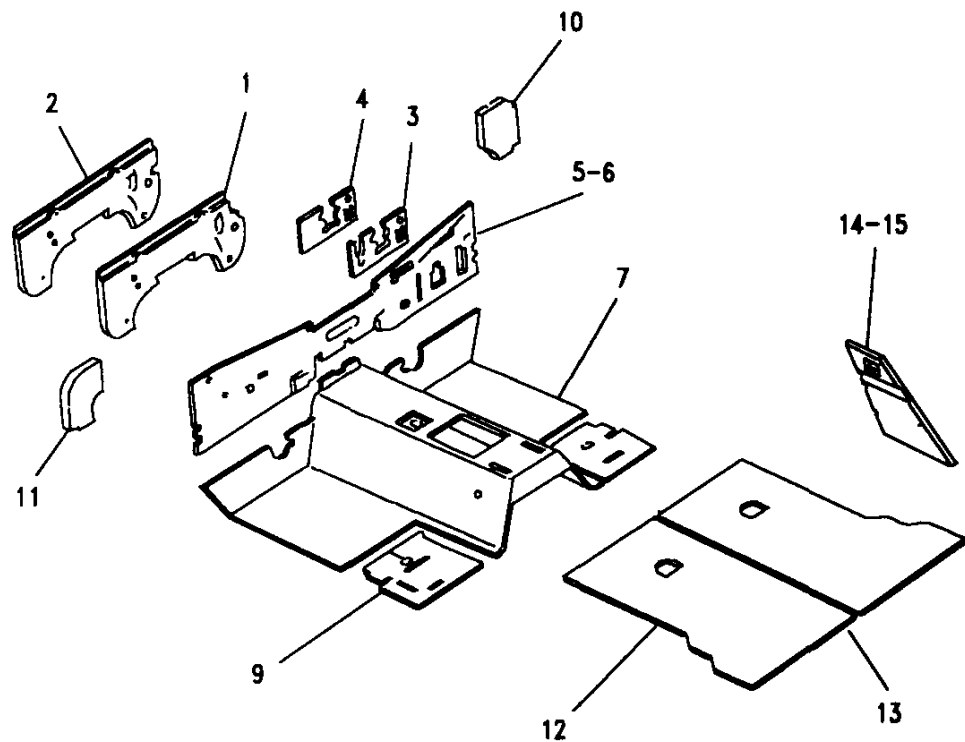
III. Part No.	Description	Qty	Remarks
<b>Diesel vehicles</b>			
1 MXC7576PCH	Insulation floor RH	1	
1 MXC7575PCH	Insulation floor LH	1	
<b>Petrol vehicles</b>			
1 MXC7578PCH	Insulation floor RH	1	
1 MXC7577PCH	Insulation floor LH	1	
<b>All variants</b>			
2 BTR319	Insulation floor RH	1	Note(1)
1 BTR5890	Insulation floor RH	1	Note(2)
3 BTR318	Insulation floor LH	1	Note(1)
1 BTR5430	Insulation floor LH	1	Note(2)
4 BTR375	Insulation gear change	1	Automatic
5 BTR374	Insulation gear change	1	Manual
6 BTR8559	Insulation tunnel	1	

Note(1) Up to JA624755  
 Note(2) From KA624756



**Model** RANGE ROVER 1992 onwards  
**Page** BDPXMA5B

**TRIM - INSULATION MA647645 On.**



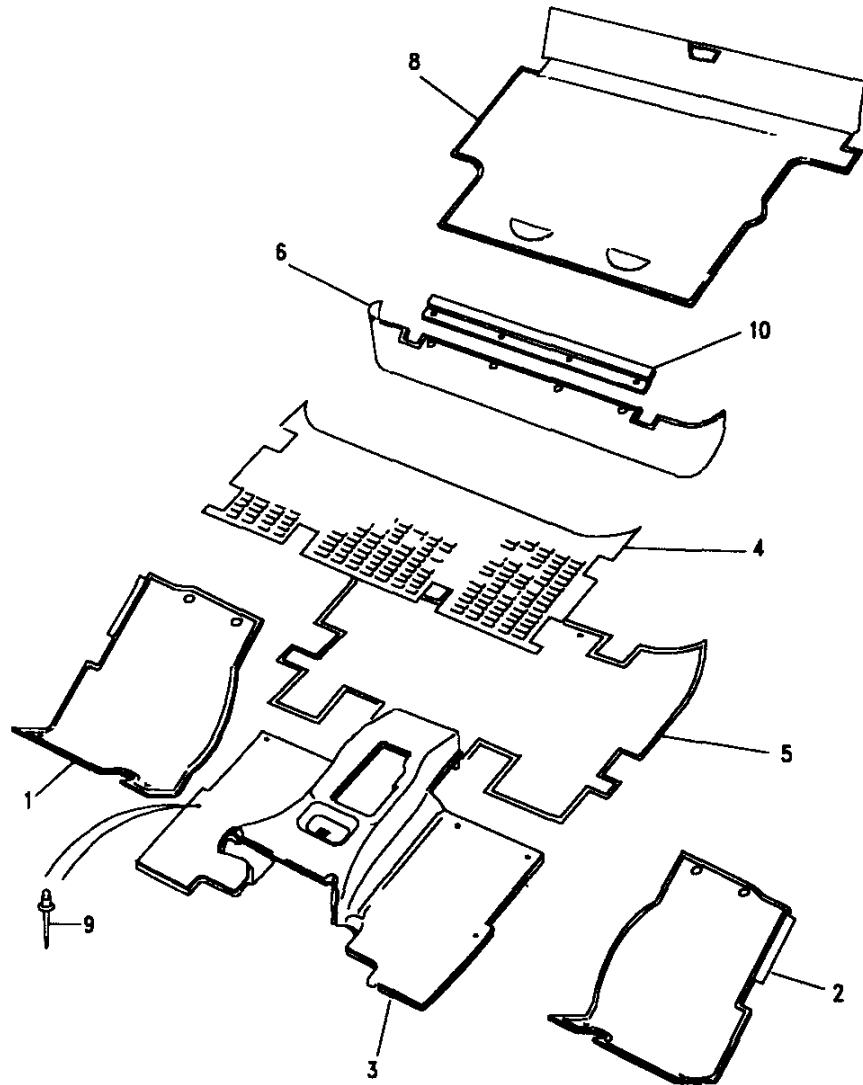
III. Part No.	Description	Qty	Remarks
1 BTR9369	Insulation Pass Side	1	RHD
2 BTR9368	Insulation Pass Side	1	LHD
3 BTR8400	Insulator pedal box	1	Man
4 BTR8402	Insulator pedal box	1	Auto
5 BTR4871	Insulation bulkhead	1	Petrol
6 BTR4872	Insulation bulkhead	1	Diesel
7 BTR9380	Insulation tunnel	1	
8 BTR4868	Insulation RH	1	
9 BTR4867	Insulation LH	1	
10 BTR4857	Insulation bulkhead LH	1	
11 BTR4858	Insulation bulkhead RH	1	
12 BTR5430	Insulation loadspace LH	1	
13 BTR5890	Insulation loadspace RH	1	
14 BTR4862	Insulation E post RH	1	
15 BTR4861	Insulation E post LH	1	

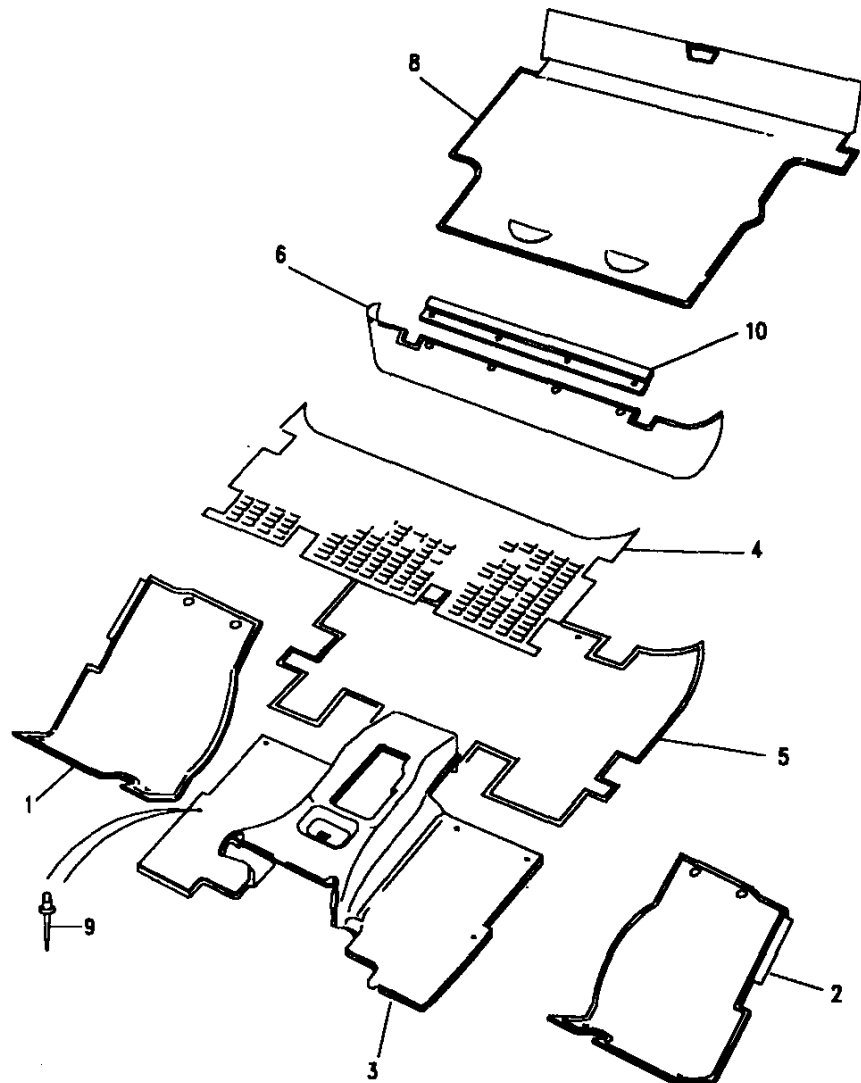
Note(1) Heelboard insulation is bonded to the carpet

**Model** RANGE ROVER 1992 onwards  
**Page** BDPXMA6A

**CARPETS - FRONT,CENTRE & LOADSPACE Up To LA647644**

III. Part No.	Description	Qty	Remarks
1	MXC7564AUE	1	Carpet front RH
	MXC7564LUL	1	Carpet front RH
2	MXC7563AUE	1	Carpet front LH
	MXC7563LUL	1	Carpet front LH
<b>Up to JA624755</b>			
3	BTR1793AUE	1	Carpet/insulation tunnel
	BTR1793LUL	1	Carpet/insulation tunnel
<b>From KA624756 Up to KA628503</b>			
3	BTR4930AUE	1	Carpet tunnel
	BTR4930LUL	1	Carpet tunnel
	BTR4930RWD	1	Carpet tunnel
	BTR4930AUK	1	Carpet tunnel





**Model** RANGE ROVER 1992 onwards  
**Page** BDPXMA6A

**CARPETS - FRONT,CENTRE & LOADSPACE Up To LA647644**

Ill. Part No.	Description	Qty	Remarks
<b>From KA628503 - RHS</b>			
3	BTR6968AUE	1	)
	BTR6968LUL	1	)Note(1)
	BTR6968RWD	1	)
	BTR6968AUK	1	)
	BTR8568AUE	1	)
	BTR8568LUL	1	)
	BTR8568RWD	1	)Note(2)
<b>From KA628503 - LHS</b>			
3	BTR6969AUE	1	)
	BTR6969LUL	1	)Note(1)
	BTR6969RWD	1	)
	BTR6969AUK	1	)
	BTR8567AUE	1	)
	BTR8567LUL	1	)Note(2)
	BTR8567RWD	1	)

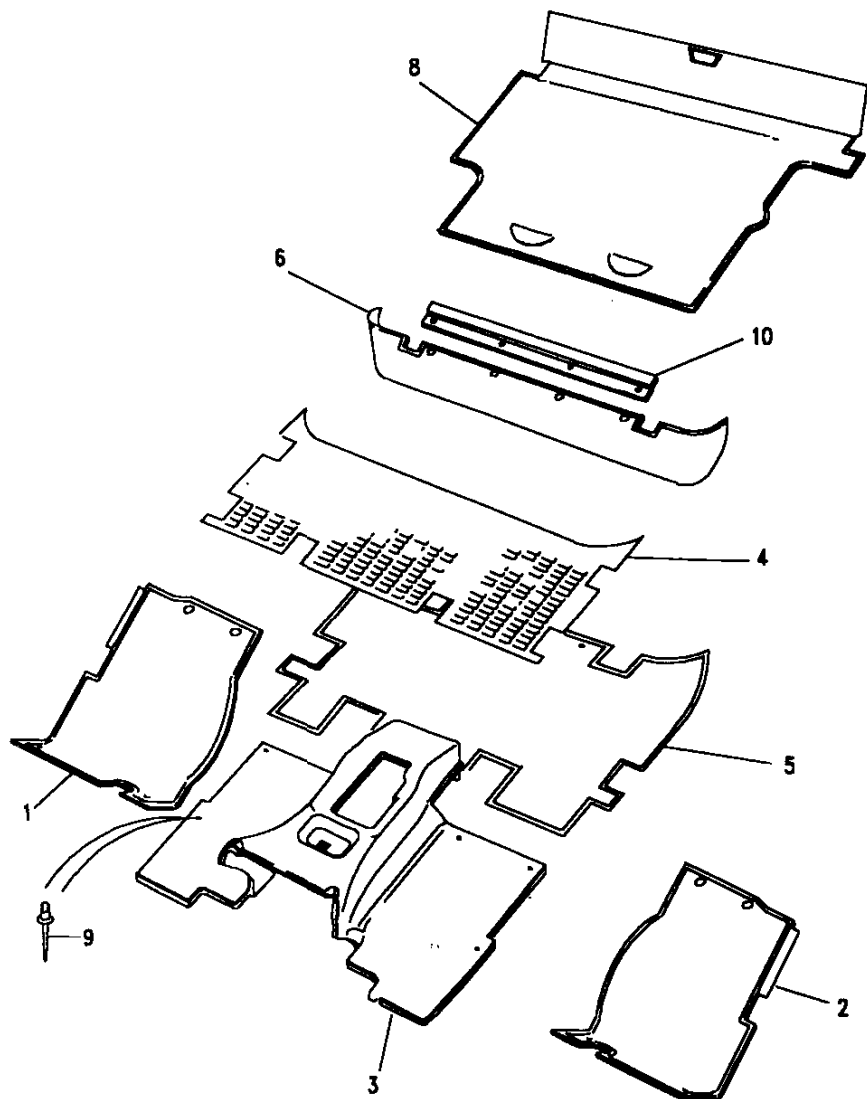
Note(1) Up to KA639891  
 Note(2) From KA639892  
 Note(3) COLOUR CODE AUE - Brogue, LUL - Winchester grey, RWD - Sable, AUK - Tan.

**Model** RANGE ROVER 1992 onwards  
**Page** BDPXMA6A

**CARPETS - FRONT,CENTRE & LOADSPACE Up To LA647644**

III. Part No.	Description	Qty	Remarks
<b>2 Door</b>			
4 BTR656	Mat rear passenger	1	
5 MXC7560AUE	Carpet rear passenger	1	Note(1)
BTR4933AUE	Carpet rear passenger	1	Note(2)
<b>4 Door</b>			
4 BTR655	Mat rear passenger	1	Note(2)

Note(1) Up to JA624755  
 Note(2) From KA624756  
 Note(3) COLOUR CODE. AUE - Brogue, LUL - Winchester grey. RWD - Sable, AUK - Tan, LNF - Ash grey, LOY - Dark granite.

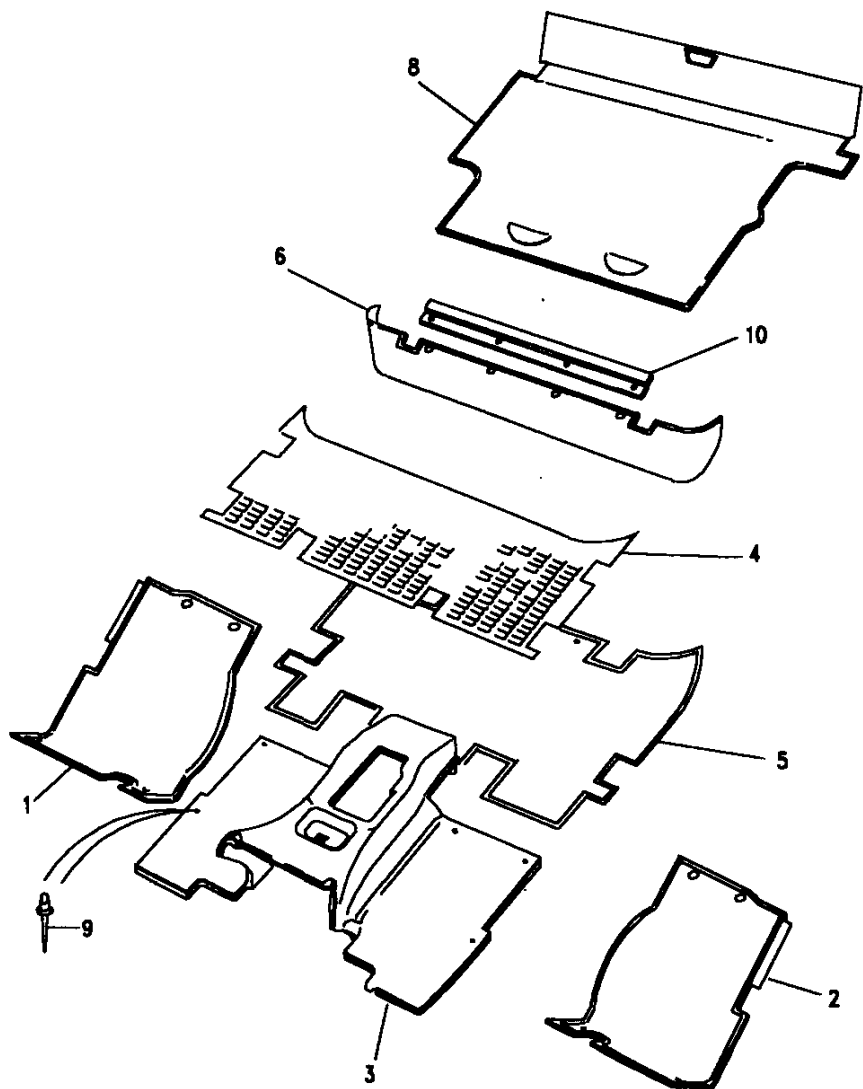


**Model** RANGE ROVER 1992 onwards  
**Page** BDPXMA6A

**CARPETS - FRONT,CENTRE & LOADSPACEUp To LA647644**

Ill. Part No.	Description	Qty	Remarks
<b>All variants</b>			
5	MXC7643AUE	1	Carpet Rear Passenger
	MXC7643LUL	1	Carpet Rear Passenger
	MXC7643RWD	1	Carpet Rear Passenger
	BTR4934AUK	1	Carpet Rear Passenger
6	MXC7641AUE	1	Carpet heelboard
	MXC7641LUL	1	Carpet heelboard )Note(3)
<b>2 Door only</b>			
6	BTR4933AUE	1	Carpet heelboard/floor )Note(1)
	BTR8555AUE	1	Carpet heelboard/floor )Note(2)
	BTR8651AUE	1	Carpet heelboard/floor Portugal LE
<b>4 Door only</b>			
6	BTR4932AUE	1	Carpet heelboard/floor )
	BTR4932LUL	1	Carpet heelboard/floor )
	BTR4932RWD	1	Carpet heelboard/floor )Note(1)
	BTR8554AUE	1	Carpet heelboard/floor )
	BTR8554LUL	1	Carpet heelboard/floor )Note(2)
	BTR8554RWD	1	Carpet heelboard/floor )

Note(1) Up To KA639891  
 Note(2) From KA639892  
 Note(3) From KA624756

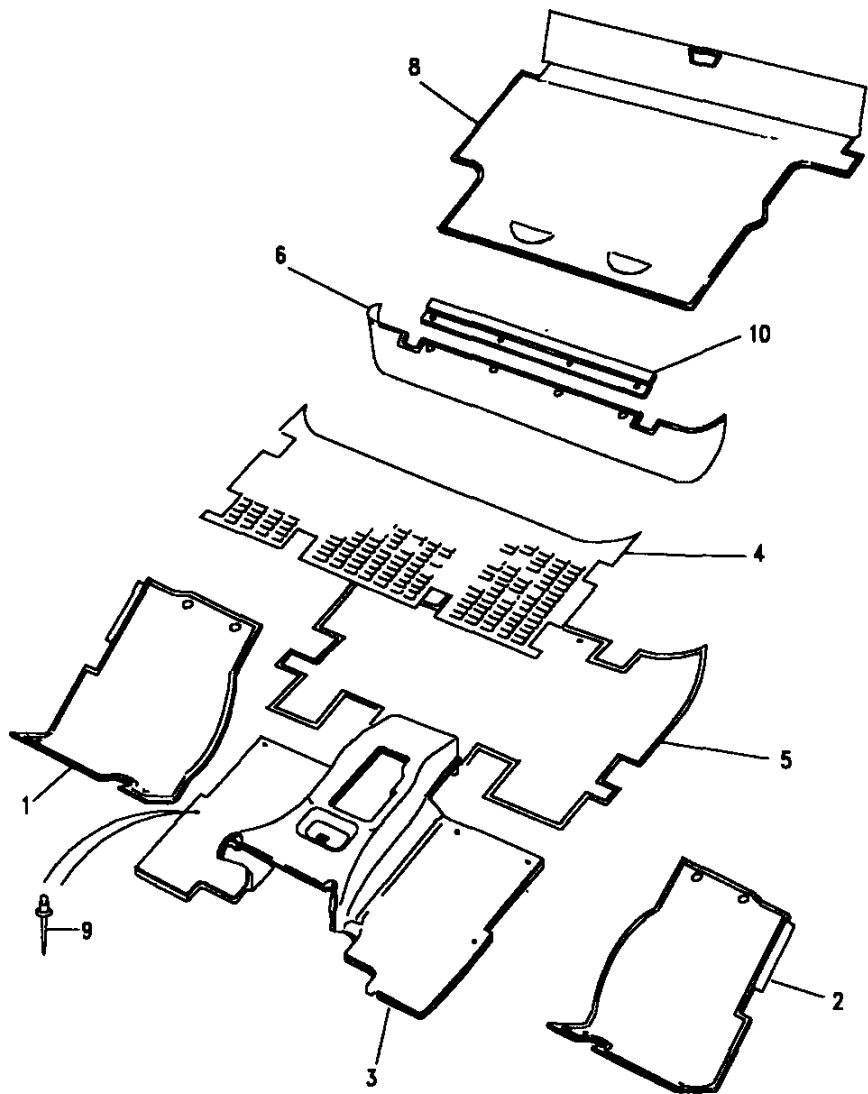


**Model** RANGE ROVER 1992 onwards  
**Page** BDPXMA6A

**CARPETS - FRONT,CENTRE & LOADSPACE Up To LA647644**

III. Part No.	Description	Qty	Remarks
<b>108"LWB only</b>			
6 BTR4934AUK	Carpet heelboard/floor	1	)
BTR4934RWD	Carpet heelboard/floor	1	)Note(1)
BTR8556AUE	Carpet heelboard/floor	1	)
BTR8556RWD	Carpet heelboard/floor	1	)Note(2)

Note(1) Up to KA639891  
 Note(2) From KA639892

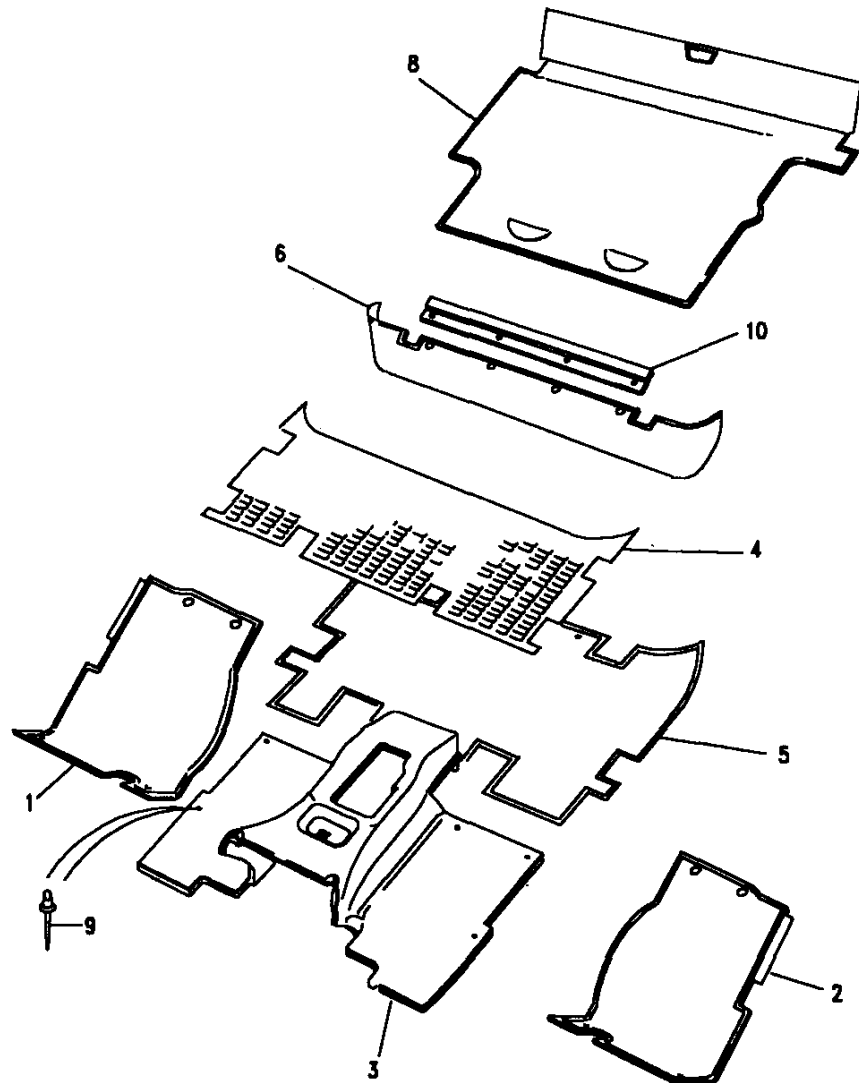


**Model** RANGE ROVER 1992 onwards  
**Page** BDPXMA6A

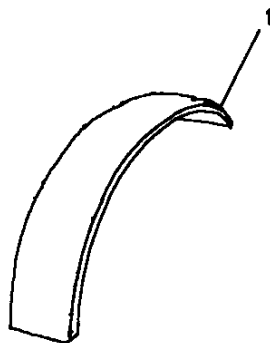
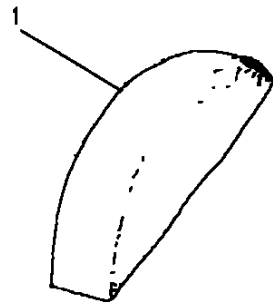
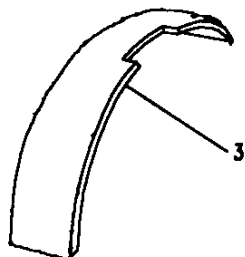
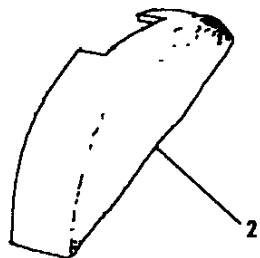
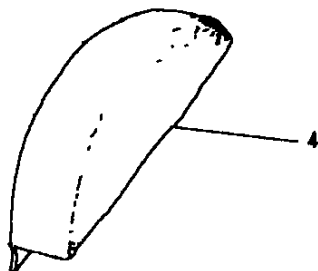
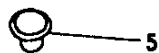
**CARPETS - FRONT,CENTRE & LOADSPACE Up To LA647644**

III. Part No.	Description	Qty	Remarks
<b>All variants</b>			
BTR4875	Insulation heelboard	1	
7 MWC6911	Clip	2	
8 BTR877AUE	Carpet loadspace/tailgate	1	)
BTR877LUL	Carpet loadspace/tailgate	1	
BTR5375AUE	Carpet loadspace/tailgate	1	)Note(1)
BTR5375LUL	Carpet loadspace/tailgate	1	
BTR5375RWD	Carpet loadspace/tailgate	1	)Note(2)
BTR5375AUK	Carpet loadspace/tailgate	1	
9 AFU4155L	Rivet	1	A/R
10 MWC6062P	Finisher	1	

Note(1) Up to JA624755  
 Note(2) From KA624756  
 Note(3) From MA647645  
 Note(4) COLOUR CODE. AUE - Brogue, LUL - Winchester grey. RWD - Sable, AUK - Tan, P - Primered condition.





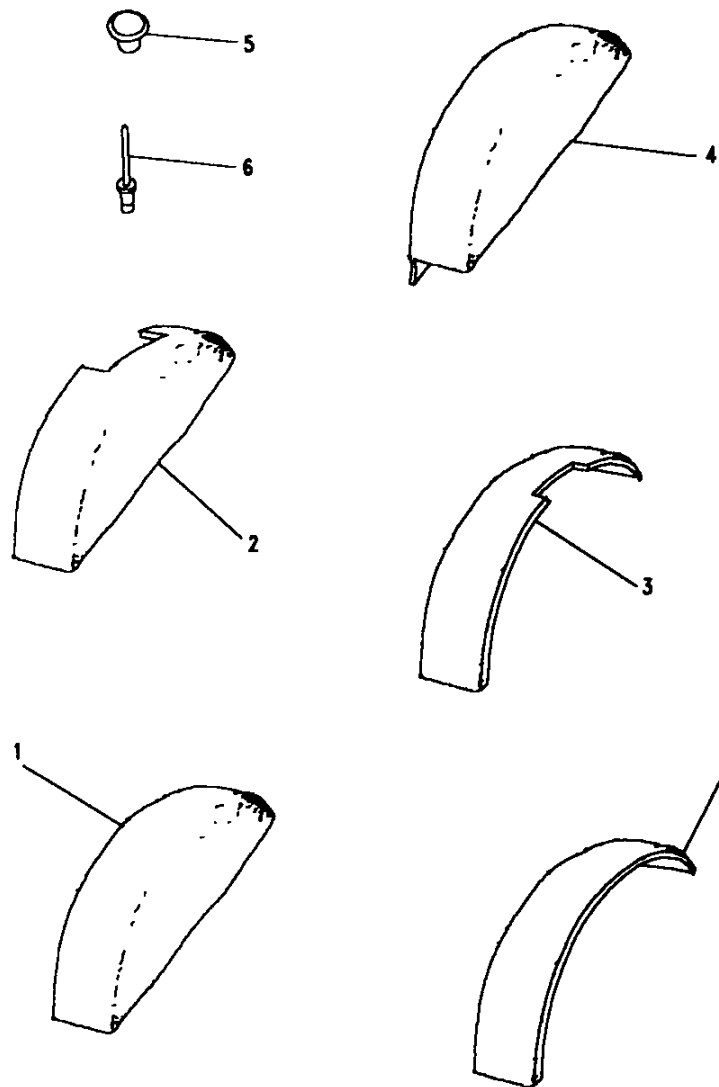


**Model** RANGE ROVER 1992 onwards  
**Page** BDPXMA7A

**CARPETS - WHEELARCH & SPARE WHEEL Up To LA647644**

III. Part No.	Description	Qty	Remarks
<b>2 Door</b>			
1	MTC6916AUE	2	Note(1)
	BTR5888AUE	1	)
	BTR5889AUE	1	)Note(2)
<b>4 Door - right hand side</b>			
2	MTC9320AUE	1	)
	MTC9320LUL	1	)Note(1)
	BTR5886AUE	1	)
	BTR5886LUL	1	)Note(2)
	BTR5886RWD	1	)
	BTR5886AUK	1	)
<b>4 Door - left hand side</b>			
3	MTC9319AUE	1	)
	MTC9319LUL	1	)Note(1)
	BTR5887AUE	1	)
	BTR5887LUL	1	)Note(2)
	BTR5887RWD	1	)
	BTR5887AUK	1	)

Note(1) Up to JA624755  
 Note(2) From KA624756  
 Note(3) COLOUR CODE. AUE - Brogue, LUL - Winchester grey. RWD - Sable, AUK - Tan,

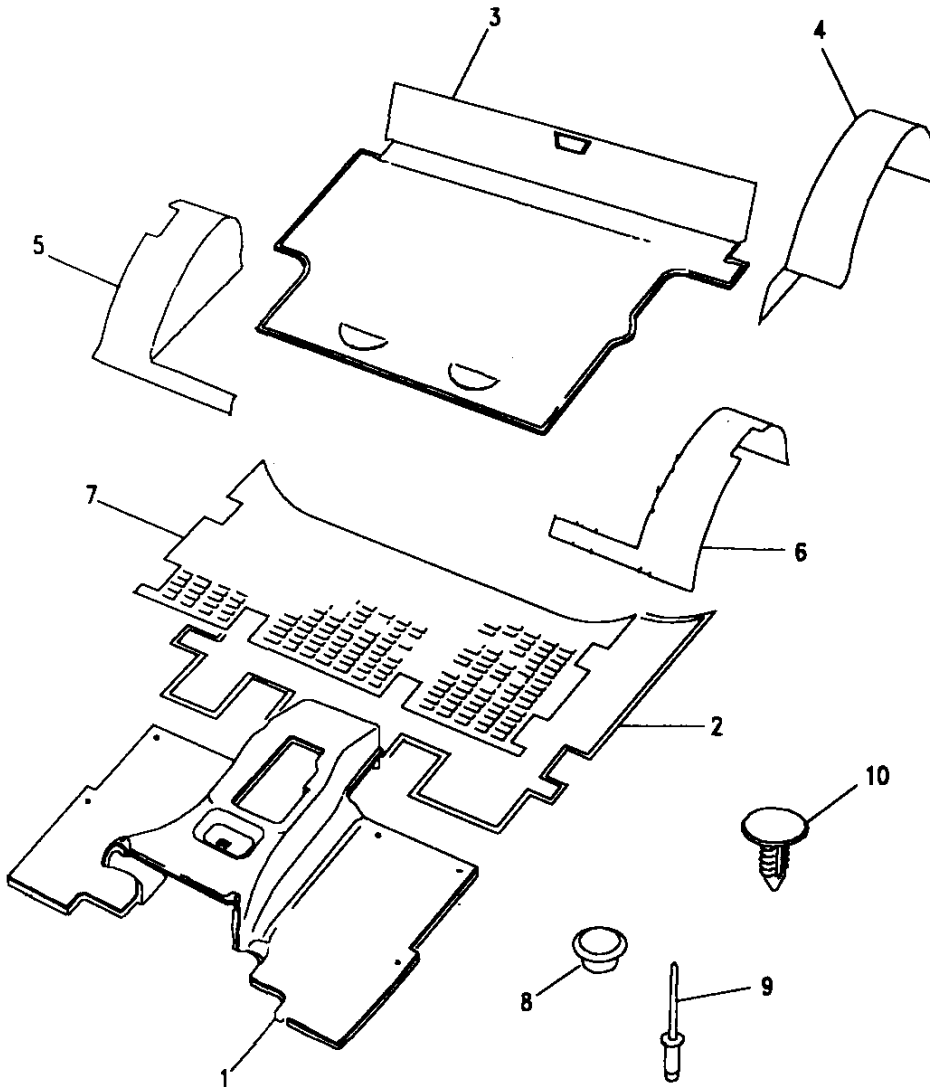


**Model** RANGE ROVER 1992 onwards  
**Page** BDPXMA7A

**CARPETS - WHEELARCH & SPARE WHEEL Up To LA647644**

Ill. Part No.	Description	Qty	Remarks
4	BTR1312AUE	1	) Note(1)
	BTR1312LUL	1	
	BTR1312RWD	1	
	BTR1312AUK	1	
	BTR8638AUE	1	
<b>All variants</b>			
5	MXC5616SUA	17	
	MXC5616LUL	17	
	MXC5616RWD	17	
6	AFU4155L	17	

Note(1) Up to LA647644  
 Note(2) COLOUR CODE. AUE - Brogue LUL - Winchester grey SUA - Sorrell brown RWD - Sable AUK - Tan



**Model** RANGE ROVER 1992 onwards  
**Page** BDPXMA8A

**CARPETS - FROM MA647645**

III. Part No.	Description	Qty	Remarks
<b>RHS</b>			
1 BTR8772AUE	Carpet front floor	1	
BTR8772LNF	Carpet front floor	1	
BTR8772LOY	Carpet front floor	1	
<b>LHS</b>			
BTR8773AUE	Carpet front floor	1	
BTR8773LNF	Carpet front floor	1	
BTR8773LOY	Carpet front floor	1	
<b>100"</b>			
2 AWR1997AUE	Carpet heelboard/floor	1	)Note(1)
AWR1997LNF	Carpet heelboard/floor	1	)
AWR1997LOY	Carpet heelboard/floor	1	)
<b>108"LWB</b>			
2 AWR1998AUE	Carpet heelboard/floor	1	)Note(1)
AWR1998LNF	Carpet heelboard/floor	1	)
AWR1998LOY	Carpet heelboard/floor	1	)

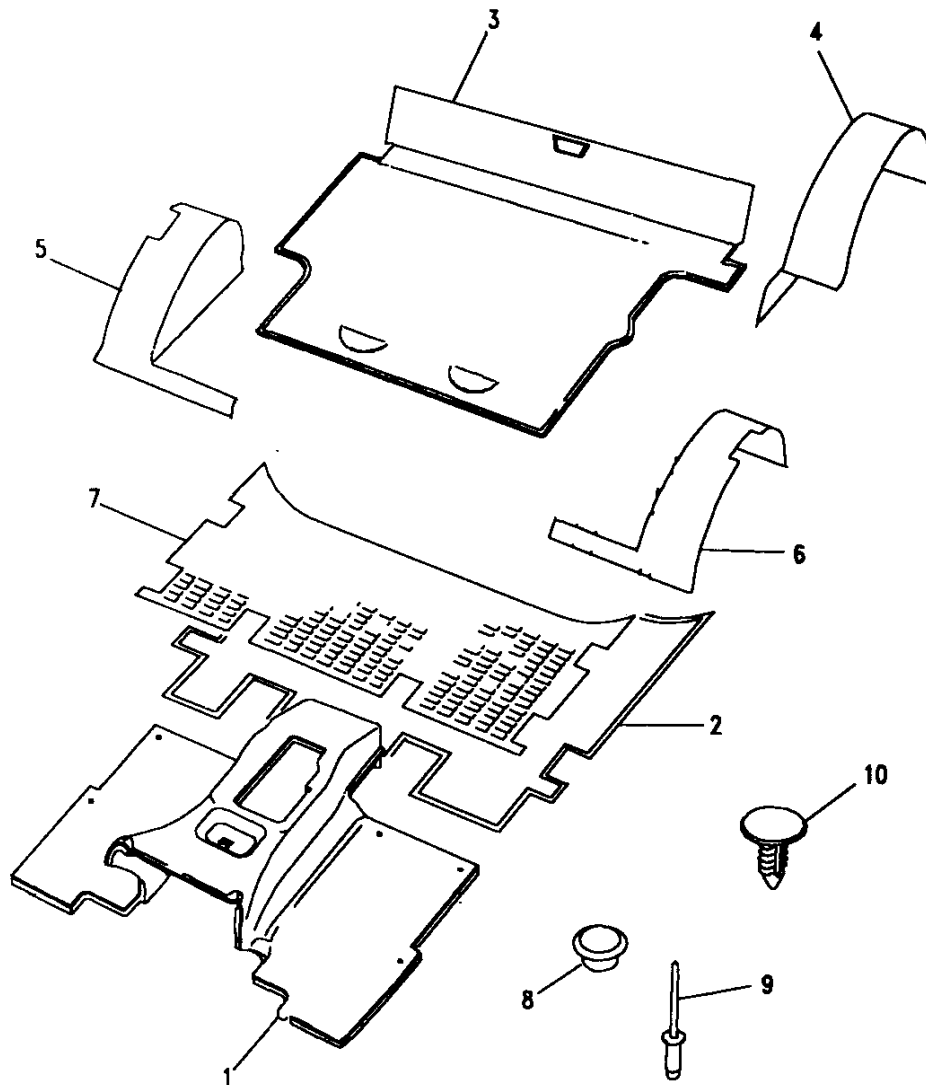
Note(1) Carpet is complete with insulation.  
 Note(2) COLOUR CODE AUE - Brogue, LNF - Ash grey, LOY - Dark granite.

Model RANGE ROVER 1992 onwards  
 Page BDPXMA8A

**CARPETS - FROM MA647645**

III. Part No.	Description	Qty	Remarks
<b>All Variants.</b>			
3	BTR5375AUE	1	Carpet loadspace/tailgate
	BTR5375LNF	1	Carpet loadspace/tailgate
	BTR5375LOY	1	Carpet loadspace/tailgate
4	BTR8638AUE	1	Carpet spare wheel
	BTR8638LNF	1	Carpet spare wheel
	BTR8638LOY	1	Carpet spare wheel
5	BTR5886AUE	1	Carpet wheelarch RH
	BTR5886LNF	1	Carpet wheelarch RH
	BTR5886LOY	1	Carpet wheelarch RH
6	BTR5887AUE	1	Carpet wheelarch LH
	BTR5887LNF	1	Carpet wheelarch LH
	BTR5887LOY	1	Carpet wheelarch LH
7	BTR4874	1	Mat rear passenger
8	MXC5616LNF	17	Finisher
	MXC5616LOY	17	Finisher
9	AFU4155L	17	Rivet
10	YOO4633PMP	4	Fastener

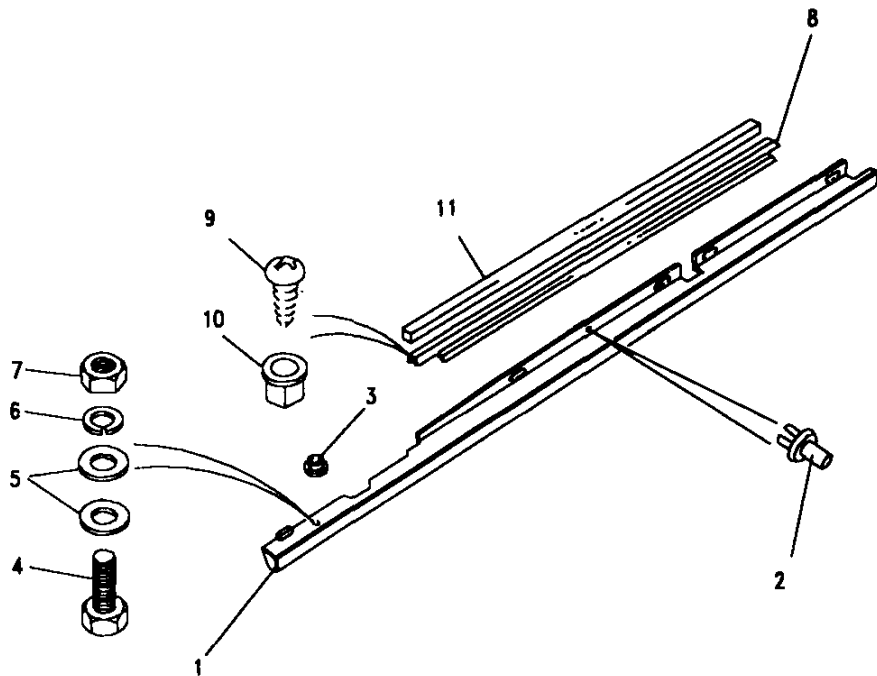
Note(1) COLOUR CODE AUE - Brogue, LNF - Ash grey, LOY - Dark granite.



**Model** RANGE ROVER 1992 onwards  
**Page** BDPXRA1A

**INSULATION AND CARPETS - SILL FINISHERS & TREAD PLATES.**

III. Part No.	Description	Qty	Remarks
<b>2 Door</b>			
1	STC1828	1	Finisher sill RH
	STC1829	1	Finisher sill LH
2	79086	10	Rivet
3	390586	2	Spacer
	390585	2	Spacer
4	SH604081L	4	Screw
5	RTC618	8	Washer plain
6	WM600041L	4	Washer spring
7	NH604041L	4	Nut
8	MXC1706	1	Tread plate RH
	MXC1707	1	Tread plate LH
9	AC610081L	10	Screw
10	RTC3746	20	Lokut nut
11	MTC2342	2	Seal dust



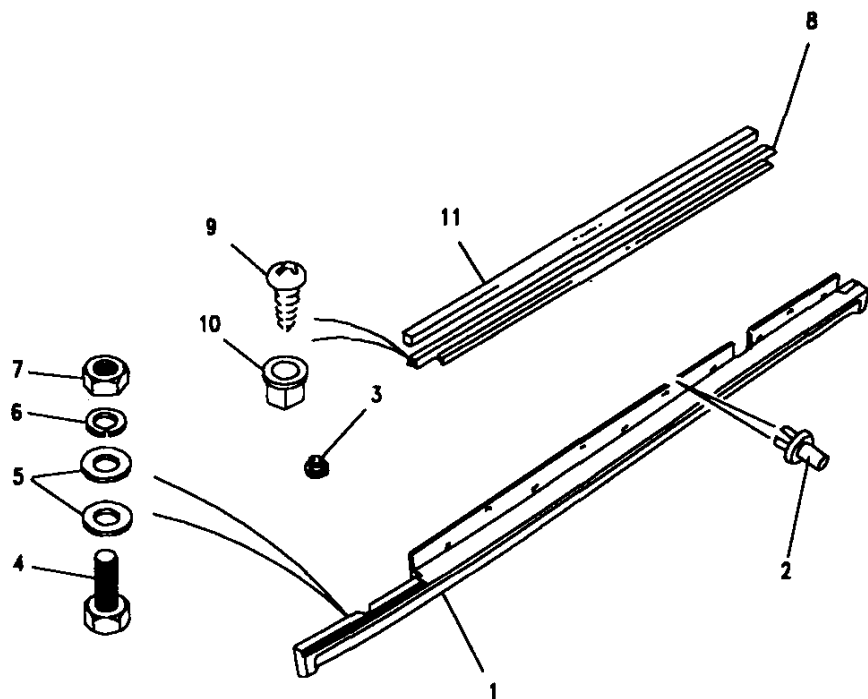
Note(1) Up to KA639891  
 Note(2) From KA639892

**Model** RANGE ROVER 1992 onwards  
**Page** BDPXRA2A

**CARPETS - SILL FINISHERS & TREAD PLATES.**

III. Part No.	Description	Qty	Remarks
<b>4 Door</b>			
1	BTR1686PUB	1	)
	BTR1687PUB	1	)Note(1)
	BTR5704PUB	1	)
	BTR5703PUB	1	)Note(2)
<b>108" L.W.B. only</b>			
	BTR2045PUB	1	
	BTR2046PUB	1	
<b>All variants</b>			
2	79086	12	
3	390585	2	Front
4	SH604051L	2	
5	3900L	4	
6	WM600041L	2	
7	NH604041L	2	
<b>All variantsfront</b>			
8	MTC3877	1	)Front
	MTC3878	1	)Note(3)
	BTR8220PUB	2	Note(4)

Note(1) Up to JA623520  
 Note(2) From JA623521  
 Note(3) Up to KA639891  
 Note(4) From KA639892  
 Note(5) COLOUR CODE. PUB - Black.



**Model** RANGE ROVER 1992 onwards  
**Page** BDPXRA2A

**CARPETS - SILL FINISHERS & TREAD PLATES.**

**III. Part No. Description Qty Remarks**

**All non 108" L.W.B. only**

8	MTC3879	Tread plate LH	1	)
	MTC3880	Tread plate RH	1	)Note(1)
	BTR8221PUB	Tread plate LH	1	)
	BTR8222PUB	Tread plate RH	1	)Note(2)

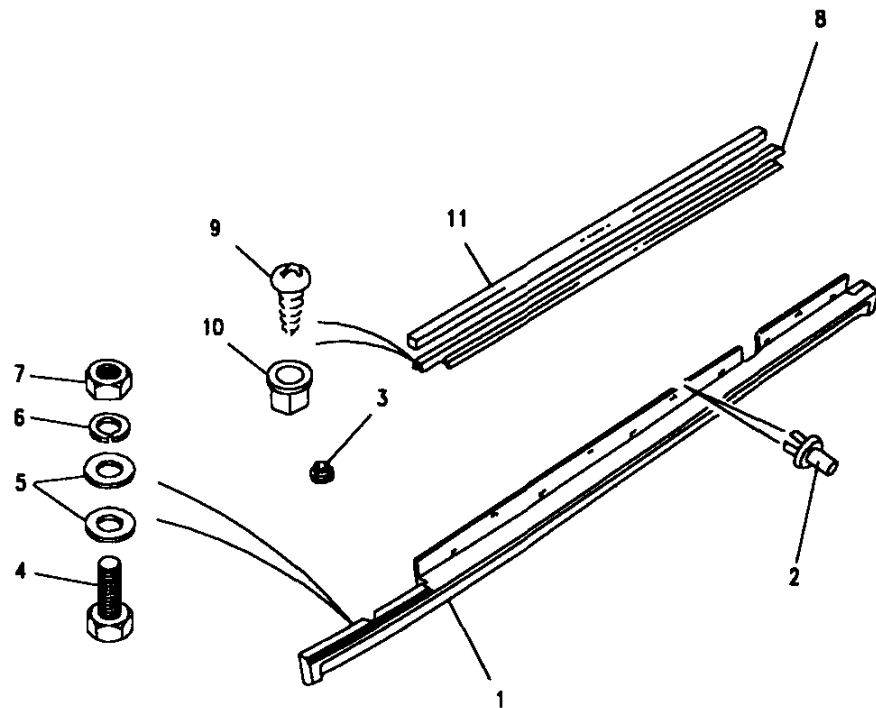
**108" L.W.B. only**

8	BTR1987	Tread plate LH	1	)
	BTR1988	Tread plate RH	1	)Note(1)
	BTR8229PUB	Tread plate LH	1	)
	BTR8230PUB	Tread plate RH	1	)Note(2)

**Fixings front & rear treadstrips**

9	AC610081L	Screw	14	
10	RTC3746	Nut	14	
11	MTC2342	Seal dust	4	

Note(1) Up to KA639891  
 Note(2) From KA639892  
 Note(3) COLOUR CODE. PUB - Black.



## MASTER INDEX

	PAGES
INTRODUCTION PAGES	1 - 3
ALPHABETICAL INDEX	4 - 9
ENGINE	10 - 50
ENGINE	51 - 88
ENGINE	89 - 133
ENGINE	134 - 172
GEARBOX	173 - 194
GEARBOX	195 - 211
GEARBOX	212 - 238
TRANSFER BOX	239 - 252
AXLES AND SUSPENSION	253 - 313
STEERING	314 - 332
VEHICLE AND ENGINE CONTROLS	333 - 343
BRAKES	344 - 374
FUEL SYSTEM AND AIR CLEANER	375 - 401
EXHAUST SYSTEM	402 - 409
COOLING/HEATING	410 - 456
BODY ELECTRICAL	457 - 574
BODY AND CHASSIS	575 - 681
INTERIOR TRIM	682 - 772
SEATS	773 - 843
SEATS	844 - 862
STOWAGE	863 - 865
ACCESSORIES - PAINTS	866 - 893
NUMERICAL INDEX	895 - 958

## GROUP R

## SEATS

## SEATS

PLINTH & FINISHERS	775 - 781
FRONT - NON HEATED - MANUAL - 2 DOOR.	782 - 783
FRONT - HEATED - MANUAL - 4 DOOR.	784
FRONT - HEATED - MANUAL - 4 DOOR	785
FRONT - HEATED - MANUAL - 4 DOOR.	786
FRONT - HEATED - MANUAL - 4 DOOR	787
FRONT - HEATED - MANUAL - 4 DOOR.	788 - 789
FRONT - MANUAL - AUSTRALIA SPECIAL EDITION	790 - 791
FRONT - ELECTRIC - 4 DOOR	792 - 803
FRONT - HEATED/MEMORY - LIGHTSTONE LEATHER	804 - 806
FRONT - HEATED - MEMORY - LSE ONLY - SADDLE	807 - 809
FRONT - HEATED - MEMORY - LSE ONLY - DARK SABLE	810 - 812
FRONT - 25th ANNIVERSARY Ltd EDITION GULF STATES	813 - 814
REAR BENCH TYPE SEATS	815 - 816
REAR SEATS - VELOUR	817 - 821
REAR SEATS - LEATHER	822 - 832
REAR SEATS - LEATHER - LSE ONLY - SADDLE	833 - 835
REAR SEATS - LEATHER - LSE ONLY - DARK SABLE	836 - 838
REAR - LIGHTSTONE LEATHER 1994 MODEL YEAR.	839 - 840
REAR - AUSTRALIA SPECIAL EDITION ONLY	841 - 842





RANGE ROVER 1992 onwards

774

SEATS

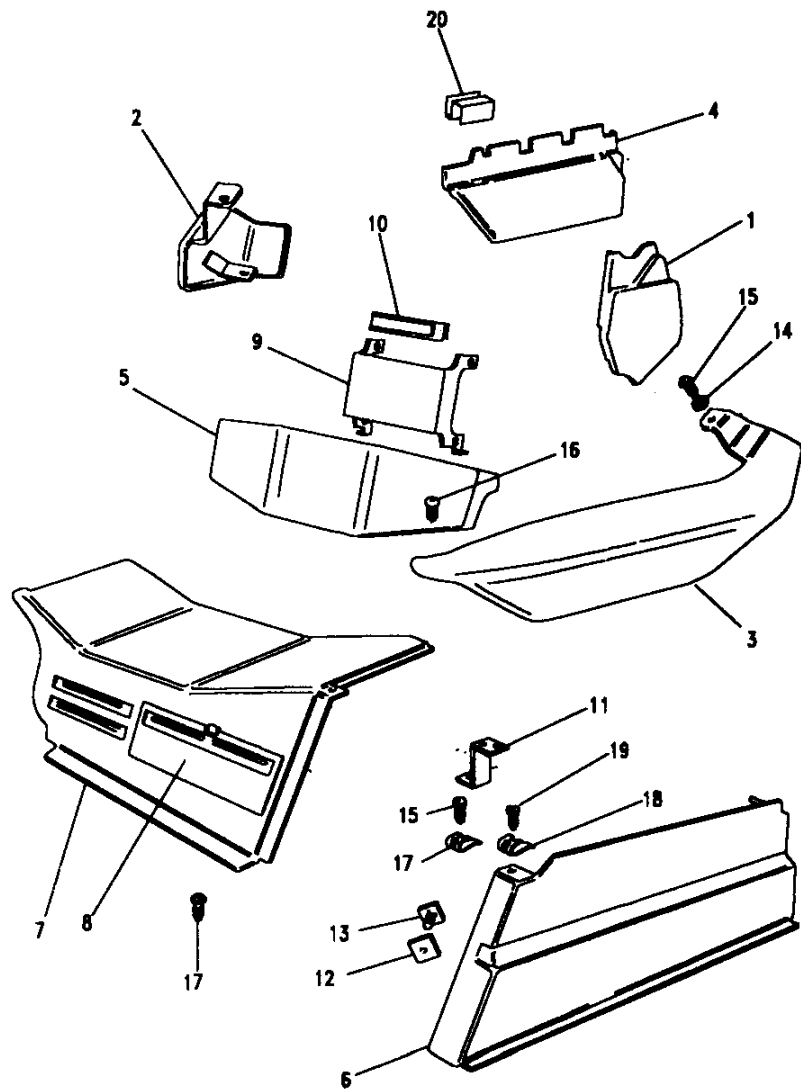
GROUP R

SEATS

SEATS

REAR SEATS 25th ANNIVERSARY EDITION GULF STATES ONLY	843 - 848
COVER PANEL & LOCK BENCH SEATS	849
REAR RELEASE MECHANISM	850 - 851
HEADRESTS.	852
HEADRESTS	853 - 854
HEADRESTS.	855
HEADRESTS - LIGHTSTONE LEATHER - 1994 MODEL YEAR On	856
HEADRESTS - 25th ANNIVERSARY GULF STATES ONLY	857
FRONT BELTS.	858 - 859
REAR BELT.	860
REAR BELT	861
REAR ANCHORAGE.	862



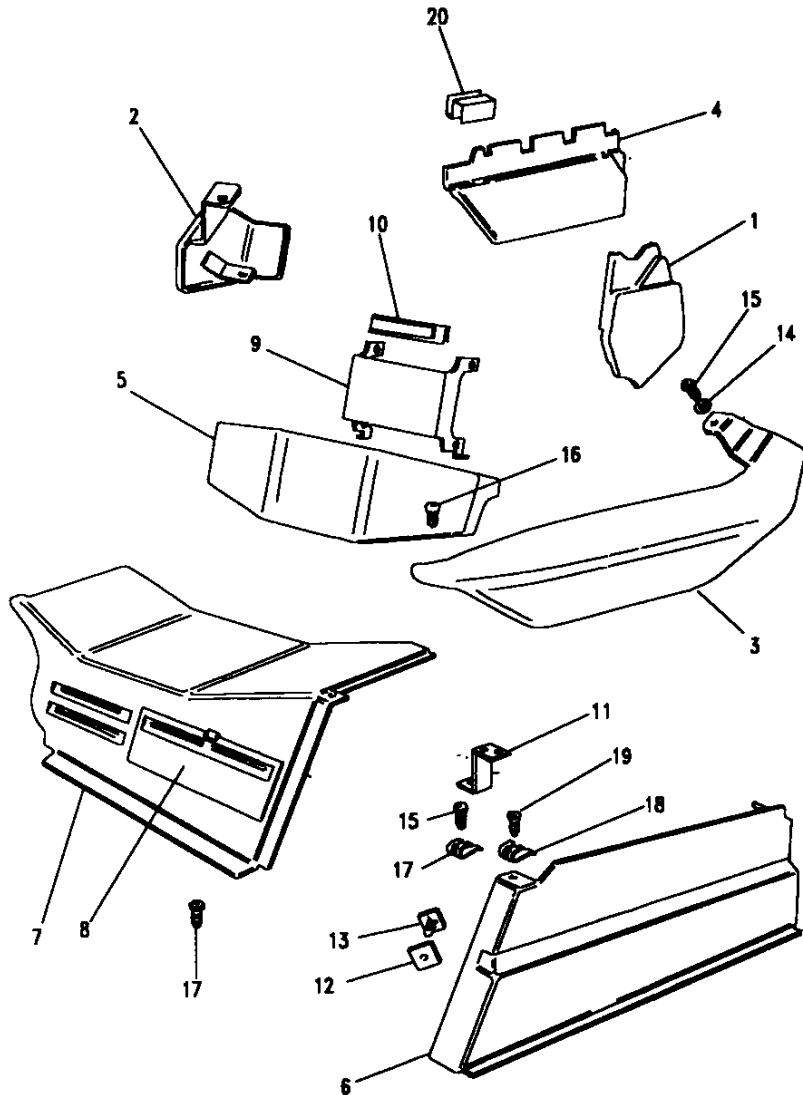


**Model** RANGE ROVER 1992 onwards  
**Page** BDRXAC1A

**SEATS - PLINTH & FINISHERS**

III. Part No.	Description	Qty	Remarks
<b>2 Door</b>			
1	MXC5202SUA	1	Finisher recline RH
	MXC5203SUA	1	Finisher recline LH
	MXC5198SUA	1	Finisher recline RH
	MXC5199SUA	1	Finisher recline LH
<b>4 Door</b>			
1	BTR880LUL	1	Finisher recline RH Note(1)
	BTR880SUA	1	Finisher recline RH
	BTR880LOY	1	Finisher recline RH
	BTR881LUL	1	Finisher recline LH Note(1)
	BTR881SUA	1	Finisher recline LH
	BTR881LOY	1	Finisher recline LH

Note(1) Up to MA647645  
 Note(2) COLOUR CODE. LUL - Winchester grey, SUA - Sorrell brown, RWD - Sable, AUK - Tan, LNF - Ash grey, LOY - Dark granite.



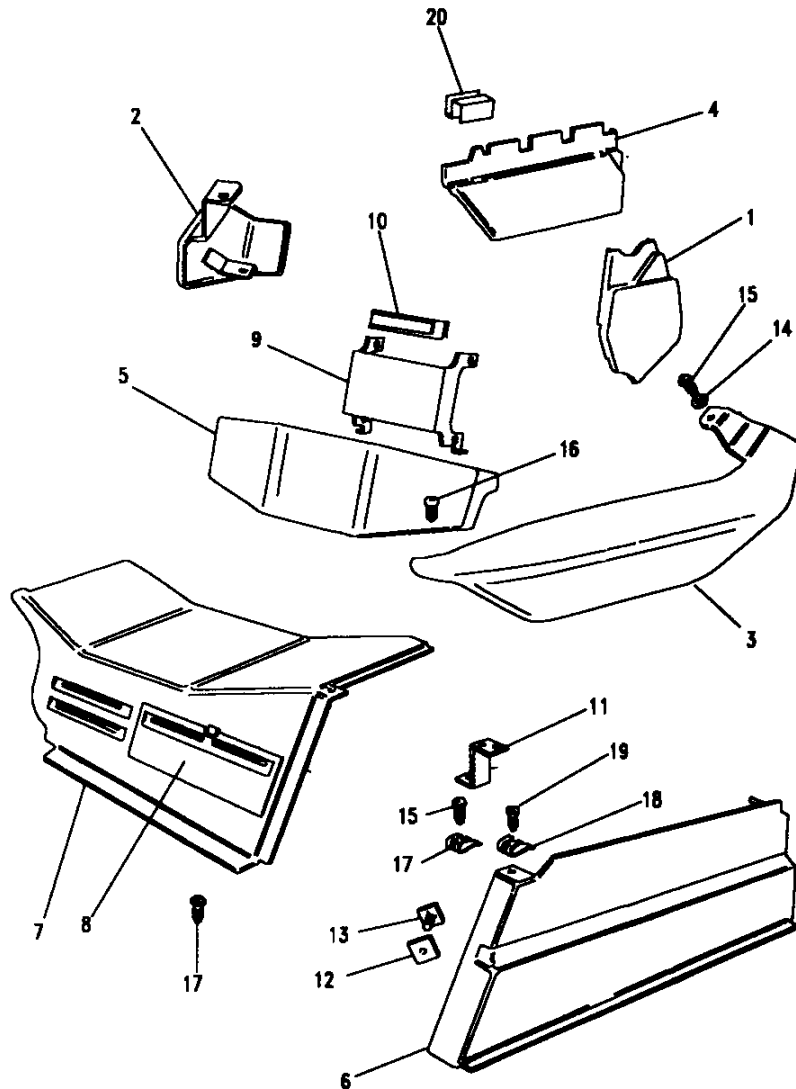
**Model** RANGE ROVER 1992 onwards  
**Page** BDRXAC1A

**SEATS - PLINTH & FINISHERS**

III. Part No.	Description	Qty	Remarks
<b>Inner - left hand side - all variants</b>			
2	MWC3169SUA	1	Finisher seat LH
	MWC3169LUL	1	Finisher seat LH
	MWC3169RWD	1	Finisher seat LH
	MWC3169AUK	1	Finisher seat LH
	BTR9621LNF	1	Finisher seat LH
	BTR9621LOY	1	Finisher seat LH
	BTR9621SUA	1	Finisher seat LH
			)Note(1)
<b>Inner - right hand side - all variants</b>			
	MWC3170SUA	1	Finisher seat RH
	MWC3170LUL	1	Finisher seat RH
	MWC3170RWD	1	Finisher seat RH
	MWC3170AUK	1	Finisher seat RH
	BTR9620LNF	1	Finisher seat RH
	BTR9620LOY	1	Finisher seat RH
	BTR9620SUA	1	Finisher seat RH
			)Note(1)

Note(1)  
 Note(2)

From MA647645  
 COLOUR CODE. LUL - Winchester grey, SUA - Sorrell brown, RWD - Sable, AUK - Tan, LNF - Ash grey, LOY - Dark granite.

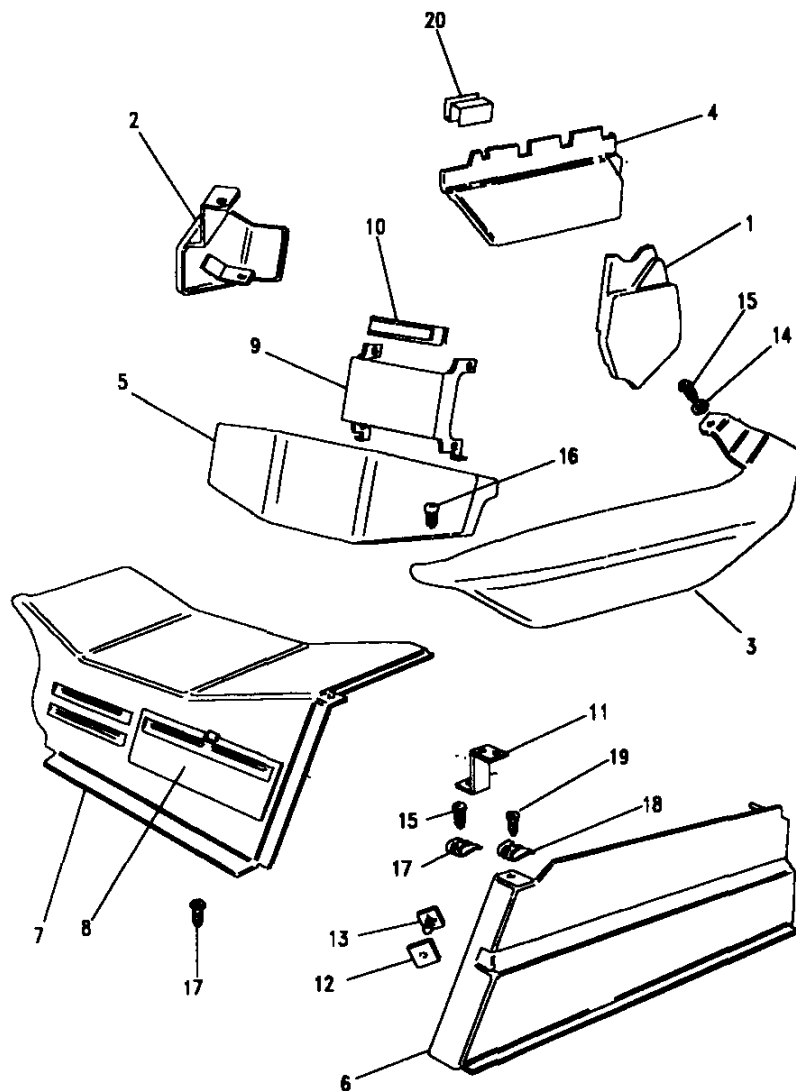


**Model** RANGE ROVER 1992 onwards  
**Page** BDRXAC1A

**SEATS - PLINTH & FINISHERS**

III. Part No.	Description	Qty	Remarks
<b>Outer - left hand side - all variants</b>			
3	BTR391SUA	1	Finisher seat LH
	BTR391LUL	1	Finisher seat LH
	BTR391RWD	1	Finisher seat LH
	BTR391AUK	1	Finisher seat LH
	BTR9619LNF	1	Finisher seat LH
	BTR9619LOY	1	Finisher seat LH
	BTR9619SUA	1	Finisher seat LH
			)Note(1)
<b>Outer - Right hand side - all variants</b>			
	BTR390SUA	1	Finisher seat RH
	BTR390LUL	1	Finisher seat RH
	BTR390RWD	1	Finisher seat RH
	BTR390AUK	1	Finisher seat RH
	BTR9618LNF	1	Finisher seat LH
	BTR9618LOY	1	Finisher seat LH
	BTR9618SUA	1	Finisher seat LH
			)Note(1)

Note(1) From MA647645  
 Note(2) COLOUR CODE. LUL - Winchester grey, SUA - Sorrell brown, RWD - Sable, AUK - Tan, LNF - Ash grey, LOY - Dark granite.



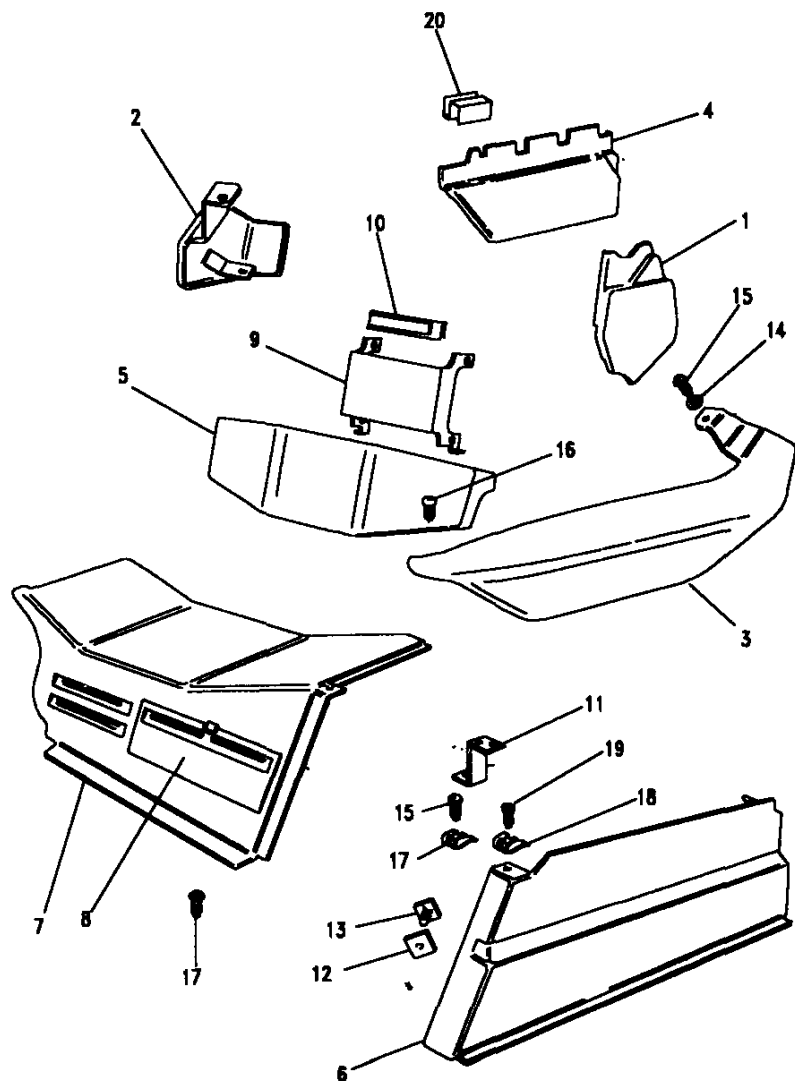
**Model** RANGE ROVER 1992 onwards  
**Page** BDRXAC1A

**SEATS - PLINTH & FINISHERS**

III. Part No.	Description	Qty	Remarks
<b>2 Door</b>			
4	MWC9622SUA	1	Finisher adjuster RH
	MWC9621SUA	1	Finisher adjuster LH
<b>4 Door</b>			
4	MWC5004SUA	1	Finisher adjuster RH
	MWC5004LUL	1	Finisher adjuster RH
	MWC5003SUA	1	Finisher adjuster LH
	MWC5003LUL	1	Finisher adjuster LH
<b>All variants</b>			
5	MWC5605LUL	2	Cover
	MWC5605SUA	2	Cover
	MWC5605RWD	2	Cover
	MWC5605AUK	2	Cover
	BTR9093LNF	2	Cover
	BTR9093LUL	2	Cover
	BTR9093RWD	2	Cover
	BTR9093SUA	2	Cover
			)Note(1)

Note(1)  
 Note(2)

From MA647645  
 COLOUR CODE. LUL - Winchester grey, SUA - Sorrell brown, RWD -  
 Sable, AUK - Tan, LNF - Ash grey, LOY - Dark granite.



**Model** RANGE ROVER 1992 onwards  
**Page** BDRXAC1A

**SEATS - PLINTH & FINISHERS**

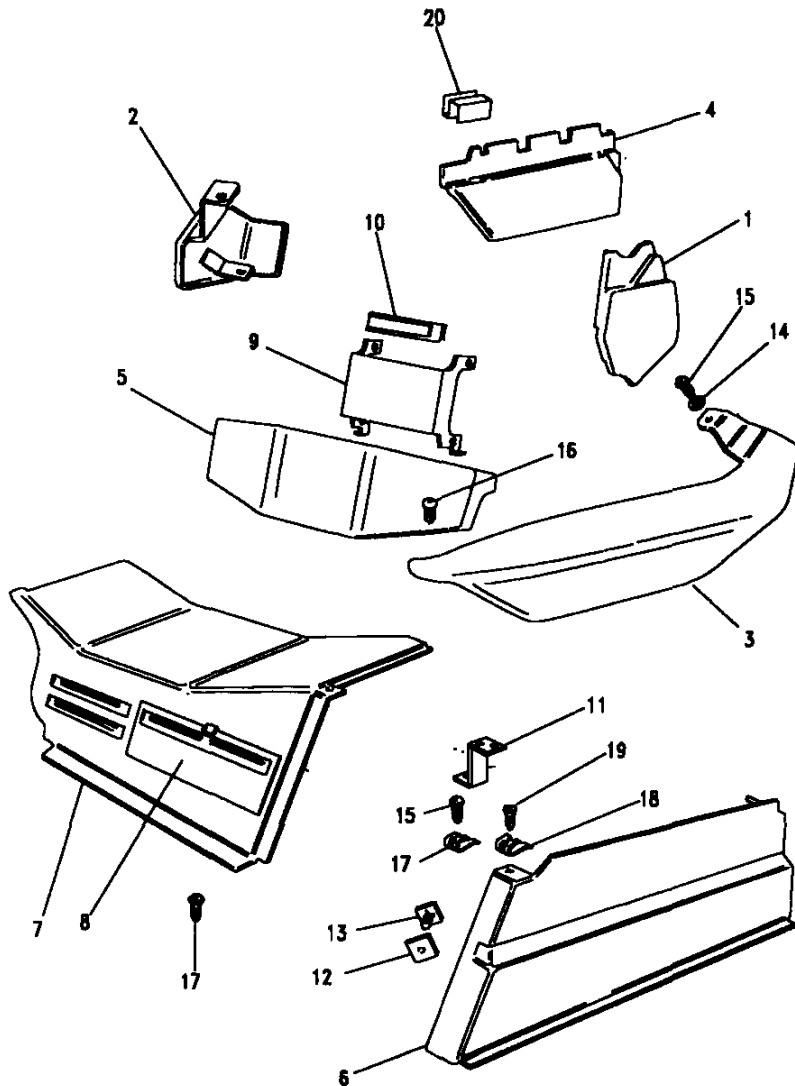
III. Part No.	Description	Qty	Remarks
<b>2 Door</b>			
6	MWC5774SUA	1	Finisher seat plinth RH
	MWC5775SUA	1	Finisher seat plinth LH
<b>4 Door - left hand side</b>			
6	BTR309LUL	1	Finisher seat plinth LH
	BTR309SUA	1	Finisher seat plinth LH
	BTR309RWD	1	Finisher seat plinth LH
	BTR309AUK	1	Finisher seat plinth LH
	BTR9307LNF	1	Finisher seat plinth LH
	BTR9307LOY	1	Finisher seat plinth LH
	BTR9307SUA	1	Finisher seat plinth LH
			)Note(1)
<b>4 Door - right hand side</b>			
6	BTR310LUL	1	Finisher seat plinth RH
	BTR310SUA	1	Finisher seat plinth RH
	BTR310RWD	1	Finisher seat plinth RH
	BTR310AUK	1	Finisher seat plinth RH
	BTR9308LNF	1	Finisher seat plinth RH
	BTR9308LOY	1	Finisher seat plinth RH
	BTR9308SUA	1	Finisher seat plinth RH
			)Note(1)

Note(1)

From MA647645

Note(2)

COLOUR CODE. LUL - Winchester grey, SUA - Sorrell brown., RWD - Sable, AUK - Tan, LNF - Ash grey, LOY - Dark granite.



**Model** RANGE ROVER 1992 onwards  
**Page** BDRXAC1A

**SEATS - PLINTH & FINISHERS**

III. Part No.	Description	Qty	Remarks
<b>All variants - left hand side</b>			
7	BTR313LUL	1	Finisher seat plinth LH
	BTR313SUA	1	Finisher seat plinth LH
	BTR313RWD	1	Finisher seat plinth LH
	BTR313AUK	1	Finisher seat plinth LH
	BTR313LNF	1	Finisher seat plinth LH
			Note(1)
<b>All variants - right hand side</b>			
7	BTR314LUL	1	Finisher seat plinth RH
	BTR314SUA	1	Finisher seat plinth RH
	BTR314RWD	1	Finisher seat plinth RH
	BTR314AUK	1	Finisher seat plinth RH
	BTR314LNF	1	Finisher seat plinth RH
			Note(1)
8	BTR3SUA	1	Cover inspection
	BTR3LUL	1	Cover inspection
	BTR3RWD	1	Cover inspection
	BTR3AUK	1	Cover inspection
	BTR3LNF	1	Cover inspection
			Note(1)
9	MWC2450	8	Bracket mounting

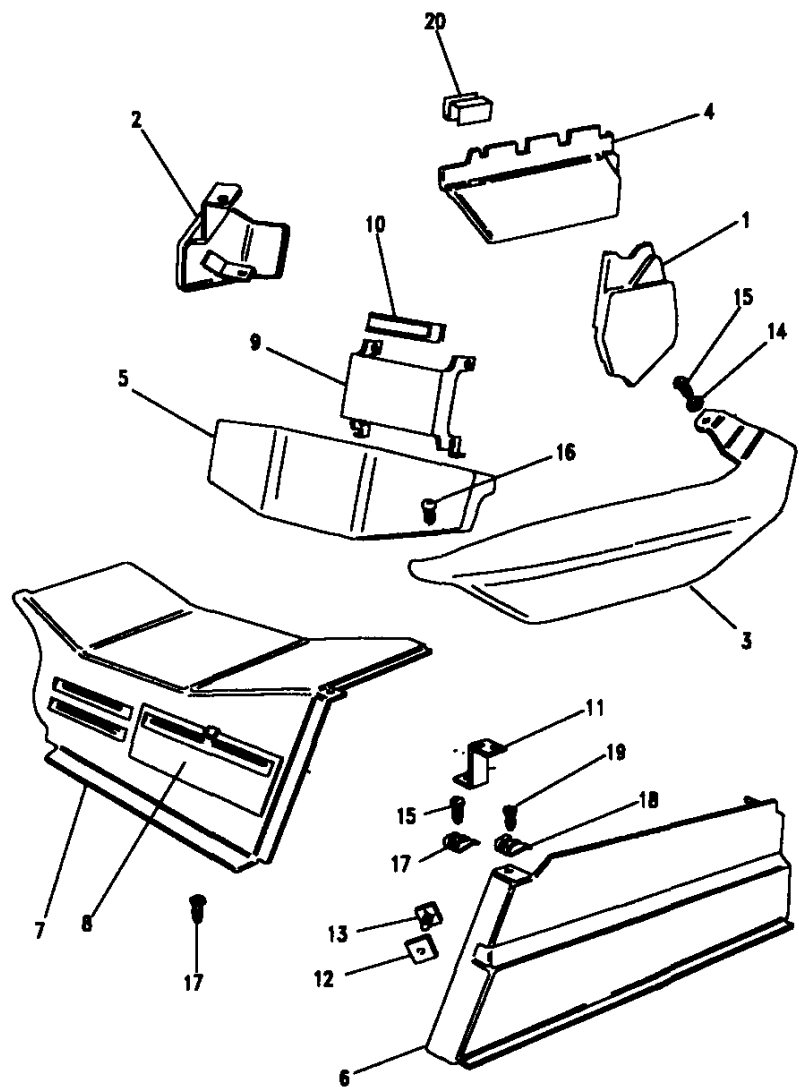
Note(1) From MA647645  
 Note(2) COLOUR CODE. LUL - Winchester grey, SUA - Sorrell brown, RWD - Sable, AUK - Tan, LNF - Ash grey.

**Model** RANGE ROVER 1992 onwards  
**Page** BDRXAC1A

**SEATS - PLINTH & FINISHERS**

III. Part No.	Description	Qty	Remarks
10	MWC2754 Strip retaining	2	
11	MWC3226 Bracket mounting	2	
12	MUC8998 Seal	4	)Note(1)
13	MUC8995 Fastener	4	
14	WA106041L Washer plain	2	
15	AV608081L Screw	A/R	
16	AB608031L Screw	3	
11	7K608045 Nut	2	
18	AJ606011L Nut	2	
19	AY606105 Screw	2	
20	ATU1015L Clip	4	

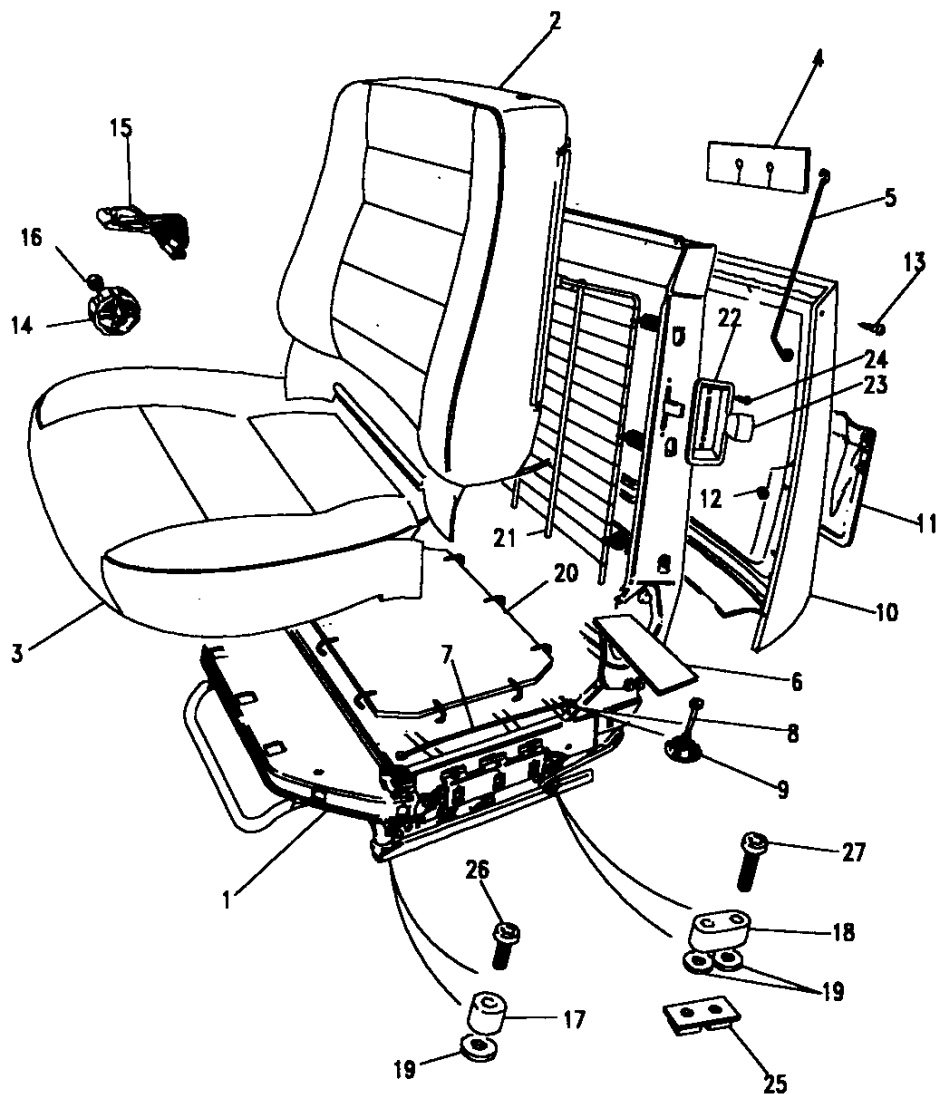
Note(1) Fitted up to JA624755  
 Note(2) COLOUR CODE. LUL - Winchester grey, SUA - Sorrell brown, RWD - Sable, AUK - Tan.





**Model** RANGE ROVER 1992 onwards  
**Page** BDRXE1A

**SEATS - FRONT - NON HEATED - MANUAL - 2 DOOR.**

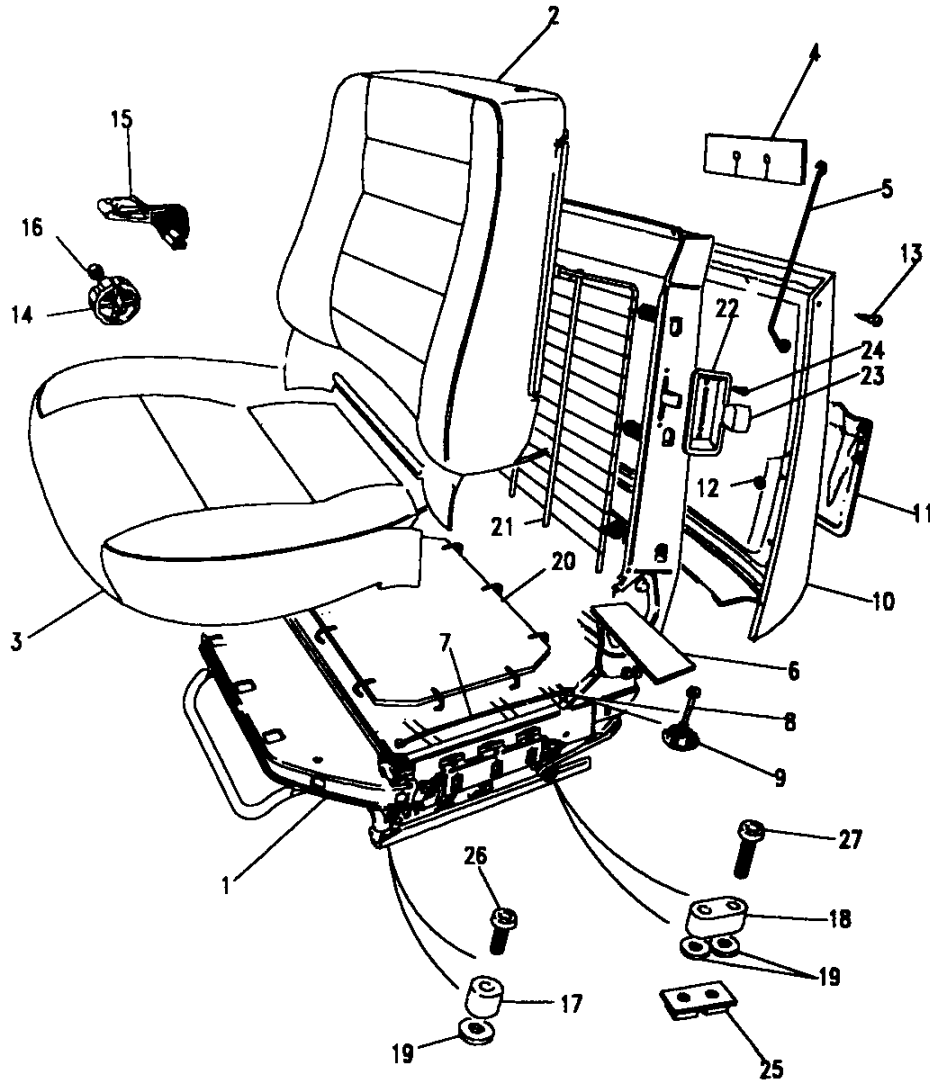


III. Part No.	Description	Qty	Remarks
	MXC5128AUE	1	)
	MXC5129AUE	1	)Note(1)
	BTR8452AUE	1	)
	BTR8453AUE	1	)Note(2)
1	MXC5798PMA	1	Seat frame RH
	MXC5799PMA	1	Seat frame LH
	RTC6736	2	Cable squab release
2	MXC4797AUE	2	Squab cover
3	MXC4787AUE	2	Cushion cover
4	MUC1561	2	Plate retention squab
5	MXC6474	4	Wire retention
6	BTR344	4	Plate retention
7	MXC6473	4	Wire retention
8	AFU4056	4	Clip
9	BRC5803	8	Washer
10	MWC8592AUE	2	Panel seatback
11	MWC8652AUE	2	Pocket
12	AN104041L	12	Push on fix

Note(1) Up to KA640177  
 Note(2) From KA640178  
 Note(3) From MA647645  
 Note(4) COLOUR CODE. AUE - Brogue, SUA - Sorrell brown, RUN - Bokhara, LOY - Dark granite.

**Model** RANGE ROVER 1992 onwards  
**Page** BDRXE1A

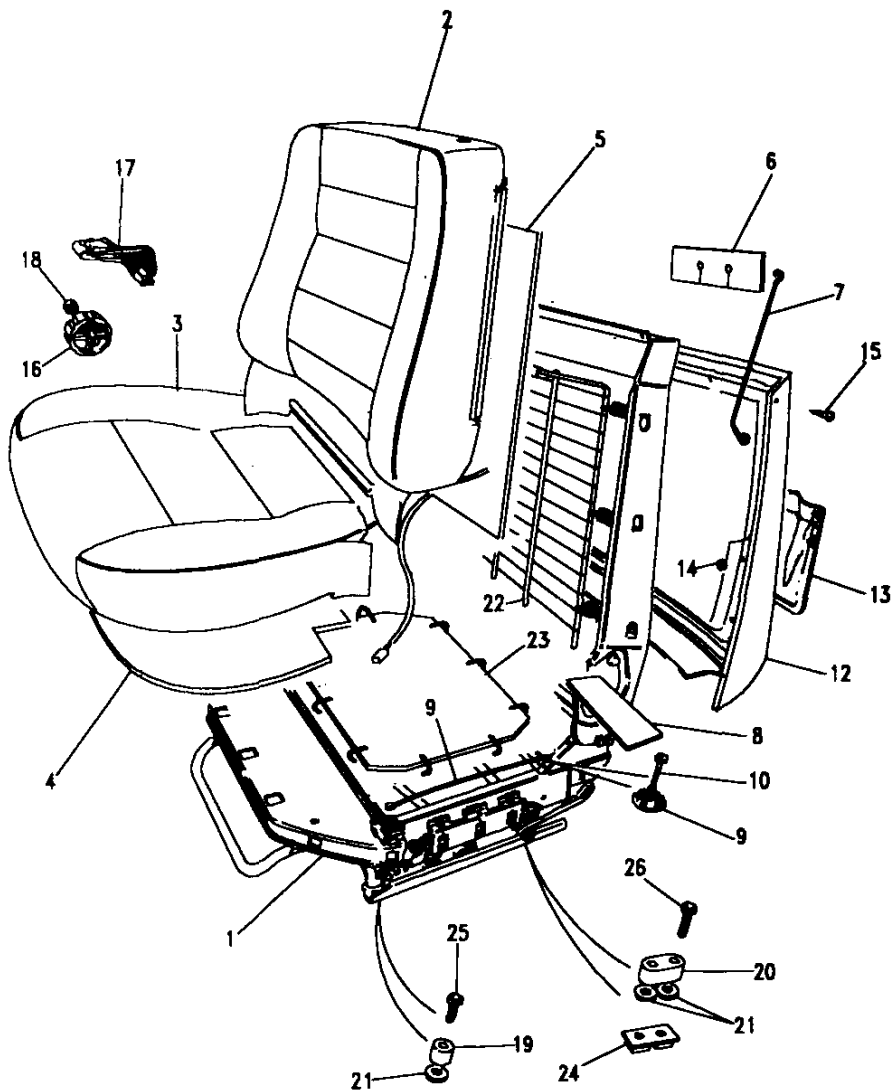
**SEATS - FRONT - NON HEATED - MANUAL - 2 DOOR.**



III. Part No.	Description	Qty	Remarks
13 DA606061L	Screw	4	
14 MWC2955RUN	Wheel recline	2	
MWC2955LNF	Wheel recline	2	Note(1)
15 STC219	Lever RH	1	
MUC1626LNF	Lever RH	1	Note(1)
STC220	Lever LH	1	
MUC1627LNF	Lever LH	1	Note(1)
16 NY110041L	Nut	2	
17 MWC1388	Spacer	2	Front
18 MWC1389	Spacer	2	Rear
19 MWC4804	Washer	6	
20 MTC9931	Diaphragm	1	Cushion
21 MTC9943	Diaphragm	1	Squab
22 MWC9619SUA	Escutcheon	2	
23 MWC9618SUA	Knob	2	
24 MTC9428	Screw	2	
25 MWC2422	Nut plate	2	
26 SB108201L	Screw	12	
27 SB108401	Nut plate	12	

Note(1)  
 Note(2)

From MA647645  
 COLOUR CODE. AUE - Brogue, SUA - Sorrell brown, RUN - Bokhara,  
 LNF - Ash grey.

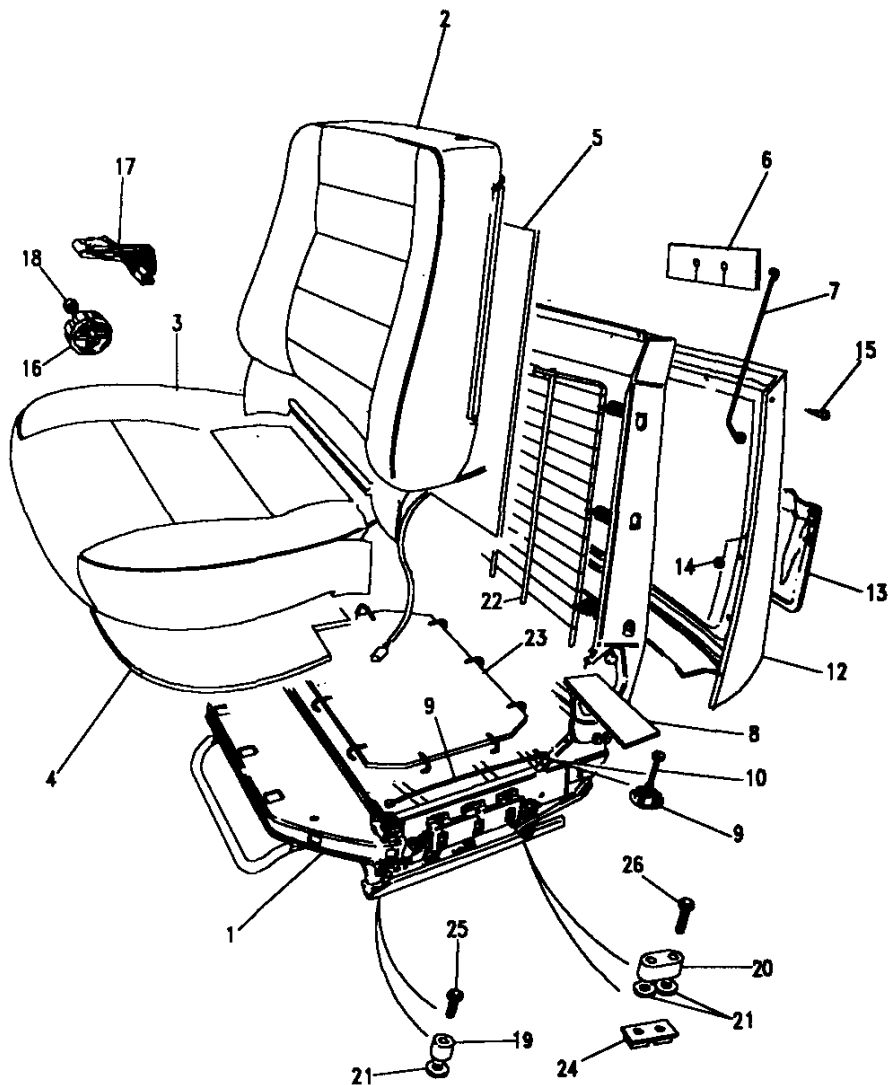


**Model** RANGE ROVER 1992 onwards  
**Page** BDRXE2A

**SEATS - FRONT - HEATED - MANUAL - 4 DOOR.**

III. Part No.	Description	Qty	Remarks
<b>Velour</b>			
	BTR650AUE	1	)
	BTR650LUL	1	)Note(1)
	BTR8448LUL	1	)
	BTR8448AUE	1	)Note(2)
	BTR649AUE	1	)
	BTR649LUL	1	)Note(1)
	BTR8449LUL	1	)
	BTR8449AUE	1	)Note(2)
1	MXC5802RUN	1	Seat frame RH
	MXC5801PMA	1	Seat frame LH
	BTR8508PMA	1	Seat frame RH
	BTR8509PMA	1	Seat frame LH
2	MXC4797AUE	2	Squab cover
	MXC4797LUL	2	Squab cover
	BTR9446AUE	2	)
	BTR9446LOY	2	)Note(3)
3	MXC4787AUE	2	Cushion cover
	MXC4787LUL	2	Cushion cover
	MXC4787LOY	2	Note(3)

Note(1) Up To KA640177  
 Note(2) From KA640178  
 Note(3) From MA647645



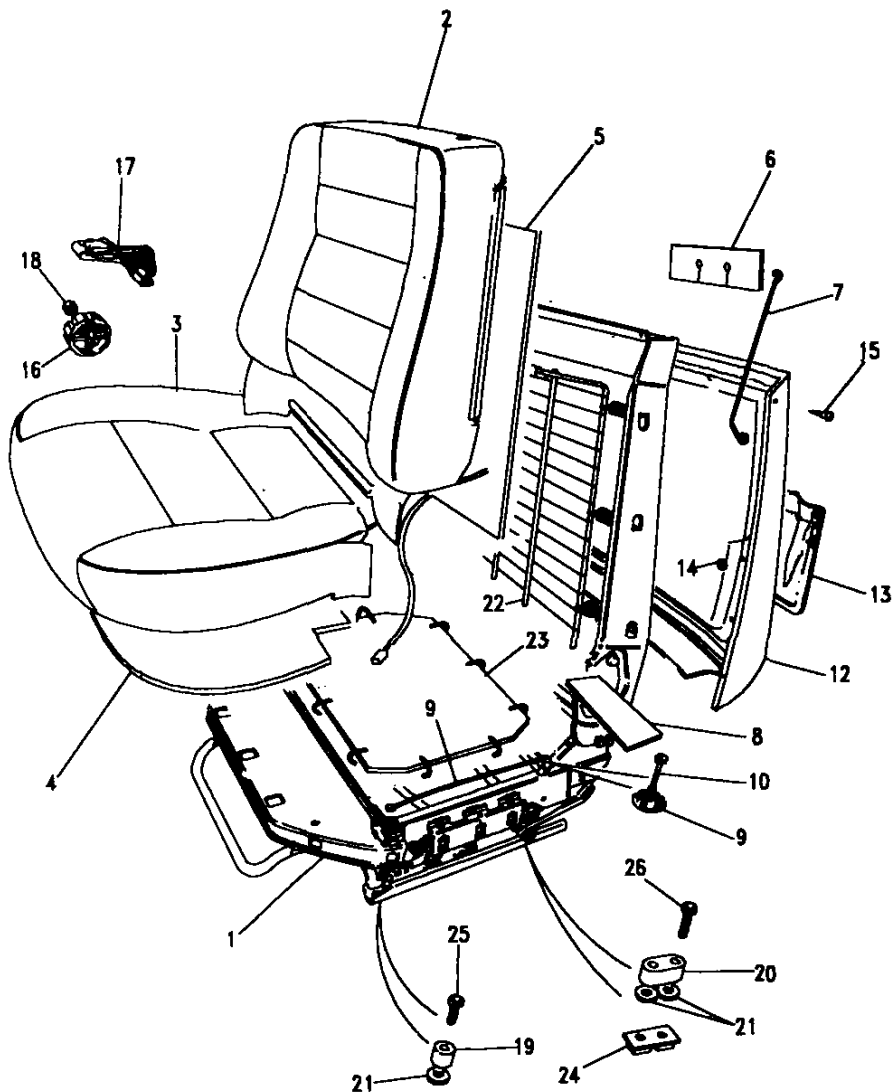
**Model** RANGE ROVER 1992 onwards

**Page** BDRXE2A

**SEATS - FRONT - HEATED - MANUAL - 4 DOOR**

III. Part No.	Description	Qty	Remarks
<b>Seat assembly RH - Leather</b>			
BTR2302LUL	Seat assembly front	1	Note(3)
BTR2302LUV	Seat assembly front	1	)
BTR2302SUA	Seat assembly front	1	)Note(1)
BTR8440LUV	Seat assembly front	1	)
BTR8440SUA	Seat assembly front	1	)Note(2)
BTR7386LOY	Seat assembly front	1	)
BTR7386SUA	Seat assembly front	1	)Note(4)
<b>Seat assembly LH - Leather</b>			
BTR2301LUL	Seat assembly front	1	Note(3)
BTR2301LUV	Seat assembly front	1	)
BTR2301SUA	Seat assembly front	1	)Note(1)
BTR8441LUV	Seat assembly front	1	)
BTR8441SUA	Seat assembly front	1	)Note(2)
BTR7387SUA	Seat assembly front	1	)
BTR7387LOY	Seat assembly front	1	)Note(4)

Note(1) Up to KA640177  
 Note(2) From KA640178  
 Note(3) Up to JA624755  
 Note(4) From MA647845  
 Note(5) COLOUR CODE. LOY - Dark granite, SUA - Sorrell brown, LUL - Winchester grey LUV - Light winchester

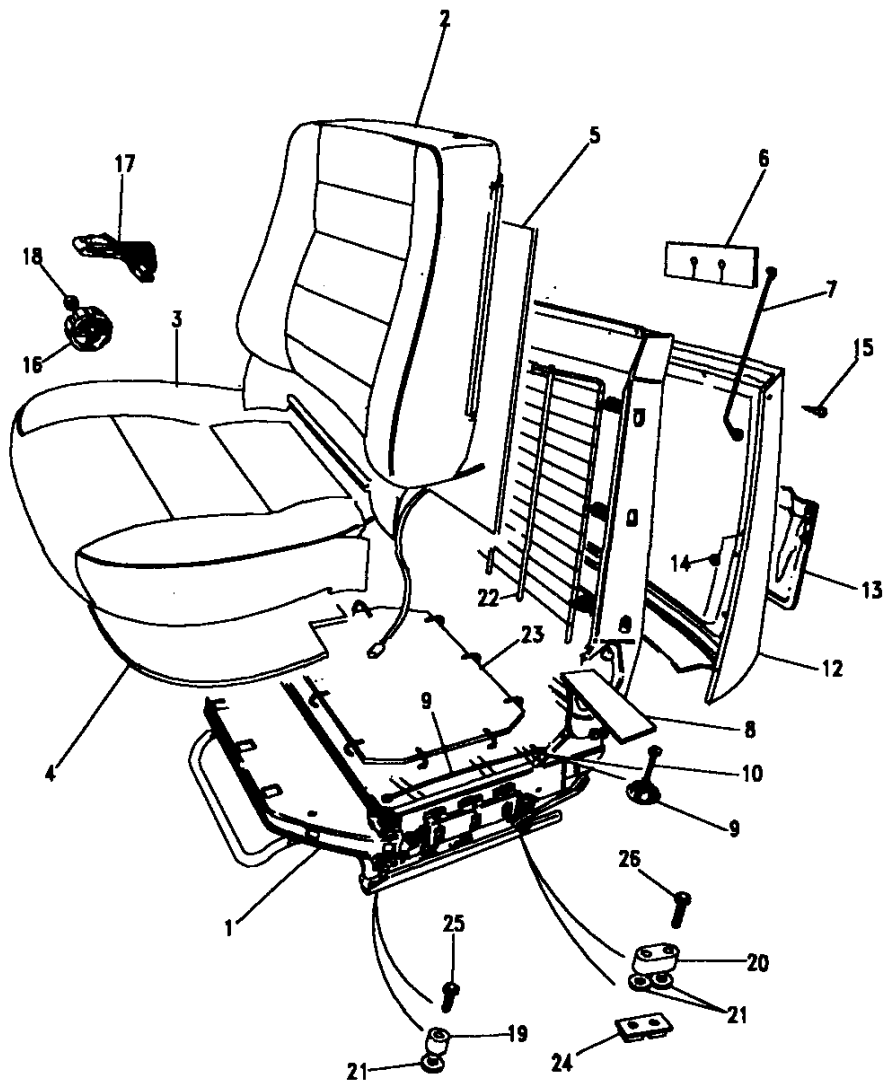


**Model** RANGE ROVER 1992 onwards  
**Page** BDRXE2A

**SEATS - FRONT - HEATED - MANUAL - 4 DOOR.**

III. Part No.	Description	Qty	Remarks
<b>All variants</b>			
1	MXC5802PMA	1	Seat frame RH
	MXC5801PMA	1	Seat frame LH
	BTR8508PMA	1	Seat frame RH )Note(2)
	BTR8509PMA	1	Seat frame LH )
2	BTR726LUL	2	Squab cover Note(1)
	BTR726LUV	2	Squab cover
	BTR726SUA	2	Squab cover
<b>Squab covers LH - Leather</b>			
2	BTR8607LOY	1	Squab cover )Note(2)
	BTR8607SUA	1	Squab cover )
<b>Squab covers RH - Leather</b>			
2	BTR8608LOY	1	Squab cover )Note(2)
	BTR8608SUA	1	Squab cover )

Note(1) Up to JA624755  
 Note(2) From MA647645  
 Note(3) COLOUR CODE. SUA - Sorrell brown, RUN - Bokhara, LUL - Winchester grey LUV - Light winchester



**Model** RANGE ROVER 1992 onwards  
**Page** BDRXE2A

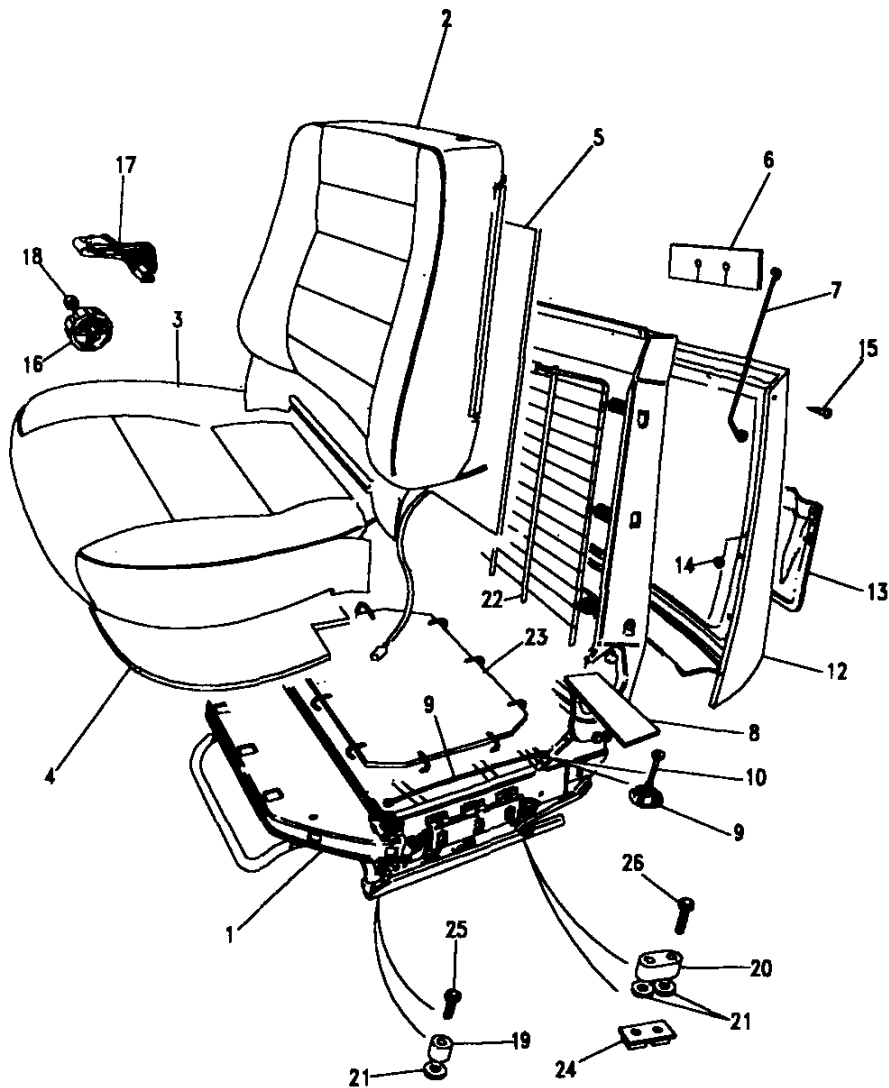
**SEATS - FRONT - HEATED - MANUAL - 4 DOOR**

III. Part No.	Description	Qty	Remarks
<b>Cushion covers LH - Leather</b>			
3	BTR2339LUL	1	Note(1)
	BTR2339LUV	1	
	BTR2339SUA	1	
	BTR7431LOY	1	)Note(2)
	BTR7431SUA	1	)
<b>Cushion covers RH - Leather</b>			
	BTR2340LUL	1	Note(1)
	BTR2340LUV	1	
	BTR2340SUA	1	
	BTR7430LOY	1	)Note(2)
	BTR7430SUA	1	)

Note(1) Up to JA624755  
 Note(2) From MA647645  
 Note(3) COLOUR CODE. SUA - Sorrell brown, RUN - Bokhara, LUL - Winchester grey LUV - Light winchester

**Model** RANGE ROVER 1992 onwards  
**Page** BDRXE2A

**SEATS - FRONT - HEATED - MANUAL - 4 DOOR.**



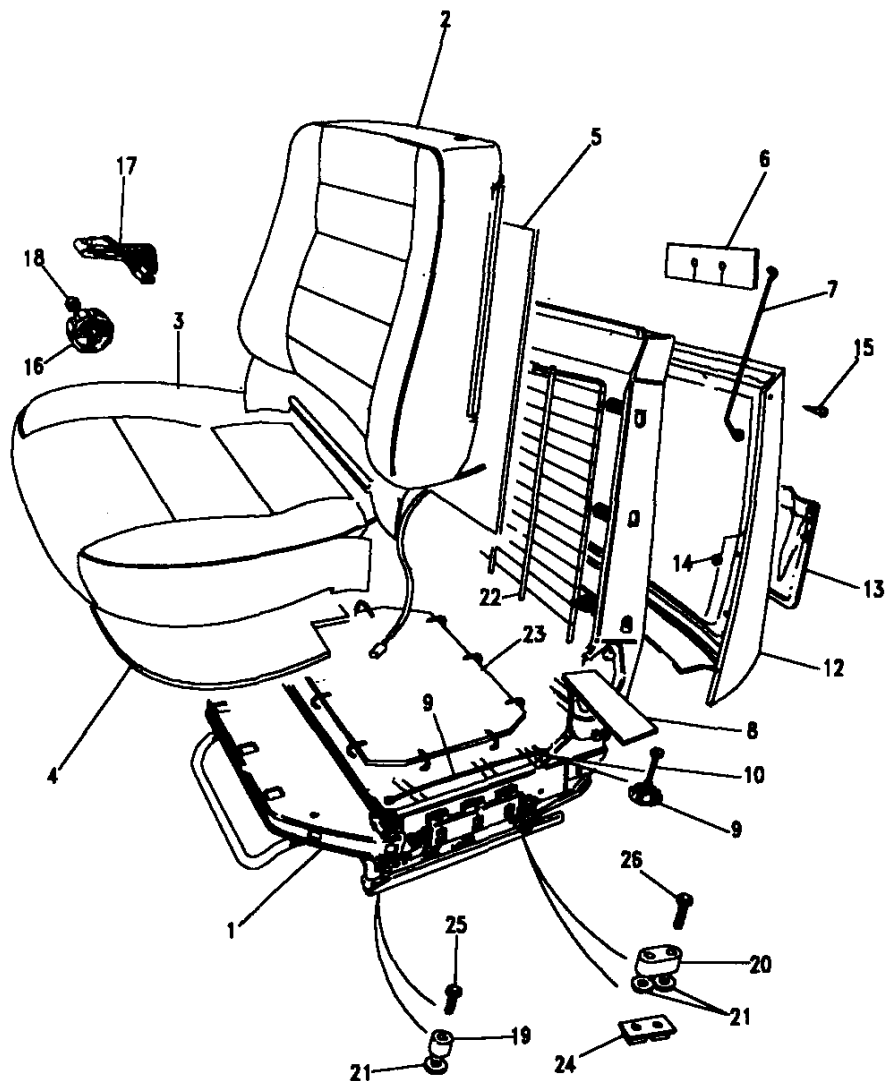
III. Part No.	Description	Qty	Remarks
<b>All variants</b>			
4	STC515	1	)
	STC421	1	)Cushion
5	STC422	1	)Squab
6	MUC1561	2	Upper
7	MXC6474	4	
8	BTR344	2	Lower & Cushion
9	MXC6473	4	
10	AFU4056	2	
11	BRC5803	2	
<b>Velour</b>			
12	MWC8592AUE	1	Panel seatback
	MWC8592LUL	1	Panel seatback
<b>Leather</b>			
	MWC8594LUL	2	Panel seatback
	MWC8594SUA	2	Panel seatback
13	MWC8652AUE	2	Pocket
	MWC8652LUL	2	Pocket

Note(1) COLOUR CODE. SUA - Sorrell brown, RUN - Bokhara, LUL - Winchester grey LUV - Light winchester

Model RANGE ROVER 1992 onwards

Page BDRXE2A

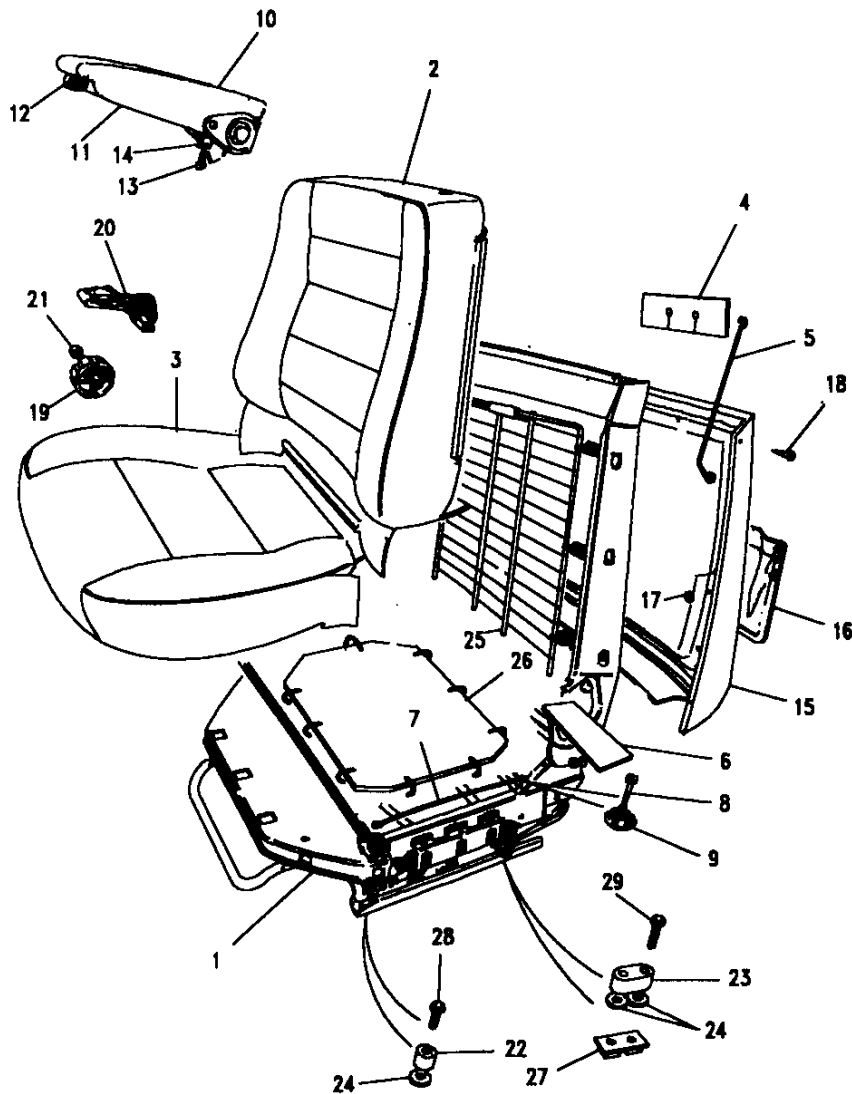
SEATS - FRONT - HEATED - MANUAL - 4 DOOR.



III. Part No.	Description	Qty	Remarks
<b>All variants</b>			
14	AN104041L Push on fix	12	
15	DA606061L Screw	4	
16	MWC2955RUN Wheel recline	2	
17	STC219 Lever RH	1	
	STC220 Lever LH	1	
18	NY110041L Nut	2	
19	MWC1388 Spacer	4	Front
20	MWC1389 Spacer	4	Rear
21	MWC4804 Washer	12	
22	MTC9943 Diaphragm	1	Squab
23	MTC9931 Diaphragm	1	Cushion
24	MWC2422 Nut plate	2	
25	SB108201L Screw	12	
26	SB108401 Screw	12	

Note(1) COLOUR CODE. RUN - Bokhara.



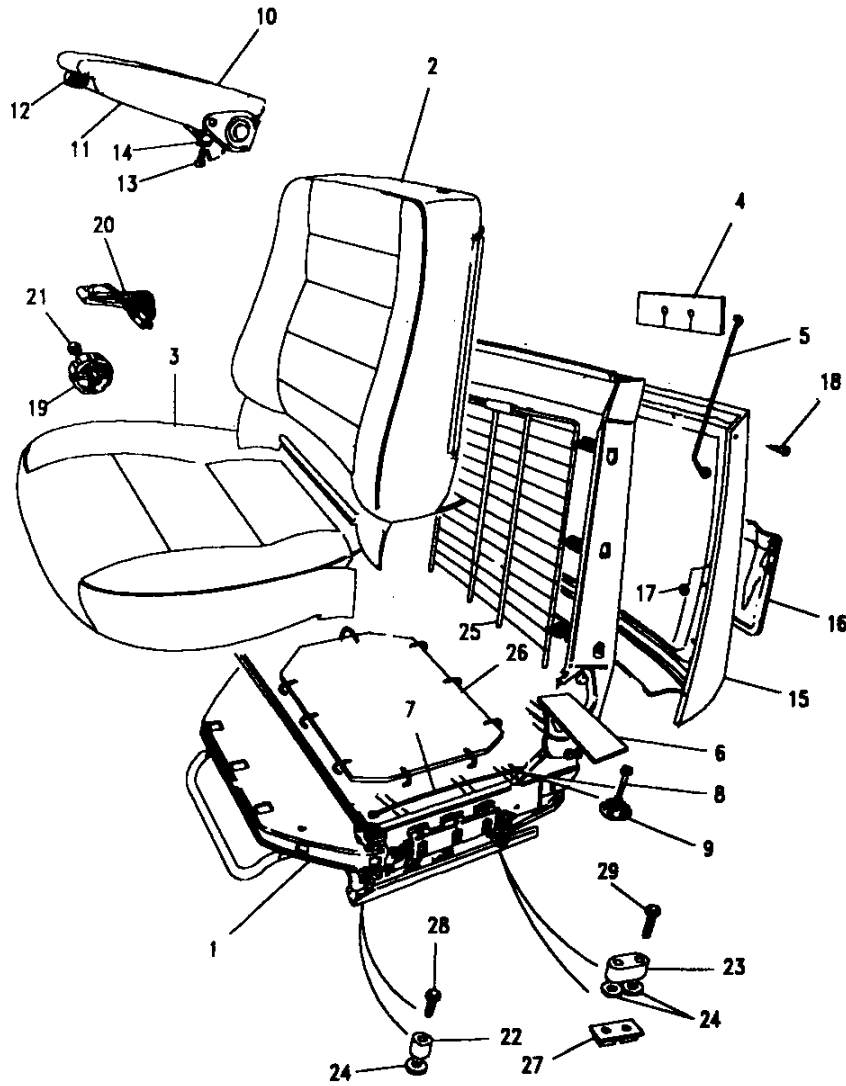


**Model** RANGE ROVER 1992 onwards  
**Page** BDRXEA2B

**SEATS - FRONT - MANUAL - AUSTRALIA SPECIAL EDITION**

III. Part No.	Description	Qty	Remarks
	BTR5584SMK	1	Seat assembly front RH
	BTR5585SMK	1	Seat assembly front LH
1	MXC5802PMA	1	Seat frame RH
	MXC5801PMA	1	Seat frame LH
2	BTR4655SMK	2	Squab cover
3	BTR5586SMK	1	Cushion cover RH
	BTR5587SMK	1	Cushion cover LH
4	MUC1561	2	Plate retention squab
5	MXC6474	4	Wire retention
6	BTR344	2	Plate retention
7	MXC6473	4	Wire retention
8	AFU4056	2	Clip
9	BRC5803	2	Washer
10	MWC5090SMK	1	Armrest assembly RH
	MWC5091SMK	1	Armrest assembly LH
11	MWC5088SMK	1	Cover armrest RH
	MWC5089SMK	1	Cover armrest LH
12	MUC1121SUA	1	Cover armrest LH
13	SH605061L	4	Screw
14	WM600051L	4	Washer spring

Note(1) COLOUR CODE. RUN - Bokhara, SMK - Lightstone.

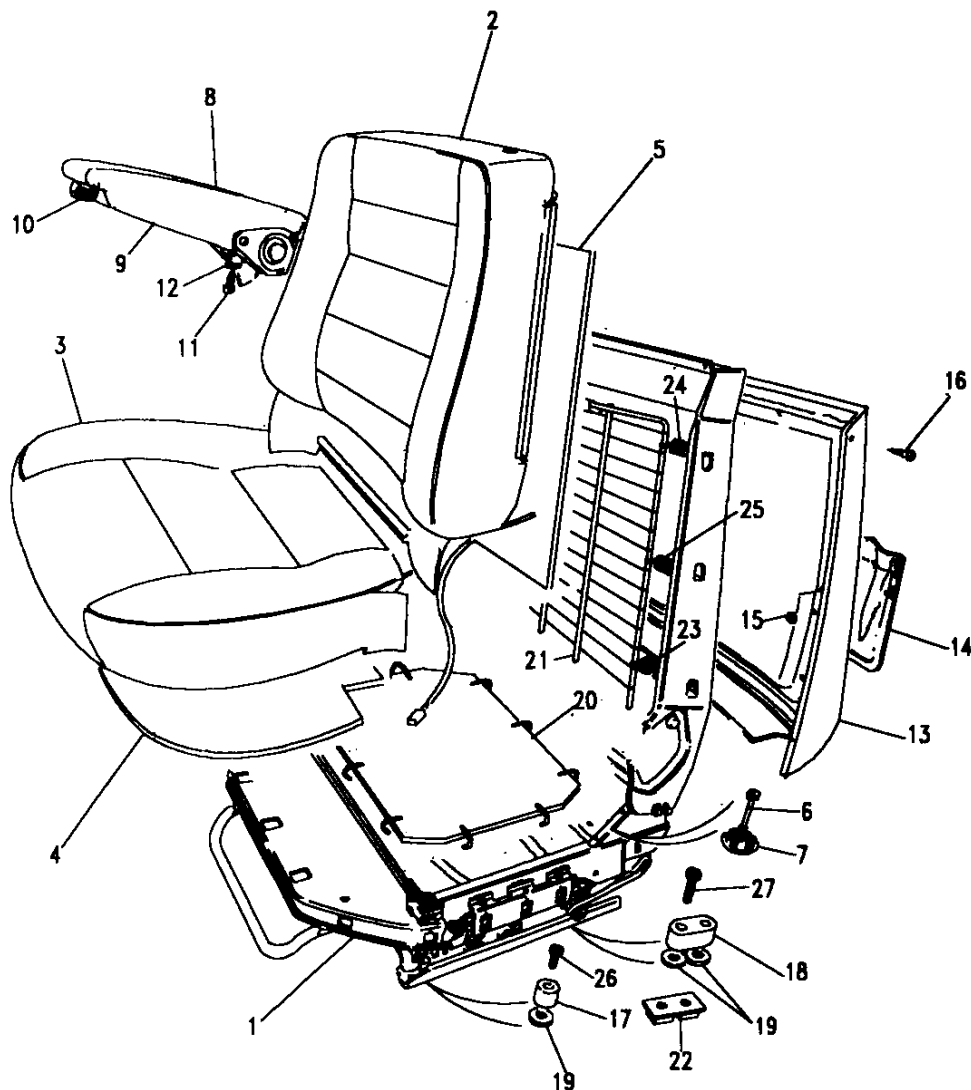


**Model** RANGE ROVER 1992 onwards  
**Page** BDRXEA2B

**SEATS - FRONT - MANUAL - AUSTRALIA SPECIAL EDITION**

III. Part No.	Description	Qty	Remarks
15	MWC8594SUA Panel seatback	2	
16	MWC8652SUA Pocket	2	
17	AN104041L Push on fix	12	
18	DA606061L Screw	4	
19	MWC2955RUN Wheel recline	2	
20	STC219 Lever RH	1	
	STC220 Lever LH	1	
21	NY110041L Nut	2	
22	MWC1388 Spacer	4	Front
23	MWC1389 Spacer	4	Rear
24	MWC4804 Washer	12	
25	MTC9943 Diaphragm	1	Squab
26	MTC9931 Diaphragm	1	Cushion
27	MWC2422 Nut plate	2	
28	SB108201L Screw	12	
29	SB108401 Screw	12	

Note(1) COLOUR CODE. RUN - Bokhara, SUA - Sorrell brown

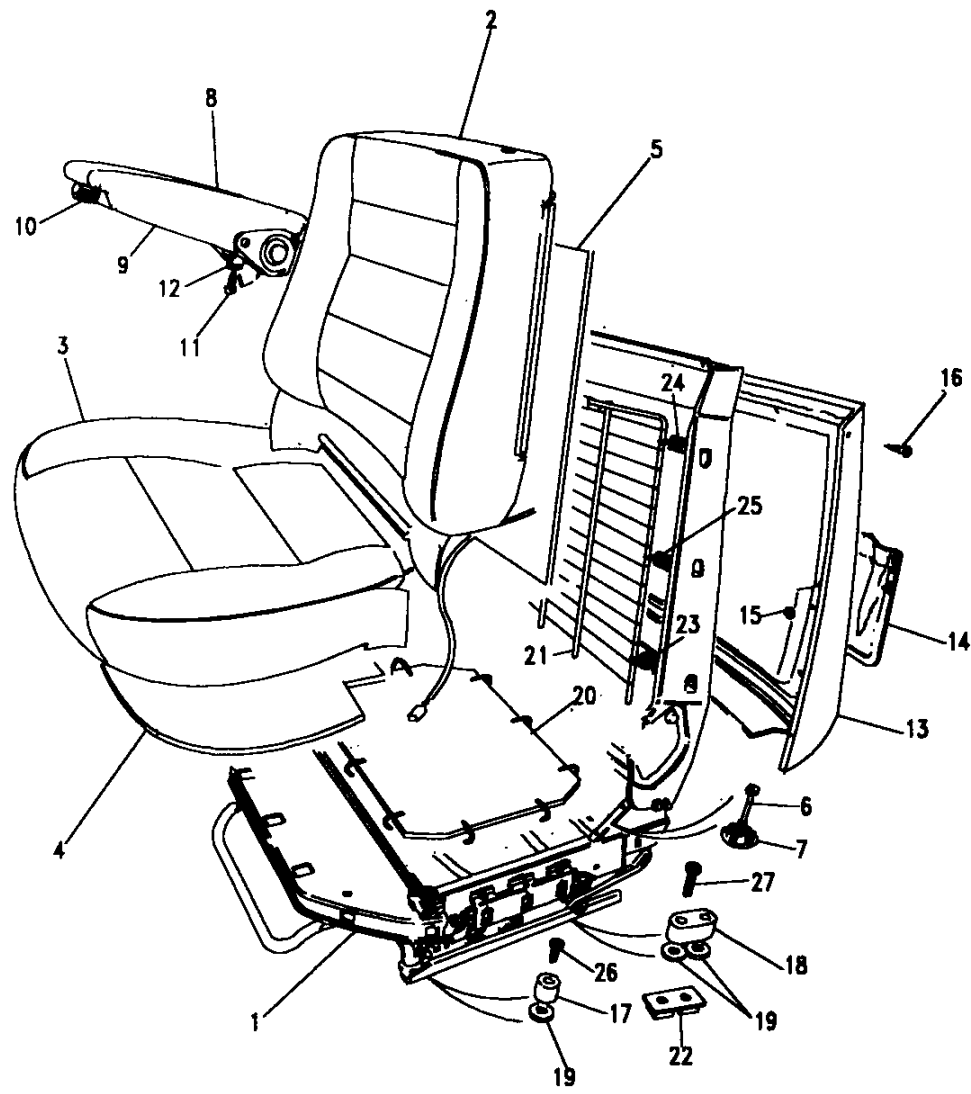


**Model** RANGE ROVER 1992 onwards  
**Page** BDRXEE1A

**SEATS - FRONT - ELECTRIC - 4 DOOR**

III. Part No.	Description	Qty	Remarks
<b>Heated - Velour</b>			
BTR2874AUE	Seat assembly RH	1	)Note(1)
BTR2874LUL	Seat assembly RH	1	
BTR8434AUE	Seat assembly RH	1	)Note(2)
BTR8434LUL	Seat assembly RH	1	
BTR2873AUE	Seat assembly LH	1	)Note(1)
BTR2873LUL	Seat assembly LH	1	
BTR8435AUE	Seat assembly LH	1	)Note(2)
BTR8435LUL	Seat assembly LH	1	
<b>Heated - Leather - right hand side</b>			
BTR2872LUL	Seat assembly RH	1	Note(3)
BTR2872LUV	Seat assembly RH	1	)Note(1)
BTR2872SUA	Seat assembly RH	1	
BTR2872RWD	Seat assembly RH	1	)Note(2)
BTR8430SUA	Seat assembly RH	1	
BTR8430RWD	Seat assembly RH	1	)Note(4)
BTR8430LUV	Seat assembly RH	1	
BTR7382LNF	Seat assembly RH	1	)
BTR7382LOY	Seat assembly RH	1	
BTR7382SUA	Seat assembly RH	1	

Note(1) Up to KA640177  
 Note(2) From KA640178  
 Note(3) Up to JA624755  
 Note(4) From MA647645  
 Note(5) COLOUR CODE. AUE - Brogue, RWD - Sable, LUL - Winchester grey, LUV - Light winchester, SUA - Sorrell brown, AUK - Tan, LNF - Ash grey, LOY - Dark granite.

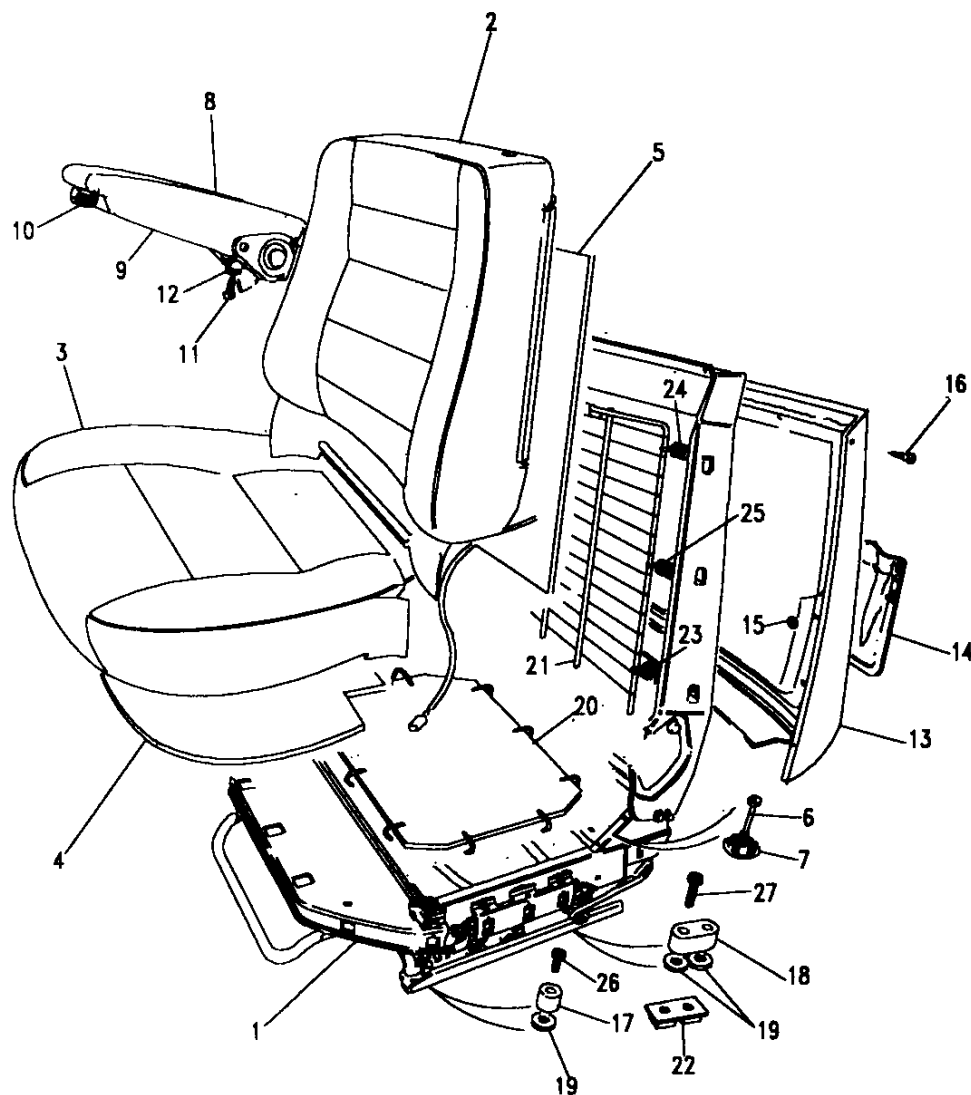


**Model** RANGE ROVER 1992 onwards  
**Page** BDRXEE1A

**SEATS - FRONT - ELECTRIC - 4 DOOR**

III. Part No.	Description	Qty	Remarks
<b>Heated - Leather - left hand side</b>			
BTR2871LUL	Seat assembly LH	1	Note(3)
BTR2871LUV	Seat assembly LH	1	)
BTR2871SUA	Seat assembly LH	1	)Note(1)
BTR2871RWD	Seat assembly LH	1	)
BTR8431SUA	Seat assembly LH	1	)
BTR8431RWD	Seat assembly LH	1	)Note(2)
BTR8431LUV	Seat assembly LH	1	)
BTR7383LNF	Seat assembly LH	1	)Note(4)
BTR7383LOY	Seat assembly LH	1	)
BTR7383SUA	Seat assembly LH	1	)
<b>Heated - Memory - Leather - right hand side</b>			
BTR2880LUL	Seat assembly RH	1	Note(3)
BTR2880LUV	Seat assembly RH	1	)
BTR2880SUA	Seat assembly RH	1	)Note(1)
BTR2880RWD	Seat assembly RH	1	)
BTR8420SUA	Seat assembly RH	1	)
BTR8420RWD	Seat assembly RH	1	)Note(2)
BTR8420LUV	Seat assembly RH	1	)
BTR7378LNF	Seat assembly RH	1	)Note(4)
BTR7378LOY	Seat assembly RH	1	)
BTR7378SUA	Seat assembly RH	1	)

Note(1) Up to KA640177  
 Note(2) From KA640178  
 Note(3) Up to JA624755  
 Note(4) From MA647645  
 Note(5) COLOUR CODE. AUE - Brogue, RWD - Sable, LUL - Winchester grey, LUV - Light winchester, SUA - Sorrell brown, LNF - Ash grey, LOY - Dark granite.



**Model** RANGE ROVER 1992 onwards

**Page** BDRXEE1A

**SEATS - FRONT - ELECTRIC - 4 DOOR**

**III. Part No. Description Qty Remarks**

**Heated - Memory - Leather - left hand side**

BTR2879LUL	Seat assembly LH	1	Note(3)
BTR2879LUV	Seat assembly LH	1	)
BTR2879SUA	Seat assembly LH	1	)Note(1)
BTR2879RWD	Seat assembly LH	1	)
BTR8421SUA	Seat assembly LH	1	)
BTR8421RWD	Seat assembly LH	1	)Note(2)
BTR8421LUV	Seat assembly LH	1	)
BTR7379LNF	Seat assembly LH	1	)Note(4)
BTR7379LOY	Seat assembly LH	1	)
BTR7379SUA	Seat assembly LH	1	)

**Heated seats - frame**

1 BTR2671PMA	Seat frame	2	
BTR8507PMA	Seat frame	2	Note(4)

**Heated & memory seats - frame**

1 BTR2670PMA	Seat frame	2	
BTR8506PMA	Seat frame	2	Note(4)

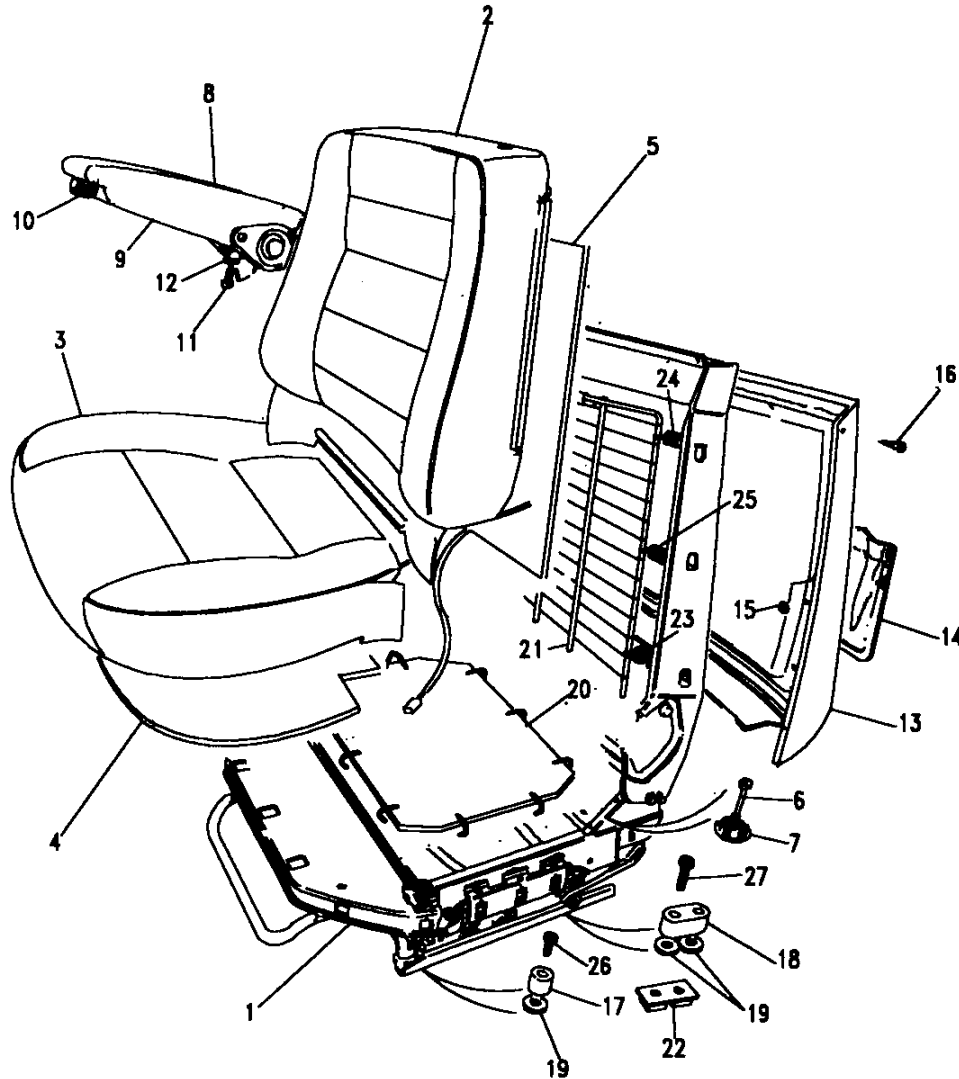
Note(1) Up to KA640177

Note(2) From KA640178

Note(3) Up to JA624755

Note(4) From MA647645

Note(5) COLOUR CODE. AUE - Brogue, RWD - Sable, LUL - Winchester grey, LUV - Light winchester, SUA - Sorrell brown, PMA - Black.

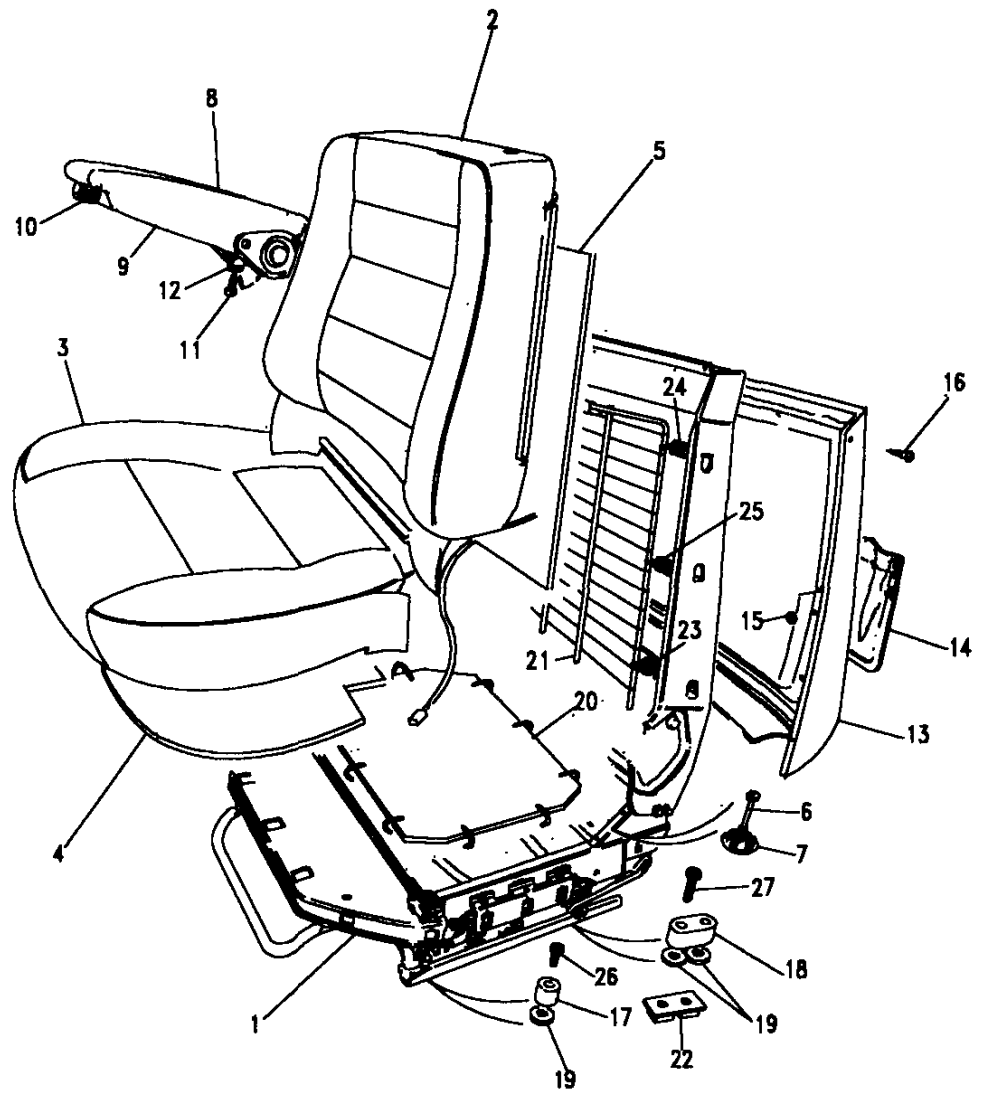


**Model** RANGE ROVER 1992 onwards  
**Page** BDRXEE1A

**SEATS - FRONT - ELECTRIC - 4 DOOR**

III. Part No.	Description	Qty	Remarks
<b>Velour</b>			
2	MXC4797AUE	2	Squab cover
	MXC4797LUL	2	Squab cover
	BTR9446AUE	2	Squab cover
	BTR9446LOY	2	Squab cover
3	MXC4787AUE	2	Cushion cover
	MXC4787LUL	2	Cushion cover
	MXC4787LOY	1	Cushion cover
<b>Leather</b>			
2	BTR726LUL	2	Squab cover
	BTR726LUV	2	Squab cover
	BTR726SUA	2	Squab cover
	BTR726RWD	2	Squab cover
	BTR8608LNF	1	Cover squab RH
	BTR8608LOY	1	Cover squab RH
	BTR8608SUA	1	Cover squab RH
	BTR8607LNF	1	Cover squab LH
	BTR8607LOY	1	Cover squab LH
	BTR8607SUA	1	Cover squab LH
3	BTR724LUL	2	Cushion cover
	BTR724LUV	2	Cushion cover
	BTR724SUA	2	Cushion cover
	BTR724RWD	2	Cushion cover
	BTR7429LNF	2	Cover cushion
	BTR7429LOY	2	Cover cushion
	BTR7429SUA	2	Cover cushion

Note(1) Up To JA624755  
 Note(2) From MA647645

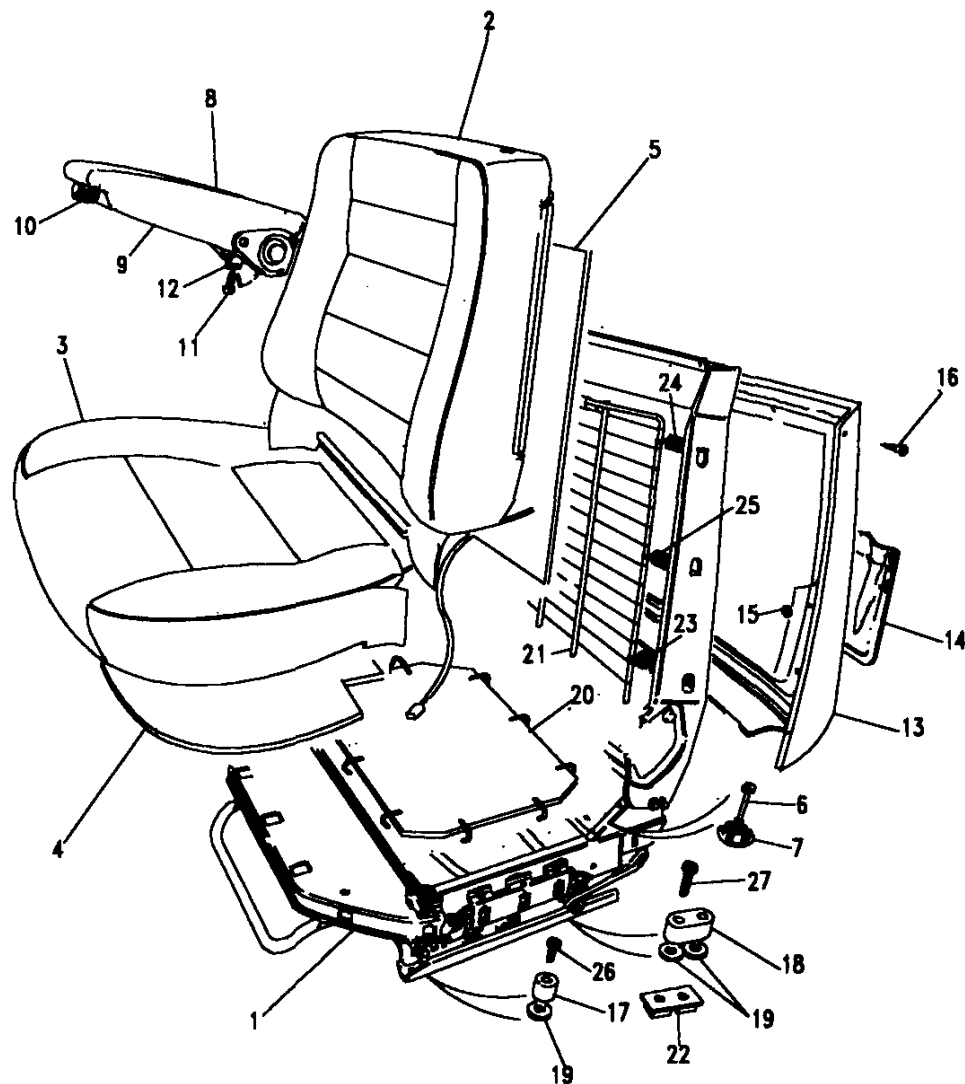


**Model** RANGE ROVER 1992 onwards  
**Page** BDRXEE1A

**SEATS - FRONT - ELECTRIC - 4 DOOR**

III. Part No.	Description	Qty	Remarks
<b>All variants</b>			
4	STC514	1	)Cushion
	STC420	1	)
5	STC422	2	)Squab
6	AFU4056	4	
7	BRC5803	8	
<b>Velour - Brogue</b>			
8	RTC6506	1	Armrest assembly RH
	BTR7280AUE	1	Armrest assembly RH
	RTC6507	1	Armrest assembly LH
	BTR7279AUE	1	Armrest assembly LH
9	RTC6522	1	Cover armrest RH
	RTC6523	1	Cover armrest LH
	BTR7286AUE	1	Cover armrest RH
	BTR7287AUE	1	Cover armrest LH

Note(1) From MA647645



**Model** RANGE ROVER 1992 onwards  
**Page** BDRXEE1A

**SEATS - FRONT - ELECTRIC - 4 DOOR**

**III. Part No. Description Qty Remarks**

**Velour - Dark Granite**

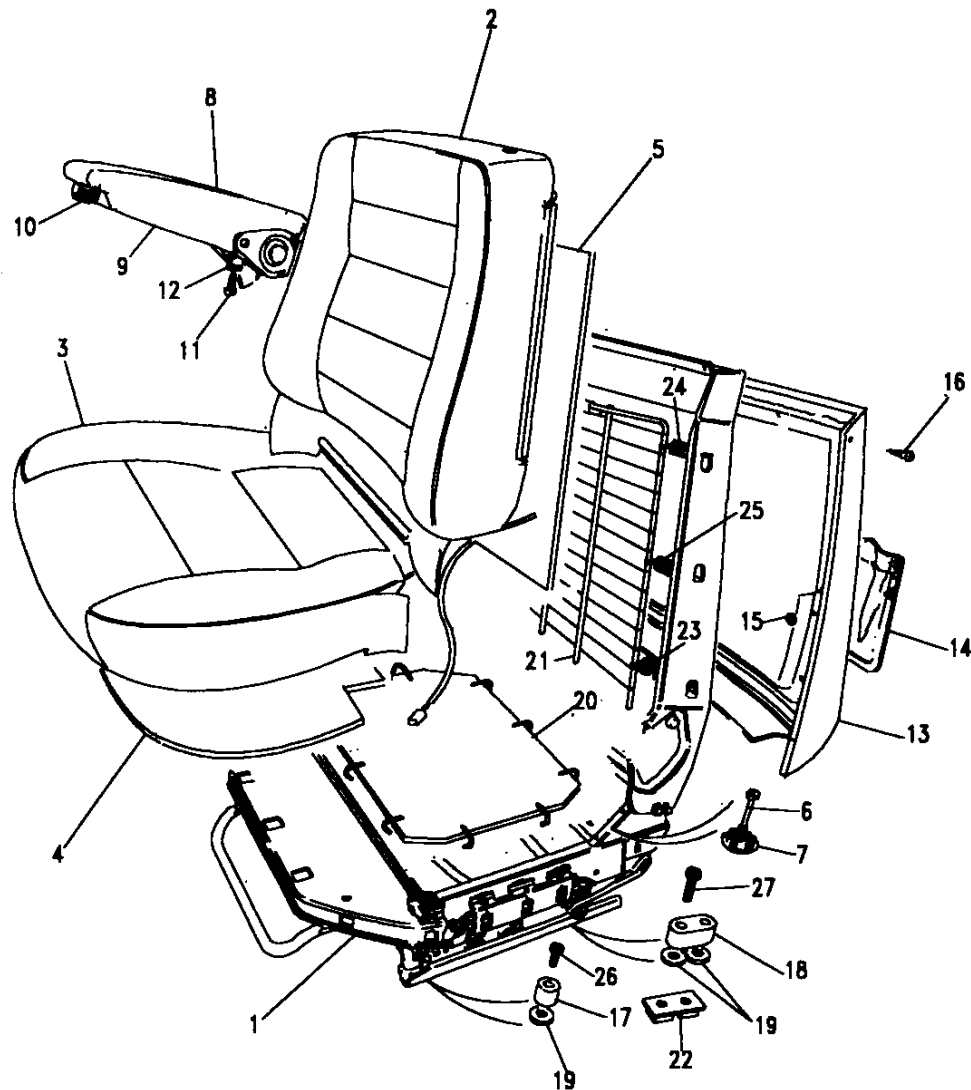
8	BTR7280LOY	Armrest assembly RH	1	)Note(1) } } }
	BTR7279LOY	Armrest assembly LH	1	
9	BTR7286LOY	Cover armrest RH	1	
	BTR7287LOY	Cover armrest LH	1	

**Velour - Winchester Grey**

8	RTC6508	Armrest assembly RH	1
	RTC6509	Armrest assembly LH	1
9	RTC6524	Cover armrest RH	1
	RTC6525	Cover armrest LH	1

Note(1) From MA647645  
 Note(2) COLOUR CODE. AUE - Brogue, LOY - Dark granite.





**Model** RANGE ROVER 1992 onwards  
**Page** BDRXEE1A

**SEATS - FRONT - ELECTRIC - 4 DOOR**

**III. Part No. Description Qty Remarks**

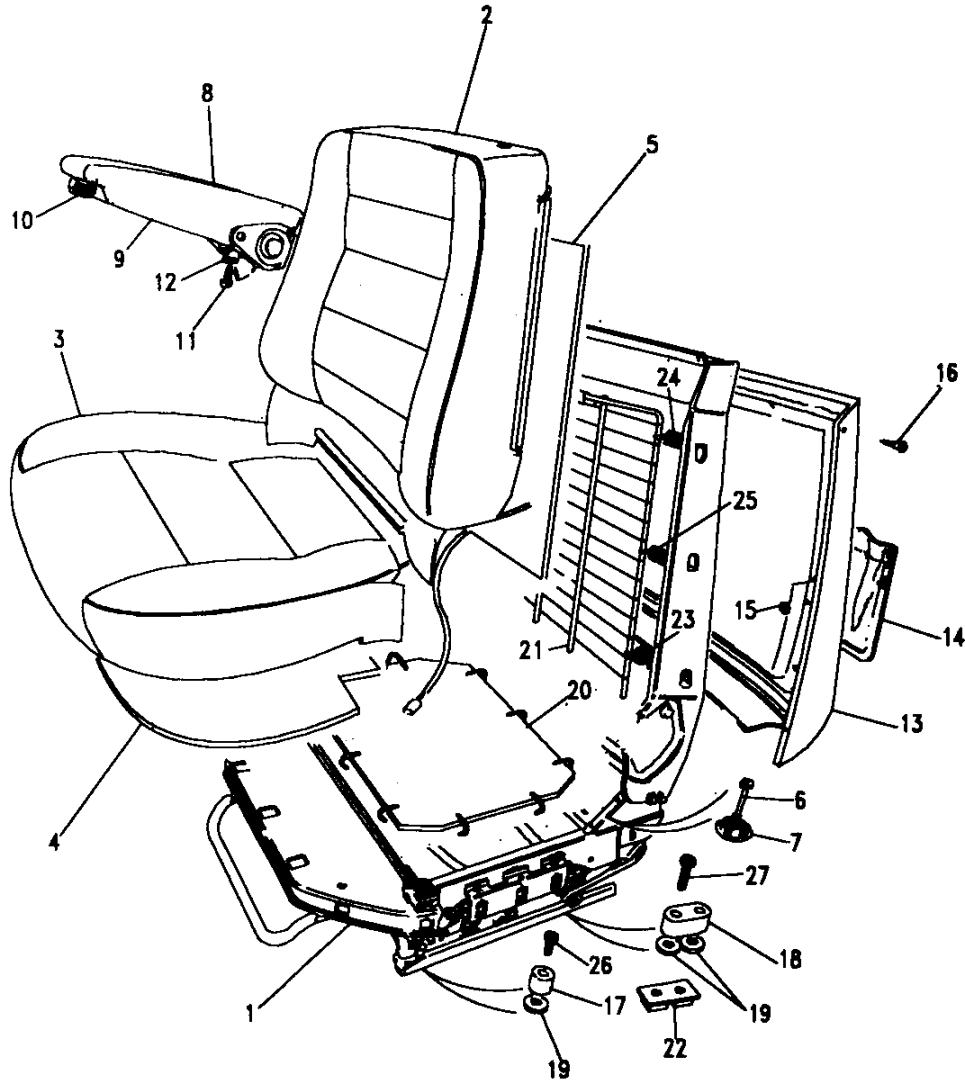
**Leather - Dark granite**

8	BTR7278LOY	Armrest assembly RH	1	)Note(1)
	BTR7277LOY	Armrest assembly LH	1	)
9	BTR7284LOY	Cover armrest RH	1	)
	BTR7285LOY	Cover armrest LH	1	)

**Leather - Ash Grey**

8	BTR7278LNF	Armrest assembly RH	1	)Note(1)
	BTR7277LNF	Armrest assembly LH	1	)
9	BTR7284LNF	Cover armrest RH	1	)
	BTR7285LNF	Cover armrest LH	1	)

Note(1) From MA647645

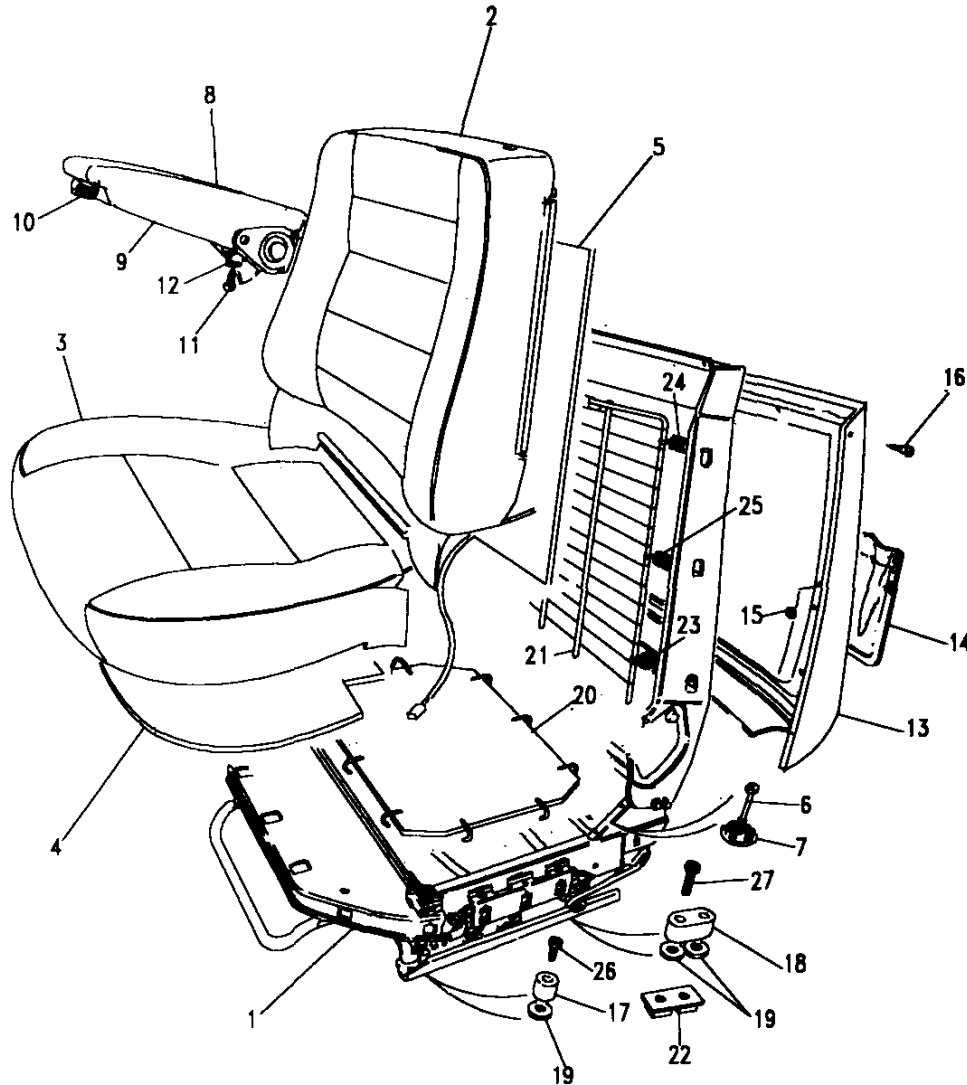


**Model** RANGE ROVER 1992 onwards  
**Page** BDRXEE1A

**SEATS - FRONT - ELECTRIC - 4 DOOR**

III. Part No.	Description	Qty	Remarks
<b>Leather - Sorrell brown</b>			
8	RTC6512	1	)
	RTC6513	1	)Note(1)
	BTR8173SUA	1	)
	BTR8174SUA	1	)Note(2)
	BTR7278SUA	1	)Note(3)
	BTR7277SUA	1	)Note(3)
9	RTC6528	1	)
	RTC6529	1	)Note(1)
	BTR8175SUA	1	)
	BTR8176SUA	1	)Note(2)
	BTR7284SUA	1	)
	BTR7285SUA	1	)Note(3)

Note(1) Up to KA636296  
 Note(2) From KA636297  
 Note(3) From MA647645

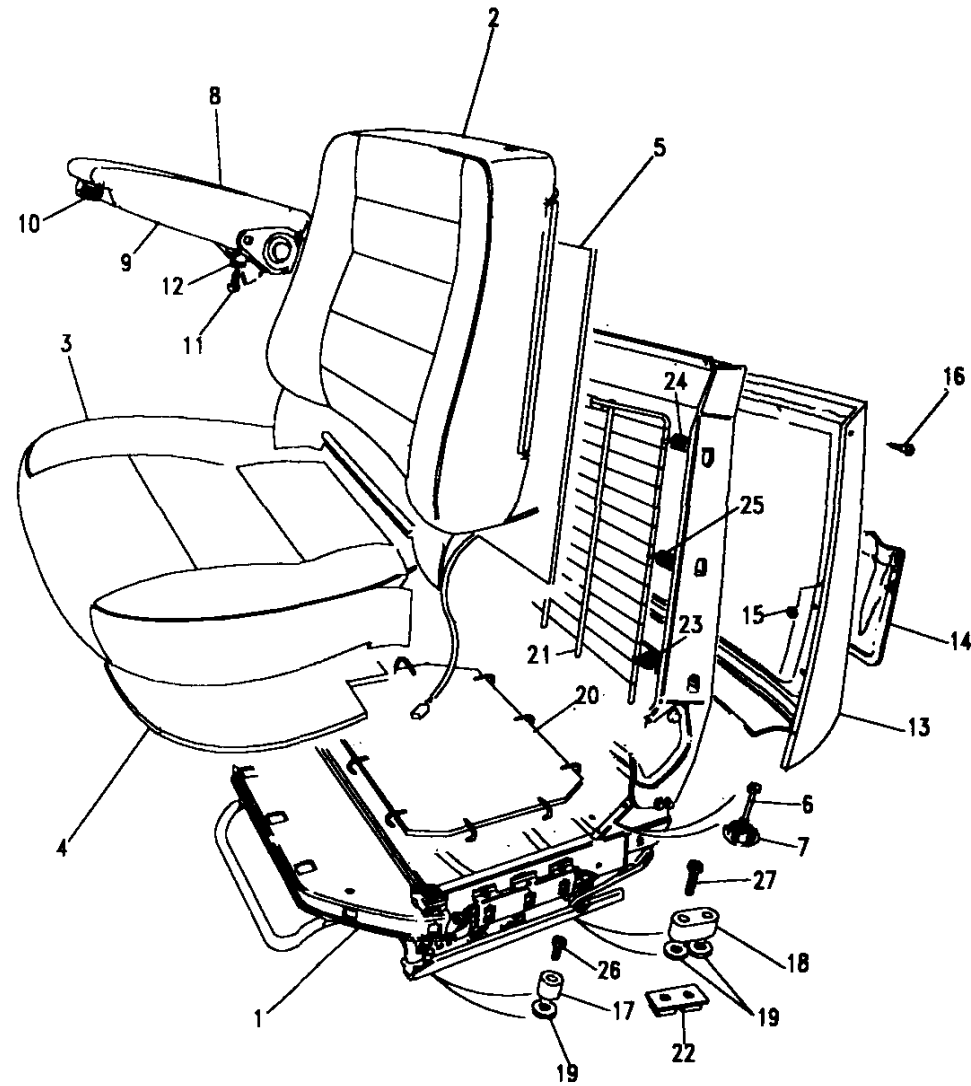


**Model** RANGE ROVER 1992 onwards  
**Page** BDRXEE1A

**SEATS - FRONT - ELECTRIC - 4 DOOR**

III. Part No.	Description	Qty	Remarks
<b>Leather - Winchester Grey - Up to JA624755</b>			
8	RTC6514	1	Armrest assembly RH
	RTC6515	1	Armrest assembly LH
9	RTC6530	1	Cover armrest RH
	RTC6531	1	Cover armrest LH
<b>Leather - Light Winchester - From KA624756</b>			
8	MWC5090LUV	1	Armrest assembly RH
	MWC5091LUV	1	Armrest assembly LH
	BTR8173LUV	1	Armrest assembly LH
	BTR8174LUV	1	Armrest assembly RH
9	MWC5088LUV	1	Cover armrest RH
	MWC5089LUV	1	Cover armrest LH
	BTR8175LUV	1	Cover armrest LH
	BTR8176LUV	1	Cover armrest RH
<b>Leather - Sable</b>			
8	MWC5090RWD	1	Armrest assembly RH
	MWC5091RWD	1	Armrest assembly LH
	BTR8173RWD	1	Armrest assembly LH
	BTR8174RWD	1	Armrest assembly RH
9	MWC5088RWD	1	Cover armrest RH
	MWC5089RWD	1	Cover armrest LH
	BTR8175RWD	1	Cover armrest LH
	BTR8176RWD	1	Cover armrest RH

Note(1) Up to KA636296  
 Note(2) From KA636297  
 Note(3) COLOUR CODE. RWD - Sable, LUV - Light Winchester,

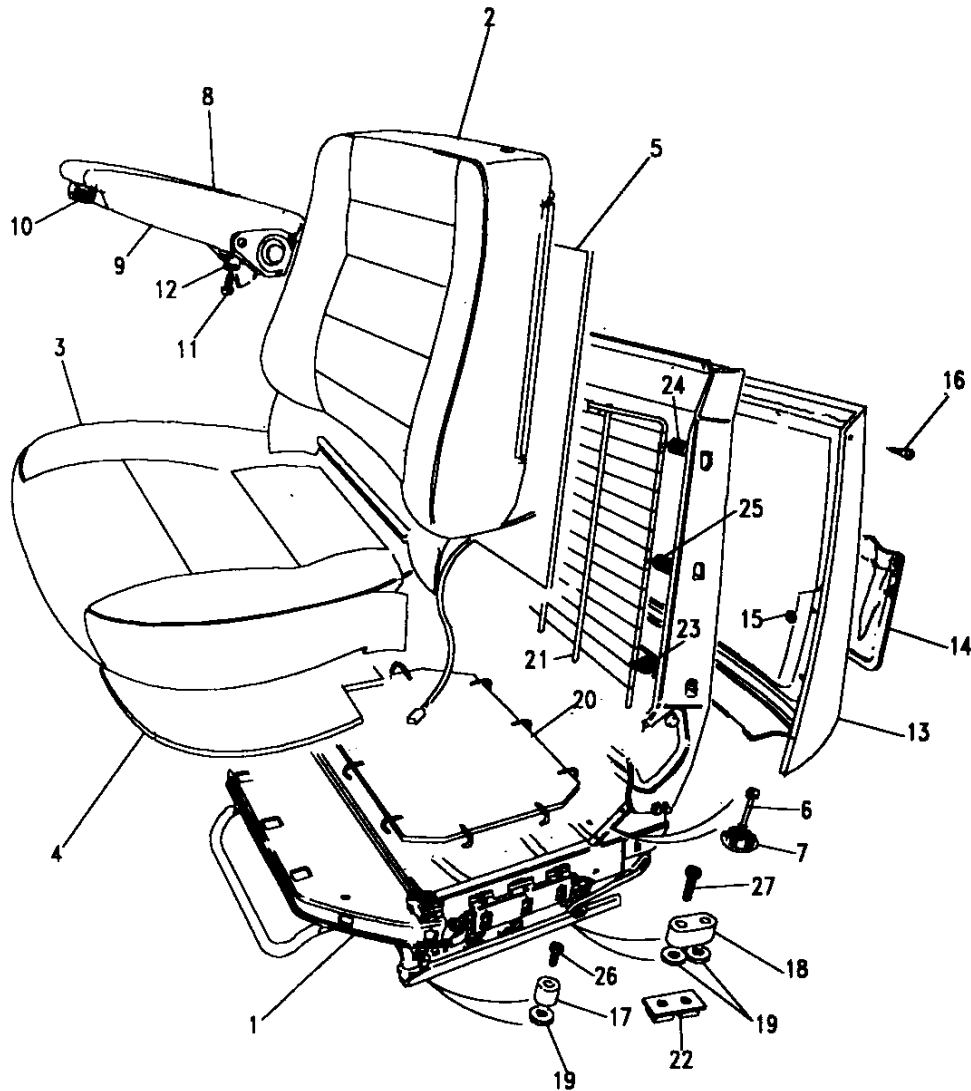


**Model** RANGE ROVER 1992 onwards  
**Page** BDRXEE1A

**SEATS - FRONT - ELECTRIC - 4 DOOR**

III. Part No.	Description	Qty	Remarks
<b>All variants</b>			
10	MUC1121SUA	2	
	MUC1121LUL	2	
	MUC1121RWD	2	
	MUC1121LOY	2	)Note(1)
	MUC1121LNF	2	)
11	SH605081L	4	
12	WM600051L	4	

Note(1) From MA647645



Model RANGE ROVER 1992 onwards  
Page BDRXEE1A

SEATS - FRONT - ELECTRIC - 4 DOOR

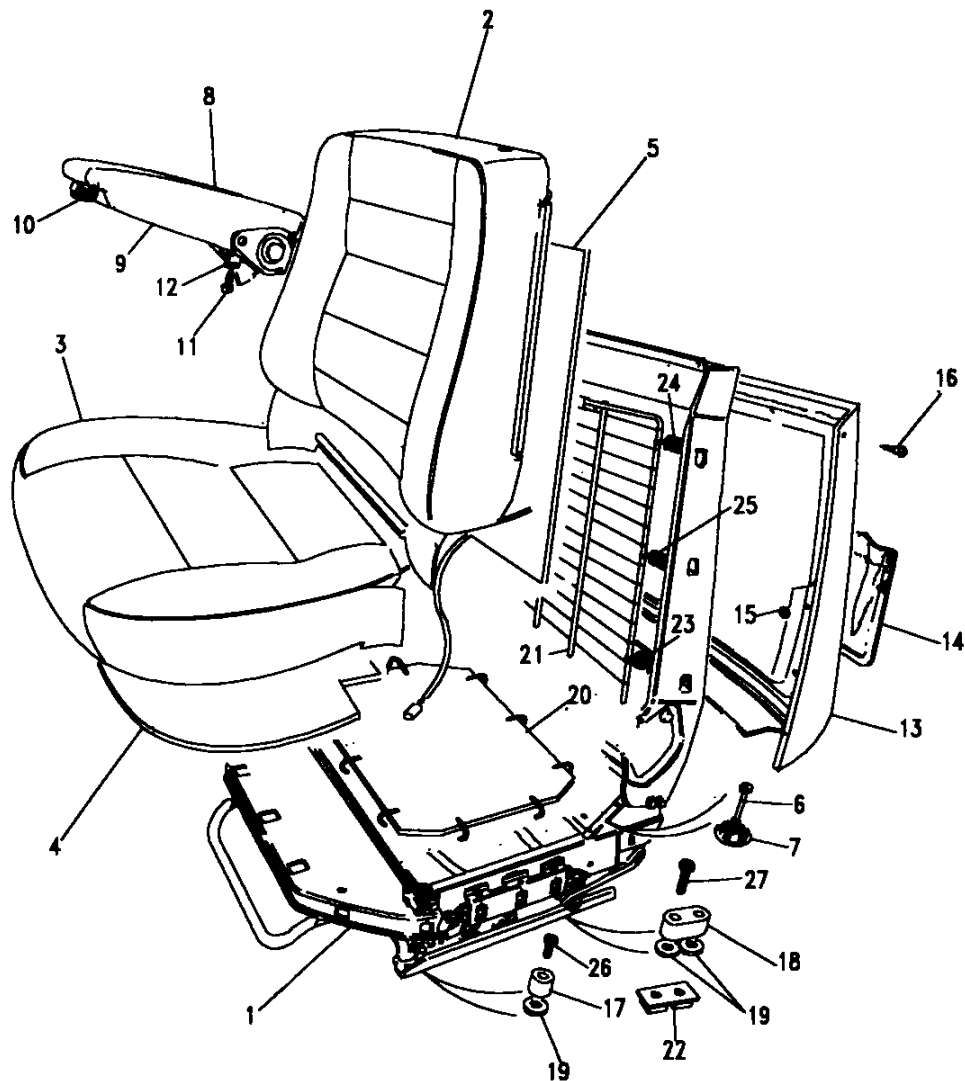
III. Part No.	Description	Qty	Remarks
<b>Velour</b>			
13 MWC8593AUE	Panel seatback	2	
MWC8593LUL	Panel seatback	2	
14 MWC8652SUA	Pocket	2	
MWC8652LUL	Pocket	2	
<b>Leather</b>			
13 MWC8594SUA	Panel seatback	2	
MWC8594LUL	Panel seatback	2	
MWC8594RWD	Panel seatback	2	
14 MWC8653SUA	Pocket	2	
MWC8653LUL	Pocket	2	
MWC8653RWD	Pocket	2	

Note(1) From MA647645  
Note(2) COLOUR CODE. AUE - Brogue, RWD - Sable, LUL - Winchester grey, SUA - Sorrell brown, LNF - Ash grey, LOY - Dark granite.

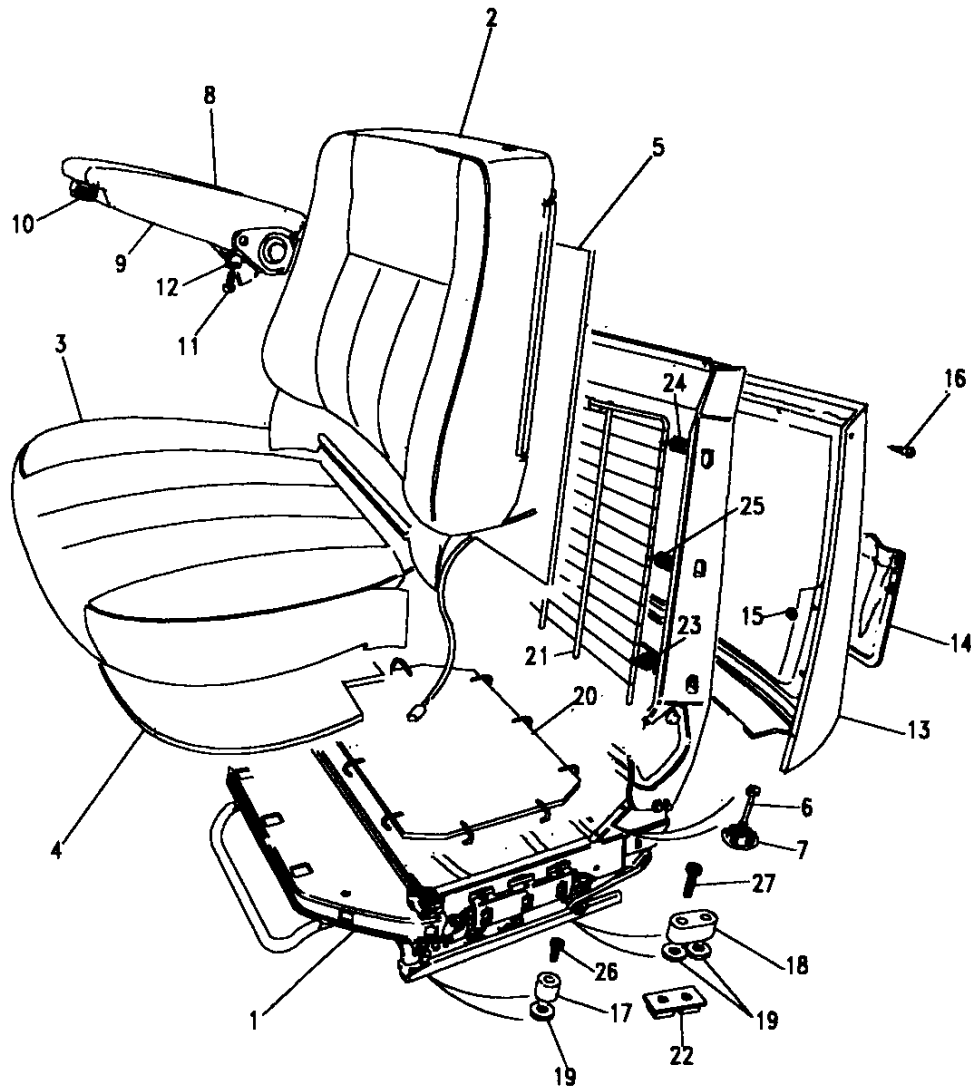


Model RANGE ROVER 1992 onwards  
 Page BDRXEE1A

SEATS - FRONT - ELECTRIC - 4 DOOR



III. Part No.	Description	Qty	Remarks
<b>All variants</b>			
15	AN104041L	12	Push on fix
16	DA606061L	4	Screw
17	MWC1388	4	Spacer
18	MWC1389	4	Spacer
19	MWC4804	6	Washer
20	MTC9931	1	Cushion Diaphragm
21	MTC9943	1	Diaphragm Squab
22	MWC2422	2	Nut plate
23	MUC1514	2	Spring
24	MUC1515	2	Spring
25	MUC1516	2	Spring
26	SB108201L	12	Screw
27	SB108401	12	Screw

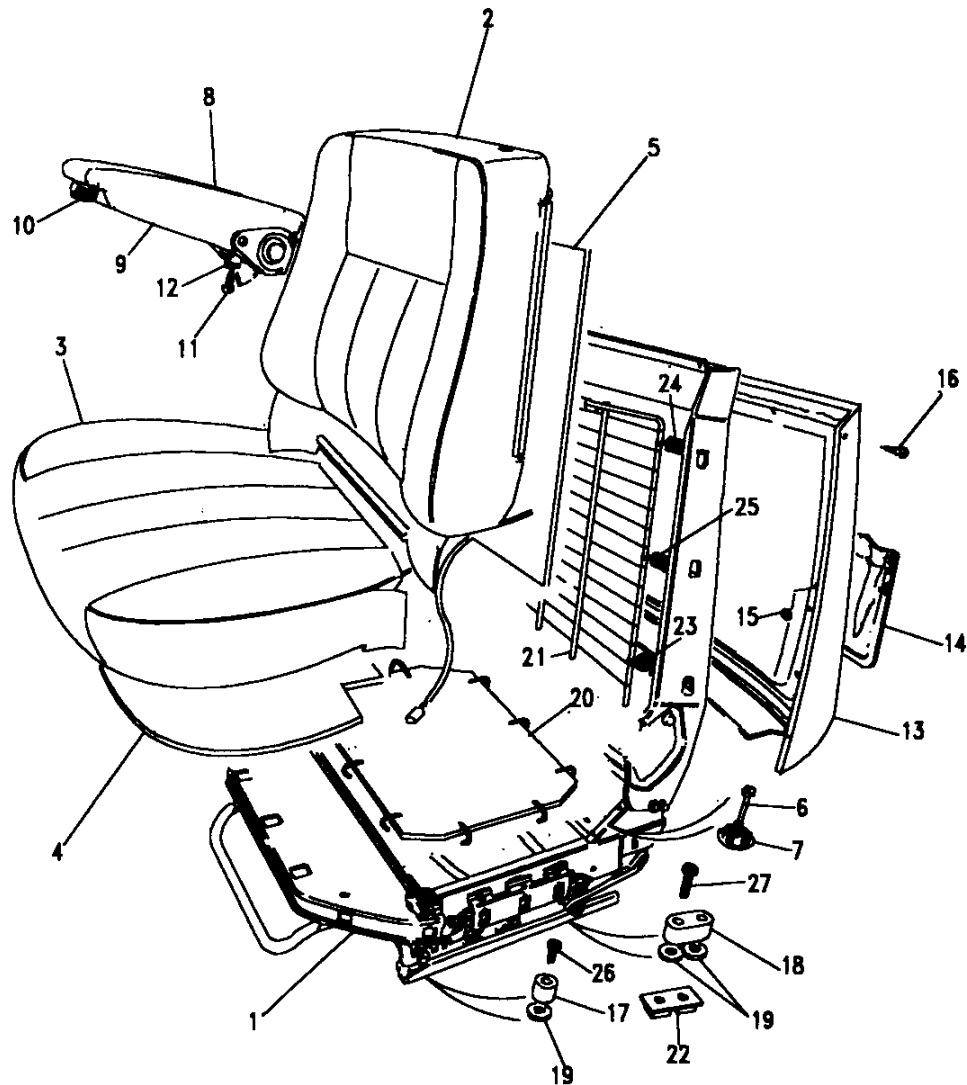


**Model** RANGE ROVER 1992 onwards  
**Page** BDRXEE2A

**SEATS - FRONT - HEATED/MEMORY - LIGHTSTONE LEATHER**

III. Part No.	Description	Qty	Remarks
<b>Heated only</b>			
BTR8372SMK	Seat assembly RH	1	
BTR7382SMK	Seat assembly RH	1	Note(1)
BTR8373SMK	Seat assembly LH	1	
BTR7383SMK	Seat assembly LH	1	Note(1)
<b>Heated - Memory</b>			
BTR8376SMK	Seat assembly RH	1	
BTR7378SMK	Seat assembly RH	1	Note(1)
BTR8377SMK	Seat assembly LH	1	
BTR7379SMK	Seat assembly LH	1	Note(1)
<b>Heated seats - frame</b>			
1 BTR2671PMA	Seat frame	2	
BTR8507PMA	Seat frame	2	Note(1)
<b>Heated &amp; Memory - frame</b>			
1 BTR2670PMA	Seat frame	2	
BTR8506PMA	Seat frame	2	Note(1)

Note(1) From MA647645



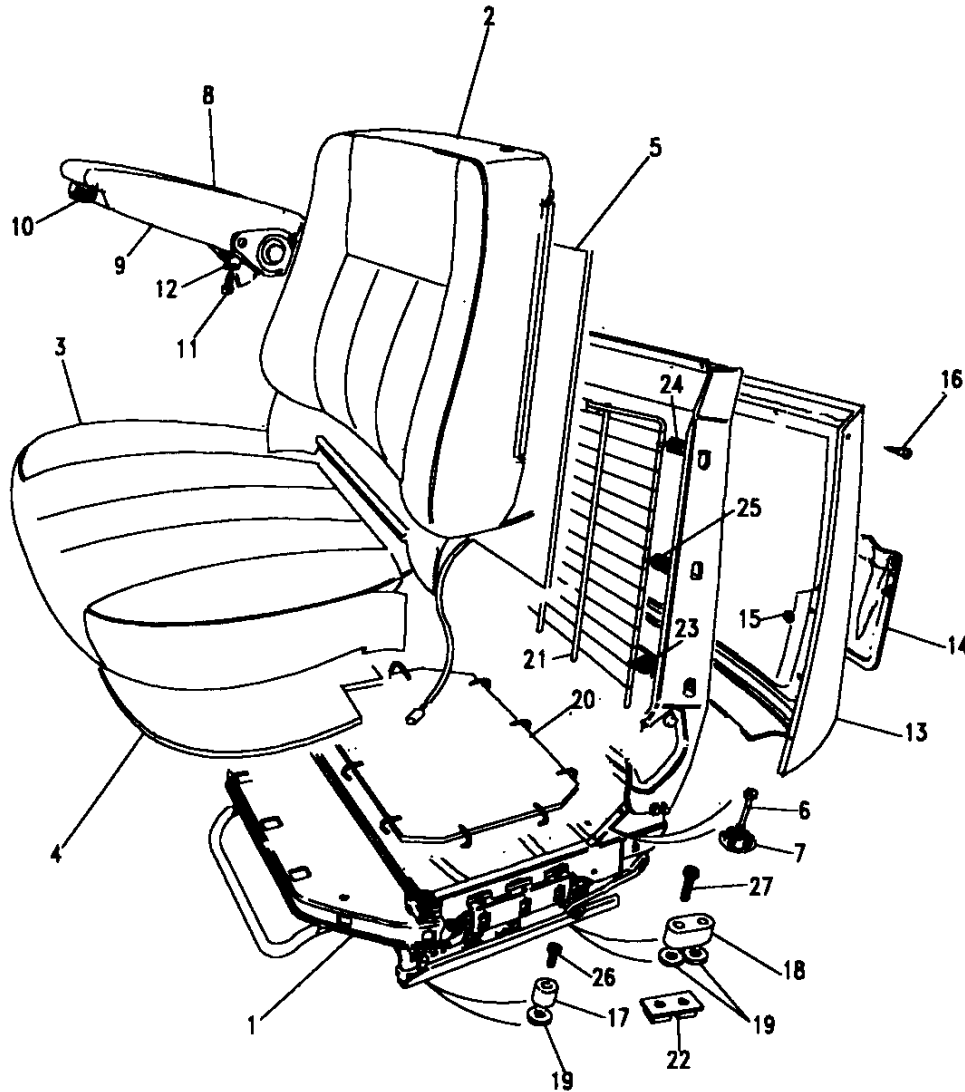
**Model** RANGE ROVER 1992 onwards  
**Page** BDRXEE2A

**SEATS - FRONT - HEATED/MEMORY - LIGHTSTONE LEATHER**

III. Part No.	Description	Qty	Remarks
<b>All variants</b>			
2	BTR8366SMK	2	Squab cover
	BTR8608SMK	2	Squab cover RH
	BTR8607SMK	2	Squab cover LH
3	BTR8365SMK	2	Cushion cover
	BTR7429SMK	2	Cushion cover
4	STC514	1	Pad heated seat RH
	STC420	1	Pad heated seat LH
5	STC422	1	Pad heated seat
6	AFU4056	4	Clip
7	BRC5803	8	Washer
8	BTR8174SMK	1	Armrest assembly RH
	BTR7278SMK	1	Armrest assembly RH
	BTR8173SMK	1	Armrest assembly LH
	BTR7277SMK	1	Armrest assembly LH
9	BTR8176SMK	1	Cover armrest RH
	BTR7284SMK	1	Cover armrest RH
	BTR8175SMK	1	Cover armrest LH
	BTR7285SMK	1	Cover armrest LH

Note(1) From MA647645  
 Note(2) COLOUR CODE SMK - Lightstone PMA - Black



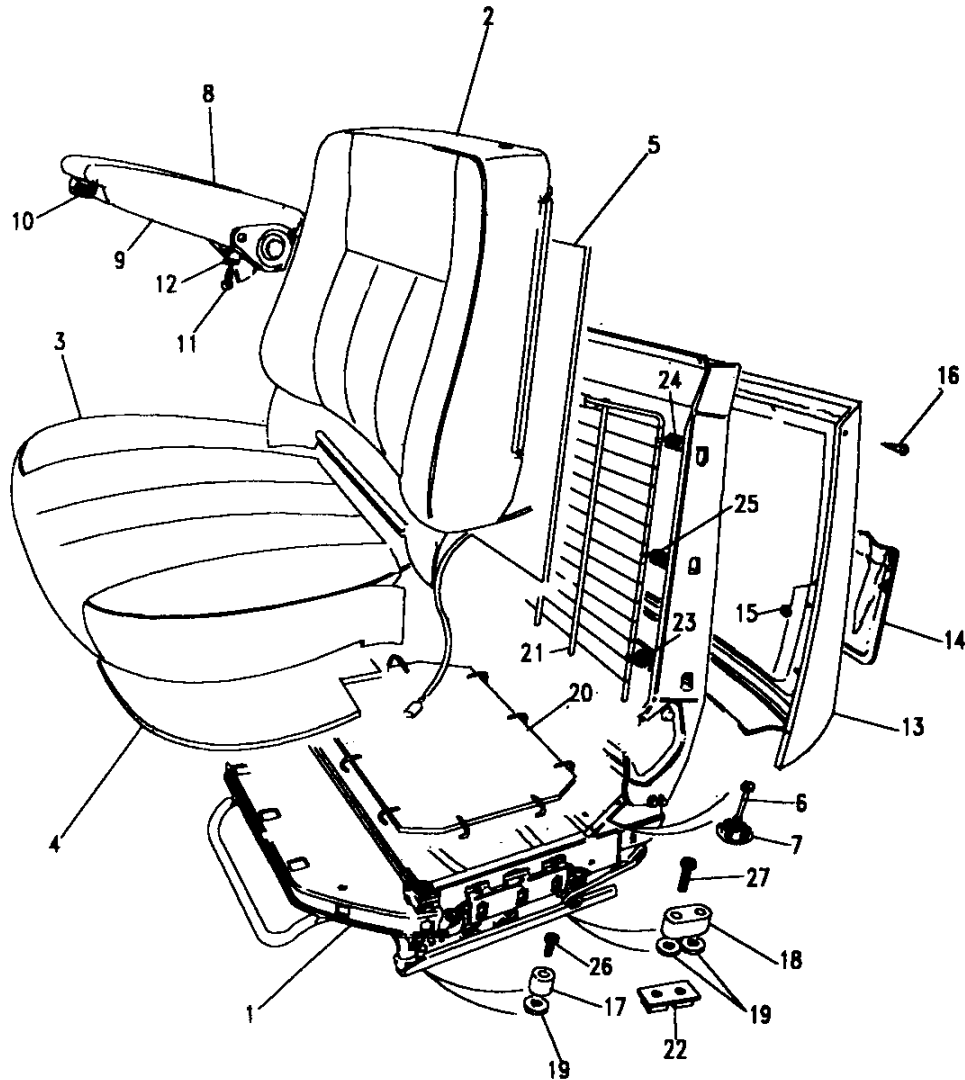


**Model** RANGE ROVER 1992 onwards  
**Page** BDRXEE2A

**SEATS - FRONT - HEATED/MEMORY - LIGHTSTONE LEATHER**

Ill. Part No.	Description	Qty	Remarks
10	MUC1121SUA Knob	2	
11	SH605061L Screw	4	
12	WM600051L Washer spring	4	
13	MWC8594SUA Panel seatback	2	
14	MWC8653SUA Pocket	2	
15	AN104041L Push on fix	12	
16	DA606061L Screw	4	
17	MWC1388 Spacer	4	Front
18	MWC1389 Spacer	4	Rear
19	MWC4804 Washer	6	
20	MTC9931 Diaphragm	1	Cushion
21	MTC9943 Diaphragm	1	Sqaub
22	MWC2422 Nut plate	2	
23	MUC1514 Spring	2	Bottom
24	MUC1515 Spring	2	Top
25	MUC1516 Spring	2	Middle
26	SB108201L Screw	12	
27	SB108401 Screw	12	

Note(1) COLOUR CODE SUA - Sorrell brown.

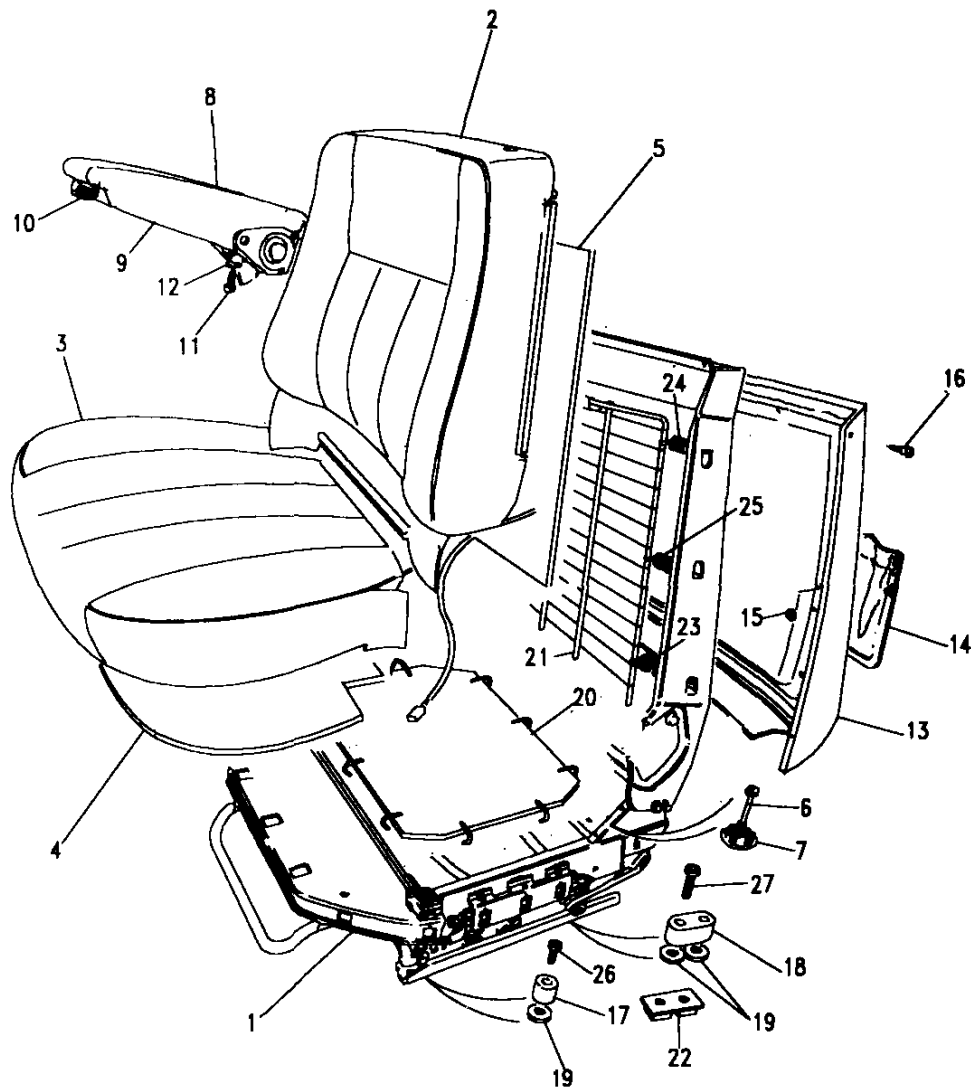


**Model** RANGE ROVER 1992 onwards  
**Page** BDRXEE2A

**SEATS - FRONT - HEATED - MEMORY - LSE ONLY - SADDLE**

III. Part No.	Description	Qty	Remarks
<b>Heated only</b>			
BTR1936AUK	Seat assembly RH	1	)Note(1)
BTR1935AUK	Seat assembly LH	1	
BTR8428AUK	Seat assembly RH	1	)Note(2)
BTR8429AUK	Seat assembly LH	1	
<b>Heated - Memory</b>			
BTR1938AUK	Seat assembly RH	1	)Note(1)
BTR1937AUK	Seat assembly LH	1	
BTR8418AUK	Seat assembly RH	1	)Note(2)
BTR8419AUK	Seat assembly LH	1	
<b>Heated seats - frame</b>			
1 BTR2671PMA	Seat frame	2	
<b>Heated &amp; Memory - frame</b>			
1 BTR2670PMA	Seat frame	2	
<b>All variants</b>			
2 BTR1940AUK	Squab cover	2	
3 BTR1939AUK	Cushion cover	2	
4 STC514	Pad heated seat RH	1	)Cushion
STC420	Pad heated seat LH	1	

Note(1) Up to KA640177  
 Note(2) From KA640178  
 Note(3) COLOUR CODE RUN - Bokhara AUK - Saddle

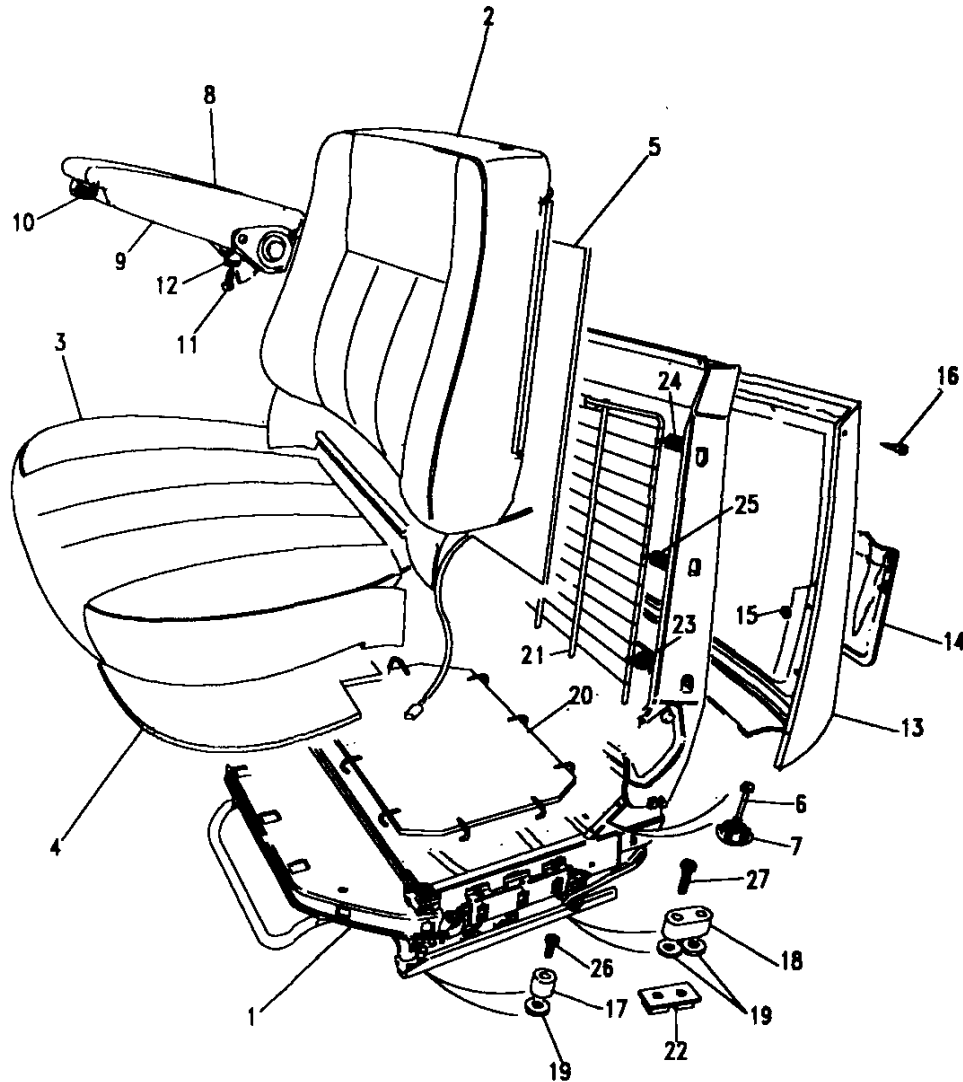


**Model** RANGE ROVER 1992 onwards  
**Page** BDRXEE2A

**SEATS - FRONT - HEATED - MEMORY - LSE ONLY - SADDLE**

III. Part No.	Description	Qty	Remarks
5	STC422	1	Squab
6	AFU4056	4	
7	BRC5803	8	
8	BTR8184AUK	1	
	BTR8183AUK	1	
9	BTR2770AUK	1	)Note(1)
	BTR2769AUK	1	)
	BTR8186AUK	1	)Note(2)
	BTR8185AUK	1	)
10	MUC1121AUK	2	
11	SH605061L	4	
12	WM600051L	4	
13	MWC8594AUK	2	
14	MWC8653AUK	2	
15	AN104041L	12	
16	DA606061L	4	
17	MWC1388	4	Front
18	MWC1389	4	Rear

Note(1) Up to KA636296  
 Note(2) From KA636297

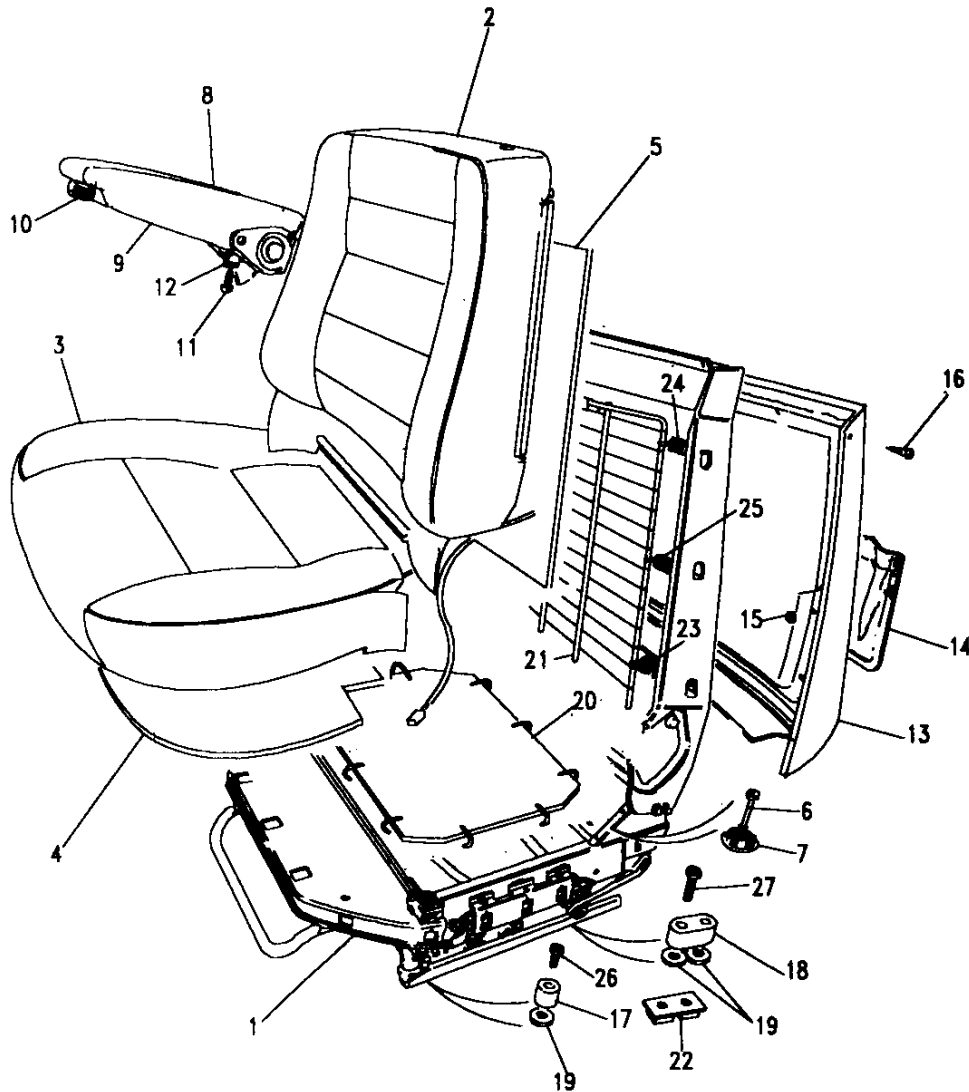


**Model** RANGE ROVER 1992 onwards  
**Page** BDRXEE2A

**SEATS - FRONT - HEATED - MEMORY - LSE ONLY - SADDLE**

III. Part No.	Description	Qty	Remarks
19	MWC4804 Washer	6	
20	MTC9931 Diaphragm	1	Cushion
21	MTC9943 Diaphragm	1	Sqaub
22	MWC2422 Nut plate	2	
23	MUC1514 Spring	2	Bottom
24	MUC1515 Spring	2	Top
25	MUC1516 Spring	2	Middle
26	SB108201L Screw	12	
27	SB108401 Screw	12	

Note(1) COLOUR CODE AUK - Saddle

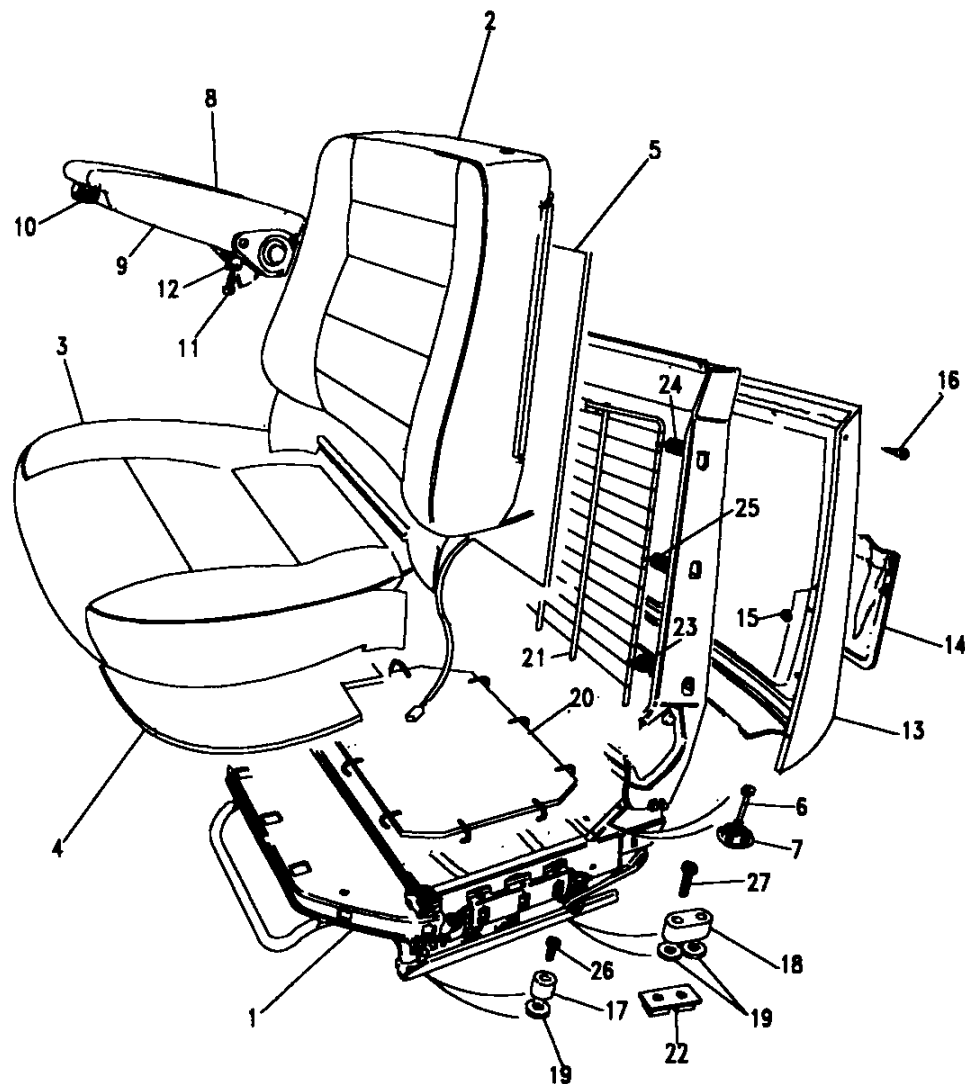


**Model** RANGE ROVER 1992 onwards  
**Page** BDRXEE3A

**SEATS - FRONT - HEATED - MEMORY - LSE ONLY - DARK SABLE**

III. Part No.	Description	Qty	Remarks
<b>Heated only</b>			
BTR2872RWD	Seat assembly RH	1	)
BTR2871RWD	Seat assembly LH	1	)Note(1)
BTR8430RWD	Seat assembly RH	1	)
BTR4311RWD	Seat assembly LH	1	)Note(2)
<b>Heated - Memory</b>			
BTR2879RWD	Seat assembly LH	1	)
BTR2880RWD	Seat assembly RH	1	)Note(1)
BTR8421RWD	Seat assembly LH	1	)
BTR8420RWD	Seat assembly RH	1	)Note(2)
<b>Heated seats - frame</b>			
1 BTR2671PMA	Seat frame	2	
<b>Heated &amp; Memory - frame</b>			
1 BTR2670PMA	Seat frame	2	
<b>All variants</b>			
2 BTR726RWD	Squab cover	2	
3 BTR724RWD	Cushion cover	2	
4 STC514	Pad heated seat RH	1	)
STC420	Pad heated seat LH	1	)Cushion

Note(1) Up to KA640177  
 Note(2) From KA640178  
 Note(3) COLOUR CODE RUN - Bokhara AUK - Tan



**Model** RANGE ROVER 1992 onwards  
**Page** BDRXEE3A

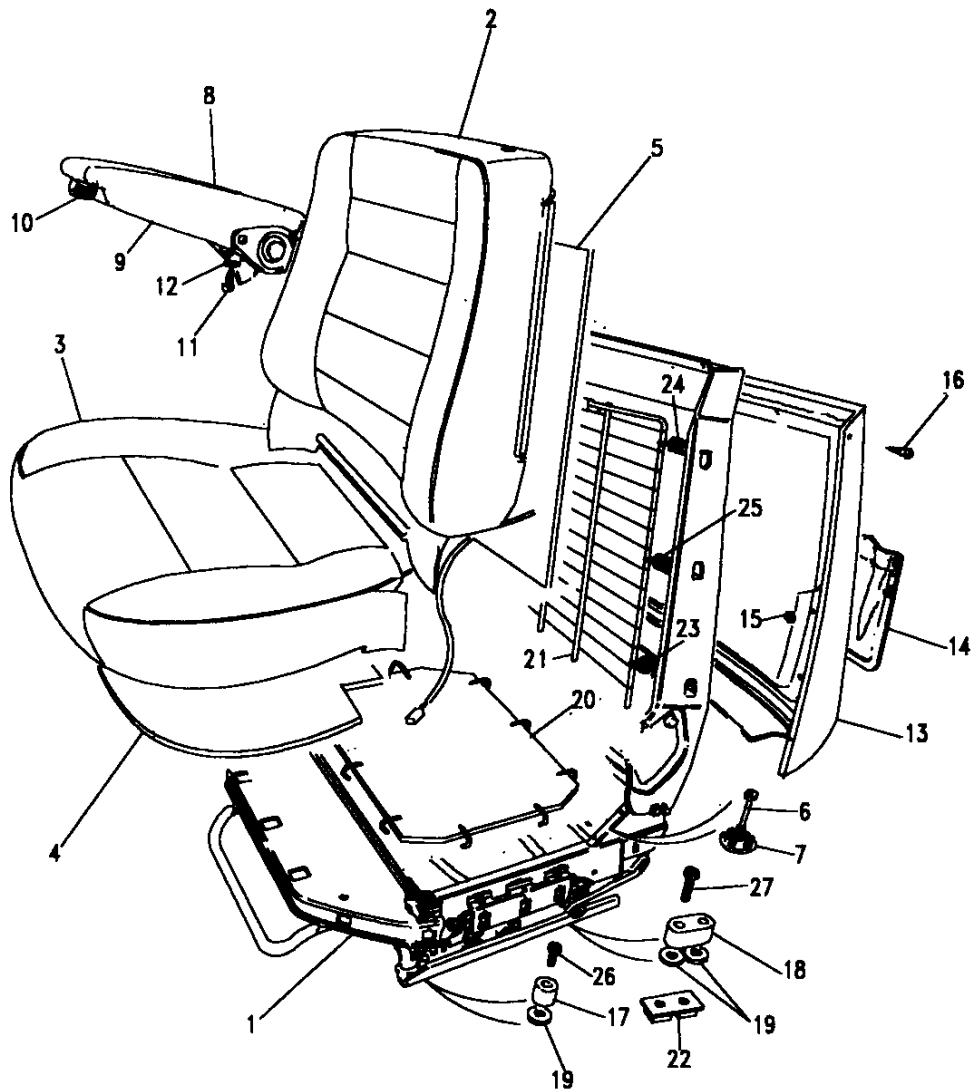
**SEATS - FRONT - HEATED - MEMORY - LSE ONLY - DARK SABLE**

Ill. Part No.	Description	Qty	Remarks
5	STC422	1	Squab
6	AFU4056	4	
7	BRC5803	8	
8	MWC5090RWD	1	)Note(1)
	MWC5091RWD	1	
	BTR8174RWD	1	)Note(2)
	BTR8173RWD	1	
9	MWC5088RWD	1	)Note(1)
	MWC5089RWD	1	
	BTR8176RWD	1	)Note(2)
	BTR8175RWD	1	
10	MUC1121RWD	2	
11	SH605061L	4	
12	WM600051L	4	
13	MWC8594RWD	2	
14	MWC8653RWD	2	
15	AN104041L	12	
16	DA606061L	4	
17	MWC1388	4	Front
18	MWC1389	4	Rear

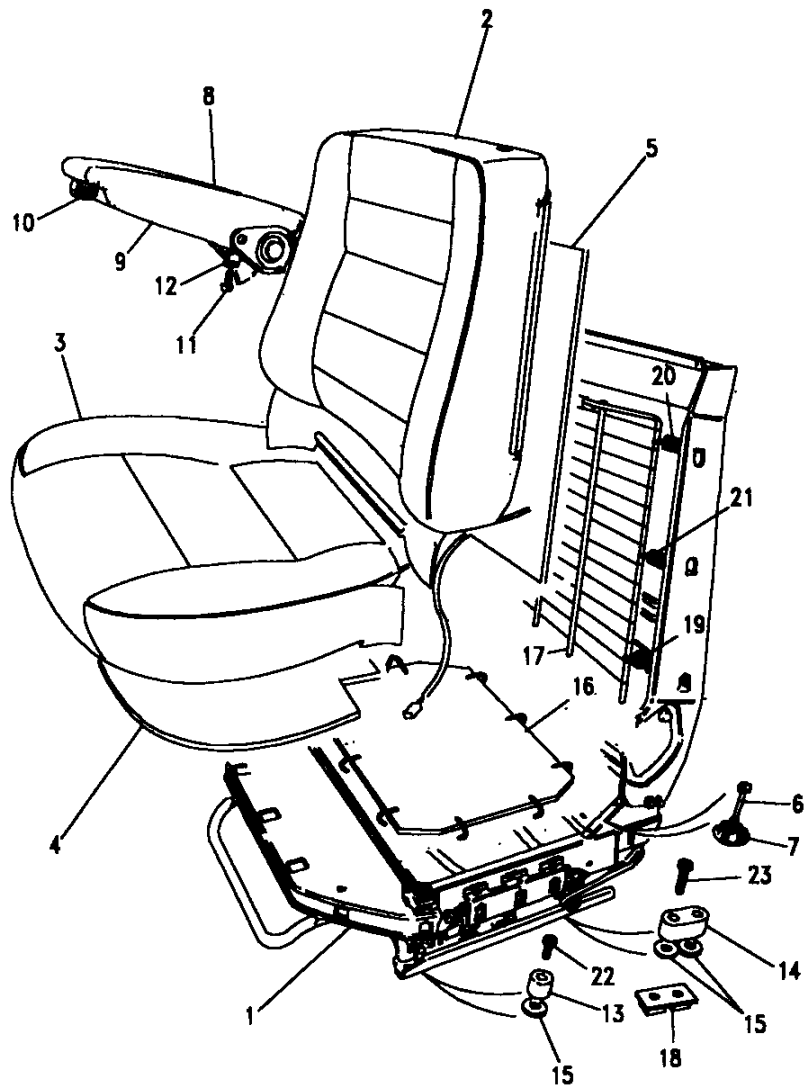
Note(1) Up to KA636296  
 Note(2) From KA636297  
 Note(3) COLOUR CODE RWD - Sable

**Model** RANGE ROVER 1992 onwards  
**Page** BDRXEE3A

**SEATS - FRONT - HEATED - MEMORY - LSE ONLY - DARK SABLE**



III. Part No.	Description	Qty	Remarks
19	MWC4804 Washer	6	
20	MTC9931 Diaphragm	1	Cushion
21	MTC9943 Diaphragm	1	Sqaub
22	MWC2422 Nut plate	2	
23	MUC1514 Spring	2	Bottom
24	MUC1515 Spring	2	Top
25	MUC1516 Spring	2	Middle
26	SB108201L Screw	12	
27	SB108401 Screw	12	



**Model** RANGE ROVER 1992 onwards

**Page** BDRXEE4A

**SEATS - FRONT - 25th ANNIVERSARY Ltd EDITION GULF STATES**

Ill. Part No.	Description	Qty	Remarks
<b>Seat - Memory - Leather.</b>			
BTR7381SMK	Seat assembly LH	1	
<b>Seat - Power - Leather.</b>			
BTR7384SMK	Seat assembly RH	1	
<b>Seat frame memory</b>			
1 BTR8483PMA	Seat frame LH	1	
<b>Seat frame power</b>			
1 BTR8507PMA	Seat frame RH	1	
2 BTR8607SMK	Cover squab LH	2	
BTR8608SMK	Cover squab RH	2	
3 BTR7429SMK	Cover cushion	2	
4 STC514	Pad heated seat RH	1	)Cushion
STC420	Pad heated seat LH	1	
5 STC422	Pad heated seat	1	
6 AFU4056	Clip	4	Squab
7 BRC5803	Washer	8	
8 BTR7278SMK	Armrest assembly RH	1	
BTR7277SMK	Armrest assembly LH	1	
9 BTR7284SMK	Cover armrest RH	1	
BTR7285SMK	Cover armrest LH	1	

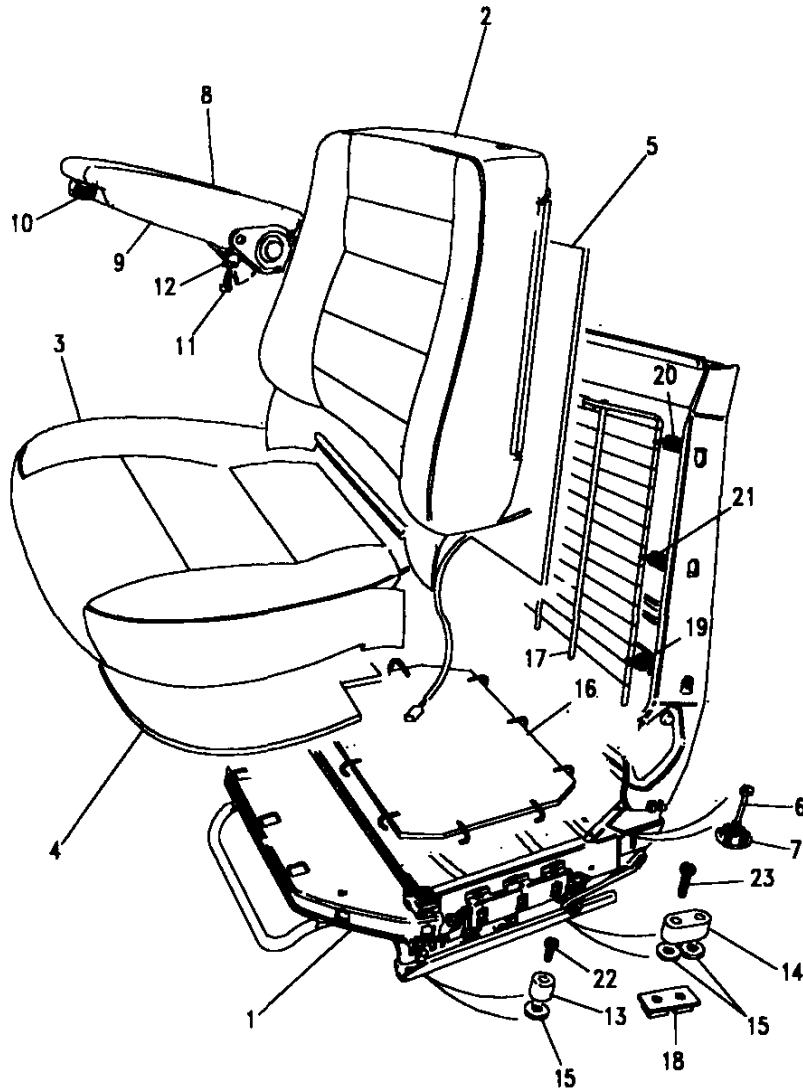
Note(1) COLOUR CODE SMK - Lightstone, PMA - Black.

:p • LMPUT  
 DATAID(ISR00001)  
 MODE(INVAR)  
 DATALOC(DBUFN)  
 DATALEN( 190)  
 190



**Model** RANGE ROVER 1992 onwards  
**Page** BDRXEE4A

**SEATS - FRONT - 25th ANNIVERSARY Ltd EDITION GULF STATES**



III. Part No.	Description	Qty	Remarks
10	MUC1121SUA Knob	1	
11	SH605061L Screw	4	
13	WM6000511 Washer spring	4	
14	MWC1388 Spacer	4	Front
15	MWC1389 Spacer	4	Rear
16	MWC4804 Washer	6	
17	MTC9931 Diaphragm	1	Cushion
18	MTC9943 Diaphragm	1	Sqaub
19	MWC2422 Nut plate	2	
20	MUC1514 Spring	2	Bottom
21	MUC1515 Spring	2	Top
22	MUC1516 Spring	2	Middle
23	SB108201L Screw	12	
24	SB108401 Screw	12	

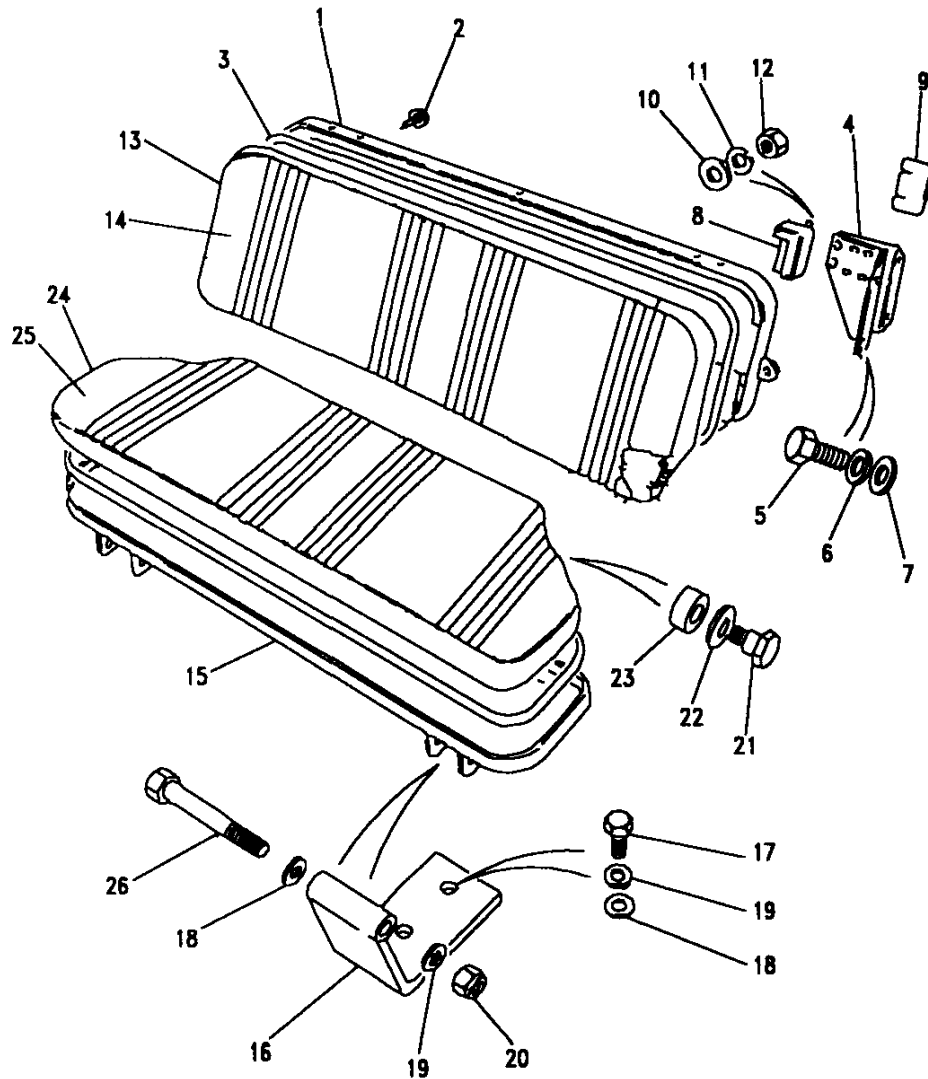
Note(1) COLOUR CODE SMK - Lightstone,

**Model** RANGE ROVER 1992 onwards  
**Page** BDRXGA1A

**SEATS - REAR BENCH TYPE SEATS**

Ill. Part No.	Description	Qty	Remarks
1	MRC1530RUN Squab frame assembly	1	
2	AB610041L Screw	16	
3	391133RUN Beading	1	
4	MRC3661 Bracket RH	1	
	MRC3662 Bracket LH	1	
5	255206 Screw	8	
6	WM600041L Washer spring	8	
7	RTC618 Washer plain	8	
8	MRC1785 Buffer RH	1	
	MRC1786 Buffer LH	1	
9	MRC2371 Shim	2	
10	4034L Washer plain	4	
11	WM702001L Washer spring	4	
12	HN2005L Nut	4	
13	MWC6822AUE Squab assembly	1	
14	MXC4838AUE Cover squab	1	
15	MTC9333RUN Frame assembly	1	
16	MTC9334RUN Pivot bracket	2	
17	SH605071L Bolt	4	
18	WA108051L Washer plain	4	
19	WL108001L Washer spring	4	
20	NY108041L Nut	4	

Note(1) COLOUR CODE AUE - Brogue, RUN - Bokhara.

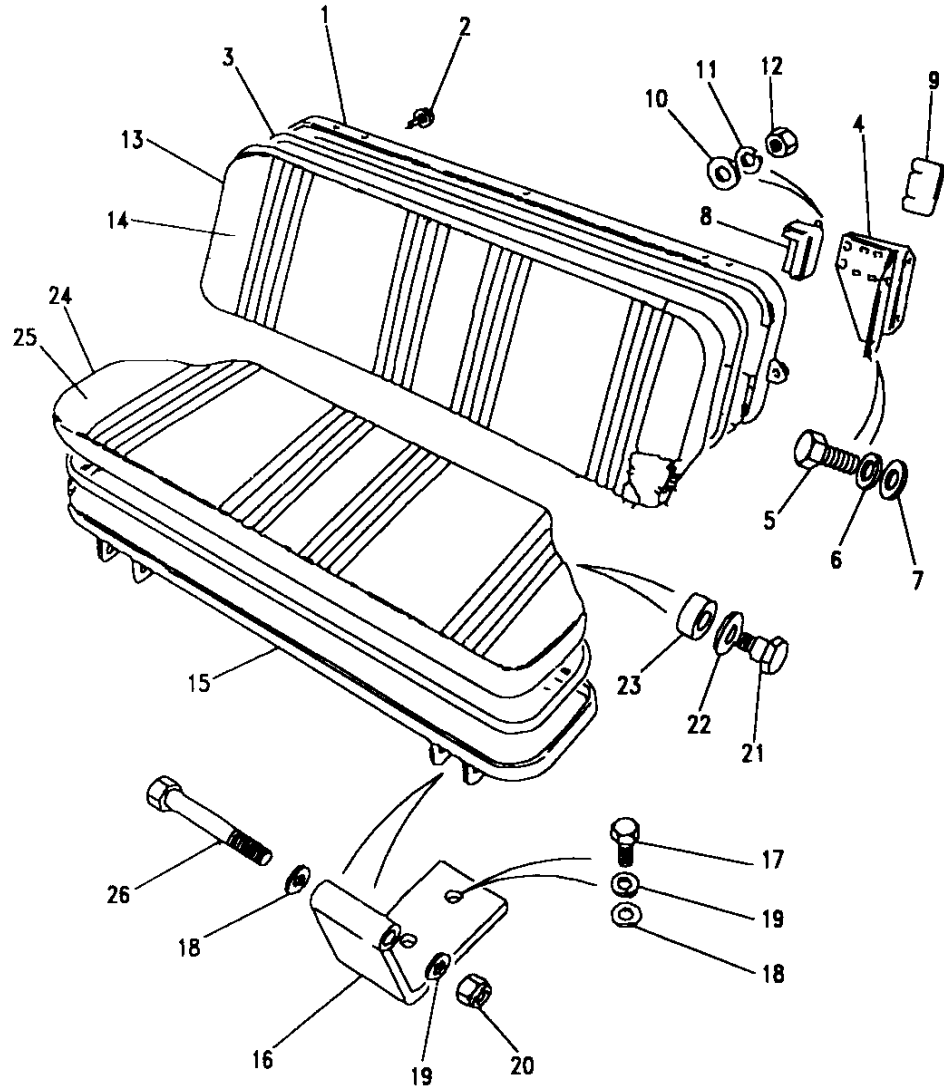


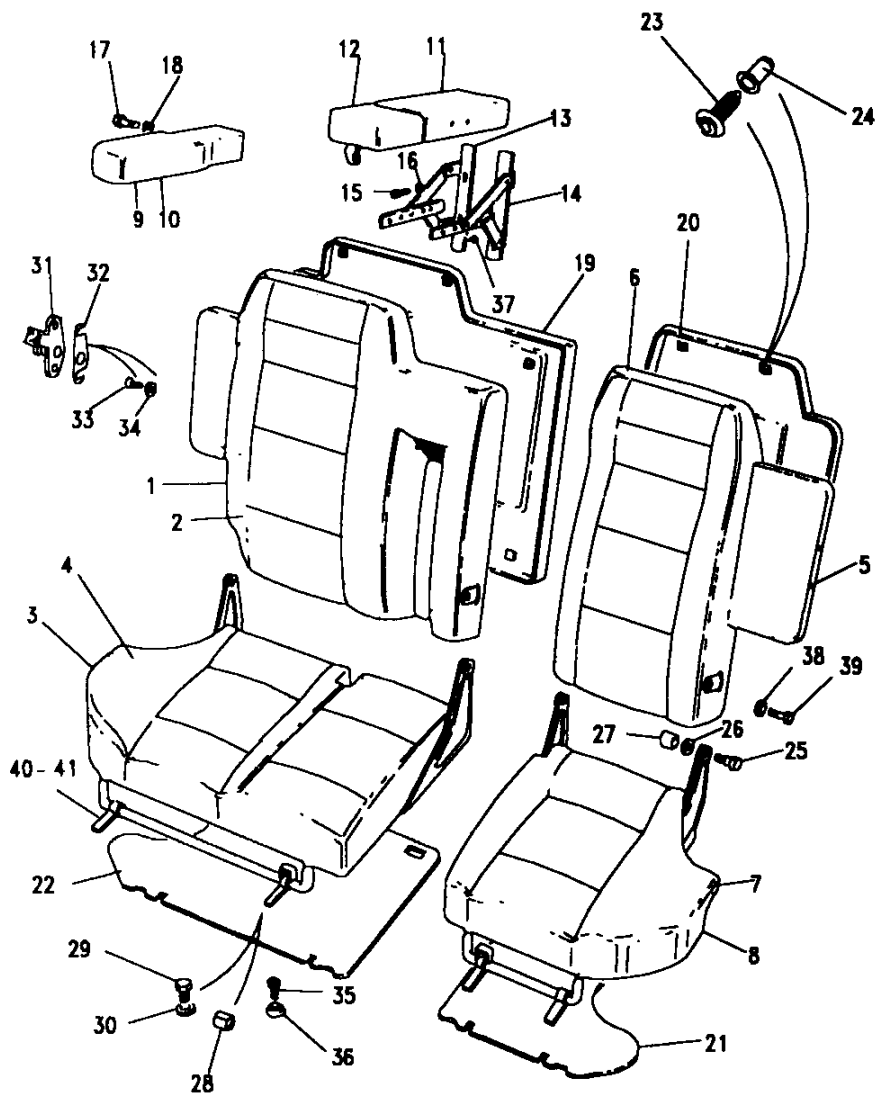
**Model** RANGE ROVER 1992 onwards  
**Page** BDRXGA1A

**SEATS - REAR BENCH TYPE SEATS**

Ill. Part No.	Description	Qty	Remarks
21	Bolt	2	
22	Washer plain	2	
23	Spacer	2	
24	Cushion assembly	1	
25	Cover cushion	1	
26	Bolt	2	

Note(1) COLOUR CODE AUE - Brogue, RUN - Bokhara.



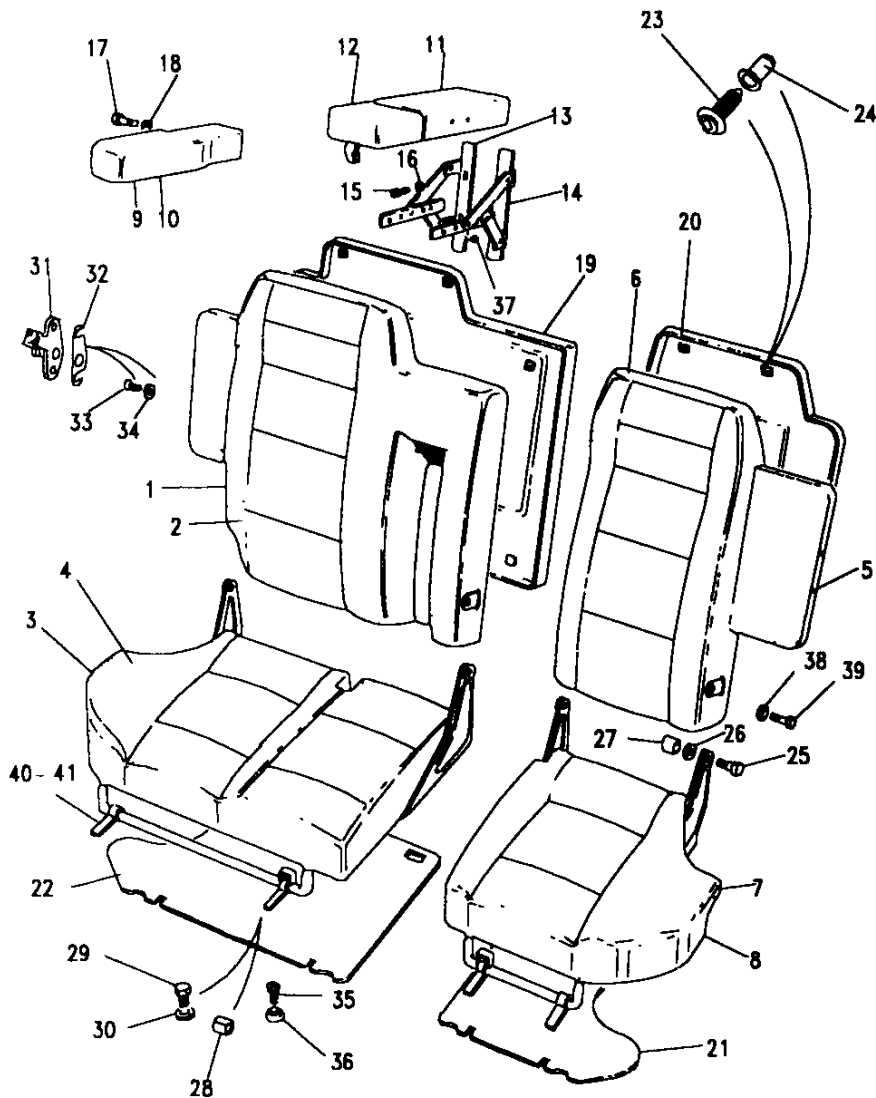


**Model** RANGE ROVER 1992 onwards  
**Page** BDRXGC1A

**SEATS - REAR SEATS - VELOUR**

III. Part No.	Description	Qty	Remarks
<b>2/3 Squab</b>			
1	MWC9698AUE	1	)
	MWC9698LUL	1	)Note(1)
	BTR6438LUL	1	)
	BTR6438AUE	1	)Note(2)
	BTR8475AUE	1	)
	BTR8475LUL	1	)Note(3)
	BTR8475LOY	1	Note(5)
2	MXC4829AUE	1	Cover 2/3 squab
	MXC4829LUL	1	Cover 2/3 squab
	MXC4829LOY	1	Note(5)
<b>2/3 Cushion</b>			
3	MWC9804AUE	1	)
	MWC9804LUL	1	)Note(4)
	BTR8477LUL	1	)
	BTR8477AUE	1	)Note(3)
	BTR8477LOY	1	Note(5)

Note(1) Up to JA624755  
 Note(2) From KA624756 up to KA640177  
 Note(3) From KA640178  
 Note(4) Up to KA604177  
 Note(5) From MA647645  
 Note(6) COLOUR CODE AUE - Brogue, LUL - Winchester grey, LOY - Dark granite.

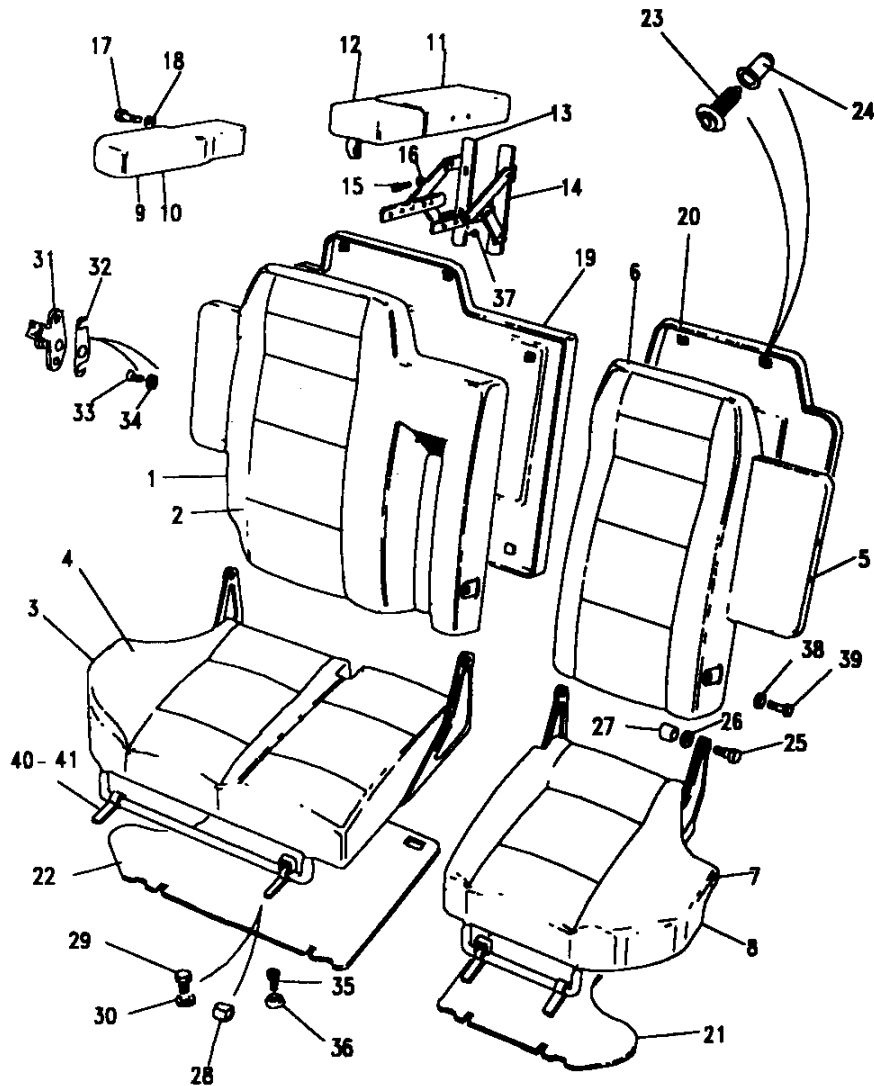


**Model** RANGE ROVER 1992 onwards  
**Page** BDRXGC1A

**SEATS - REAR SEATS - VELOUR**

Ill. Part No.	Description	Qty	Remarks
4	MXC4827AUE MXC4827LUL MXC4827LOY	1 1 1	Cover 2/3 cushion Cover 2/3 cushion Cover 2/3 cushion Note(5)
<b>1/3 Squab</b>			
5	MWC9699AUE MWC9699LUL BTR6437LUL BTR6437AUE BTR8474LUL BTR8474AUE BTR8474LOY	1 1 1 1 1 1 1	Squab assembly 1/3 Squab assembly 1/3 Squab assembly 1/3 Squab assembly 1/3 Squab assembly 1/3 Squab assembly 1/3 Squab assembly 1/3 ) )Note(1) ) )Note(2) ) )Note(3) )Note(5)
6	MXC4833AUE MXC4833LUL MXC4833LOY	1 1 1	Cover 1/3 squab Cover 1/3 squab Cover 1/3 squab Note(5)
<b>1/3 Cushion</b>			
7	MWC9805AUE MWC9805LUL BTR8476LUL BTR8476AUE BTR8476LOY	1 1 1 1 1	Cushion assembly 1/3 Cushion assembly 1/3 Cushion assembly 1/3 Cushion assembly 1/3 Cushion assembly 1/3 ) )Note(4) ) )Note(3) Note(5)
8	MXC4831AUE MXC4831LUL MXC4831LOY	1 1 1	Cover 1/3 Seat Cover 1/3 Seat Cover 1/3 Seat Note(5)

Note(1) Up to JA624755  
 Note(2) From KA624756 up to KA640177  
 Note(3) From KA640178  
 Note(4) Up to KA604177  
 Note(5) From MA647645



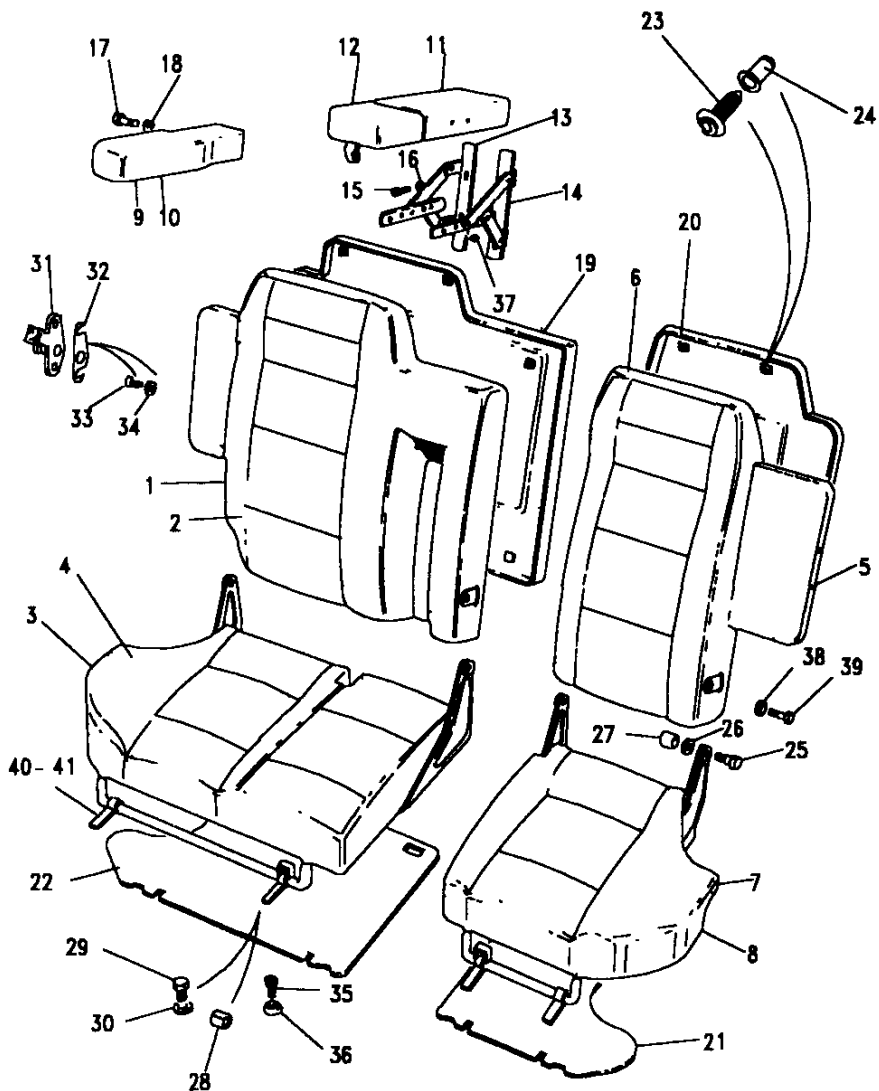
**Model** RANGE ROVER 1992 onwards  
**Page** BDRXGC1A

**SEATS - REAR SEATS - VELOUR**

III. Part No.	Description	Qty	Remarks
<b>Armrest 1/3 Squab</b>			
9	MXC6987AUE	1	Armrest assembly
	MXC6987LUL	1	Armrest assembly
	MXC6987LOY	1	Armrest assembly
10	MXC7001AUE	1	Cover armrest
	MXC7001LUL	1	Cover armrest
	MXC7001LOY	1	Cover armrest
<b>Armrest 2/3 Squab</b>			
9	MXC6988AUE	1	Armrest assembly
	MXC6988LUL	1	Armrest assembly
	MXC6988LOY	1	Armrest assembly
10	MXC7002AUE	1	Cover armrest
	MXC7002LUL	1	Cover armrest
	MXC7002LOY	1	Cover armrest
<b>Armrest Centre</b>			
11	MXC6465AUE	1	Armrest assembly
	MXC6465LUL	1	Armrest assembly
	MXC6465LOY	1	Armrest assembly
12	MXC5991AUE	1	Cover armrest
	MXC5991LUL	1	Cover armrest
	MXC5991LOY	1	Cover armrest

Note(1)  
 Note(2)

From MA647645  
 COLOUR CODE AUE - Brogue, LUL - Winchester grey, LOY - Dark granite.

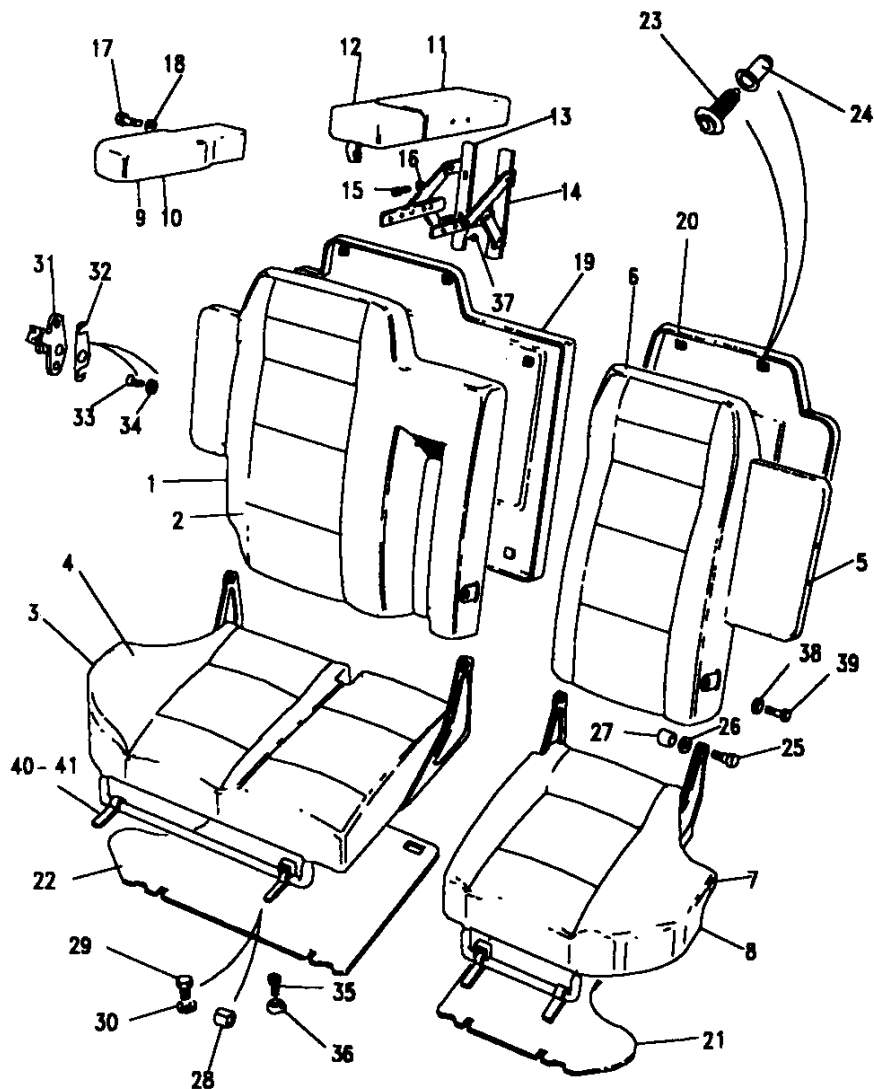


**Model** RANGE ROVER 1992 onwards  
**Page** BDRXGC1A

**SEATS - REAR SEATS - VELOUR**

III. Part No.	Description	Qty	Remarks
<b>All variants</b>			
13 MWC2720	Hinge RH	1	)
14 MWC2721	Hinge LH	1	)Note(5)
13 BTR8348	Hinge RH	1	)
14 BTR8349	Hinge LH	1	)Note(6)
15 SE106161L	Screw	4	
16 WA106041L	Washer plain	4	
17 BH108181L	Bolt	2	Note(1)
BH108201L	Bolt	2	Note(2)
18 WF108001L	Washer spring	2	
19 BTR194SUA	Panel seatback 2/3	1	
BTR194LUL	Panel seatback 2/3	1	
BTR194LNF	Panel seatback 2/3	1	)Note(7)
BTR194LOY	Panel seatback 2/3	1	)
20 BTR193SUA	Panel seatback 1/3	1	
BTR193LUL	Panel seatback 1/3	1	
BTR193LNF	Panel seatback 1/3	1	)Note(7)
BTR193LOY	Panel seatback 1/3	1	)
21 MXC7811RUN	Panel seatbase 1/3	1	)
22 MWC7812RUN	Panel seatbase 2/3	1	)Note(3)
21 MXC7811LNF	Panel seatbase 1/3	1	)
22 MWC7812LNF	Panel seatbase 2/3	1	)Note(4)

Note(1) Up to JA624755  
 Note(2) From KA624756  
 Note(3) Up to KA632910  
 Note(4) From KA632911  
 Note(5) Up to KA640177  
 Note(6) From KA640178  
 Note(7) From MA647645



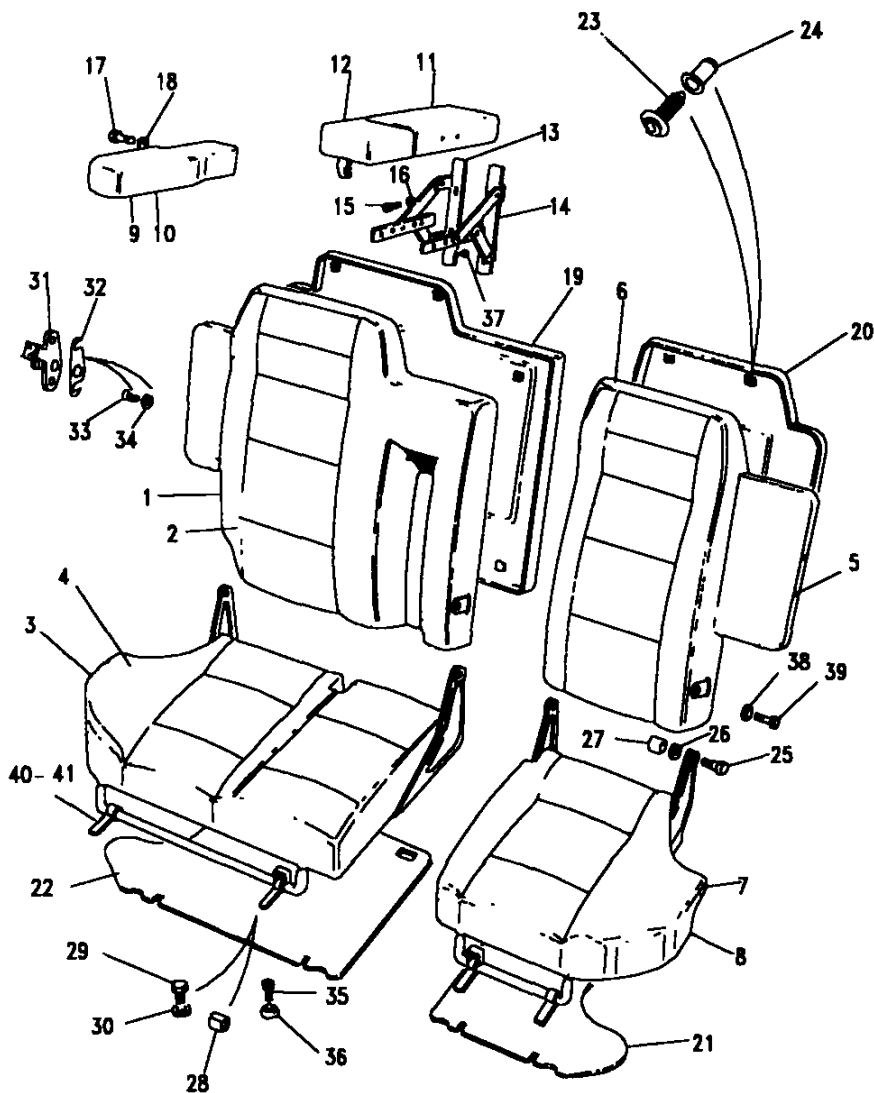
**Model** RANGE ROVER 1992 onwards  
**Page** BDRXGC1A

**SEATS - REAR SEATS - VELOUR**

III. Part No.	Description	Qty	Remarks
23	AGU1425 Fastener	11	
24	AJU1136L Stud anchor	11	
25	SB106121 Screw	2	
26	WA106041L Washer	2	
27	MWC5053 Spacer	2	
28	MWC4816 Pivot Bush	4	
29	FS106167L Screw	4	
30	WA106041L Washer	4	
31	MXC3076 Striker RH	1	) Note(1)
	MXC3077 Striker LH	1	
	BTR4892 Striker RH	1	) Note(2)
	BTR4893 Striker LH	1	
32	MXC3187 Shim	1	
33	SJ106200 Screw	4	Note(3)
	BTR3576 Screw	4	Note(4)
34	WL106001L Washer	4	
35	MTC9428 Screw	A/R	
36	MTC9429 Washer	A/R	
37	AC608052L Woodscrew	4	
38	WF108001L Washer	1	
39	BH1080181L Bolt	1	
40	MWC6060 Bracket	4	Upper
41	MWC6061 Bracket	4	Lower

Note(1) Up to JA624755  
 Note(2) From KA624756  
 Note(3) Up to JA612350  
 Note(4) From JA612351  
 Note(5) COLOUR CODE LUL - Winchester grey, SUA - Sorrell brown,



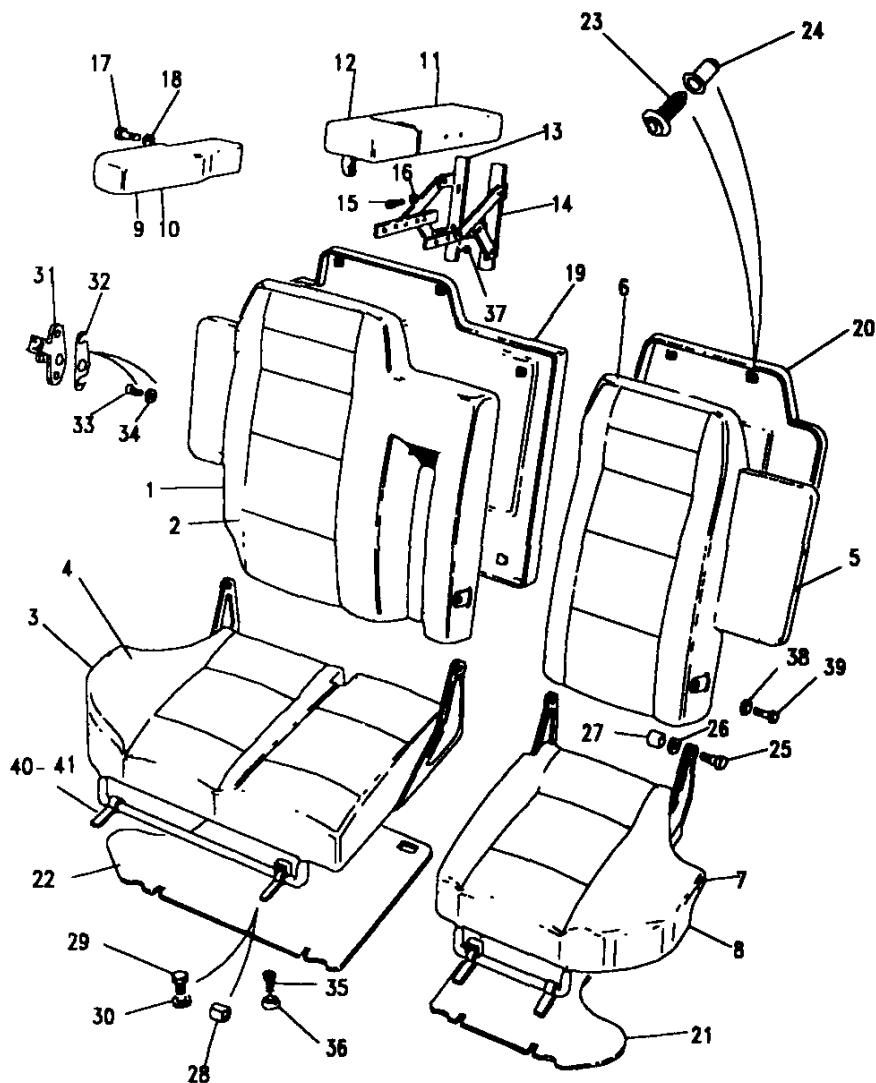


**Model** RANGE ROVER 1992 onwards  
**Page** BDRXGC2A

**SEATS - REAR SEATS - LEATHER**

III. Part No.	Description	Qty	Remarks
<b>2/3 Squab</b>			
1	MXC6985SUA	1	)
	MXC6985LUL	1	)Note(1)
	BTR6432LUV	1	)
	BTR6432SUA	1	)Note(2)
	BTR6432RWD	1	)
	BTR8463SUA	1	)
	BTR8463RWD	1	)Note(3)
	BTR8463LUV	1	)
	BTR7395LNF	1	)Note(5)
	BTR7395LOY	1	)
	BTR7395SUA	1	)
2	MXC4810SUA	1	)
	MXC4810LUL	1	)Note(1)
	BTR6381LUV	1	)
	BTR6381SUA	1	)Note(4)
	BTR6381RWD	1	)
	BTR7433LNF	1	)Note(5)
	BTR7433LOY	1	)
	BTR7433SUA	1	)

Note(1) Up to JA624755  
 Note(2) From KA624756 up to KA640177  
 Note(3) From KA640178  
 Note(4) From KA624756  
 Note(5) From MA647645



**Model** RANGE ROVER 1992 onwards  
**Page** BDRXGC2A

### SEATS - REAR SEATS - LEATHER

III. Part No.	Description	Qty	Remarks
<b>2/3 Cushion</b>			
3 MWC9806SUA	Cushion assembly 2/3	1	)Note(1)
MWC9806LUL	Cushion assembly 2/3	1	
BTR6430LUV	Cushion assembly 2/3	1	)Note(2)
BTR6430SUA	Cushion assembly 2/3	1	
BTR6430RWD	Cushion assembly 2/3	1	)Note(3)
BTR8465SUA	Cushion assembly 2/3	1	
BTR8465RWD	Cushion assembly 2/3	1	)Note(4)
BTR8465LUV	Cushion assembly 2/3	1	
BTR7393LNF	Cushion assembly 2/3	1	)Note(4)
BTR7393LOY	Cushion assembly 2/3	1	
BTR7393SUA	Cushion assembly 2/3	1	)

Note(1) Up to JA624755

Note(2) From KA624756 up to KA640177

Note(3) From KA640178

Note(4) From MA647645

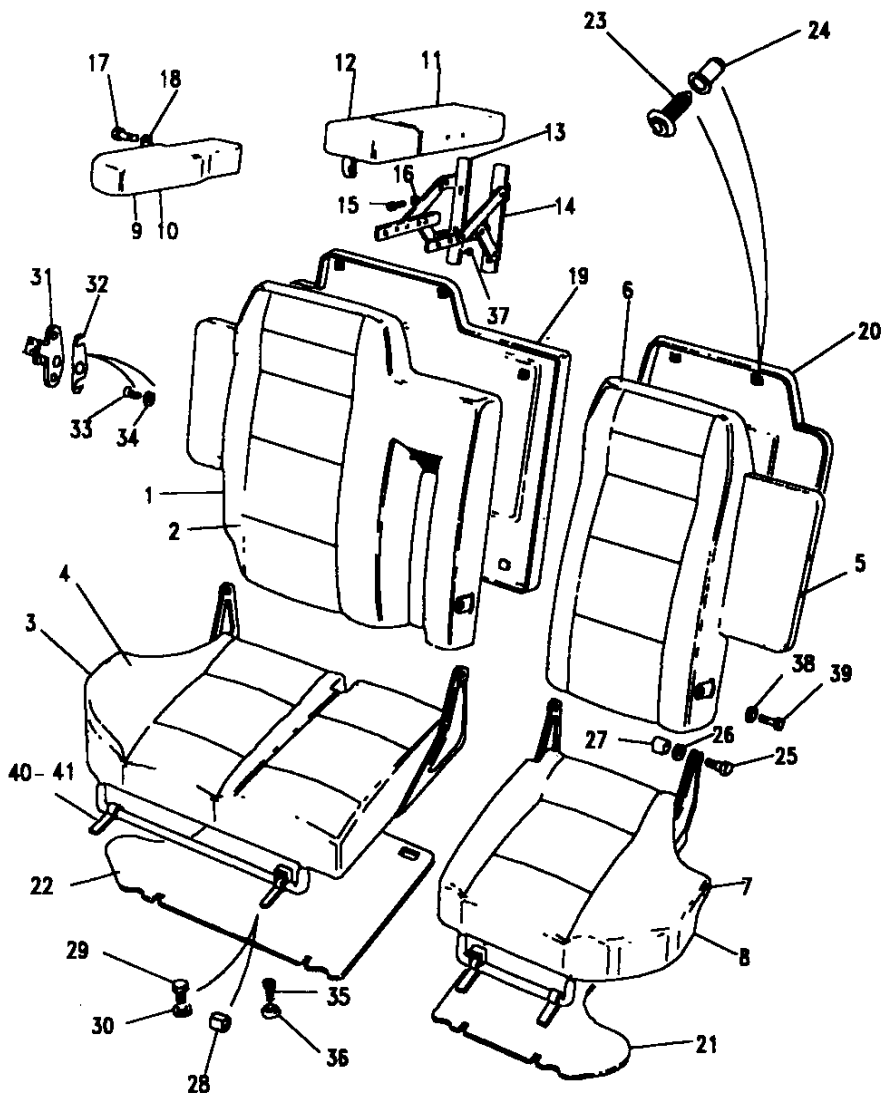
Note(5) COLOUR CODE LUL - Winchester grey, SUA - Sorrell brown, LUV - Light Winchester, LNF - Ash grey, LOY - Dark granite, RWD - Sable, AUK - Tan

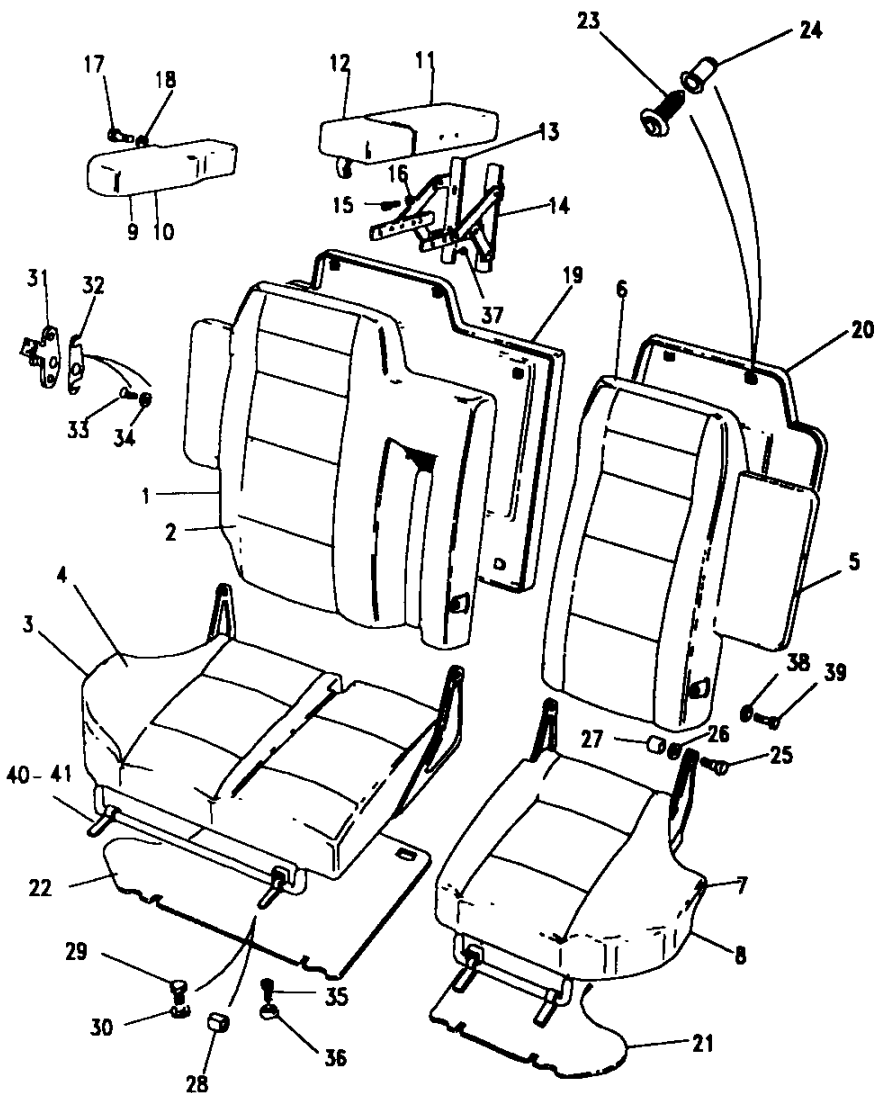
**Model** RANGE ROVER 1992 onwards  
**Page** BDRXGC2A

**SEATS - REAR SEATS - LEATHER**

III. Part No.	Description	Qty	Remarks
<b>2/3 Cushion</b>			
4	MXC4807SUA	1	)
	MXC4807LUL	1	)Note(1)
	BTR6379LUV	1	)
	BTR6379SUA	1	)Note(2)
	BTR6379RWD	1	)
	BTR7435LNF	1	)Note(3)
	BTR7435LOY	1	)
	BTR7435SUA	1	)

Note(1) Up To JA624755  
 Note(2) From KA624756  
 Note(3) From MA647645





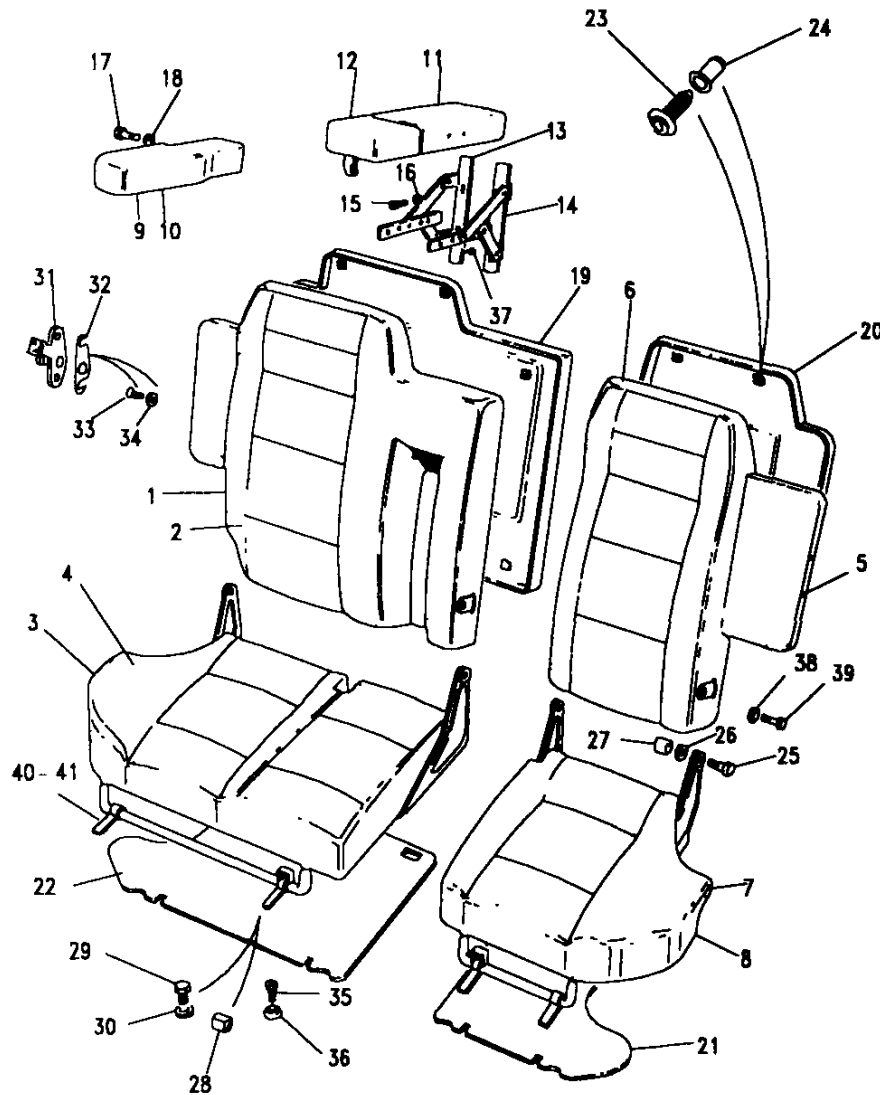
**Model** RANGE ROVER 1992 onwards  
**Page** BDRXGC2A

**SEATS - REAR SEATS - LEATHER**

Ill. Part No.	Description	Qty	Remarks
<b>1/3 Squab</b>			
5	MXC6986SUA	Squab assembly 1/3	1 )
	MXC6986LUL	Squab assembly 1/3	1 )Note(1)
	BTR6431LUV	Squab assembly 1/3	1 )
	BTR6431SUA	Squab assembly 1/3	1 )Note(2)
	BTR6431RWD	Squab assembly 1/3	1 )
	BTR8462SUA	Squab assembly 1/3	1 )
	BTR8462RWD	Squab assembly 1/3	1 )Note(3)
	BTR8462LUV	Squab assembly 1/3	1 )
	BTR7394LOY	Squab assembly 1/3	1 )Note(4)
	BTR7394LNF	Squab assembly 1/3	1 )
	BTR7394SUA	Squab assembly 1/3	1 )
6	MXC4816SUA	Cover 1/3 squab	1 )
	MXC4816LUL	Cover 1/3 squab	1 )Note(1)
	BTR6380LUV	Cover 1/3 squab	1 )
	BTR6380SUA	Cover 1/3 squab	1 )Note(2)
	BTR6380RWD	Cover 1/3 squab	1 )
	BTR7432LNF	Cover 1/3 squab	1 )Note(4)
	BTR7432LOY	Cover 1/3 squab	1 )
	BTR7432SUA	Cover 1/3 squab	1 )

Note(1) Up to JA624755  
 Note(2) From KA624756 up to KA640177  
 Note(3) From KA640178  
 Note(4) From MA647645  
 Note(5)

COLOUR CODE LUL - Winchester grey, SUA - Sorrell brown, LUV - Light Winchester, LNF - Ash grey, LOY - Dark granite, RWD - Sable,



**Model** RANGE ROVER 1992 onwards  
**Page** BDRXGC2A

**SEATS - REAR SEATS - LEATHER**

III. Part No.	Description	Qty	Remarks
<b>1/3 Cushion</b>			
7	MWC9807SUA	1	)
	MWC9807LUL	1	)Note(1)
	BTR6429LUV	1	)
	BTR6429SUA	1	)Note(2)
	BTR6429RWD	1	)
	BTR8464SUA	1	)
	BTR8464RWD	1	)Note(3)
	BTR8464LUV	1	)
	BTR7392LNF	1	)Note(5)
	BTR7392LOY	1	)
	BTR7392SUA	1	)
8	MXC4813SUA	1	)
	MXC4813LUL	1	)Note(1)
	BTR6378LUV	1	)
	BTR6378SUA	1	)Note(4)
	BTR6378RWD	1	)
	BTR7434LNF	1	)Note(5)
	BTR7434LOY	1	)
	BTR7434SUA	1	)

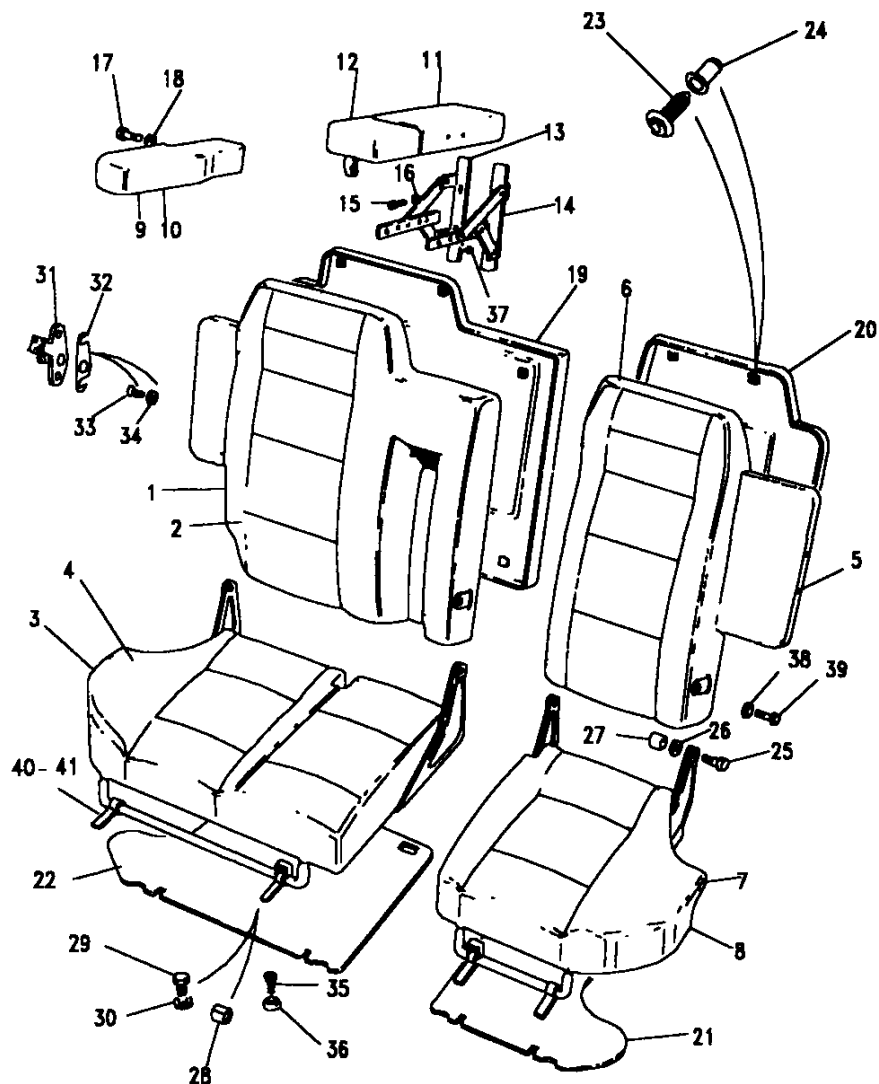
Note(1) Up to JA624755  
 Note(2) From KA624756 up to KA640177  
 Note(3) From KA640178  
 Note(4) From KA624756  
 Note(5) From MA647645  
 Note(6) COLOUR CODE LUL - Winchester grey, LNF - Ash grey, LOY - Dark granite, SUA - Sorrell brown, LUV - Light Winchester RWD - Sable,

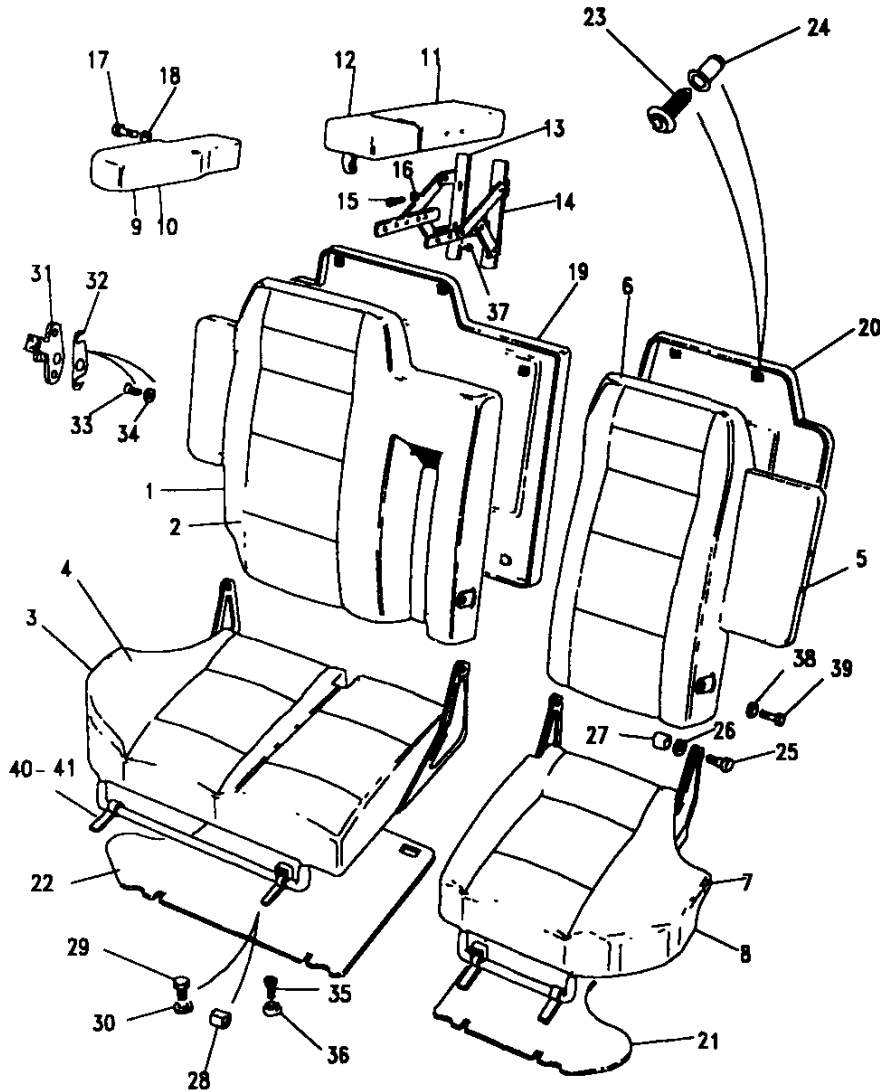
**Model** RANGE ROVER 1992 onwards  
**Page** BDRXGC2A

**SEATS - REAR SEATS - LEATHER**

III. Part No.	Description	Qty	Remarks
<b>Armrest 1/3 Squab</b>			
9	MXC6997SUA	1	
	MXC6997LUL	1	
	MXC6997LUV	1	
	MXC6997RWD	1	
	BTR7653LNF	1	)Note(1)
	BTR7653LOY	1	)
	BTR7653SUA	1	)

Note(1) From MA647645



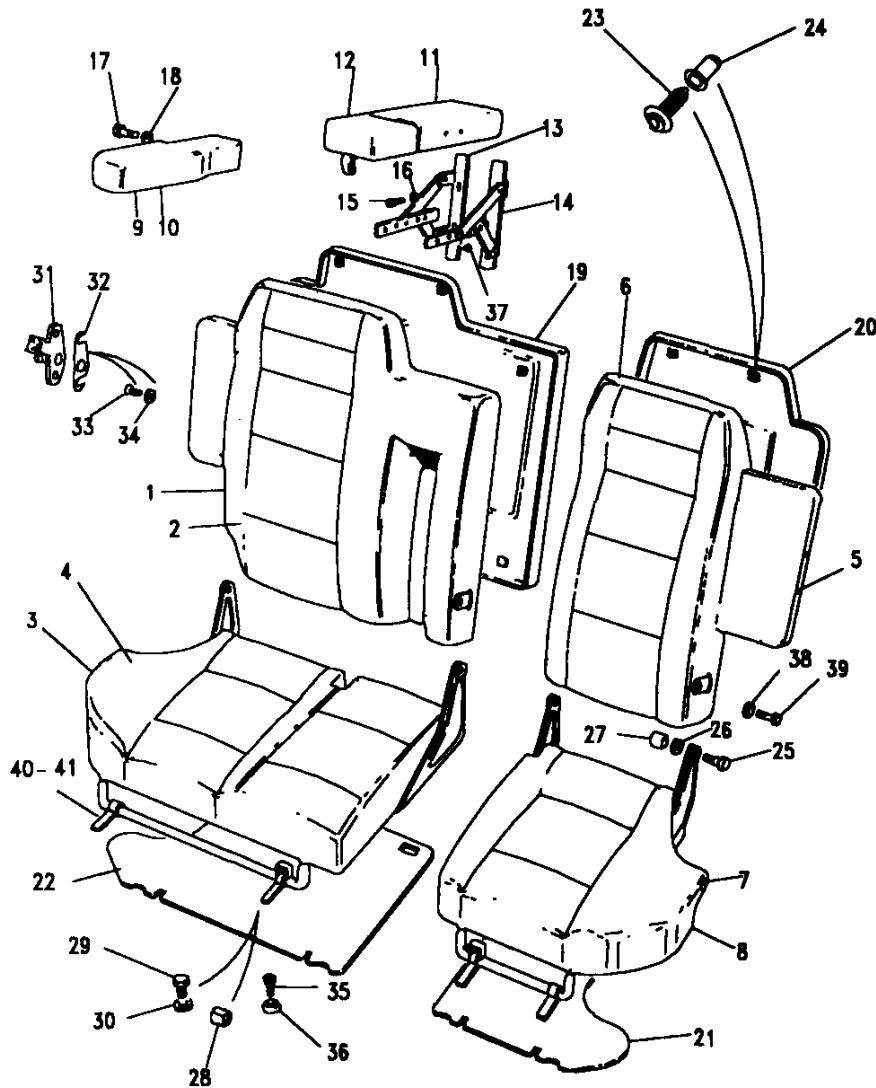


**Model** RANGE ROVER 1992 onwards  
**Page** BDRXGC2A

**SEATS - REAR SEATS - LEATHER**

III. Part No.	Description	Qty	Remarks
<b>Armrest 1/3 Squab</b>			
10	MXC6999SUA	1	Cover armrest
	MXC6999LUL	1	Cover armrest Note(1)
	MXC6999LUV	1	Cover armrest Note(2)
	MXC6999RWD	1	Cover armrest
	BTR7631LNF	1	Cover armrest )Note(3)
	BTR7631LOY	1	Cover armrest )
	BTR7631SUA	1	Cover armrest )
<b>Armrest 2/3 Squab</b>			
9	MXC6996SUA	1	Armrest assembly
	MXC6996LUL	1	Armrest assembly Note(1)
	MXC6996LUV	1	Armrest assembly Note(2)
	MXC6996RWD	1	Armrest assembly
	BTR7652LNF	1	Armrest assembly )Note(3)
	BTR7652LOY	1	Armrest assembly )
	BTR7652SUA	1	Armrest assembly )
10	MXC7000SUA	1	Cover armrest
	MXC7000LUL	1	Cover armrest Note(1)
	MXC7000LUV	1	Cover armrest Note(2)
	MXC7000RWD	1	Cover armrest
	BTR7630LNF	1	Cover armrest )Note(3)
	BTR7630LOY	1	Cover armrest )
	BTR7630SUA	1	Cover armrest )

Note(1) Up to JA624755  
 Note(2) From KA624756  
 Note(3) From MA647645  
 Note(4) COLOUR CODE LUL - Winchester grey, SUA - Sorrell brown, LUV - Light Winchester LNF - Ash grey, LOY - Dark granite, RWD - Sable,



**Model** RANGE ROVER 1992 onwards  
**Page** BDRXGC2A

**SEATS - REAR SEATS - LEATHER**

Ill. Part No.	Description	Qty	Remarks
<b>Armrest centre</b>			
11	MXC6466SUA	1	
	MXC6466LUL	1	Note(1)
	MXC6466LUV	1	Note(2)
	MXC6466RWD	1	
	BTR7651LNF	1	)Note(3)
	BTR7651LOY	1	)
	BTR7651SUA	1	)
12	MXC5992SUA	1	
	MXC5992LUL	1	Note(1)
	MXC5992LUV	1	Note(2)
	MXC5992RWD	1	
	BTR7629LNF	1	)Note(3)
	BTR7629LOY	1	)
	BTR7629SUA	1	)

Note(1) Up to JA624755  
 Note(2) From KA624756  
 Note(3) From MA647645  
 Note(4) COLOUR CODE LUL - Winchester grey, LUV - Light winchester, LNF - Ash grey, LOY - Dark granite, SUA - Sorrell brown, RWD - Sable, RUN - Bokhara



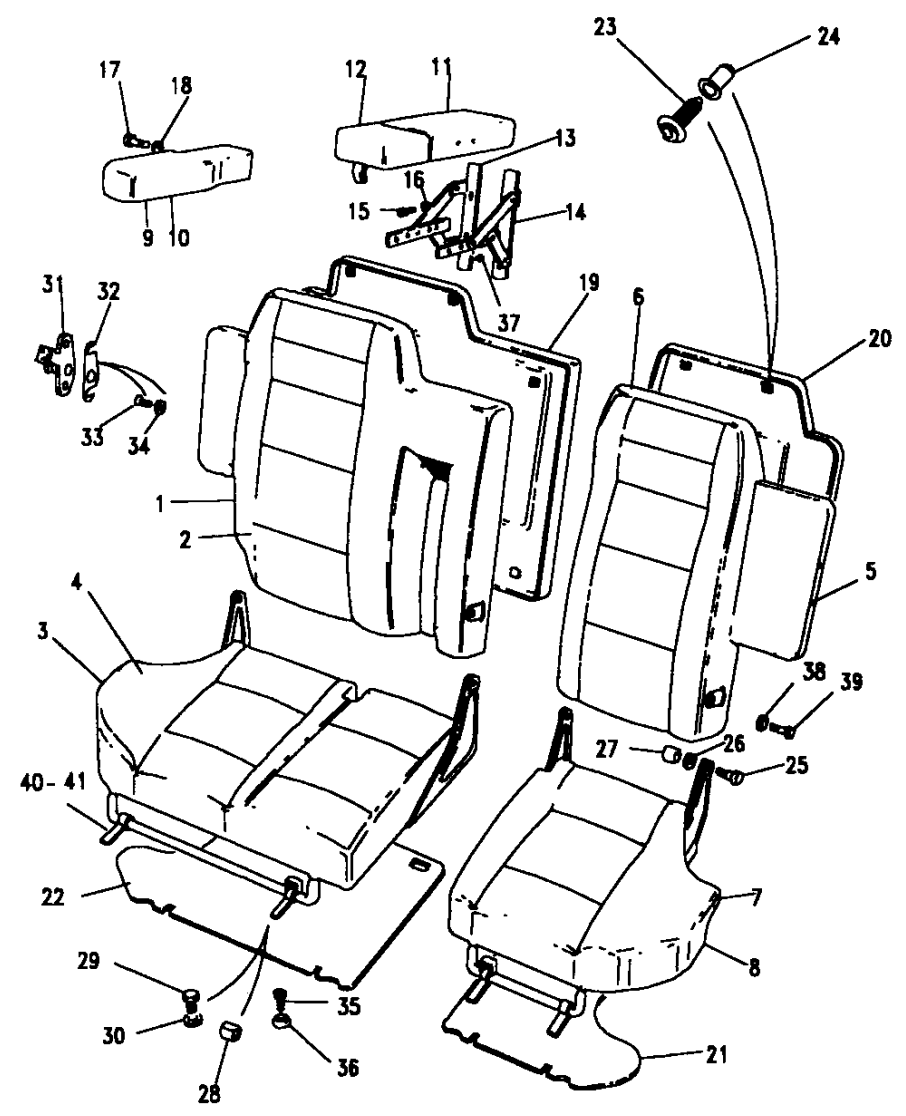


Model RANGE ROVER 1992 onwards  
Page BDRXGC2A

SEATS - REAR SEATS - LEATHER

III. Part No.	Description	Qty	Remarks
<b>All variants</b>			
13 MWC2720	Hinge RH	1	)
14 MWC2721	Hinge LH	1	)Note(3)
13 BTR8348	Hinge RH	1	)
14 BTR8349	Hinge LH	1	)Note(4)
15 SE106161L	Screw	4	
16 WA106041L	Washer plain	4	
17 BH108181L	Bolt	2	Note(1)
BH108201L	Bolt	2	Note(2)
18 WF108001L	Washer spring	2	

Note(1) Up to JA624755  
 Note(2) From KA624756  
 Note(3) Up to KA640177  
 Note(4) From KA640178



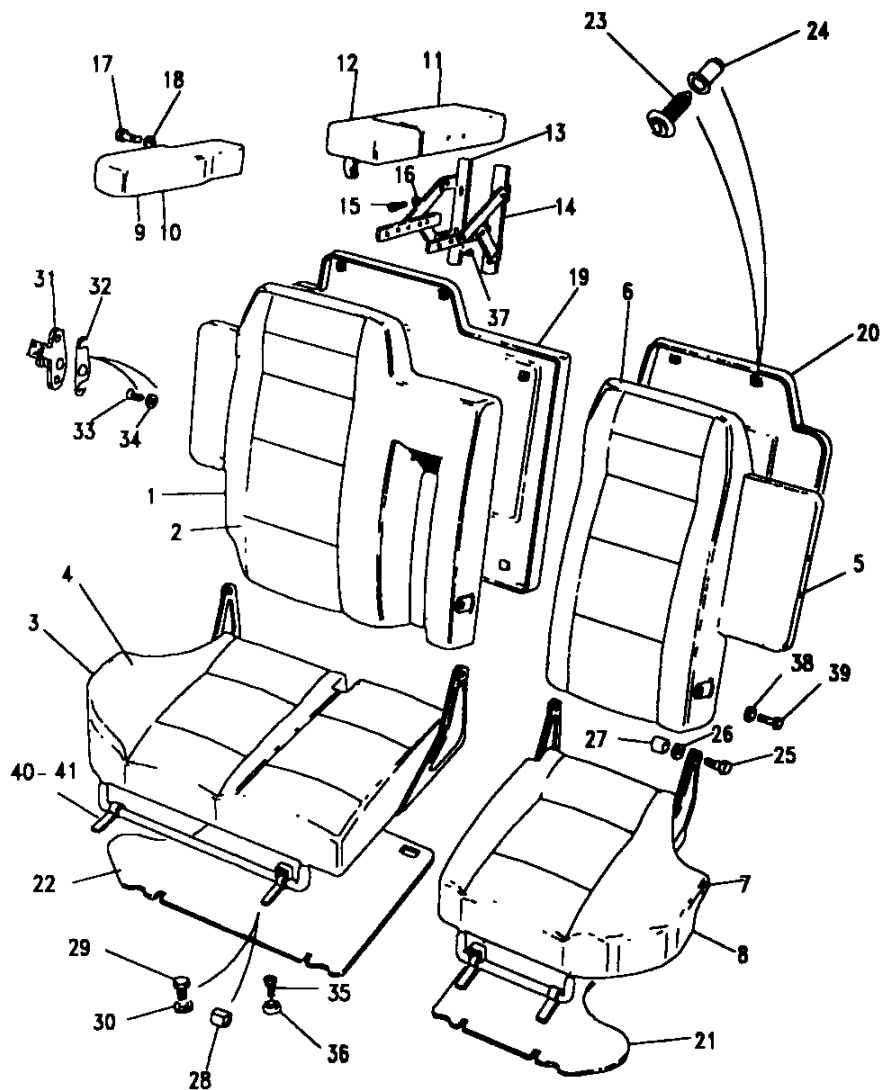
**Model** RANGE ROVER 1992 onwards  
**Page** BDRXGC2A

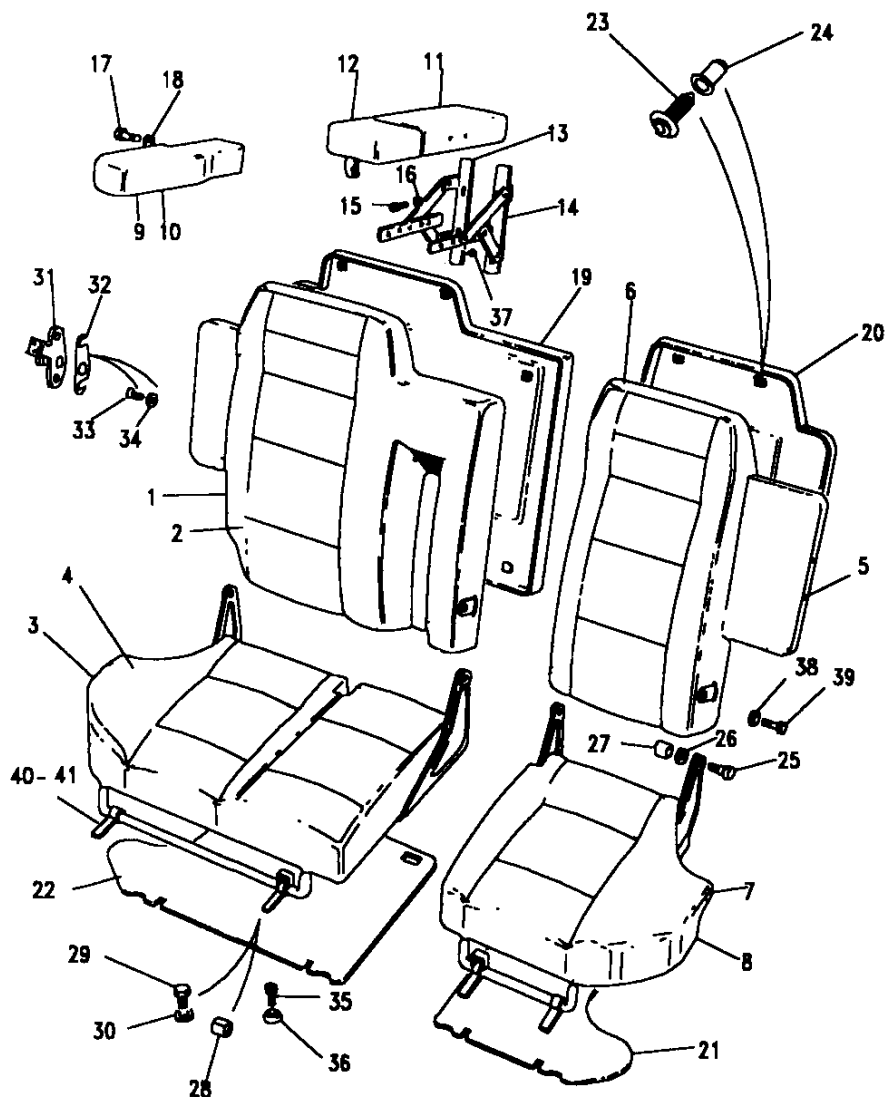
**SEATS - REAR SEATS - LEATHER**

III. Part No.	Description	Qty	Remarks
19 BTR194LUL	Panel seatback 2/3	1	
BTR194SUA	Panel seatback 2/3	1	
BTR194RWD	Panel seatback 2/3	1	
BTR194LNF	Panel seatback 2/3	1	)Note(1)
BTR194LOY	Panel seatback 2/3	1	)
20 BTR193SUA	Panel seatback 1/3	1	
BTR193LUL	Panel seatback 1/3	1	
BTR193RWD	Panel seatback 1/3	1	
BTR193LNF	Panel seatback 1/3	1	)Note(1)
BTR193LOY	Panel seatback 1/3	1	)
21 MXC7811RUN	Panel seatbase 1/3	1	
MXC7811LNF	Panel seatbase 1/3	1	Note(1)
22 MXC7812RUN	Panel seatbase 2/3	1	
MXC7812LNF	Panel seatbase 2/3	1	Note(1)
23 AGU1425	Fastener	11	
24 AJU1136L	Stud anchor	11	
25 SB106121	Screw	2	
26 WA106041L	Washer	2	
27 MWC5053	Spacer	2	
28 MWC4816	Pivot Bush	4	
29 FS106167L	Screw	4	
30 WA106041L	Washer	4	

Note(1)  
 Note(2)

From MA647645  
 COLOUR CODE LUL - Winchester grey, LNF - Ash grey, LOY - Dark granite, SUA - Sorrell brown, RWD - Sable, RUN - Bokhara



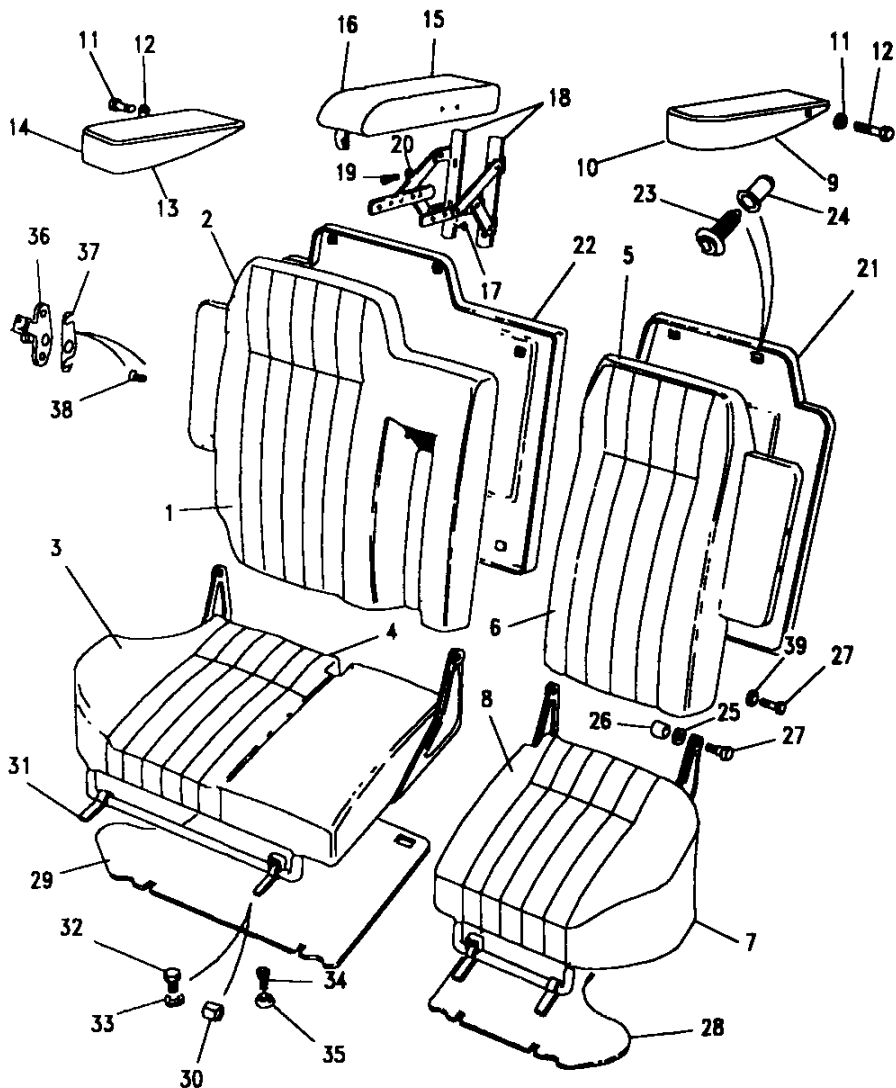


**Model** RANGE ROVER 1992 onwards  
**Page** BDRXGC2A

**SEATS - REAR SEATS - LEATHER**

III. Part No.	Description	Qty	Remarks
31	MWC3076	1	)
	MWC3077	1	)Note(1)
	BTR4892	1	)
	BTR4893	1	)Note(2)
32	MXC3187	1	
33	SJ106200	4	Note(3)
	BTR3576	4	Note(4)
34	WL106001L	4	
35	MTC9428	A/R	
36	MTC9429	A/R	
37	AC608052L	4	
38	WF108001L	1	
39	BH1080181L	1	
40	MWC6060	4	Upper
41	MWC6061	4	Lower

Note(1) Up to JA624755  
 Note(2) From KA624756  
 Note(3) Up to JA612350  
 Note(4) From JA612351



**Model** RANGE ROVER 1992 onwards  
**Page** BDRXGC3A

**SEATS - REAR SEATS - LEATHER - LSE ONLY - SADDLE**

III. Part No.	Description	Qty	Remarks
<b>2/3 Squab</b>			
1	BTR6420AUK Squab assembly 2/3	1	Note(1)
	BTR8457AUK Squab assembly 2/3	1	Note(2)
2	BTR6377AUK Cover 2/3 squab	1	
<b>2/3 Cushion</b>			
3	BTR6418AUK Cushion assembly 2/3	1	Note(1)
	BTR8459AUK Cushion assembly 2/3	1	Note(2)
4	BTR6375AUK Cover 2/3 cushion	1	
<b>1/3 Squab</b>			
5	BTR6419AUK Squab assembly 1/3	1	Note(1)
	BTR8456AUK Squab assembly 1/3	1	Note(2)
6	BTR6376AUK Cover 1/3 squab	1	
<b>1/3 Cushion</b>			
7	BTR6417AUK Cushion assembly 1/3	1	Note(1)
	BTR8458AUK Cushion assembly 1/3	1	Note(2)
8	BTR6374AUK Cover 1/3 cushion	1	
<b>Armrest 1/3 Squab</b>			
9	BTR2757AUK Armrest assembly	1	
10	BTR2759AUK Cover armrest	1	
11	WF108001L Washer spring	2	
12	BH108201L Bolt	2	

Note(1) Up to KA640177  
 Note(2) From KA640178  
 Note(3) COLOUR CODE AUK - Tan

Model RANGE ROVER 1992 onwards

Page BDRXGC3A

**SEATS - REAR SEATS - LEATHER - LSE ONLY - SADDLE**

Ill. Part No. Description Qty Remarks

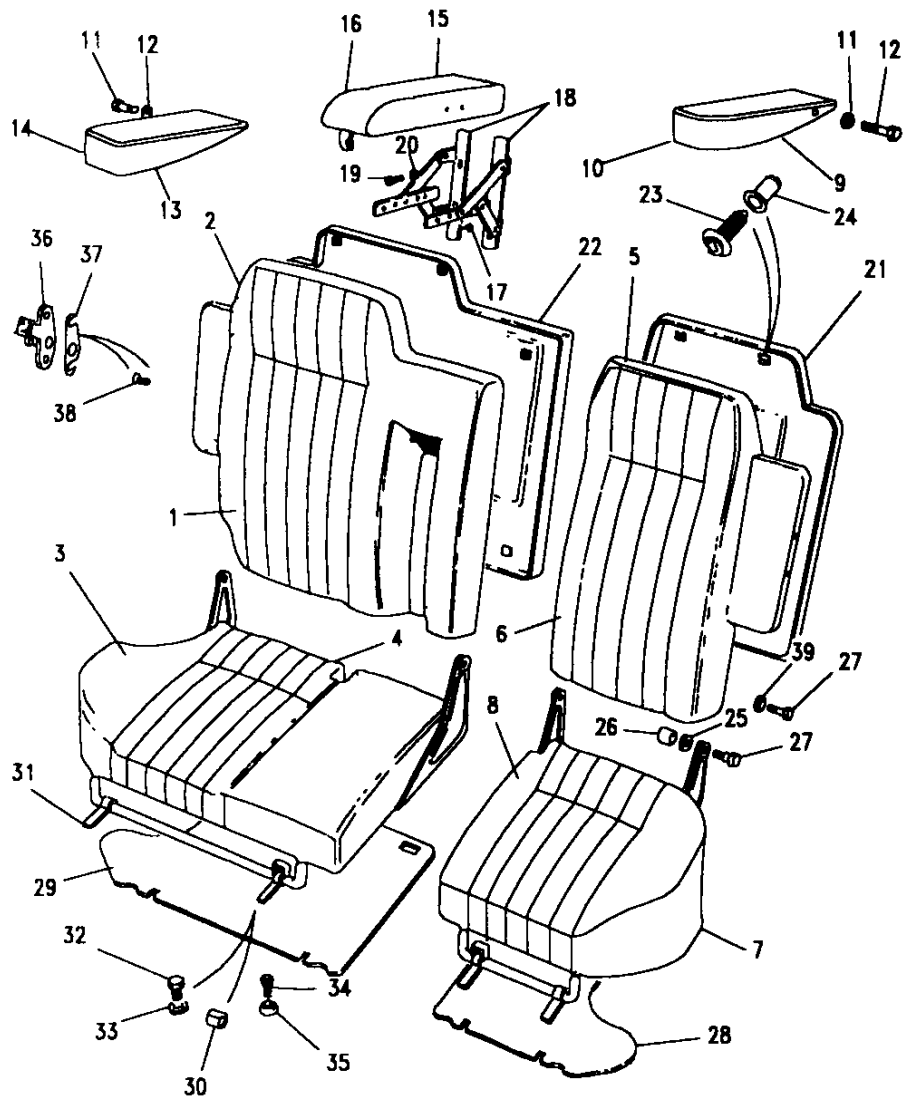
**Armrest 2/3 Squab**

11	WF108001L	Washer spring	2
12	BH108201L	Bolt	2
13	BTR2758AUK	Armrest assembly	1
14	BTR2760AUK	Cover armrest	1

**Armrest centre**

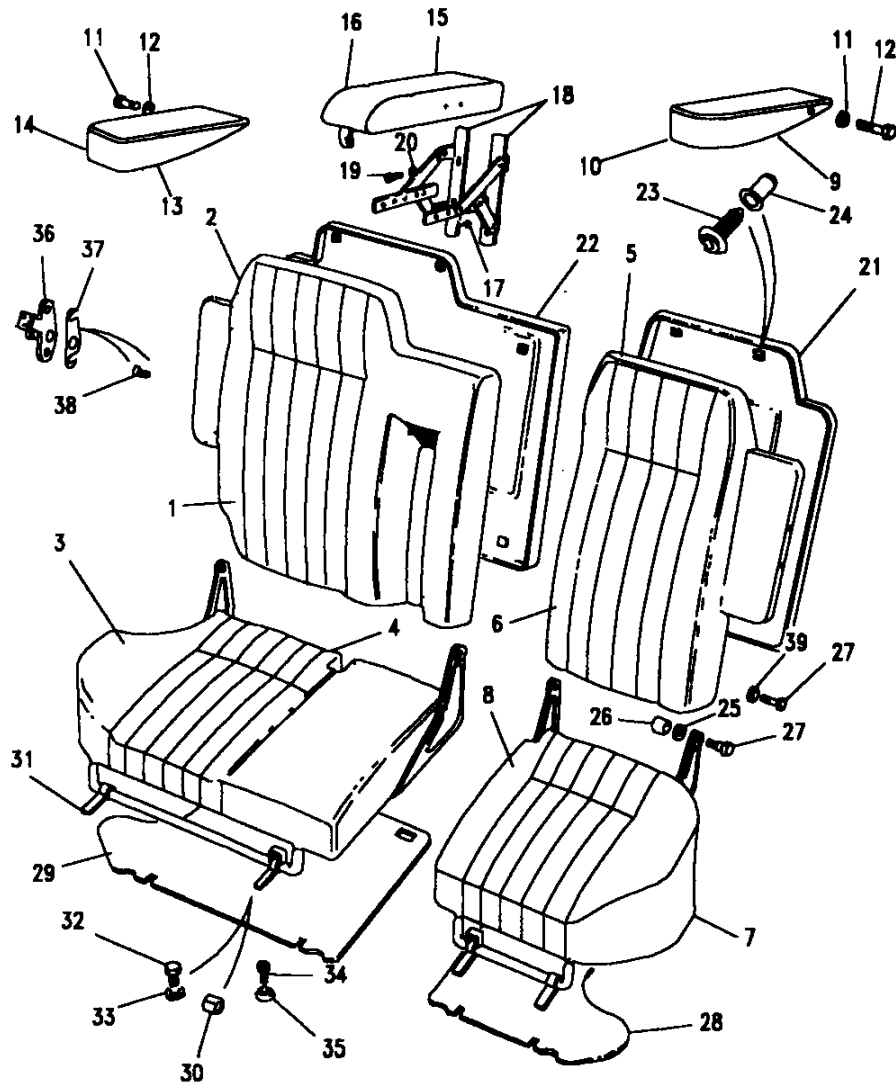
15	BTR2800AUK	Armrest assembly	1
16	BTR2801AUK	Cover armrest	1
17	AC608052L	Screw	6
18	MWC2720	Hinge RH	1
	MWC2721	Hinge LH	1
	BTR8348	Hinge RH	1
	BTR8349	Hinge LH	1
19	SE106161L	Screw	4
20	WA106041L	Washer plain	4
21	BTR193AUK	Panel seatback 1/3	1
22	BTR194AUK	Panel seatback 2/3	1
23	AGU1425	Fastener	11
24	AJU1136L	Stud anchor	11
25	WA106041L	Washer	2

Note(1) Up to KA640177  
 Note(2) From KA640178  
 Note(3) COLOUR CODE AUK - Tan



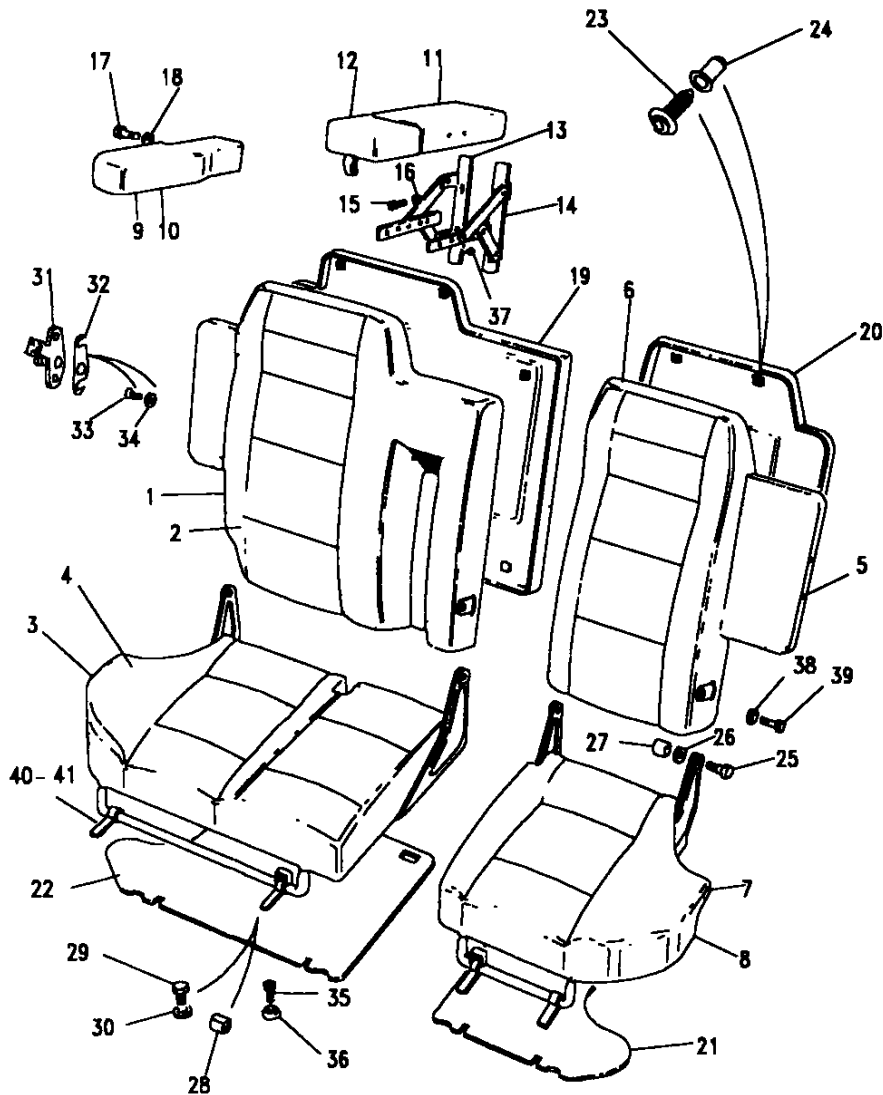
Model RANGE ROVER 1992 onwards  
Page BDRXGC3A

SEATS - REAR SEATS - LEATHER - LSE ONLY - SADDLE



Ill. Part No.	Description	Qty	Remarks
26	MWC5053 Spacer	2	
27	SB106121L Screw	1	
28	MXC7811RUN Panel seatbase 1/3	1	
29	MXC7812RUN Panel seatbase 2/3	1	
30	MWC4816 Pivot Bush	4	
31	MWC6060 Bracket	4	Upper
	MWC6061 Bracket	4	Lower
32	MTC9428 Screw	A/R	
33	MTC9429 Washer	A/R	
34	FS106167L Screw	4	
35	WA106041L Washer	4	
36	BTR4892 Striker RH	1	
	BTR4893 Striker LH	1	
37	MXC3187 Shim	1	
38	BTR3576 Screw	4	
39	WF108001L Washer	1	

Note(1) COLOUR CODE RUN - Bokhara



**Model** RANGE ROVER 1992 onwards  
**Page** BDRXGC2A

**SEATS - REAR SEATS - LEATHER - LSE ONLY - DARK SABLE**

III. Part No.	Description	Qty	Remarks
<b>2/3 Squab</b>			
1	BTR6432RWD Squab assembly 2/3	1	Note(1)
	BTR8463RWD Squab assembly 2/3	1	Note(2)
2	BTR6381RWD Cover 2/3 squab	1	
<b>2/3 Cushion</b>			
3	BTR6430RWD Cushion assembly 2/3	1	Note(1)
	BTR8465RWD Cushion assembly 2/3	1	Note(2)
4	BTR6379RWD Cover 2/3 cushion	1	
<b>1/3 Squab</b>			
5	BTR6431RWD Squab assembly 1/3	1	Note(1)
	BTR8462RWD Squab assembly 1/3	1	Note(2)
6	BTR6380RWD Cover 1/3 squab	1	
<b>1/3 Cushion</b>			
7	BTR6429RWD Cushion assembly 1/3	1	Note(1)
	BTR8464RWD Cushion assembly 1/3	1	Note(2)
8	BTR6378RWD Cover 1/3 cushion	1	
<b>Armrest 1/3 Squab</b>			
9	MXC6997RWD Armrest assembly	1	
10	MXC6999RWD Cover armrest	1	

Note(1) COLOUR CODE RWD - Dark sable

**Model** RANGE ROVER 1992 onwards

**Page** BDRXGC2A

**SEATS - REAR SEATS - LEATHER - LSE ONLY - DARK SABLE**

**III. Part No. Description Qty Remarks**

**Armrest 2/3 Squab**

9	MXC6996RWD	Armrest assembly	1	
10	MXC7000RWD	Cover armrest	1	

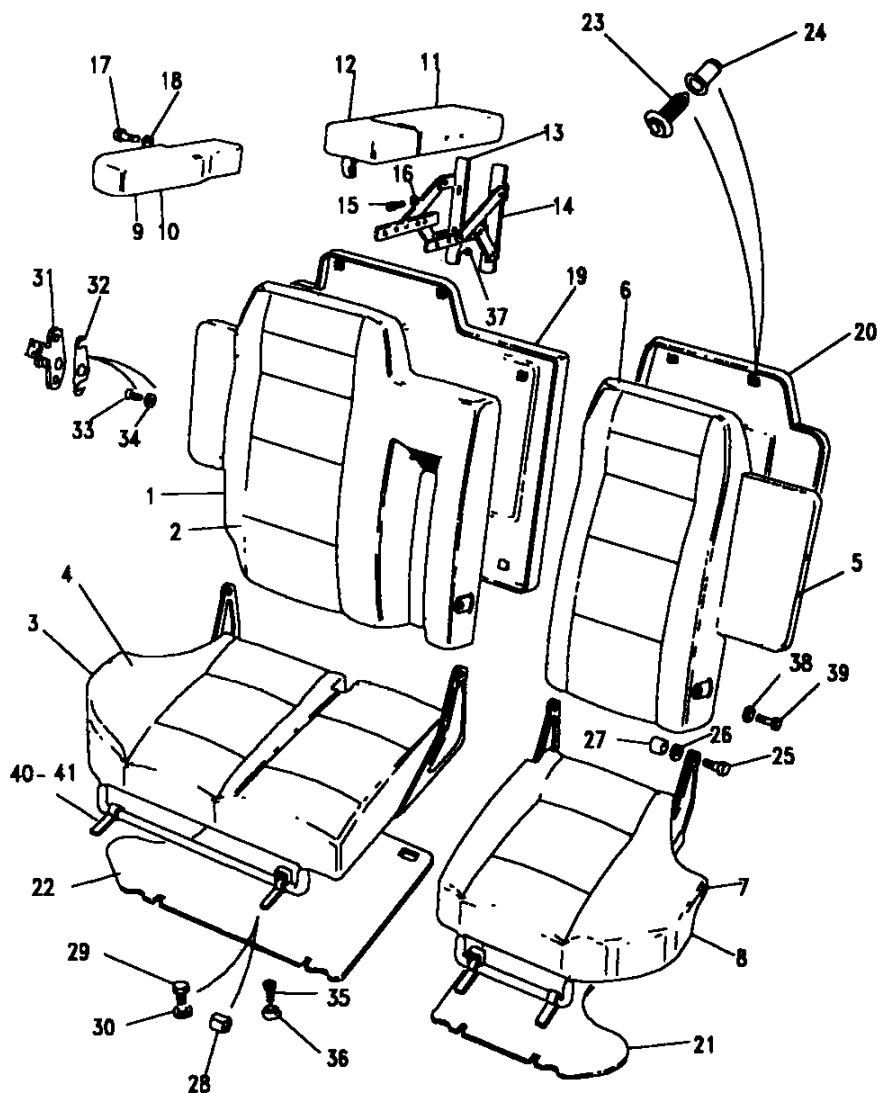
**Armrest centre**

11	MXC6466RWD	Armrest assembly	1	
12	MXC5992RWD	Cover armrest	1	
13	MWC2720	Hinge RH	1	)Note(1)
14	MWC2721	Hinge LH	1	
13	BTR8348	Hinge RH	1	)Note(2)
14	BTR8349	Hinge LH	1	
15	SE106161L	Screw	4	
16	WA106041L	Washer plain	4	
17	BH108201L	Bolt	2	
18	WF108001L	Washer spring	2	
19	BTR194RWD	Panel seatback 2/3	1	
20	BTR193RWD	Panel seatback 1/3	1	
21	MXC7811LNF	Panel seatbase 1/3	1	
22	MXC7812LNF	Panel seatbase 2/3	1	
23	AGU1425	Fastener	11	

Note(1) Up to KA640177

Note(2) From KA640178

Note(3) COLOUR CODE RWD - Dark sable LNF - Dark granite





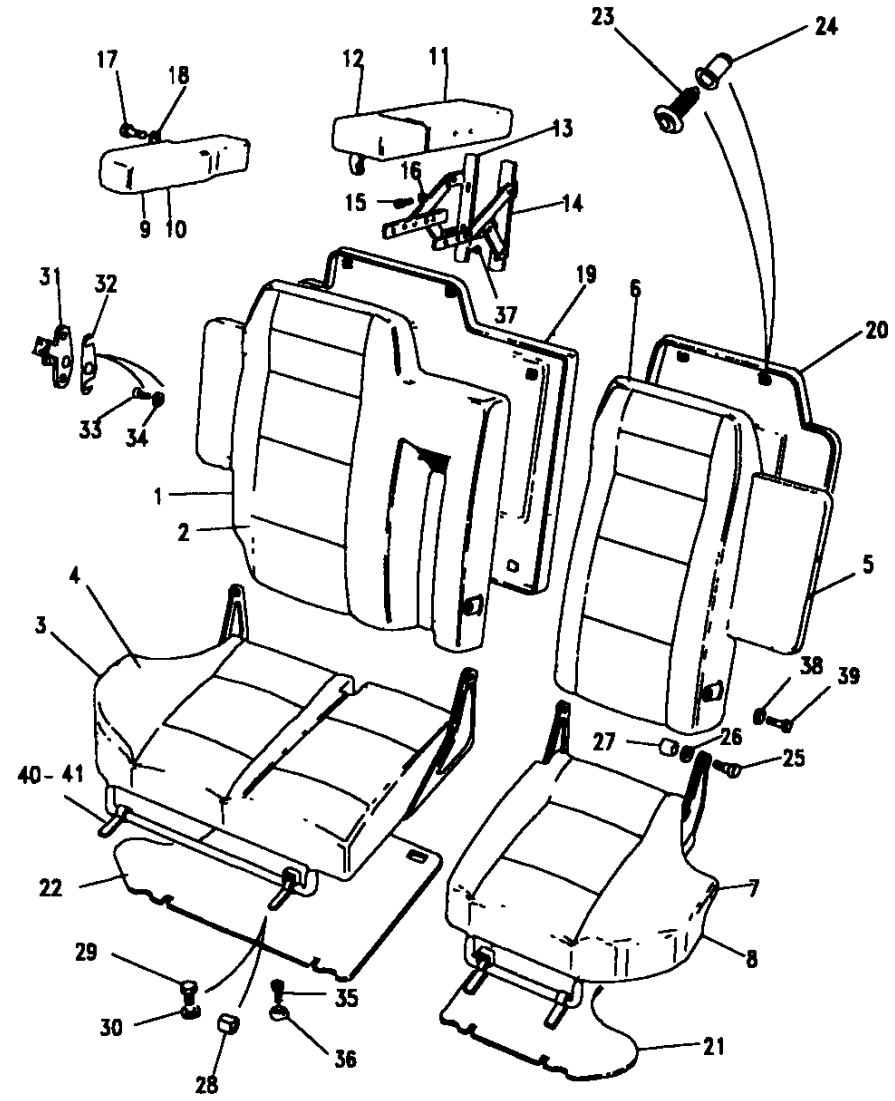


Model RANGE ROVER 1992 onwards  
Page BDRXGC2A

SEATS - REAR SEATS - LEATHER - LSE ONLY - DARK SABLE

III. Part No.	Description	Qty	Remarks
24	AJU1136L Stud anchor	11	
25	SB106121L Screw	1	
26	WA106041L Washer	2	
27	MWC5053 Spacer	2	
28	MWC4816 Pivot Bush	4	
29	FS106167L Screw	4	
30	WA106041L Washer	4	
31	BTR4892 Striker RH	1	
	BTR4893 Striker LH	1	
32	MXC3187 Shim	1	
33	BTR3576 Screw	4	
34	WL106001L Washer	4	
35	MTC9428 Screw	4	
36	MTC9429 Washer	4	
37	AC608052L Screw	6	
38	WF108001L Washer	1	
39	FB108181L Screw	1	
40	MWC6060 Bracket	4	Upper
41	MWC6061 Bracket	4	Lower

Upper  
Lower  
:p • LMPUT  
DATAID(ISR00001)  
MODE(INVAR)  
DATALOC(DBUFN)  
DATALEN( 190)  
190



**Model** RANGE ROVER 1992 onwards  
**Page** BDRXGC2A

**SEATS - REAR - LIGHTSTONE LEATHER 1994 MODEL YEAR.**

**III. Part No. Description Qty Remarks**

1	BTR8382SMK	Squab assembly 2/3	1
2	BTR8368SMK	Cover squab 2/3	1
3	BTR8384SMK	Cushion assembly 2/3	1
4	BTR8370SMK	Cover cushion 2/3	1
5	BTR8381SMK	Squab assembly 1/3	1
6	BTR8367SMK	Cover squab 1/3	1
7	BTR8383SMK	Cushion assembly 1/3	1
8	BTR8369SMK	Cover cushion 1/3	1

**Armrest 1/3 Squab**

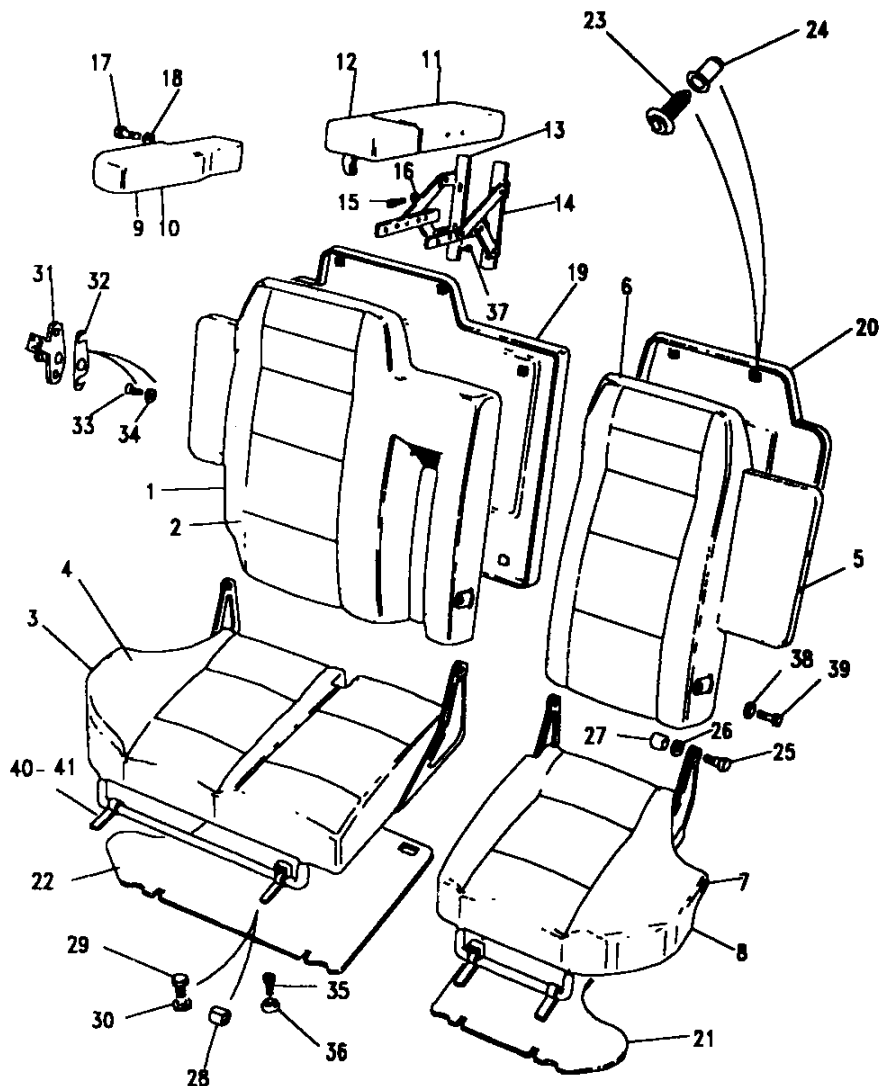
9	MXC6997SMK	Armrest assembly	1
10	MXC6999SMK	Cover armrest	1
11	WF108001L	Washer	2
12	BH108201L	Bolt	2

**Armrest 2/3 Squab**

13	MXC6996SMK	Armrest assembly	1
14	MXC7000SMK	Cover armrest	1

**Armrest - Centre**

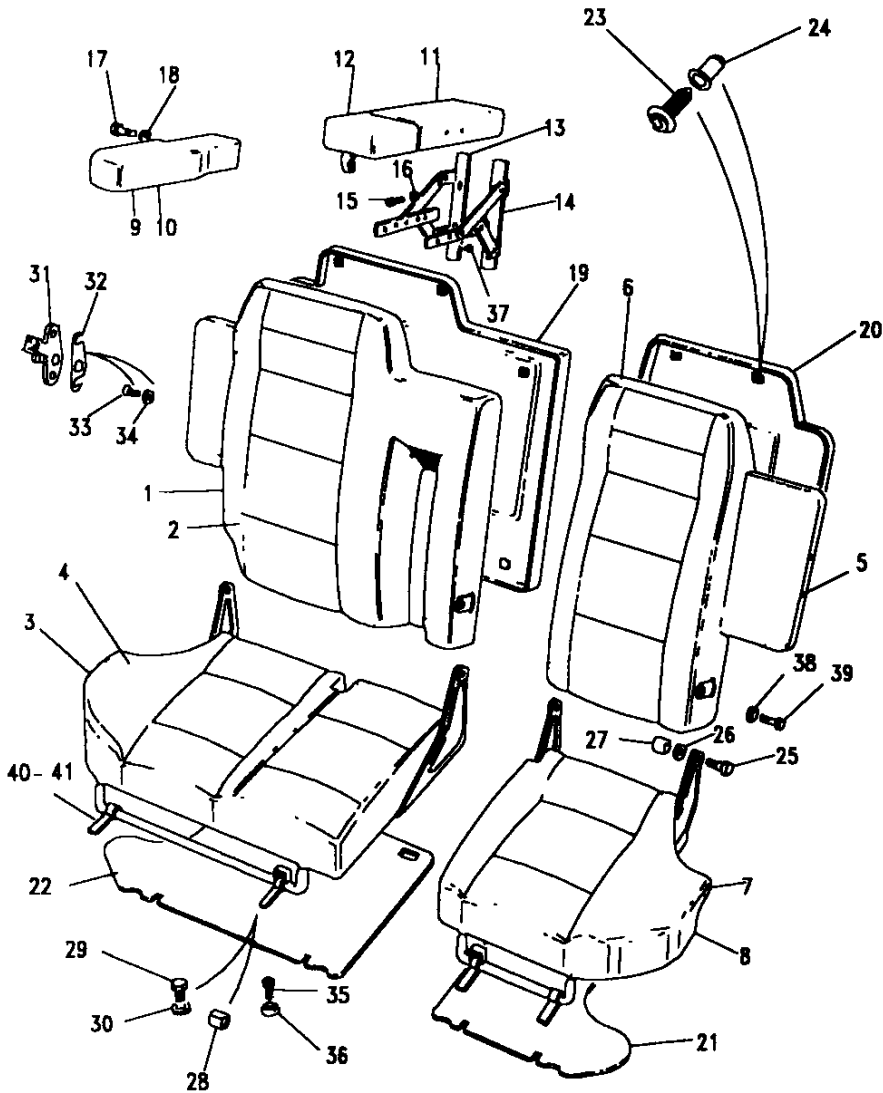
15	MXC6466SMK	Armrest assembly	1
16	MXC5992SMK	Cover armrest	1
17	AC608052L	Screw	4
18	BTR8348	Hinge RH	1
	BTR8349	Hinge LH	1
19	SE106161L	Screw	4
20	WW106041L	Washer	4



Model RANGE ROVER 1992 onwards

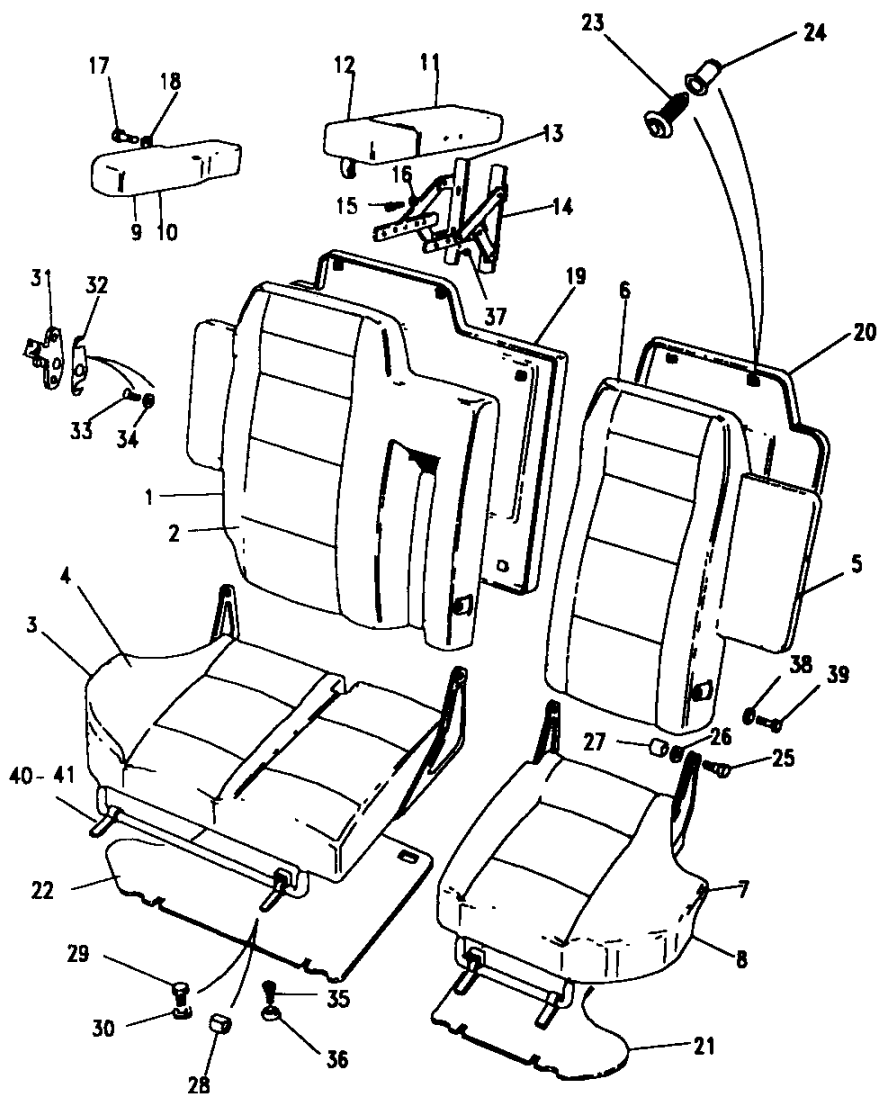
Page BDRXGC2A

SEATS - REAR - LIGHTSTONE LEATHER 1994 MODEL YEAR.



III. Part No.	Description	Qty	Remarks
21	BTR193SUA	1	
22	BTR194SUA	1	
23	AGU1425	11	
24	AJU1136L	11	
25	WA106041L	2	
26	MWC5053	4	
27	SB106121	2	
28	MXC7811LNF	1	
29	MXC7812LNF	1	
30	MWC4816	4	
31	MWC6060	4	Upper
	MWC6061	4	Lower
32	FS106167L	4	
33	WA106041L	4	
34	MTC9428	A/R	
35	MTC9429	A/R	
36	MXC3076	1	
	MXC3077	1	
37	MXC3187	2	
38	BTR3576	4	
39	WF108001L	1	

Note(1) COLOUR CODE SMK - Lightstone, LNF - Ash grey.



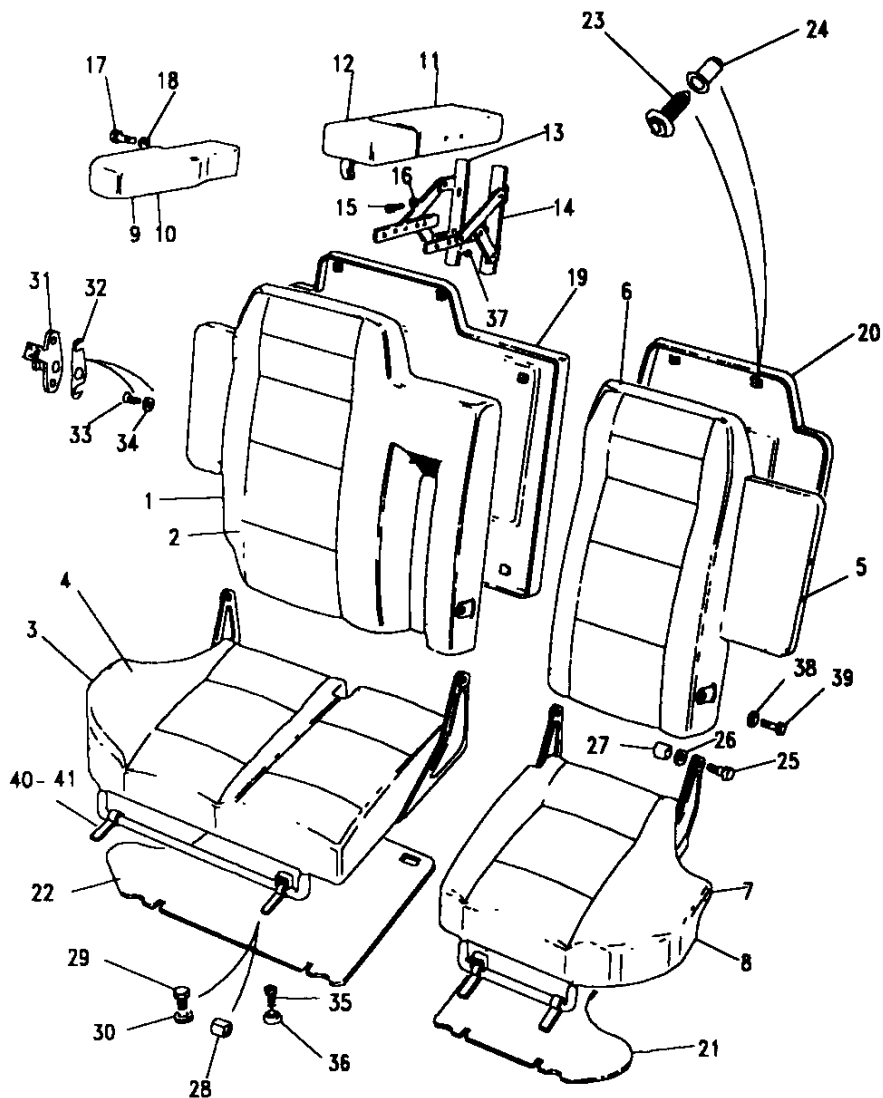
**Model** RANGE ROVER 1992 onwards

**Page** BDRXGC2A

**SEATS - REAR - AUSTRALIA SPECIAL EDITION ONLY**

III. Part No.	Description	Qty	Remarks
1	BTR4660SMK Squab assembly 2/3	1	
2	BTR4661SMK Cover squab 2/3	1	
3	BTR4664SMK Cushion assembly 2/3	1	
4	BTR4665SMK Cover cushion 2/3	1	
5	BTR4658SMK Squab assembly 1/3	1	
6	BTR4659SMK Cover squab 1/3	1	
7	BTR4662SMK Cushion assembly 1/3	1	
8	BTR4663SMK Cover cushion 1/3	1	
<b>Armrest 1/3 Squab</b>			
9	MXC6997SMK Armrest assembly	1	
10	MXC6999SMK Cover armrest	1	
<b>Armrest 2/3 Squab</b>			
9	MXC6996SMK Armrest assembly	1	
10	MXC7000SMK Cover armrest	1	
<b>Armrest - Centre</b>			
11	MXC6466SMK Armrest assembly	1	
12	MXC5992SMK Cover armrest	1	
13	MWC2720 Hinge assembly RH	1	
14	MWC2721 Hinge assembly LH	1	
15	SE106161L Screw	4	
16	WW106041L Washer	4	

Note(1) COLOUR CODE SMK - Lightstone.



**Model** RANGE ROVER 1992 onwards  
**Page** BDRXGC2A

**SEATS - REAR - AUSTRALIA SPECIAL EDITION ONLY**

Ill. Part No.	Description	Qty	Remarks
17	BH108181L	2	Bolt
18	WF108001L	2	Washer
19	BTR193SUA	1	Panel seatback 1/3
20	BTR194SUA	1	Panel seatback 2/3
21	MXC7811RUN	1	Panel seatbase 1/3
22	MXC7812RUN	1	Panel seatbase 2/3
23	AGU1425	11	Fastener
24	AJU1136L	11	Stud anchor
25	SB106121	2	Screw
26	WA106041L	2	Washer plain
27	MWC5053	4	Spacer
28	MWC4816	4	Pivot bush
29	SH106167	4	Screw
30	WA106041L	4	Washer
31	MXC3076	1	Striker RH
	MXC3077	1	Striker LH
32	MXC3187	2	Shim
33	SJ106200	4	Screw
34	WL106001	4	Washer
35	MTC9428	A/R	Screw
36	MTC9429	A/R	Washer
37	AC608053L	4	Woodscrew
38	WF108001L	1	Washer
39	BH108181L	1	Screw
40	MWC6060	4	Bracket Upper
41	MWC6061	4	Bracket Lower

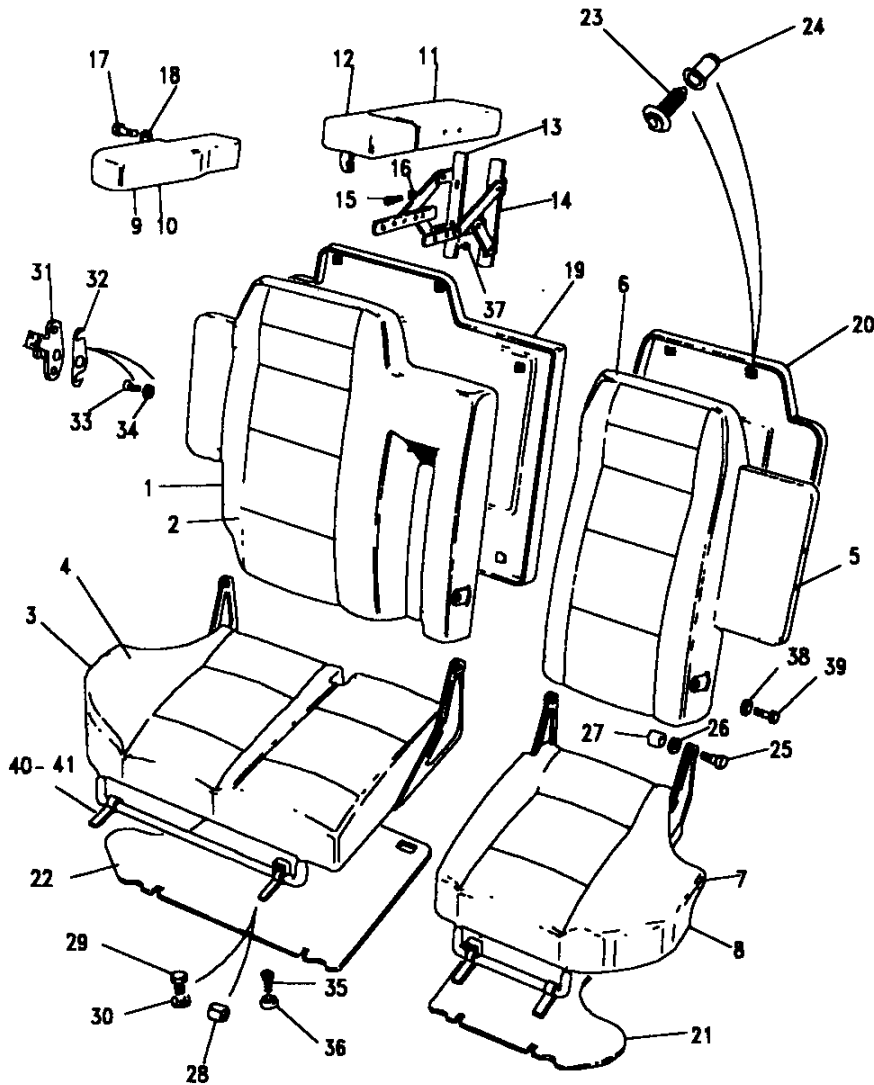
Note(1) COLOUR CODE SMK - Lightstone, RUN - Bokhara.

**Model** RANGE ROVER 1992 onwards  
**Page** BDRXGC2A

**SEATS - REAR SEATS 25th ANNIVERSARY EDITION GULF STATES ONLY**

III. Part No.	Description	Qty	Remarks
<b>2/3 Squab</b>			
1	BTR7395SMK	1	Squab assembly 2/3
2	BTR7433SMK	1	Cover 2/3 squab
<b>2/3 Cushion</b>			
3	BTR7393SMK	1	Cushion assembly 2/3
4	BTR7435SMK	1	Cover 2/3 cushion
<b>1/3 Squab</b>			
5	BTR7394SMK	1	Squab assembly 1/3
6	BTR7432SMK	1	Cover 1/3 squab
<b>1/3 Cushion</b>			
7	BTR7392SMK	1	Cushion assembly 1/3
8	BTR7434SMK	1	Cover 1/3 cushion

Note(1) COLOUR CODE SMK - Lightstone



**MASTER INDEX**

	PAGES
INTRODUCTION PAGES	1 - 3
ALPHABETICAL INDEX	4 - 9
ENGINE	10 - 50
ENGINE	51 - 88
ENGINE	89 - 133
ENGINE	134 - 172
GEARBOX	173 - 194
GEARBOX	195 - 211
GEARBOX	212 - 238
TRANSFER BOX	239 - 252
AXLES AND SUSPENSION	253 - 313
STEERING	314 - 332
VEHICLE AND ENGINE CONTROLS	333 - 343
BRAKES	344 - 374
FUEL SYSTEM AND AIR CLEANER	375 - 401
EXHAUST SYSTEM	402 - 409
COOLING/HEATING	410 - 456
BODY ELECTRICAL	457 - 574
BODY AND CHASSIS	575 - 681
INTERIOR TRIM	682 - 772
SEATS	773 - 843
SEATS	844 - 862
STOWAGE	863 - 865
ACCESSORIES - PAINTS	866 - 893
NUMERICAL INDEX	895 - 958

GROUP R

SEATS

SEATS

PLINTH & FINISHERS	775 - 781
FRONT - NON HEATED - MANUAL - 2 DOOR.	782 - 783
FRONT - HEATED - MANUAL - 4 DOOR.	784
FRONT - HEATED - MANUAL - 4 DOOR	785
FRONT - HEATED - MANUAL - 4 DOOR.	786
FRONT - HEATED - MANUAL - 4 DOOR	787
FRONT - HEATED - MANUAL - 4 DOOR.	788 - 789
FRONT - MANUAL - AUSTRALIA SPECIAL EDITION	790 - 791
FRONT - ELECTRIC - 4 DOOR	792 - 803
FRONT - HEATED/MEMORY - LIGHTSTONE LEATHER	804 - 806
FRONT - HEATED - MEMORY - LSE ONLY - SADDLE	807 - 809
FRONT - HEATED - MEMORY - LSE ONLY - DARK SABLE	810 - 812
FRONT - 25th ANNIVERSARY Ltd EDITION GULF STATES	813 - 814
REAR BENCH TYPE SEATS	815 - 816
REAR SEATS - VELOUR	817 - 821
REAR SEATS - LEATHER	822 - 832
REAR SEATS - LEATHER - LSE ONLY - SADDLE	833 - 835
REAR SEATS - LEATHER - LSE ONLY - DARK SABLE	836 - 838
REAR - LIGHTSTONE LEATHER 1994 MODEL YEAR.	839 - 840
REAR - AUSTRALIA SPECIAL EDITION ONLY	841 - 842



RANGE ROVER 1992 onwards

845

SEATS

GROUP R

SEATS

SEATS

REAR SEATS 25th ANNIVERSARY EDITION GULF STATES ONLY	843 - 848
COVER PANEL & LOCK BENCH SEATS	849
REAR RELEASE MECHANISM	850 - 851
HEADRESTS.	852
HEADRESTS	853 - 854
HEADRESTS.	855
HEADRESTS - LIGHTSTONE LEATHER - 1994 MODEL YEAR On	856
HEADRESTS - 25th ANNIVERSARY GULF STATES ONLY	857
FRONT BELTS.	858 - 859
REAR BELT.	860
REAR BELT	861
REAR ANCHORAGE.	862





**Model** RANGE ROVER 1992 onwards  
**Page** BDRXGC1A

& ü

**SEATS - REAR SEATS 25th ANNIVERSARY EDITION GULF STATES ONLY**

III. Part No.	Description	Qty	Remarks
---------------	-------------	-----	---------

**Armrest 1/3 Squab**

9	BTR7653SMK	Armrest assembly	1
10	BTR7631SMK	Cover armrest	1
11	BH108201L	Washer	2
12	WF108001L	Screw	2

**Armrest 2/3 Squab**

11	BH108201L	Bolt	2
12	WF108001L	Washer spring	2
13	BTR7652SMK	Armrest assembly	1
14	BTR7652SMK	Cover armrest	1

**Armrest centre**

15	BTR7651SMK	Armrest assembly	1
16	BTR7629SMK	Cover armrest	1

Note(1) COLOUR CODE SMK - Lightstone

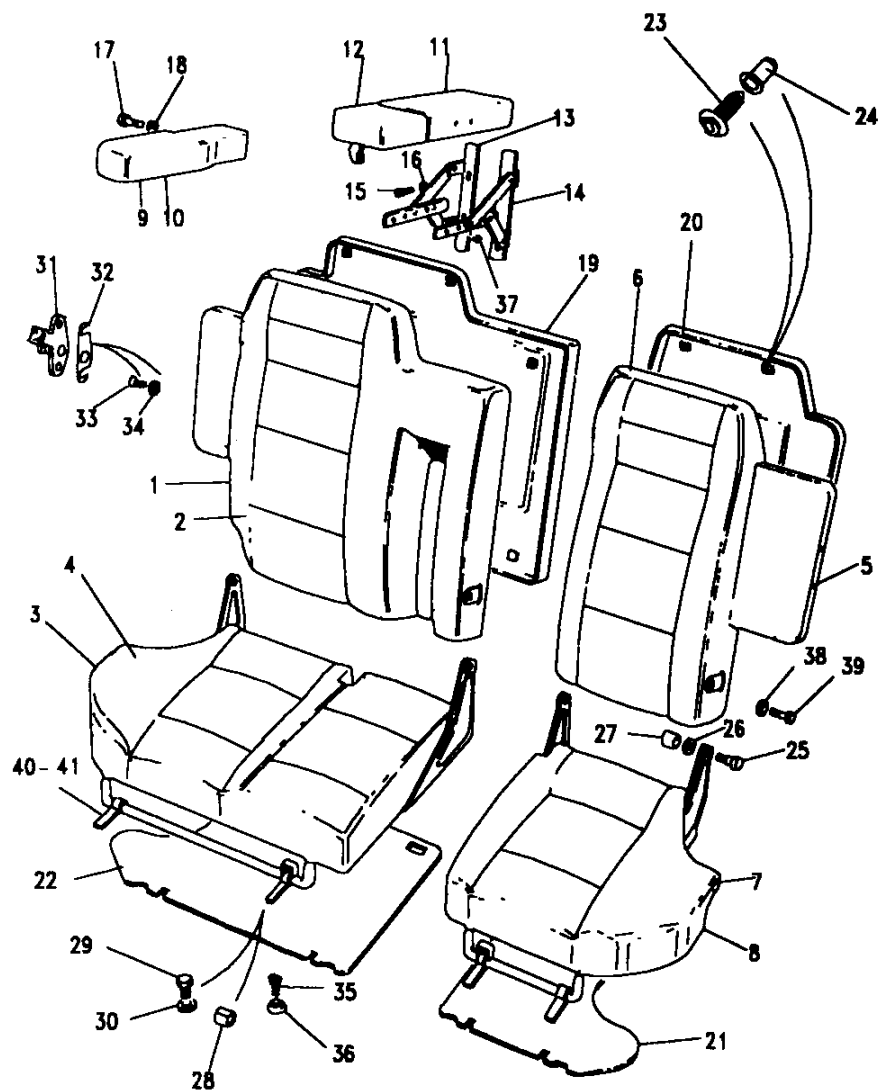
**Model** RANGE ROVER 1992 onwards

**Page** BDRXGC1A

**SEATS - REAR SEATS 25th ANNIVERSARY EDITION GULF STATES ONLY**

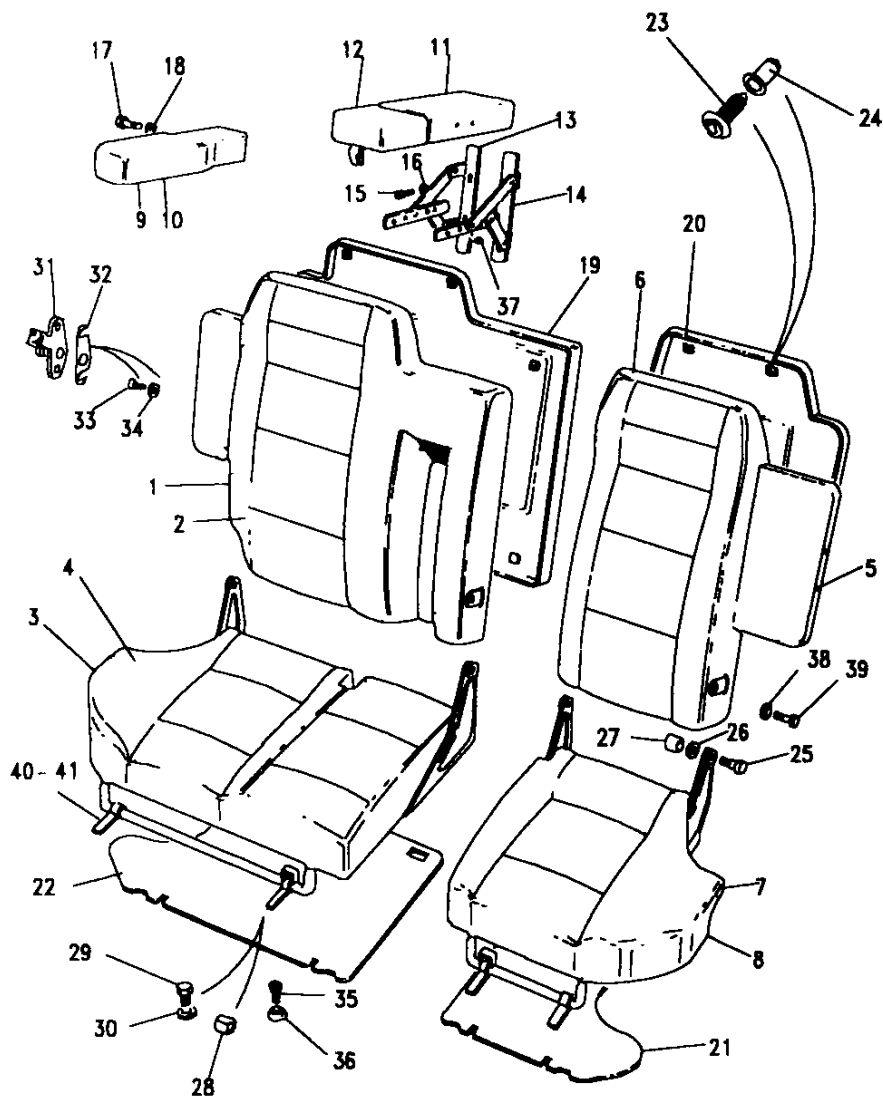
III. Part No.	Description	Qty	Remarks
17	AC608052L	6	Screw
18	BTR8348	1	Hinge assembly RH
	BTR8349	1	Hinge assembly LH
19	SE106161L	4	Screw
20	WA106041L	4	Washer plain
21	BTR193LNF	1	Panel seatback 1/3
22	BTR194LNF	1	Panel seatback 2/3
23	AGU1425	11	Fastener
24	AJU1136L	11	Stud anchor
25	WA106041L	2	Washer

Note(1) COLOUR CODE LNF - Ash grey,



**Model** RANGE ROVER 1992 onwards  
**Page** BDRXGC1A

**SEATS - REAR SEATS 25th ANNIVERSARY EDITION GULF STATES ONLY**

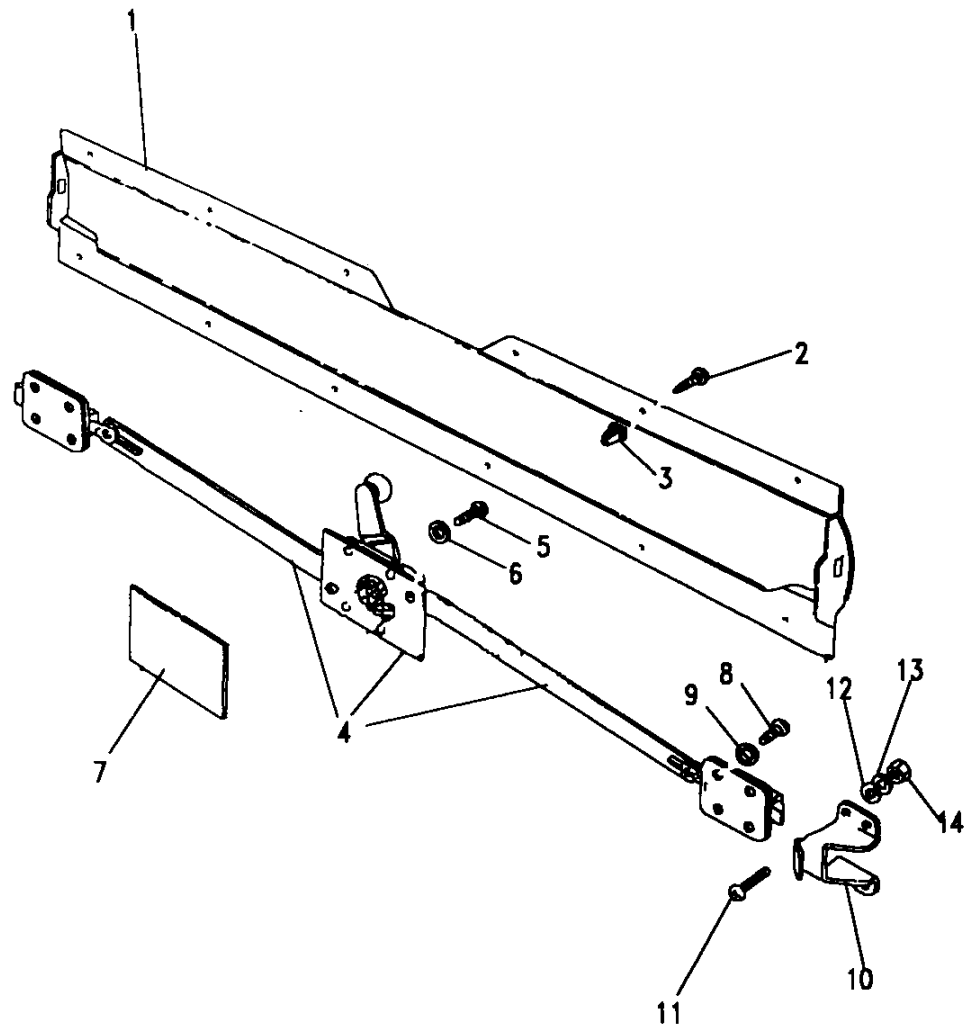


III. Part No.	Description	Qty	Remarks
26	MWC5053	2	Spacer
27	SB106121L	1	Screw
28	MXC7811LNF	1	Panel seatbase 1/3
29	MXC7812LNF	1	Panel seatbase 2/3
30	MWC4816	4	Pivot Bush
31	MWC6060	4	Bracket
	MWC6061	4	Bracket
32	MTC9428	A/R	Screw
33	MTC9429	A/R	Washer
34	FS106167L	4	Screw
35	WA106041L	4	Washer
36	MXC1166	1	Striker RH
	MXC1167	1	Striker LH
37	MXC3187	1	Shim
38	BTR3576	2	Screw
39	WF108001L	4	Washer

**Model** RANGE ROVER 1992 onwards

**Page** BDRXIA2A

**SEATS - COVER PANEL & LOCK BENCH SEATS**



Ill. Part No.	Description	Qty	Remarks
1	390795RUN	1	Cover panel
2	AB608041L	12	Screw
3	570779	12	Lock nut
4	390747	1	Lock assembly
5	78898	2	Screw
6	WM600041L	2	Washer spring
7	392581	1	Pad
8	AFU1153	8	Screw
9	WM702001L	8	Washer spring
10	MRC1390	1	Bracket RH
	MRC1391	1	Bracket LH
11	AFU1153	8	Screw
12	WC702101L	8	Washer plain
13	WM702001L	8	Washer spring
14	HN2005L	8	Nut

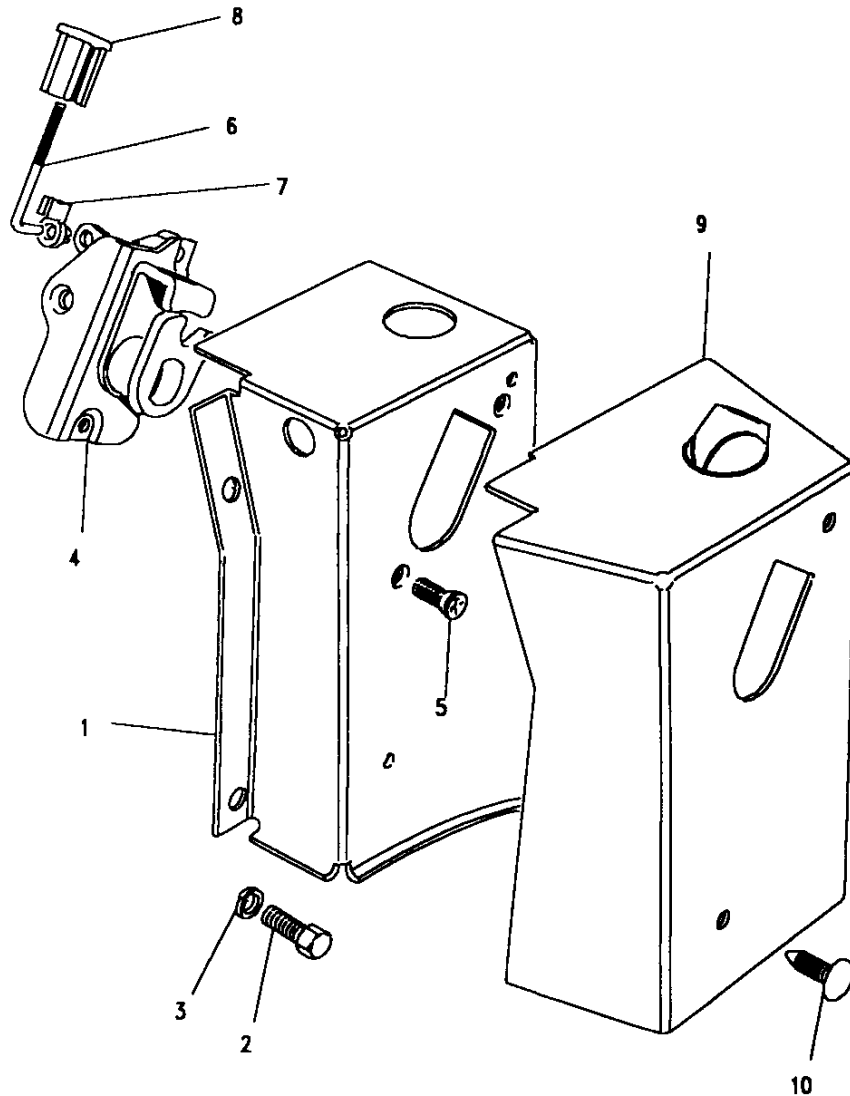
Note(1) COLOUR CODE RUN - Bokhara LNF - Ash grey

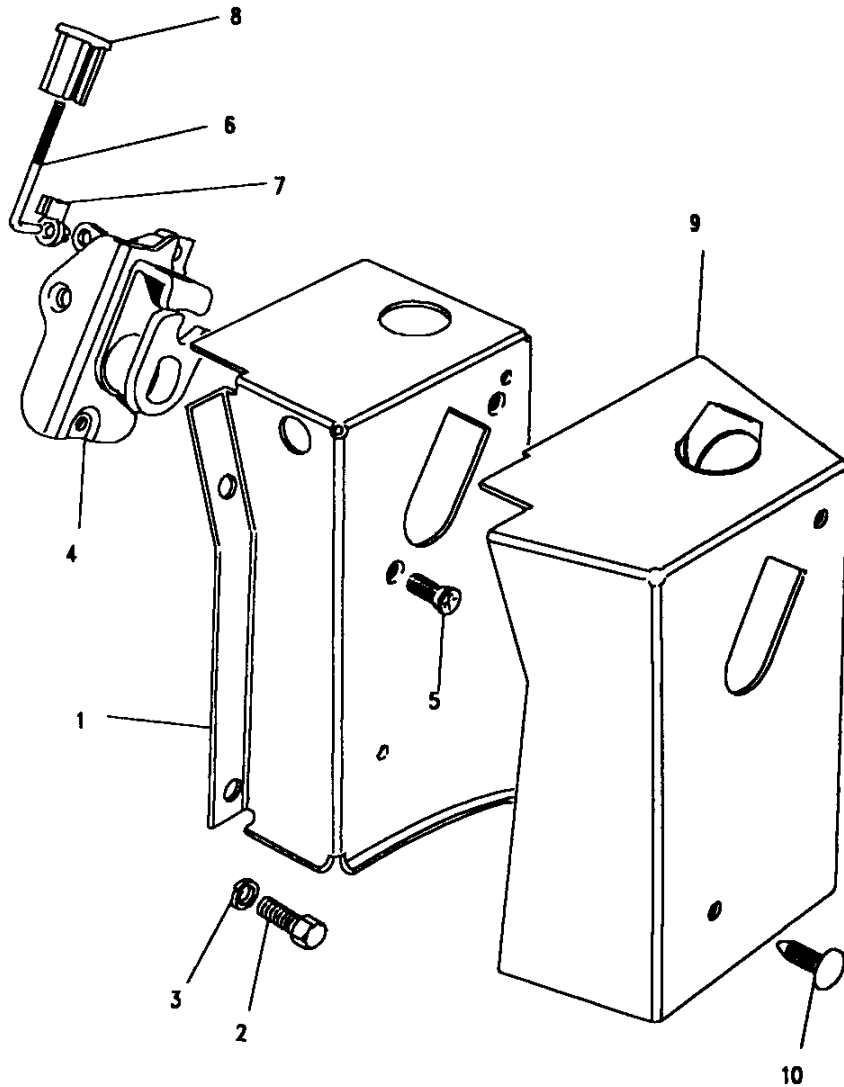
**Model** RANGE ROVER 1992 onwards  
**Page** BDRXIA1A

**SEATS - REAR RELEASE MECHANISM**

Ill. Part No.	Description	Qty	Remarks
1	MWC8292	1	Support RH
	MWC8293	1	Support LH
2	SH604051L	8	Screw
3	WM600041L	8	Washer spring
4	MWC8299	1	Plate LH
	MWC8300	1	Plate RH
5	SF106201L	6	Screw
6	MXC3909	2	Rod release
7	MXC1198	2	Clip
<b>Button</b>			
8	MXC3073SUA	2	Button
	MXC3073LUL	2	Button
	MXC3073RWD	2	Button
	MXC3073AUK	2	Button
	MXC3073LOY	2	Button )Note(1)
	MXC3073LNF	2	Button )

Note(1) From MA647645  
 Note(2) COLOUR CODE. SUA - Sorrell brown, LUL - Winchester grey, LNF - Ash grey, LOY - Dark granite, RWD - Sable, AUK - Tan.





**Model** RANGE ROVER 1992 onwards

**Page** BDRXIA1A

**SEATS - REAR RELEASE MECHANISM**

III. Part No.	Description	Qty	Remarks
<b>Cover - right hand side</b>			
9	MWC8294SUA	1	)Note(1) }
	MWC8294LUL	1	
	MWC8294RWD	1	
	MWC8294AUK	1	
	MWC8294LOY	1	
	MWC8294LNF	1	
<b>Cover - Left hand side</b>			
	MWC8295SUA	1	)Note(1) }
	MWC8295LUL	1	
	MWC8295RWD	1	
	MWC8295AUK	1	
	MWC8295LOY	1	
	MWC8295LNF	1	
<b>All variants</b>			
10	MRC4283SUA	4	)Note(1) }
	MRC4283LUL	4	
	MRC4283RWD	4	
	MRC4283AUK	4	
	MRC4283LOY	4	
	MRC4283LNF	4	

Note(1)

From MA647645

Note(2)

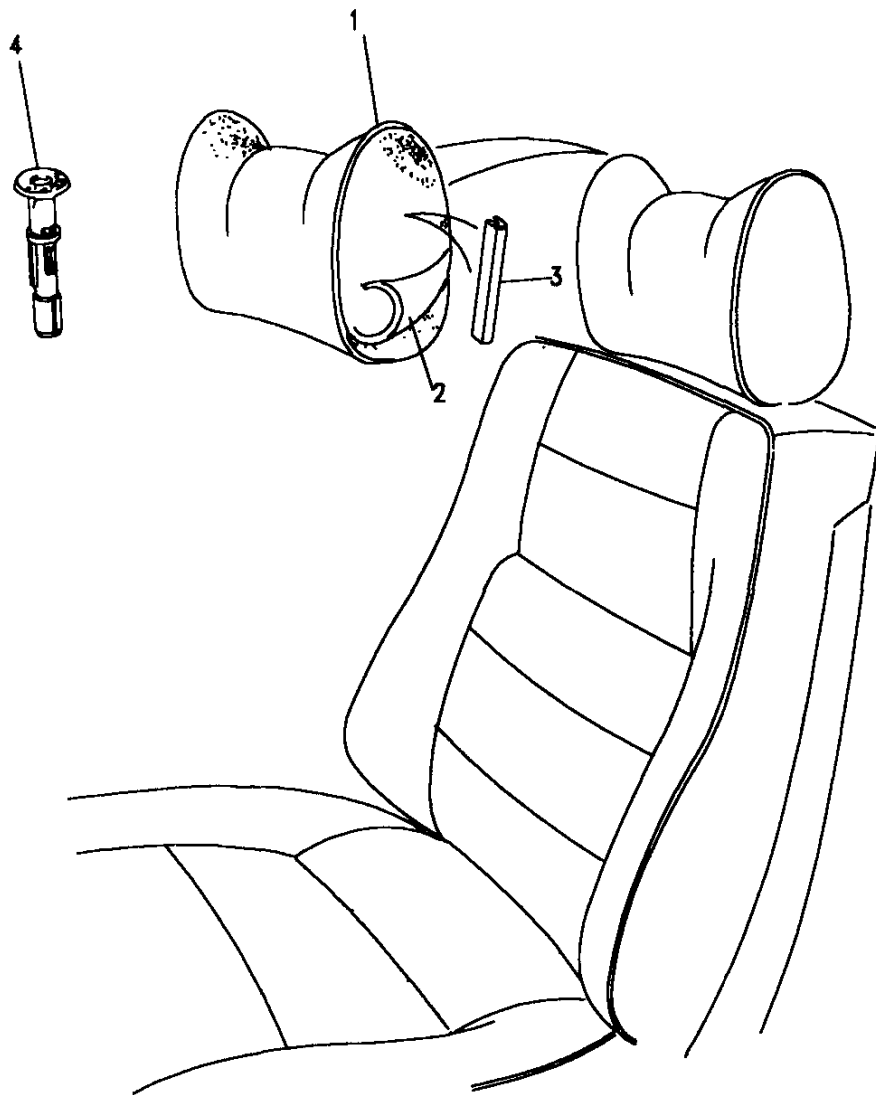
COLOUR CODE. SUA - Sorrell brown, LUL - Winchester grey, LNF - Ash grey, LOY - Dark granite, RWD - Sable, AUK - Tan.

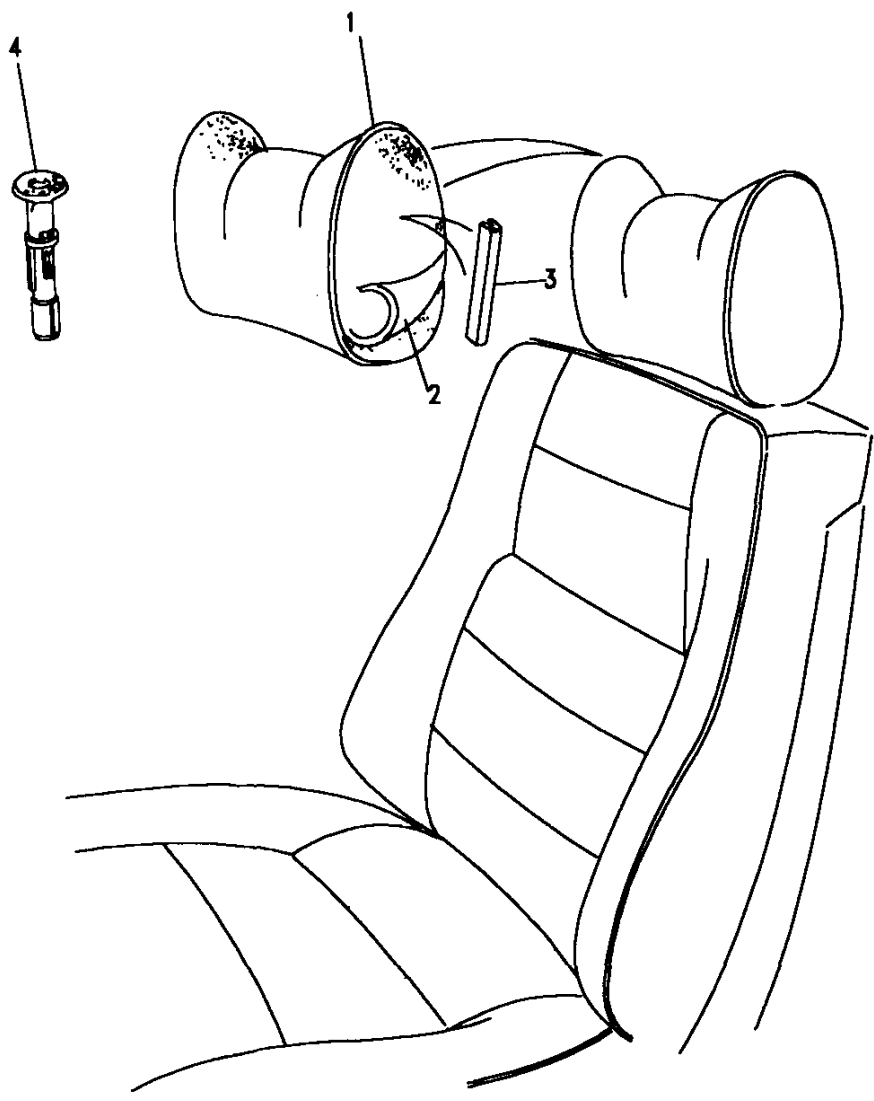
**Model** RANGE ROVER 1992 onwards  
**Page** BDRXMA1A

**SEATS - HEADRESTS.**

III. Part No.	Description	Qty	Remarks
<b>Velour</b>			
1 MWC4666AUE	Headrest	2	
MWC4666LUL	Headrest	2	
MWC4666LOY	Headrest	2	Note(1)
2 MWC4667AUE	Cover	2	
MWC4667LUL	Cover	2	
MWC4667LOY	Cover	2	Note(1)

Note(1) From MA647645





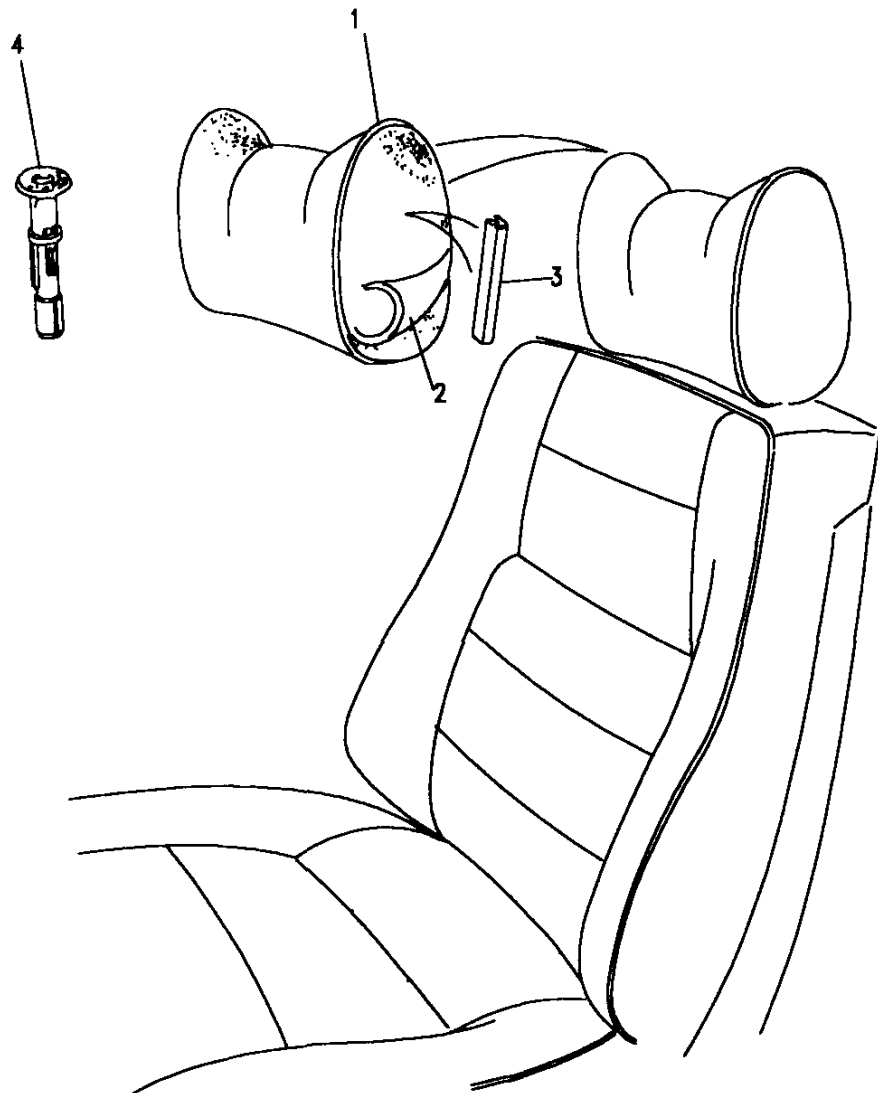
**Model** RANGE ROVER 1992 onwards  
**Page** BDRXMA1A

**SEATS - HEADRESTS**

III. Part No.	Description	Qty	Remarks
<b>Leather</b>			
1	MWC5976SUA	2	Headrest
	MWC5976LUL	2	Headrest Note(1)
	MWC5976LUV	2	Headrest Note(2)
	MWC5976RWD	2	Headrest
	BTR2828AUK	2	Headrest
	BTR7436LNF	2	Headrest )Note(3)
	BTR7436LOY	2	Headrest )
	BTR7436SUA	2	Headrest )
2	MWC5977SUA	2	Cover
	MWC5977LUL	2	Cover Note(1)
	MWC5977LUV	2	Cover Note(2)
	MWC5977RWD	2	Cover
	BTR2830AUK	2	Cover
	BTR7448SUA	2	Cover )Note(3)
	BTR7448LOY	2	Cover )
	BTR7448LNF	2	Cover )

Note(1) Up to JA624755  
 Note(2) From KA624756  
 Note(3) From MA647645



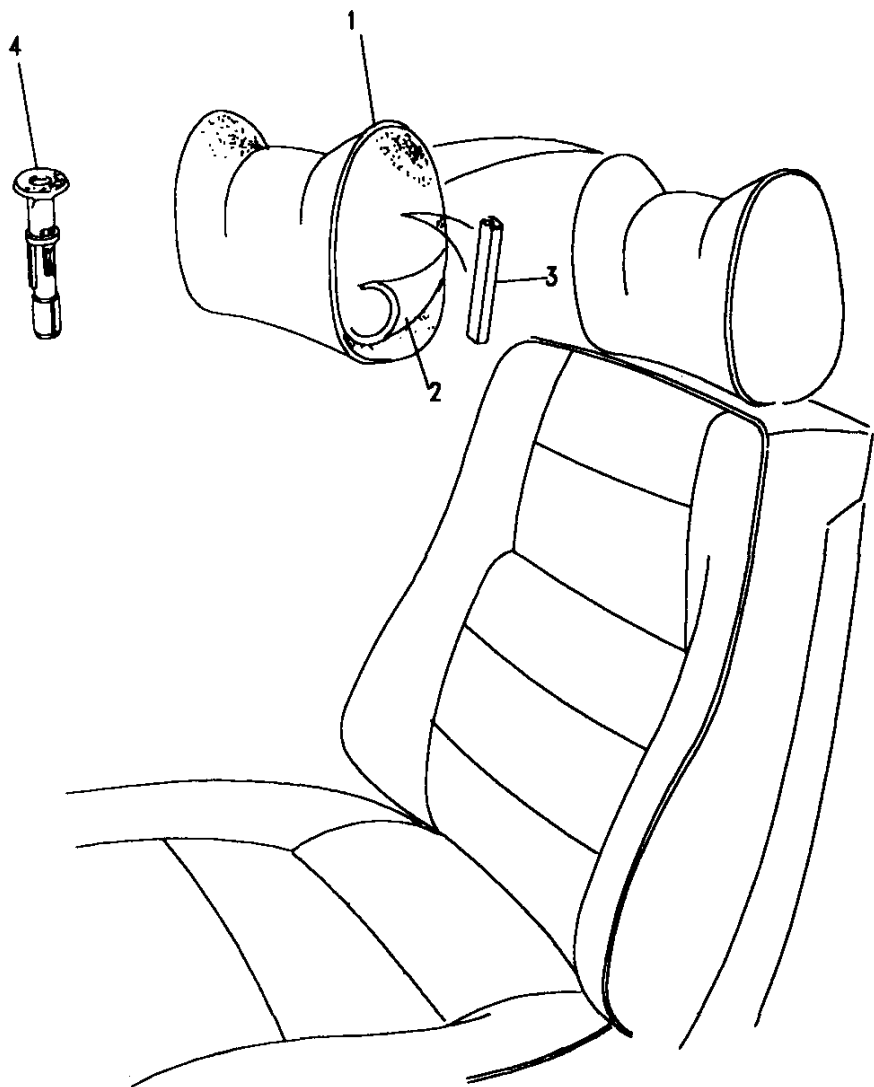


**Model** RANGE ROVER 1992 onwards  
**Page** BDRXMA1A

**SEATS - HEADRESTS**

III. Part No.	Description	Qty	Remarks
<b>Leather - Australia special edition only</b>			
1	BTR4656SMK Headrest	2	
2	BTR4657SMK Cover	2	

Note(1) Up to JA624755  
 Note(2) From KA624756  
 Note(3) COLOUR CODE. SMK - Lightstone.

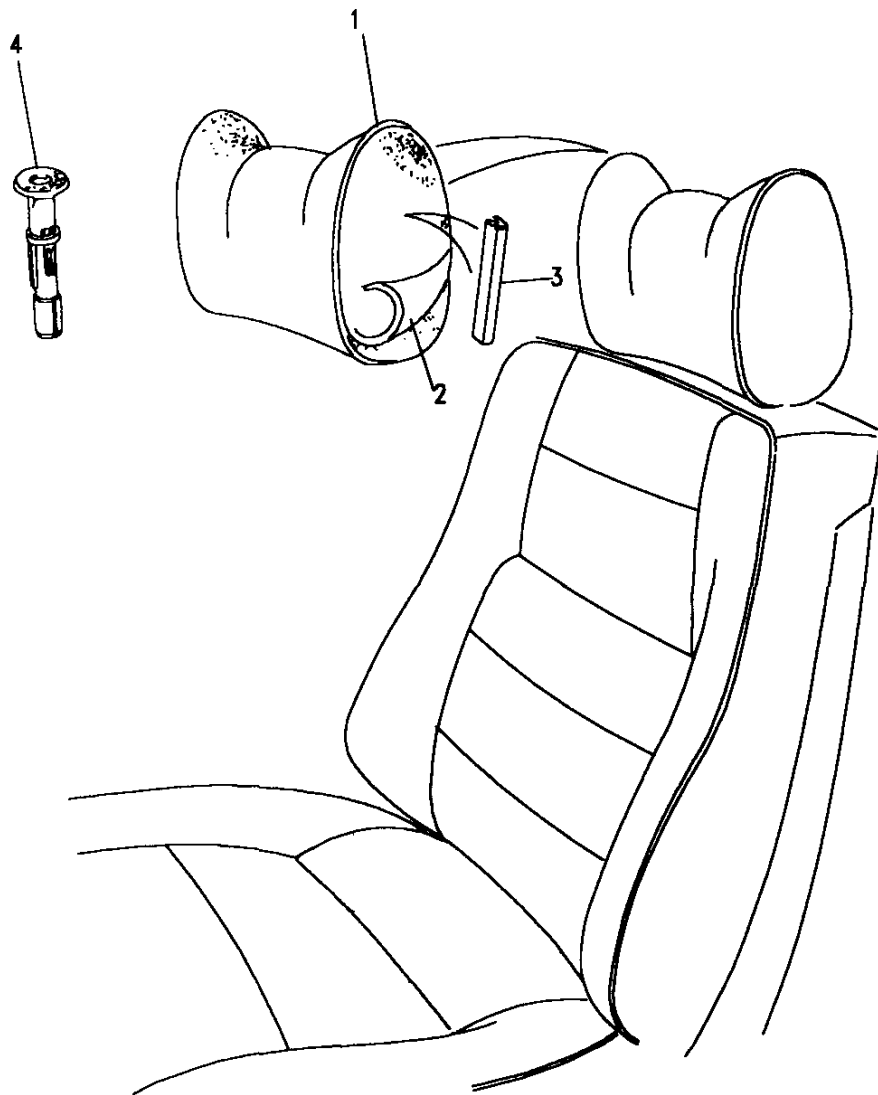


**Model** RANGE ROVER 1992 onwards  
**Page** BDRXMA1A

**SEATS - HEADRESTS.**

III. Part No.	Description	Qty	Remarks
<b>All variants</b>			
3	JRC7549 Finisher	2	
4	YXX2777LUL Escutcheon	2	) Note(1)
	YXX2777SUA Escutcheon	2	
	BTR3636LUL Escutcheon	2	) Note(2)
	BTR3636SUA Escutcheon	2	
	BTR3636RWD Escutcheon	2	
	BTR3636AUK Escutcheon	2	
	BTR3636LNF Escutcheon	2	) Note(3)
	BTR3636SUA Escutcheon	2	

Note(1) Up to KA632912  
 Note(2) From KA632913  
 Note(3) From MA647645  
 Note(4) COLOUR CODE. SMK - Lightstone, SUA - Sorrell brown, AUE - Brogue, LUL - Winchester grey, LNF - Ash grey, RWD - Sable.

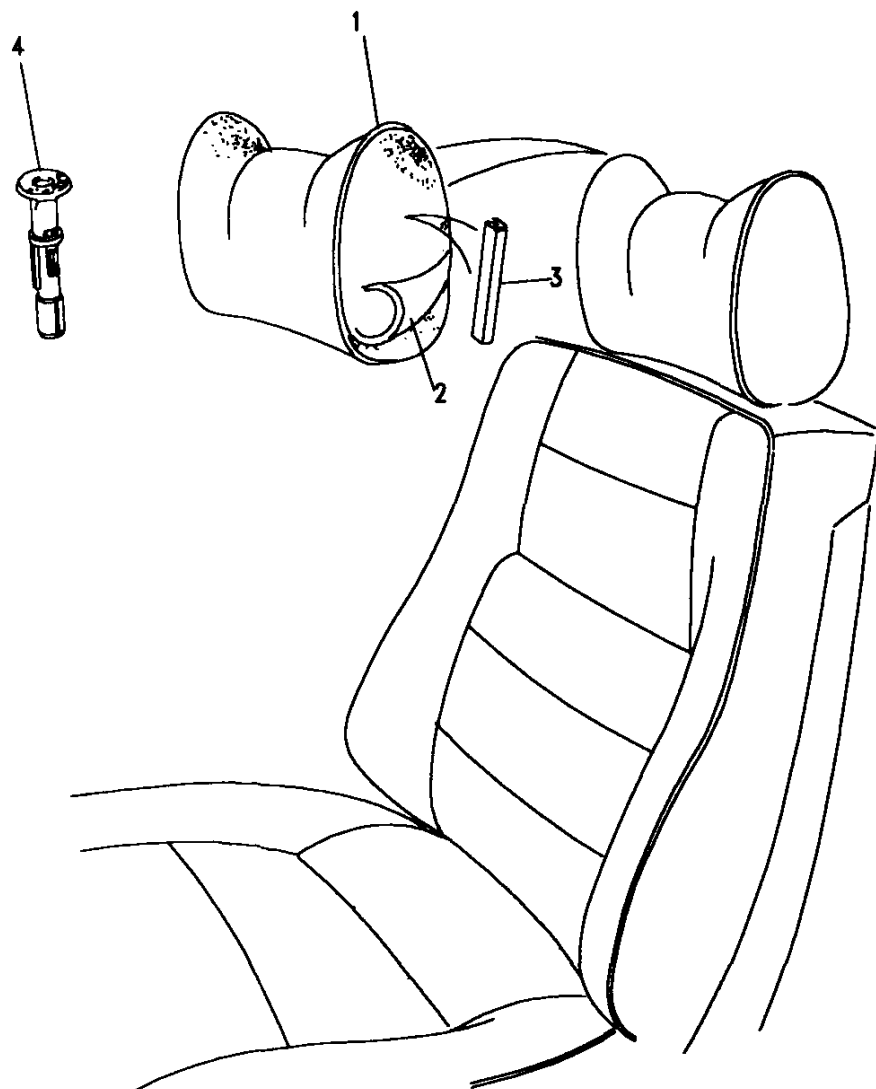


**Model** RANGE ROVER 1992 onwards  
**Page** BDRXMA1A

**SEATS - HEADRESTS - LIGHTSTONE LEATHER - 1994 MODEL YEAR On**

III. Part No.	Description	Qty	Remarks
1 BTR8380SMK	Headrest	2	
BTR7436SMK	Headrest	2	Note(1)
2 BTR8371SMK	Cover	2	
BTR7448SMK	Cover	2	Note(1)
3 JRC7549	Finisher	2	
4 BTR3636SUA	Escutcheon	2	

Note(1) From MA647645  
 Note(2) COLOUR CODE. SMK - Lightstone, SUA - Sorrell brown,



**Model** RANGE ROVER 1992 onwards

**Page** BDRXMA1A

**SEATS - HEADRESTS - 25th ANNIVERSARY GULF STATES ONLY**

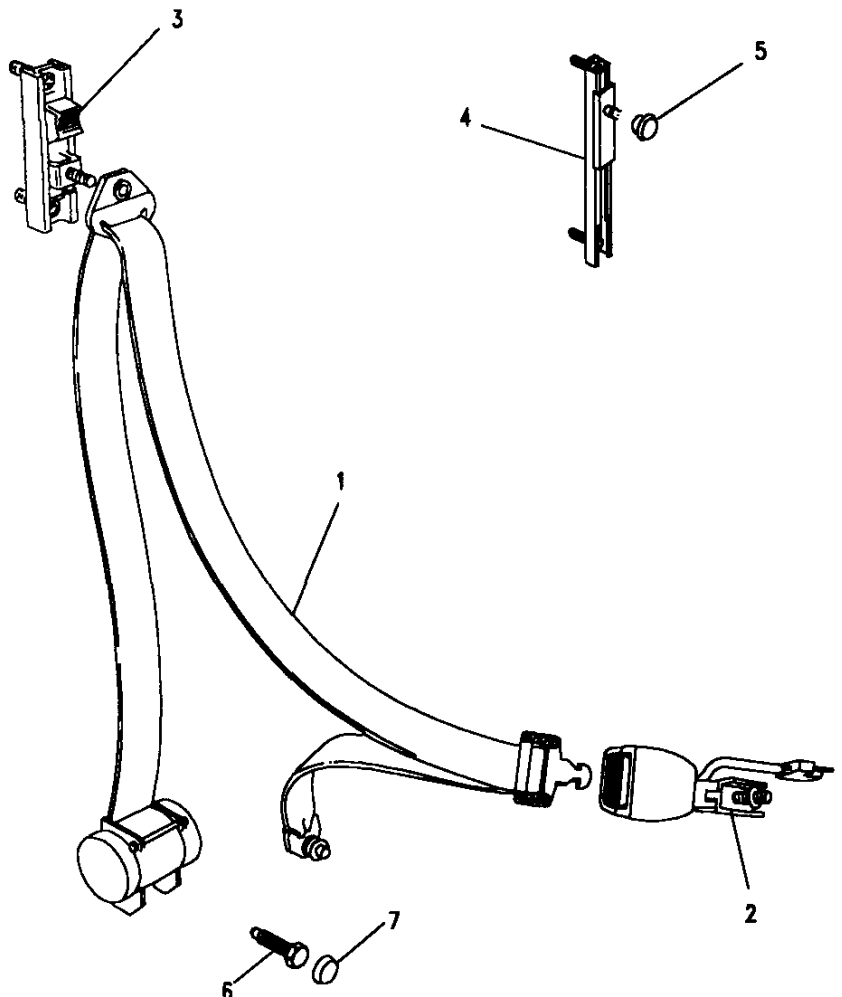
III. Part No.	Description	Qty	Remarks
<b>Headrest &amp; cover.</b>			
1	BTR8380SMK	Headrest assembly	2
2	BTR8371SMK	Cover headrest	2
3	JRC7549	Finisher	2
4	BTR3636SUA	Escutcheon	2

Note(1) COLOUR CODE. SMK - Lightstone, SUA - Sorrell brown,

Model RANGE ROVER 1992 onwards

Page BDRXPA1A

**SAFETY HARNESS - FRONT BELTS.**

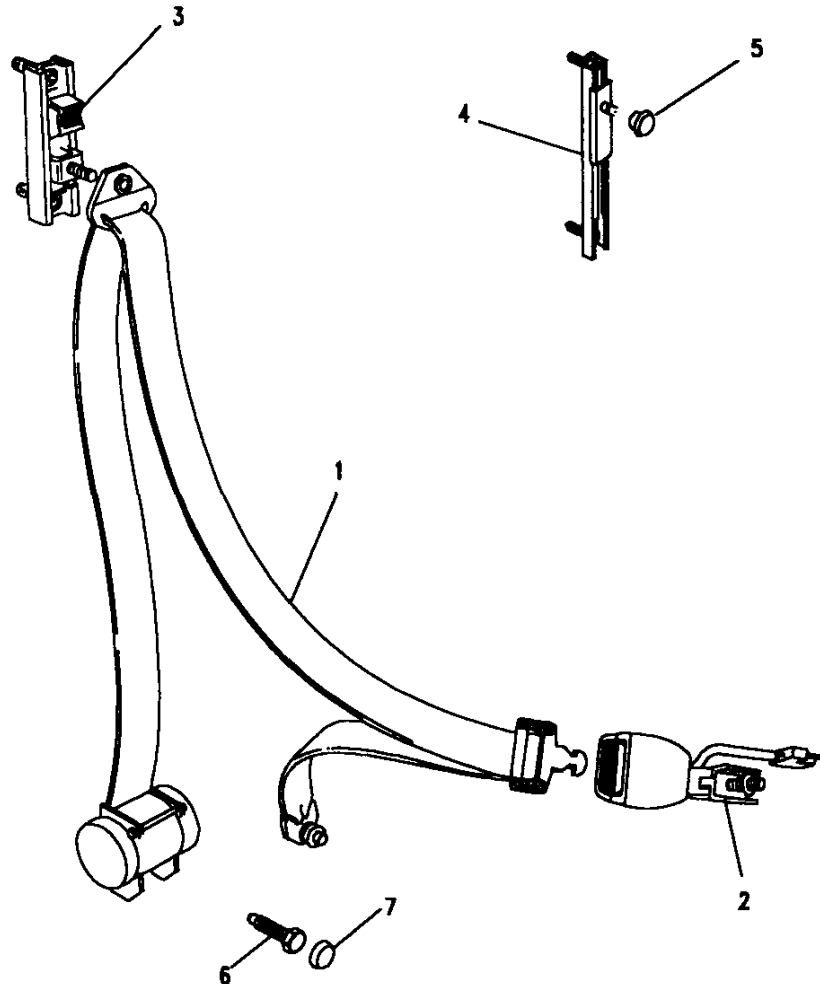


III. Part No.	Description	Qty	Remarks
<b>2 Door</b>			
1 MXC5499RUN	Reel assembly	2	Note(1)
BTR5883RUN	Reel assembly	2	Note(2)
<b>4 Door</b>			
1 BTR3041RUN	Reel assembly	2	Note(1)
BTR5347RUN	Reel assembly	2	Note(2)
BTR8740LNF	Reel assembly	2	Note(3)
<b>Non audible warning</b>			
2 BTR143RUN	Buckle assembly	2	
BTR8742LNF	Buckle assembly	2	Note(3)
<b>Audible warning</b>			
2 BTR144RUN	Buckle assembly	2	
BTR8743LNF	Buckle assembly	2	Note(3)

Note(1) Up to JA624755  
 Note(2) From KA624756  
 Note(3) From MA647645  
 Note(4) COLOUR CODE RUN - Bokhara, LNF - Ash grey.

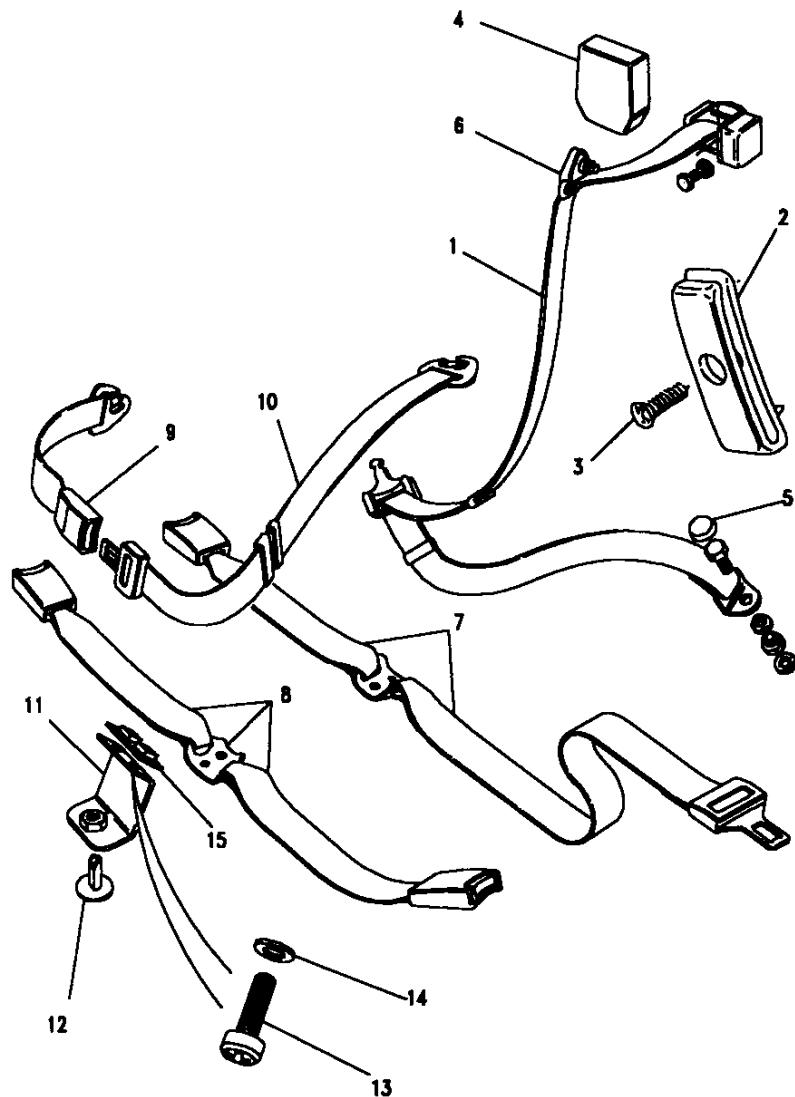
**Model** RANGE ROVER 1992 onwards  
**Page** BDRXPA1A

**SAFETY HARNESS - FRONT BELTS.**



III. Part No.	Description	Qty	Remarks
<b>All variants</b>			
3	MUC2564	2	Note(1)
4	BTR2125	2	)
5	BTR5811LUL	2	)
	BTR5811SUA	2	)Note(2)
	BTR5811AUK	2	)
	BTR5811RWD	2	)
	BTR5811LOY	2	)Note(4)
	BTR5811LNF	2	)
6	BTR6368	2	)
	BTR9323	2	Note(4)
7	BTR1884RUN	2	Note(1)
	BTR1884PMA	2	Note(3)
	BTR8356RUN	2	Note(2)
	BTR8356LNF	2	Note(4)
	STC1180	1	)
8	BTR9322	2	Note(4)

Note(1) Up to JA624755  
 Note(2) From KA624756  
 Note(3) Some vehicles fitted with Black caps.  
 Note(4) From MA647645  
 Note(5) COLOUR CODE RUN - Bokhara, LUL - Winchester grey, LNF - Ash grey, LOY - Dark granite, SUA - Sorrell brown, RWD - Sable, AUK - Tan, PMA - Black.

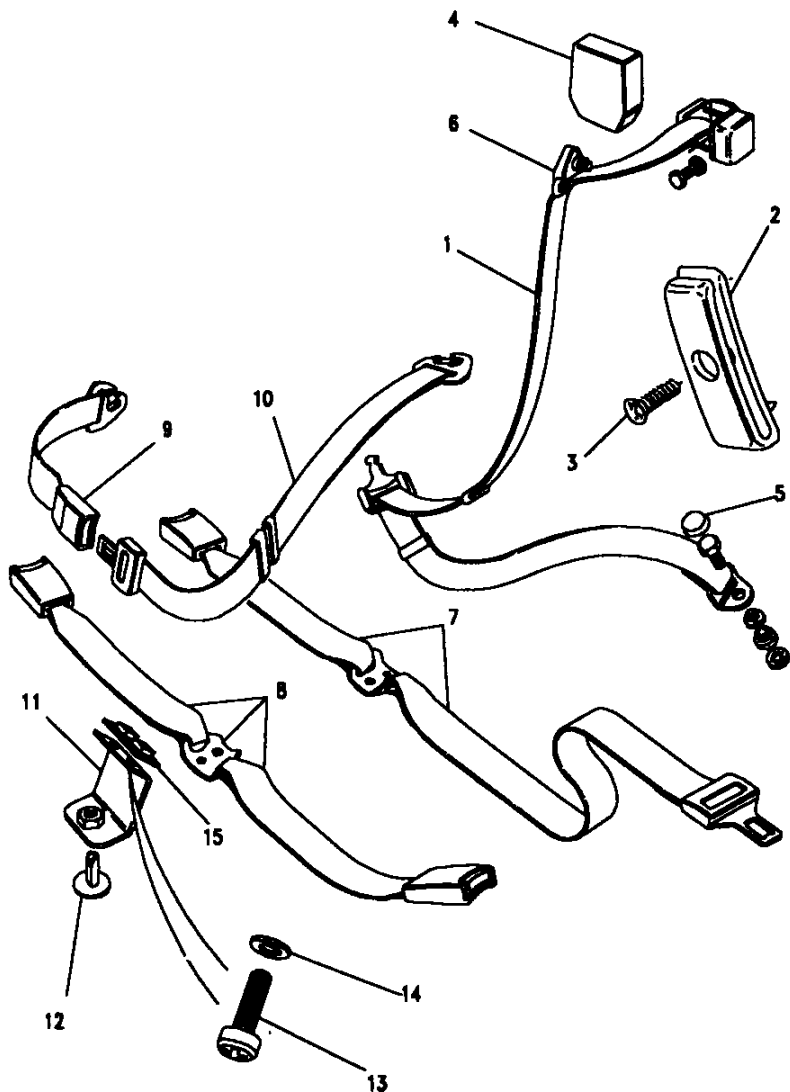


**Model** RANGE ROVER 1992 onwards  
**Page** BDRXPC1A

**SAFETY HARNESS - REAR BELT.**

III. Part No.	Description	Qty	Remarks
<b>Right hand side.</b>			
1 BTR3042RUN	Reel assembly RH	1	Note(1)
BTR5884RUN	Reel assembly RH	1	Note(2)
BTR5884LNF	Reel assembly RH	1	Note(3)
<b>Left hand side.</b>			
BTR3043RUN	Reel assembly LH	1	Note(1)
BTR5885RUN	Reel assembly LH	1	Note(2)
BTR5885LNF	Reel assembly LH	1	Note(3)

Note(1) Up to JA624755  
 Note(2) From KA624756  
 Note(3) From MA647645  
 Note(4) COLOUR CODE RUN - Bokhara LNF - Ash grey.



**Model** RANGE ROVER 1992 onwards  
**Page** BDRXPC1A

**SAFETY HARNESS - REAR BELT**

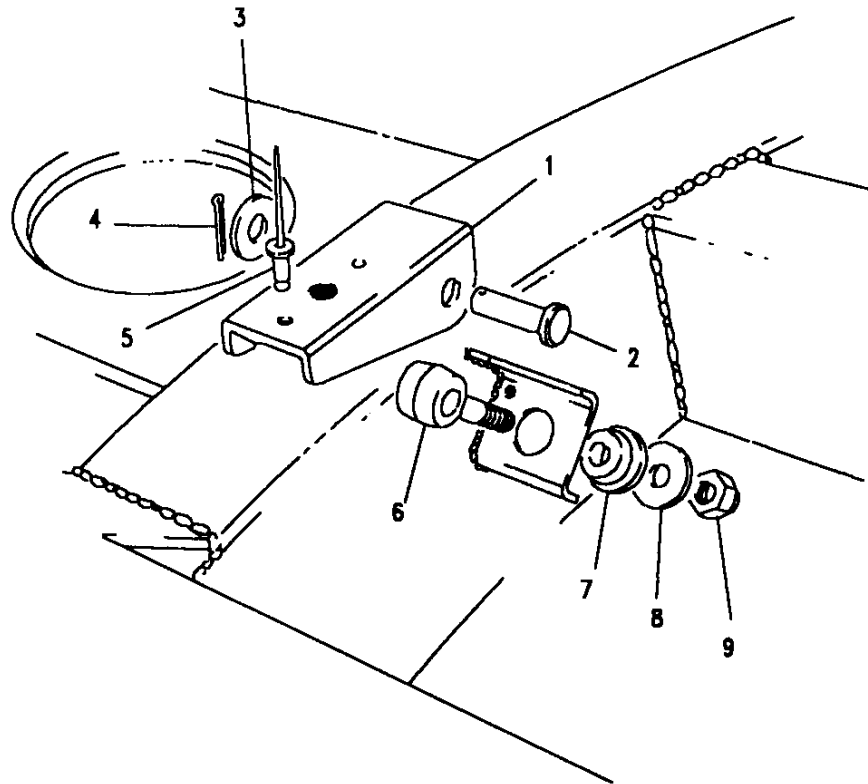
Ill. Part No.	Description	Qty	Remarks
<b>All variants.</b>			
2	MWC1055RUN	2	
	MWC1055LNF	2	Note(1)
3	AD610084	2	
4	MWC4592RUN	2	
	MWC4592LNF	2	Note(1)
5	MTC2610	2	
6	RTC5917	2	
7	BTR545RUN	1	
	BTR545LNF	1	Note(1)
8	BTR339RUN	1	
	BTR339LNF	1	Note(1)
9	BTR479RUN	2	
10	BTR512RUN	3	
<b>Australia only</b>			
11	BTR453	3	
12	BTR380LUM	3	
	BTR8096LUM	3	Note(1)
13	SE105121L	6	
14	WL105001L	6	
15	BTR3932	3	

Note(1) From MA647645  
 Note(2) COLOUR CODE RUN - Bokhara LNF - Ash grey



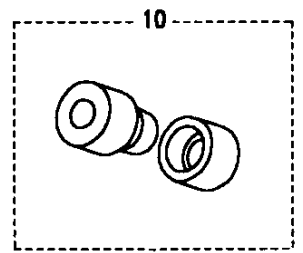
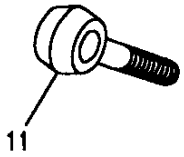
**Model** RANGE ROVER 1992 onwards  
**Page** BDRXRC1A

**SAFETY HARNESS - REAR ANCHORAGE.**



III. Part No.	Description	Qty	Remarks
1	390774	2	Bracket
2	577259	2	Pin clevis
3	RTC611	2	Washer plain
4	RTC601	2	Pin split
5	RU612373L	4	Rivet
6	595099	2	Rod tie
7	577255	2	Grommet
8	577254	2	Washer
9	NY607041L	2	Nut
10	STC1393	2	Kit eye bolt bushes
11	BTR8341	2	Rod tie

)Up to  
 )KA644424  
 )From  
 )KA644425





MASTER INDEX

	PAGES
INTRODUCTION PAGES	1 - 3
ALPHABETICAL INDEX	4 - 9
ENGINE	10 - 50
ENGINE	51 - 88
ENGINE	89 - 133
ENGINE	134 - 172
GEARBOX	173 - 194
GEARBOX	195 - 211
GEARBOX	212 - 238
TRANSFER BOX	239 - 252
AXLES AND SUSPENSION	253 - 313
STEERING	314 - 332
VEHICLE AND ENGINE CONTROLS	333 - 343
BRAKES	344 - 374
FUEL SYSTEM AND AIR CLEANER	375 - 401
EXHAUST SYSTEM	402 - 409
COOLING/HEATING	410 - 456
BODY ELECTRICAL	457 - 574
BODY AND CHASSIS	575 - 681
INTERIOR TRIM	682 - 772
SEATS	773 - 843
SEATS	844 - 862
STOWAGE	863 - 865
ACCESSORIES - PAINTS	866 - 893
NUMERICAL INDEX	895 - 958

GROUP S

STOWAGE

STOWAGE

SPARE WHEEL RETENTION & TOOL STOWAGE.

GULF STATES ONLY

864

865

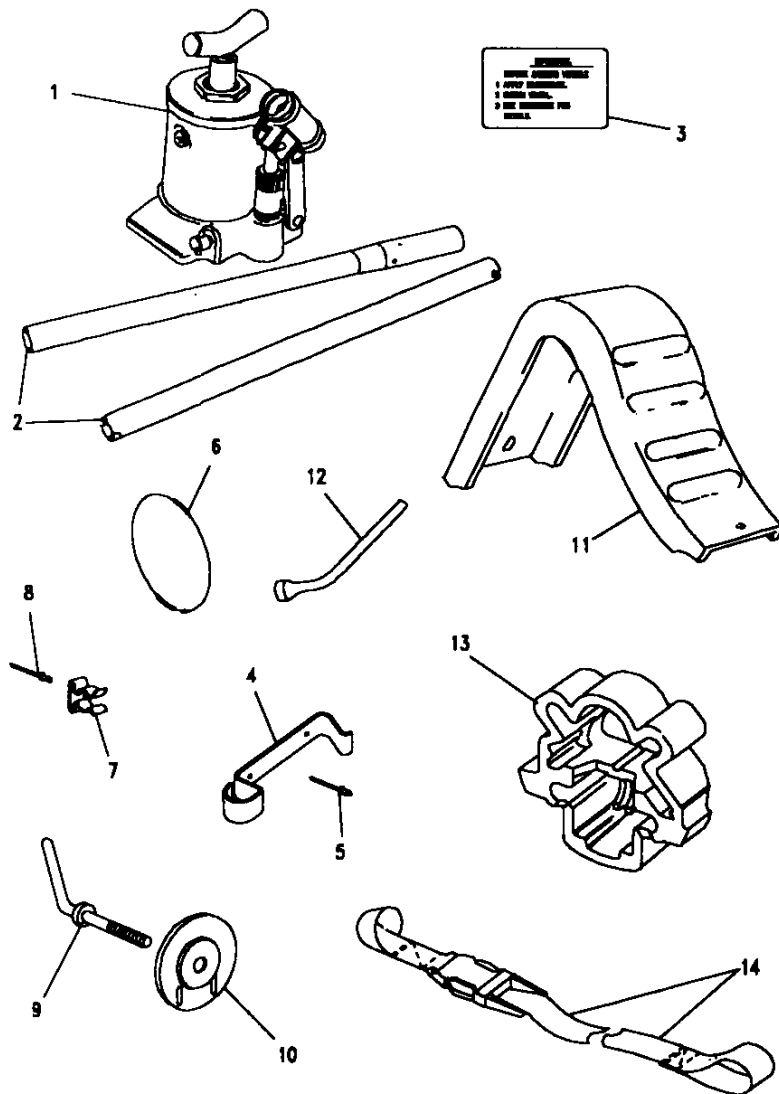


**Model** RANGE ROVER 1992 onwards  
**Page** BDSXAA1A

**MISCELLANEOUS - SPARE WHEEL RETENTION & TOOL STOWAGE.**

III. Part No.	Description	Qty	Remarks
1	NTC8166	1	Jack hydraulic
2	NTC6856	1	Shaft jack
3	NTC6857	2	Label safety
4	MWC9313	2	Bracket
5	RU612253	4	Rivet
6	NRC9101	2	Ring retaining
7	508035	4	Clip retaining
8	RU612183	6	Rivet
9	MXC5231	1	Handle locking
10	BTR335	1	Disc clamping
11	NTC7575	2	Wheel chock
12	NTC7829	1	Wheel nut wrench
13	BTR3515	1	Moulding tool stowage
	ANR1886	1	Moulding tool stowage
	BTR8154	1	Moulding tool stowage
14	BTR2752	1	Strap

Note(1) Up to JA624755  
 Note(2) From KA624756 up to KA635915  
 Note(3) From KA635916



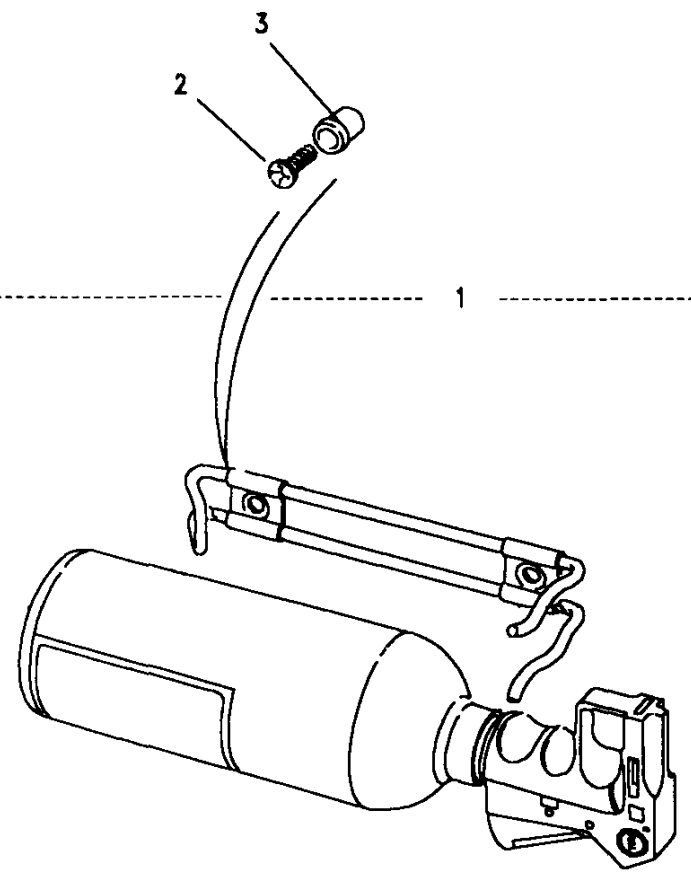


**Model** RANGE ROVER 1992 onwards  
**Page** BDSXAA2A

**FIRE EXTINGUISHER - GULF STATES ONLY**

Ill. Part No.	Description	Qty	Remarks
1	ANR2948	1	Note(1)
2	SF108161	2	
3	MM106301L	2	

Note(1) Complete with bracket

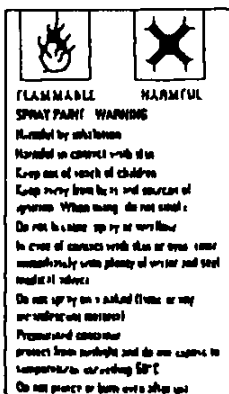
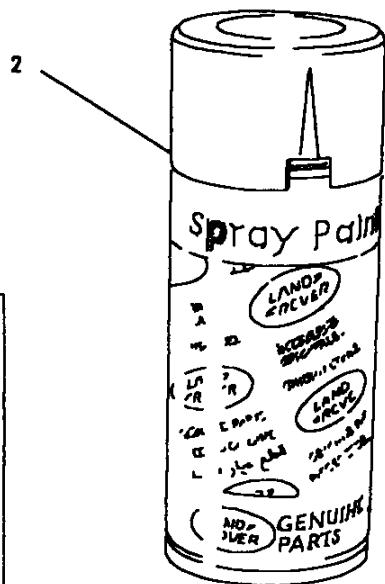
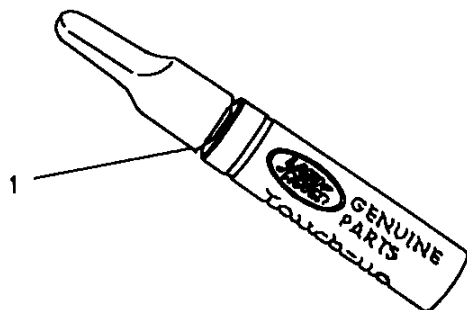


**MASTER INDEX**

	PAGES
INTRODUCTION PAGES	1 - 3
ALPHABETICAL INDEX	4 - 9
ENGINE	10 - 50
ENGINE	51 - 88
ENGINE	89 - 133
ENGINE	134 - 172
GEARBOX	173 - 194
GEARBOX	195 - 211
GEARBOX	212 - 238
TRANSFER BOX	239 - 252
AXLES AND SUSPENSION	253 - 313
STEERING	314 - 332
VEHICLE AND ENGINE CONTROLS	333 - 343
BRAKES	344 - 374
FUEL SYSTEM AND AIR CLEANER	375 - 401
EXHAUST SYSTEM	402 - 409
COOLING/HEATING	410 - 456
BODY ELECTRICAL	457 - 574
BODY AND CHASSIS	575 - 681
INTERIOR TRIM	682 - 772
SEATS	773 - 843
SEATS	844 - 862
STOWAGE	863 - 865
ACCESSORIES - PAINTS	866 - 893
NUMERICAL INDEX	895 - 958

**GROUP T**
**ACCESSORIES - PAINTS**

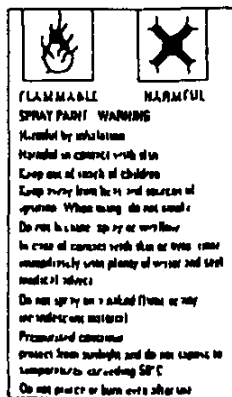
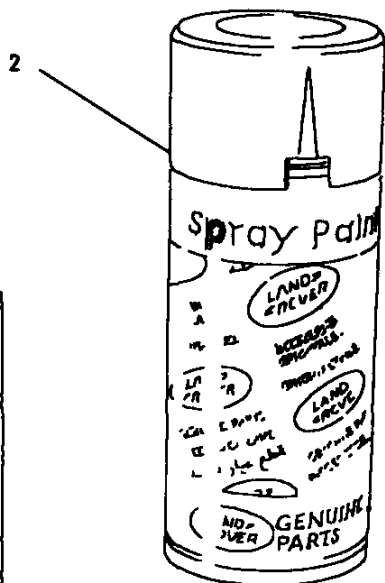
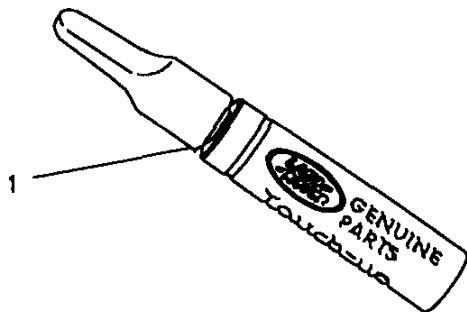
<b>ACCESSORIES - PAINTS</b>	<b>867</b>
PAINT - TOUCH UP PENCILS.	868
PAINT - AEROSOLS.	869
TOWING UP TO KA647644	370
TOWING FROM MA647644	871
TOWING ELECTRICS	872
NUDGE BARS- NOT AIR BAG COMPATABLE	873
NUDGE BARS AIR BAG COMPATABLE	874
NUDGE BARS- NOT AIR BAG COMPATABLE	875
LAMP GUARDS.	876
WINCH- NOT AIR BAG COMPATABLE	877
LUBRICANTS	878
CAR CARE	879
LOADSPACE PROTECTOR	880
DOG GUARDS.	881
CARPETS & MATS	882
CHILD SEAT	883
ALARM SYSTEMS.	884
SAFETY EQUIPMENT.	885
SEAT COVERS.	886
SECURITY BOX	887
REFRIGERATOR.	888
FOG & DRIVING LAMPS--> 1995MY	889
FOG & DRIVING LAMPS 1995MY -->	890
ROOF RACK.	891
WHEELS	892
ROOF BARS & ROOF EQUIPMENT.	893
SIDE STEP	



**Model** RANGE ROVER 1992 onwards  
**Page** BDTXAA1A

**MISCELLANEOUS - PAINT - TOUCH UP PENCILS.**

III. Part No.	Description	Qty	Remarks
<b>Solid</b>			
1	Portofino Red	A/R	LRC390
	Eastnor Green	A/R	LRC419
	Arles Blue	A/R	LRC424
	Pembroke Grey	A/R	LRC476
	Alpine White	A/R	LRC456
	Arran beige	A/R	LRC433
	Beluga Black	A/R	LRC416
	Brookland green	A/R	LRC416
	Conniston green	A/R	LRC570
	Slate grey	A/R	LRC348
<b>Metallic</b>			
	Aspen Silver	A/R	LRC458
	Roman Bronze	A/R	LRC479
	British racing green	A/R	LRC617
	Niagara	A/R	LRC574
<b>Micatallic</b>			
	Clearwater blue	A/R	LRC421
	Cairngorm Brown	A/R	LRC408
	Trocadero Red	A/R	LRC467
	Plymouth Blue	A/R	LRC434
	Ardennes Green	A/R	LRC413
	Aegean blue	A/R	LRC490
	Brooklands green	A/R	LRC569
	Sonoran brown	A/R	LRC508
	Mosswood	A/R	LRC987
	Carmen pearl	A/R	LRC843
	Montpellier	A/R	LRC536
	Caprice	A/R	LRC533



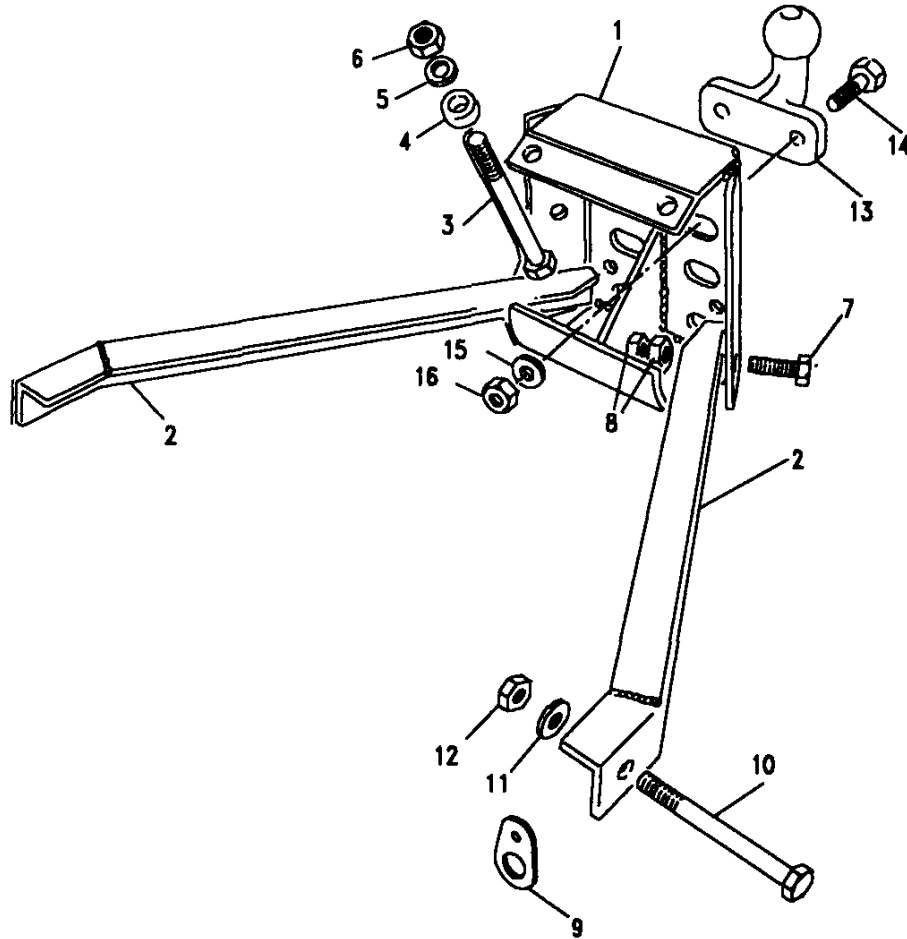
**Model** RANGE ROVER 1992 onwards  
**Page** BDTXAA1A

**MISCELLANEOUS - PAINT - AEROSOLS.**

III. Part No.	Description	Qty	Remarks
<b>Sold</b>			
2 RTC5728A	Portofino Red	A/R	LRC390
RTC5981A	Eastnor Green	A/R	LRC419
RTC6401A	Arles Blue	A/R	LRC424
RTC6869A	Pembroke Grey	A/R	LRC476
RTC6870A	Alpine white	A/R	LRC456
RTC5980A	Arran beige	A/R	LRC433
RTC5979A	Beluga Black	A/R	LRC416
STC784A	Brooklands green	A/R	LRC334
STC1352A	Conniston green	A/R	LRC570
STC1450A	Slate grey	A/R	LRC348
<b>Metallic</b>			
RTC6810A	Aspen Silver	A/R	LRC458
STC9A	Roman Bronze	A/R	LRC479
STC1351A	British racing green	A/R	LRC617
STC1449A	Niagara	A/R	LRC574
<b>Micatallic</b>			
RTC6402A	Clearwater blue	A/R	LRC421
RTC5982A	Cairngorm Brown	A/R	LRC408
RTC5983A	Trocadero Red	A/R	LRC467
RTC6415A	Plymouth Blue	A/R	LRC434
RTC6634A	Ardennes Green	A/R	LRC413
STC301A	Aegean blue	A/R	LRC490
STC1352A	Brooklands green	A/R	LRC569
STC1051T	Sonoran brown	A/R	LRC508
STC1046A	Mosswood	A/R	LRC987
STC1350A	Carmen pearl	A/R	LRC843
STC1349A	Montpellier	A/R	LRC536
STC1451A	Caprice	A/R	LRC533

**Model** RANGE ROVER 1992 onwards  
**Page** BDTXCA1A

**MISCELLANEOUS - TOWING UP TO KA647644**



III. Part No.	Description	Qty	Remarks
RTC9499	Kit Towing	1	Note(1)
1 NTC7080PUB	Plate towing	1	
ANR2426	Plate towing	1	Use with body kit
2 NTC7634	Tie bar RH	1	
NTC7635	Tie bar LH	1	
3 BH608321L	Bolt	2	
4 NTC7099PUB	Spacer	2	
5 WM600081L	Washer plain	2	
6 NH608041L	Nut	2	
7 SH608091L	Screw	2	
8 NY606041L	Nut	2	
9 90577509	Ring	2	
10 BH606361L	Bolt	2	
11 WA110061L	Washer plain	2	
12 NY606041L	Nut	2	
13 RTC8891	Ball towing	1	
14 BH610101L	Bolt	2	
15 WA116101L	Washer plain	2	
16 NH610041L	Nut	4	
STC8060	Adjustable tow bar	1	
RTC9581	Pin and R clip	1	
RTC9531	Slider plate	1	
RTC9565	European tow bar kit	1	

Note(1) RTC9499 comprises all items on this page plus electrics gloves,grease & tow ball cover.





RANGE ROVER 1992 onwards

870

ACCESSORIES - PAINTS

**Model** RANGE ROVER 1992 onwards

**Page** BDTXCA2A

**MISCELLANEOUS - TOWING FROM MA647644**

III. Part No.	Description	Qty	Remarks
1 ANR1111	Tow plate adjustable	1	
2 STC1899	Tie bar LH	1	
STC1900	Tie bar RH	1	
3 NTC9980	50mm tow ball	1	
4 STC1903	Bolt	2	
5 STC1904	Lock nut	4	
6 STC1901	Bolt	2	
7 STC1902	Nut	2	
8 BH110261	Bolt	2	
9 WC110061L	Washer	2	
10 ANR3629	Spacer	2	
11 90577509	Recovery ring	1	
12 NV10041L	Nut	2	
13 BH112221L	Bolt	2	
14 WC112081L	Washer	4	
15 NY112041L	Nut	2	



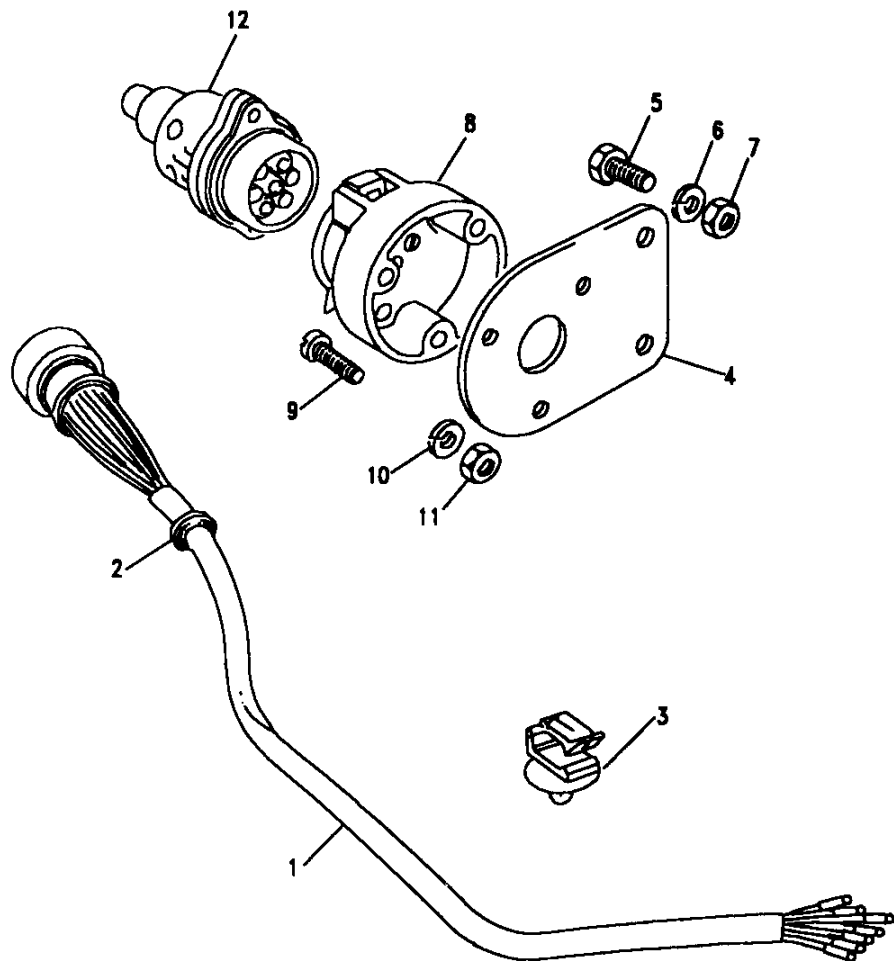
Model RANGE ROVER 1992 onwards

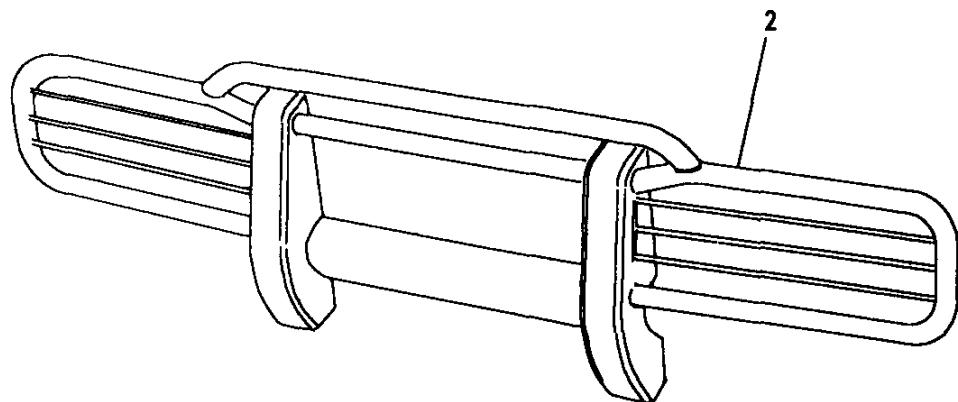
Page BDTXCK1A

ACCESSORIES - TOWING ELECTRICS

III. Part No.	Description	Qty	Remarks
1	PRC8130	1	
2	PRC4540	1	
3	AFU1080L	2	
4	NRC8048	1	
	ANR2426	1	Note(1)
5	SH604061L	2	
6	WM600041L	2	
7	NH604041L	2	
8	579409	1	
9	78756	2	
10	WM702001L	2	
11	HN2005L	2	
12	579408	1	

Note(1) For use on vehicles with body styling kits only



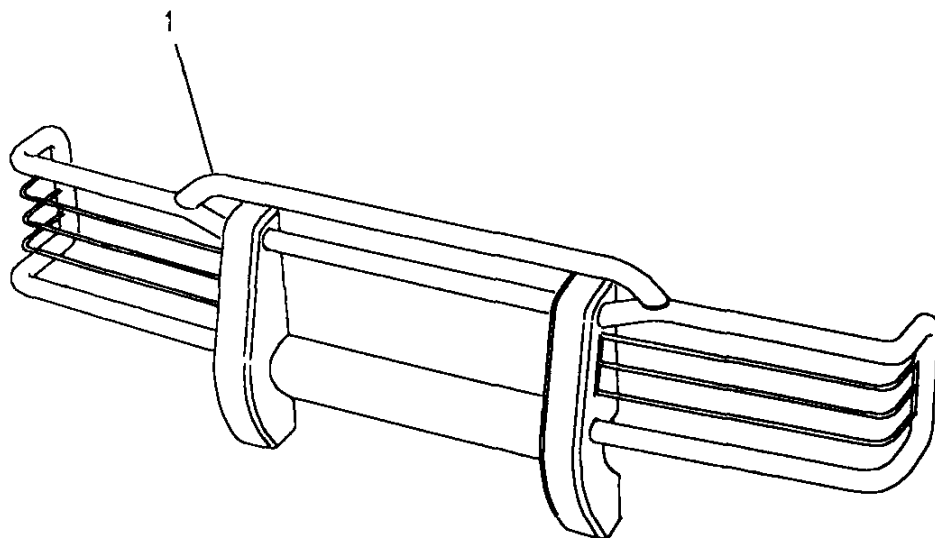


**Model** RANGE ROVER 1992 onwards  
**Page** BDTXIC1A

**ACCESSORIES - NUDGE BARS- NOT AIR BAG COMPATABLE**

III. Part No.	Description	Qty	Remarks
<b>Wrap round with removable lamp guards</b> 1 RTC9582	Nudge bar	1	Note(1&2)
<b>Wrap round with fixed lamp guards</b> RTC8146	Nudge bar	1	Note(1&2)
<b>Wrap round without lamp guards</b> RTC8147	Nudge bar	1	Note(1&2)
<b>Straight with removable lamp guards</b> 2 RTC9548	Nudge bar	1	Note(1&2)
<b>Wrap round polished stainless with removable lamp guards</b> STC8080	Nudge bar	1	Note(1&2)
STC8073	Kit service protective	1	Note(3)

- Note(1) All bars compatible with Husky& X6 winches.
- Note(2) All bars drilled to accept auxillary lamps, however RTC9548 & RTC9582 WILL NOT take Rally 2000 lamps.
- Note(3) Protective strips for RTC9548 & RTC9582.
- Note(4) Queries relating to fitting, alternative applications and service levels should be directed to Accessories Department at Land Rover





**Model** RANGE ROVER 1992 onwards

**Page** BDTXIC0A

**ACCESSORIES - NUDGE BARS AIR BAG COMPATABLE**

**III. Part No. Description Qty Remarks**

**Wrap round with removable lamp guards**

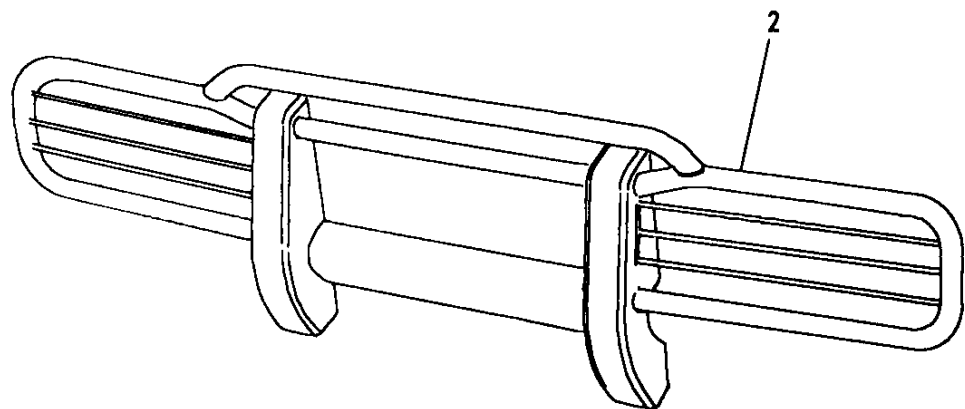
STC8470	Nudge bar	1	
STC8471	Nudge bar	1	Stainless

**Straight with removable lamp guards**

STC8472	Nudge bar	1	
---------	-----------	---	--

Note(1) Queries relating to fitting, alternative applications and service levels should be directed to Accessories Department at Land Rover

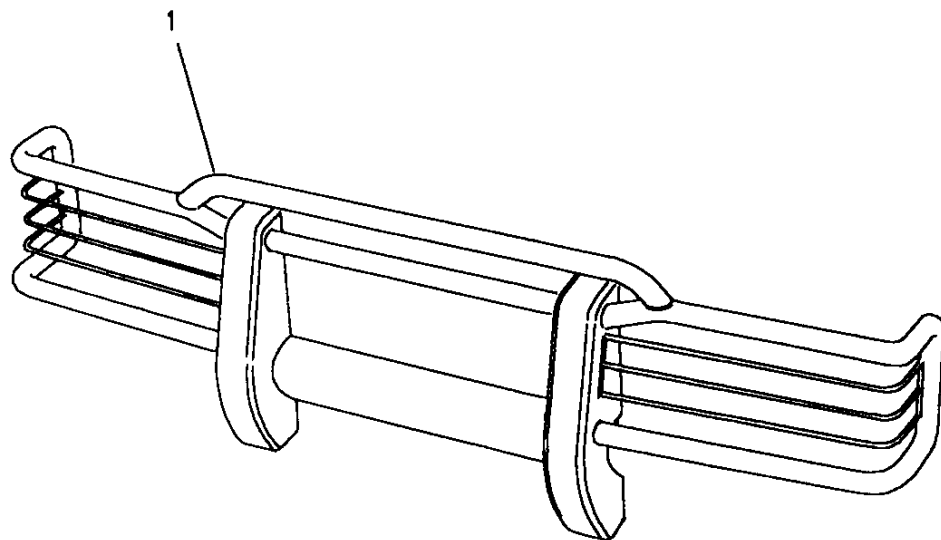




**Model** RANGE ROVER 1992 onwards  
**Page** BDTXIC1A

**ACCESSORIES - NUDGE BARS- NOT AIR BAG COMPATABLE**

III. Part No.	Description	Qty	Remarks
1 RTC9582	Wrap round with removable lamp guards Nudge bar	1	Note(1&2)

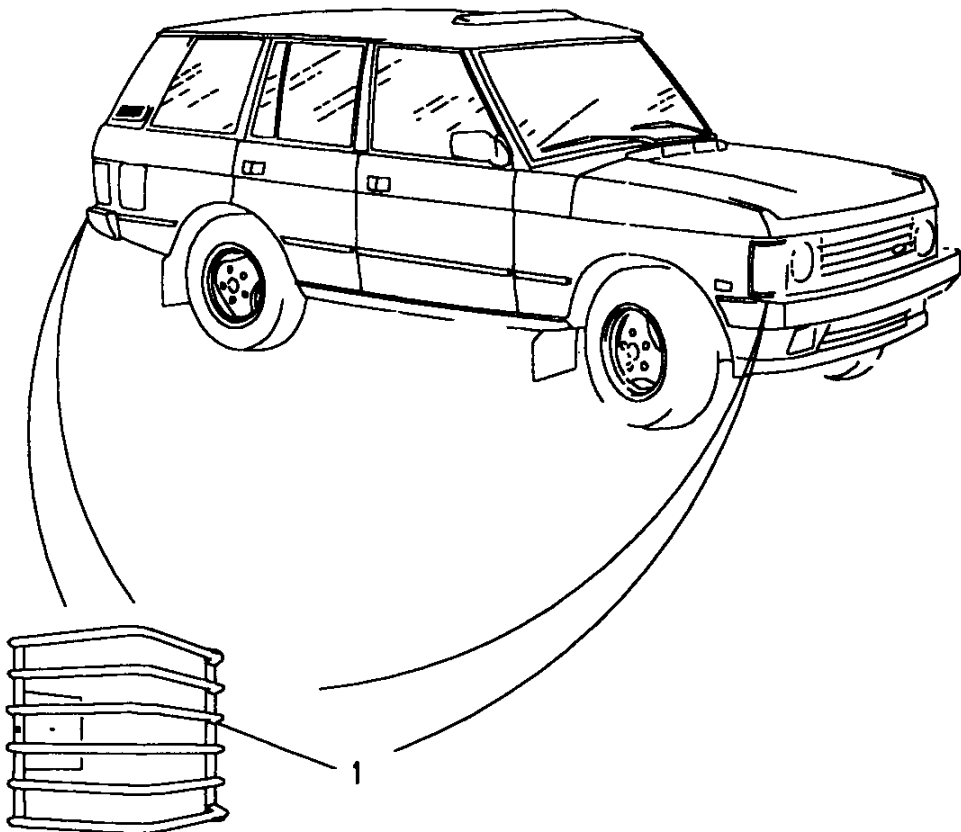


**Model** RANGE ROVER 1992 onwards  
**Page** BDTXIC2A

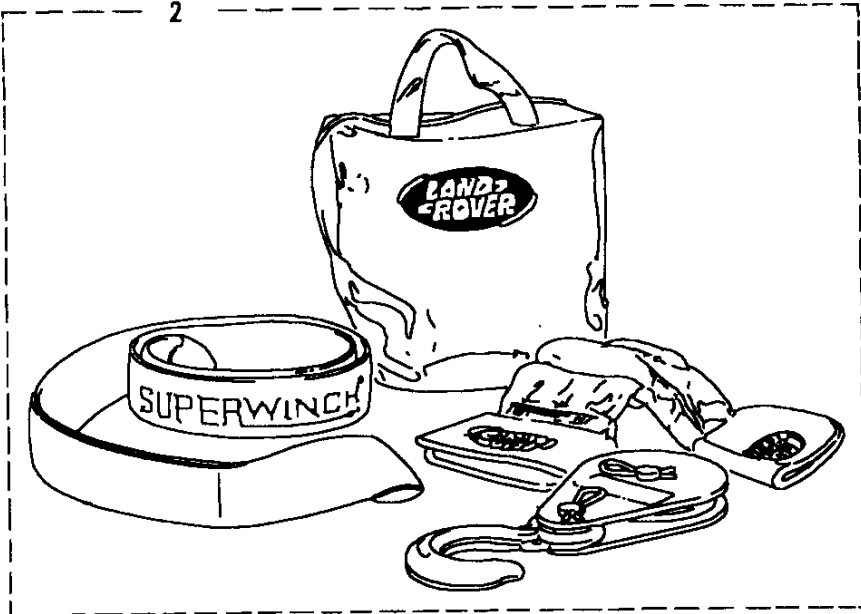
**ACCESSORIES. - LAMP GUARDS.**

III. Part No.	Description	Qty	Remarks
1 STC8026	Lampguards front pair	1	
STC8027	Lampguards rear pair	1	
STC8102	Service kit, fixings	1	

Note(1) Queries relating to fitting, alternative applications and service levels should be directed to Accessories Department at Land Rover Parts



2



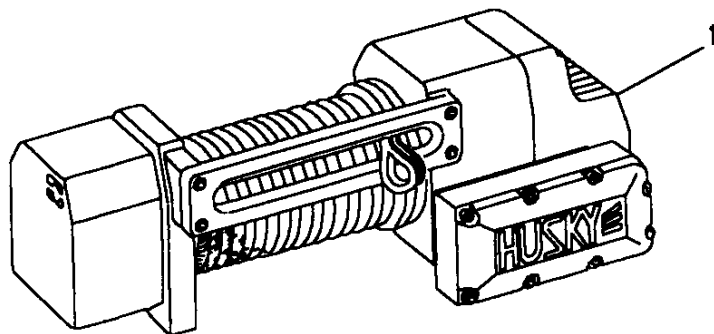
**Model** RANGE ROVER 1992 onwards  
**Page** BDTXKA1A

**ACCESSORIES - WINCH- NOT AIR BAG COMPATABLE**

III. Part No.	Description	Qty	Remarks
1 RTC9587	Winch electric	1	X6 Note(1)
2 RTC9520	Kit winch accessories	1	
STC8123	Roller fairlead	1	Husky
STC8111	Winch cable	1	Husky & X6
STC8110	Remote control	1	Husky & X6

Note(1) Leisure winch, compatible with all Range Rovers - Compatible ALL nudge bars.

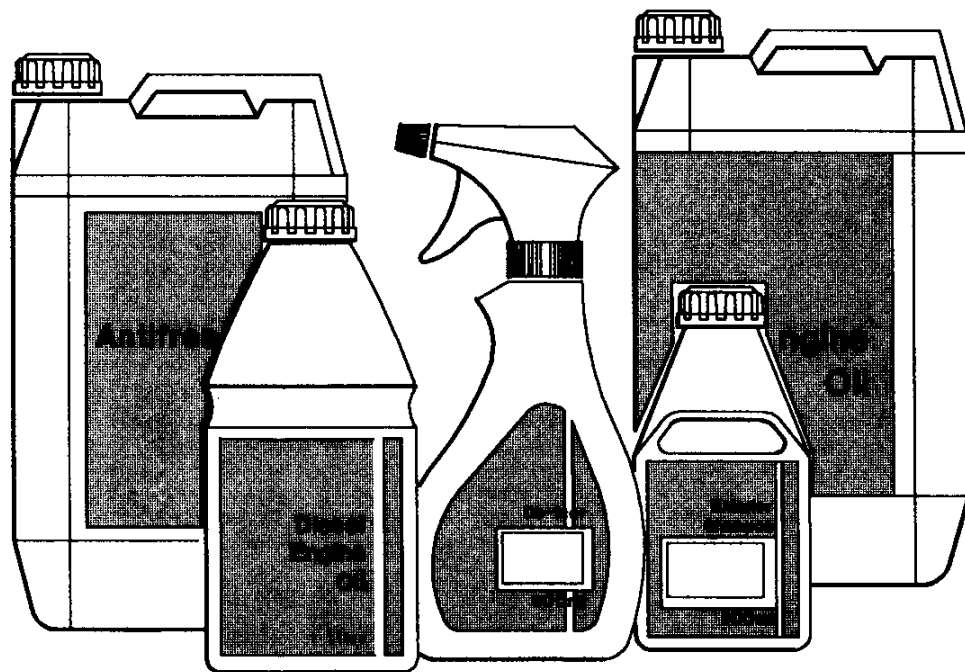
Note(2) Queries relating to fitting, alternative applications and service levels should be directed to Accessories Department at Land Rover



4.0212

**Model** RANGE ROVER 1992 onwards  
**Page** BDTXLG1A

**MISCELLANEOUS - LUBRICANTS**



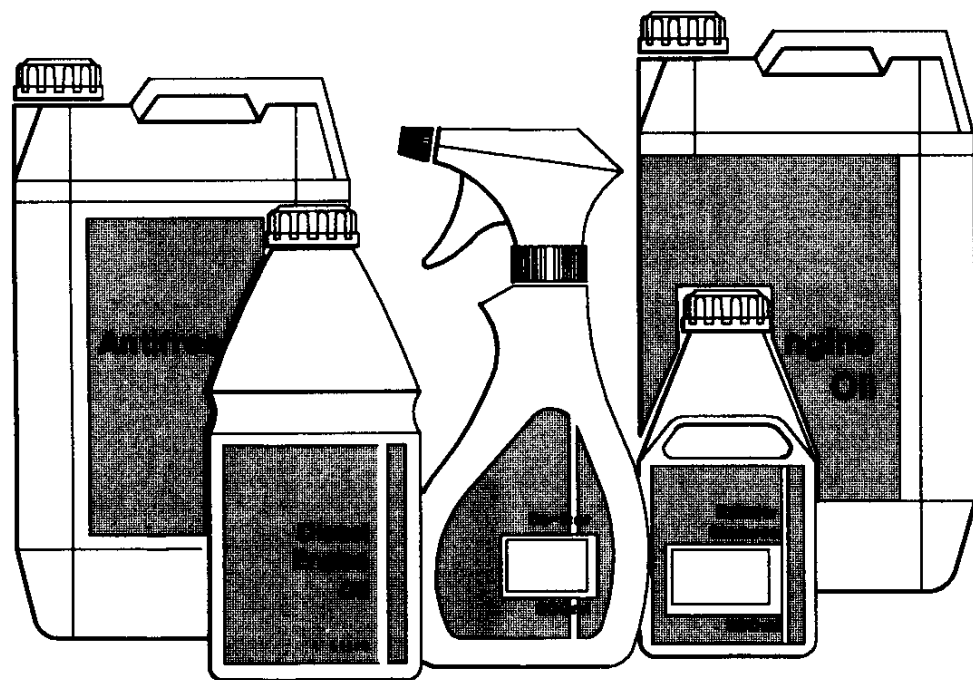
III. Part No.	Description	Qty	Remarks
<b>Lubricants - U.K. only</b>			
STC8257	Oil engine shpd 1 litre	A/R	SHPD
STC8256	Oil engine shpd 5 litres	A/R	SHPD
STC8255	Oil engine 1 litre	A/R	15W40
STC8254	Oil engine 5 litres	A/R	15W40
STC8263	Fluid auto trans	A/R	TYPE G
STC8261	Fluid auto trans	A/R	DEXTRON II
STC8259	Oil gear	A/R	EP90
<b>Brake fluid - U.K. only</b>			
STC8292	Brake fluid	A/R	
<b>Anti freeze</b>			
RTC5782A	Anti-freeze 205 ltr	A/R	
RTC5781A	Anti-freeze 5 ltr	A/R	
RTC5779A	Anti-freeze 1 ltr	A/R	
<b>Product guide</b>			
STC8352	Product guide	A/R	

Note(1) Not available in all territories  
 Note(2) For application details see product guide STC8352



**Model** RANGE ROVER 1992 onwards  
**Page** BDTXLG1A

**MISCELLANEOUS - CAR CARE**

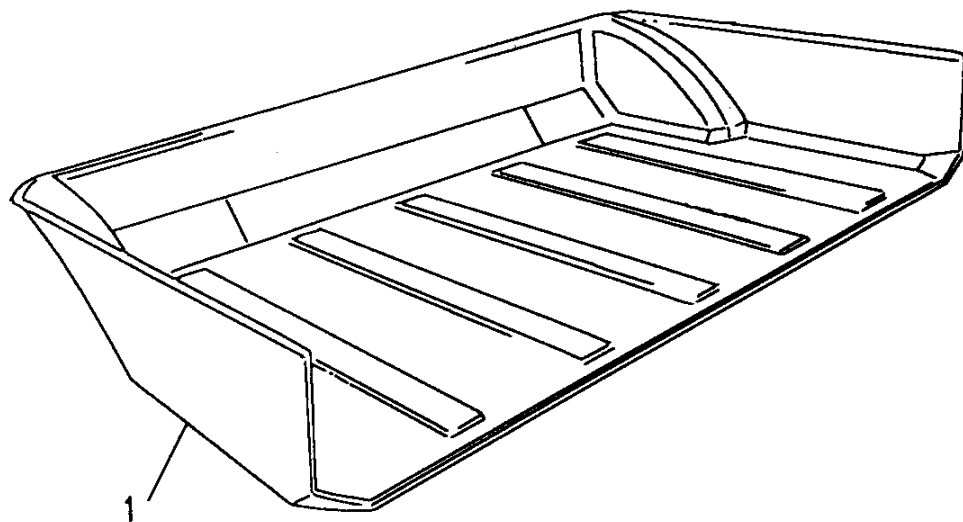


III. Part No.	Description	Qty Remarks
STC8249	Screenwash	A/R 1 bottle
STC723	Polish wax	A/R 500ml bottle
STC722	Shampoo	A/R 500ml bottle
STC721	Black bumper cleaner	A/R 500ml bottle
STC719	Glass cleaner	A/R 500ml trigger
STC718	Alloy wheel cleaner	A/R 500ml trigger
STC717	De icer	A/R 500ml trigger

Note(1) Not available in all territories.

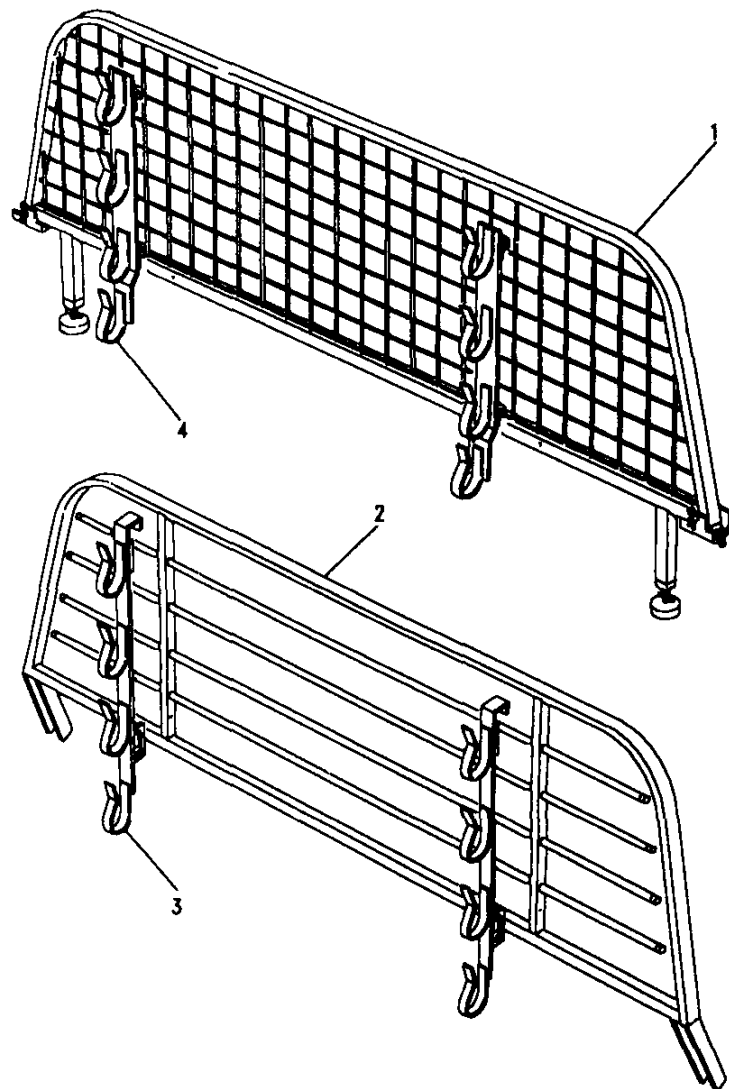
**Model** RANGE ROVER 1992 onwards  
**Page** BDTXMA1A

**ACCESSORIES - LOADSPACE PROTECTOR**



III. Part No.	Description	Qty	Remarks
<b>Rigid type - half length</b>			
1 RTC9596	Protector loadspace	1	Note(1)
STC8131	Protector loadspace	1	Note(1 & 4)
<b>Rigid type - Full length</b>			
1 RTC9598	Protector loadspace	1	Note(2 & 5)
RTC8857	Protector loadspace	1	Note(5)
<b>Rigid type - Full length</b>			
STC8132	Tailgate protector	1	From 10/86
STC8109	Anti slip mat	1	
<b>Stowable</b>			
STC8028	Protector loadspace	1	Note(3)
STC8135	Protector loadspace	1	Note(3 & 6)

Note(1) Includes non slip mat.  
 Note(2) Bokhara - suitable for vehicles from 3/84 to 10/92  
 Note(3) Revised design, including positive fixings.  
 Note(4) Half length from Oct 92  
 Note(5) Full length to Feb 84  
 Note(6) From Oct 92 onwards  
 Note(7) Queries relating to fitting, alternative applications and service levels should be directed to Accessories Department at Land Rover

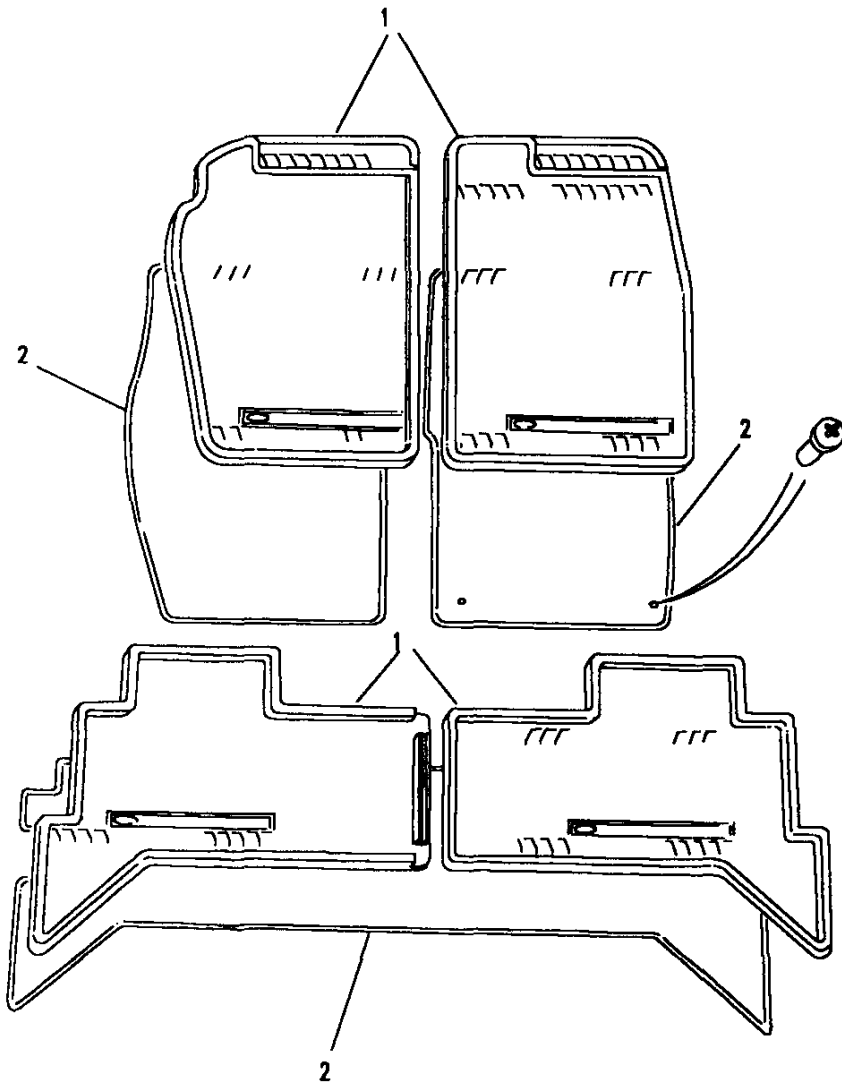


**Model** RANGE ROVER 1992 onwards  
**Page** BDTXMA2A

**ACCESSORIES - DOG GUARDS.**

III. Part No.	Description	Qty	Remarks
<b>Black mesh type</b>			
1	RTC8092 STC8105	Guard dog Kit service fixings	1 1
<b>Grey bar type</b>			
2	RTC8093 STC8127	Guard dog Kit service fixings	1 1
<b>Hinged design</b>			
	STC8161	Guard dog	1 From Oct 92
<b>For use with black mesh type</b>			
3	RTC8951	Stowage clips	1
<b>For use with grey bar type</b>			
4	RTC8094	Stowage clips	1
<b>Used up to Sept 92</b>			
	RTC8032	Riding tack rack	1 Note(1)

Note(1) Can only be fitted to vehicles with assymetric split seats.  
 Note(2) Queries relating to fitting, alternative applications and service levels should be directed to Accessories Department at Land Rover



**Model** RANGE ROVER 1992 onwards  
**Page** BDTXMA3A

**ACCESSORIES - CARPETS & MATS**

III. Part No.	Description	Qty	Remarks
<b>Rubber mats</b>			
1 STC8053	Mats floor set	1	4 Door
STC8054	Mats floor set	1	2 Door
STC8134	Mats floor set	1	LSE
<b>Carpet mats - Grey</b>			
2 STC8061AA	Carpet set	1	LHS
STC8062AA	Carpet set	1	RHS
STC8496	Carpet set	1	LSE Note(2)
<b>Carpet mats - Beige</b>			
STC8063AB	Carpet set	1	LHS
STC8064AB	Carpet set	1	RHS
STC8469	Carpet mat	1	LSE Note(2)
<b>Carpet mats - Saddle</b>			
STC8152	Carpet set	1	LSE Note(3)
<b>Carpet mats - Dark sable</b>			
STC8441	Carpet set	1	Note(3)
STC8442	Carpet set	1	LSE Note(3)
<b>Carpet mats - Dark sable</b>			
STC8815	Carpet set	1	Note(3)
STC8475	Carpet set	1	LSE Note(3)

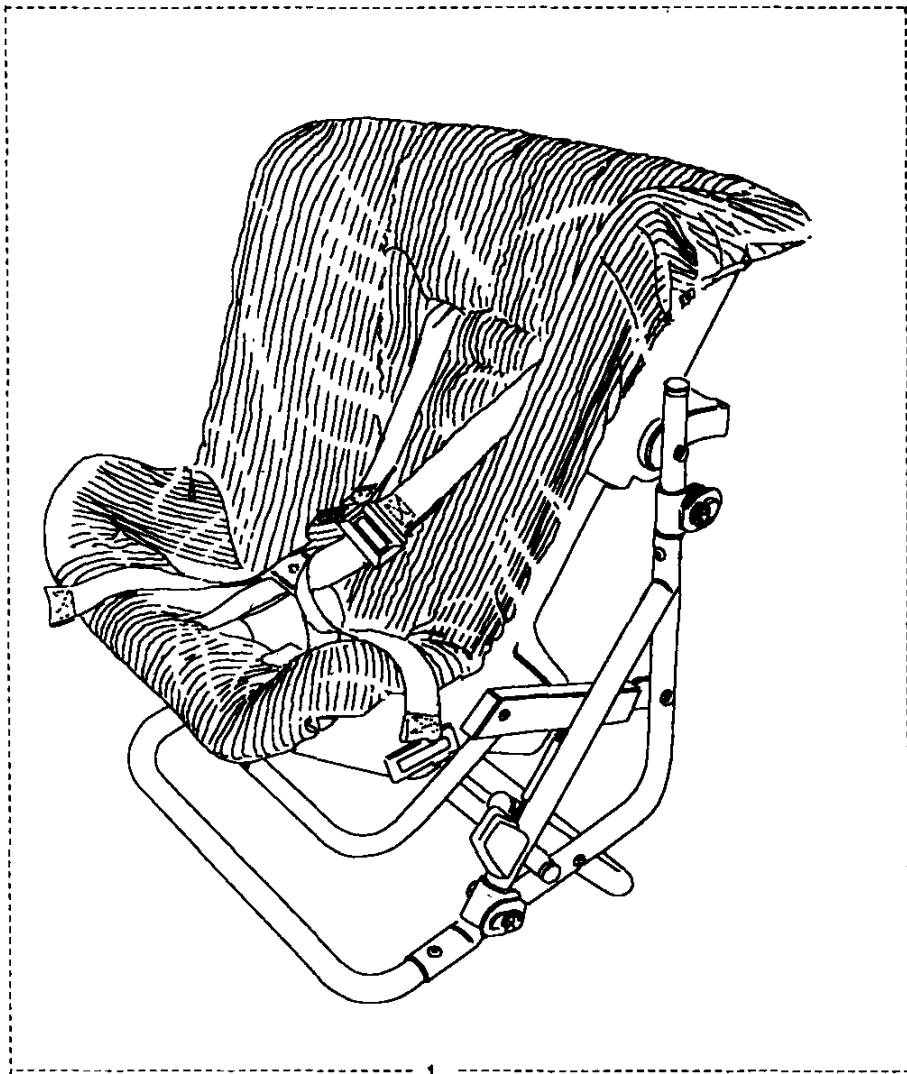
Note(1) Suitable for ALL vehicles including A.B.S. models.  
 Note(2) Suits both LHS & RHS  
 Note(3) Queries relating to fitting, alternative applications and service levels should be directed to Accessories Department at Land Rover

**Model** RANGE ROVER 1992 onwards  
**Page** BDTXMA4A

**ACCESSORIES - CHILD SEAT**

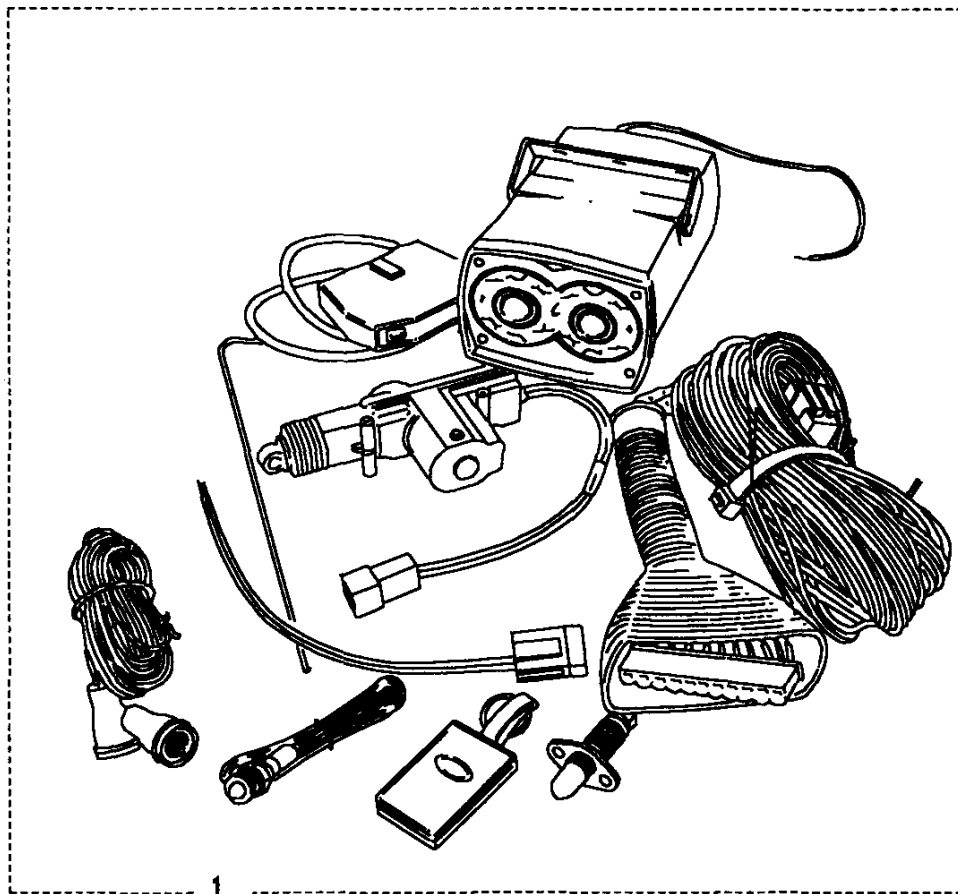
<b>Ill. Part No.</b>	<b>Description</b>	<b>Qty</b>	<b>Remarks</b>
1 RTC9534AB	Seat child	1	

**Note(1)** Queries relating to fitting, alternative applications and service levels should be directed to Accessories Department at Land Rover



**Model** RANGE ROVER 1992 onwards  
**Page** BDTXMA5A

**ACCESSORIES - ALARM SYSTEMS.**



III. Part No.	Description	Qty	Remarks
1 STC8094	Alarm system	1	Note(1&2)
STC8095	Alarm system	1	Note(1&2)
<b>Remote unit type A &amp; B.</b>			
STC8002	Remote unit	1	
<b>Remote unit type C.</b>			
STC8003	Remote unit	1	
<b>Remote unit type K.</b>			
STC8004	Remote unit	1	

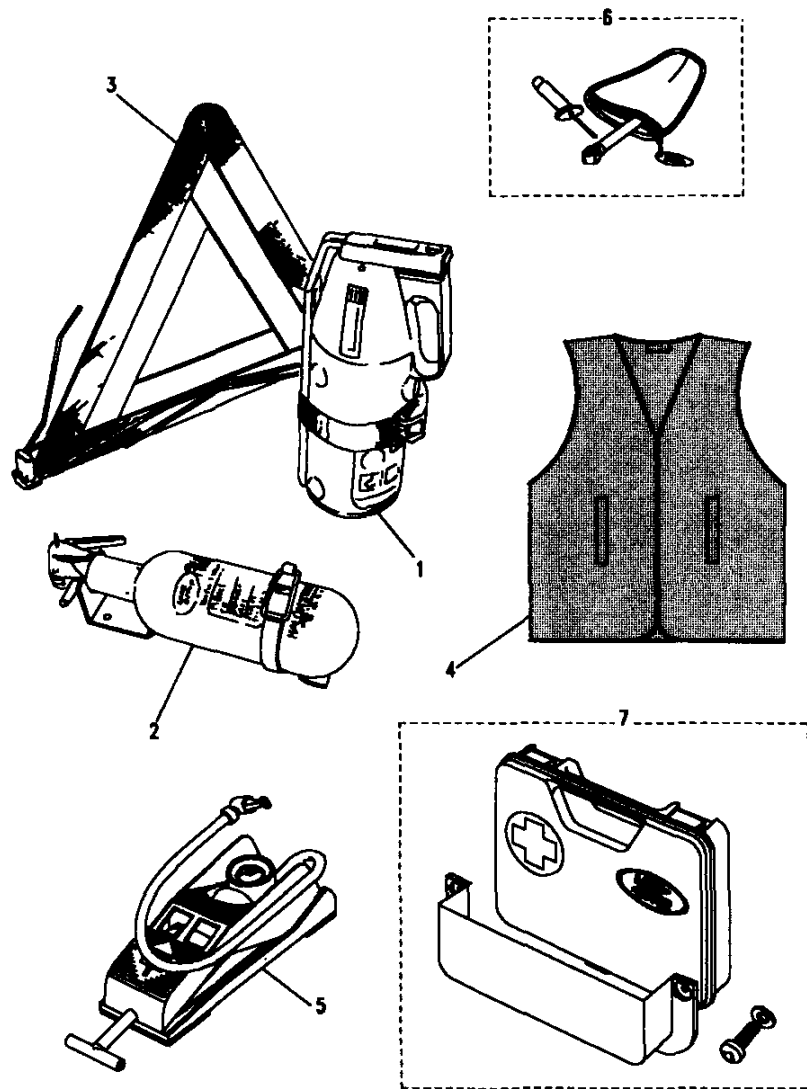
Note(1) TRAINED DEALER FIT ONLY.  
 Note(2) Fitting instructions not supplied with alarm system.  
 Note(3) Queries relating to fitting, alternative applications and service levels should be directed to Accessories Department at Land Rover

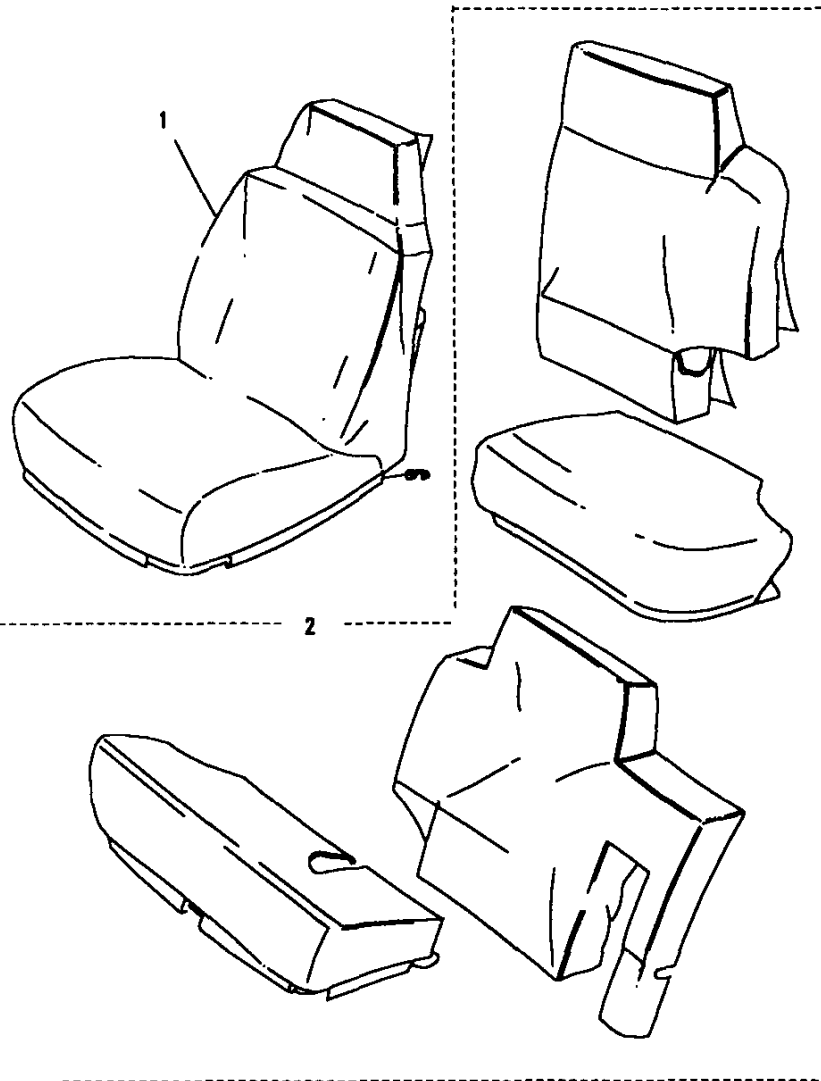
**Model** RANGE ROVER 1992 onwards  
**Page** BDTXMA6A

**ACCESSORIES - SAFETY EQUIPMENT.**

III. Part No.	Description	Qty	Remarks
1 STC8138	Extinguisher fire	1	2 Kilo
2 STC8137	Extinguisher fire	1	1 kilo
3 RTC8937	Triangle warning	1	
4 STC8248	Safety vest	1	
5 STC8243	Footpump	1	
6 STC724	Tyre kit	1	Note(1)
7 STC8246AA	Kit first aid	1	

Note(1) Tyre kit contains pressure guage & tread depth guage.  
 Note(2) Queries relating to fitting, alternative applications and service levels should be directed to Accessories Department at Land Rover





**Model** RANGE ROVER 1992 onwards  
**Page** BDTXMA7A

**ACCESSORIES - SEAT COVERS.**

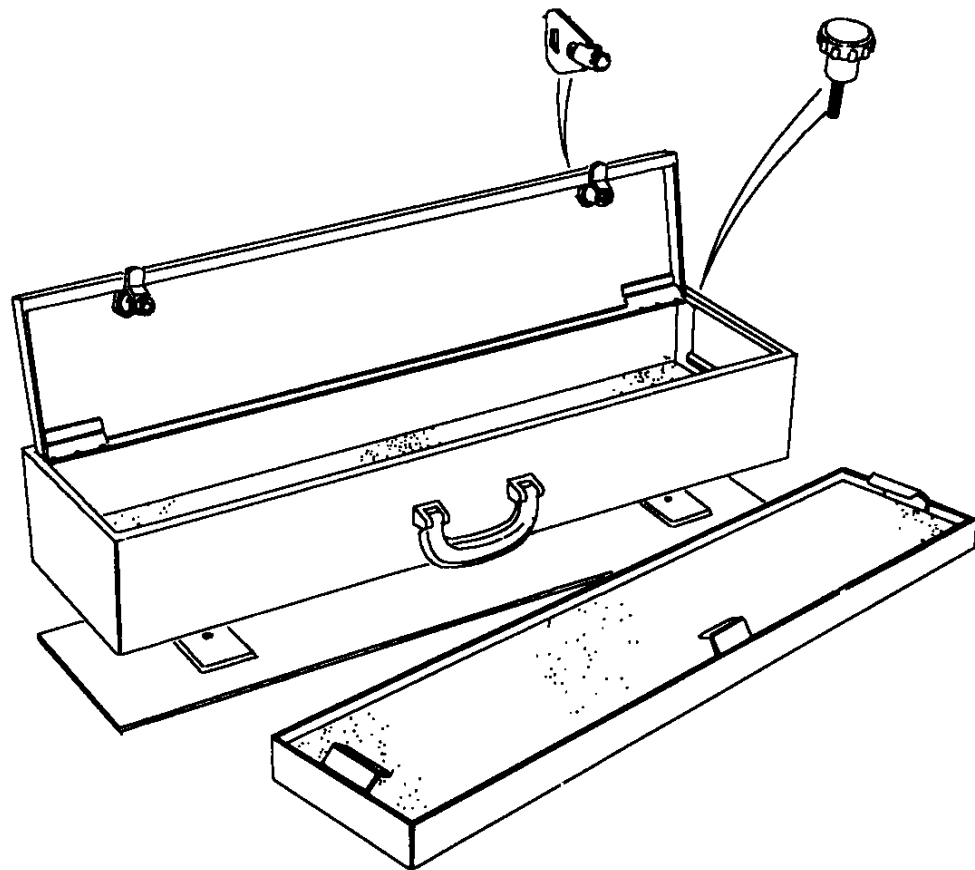
Ill. Part No.	Description	Qty	Remarks
<b>Full set - Standard</b> STC8197	Cover seat waterproof	1	
<b>Full set - non SE</b> STC8191 STC8196	Cover seat waterproof Cover seat waterproof	1 1	
<b>Full set - SE</b> STC8193	Cover seat waterproof	1	
<b>Front seat</b> 1 STC8190 STC8195	Cover seat waterproof Cover seat waterproof	1 1	
<b>Rear seat</b> 2 STC8194 STC8199	Cover seat waterproof Cover seat waterproof	1 1	

Note(1) Queries relating to fitting, alternative applications and service levels should be directed to Accessories Department at Land Rover



**Model** RANGE ROVER 1992 onwards  
**Page** BDTXMA8A

**ACCESSORIES - SECURITY BOX**



III. Part No.	Description	Qty	Remarks
1 STC8018L	Box security	1	Note(1)
2 STC8124	Kit fixing box security	1	

Note(1) maximum internal sizes. Tray 850mm long X 165mm wide Box 870mm long X 190mm wide.

Note(2) For replacement keys please contact Accessory Department at Land Rover Parts

Note(3) Queries relating to fitting, alternative applications and service levels should be directed to Accessories Department at Land Rover

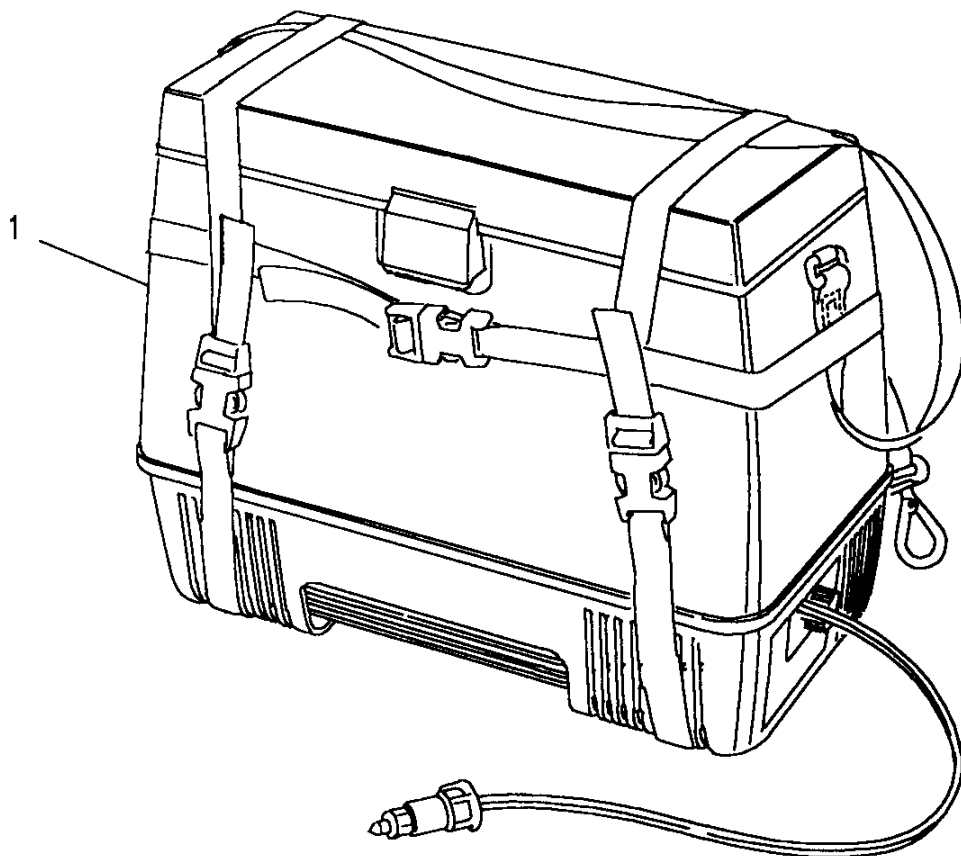
TS 6884.

**Model** RANGE ROVER 1992 onwards  
**Page** BDTXMA9A

**ACCESSORIES - REFRIGERATOR.**

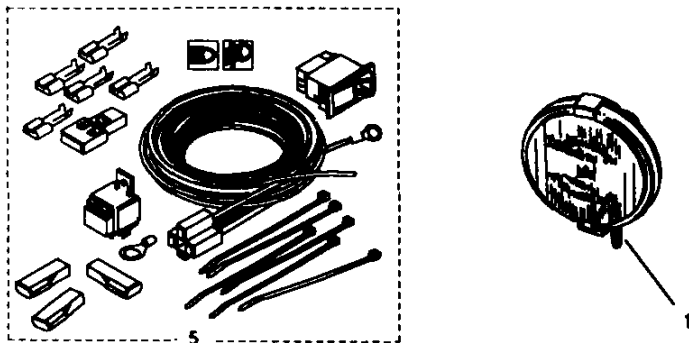
III. Part No.	Description	Qty	Remarks
1 RTC9585	Refrigerator	1	Note(1)
STC8427	Wiring kit	1	

Note(1) Full wiring kit and operating instructions included.  
 Note(2) Queries relating to fitting, alternative applications and service levels should be directed to Accessories Department at Land Rover

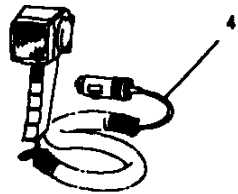
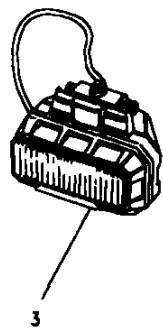
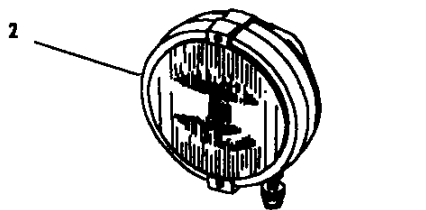


**Model** RANGE ROVER 1992 onwards  
**Page** BDTXPA2B

**ACCESSORIES - FOG & DRIVING LAMPS--> 1995MY**



III. Part No.	Description	Qty	Remarks
<b>Rally 1000.</b>			
1	RTC9521	1	)
	RTC9522	1	)Note(1)
	STC8107	1	)Note(1)
<b>Rally 2000.</b>			
2	RTC8913G	1	Note(1)
	RTC8914G	1	Note(3)
	STC8052	2	
	STC8106	1	
<b>CEWE.</b>			
3	RTC9523	1	Rectangular)
	RTC9524	1	Rectangular)Note(2)
4	RTC9527	1	
5	RTC9586AA	1	Kit auxiliary wiring
	RTC9498	1	Type H2
	606178	1	Type H3
	STC8108	1	Replacement lens Fog
	STC8425	1	Replacement lens driving



Note(1) Lamps sold singly needs wiring,switch & relay kit RTC9586.  
 Note(2) Lamps sold in pairs with wiring, switch & relay. e  
 Note(3) Will not fit Nudge bar RTC9548 & RTC9582.  
 Note(4) Queries relating to fitting, alternative applications and service levels should be directed to Accessories Department at Land Rover



RANGE ROVER 1992 onwards

889

ACCESSORIES - PAINTS

**Model** RANGE ROVER 1992 onwards  
**Page** BDTXPA0B

**ACCESSORIES - FOG & DRIVING LAMPS 1995MY -->**

<b>III. Part No.</b>	<b>Description</b>	<b>Qty</b>	<b>Remarks</b>
STC8480	Driving lamp - round	1	
STC8811	Replacement lens Driving	1	
STC8481	Fog lamp - round	1	
STC8812	Replacement lens fog	1	
STC8813	Lamp wiring kit	1	
STC8814	Lamp steady bars	2	

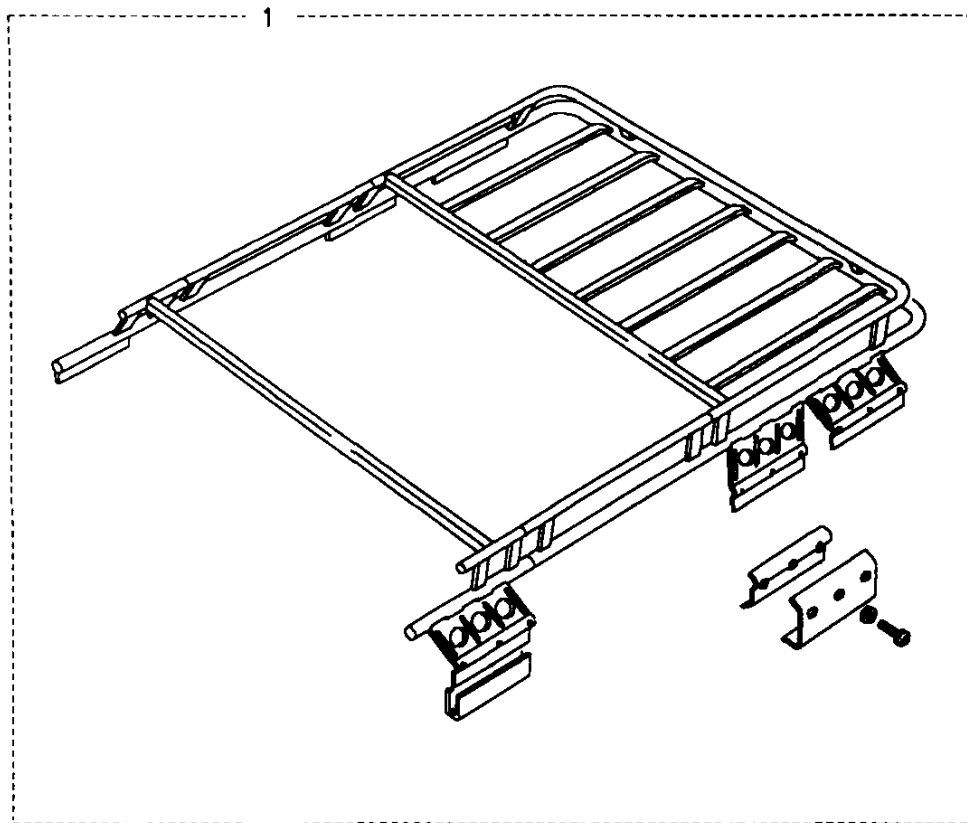


**Model** RANGE ROVER 1992 onwards  
**Page** BDTXPA3A

**ACCESSORIES - ROOF RACK.**

III. Part No.	Description	Qty	Remarks
1 RTC9594	Roof rack	1	

Note(1) Queries relating to fitting, alternative applications and service levels should be directed to Accessories Department at Land Rover

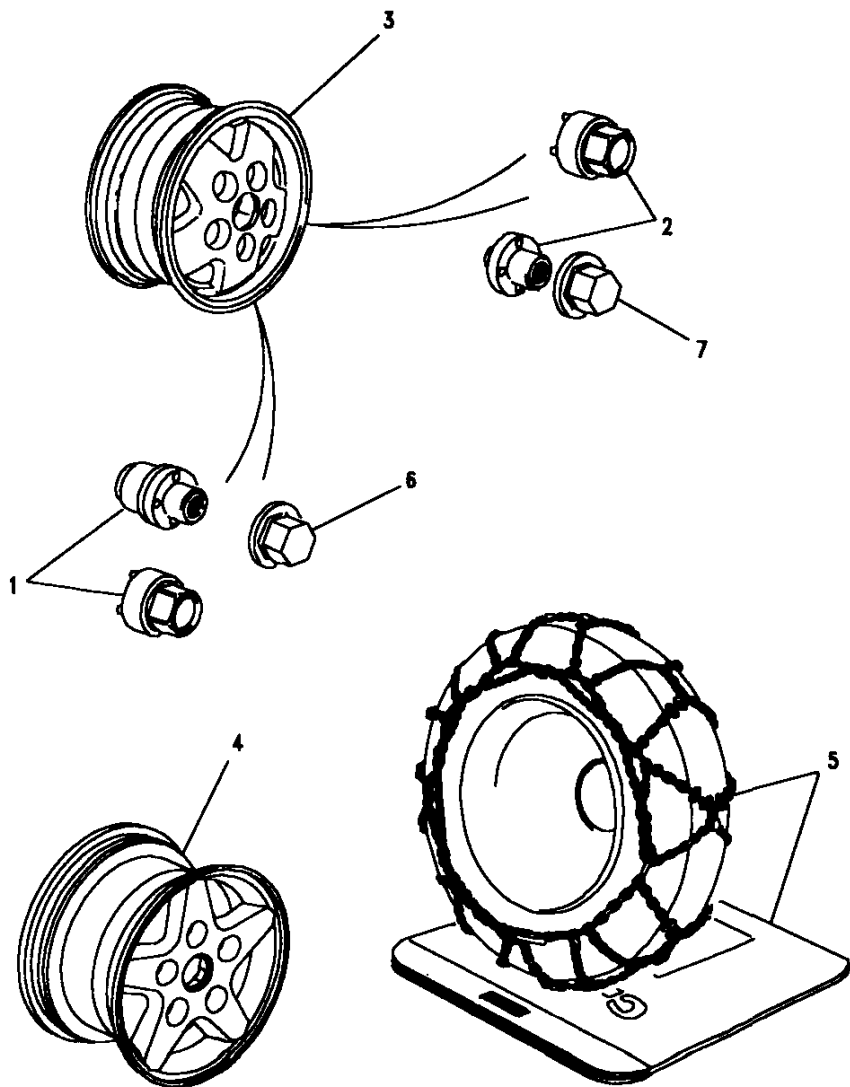


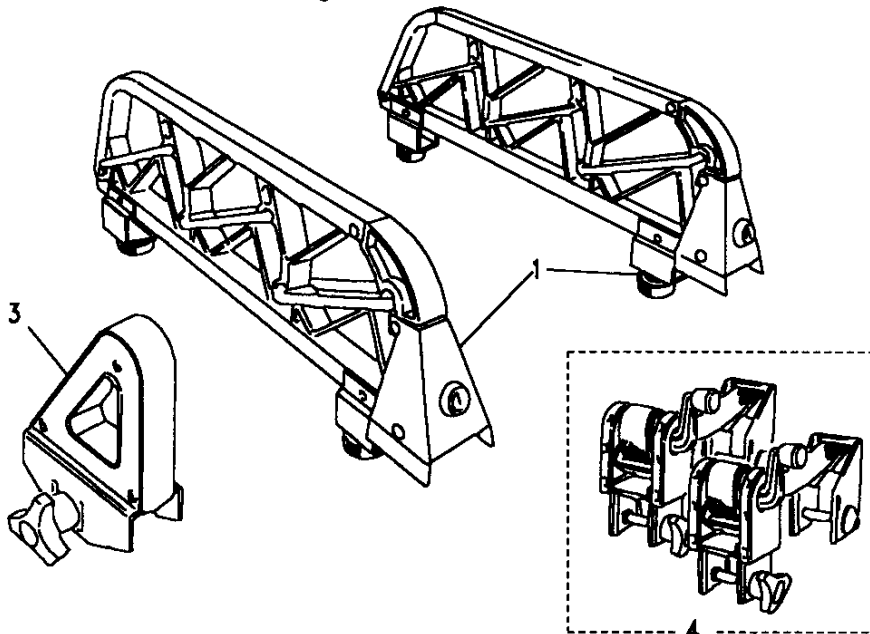
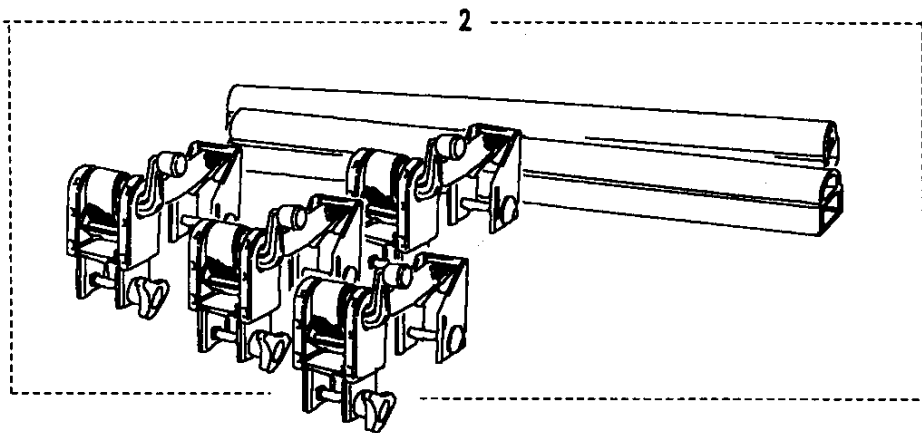
**Model** RANGE ROVER 1992 onwards  
**Page** BDTXPA3B

**ACCESSORIES - WHEELS**

III. Part No.	Description	Qty	Remarks
1 STC8440	Kit nut wheel locking	1	Alloy Wheels
2 RTC9535	Kit nut wheel locking	1	Steel Wheels
3 RTC9526	Road wheel alloy	5	Note(2)
RTC9526POL	Road wheel alloy	5	Polished
4 STC8126	Road wheel Alloy	5	5 Spoke.
5 RTC9589	Kit snow chain	1	
6 STC8112	Covers wheel nut	A/R	
7 STC8113	Covers wheel nut	A/R	

Note(1) Applicable to steel & alloy wheels.  
 Note(2) Requires wheel nut kit RTC9563. Knave centre now supplied with wheel  
 Note(3) Queries relating to fitting, alternative applications and service levels should be directed to Accessories Department at Land Rover





**Model** RANGE ROVER 1992 onwards  
**Page** BDTXPA4A

**ACCESSORIES - ROOF BARS & ROOF EQUIPMENT.**

III. Part No.	Description	Qty	Remarks
1 STC8434	Carrier ski	1	Note(1)
2 STC8435	Carrier sailboard	1	
3 RTC9477	Load stop adjustable	1	Note(2)
4 RTC9478	Strap	1	Note(3)
RTC9475	Sports roof bars	1	
STC8435	Saidboard carrier	1	
RTC9543	Combi box	1	
RTC9476	Luggage carrier	1	
STC8163	Bicycle carrier	1	Note(4)
STC8153	Lighting board	1	

- Note(1) Takes up to 6 pairs of skis.
- Note(2) Set of four supplied.
- Note(3) Useful load retention device. Length 2.0m.
- Note(4) Vehicle cannot tow caravan or trailer with this fitted
- Note(5) FOR ROOF RACK SEE page 890
- Note(6) Queries relating to fitting, alternative applications and service levels should be directed to Accessories Department at Land Rover

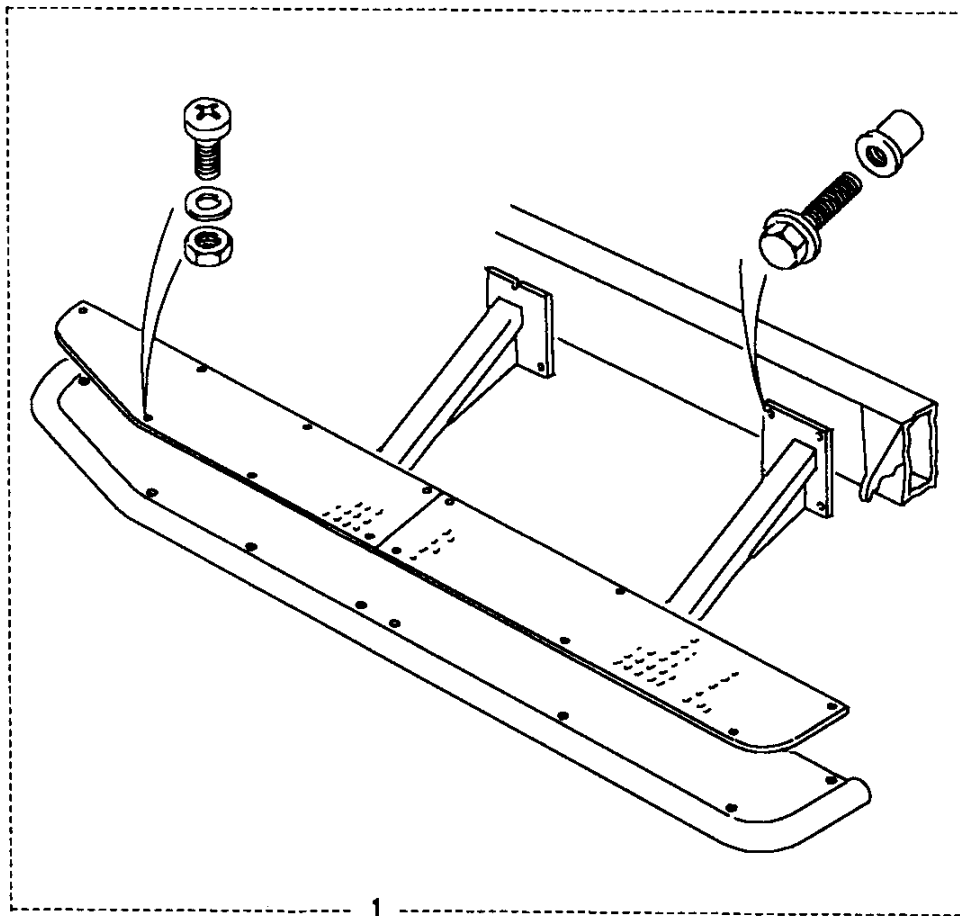
**Model** RANGE ROVER 1992 onwards  
**Page** BDTXPA6A

**ACCESSORIES - SIDE STEP**

III. Part No.	Description	Qty	Remarks
1 RTC9507AB	Kit side step	1	Note(1)
STC8049	Service kit side step	1	
STC8087	Side runner- Polished	1	Stainless
STC8130	Side runner	1	
STC8160	Side runner	1	LSE
STC8807	Service kit extrusion	1	

Note(1)  
 Note(2)

Bracket included for fitting front mudflaps.  
 Queries relating to fitting, alternative applications and service levels should be directed to Accessories Department at Land Rover Parts





**MASTER INDEX**

	PAGES
INTRODUCTION PAGES	1 - 3
ALPHABETICAL INDEX	4 - 9
ENGINE	10 - 50
ENGINE	51 - 88
ENGINE	89 - 133
ENGINE	134 - 172
GEARBOX	173 - 194
GEARBOX	195 - 211
GEARBOX	212 - 238
TRANSFER BOX	239 - 252
AXLES AND SUSPENSION	253 - 313
STEERING	314 - 332
VEHICLE AND ENGINE CONTROLS	333 - 343
BRAKES	344 - 374
FUEL SYSTEM AND AIR CLEANER	375 - 401
EXHAUST SYSTEM	402 - 409
COOLING/HEATING	410 - 456
BODY ELECTRICAL	457 - 574
BODY AND CHASSIS	575 - 681
INTERIOR TRIM	682 - 772
SEATS	773 - 843
SEATS	844 - 862
STOWAGE	863 - 865
ACCESSORIES - PAINTS	866 - 893
NUMERICAL INDEX	895 - 958

PART NO	PAGE	PART NO	PAGE	PART NO	PAGE	PART NO	PAGE	PART NO	PAGE	PART NO	PAGE
AAU1979	348	AB606041L	640	AB608061L	755	AB612051L	395	ADU6780	638	AEU1616	128
AAU1979	353	AB606041L	643	AB608074	548	AB612051L	603	ADU6780	641	AEU1627	450
AAU2249L	167	AB606041L	645	AB608084	548	AB612051L	613	ADU6780	644	AEU1627	451
AAU2249L	47	AB606041L	662	AB608101L	692	AB612061L	603	ADU6780	647	AEU1627	452
AAU2304	244	AB606051L	541	AB608107	685	AB612081L	557	ADU6780	730	AEU1627	453
AAU5034	537	AB606141L	319	AB610041L	125	AB614081L	702	ADU6780	731	AEU1627	454
AAU5034	569	AB608031L	361	AB610041L	460	AB616011	430	ADU7048	432	AEU1627	455
AAU5034	570	AB608031L	436	AB610041L	462	ACU5037	559	ADU7048	447	AEU1628	450
AAU5034	571	AB608031L	537	AB610041L	464	AC606041L	685	ADU7242L	123	AEU1628	451
AAU7803	350	AB608031L	569	AB610041L	521	AC606081L	319	ADU7954	580	AEU1628	452
AAU7803	355	AB608031L	570	AB610041L	662	AC608052L	821	ADU7954	584	AEU1628	453
AAU7803	361	AB608031L	659	AB610041L	663	AC608052L	832	ADU8460L	597	AEU1628	454
AAU8111	551	AB608031L	686	AB610041L	701	AC608052L	834	ADU8460L	599	AEU1628	455
AAU9902	390	AB608031L	752	AB610041L	815	AC608052L	838	ADU8460L	601	AEU1706	168
AAU9903	390	AB608031L	754	AB610041L	98	AC608052L	839	AD606035L	656	AEU1708	168
ABU1361	390	AB608031L	781	AB610061L	679	AC608052L	847	AD610083	755	AEU1714	342
AB604022L	510	AB608041L	849	AB610061L	691	AC608053L	842	AD610084	752	AEU1714	343
AB604031L	507	AB608047L	459	AB610061L	692	AC610061L	730	AD610084	754	AEU2001L	137
AB604031L	509	AB608047L	461	AB610121L	512	AC610061L	732	AD610084	861	AEU2008L	139
AB606031	433	AB608047L	571	AB610121L	514	AC610061L	739	AEU1403	443	AEU2009L	139
AB606031	449	AB608047L	656	AB610121L	516	AC610061L	745	AEU1448	399	AEU2010L	139
AB606031L	429	AB608047L	747	AB610121L	518	AC610081L	684	AEU1448	401	AEU2020L	139
AB606031L	469	AB608051	433	AB612041L	591	AC610081L	770	AEU1452	350	AEU2021L	139
AB606031L	595	AB608051	449	AB612041L	592	AC610081L	772	AEU1452	355	AEU2022L	139
AB606031L	647	AB608051L	641	AB612041L	593	ADU1784L	524	AEU1523	466	AEU2023L	140
AB606041	228	AB608051L	644	AB612041L	613	ADU2888L	374	AEU1525	466	AEU2025L	140
AB606041	430	AB608051L	647	AB612041L	661	ADU3775	637	AEU1532	168	AEU2026L	140
AB606041L	230	AB608054L	468	AB612041L	692	ADU3905	559	AEU1547	365	AEU2027L	140
AB606041L	411	AB608054L	551	AB612041L	695	ADU4903L	695	AEU1547	367	AEU2029L	140
AB606041L	638	AB608054L	660	AB612044	711	ADU6418L	560	AEU1547	369	AEU2035L	140

PART NO	PAGE	PART NO	PAGE	PART NO	PAGE	PART NO	PAGE	PART NO	PAGE	PART NO	PAGE
AEU2038L	141	AEU2079L	151	AEU2135L	152	AEU2217L	156	AEU3057	443	AFU2913L	516
AEU2039L	141	AEU2080L	151	AEU2136L	152	AEU2218L	148	AFU1016	603	AFU2913L	518
AEU2040L	141	AEU2081L	151	AEU2137L	152	AEU2219L	148	AFU1079	702	AFU2913L	520
AEU2041L	141	AEU2082L	151	AEU2139L	152	AEU2220L	148	AFU1090L	562	AFU2913L	526
AEU2042L	141	AEU2083L	151	AEU2144L	152	AEU2226L	148	AFU1090L	871	AFU2945	686
AEU2045L	149	AEU2085L	151	AEU2146L	152	AEU2228L	138	AFU1153	849	AFU2989	739
AEU2051L	149	AEU2090L	151	AEU2146L	164	AEU2230L	138	AFU1158	37	AFU2989	745
AEU2052L	149	AEU2091L	151	AEU2147L	391	AEU2233L	156	AFU1180	366	AFU3002	655
AEU2053L	149	AEU2093L	151	AEU2148L	391	AEU2234L	156	AFU1262	472	AFU3002	695
AEU2054L	149	AEU2094L	151	AEU2149L	391	AEU2239L	172	AFU1262	473	AFU3002	711
AEU2056L	149	AEU2094L	153	AEU2151L	157	AEU2272L	137	AFU1262	474	AFU3009	679
AEU2057L	148	AEU2098L	160	AEU2152L	157	AEU2273L	137	AFU1272	472	AFU3019	637
AEU2057L	149	AEU2103L	160	AEU2164L	155	AEU2281L	142	AFU1272	473	AFU3019	640
AEU2059L	150	AEU2104L	160	AEU2165L	155	AEU2284L	141	AFU1397	664	AFU3019	643
AEU2060L	150	AEU2105L	160	AEU2173L	139	AEU2285L	138	AFU1398	664	AFU3075	436
AEU2061L	150	AEU2108L	160	AEU2179L	145	AEU2288L	137	AFU1400	249	AFU3075	507
AEU2062L	150	AEU2109L	149	AEU2180L	137	AEU2290L	137	AFU1400	250	AFU3075	695
AEU2063L	150	AEU2111L	158	AEU2186L	153	AEU2291L	157	AFU1400	251	AFU3075	700
AEU2064L	150	AEU2112L	158	AEU2193L	172	AEU2293L	172	AFU1879L	15	AFU3075	702
AEU2065L	150	AEU2113L	158	AEU2195L	138	AEU2294L	140	AFU1882L	15	AFU3112L	465
AEU2067L	150	AEU2123L	159	AEU2196L	138	AEU2296L	149	AFU1882L	55	AFU3341L	465
AEU2068	150	AEU2124L	159	AEU2198L	138	AEU2300L	160	AFU1887L	15	AFU4056	782
AEU2069L	150	AEU2125L	159	AEU2198L	149	AEU2734	249	AFU1887L	65	AFU4056	788
AEU2070L	150	AEU2126L	159	AEU2199L	138	AEU2737	249	AFU1890L	34	AFU4056	790
AEU2071L	150	AEU2127L	159	AEU2200L	138	AEU2738	249	AFU1896L	637	AFU4056	796
AEU2072L	150	AEU2128L	159	AEU2202L	151	AEU2794L	140	AFU1896L	646	AFU4056	805
AEU2072L	158	AEU2129L	159	AEU2202L	153	AEU2796L	137	AFU2819L	507	AFU4056	808
AEU2073L	150	AEU2129L	40	AEU2207L	149	AEU2875L	148	AFU2881	571	AFU4056	811
AEU2074L	150	AEU2132L	159	AEU2209L	155	AEU2876L	148	AFU2913L	512	AFU4056	813
AEU2078L	151	AEU2134L	152	AEU2214L	156	AEU3043L	151	AFU2913L	514	AFU4131	689



# RANGE ROVER 1992 onwards

897

# NUMERICAL INDEX

PART NO	PAGE	PART NO	PAGE	PART NO	PAGE	PART NO	PAGE	PART NO	PAGE	PART NO	PAGE
AFU4146	560	AK608045	551	ALR1065LUL	631	ALR1622	595	ALR2114	653	ALR3361	639
AFU4155L	765	AK608045	695	ALR1065RWD	631	ALR1635	606	ALR2115	642	ALR3361	642
AFU4155L	767	AK608141L	711	ALR1065SUA	631	ALR1639	606	ALR2115	651	ALR3394	595
AFU4155L	769	AK608191	548	ALR1475	320	ALR1657	592	ALR2115	653	ALR3402	598
AFU4214	326	AK612011L	661	ALR1476	320	ALR1660	592	ALR2116	651	ALR3411	598
AFU4241L	471	AK612011L	593	ALR1486	600	ALR1661	663	ALR2117	651	ALR3412	598
AFU4481	465	AK612011L	594	ALR1487	600	ALR1703	663	ALR2122	651	ALR3414	601
AGU1068L	526	AK612014	558	ALR1502	645	ALR1767	626	ALR2122	653	ALR3489	589
AGU1425	821	AK612014	711	ALR1503	645	ALR1770	629	ALR2210	614	ALR3490	589
AGU1425	831	AK616011	429	ALR1504	631	ALR1771	629	ALR2211	614	ALR3495	596
AGU1425	834	AK616011	430	ALR1505	631	ALR1803	595	ALR2215	614	ALR3496	596
AGU1425	837	ALR1062AUK	623	ALR1508	629	ALR1804	595	ALR2241	649	ALR3501	589
AGU1425	840	ALR1062LNF	623	ALR1509	629	ALR1878	625	ALR2324	650	ALR3502	589
AGU1425	842	ALR1062LOY	623	ALR1510	629	ALR1879	625	ALR2326	648	ALR3503	611
AGU1425	847	ALR1062LUL	623	ALR1512	628	ALR1931	601	ALR2326	650	ALR3518	592
AH610011	580	ALR1062RWD	623	ALR1516AUK	632	ALR1937	600	ALR2366	590	ALR3722	320
AJU1136L	730	ALR1062SUA	623	ALR1516LNF	632	ALR1942	600	ALR2367	590	ALR3723	320
AJU1136L	731	ALR1063AUK	624	ALR1516LOY	632	ALR1946	601	ALR2371	626	ALR3724	650
AJU1136L	739	ALR1063LNF	624	ALR1516RWD	632	ALR1967	606	ALR2384	610	ALR3724	652
AJU1136L	745	ALR1063LOY	624	ALR1516SUA	632	ALR1976	621	ALR2385	610	ALR3725	650
AJU1136L	821	ALR1063LUL	624	ALR1517AUK	632	ALR1976	627	ALR2416	665	ALR3725	652
AJU1136L	831	ALR1063RWD	624	ALR1517LNF	632	ALR1978	660	ALR2417	665	ALR3726	650
AJU1136L	834	ALR1063SUA	624	ALR1517LOY	632	ALR2046	598	ALR3133	663	ALR3905	625
AJU1136L	838	ALR1064LNF	631	ALR1517RWD	632	ALR2056	606	ALR3185	605	ALR3906	625
AJU1136L	840	ALR1064LOY	631	ALR1517SUA	632	ALR2112	651	ALR3186	663	ALR4019	606
AJU1136L	842	ALR1064LUL	631	ALR1518	601	ALR2112	652	ALR3213	605	ALR4187	589
AJU1136L	847	ALR1064RWD	631	ALR1592	661	ALR2113	651	ALR3259	589	ALR4188	589
AJ606011L	781	ALR1064SUA	631	ALR1603	601	ALR2113	652	ALR3260	589	ALR4189	598
AK606061L	548	ALR1065LNF	631	ALR1614SUA	622	ALR2114	642	ALR3262	607	ALR4190	598
AK608041L	695	ALR1065LOY	631	ALR1615SUA	622	ALR2114	651	ALR3264	607	ALR4193	588





# RANGE ROVER 1992 onwards

898

# NUMERICAL INDEX

PART NO	PAGE	PART NO	PAGE	PART NO	PAGE	PART NO	PAGE	PART NO	PAGE	PART NO	PAGE
ALR4194	587	ALR4726	620	ALR6104	607	AMR1027	573	AMR1173	574	AMR1835	573
ALR4195	612	ALR4727	620	ALR6105	607	AMR1044	571	AMR1233	539	AMR1835	574
ALR4203	600	ALR4756	654	ALR6113	589	AMR1045	494	AMR1234	539	AMR1836	535
ALR4204	600	ALR4757	654	ALR6114	589	AMR1046	490	AMR1237	539	AMR1843	549
ALR4226	592	ALR4786	618	ALR6138	614	AMR1047	490	AMP1253	544	AMR1844	549
ALR4231	595	ALR4787	626	ALR6254	631	AMR1048	489	AMR1262	539	AMR1882	558
ALR4453	627	ALR4848	604	ALR6255	631	AMR1049	489	AMR1280	484	AMR1886	574
ALR4454	627	ALR4850	604	ALR6498	624	AMR1057	473	AMR1282	566	AMR1888	574
ALR4457	598	ALR4852	657	ALR6498	628	AMR1071	550	AMR1339	539	AMR1891	535
ALR4457	600	ALR4950	651	ALR6540	619	AMR1071	553	AMR1340	539	AMR1943	527
ALR4458	598	ALR5213	652	ALR6540	628	AMR1088	520	AMR1345	539	AMR1944	527
ALR4458	600	ALR5216	652	ALR6541	628	AMR1088	535	AMR1349	539	AMR1947	493
ALR4461	596	ALR5223	652	ALR6543	635	AMR1090	491	AMR1405	530	AMR1949	486
ALR4461	598	ALR5595	620	ALR6544	635	AMR1090	492	AMR1406	530	AMR1950	486
ALR4461	600	ALR5596	620	ALR6555	625	AMR1091	491	AMR1415	535	AMR1951	486
ALR4462	596	ALR5644	611	ALR6556	625	AMR1091	492	AMR1424	526	AMR1957	486
ALR4462	598	ALR5732	603	ALR6898	593	AMR1092	475	AMR1425	109	AMR1960	486
ALR4462	600	ALR5903	607	ALR6915	655	AMR1093	475	AMR1425	73	AMR1965	490
ALR4463	628	ALR5904	607	ALR6995	598	AMR1096	475	AMR1517	558	AMR1966	490
ALR4464	628	ALR5905	607	ALR6995	600	AMR1111	516	AMR1552	484	AMR1967	489
ALR4467	472	ALR5906	607	ALR6996	598	AMR1111	518	AMR1594	498	AMR1968	489
ALR4467	589	ALR5907	607	ALR6996	600	AMR1111	521	AMR1595	498	AMR1969	489
ALR4468	472	ALR5908	607	ALR8217	625	AMR1114	573	AMR1596	498	AMR1976	477
ALR4468	589	ALR6023	625	ALR8218	625	AMR1114	574	AMR1710	495	AMR1977	477
ALR4637	657	ALR6024	625	AL610011L	684	AMR1118	475	AMR1712	34	AMR1979	477
ALR4638	658	ALR6080	657	AL610011L	752	AMR1119	475	AMR1716	491	AMR1980	478
ALR4639	658	ALR6081	657	AL610011L	754	AMR1122	493	AMR1721	474	AMR1981	478
ALR4722	621	ALR6101	607	AMR1024	562	AMR1123	494	AMR1776	508	AMR1982	478
ALR4723	627	ALR6102	607	AMR1025	562	AMR1124	494	AMR1777	508	AMR1986	478
ALR4725	626	ALR6103	607	AMR1027	562	AMR1125	493	AMR1778	508	AMR1987	479



PART NO	PAGE	PART NO	PAGE	PART NO	PAGE	PART NO	PAGE	PART NO	PAGE	PART NO	PAGE
AMR1988	479	AMR2068	461	AMR2218	85	AMR2425	66	AMR2752	555	AMR3140	484
AMR1989	479	AMR2089	462	AMR2224	123	AMR2462	502	AMR2753	555	AMR3141	474
AMR1990	479	AMR2090	462	AMR2244	550	AMR2463	502	AMR2779LNF	509	AMR3159	672
AMR2001	550	AMR2092	102	AMR2263	127	AMR2469	534	AMR2872	553	AMR3159	675
AMR2002	550	AMR2099	550	AMR2263	85	AMR2496	511	AMR2876	554	AMR3183	479
AMR2002	553	AMR2100	550	AMR2269	502	AMR2497	511	AMR2914	480	AMR3184	479
AMR2005	463	AMR2106	532	AMR2270	502	AMR2515	123	AMR2915	480	AMR3185	479
AMR2006	463	AMR2107	532	AMR2279	530	AMR2515	124	AMR2921	477	AMR3186	479
AMR2007	463	AMR2108	532	AMR2280	530	AMR2524	573	AMR2922	478	AMR3187	477
AMR2010	338	AMR2108	534	AMR2289	530	AMR2587	502	AMR2925	479	AMR3188	477
AMR2010	537	AMR2109	532	AMR2308	486	AMR2591	533	AMR2926	477	AMR3189	477
AMR2016	496	AMR2109	533	AMR2318	486	AMR2593	535	AMR2927	478	AMR3190	477
AMR2016	527	AMR2109	534	AMR2319	486	AMR2594	535	AMR2928	478	AMR3191	478
AMR2020	559	AMR2110	533	AMR2320	486	AMR2617	493	AMR2929	479	AMR3192	478
AMR2021	559	AMR2119	551	AMR2321	486	AMR2618	554	AMR2942	526	AMR3193	478
AMR2022	535	AMR2120	551	AMR2341	516	AMR2652	552	AMR2944	526	AMR3194	478
AMR2024	532	AMR2134	554	AMR2341	518	AMR2705	504	AMR3024	507	AMR3208	492
AMR2025	532	AMR2159LNF	554	AMR2344	461	AMR2720	477	AMR3024	509	AMR3209	492
AMR2026	532	AMR2169	516	AMR2345	461	AMR2721	477	AMR3027	498	AMR3210	492
AMR2026	534	AMR2169	518	AMR2370	555	AMR2722	477	AMR3028	553	AMR3234	530
AMR2027	532	AMR2169	521	AMR2371	555	AMR2723	477	AMR3031	483	AMR3242	526
AMR2027	533	AMR2191	319	AMR2373	555	AMR2724	478	AMR3032	483	AMR3243	526
AMR2027	534	AMR2204	551	AMR2374	555	AMR2725	478	AMR3043	552	AMR3247	462
AMR2034	535	AMR2207	502	AMR2375	486	AMR2726	478	AMR3045	553	AMR3252	559
AMR2062	549	AMR2208	493	AMR2380	500	AMR2727	478	AMR3053	552	AMR3261	509
AMR2062	552	AMR2211	493	AMR2381	500	AMR2728	479	AMR3089	559	AMR3283	559
AMR2063	549	AMR2212	495	AMR2384	552	AMR2729	479	AMR3090	559	AMR3289	492
AMR2065	491	AMR2213	495	AMR2385	552	AMR2730	479	AMR3097	552	AMR3290	696
AMR2066	461	AMR2217	127	AMR2400	560	AMR2731	479	AMR3107	127	AMR3291	696
AMR2067	461	AMR2218	127	AMR2425	28	AMR2744	462	AMR3134	523	AMR3292	696



# RANGE ROVER 1992 onwards

900

# NUMERICAL INDEX

PART NO	PAGE	PART NO	PAGE	PART NO	PAGE	PART NO	PAGE	PART NO	PAGE	PART NO	PAGE
AMR3293	696	AMR3513	481	AMR3545	483	AMR3647	574	AMR3866	530	ANR1555	579
AMR3301	562	AMR3514	482	AMR3546	483	AMR3649	574	AMR3867	530	ANR1557	583
AMR3304	504	AMR3515	481	AMR3561	499	AMR3666	504	AMR3870	558	ANR1564	577
AMR3312	536	AMR3516	482	AMR3562	499	AMR3667	504	AMR3928	476	ANR1566	577
AMR3313	536	AMR3519	482	AMR3563	499	AMR3668	504	AMR3928	480	ANR1570	353
AMR3314	536	AMR3520	481	AMR3564	499	AMR3669	504	AMR3929	542	ANR1584	577
AMR3337	529	AMR3521	481	AMR3579	488	AMR3678	520	AMR3930	542	ANR1585	577
AMR3338	529	AMR3522	482	AMR3580	488	AMR3679	472	AMR3949	496	ANR1586	577
AMR3361	574	AMR3523	487	AMR3581	488	AMR3679	474	AMR3950	496	ANR1587	577
AMR3374	488	AMR3524	487	AMR3582	488	AMR3680	472	AMR3951	496	ANR1633	335
AMR3382	647	AMR3525	487	AMR3597	508	AMR3680	474	AMR3952	496	ANR1677	349
AMR3382	660	AMR3526	487	AMR3598	508	AMR3681	472	AMR4139	522	ANR1678	349
AMR3384	641	AMR3527	487	AMR3599	508	AMR3681	474	AMR4140	522	ANR1679	349
AMR3384	644	AMR3528	487	AMR3600	508	AMR3720	532	ANR1111	870	ANR1709	361
AMR3386	543	AMR3529	487	AMR3601	511	AMR3721	532	ANR1119	358	ANR1710	360
AMR3396	463	AMR3530	487	AMR3602	511	AMR3722	532	ANR1212	340	ANR1721	300
AMR3434	484	AMR3531	487	AMR3603	508	AMR3722	534	ANR1212	341	ANR1721	307
AMR3446	527	AMR3532	501	AMR3604	508	AMR3723	533	ANR1220	300	ANR1721	309
AMR3447	527	AMR3533	555	AMR3605	508	AMR3723	534	ANR1220	307	ANR1724	300
AMR3455	550	AMR3534	501	AMR3613	488	AMR3725	532	ANR1222	577	ANR1725	300
AMR3455	553	AMR3535	555	AMR3614	488	AMR3745	509	ANR1223	578	ANR1739	313
AMR3458	509	AMR3536	488	AMR3622	496	AMR3746	509	ANR1292	578	ANR1740	313
AMR3463	552	AMR3537	488	AMR3623	496	AMR3747	509	ANR1308	311	ANR1741	313
AMR3468	484	AMR3538	488	AMR3624	496	AMR3754	88	ANR1309	300	ANR1799	303
AMR3493	552	AMR3539	488	AMR3625	496	AMR3755	87	ANR1406MNH	294	ANR1846	311
AMR3503	561	AMR3540	488	AMR3631	497	AMR3841	506	ANR1410	343	ANR1847	311
AMR3509	481	AMR3541	492	AMR3632	497	AMR3842	506	ANR1464	355	ANR1848	311
AMR3510	482	AMR3542	492	AMR3633	497	AMR3855	491	ANR1465	355	ANR1853	300
AMR3511	481	AMR3543	530	AMR3634	497	AMR3856	491	ANR1504	605	ANR1859	663
AMR3512	482	AMR3544	530	AMR3647	504	AMR3859	203	ANR1539	346	ANR1860	335





# RANGE ROVER 1992 onwards

## 901

# NUMERICAL INDEX

PART NO	PAGE	PART NO	PAGE	PART NO	PAGE	PART NO	PAGE	PART NO	PAGE	PART NO	PAGE
ANR1886	864	ANR2468RUN	372	ANR2948	865	ANR3502	340	AN104041L	808	AWR1166LNF	688
ANR1887	329	ANR2488	20	ANR2953	355	ANR3503	340	AN104041L	811	AWR1167LNF	687
ANR1887	331	ANR2508	355	ANR2954	355	ANR3518	318	AN604041L	436	AWR1183	704
ANR1895	300	ANR2559	337	ANR2955	361	ANR3519	304	AN604041L	583	AWR1187LNF	687
ANR1895	307	ANR2681	349	ANR2956	360	ANR3520	304	AN605011L	707	AWR1195LNF	697
ANR1895	309	ANR2681	353	ANR2957	361	ANR3592	335	AR606031L	609	AWR1196LNF	697
ANR1903	311	ANR2701	354	ANR2958	360	ANR3606	335	AR606034	659	AWR1197LNF	508
ANR1998	327	ANR2702	358	ANR2994	322	ANR3608	345	AR612051	396	AWR1199LNF	697
ANR1998	328	ANR2703	358	ANR3036	310	ANR3613	346	AS604044	641	AWR1200LNF	697
ANR2003	117	ANR2763MMM	294	ANR3037	303	ANR3614	346	AS604044	643	AWR1218	718
ANR2004	343	ANR2803	326	ANR3131	329	ANR3622LNF	372	AS604044	646	AWR1219	718
ANR2033	579	ANR2803	97	ANR3157	311	ANR3623LNF	372	AS608064	695	AWR1220	717
ANR2039	343	ANR2804	326	ANR3171	318	ANR3629	870	ATU1008L	698	AWR1221	717
ANR2040	343	ANR2804	97	ANR3202	316	ANR3636	357	ATU1015L	781	AWR1322	448
ANR2091	353	ANR2805	252	ANR3211	358	ANR3637	357	ATU1017L	655	AWR1368	662
ANR2092	348	ANR2815	97	ANR3213	358	ANR3653	316	ATU1020L	507	AWR1369	662
ANR2116	329	ANR2816	97	ANR3282	311	ANR3654	316	ATU1021L	507	AWR1370	750
ANR2116	331	ANR2817	252	ANR3386	342	ANR3700	327	ATU1022L	507	AWR1399	704
ANR2137	335	ANR2818	252	ANR3410	296	ANR3700	413	ATU1023L	507	AWR1439	687
ANR2157	82	ANR2820	252	ANR3412	359	ANR3700	419	ATU1024	695	AWR1439	704
ANR2183	342	ANR2821	252	ANR3428	578	ANR3754	312	ATU1027L	507	AWR1442LUM	733
ANR2186	342	ANR2822	252	ANR3429	578	ANR3757	311	ATU1029	612	AWR1443LUM	733
ANR2226	577	ANR2823	252	ANR3432	578	ANU1269L	210	ATU1040	597	AWR1449LUM	733
ANR2391MUE	294	ANR2868	59	ANR3465	579	AN104041L	637	ATU1040	599	AWR1450LUM	733
ANR2393	313	ANR2933	316	ANR3480	297	AN104041L	647	ATU1040	601	AWR1511	617
ANR2420	300	ANR2933	504	ANR3484	313	AN104041L	782	AUD3577L	112	AWR1512	617
ANR2426	869	ANR2935	359	ANR3488	349	AN104041L	789	AV608081	537	AWR1997AUE	768
ANR2426	871	ANR2938	305	ANR3489	354	AN104041L	791	AV608081L	781	AWR1997LNF	768
ANR2445	579	ANR2941	338	ANR3500	341	AN104041L	803	AWR1156LNF	697	AWR1997LOY	768
ANR2467RUN	372	ANR2941	341	ANR3501	341	AN104041L	806	AWR1159LNF	508	AWR1998AUE	768







## RANGE ROVER 1992 onwards

902

## NUMERICAL INDEX

PART NO	PAGE	PART NO	PAGE	PART NO	PAGE	PART NO	PAGE	PART NO	PAGE	PART NO	PAGE
AWR1998LNF	768	BH1080181L	821	BH110121L	144	BH504151L	118	BH610101L	869	BTP1811	417
AWR1998LOY	768	BH1080181L	832	BH110121L	171	BH504161L	100	BH610321L	304	BTP1812	417
AWR2617	675	BH108071L	191	BH110121L	334	BH505121L	100	BH612321	303	BTP1823	417
AW608101L	440	BH108071L	318	BH110121L	337	BH505241L	99	BLS112L	188	BTP1831	415
AW608125L	580	BH108091L	146	BH110121L	339	BH505341L	118	BLS112L	199	BTP1839	415
AY606105	654	BH108091L	317	BH110201L	578	BH505381L	100	BLS112L	209	BTP1841	415
AY606105	781	BH108105L	179	BH110221L	306	BH505381L	117	BMK1714	536	BTP1842	415
BAU1689	178	BH108105L	409	BH110221L	307	BH505401L	100	BNP2227L	360	BTP1843	415
BAU1689	179	BH108181L	820	BH110221L	309	BH505401L	117	BNP2227L	361	BTR1018PMA	702
BAU2195L	168	BH108181L	830	BH110241	585	BH505441L	118	BRC1393	640	BTR1031	669
BAU4978L	142	BH108181L	842	BH110261	870	BH505441L	100	BRC1393	643	BTR1031	672
BAU4979L	142	BH108201L	144	BH110261L	227	BH505485L	100	BRC1393	645	BTR1031	675
BAU5090L	151	BH108201L	252	BH112091L	165	BH506121L	108	BRC1482L	656	BTR1032	669
BAU5091L	151	BH108201L	543	BH112091L	176	BH506131L	118	BRC5803	782	BTR1032	672
BAU5313L	152	BH108201L	820	BH112101L	262	BH506161L	108	BRC5803	788	BTR1032	675
BAU5374L	162	BH108201L	830	BH112101L	283	BH506161L	176	BRC5803	790	BTR1033	669
BDU1496L	72	BH108201L	833	BH112221L	870	BH506161L	215	BRC5803	796	BTR1033	672
BFP1265L	639	BH108201L	834	BH112261L	20	BH506345	118	BRC5803	805	BTR1033	675
BFP1265L	642	BH108201L	837	BH112301L	166	BH604151L	325	BRC5803	808	BTR1047	669
BFP1265L	645	BH108201L	839	BH114101L	165	BH605101L	118	BRC5803	811	BTR1047	672
BFP1265L	656	BH108201L	846	BH114111L	169	BH605101L	46	BRC5803	813	BTR1047	675
BHM705L	617	BH108281	129	BH114151	296	BH605131L	94	BRC6484	669	BTR1187	712
BHM7058L	459	BH110071L	166	BH114161	296	BH606361L	579	BRC6484	672	BTR1187	713
BHM7058L	460	BH110091L	171	BH406101L	326	BH606361L	869	BRC6484	675	BTR1188	712
BH105067L	614	BH110091L	373	BH504101L	100	BH606401L	118	BRC8965PMA	638	BTR1188	713
BH106061L	165	BH110091L	48	BH504111L	100	BH606401L	46	BRC8965PMA	640	BTR1191	690
BH106061L	362	BH110091L	49	BH504111L	113	BH607161L	322	BRC8965PMA	643	BTR1201	714
BH106061L	364	BH110101L	166	BH504121L	100	BH608321L	582	BRC8965RUN	645	BTR1214LUM	471
BH106101L	142	BH110111L	133	BH504121L	117	BH608321L	869	BTP1781	417	BTR1236	452
BH106161L	153	BH110121L	143	BH504151L	100	BH608481L	582	BTP1809	417	BTR1236	453



PART NO	PAGE	PART NO	PAGE	PART NO	PAGE	PART NO	PAGE	PART NO	PAGE	PART NO	PAGE
BTR1237	434	BTR1458RUN	686	BTR193SUA	831	BTR2045PUB	771	BTR2339LUV	787	BTR2611RUN	694
BTR1286	434	BTR1487AUE	705	BTR193SUA	840	BTR2046PUB	771	BTR2339SUA	787	BTR2612RUN	693
BTR1301	118	BTR1487LUL	705	BTR193SUA	842	BTR2121AUK	728	BTR2340LUL	787	BTR2613RUN	693
BTR1302	166	BTR1491AUE	705	BTR1935AUK	807	BTR2121AUK	733	BTR2340LUV	787	BTR2670PMA	794
BTR1312AUE	767	BTR1491LUL	705	BTR1936AUK	807	BTR2121LNF	733	BTR2340SUA	787	BTR2670PMA	804
BTR1312AUK	767	BTR1492AUE	705	BTR1937AUK	807	BTR2121LOY	733	BTR2458	594	BTR2670PMA	807
BTR1312LUL	767	BTR1564RUN	570	BTR1938AUK	807	BTR2121LUL	728	BTR2473	757	BTR2670PMA	810
BTR1312RWD	767	BTR1565RUN	570	BTR1939AUK	807	BTR2121RWD	728	BTR2474	757	BTR2671PMA	794
BTR1314	695	BTR1686PUB	771	BTR194AUK	834	BTR2121SUA	728	BTR2481	714	BTR2671PMA	804
BTR1315	695	BTR1687PUB	771	BTR194LNF	820	BTR2121SUA	733	BTR2481	715	BTR2671PMA	807
BTR132	679	BTR1793AUE	760	BTR194LNF	831	BTR2125	859	BTR2548	450	BTR2671PMA	810
BTR133	679	BTR1793LUL	760	BTR194LNF	847	BTR216	435	BTR2549	452	BTR2697LUM	667
BTR1333RUN	569	BTR1884PMA	859	BTR194LOY	820	BTR217	435	BTR2549	453	BTR2752	864
BTR1334RUN	569	BTR1884RUN	859	BTR194LOY	831	BTR2289	712	BTR2564	450	BTR2757AUK	833
BTR1335RUN	569	BTR1898	716	BTR194LUL	820	BTR2290	712	BTR2564	451	BTR2758AUK	834
BTR1335RUN	570	BTR1899	716	BTR194LUL	831	BTR2290	713	BTR2564	452	BTR2759AUK	833
BTR1336RUN	569	BTR1900	716	BTR194RWD	831	BTR2291	714	BTR2564	453	BTR276	440
BTR1336RUN	570	BTR1901	716	BTR194RWD	837	BTR2291	715	BTR2564	454	BTR2760AUK	834
BTR134	678	BTR1906	716	BTR194SUA	820	BTR2292	712	BTR2564	455	BTR2769AUK	808
BTR135	678	BTR193AUK	834	BTR194SUA	831	BTR2292	713	BTR2579	451	BTR2770AUK	808
BTR137AUK	726	BTR193LNF	820	BTR194SUA	840	BTR2292	714	BTR2580	450	BTR2800AUK	834
BTR137LUL	726	BTR193LNF	831	BTR194SUA	842	BTR2292	715	BTR2580	454	BTR2801AUK	834
BTR137RWD	726	BTR193LNF	847	BTR1940AUK	807	BTR2292	716	BTR2581	453	BTR2828AUK	853
BTR137SUA	726	BTR193LOY	820	BTR1955	698	BTR2301LUL	785	BTR2582	452	BTR2830AUK	853
BTR138AUK	727	BTR193LOY	831	BTR1987	772	BTR2301LUV	785	BTR2602RUN	696	BTR2871LUL	793
BTR138LUL	727	BTR193LUL	820	BTR1988	772	BTR2301SUA	785	BTR2606RUN	694	BTR2871LUV	793
BTR138RWD	727	BTR193LUL	831	BTR2003	672	BTR2302LUL	785	BTR2607RUN	694	BTR2871RWD	793
BTR138SUA	727	BTR193RWD	831	BTR2003	674	BTR2302LUV	785	BTR2608RUN	693	BTR2871RWD	810
BTR143RUN	858	BTR193RWD	837	BTR2004	672	BTR2302SUA	785	BTR2609RUN	693	BTR2871SUA	793
BTR144RUN	858	BTR193SUA	820	BTR2004	674	BTR2339LUL	787	BTR2610RUN	694	BTR2872LUL	792



# RANGE ROVER 1992 onwards

## 904

# NUMERICAL INDEX

PART NO	PAGE	PART NO	PAGE	PART NO	PAGE	PART NO	PAGE	PART NO	PAGE	PART NO	PAGE
BTR2872LUV	792	BTR309AUK	779	BTR314SUA	780	BTR3485RUN	507	BTR3710	451	BTR386	678
BTR2872RWD	792	BTR309LUL	779	BTR318	758	BTR3486RUN	695	BTR3711	452	BTR390AUK	777
BTR2872RWD	810	BTR309RWD	779	BTR319	758	BTR3510	581	BTR3711	453	BTR390LUL	777
BTR2872SUA	792	BTR309SUA	779	BTR3256LMP	668	BTR3515	864	BTR3717	444	BTR390RWD	777
BTR2873AUE	792	BTR310AUK	779	BTR3256MCF	668	BTR3576	821	BTR3719	444	BTR390SUA	777
BTR2873LUL	792	BTR310LUL	779	BTR3257LMP	668	BTR3576	832	BTR3720	445	BTR391AUK	777
BTR2874AUE	792	BTR310RWD	779	BTR3257MCF	668	BTR3576	835	BTR3721	429	BTR391LUL	777
BTR2874LUL	792	BTR310SUA	779	BTR3312LNF	687	BTR3576	838	BTR3721	430	BTR391RWD	777
BTR2879LUL	794	BTR3122AUK	738	BTR3313LNF	687	BTR3576	840	BTR3724LNF	687	BTR391SUA	777
BTR2879LUV	794	BTR3122LNF	744	BTR332AUE	705	BTR3576	848	BTR3724LOY	687	BTR3932	861
BTR2879RWD	794	BTR3122LOY	744	BTR332LUL	705	BTR358	612	BTR3724SUA	687	BTR397RUN	723
BTR2879RWD	810	BTR3122RWD	738	BTR335	864	BTR3617LNF	707	BTR3725LNF	687	BTR398RUN	723
BTR2879SUA	794	BTR3122SUA	738	BTR3353LNF	687	BTR3617RUN	707	BTR3725LOY	687	BTR399RUN	719
BTR2880LUL	793	BTR3122SUA	744	BTR339LNF	861	BTR3630	445	BTR3725SUA	687	BTR399RUN	723
BTR2880LUV	793	BTR3123AUK	738	BTR339RUN	861	BTR3630	451	BTR3730LNF	687	BTR3998	439
BTR2880RWD	793	BTR3123LNF	744	BTR3409RUN	693	BTR3630	453	BTR3731	689	BTR3999	439
BTR2880RWD	810	BTR3123LOY	744	BTR344	782	BTR3630	455	BTR374	758	BTR400RUN	719
BTR2880SUA	793	BTR3123RWD	738	BTR344	788	BTR3636AUK	855	BTR375	699	BTR400RUN	723
BTR3AUK	780	BTR3123SUA	738	BTR344	790	BTR3636LNF	855	BTR375	758	BTR4002	431
BTR3LNF	780	BTR3123SUA	744	BTR3462	616	BTR3636LUL	855	BTR3753	442	BTR4002	446
BTR3LUL	780	BTR3126RUN	685	BTR3463	615	BTR3636RWD	855	BTR3761	428	BTR4003	431
BTR3RWD	780	BTR313AUK	780	BTR3464	616	BTR3636SUA	855	BTR3761	430	BTR4003	446
BTR3SUA	780	BTR313LNF	780	BTR3465	616	BTR3636SUA	856	BTR3780	430	BTR4008	437
BTR3041RUN	858	BTR313LUL	780	BTR3466	616	BTR3636SUA	857	BTR3781	430	BTR4016	437
BTR3042RUN	860	BTR313RWD	780	BTR3476	712	BTR3644LNF	704	BTR380LUM	861	BTR4022	437
BTR3043RUN	860	BTR313SUA	780	BTR3476	713	BTR3655LNF	704	BTR3809	454	BTR4025	437
BTR3061	569	BTR314AUK	780	BTR3477	712	BTR3698	444	BTR3809	455	BTR4026	437
BTR3061	570	BTR314LNF	780	BTR3477	713	BTR3699	444	BTR383	678	BTR4038	456
BTR3087PMA	704	BTR314LUL	780	BTR3478	714	BTR3700	444	BTR384	678	BTR4040	456
BTR3088PMA	704	BTR314RWD	780	BTR3484RUN	507	BTR3710	450	BTR385	678	BTR4041	456



PART NO	PAGE	PART NO	PAGE	PART NO	PAGE	PART NO	PAGE	PART NO	PAGE	PART NO	PAGE
BTR4044	456	BTR444LUM	753	BTR4821	678	BTR4926SUA	734	BTR512RUN	861	BTR5385RWD	749
BTR4045	456	BTR4442	436	BTR4822	678	BTR4927AUK	725	BTR5187	677	BTR5385SUA	749
BTR408	686	BTR4494	441	BTR4823	678	BTR4927AUK	734	BTR5188	677	BTR5388AUK	748
BTR409	686	BTR4495	441	BTR4857	759	BTR4927LNF	734	BTR5189	677	BTR5388LUL	748
BTR4190	437	BTR451	608	BTR4858	759	BTR4927LOY	734	BTR5285RUN	723	BTR5388RWD	748
BTR4213LNF	731	BTR453	861	BTR4861	759	BTR4927LUL	725	BTR5286RUN	723	BTR5388SUA	748
BTR4213LOY	731	BTR455	435	BTR4862	759	BTR4927RWD	725	BTR5287RUN	723	BTR5389AUK	749
BTR4213SUA	731	BTR456	435	BTR4866	759	BTR4927SUA	725	BTR5288RUN	723	BTR5389LUL	749
BTR4216LOY	732	BTR457	429	BTR4867	759	BTR4927SUA	734	BTR5321	442	BTR5389RWD	749
BTR4216SUA	732	BTR458	429	BTR4871	759	BTR4930AUE	760	BTR5322	442	BTR5389SUA	749
BTR4217LOY	732	BTR4655SMK	790	BTR4872	759	BTR4930AUK	760	BTR5347RUN	858	BTR5395	685
BTR4217SUA	732	BTR4656SMK	854	BTR4874	769	BTR4930LUL	760	BTR5362RUN	690	BTR5406LNF	743
BTR4220	428	BTR4657SMK	854	BTR4875	765	BTR4930RWD	760	BTR5363RUN	690	BTR5406LOY	743
BTR4264	689	BTR4658SMK	841	BTR4884	432	BTR4932AUE	763	BTR5375AUE	765	BTR5406LUL	735
BTR429RUN	684	BTR4659SMK	841	BTR4884	447	BTR4932LUL	763	BTR5375AUE	769	BTR5406RWD	735
BTR4292LNF	704	BTR4660SMK	841	BTR4892	821	BTR4932RWD	763	BTR5375AUK	765	BTR5406SUA	735
BTR4292SUA	704	BTR4661SMK	841	BTR4892	832	BTR4933AUE	762	BTR5375LNF	769	BTR5407LNF	743
BTR4293LNF	704	BTR4662SMK	841	BTR4892	835	BTR4933AUE	763	BTR5375LOY	769	BTR5407LOY	743
BTR4293SUA	704	BTR4663SMK	841	BTR4892	838	BTR4934AUK	763	BTR5375LUL	765	BTR5407LUL	735
BTR430RUN	691	BTR4664SMK	841	BTR4893	821	BTR4934AUK	764	BTR5375RWD	765	BTR5407RWD	735
BTR4307PMA	687	BTR4665SMK	841	BTR4893	832	BTR4934RWD	764	BTR5380RUN	570	BTR5407SUA	735
BTR431RUN	691	BTR4691	381	BTR4893	835	BTR4966	677	BTR5381RUN	570	BTR5408AUK	736
BTR4311RWD	810	BTR4691	383	BTR4893	838	BTR5019	616	BTR5382	436	BTR5408RWD	736
BTR432	681	BTR4717	83	BTR4926AUK	725	BTR5020	615	BTR5383	436	BTR5409AUK	736
BTR433	681	BTR479RUN	861	BTR4926AUK	734	BTR5021	616	BTR5384AUK	748	BTR5409RWD	736
BTR4349	717	BTR4815	679	BTR4926LNF	734	BTR5022	616	BTR5384LUL	748	BTR5416LUL	720
BTR443LUM	753	BTR4816	679	BTR4926LOY	734	BTR5023	616	BTR5384RWD	748	BTR5416LUL	721
BTR4430	441	BTR4817	678	BTR4926LUL	725	BTR5031	455	BTR5384SUA	748	BTR5416LUL	722
BTR4431	441	BTR4818	678	BTR4926RWD	725	BTR5032	454	BTR5385AUK	749	BTR5416RWD	720
BTR4436LUM	471	BTR4820	678	BTR4926SUA	725	BTR5099	445	BTR5385LUL	749	BTR5416RWD	721

PART NO	PAGE	PART NO	PAGE	PART NO	PAGE	PART NO	PAGE	PART NO	PAGE	PART NO	PAGE
BTR5416RWD	722	BTR5447RWD	738	BTR5587SMK	790	BTR5659MUK	670	BTR5885LNF	860	BTR6172	681
BTR5416SUA	720	BTR5447SUA	738	BTR5591	715	BTR5703PUB	771	BTR5885RUN	860	BTR620	714
BTR5416SUA	721	BTR5447SUA	744	BTR5592	715	BTR5704PUB	771	BTR5886AUE	766	BTR623LUL	735
BTR5416SUA	722	BTR5448AUK	738	BTR5593	715	BTR5750	119	BTR5886AUE	769	BTR623RWD	735
BTR5417LUL	720	BTR5448LNF	744	BTR5603AUK	722	BTR5787	710	BTR5886AUK	766	BTR623SUA	735
BTR5417LUL	721	BTR5448LOY	744	BTR5603LUL	721	BTR5788AUE	709	BTR5886LNF	769	BTR623SUA	743
BTR5417LUL	722	BTR5448RWD	738	BTR5603RWD	721	BTR5788AUK	709	BTR5886LOY	769	BTR624LUL	735
BTR5417RWD	720	BTR5448SUA	738	BTR5603RWD	722	BTR5788LUL	709	BTR5886LUL	766	BTR624RWD	735
BTR5417RWD	721	BTR5448SUA	744	BTR5603SUA	721	BTR5788RWD	709	BTR5886RWD	766	BTR624SUA	735
BTR5417RWD	722	BTR545LNF	861	BTR5603SUA	722	BTR5789AUE	707	BTR5887AUE	766	BTR624SUA	743
BTR5417SUA	720	BTR545RUN	861	BTR5604AUK	722	BTR5789AUK	707	BTR5887AUE	769	BTR625LOY	743
BTR5417SUA	721	BTR5456	712	BTR5604LUL	721	BTR5789LUL	707	BTR5887AUK	766	BTR625LUL	735
BTR5417SUA	722	BTR5456	713	BTR5604RWD	721	BTR5789RWD	707	BTR5887LNF	769	BTR625SUA	735
BTR5419AUK	742	BTR5457	712	BTR5604RWD	722	BTR5790AUE	708	BTR5887LOY	769	BTR625SUA	743
BTR5419LNF	746	BTR5457	713	BTR5604SUA	721	BTR5791AUE	707	BTR5887LUL	766	BTR6250LUM	754
BTR5419LOY	746	BTR5458	712	BTR5604SUA	722	BTR5792AUE	708	BTR5887RWD	766	BTR6251LUM	754
BTR5419RWD	742	BTR5459	712	BTR5624PUB	741	BTR5792LUL	708	BTR5888AUE	766	BTR6252LUM	751
BTR5419SUA	742	BTR5465	714	BTR5652LVC	670	BTR5793AUE	709	BTR5889AUE	766	BTR6253LUM	751
BTR5419SUA	746	BTR5465	715	BTR5652MUK	670	BTR5793AUK	709	BTR5890	758	BTR6254LUM	753
BTR5420AUK	742	BTR5466	714	BTR5653LVC	670	BTR5793LUL	709	BTR5890	759	BTR6255LUM	753
BTR5420LNF	746	BTR5466	715	BTR5653MUK	670	BTR5793RWD	709	BTR5894	710	BTR6256LUM	751
BTR5420LOY	746	BTR5467	714	BTR5654LVC	670	BTR5811AUK	859	BTR5895	710	BTR6257LUM	751
BTR5420RWD	742	BTR5467	715	BTR5654MUK	670	BTR5811LNF	859	BTR5948	581	BTR6258LUM	753
BTR5420SUA	742	BTR5468	714	BTR5655LVC	670	BTR5811LOY	859	BTR5950	677	BTR6259LUM	753
BTR5420SUA	746	BTR5468	715	BTR5655MUK	670	BTR5811LUL	859	BTR6156LNF	731	BTR626LOY	743
BTR5430	758	BTR5472	716	BTR5657LVC	670	BTR5811RWD	859	BTR6156LOY	731	BTR626LUL	735
BTR5430	759	BTR5473	716	BTR5657MUK	670	BTR5811SUA	859	BTR6156SUA	731	BTR626SUA	735
BTR5447AUK	738	BTR5584SMK	790	BTR5658LVC	670	BTR5883RUN	858	BTR6157LNF	731	BTR626SUA	743
BTR5447LNF	744	BTR5585SMK	790	BTR5658MUK	670	BTR5884LNF	860	BTR6157LOY	731	BTR6341	716
BTR5447LOY	744	BTR5586SMK	790	BTR5659LVC	670	BTR5884RUN	860	BTR6157SUA	731	BTR6342	716



# RANGE ROVER 1992 onwards

907

# NUMERICAL INDEX

PART NO	PAGE	PART NO	PAGE	PART NO	PAGE	PART NO	PAGE	PART NO	PAGE	PART NO	PAGE
BTR6343	716	BTR6429LUV	826	BTR6490	433	BTR6711	746	BTR7005LNF	743	BTR724SUA	795
BTR6344	716	BTR6429RWD	826	BTR6490	449	BTR6712AUK	742	BTR7005LOY	743	BTR726LUL	786
BTR6368	859	BTR6429RWD	836	BTR6491	449	BTR6712LNF	746	BTR7005RWD	736	BTR726LUL	795
BTR6369	677	BTR6429SUA	826	BTR6492	433	BTR6712LOY	746	BTR7005SUA	736	BTR726LUV	786
BTR6370	677	BTR6430LUV	823	BTR6492	449	BTR6712RWD	742	BTR7005SUA	743	BTR726LUV	795
BTR6373	428	BTR6430RWD	823	BTR6494	433	BTR6712SUA	742	BTR7032MUL	673	BTR726RWD	795
BTR6374AUK	833	BTR6430RWD	836	BTR6494	449	BTR6712SUA	746	BTR7032PME	671	BTR726RWD	810
BTR6375AUK	833	BTR6430SUA	823	BTR6495	433	BTR6713AUK	742	BTR7033MUL	673	BTR726SUA	786
BTR6376AUK	833	BTR6431LUV	825	BTR6495	449	BTR6713LNF	746	BTR7033PME	671	BTR726SUA	795
BTR6377AUK	833	BTR6431RWD	825	BTR6495	697	BTR6713LOY	746	BTR7034MUL	673	BTR7277LNF	798
BTR6378LUV	826	BTR6431RWD	836	BTR650AUE	784	BTR6713RWD	742	BTR7034PME	671	BTR7277LOY	798
BTR6378RWD	826	BTR6431SUA	825	BTR650LUL	784	BTR6713SUA	742	BTR7035MUL	673	BTR7277SMK	805
BTR6378RWD	836	BTR6432LUV	822	BTR6506	617	BTR6713SUA	746	BTR7035PME	671	BTR7277SMK	813
BTR6378SUA	826	BTR6432RWD	822	BTR655	762	BTR6727	456	BTR7035SUA	673	BTR7277SUA	799
BTR6379LUV	824	BTR6432RWD	836	BTR656	762	BTR6740PUB	659	BTR7037MUL	673	BTR7278LNF	798
BTR6379RWD	824	BTR6432SUA	822	BTR6632	448	BTR6741	431	BTR7037PME	671	BTR7278LOY	798
BTR6379RWD	836	BTR6437AUE	818	BTR6656	504	BTR6741	446	BTR7038MUL	673	BTR7278SMK	805
BTR6379SUA	824	BTR6437LUL	818	BTR6688RUN	693	BTR6968AUE	761	BTR7038PME	671	BTR7278SMK	813
BTR6380LUV	825	BTR6438AUE	817	BTR6689RUN	693	BTR6968AUK	761	BTR7039MUL	673	BTR7278SUA	799
BTR6380RWD	825	BTR6438LUL	817	BTR6690RUN	693	BTR6968LUL	761	BTR7039PME	671	BTR7279AUE	796
BTR6380RWD	836	BTR6484	432	BTR6691RUN	693	BTR6968RWD	761	BTR7071	690	BTR7279LOY	797
BTR6380SUA	825	BTR6484	447	BTR6692RUN	694	BTR6969AUE	761	BTR7072	690	BTR7280AUE	796
BTR6381LUV	822	BTR6485	432	BTR6693RUN	694	BTR6969AUK	761	BTR7173	697	BTR7280LOY	797
BTR6381RWD	822	BTR6485	447	BTR6694RUN	694	BTR6969LUL	761	BTR7174	687	BTR7281	687
BTR6381RWD	836	BTR6486	431	BTR6695RUN	694	BTR6969RWD	761	BTR7175	688	BTR7284LNF	798
BTR6381SUA	822	BTR6487	431	BTR6696RUN	693	BTR7004LNF	743	BTR7231	456	BTR7284LOY	798
BTR6417AUK	833	BTR6488	446	BTR6697RUN	693	BTR7004LOY	743	BTR724LUL	795	BTR7284SMK	805
BTR6418AUK	833	BTR6489	446	BTR6710	742	BTR7004RWD	736	BTR724LUV	795	BTR7284SMK	813
BTR6419AUK	833	BTR649AUE	784	BTR6710	746	BTR7004SUA	736	BTR724RWD	795	BTR7284SUA	799
BTR6420AUK	833	BTR649LUL	784	BTR6711	742	BTR7004SUA	743	BTR724RWD	810	BTR7285LNF	798



PART NO	PAGE	PART NO	PAGE	PART NO	PAGE	PART NO	PAGE	PART NO	PAGE	PART NO	PAGE
BTR7285LOY	798	BTR7383SMK	804	BTR7431LOY	787	BTR7629SUA	829	BTR7740LNF	731	BTR8118AUE	709
BTR7285SMK	805	BTR7383SUA	793	BTR7431SUA	787	BTR7630LNF	828	BTR7740LOY	731	BTR8118AUK	709
BTR7285SMK	813	BTR7384SMK	813	BTR7432LNF	825	BTR7630LOY	828	BTR7740SUA	731	BTR8118LUL	709
BTR7285SUA	799	BTR7386LOY	785	BTR7432LOY	825	BTR7630SUA	828	BTR7741LNF	731	BTR8118RWD	709
BTR7286AUE	796	BTR7386SUA	785	BTR7432SMK	843	BTR7631LNF	828	BTR7741LOY	731	BTR8119AUE	707
BTR7286LOY	797	BTR7387LOY	785	BTR7432SUA	825	BTR7631LOY	828	BTR7741SUA	731	BTR8119AUK	707
BTR7287AUE	796	BTR7387SUA	785	BTR7433LNF	822	BTR7631SMK	846	BTR7742LOY	731	BTR8119LUL	707
BTR7287LOY	797	BTR7392LNF	826	BTR7433LOY	822	BTR7631SUA	828	BTR7742SUA	731	BTR8119RWD	707
BTR7301	456	BTR7392LOY	826	BTR7433SMK	843	BTR7651LNF	829	BTR7743LOY	731	BTR8120AUE	708
BTR7310LNF	569	BTR7392SMK	843	BTR7433SUA	822	BTR7651LOY	829	BTR7743SUA	731	BTR8120LUL	708
BTR7311LNF	569	BTR7392SUA	826	BTR7434LNF	826	BTR7651SMK	846	BTR7763	677	BTR8121AUE	707
BTR7312LNF	570	BTR7393LNF	823	BTR7434LOY	826	BTR7651SUA	829	BTR7764	677	BTR8122AUE	708
BTR7313LNF	570	BTR7393LOY	823	BTR7434SMK	843	BTR7652LNF	828	BTR7929	581	BTR8123	710
BTR7314LNF	569	BTR7393SMK	843	BTR7434SUA	826	BTR7652LOY	828	BTR7958	704	BTR8154	864
BTR7315LNF	569	BTR7393SUA	823	BTR7435LNF	824	BTR7652SMK	846	BTR8068	608	BTR8173LUV	800
BTR7378LNF	793	BTR7394LNF	825	BTR7435LOY	824	BTR7652SUA	828	BTR8083	612	BTR8173RWD	800
BTR7378LOY	793	BTR7394LOY	825	BTR7435SMK	843	BTR7653LNF	827	BTR8084	612	BTR8173RWD	811
BTR7378SMK	804	BTR7394SMK	843	BTR7435SUA	824	BTR7653LOY	827	BTR8096LUM	861	BTR8173SMK	805
BTR7378SUA	793	BTR7394SUA	825	BTR7436LNF	853	BTR7653SMK	846	BTR8097AUE	709	BTR8173SUA	799
BTR7379LNF	794	BTR7395LNF	822	BTR7436LOY	853	BTR7653SUA	827	BTR8097LNF	709	BTR8174LUV	800
BTR7379LOY	794	BTR7395LOY	822	BTR7436SMK	856	BTR7692LNF	504	BTR8097LOY	709	BTR8174RWD	800
BTR7379SMK	804	BTR7395SMK	843	BTR7436SUA	853	BTR7693LNF	504	BTR8098AUE	709	BTR8174RWD	811
BTR7379SUA	794	BTR7395SUA	822	BTR7448LNF	853	BTR7709	677	BTR8098LNF	709	BTR8174SMK	805
BTR7381SMK	813	BTR7429LNF	795	BTR7448LOY	853	BTR7710	677	BTR8098LOY	709	BTR8174SUA	799
BTR7382LNF	792	BTR7429LOY	795	BTR7448SMK	856	BTR7711	677	BTR8099AUE	707	BTR8175LUV	800
BTR7382LOY	792	BTR7429SMK	805	BTR7448SUA	853	BTR7712	677	BTR8099LNF	707	BTR8175RWD	800
BTR7382SMK	804	BTR7429SMK	813	BTR752	612	BTR7713	677	BTR8099LOY	707	BTR8175RWD	811
BTR7382SUA	792	BTR7429SUA	795	BTR7629LNF	829	BTR7714LNF	697	BTR8102AUE	708	BTR8175SMK	805
BTR7383LNF	793	BTR7430LOY	787	BTR7629LOY	829	BTR7729	677	BTR8102LNF	708	BTR8175SUA	799
BTR7383LOY	793	BTR7430SUA	787	BTR7629SMK	846	BTR7730	677	BTR8102LOY	708	BTR8176LUV	800

PART NO	PAGE	PART NO	PAGE	PART NO	PAGE	PART NO	PAGE	PART NO	PAGE	PART NO	PAGE
BTR8176RWD	800	BTR8349	830	BTR8418AUK	807	BTR8449LUL	784	BTR8476LOY	818	BTR8561SUA	726
BTR8176RWD	811	BTR8349	834	BTR8419AUK	807	BTR8452AUE	782	BTR8476LUL	818	BTR8561SUA	734
BTR8176SMK	805	BTR8349	837	BTR8420LUV	793	BTR8453AUE	782	BTR8477AUE	817	BTR8562AUK	727
BTR8176SUA	799	BTR8349	839	BTR8420RWD	793	BTR8456AUK	833	BTR8477LOY	817	BTR8562AUK	734
BTR8183AUK	808	BTR8349	847	BTR8420RWD	810	BTR8457AUK	833	BTR8477LUL	817	BTR8562LNF	734
BTR8184AUK	808	BTR8356LNF	859	BTR8420SUA	793	BTR8458AUK	833	BTR8483PMA	813	BTR8562LOY	734
BTR8185AUK	808	BTR8356RUN	859	BTR8421LUV	794	BTR8459AUK	833	BTR8506PMA	794	BTR8562LUL	727
BTR8186AUK	808	BTR8365SMK	805	BTR8421RWD	794	BTR8462LUV	825	BTR8506PMA	804	BTR8562RWD	727
BTR8213	617	BTR8366SMK	805	BTR8421RWD	810	BTR8462RWD	825	BTR8507PMA	794	BTR8562SUA	727
BTR8220PUB	771	BTR8367SMK	839	BTR8421SUA	794	BTR8462RWD	836	BTR8507PMA	804	BTR8562SUA	734
BTR8221PUB	772	BTR8368SMK	839	BTR8428AUK	807	BTR8462SUA	825	BTR8507PMA	813	BTR8563SUA	747
BTR8222PUB	772	BTR8369SMK	839	BTR8429AUK	807	BTR8463LUV	822	BTR8508PMA	784	BTR8564SUA	747
BTR8229PUB	772	BTR8370SMK	839	BTR8430LUV	792	BTR8463RWD	822	BTR8508PMA	786	BTR8567AUE	761
BTR8230PUB	772	BTR8371SMK	856	BTR8430RWD	792	BTR8463RWD	836	BTR8509PMA	784	BTR8567LUL	761
BTR8244	612	BTR8371SMK	857	BTR8430RWD	810	BTR8463SUA	822	BTR8509PMA	786	BTR8567RWD	761
BTR8266	423	BTR8372SMK	804	BTR8430SUA	792	BTR8464LUV	826	BTR8531	713	BTR8568AUE	761
BTR8281LNF	697	BTR8373SMK	804	BTR8431LUV	793	BTR8464RWD	826	BTR8532	713	BTR8568LUL	761
BTR8330	699	BTR8376SMK	804	BTR8431RWD	793	BTR8464RWD	836	BTR8554AUE	763	BTR8568RWD	761
BTR8332LNF	229	BTR8377SMK	804	BTR8431SUA	793	BTR8464SUA	826	BTR8554LUL	763	BTR8570SUA	673
BTR8333LNF	229	BTR8380SMK	856	BTR8434AUE	792	BTR8465LUV	823	BTR8554RWD	763	BTR8571SUA	673
BTR8334LNF	229	BTR8380SMK	857	BTR8434LUL	792	BTR8465RWD	823	BTR8555AUE	763	BTR8607LNF	795
BTR8336	229	BTR8381SMK	839	BTR8435AUE	792	BTR8465RWD	836	BTR8556AUE	764	BTR8607LOY	786
BTR8341	862	BTR8382SMK	839	BTR8435LUL	792	BTR8465SUA	823	BTR8556RWD	764	BTR8607LOY	795
BTR8348	820	BTR8383SMK	839	BTR8440LUV	785	BTR8474AUE	818	BTR8559	758	BTR8607SMK	805
BTR8348	830	BTR8384SMK	839	BTR8440SUA	785	BTR8474LOY	818	BTR8561AUK	726	BTR8607SMK	813
BTR8348	834	BTR8399	688	BTR8441LUV	785	BTR8474LUL	818	BTR8561AUK	734	BTR8607SUA	786
BTR8348	837	BTR8400	759	BTR8441SUA	785	BTR8475AUE	817	BTR8561LNF	734	BTR8607SUA	795
BTR8348	839	BTR8402	759	BTR8448AUE	784	BTR8475LOY	817	BTR8561LOY	734	BTR8608LNF	795
BTR8348	847	BTR8409LNF	704	BTR8448LUL	784	BTR8475LUL	817	BTR8561LUL	726	BTR8608LOY	786
BTR8349	820	BTR8409SUA	704	BTR8449AUE	784	BTR8476AUE	818	BTR8561RWD	726	BTR8608LOY	795



PART NO	PAGE	PART NO	PAGE	PART NO	PAGE	PART NO	PAGE	PART NO	PAGE	PART NO	PAGE
BTR8608SMK	805	BTR8766	616	BTR9128LNF	704	BTR9371	674	BTR9475	717	BTR9620LOY	776
BTR8608SMK	813	BTR8767	616	BTR9218	699	BTR9372	674	BTR9506	697	BTR9620SUA	776
BTR8608SUA	786	BTR877AUE	765	BTR9242	676	BTR9373	674	BTR9515	688	BTR9621LNF	776
BTR8608SUA	795	BTR877LUL	765	BTR9243	676	BTR9374	674	BTR9521LNF	750	BTR9621LOY	776
BTR8626	695	BTR8770	612	BTR9297LNF	750	BTR9375	674	BTR9521LOY	750	BTR9621SUA	776
BTR8627	695	BTR8772AUE	768	BTR9297LOY	750	BTR9376	674	BTR9521SUA	750	BTR9623	229
BTR8638AUE	767	BTR8772LNF	768	BTR9297SUA	750	BTR9377	674	BTR9526	229	BTR9638LNF	732
BTR8638AUE	769	BTR8772LOY	768	BTR9298LNF	750	BTR9378	674	BTR9527	717	BTR9638LOY	732
BTR8638LNF	769	BTR8773AUE	768	BTR9298LOY	750	BTR9380	759	BTR9527	718	BTR9638SUA	732
BTR8638LOY	769	BTR8773LNF	768	BTR9298SUA	750	BTR9408LUM	755	BTR9528LNF	704	BTR9639LNF	732
BTR8651AUE	763	BTR8773LOY	768	BTR9299LNF	750	BTR9409LUM	755	BTR9529LNF	704	BTR9639LOY	732
BTR8668LUM	752	BTR880LOY	775	BTR9299LOY	750	BTR9410LUM	755	BTR9530	717	BTR9639SUA	732
BTR8668LUM	754	BTR880LUL	775	BTR9299SUA	750	BTR9411LUM	755	BTR9530	718	BTR9640	615
BTR8669LUM	752	BTR880SUA	775	BTR9307LNF	779	BTR9437	688	BTR9532	718	BTR9641	615
BTR8669LUM	754	BTR8807RUN	702	BTR9307LOY	779	BTR9437	692	BTR9533	718	BTR9651	617
BTR8726	437	BTR881LOY	775	BTR9307SUA	779	BTR9437	757	BTR9534	718	BTR9662	617
BTR8727	437	BTR881LUL	775	BTR9308LNF	779	BTR9446AUE	784	BTR9535	718	BTR9663	617
BTR8740LNF	858	BTR881SUA	775	BTR9308LOY	779	BTR9446AUE	795	BTR9536	717	BTR9664	617
BTR8742LNF	858	BTR8838LNF	372	BTR9308SUA	779	BTR9446LOY	784	BTR9537	717	BTR9690	699
BTR8743LNF	858	BTR8839LNF	372	BTR9322	859	BTR9446LOY	795	BTR9547	704	BTR9691LNF	699
BTR8751	718	BTR8841LNF	704	BTR9323	859	BTR9463	718	BTR9613	456	BTR9692PME	675
BTR8752	718	BTR8842	704	BTR9333LNF	688	BTR9464	718	BTR9616	438	BTR9708LNF	750
BTR8753	718	BTR8902LNF	704	BTR9334PMA	687	BTR9465	715	BTR9617	438	BTR9708LOY	750
BTR8754	718	BTR8921	456	BTR9340LNF	508	BTR9465	718	BTR9618LNF	777	BTR9708SUA	750
BTR8755	718	BTR8930	433	BTR9349	210	BTR9466	715	BTR9618LOY	777	BTR9714	699
BTR8756	717	BTR8930	449	BTR9355PMD	582	BTR9466	718	BTR9618SUA	777	BTR9717	699
BTR8757	717	BTR9093LNF	778	BTR9356PMD	582	BTR9467	718	BTR9619LNF	777	BTR9812	699
BTR8763	615	BTR9093LUL	778	BTR9368	759	BTR9472	717	BTR9619LOY	777	BTR9815	699
BTR8764	616	BTR9093RWD	778	BTR9369	759	BTR9473	717	BTR9619SUA	777	BTR9816	699
BTR8765	616	BTR9093SUA	778	BTR9370	674	BTR9474	717	BTR9620LNF	776	BTR9858	699

PART NO	PAGE	PART NO	PAGE	PART NO	PAGE	PART NO	PAGE	PART NO	PAGE	PART NO	PAGE
BTR9888	688	BX116221	297	CN100258L	416	CN100608L	75	CWE10032	653	DBP3067L	316
BTR9889	688	CAC7815	334	CN100258L	424	CN100708	421	CZG1946	521	DBP5840LNF	637
BTR9890	688	CAC7815	337	CN100258L	426	CN100808	397	CZK3264	647	DBP5840RUN	637
BTR9891	688	CCN110	285	CN100258L	71	CN100908	393	CZK8207	639	DBP5841LNF	637
BTR9893PUB	741	CCN110L	264	CN100308	413	CN100908L	392	CZK8207	642	DBP5841RUN	637
BTR9893PUB	745	CDU3609	431	CN100308	437	CN100908L	395	C39377L	573	DBP6532LNF	641
BTR9894PUB	745	CDU3609	446	CN100308	438	CN100908L	396	C393771L	561	DBP6532LNF	644
BTR9903LNF	697	CDU51	203	CN100308L	109	CN101108L	395	C43231L	115	DBP6532LNF	647
BTR9905	754	CJ600144	561	CN100308L	378	CP105121	574	C435997L	386	DBP6532PMA	638
BTR9908	688	CJ600304L	34	CN100308L	380	CP105161L	336	C457593	108	DBP6532RUN	641
BTR9909	688	CLP6234L	448	CN100308L	381	CP108161L	373	DA606061L	783	DBP6532RUN	644
BTR9910LNF	704	CLP6235L	448	CN100308L	382	CP108251	67	DA606061L	789	DBP6532RUN	647
BTR9922	248	CLP6552L	620	CN100308L	420	CP108251L	71	DA606061L	791	DBP6533LNF	641
BTR9924LNF	699	CLP6552L	626	CN100308L	435	CP110161L	373	DA606061L	803	DBP6533LNF	644
BTR9929LNF	704	CLP9089L	316	CN100408L	23	CRC1250	362	DA606061L	806	DBP6533LNF	647
BT606101L	242	CN100128L	398	CN100508	255	CRC1250L	359	DA606061L	808	DBP6533PMA	638
BX110071L	275	CN100168	425	CN100508	395	CRC1487	350	DA606061L	811	DBP6533RUN	641
BX110071L	33	CN100168	427	CN100508	412	CRC1487	355	DA608044L	468	DBP6533RUN	644
BX110071M	272	CN100208L	32	CN100508	413	CRC1487	359	DA608044L	638	DBP6533RUN	647
BX110091L	303	CN100208L	346	CN100508	416	CRC1487	361	DA608044L	641	DGP3970	431
BX110095M	278	CN100208L	416	CN100508	417	CRC1487	362	DA608044L	644	DGP3970	432
BX110095M	279	CN100208L	417	CN100508	420	CRC1487	363	DA608044L	647	DGP3970	446
BX110095M	287	CN100208L	424	CN100508	424	CRC1487	364	DA608044L	660	DGP3970	447
BX110095M	288	CN100208L	426	CN100608	420	CRC2131	346	DA608061	436	DGP6656	561
BX110095M	290	CN100208L	71	CN100608	421	CRC2797	339	DA610044	441	DGP7384L	79
BX110111L	303	CN100258L	32	CN100608L	381	CRC4579L	406	DA610051L	503	DJP8473L	484
BX112091	72	CN100258L	35	CN100608L	394	CRC4579L	409	DBC2022L	512	DRC1170L	597
BX112201	300	CN100258L	395	CN100608L	395	CRC570	338	DBC2022L	514	DRC1170L	599
BX112201	322	CN100258L	396	CN100608L	416	CR120305	26	DBC2022L	516	DRC1170L	601
BX116201L	297	CN100258L	397	CN100608L	418	CWE10032	652	DBC2022L	518	DRC1530	597



RANGE ROVER 1992 onwards

912

NUMERICAL INDEX

PART NO	PAGE	PART NO	PAGE	PART NO	PAGE	PART NO	PAGE	PART NO	PAGE	PART NO	PAGE
DRC1530	599	ERC1353	122	ERC4880	94	ERC8598	113	ERR1107	29	ERR1203	29
DRC1752L	123	ERC1561	33	ERC4949	105	ERC8648	151	ERR1108	21	ERR1203	68
DRC1752L	527	ERC1637	103	ERC4996	14	ERC8847	33	ERR1111	21	ERR1208	35
DRC2481	489	ERC211	103	ERC4996	54	ERC8849	33	ERR1115	45	ERR1209	29
DRC2481	490	ERC2226L	102	ERC5709	24	ERC8864	15	ERR1119M	23	ERR1209	68
DRC2495	489	ERC224	103	ERC573	103	ERC9088	103	ERR1120M	23	ERR1210	29
DRC2495	490	ERC225	103	ERC5829	392	ERC9110	114	ERR1121M	21	ERR1213	19
DRC5377	647	ERC248	106	ERC5830	129	ERC9240	49	ERR1121M	23	ERR1248	19
DRC8584	545	ERC255	112	ERC5830	392	ERC9404	49	ERR1122M	21	ERR1250	120
DZA6330	618	ERC2838	107	ERC5875	110	ERC9404	67	ERR1125	42	ERR1261	112
DZA6330	620	ERC2839	107	ERC5913	27	ERC9404	78	ERR1125	78	ERR1262	112
DZA6330	626	ERC2849	101	ERC5913	65	ERC9404	81	ERR1125	80	ERR1290	114
EAC22723	113	ERC2989	106	ERC5923	27	ERC9410	15	ERR1132	37	ERR1291	19
EAC22723	146	ERC3208	106	ERC5923	65	ERC9410	55	ERR1133	37	ERR1293	42
EAC22723	154	ERC3209	106	ERC614	104	ERC9480	16	ERR1134	37	ERR1295	407
EAC2414L	111	ERC3579	115	ERC6551	50	ERC9480	67	ERR1156	30	ERR1295	42
EAC2415L	111	ERC3690	110	ERC6552	107	ERC9706	25	ERR1156	69	ERR1304	159
EAC32151	113	ERC377	114	ERC675	101	ERR1004	35	ERR1157	30	ERR1304	40
EAM9066L	641	ERC3792	115	ERC675	117	ERR1019	28	ERR1158	30	ERR1351	71
EAM9066L	644	ERC3933	106	ERC675	94	ERR1019	67	ERR117	110	ERR1361	23
EAM9066L	647	ERC416	94	ERC6997	113	ERR1040	60	ERR1173	45	ERR1390	18
EAM9067L	641	ERC417	94	ERC7295	21	ERR1041	60	ERR1174	45	ERR1391	18
EAM9067L	644	ERC4215	115	ERC7295	49	ERR1063	25	ERR1178	25	ERR14	21
EAM9067L	647	ERC4626	114	ERC7295	87	ERR1084	60	ERR1181	17	ERR1404	103
EJP7738	208	ERC4644	14	ERC7295	88	ERR1085	60	ERR1195	21	ERR1440	50
EPE10006LNF	710	ERC4650	17	ERC7321	110	ERR1086	60	ERR1197	29	ERR1471	32
EPE10006RUN	710	ERC4658	50	ERC7865	103	ERR1088	25	ERR1200	40	ERR1471	71
EPE10007LNF	710	ERC4877	94	ERC7929	107	ERR1092	62	ERR1200	79	ERR1475	16
EPE10007RUN	710	ERC4878	94	ERC8408	26	ERR1094	55	ERR1201	29	ERR1536	28
ERC1351	102	ERC4879	94	ERC8501	102	ERR1103	19	ERR1202	29	ERR1548	37





## RANGE ROVER 1992 onwards

913

## NUMERICAL INDEX

PART NO	PAGE	PART NO	PAGE	PART NO	PAGE	PART NO	PAGE	PART NO	PAGE	PART NO	PAGE
ERR1549	36	ERR1939	66	ERR2317	65	ERR2676	129	ERR3276	31	ERR3417	58
ERR1550	36	ERR1972	62	ERR2337	75	ERR2677	129	ERR3277	19	ERR3419	54
ERR1560	61	ERR1973	62	ERR2344	61	ERR2678	128	ERR3283	65	ERR3424	70
ERR1561	61	ERR1985	39	ERR2351	17	ERR2706	76	ERR3284	63	ERR3434	99
ERR1564	56	ERR1986	37	ERR2352	17	ERR2707	76	ERR3286	61	ERR3440	119
ERR1574	129	ERR1990	102	ERR2354	37	ERR2711	27	ERR3287	64	ERR3442	93
ERR1588	129	ERR20	114	ERR2378	63	ERR2732	68	ERR3291	73	ERR3451	48
ERR1589	129	ERR2023	78	ERR2381	37	ERR2767	54	ERR3299	58	ERR3452	48
ERR1604	78	ERR2026	71	ERR2386	36	ERR2773	94	ERR330	113	ERR3453	48
ERR1605	32	ERR2027	81	ERR2393	31	ERR2789	64	ERR3306	79	ERR3457	68
ERR1606	128	ERR2028	38	ERR2396	66	ERR2798	84	ERR3314	75	ERR3468	79
ERR1616	88	ERR2028	77	ERR2405	68	ERR2799	93	ERR3319	75	ERR3479	73
ERR1617	88	ERR2073	126	ERR2409	70	ERR2803	34	ERR3336	78	ERR3481	74
ERR1618	88	ERR2073	128	ERR2410	57	ERR2826	75	ERR3337	79	ERR3490	73
ERR1619	88	ERR2081	67	ERR2418	57	ERR2846	93	ERR3339	79	ERR3492	42
ERR1630	56	ERR2083	76	ERR2419	57	ERR2926	112	ERR3340	102	ERR3493	42
ERR1632	99	ERR2084	76	ERR2428	100	ERR2943	104	ERR3340	27	ERR3539	81
ERR1642	17	ERR2100	56	ERR2429	108	ERR2944	104	ERR3340	65	ERR3545	72
ERR1653	55	ERR2109	80	ERR2443	37	ERR2958	93	ERR3342	68	ERR3545	78
ERR1653	58	ERR2112	56	ERR2490	102	ERR296	36	ERR3343	68	ERR3547	72
ERR1661	39	ERR2215	83	ERR25	21	ERR297	36	ERR3348	79	ERR355	36
ERR1756	112	ERR2216	72	ERR250	35	ERR2985	117	ERR335	42	ERR3579	75
ERR1780	103	ERR2216	78	ERR2529	31	ERR2996	111	ERR335	80	ERR3580	75
ERR1781	103	ERR2220	56	ERR2530	22	ERR3	14	ERR3356	60	ERR3581	75
ERR1782	103	ERR2228	82	ERR2532	50	ERR3005	111	ERR3368	31	ERR3583	75
ERR1807	124	ERR2241	27	ERR2622	574	ERR3037	93	ERR338	34	ERR359	39
ERR1885	129	ERR2241	65	ERR2623	27	ERR3062	119	ERR3380	24	ERR3601	405
ERR1919	54	ERR2264	132	ERR2640	92	ERR3084	71	ERR3381	32	ERR3622	63
ERR1922L	98	ERR2266	64	ERR2671	94	ERR309	26	ERR3400	91	ERR3622	73
ERR1929	129	ERR2284	74	ERR2673	129	ERR319	108	ERR3401	112	ERR3633	58



PART NO	PAGE	PART NO	PAGE	PART NO	PAGE	PART NO	PAGE	PART NO	PAGE	PART NO	PAGE
ERR3648	103	ERR388	23	ERR4152	93	ERR4578	61	ERR4706	71	ERR4894	80
ERR3649	103	ERR390	21	ERR416	146	ERR459	39	ERR4707	56	ERR4895	80
ERR3651	40	ERR3922	49	ERR416	167	ERR4594	93	ERR4708	63	ERR4897	78
ERR3671	119	ERR394	21	ERR416	168	ERR4621	40	ERR4709	72	ERR492	34
ERR3677	96	ERR3987	56	ERR4165	91	ERR4621	79	ERR4710	56	ERR4923	109
ERR3683	58	ERR4019	123	ERR4166	92	ERR4623	101	ERR4717	87	ERR4936	99
ERR371	35	ERR402	25	ERR4170	91	ERR4623	118	ERR4718	87	ERR4937	111
ERR3712	115	ERR4029	41	ERR4171	91	ERR4623	119	ERR4725	78	ERR4944	112
ERR372	35	ERR4037	120	ERR4175	69	ERR4628	103	ERR4738	120	ERR4946	107
ERR3733	82	ERR4046	78	ERR4179	54	ERR4632	70	ERR4739	120	ERR4975	83
ERR3734	63	ERR4047	75	ERR4196	528	ERR4633	96	ERR4740	120	ERR500	26
ERR3735	64	ERR405	167	ERR4247	113	ERR4635	108	ERR4762	113	ERR5008	110
ERR3736	63	ERR4052	119	ERR4323	103	ERR4635	109	ERR4763	113	ERR5009	86
ERR3737	73	ERR4053	117	ERR4404	63	ERR4639	83	ERR4764	113	ERR5010	110
ERR3738	73	ERR4060	93	ERR4419	78	ERR4640	30	ERR4765	113	ERR5023	110
ERR3753	66	ERR4066	117	ERR4421	99	ERR4640	69	ERR4788	124	ERR5024	110
ERR3754	72	ERR4077	100	ERR4461	101	ERR4664	60	ERR4802	80	ERR5027	66
ERR3756	72	ERR4106	407	ERR4513	119	ERR4672	106	ERR4824	61	ERR5034	14
ERR3763	129	ERR4113	120	ERR4521	118	ERR4679	104	ERR4829	88	ERR5034	54
ERR3764	128	ERR4114	120	ERR4530	407	ERR4682	29	ERR4834	70	ERR5041	31
ERR3767	100	ERR4120	61	ERR4537	66	ERR4685	73	ERR4848	68	ERR5041	70
ERR3777	69	ERR4121	124	ERR4538	66	ERR4686	73	ERR4849	346	ERR5055	75
ERR3779	68	ERR4122	124	ERR4539	66	ERR4687	68	ERR4859	85	ERR5057	77
ERR3780	79	ERR4123	124	ERR4543	84	ERR4689	71	ERR4860	60	ERR5087	56
ERR3785	74	ERR4124	124	ERR4556	98	ERR4691	70	ERR4861	54	ERR5098	73
ERR3788	96	ERR4125	124	ERR4574	50	ERR4696	58	ERR4862	75	ERR5099	63
ERR3791	75	ERR4126	124	ERR4574	87	ERR4697	58	ERR4866	93	ERR514	91
ERR3799	124	ERR4127	124	ERR4574	88	ERR4698	80	ERR4870	106	ERR5189	85
ERR3807	84	ERR4128	124	ERR4575	60	ERR4699	74	ERR4883	68	ERR5207	120
ERR3809	58	ERR4129	124	ERR4576	61	ERR4700	74	ERR4892	108	ERR5208	120

PART NO	PAGE	PART NO	PAGE	PART NO	PAGE	PART NO	PAGE	PART NO	PAGE	PART NO	PAGE
ERR5209	120	ERR607	69	ERR816	42	ERR978	28	ESR1253	238	ESR1600	313
ERR5210	123	ERR608	168	ERR845	46	ESR101	404	ESR1257	418	ESR1600	386
ERR5258	99	ERR626	165	ERR848	26	ESR101	406	ESR1258	418	ESR1600	387
ERR5259	63	ERR630	34	ERR850	26	ESR1026	394	ESR1262	412	ESR161	400
ERR5261	28	ERR631	39	ERR852	102	ESR1027	411	ESR1262	413	ESR1611L	392
ERR5262	28	ERR635	21	ERR874	32	ESR1049	396	ESR1262	417	ESR1612	394
ERR5263	28	ERR657	36	ERR874	71	ESR1052	411	ESR1262	419	ESR163	388
ERR528	26	ERR663	31	ERR877	32	ESR1052	413	ESR1326	388	ESR167	400
ERR530	26	ERR666	33	ERR878	32	ESR1053	406	ESR1327	387	ESR1671	412
ERR531	26	ERR667	39	ERR879	32	ESR1054	376	ESR1353	401	ESR1672	412
ERR532	26	ERR675	49	ERR882	32	ESR1056	378	ESR1355	401	ESR1683	399
ERR535	44	ERR690	36	ERR885	39	ESR1056	380	ESR1373	335	ESR1697	399
ERR537	35	ERR696	34	ERR886	39	ESR1056	382	ESR1373	386	ESR1703	193
ERR541	25	ERR703	18	ERR886	74	ESR1057L	392	ESR1373	387	ESR1703	211
ERR542	36	ERR703	57	ERR886	78	ESR1057L	393	ESR1373	389	ESR1703	233
ERR5437	104	ERR705	17	ERR894	39	ESR115	416	ESR1445	393	ESR1703	235
ERR545	35	ERR719	50	ERR894	67	ESR1190	399	ESR1445	397	ESR1796	384
ERR5455	80	ERR719	87	ERR894	74	ESR1217	384	ESR157	415	ESR1797	385
ERR551	110	ERR722	111	ERR894	78	ESR1220	405	ESR1579	351	ESR1800	420
ERR551	42	ERR739	169	ERR896	42	ESR1223	380	ESR1579	356	ESR1803	393
ERR559	29	ERR743	124	ERR900	22	ESR1224	378	ESR1579	394	ESR1803	397
ERR560	29	ERR751	17	ERR900	62	ESR1226	395	ESR1579	396	ESR1804	393
ERR560	68	ERR765	28	ERR913	14	ESR1239	412	ESR1594	193	ESR1807	393
ERR561	30	ERR767	128	ERR913	54	ESR1242	233	ESR1594	211	ESR1818	413
ERR561	69	ERR788	35	ERR914	146	ESR1243	193	ESR1594	233	ESR1821	384
ERR597	35	ERR789	35	ERR914	167	ESR1243	233	ESR1594	235	ESR185	416
ERR597	407	ERR798	117	ERR914	168	ESR1247	193	ESR1594	237	ESR185	426
ERR597	42	ERR809	34	ERR928	26	ESR1250	411	ESR1594	412	ESR1855	407
ERR605	17	ERR810	24	ERR941	112	ESR1253	234	ESR1594	414	ESR1857	396
ERR607	30	ERR810	45	ERR977	34	ESR1253	236	ESR1594	422	ESR1859	396

PART NO	PAGE	PART NO	PAGE	PART NO	PAGE	PART NO	PAGE	PART NO	PAGE	PART NO	PAGE
ESR1860	396	ESR2219	399	ESR2630	413	ESR2943	418	ESR3296	420	ESR63	427
ESR1862	396	ESR2219	401	ESR2634	413	ESR2945	408	ESR3297	411	ESR74	411
ESR1863	396	ESR2220	399	ESR2637	385	ESR2958	483	ESR3297	413	ESR75	411
ESR1887	407	ESR2220	401	ESR2638	384	ESR2965	397	ESR354	387	ETC1260	101
ESR1895	382	ESR2249	235	ESR2639	384	ESR2991	388	ESR354	389	ETC1260	147
ESR1896	382	ESR2252	233	ESR2643	380	ESR2992	388	ESR355	412	ETC1275	101
ESR1897	382	ESR2253	233	ESR2661	427	ESR2994	388	ESR356	412	ETC1275	147
ESR1899	382	ESR2259	405	ESR2662	420	ESR2995	388	ESR357	426	ETC4021	27
ESR1901	376	ESR2260	388	ESR2664	235	ESR3025	421	ESR368	398	ETC4068	30
ESR1901	378	ESR2263	418	ESR267	388	ESR3059	405	ESR369	398	ETC4068	69
ESR1905	418	ESR2311	237	ESR2739	407	ESR3060	405	ESR387	381	ETC4069	30
ESR1909	424	ESR2312	407	ESR2806	211	ESR3061	405	ESR387	383	ETC4069	69
ESR1909	426	ESR2327	378	ESR2806	235	ESR3063	405	ESR436	663	ETC4076	33
ESR1931	422	ESR2327	380	ESR2806	237	ESR3098	414	ESR451	387	ETC4154	21
ESR2012	396	ESR2348	427	ESR2808	211	ESR3117	386	ESR452	387	ETC4246	30
ESR2033	403	ESR2364	384	ESR2809	211	ESR3147	420	ESR460	379	ETC4246	69
ESR2034	407	ESR2366	408	ESR2810	235	ESR3150	397	ESR461	379	ETC4276	102
ESR2067	393	ESR2380	407	ESR2813	414	ESR3226	413	ESR461	380	ETC4330	93
ESR2067	397	ESR2406	393	ESR2814	414	ESR3228	237	ESR500	384	ETC4330	94
ESR2087	408	ESR2416	237	ESR2825	388	ESR3239	237	ESR501	384	ETC4390	17
ESR2093	193	ESR2422	74	ESR2834	382	ESR3240	237	ESR502	385	ETC4524	403
ESR2094	193	ESR2423	403	ESR2844	422	ESR3247	397	ESR522	426	ETC4524	405
ESR2131	408	ESR2491	420	ESR2847	413	ESR3248	393	ESR522L	416	ETC4529	14
ESR2143	425	ESR2579	237	ESR2848	419	ESR3250	384	ESR560	403	ETC4596	108
ESR2143	427	ESR2584	380	ESR2849	419	ESR3251	384	ESR562	400	ETC4616	44
ESR2150	397	ESR2585	378	ESR2910	421	ESR3260	42	ESR578	376	ETC4670	33
ESR2167	412	ESR259	386	ESR2911	421	ESR3267	385	ESR578	378	ETC4765	108
ESR2188	385	ESR2592	419	ESR2912	421	ESR3268	385	ESR63	424	ETC4880	25
ESR2189	385	ESR2593	413	ESR2913	421	ESR3275	419	ESR63	425	ETC4922	54
ESR2218	399	ESR2593	419	ESR2932	418	ESR3276	419	ESR63	426	ETC4992	14



## RANGE ROVER 1992 onwards

917

## NUMERICAL INDEX

PART NO	PAGE	PART NO	PAGE	PART NO	PAGE	PART NO	PAGE	PART NO	PAGE	PART NO	PAGE
ETC5064	21	ETC6503	108	ETC7339	94	ETC7887	115	ETC8470	40	ETC8833	102
ETC5065	21	ETC6505	114	ETC7345	99	ETC7929	16	ETC8494	111	ETC8847	28
ETC5276	27	ETC6531	15	ETC7353	112	ETC7970	38	ETC8495	112	ETC8847	66
ETC5422	101	ETC6531	55	ETC7357	18	ETC7971	125	ETC8496	109	ETC8852	46
ETC5423	101	ETC6532	15	ETC7357	57	ETC7996	94	ETC8550	22	ETC8853	21
ETC5499	101	ETC6532	55	ETC7385	99	ETC8001	28	ETC8559	129	ETC9004	169
ETC5499	24	ETC6547	108	ETC7398	27	ETC8002	28	ETC8560	22	ETC9009	166
ETC5524	115	ETC6607	117	ETC7419	94	ETC8003	28	ETC8560	62	ETC9009	46
ETC5577	35	ETC6647	94	ETC7427	122	ETC8003	66	ETC8596	103	ETC9011	169
ETC5577	67	ETC6660	112	ETC7461	41	ETC8007	34	ETC8610	124	ETC9012	166
ETC5577	74	ETC6661	111	ETC7461E	41	ETC8031	28	ETC8611	124	ETC9014	166
ETC5592	15	ETC6874	113	ETC7463	42	ETC8031	67	ETC8612	124	ETC9039	167
ETC5592	55	ETC6889	108	ETC7469	47	ETC8036	28	ETC8613	124	ETC9043	139
ETC5679	93	ETC6890	108	ETC7513	407	ETC8074	14	ETC8614	124	ETC9044	139
ETC5690	118	ETC6913	111	ETC7514	42	ETC8074	54	ETC8615	124	ETC9058	169
ETC5964	104	ETC7128	33	ETC7528	45	ETC8086	18	ETC8616	124	ETC9062	169
ETC5967	34	ETC7149	115	ETC7530	29	ETC8095	29	ETC8617	124	ETC9063	172
ETC6093	125	ETC7150	115	ETC7667	35	ETC8103	29	ETC8663	30	ETC9064	148
ETC6104	100	ETC7181	113	ETC7668M	115	ETC8191	18	ETC8663	69	ETC9064	412
ETC6135	108	ETC7184	42	ETC7769	115	ETC8191	57	ETC8679	106	ETC9064	415
ETC6148	100	ETC7238	24	ETC7801	91	ETC8193	30	ETC8680	106	ETC9064	416
ETC6148	118	ETC7244	124	ETC7802	92	ETC8193	69	ETC8684	103	ETC9065	148
ETC6159	118	ETC7286	18	ETC7819	104	ETC8194	28	ETC8686	107	ETC9065	412
ETC6214	112	ETC7306	113	ETC7869	38	ETC8197	40	ETC8765	129	ETC9065	415
ETC6222	112	ETC7313	36	ETC7870	115	ETC8352	14	ETC8808	28	ETC9065	416
ETC6223	112	ETC7322	122	ETC7874	113	ETC8352	54	ETC8808	66	ETC9073	166
ETC6237	125	ETC7325	113	ETC7875	115	ETC8412	40	ETC8809	28	ETC9073	169
ETC6375	111	ETC7329	36	ETC7884	115	ETC8440	129	ETC8810	28	ETC9074	165
ETC6408	117	ETC7329	37	ETC7884	248	ETC8442	14	ETC8810	66	ETC9075	165
ETC6444	108	ETC7339	93	ETC7886	115	ETC8442	54	ETC8820	42	ETC9076	165







# RANGE ROVER 1992 onwards

918

# NUMERICAL INDEX

PART NO	PAGE	PART NO	PAGE	PART NO	PAGE	PART NO	PAGE	PART NO	PAGE	PART NO	PAGE
ETC9083	126	FB108111L	203	FB505181	114	FN108041L	557	FRC2310	273	FRC2886	272
ETC9096	169	FB108111L	210	FB505251S	99	FN108041L	558	FRC2310	287	FRC2886	274
ETC9101	165	FB108121	191	FB505311S	99	FN108041L	594	FRC2349	266	FRC2894	272
ETC9104N	135	FB108121L	19	FB505381S	99	FN108041L	68	FRC2349	267	FRC2894	275
ETC9111	166	FB108121L	210	FB506267	119	FN108041L	74	FRC2349	269	FRC2897	272
FBR10001LOY	689	FB108121L	34	FFU10004	689	FN108041L	76	FRC2365	179	FRC2897	275
FBR10001SUA	689	FB108121L	816	FFV10002	689	FN108041L	78	FRC2365	241	FRC2933	264
FB106071	31	FB108131L	63	FM10	351	FN108041L	79	FRC2402	197	FRC2933	285
FB106081L	34	FB108141L	21	FM10	356	FN108041L	83	FRC2402	198	FRC2975	175
FB106081L	359	FB108161L	21	FM10	360	FN108041L	86	FRC2464	246	FRC2975	198
FB106111L	71	FB108161L	60	FM10	361	FN108045	36	FRC2481	175	FRC3002	263
FB106121L	32	FB108171L	203	FM10	362	FN110041L	166	FRC2481	189	FRC3002	284
FB108051	78	FB108171L	74	FM10	364	FN110041L	22	FRC2481	197	FRC3205	273
FB108061	191	FB108181	35	FM106041	558	FN110041L	307	FRC2481	198	FRC3205	276
FB108061	272	FB108181L	838	FN105041	85	FN110041L	391	FRC2482	241	FRC3205	287
FB108071L	21	FB108197	119	FN106041	202	FN110041L	48	FRC2482	54	FRC3286	244
FB108071L	60	FB108201L	61	FN106047L	529	FN110041L	543	FRC2528	175	FRC3327	197
FB108071L	61	FB108221	61	FN108041	156	FN110041L	585	FRC2528	198	FRC3416	197
FB108081	248	FB108241L	63	FN108041	157	FN110041L	62	FRC2626	191	FRC3502	249
FB108081L	203	FB108251	19	FN108041	328	FN110041L	63	FRC2626	210	FRC3502	250
FB108081L	32	FB108251	45	FN108041L	117	FN110041L	86	FRC2644	269	FRC3502	251
FB108081L	61	FB108251	85	FN108041L	129	FN110047	306	FRC2859	177	FRC3602	246
FB108101	191	FB108261	63	FN108041L	23	FN110047	309	FRC2859	202	FRC4112	262
FB108101	197	FB110071L	87	FN108041L	35	FN110047	373	FRC2859	214	FRC4282	179
FB108101	198	FB110131L	62	FN108041L	39	FRC1193	283	FRC2883	272	FRC4321	185
FB108101	29	FB110141L	215	FN108041L	40	FRC1195	283	FRC2883	274	FRC4327	180
FB108101	61	FB110141L	22	FN108041L	417	FRC1197	283	FRC2884	272	FRC4329	180
FB108101	68	FB110141L	87	FN108041L	45	FRC1199	283	FRC2884	274	FRC4331	180
FB108101	78	FB110151L	119	FN108041L	474	FRC1201	283	FRC2885	272	FRC4333	180
FB108111	191	FB110301L	215	FN108041L	535	FRC1203	283	FRC2885	274	FRC4335	180



PART NO	PAGE	PART NO	PAGE	PART NO	PAGE	PART NO	PAGE	PART NO	PAGE	PART NO	PAGE
FRC4337	180	FRC5004	133	FRC5981	215	FRC6788	268	FRC7851	133	FRC8482	189
FRC4339	180	FRC5095	187	FRC6145	178	FRC6788	270	FRC7855	203	FRC8485	188
FRC4341	180	FRC5186	187	FRC6145	199	FRC6788	289	FRC7893	227	FRC8490	190
FRC4343	180	FRC5204	262	FRC6154	176	FRC6788	292	FRC8002	277	FRC8505	191
FRC4345	180	FRC5204	283	FRC6244	179	FRC6789	268	FRC8002	287	FRC8507	190
FRC4347	180	FRC5235	185	FRC6318	190	FRC6789	270	FRC8005	287	FRC8507	210
FRC4349	180	FRC5255	197	FRC6782	268	FRC6789	289	FRC8093	249	FRC8517	190
FRC4351	180	FRC5280	185	FRC6782	270	FRC6789	292	FRC8104	179	FRC8520	190
FRC4353	180	FRC5280	207	FRC6782	289	FRC6790	268	FRC8127	209	FRC8520	210
FRC4355	180	FRC5284	185	FRC6782	292	FRC6790	270	FRC8154	263	FRC8528	266
FRC4357	180	FRC5286	185	FRC6783	268	FRC6790	289	FRC8154	284	FRC8528	269
FRC4359	180	FRC5288	185	FRC6783	270	FRC6790	292	FRC8170	189	FRC8530	266
FRC4361	180	FRC5290	185	FRC6783	289	FRC6915	229	FRC8220	263	FRC8530	267
FRC4363	180	FRC5292	185	FRC6783	292	FRC6915	230	FRC8220	284	FRC8530	269
FRC4365	180	FRC5294	185	FRC6784	268	FRC7018	188	FRC8222	277	FRC8547	248
FRC4367	180	FRC5296	185	FRC6784	270	FRC7042	133	FRC8222	287	FRC8547	372
FRC4369	180	FRC5298	185	FRC6784	289	FRC7043	242	FRC8227	277	FRC8548	248
FRC4449	179	FRC5300	185	FRC6784	292	FRC7043	246	FRC8227	287	FRC8548	373
FRC4493	179	FRC5302	185	FRC6785	268	FRC7065	266	FRC8232	182	FRC8570	176
FRC4494	179	FRC5438	246	FRC6785	270	FRC7065	267	FRC8232	185	FRC8698	229
FRC4499	248	FRC5575	227	FRC6785	289	FRC7075	133	FRC8239	189	FRC8698	231
FRC4501	179	FRC5661	262	FRC6785	292	FRC7080	133	FRC8239	209	FRC8700	277
FRC4803	175	FRC5661	283	FRC6786	268	FRC7081	133	FRC8246	187	FRC8700	278
FRC4803	198	FRC5690	283	FRC6786	270	FRC7192	189	FRC8285	187	FRC8700	279
FRC4808	42	FRC5926	277	FRC6786	289	FRC7214	186	FRC8382	187	FRC8700	287
FRC4808	67	FRC5926	278	FRC6786	292	FRC7500	227	FRC8383	178	FRC8700	289
FRC4808	80	FRC5926	279	FRC6787	268	FRC7630	229	FRC8387	256	FRC8700	292
FRC4810	179	FRC5926	287	FRC6787	270	FRC7630	230	FRC8389	256	FRC8707	228
FRC4905	189	FRC5926	289	FRC6787	289	FRC7706	215	FRC8394	248	FRC8707	230
FRC4947	187	FRC5926	292	FRC6787	292	FRC7707	215	FRC8481	189	FRC8708	229



# RANGE ROVER 1992 onwards

## 920

# NUMERICAL INDEX

PART NO	PAGE	PART NO	PAGE	PART NO	PAGE	PART NO	PAGE	PART NO	PAGE	PART NO	PAGE
FRC8708	231	FRC9220	228	FRC9985	190	FS106167L	381	FS106255L	300	FS108201L	39
FRC8709	228	FRC9310	179	FRC9985	210	FS106167L	382	FS106255L	307	FS108201L	415
FRC8709	230	FRC9339	244	FS105107	19	FS106167L	403	FS108121	61	FS108201L	417
FRC8711	228	FRC9340	210	FS105107	48	FS106167L	406	FS108121	63	FS108201L	45
FRC8711	230	FRC9357	229	FS105107	537	FS106167L	408	FS108121	64	FS108201L	55
FRC8712	228	FRC9357	230	FS105107	633	FS106167L	418	FS108121	82	FS108201L	58
FRC8712	230	FRC9359	229	FS105107	74	FS106167L	424	FS108161L	229	FS108201L	67
FRC8742	228	FRC9359	231	FS105107	76	FS106167L	426	FS108161L	311	FS108201L	71
FRC8742	230	FRC9427	178	FS106101L	198	FS106167L	474	FS108161L	312	FS108201L	75
FRC8743	229	FRC9427	227	FS106101L	228	FS106167L	557	FS108161L	409	FS108201L	78
FRC8743	230	FRC9427	243	FS106121	78	FS106167L	580	FS108161L	550	FS108201L	80
FRC8744	229	FRC9430	178	FS106161	170	FS106167L	584	FS108161L	553	FS108201L	81
FRC8744	230	FRC9430	203	FS106161	211	FS106167L	620	FS108161L	58	FS108201L	82
FRC8758	176	FRC9518	266	FS106161	235	FS106167L	622	FS108161L	67	FS108201L	88
FRC8776	190	FRC9519	266	FS106161	237	FS106167L	626	FS108161L	72	FS108205	36
FRC8793	190	FRC9526	185	FS106161	327	FS106167L	821	FS108161L	76	FS108207	161
FRC8816	248	FRC9540	241	FS106161	399	FS106167L	831	FS108161L	78	FS108207L	300
FRC8825	248	FRC9541	241	FS106161L	425	FS106167L	835	FS108161L	82	FS108251	373
FRC8854	360	FRC9542	255	FS106161L	427	FS106167L	838	FS108161ML	88	FS108251	399
FRC8855	361	FRC9568	172	FS106161ML	199	FS106167L	840	FS108201	303	FS108251L	129
FRC8882	188	FRC9568	175	FS106167	189	FS106167L	848	FS108201L	117	FS108251L	16
FRC8915	190	FRC9568	197	FS106167	191	FS106201	142	FS108201L	123	FS108251L	19
FRC9028	190	FRC9568	198	FS106167	193	FS106201	179	FS108201L	129	FS108251L	197
FRC9028	210	FRC9693	326	FS106167	45	FS106201	191	FS108201L	169	FS108251L	198
FRC9126	365	FRC9792	182	FS106167	65	FS106201	327	FS108201L	17	FS108251L	21
FRC9203	133	FRC9796	248	FS106167	72	FS106201L	562	FS108201L	25	FS108251L	26
FRC9205	133	FRC9797	248	FS106167L	233	FS106201L	582	FS108201L	26	FS108251L	28
FRC9207	133	FRC9803	178	FS106167L	33	FS106201L	610	FS108201L	307	FS108251L	32
FRC9209	133	FRC9803	199	FS106167L	332	FS106201L	78	FS108201L	35	FS108251L	34
FRC9211	133	FRC9812	185	FS106167L	365	FS106255L	202	FS108201L	386	FS108251L	54



PART NO	PAGE	PART NO	PAGE	PART NO	PAGE	PART NO	PAGE	PART NO	PAGE	PART NO	PAGE
FS108251L	60	FS110301L	86	FTC1323	366	FTC1404	179	FTC1908	190	FTC2175	261
FS108251L	61	FS110301L	87	FTC1329	185	FTC1426	181	FTC1926	258	FTC2176	282
FS108251L	71	FS110301L	88	FTC1356	217	FTC1435	187	FTC1927	258	FTC2192	178
FS108251L	73	FS112401L	201	FTC1357	217	FTC1441	179	FTC1929	257	FTC2193	188
FS108251L	84	FS504047	111	FTC1359	186	FTC1441	203	FTC1930	280	FTC2193	209
FS108251ML	204	FS504047	115	FTC1360	185	FTC1457	277	FTC1931	280	FTC2199	190
FS108257	100	FS504055	99	FTC1362	350	FTC1457	287	FTC1935	257	FTC2199	210
FS108301	85	FTC1045	248	FTC1362	356	FTC1482	179	FTC1936	280	FTC2202	188
FS108301L	123	FTC1073	186	FTC1363	350	FTC1488	188	FTC1937	280	FTC2203	188
FS108301L	19	FTC1074	186	FTC1363	356	FTC1489	188	FTC1982	183	FTC2203	209
FS108301L	203	FTC1112	181	FTC1364	274	FTC1494	179	FTC1987	190	FTC2214	351
FS108301L	229	FTC122	255	FTC1365	274	FTC1499	326	FTC1988	190	FTC2214	356
FS108301L	45	FTC124	274	FTC1366	274	FTC1512	189	FTC1989	183	FTC2215	351
FS108301L	63	FTC1242RUN	248	FTC1367	274	FTC1525	194	FTC2001	132	FTC2215	356
FS108301L	77	FTC1245RUN	191	FTC1368	369	FTC1525	234	FTC2002	132	FTC2223	260
FS108351	189	FTC125	269	FTC1372	366	FTC1525	236	FTC2005	184	FTC2268	281
FS108351	372	FTC1270	176	FTC1372	369	FTC1525	238	FTC2005	205	FTC2269	281
FS108351L	129	FTC1271	175	FTC1373	366	FTC1533	179	FTC2005	207	FTC2282	183
FS108351L	210	FTC1271	197	FTC1373	369	FTC1564N	240	FTC2006	184	FTC2283	184
FS110301	171	FTC1282	181	FTC1374	274	FTC1566	240	FTC2007	184	FTC2284	184
FS110301	378	FTC1301	184	FTC1374	370	FTC1616	276	FTC2008	184	FTC2285	183
FS110301	83	FTC1310	182	FTC1376	274	FTC1617	276	FTC2009	184	FTC2383	203
FS110301	84	FTC1311	183	FTC1377	288	FTC1620	273	FTC2065	276	FTC2385	208
FS110301L	27	FTC1311	205	FTC1377	290	FTC1621	273	FTC2066	276	FTC2396	205
FS110301L	380	FTC1311	206	FTC1378	288	FTC1623	273	FTC2069	217	FTC2396	206
FS110301L	387	FTC1311	207	FTC1378	291	FTC1626	276	FTC2145	248	FTC2397	205
FS110301L	46	FTC1312	183	FTC1379	370	FTC1709N	262	FTC2146	248	FTC2397	206
FS110301L	48	FTC1313	182	FTC1381	366	FTC1709N	283	FTC2149	172	FTC2448	190
FS110301L	49	FTC1316	188	FTC1381	369	FTC1752	184	FTC2149	50	FTC2450	188
FS110301L	65	FTC1322	366	FTC1403	179	FTC1791	185	FTC2175	260	FTC2461	183



# RANGE ROVER 1992 onwards

## 922

# NUMERICAL INDEX

PART NO	PAGE	PART NO	PAGE	PART NO	PAGE	PART NO	PAGE	PART NO	PAGE	PART NO	PAGE
FTC2462	183	FTC2601	366	FTC2783	277	FTC291	186	FTC3146	269	FTC3270	288
FTC248	186	FTC2601	369	FTC2783	278	FTC293	186	FTC3147	269	FTC3270	290
FTC248	208	FTC2601	371	FTC2783	279	FTC2941	208	FTC3148	267	FTC3271	288
FTC2497	230	FTC263	186	FTC2783	287	FTC2945	208	FTC3149	267	FTC3271	290
FTC2498	175	FTC265	186	FTC2783	288	FTC2946	207	FTC316	180	FTC3272	262
FTC2504	182	FTC267	186	FTC2783	291	FTC2948	205	FTC317	186	FTC3272	283
FTC2505	182	FTC2687	203	FTC279	186	FTC295	186	FTC317	208	FTC3272R	262
FTC2509	260	FTC269	186	FTC281	186	FTC2957	175	FTC3179	278	FTC3272R	283
FTC2510	257	FTC2703	228	FTC2822	180	FTC2957	197	FTC3179	279	FTC3283	230
FTC2511	257	FTC271	186	FTC2823	176	FTC3084	259	FTC3179	289	FTC3294	280
FTC2512	257	FTC2712	206	FTC2823	49	FTC3085	259	FTC3179	292	FTC3299	368
FTC2512	258	FTC2714	205	FTC2824	176	FTC3086	257	FTC3183	273	FTC3299	370
FTC2513	257	FTC2716	205	FTC2824	49	FTC3087	257	FTC3183	275	FTC3299	371
FTC2513	258	FTC2720	207	FTC283	186	FTC3088	257	FTC3185	278	FTC3308	271
FTC2520	271	FTC2723	208	FTC2849	229	FTC3089	257	FTC3185	279	FTC3308	274
FTC2521	271	FTC2724	208	FTC285	186	FTC3094	280	FTC3185	289	FTC3309	271
FTC2522	271	FTC2725	208	FTC2856	229	FTC3095	280	FTC3185	292	FTC3309	274
FTC2523	271	FTC2727	207	FTC287	186	FTC3099	213	FTC3186	288	FTC3310	271
FTC2524	271	FTC273	186	FTC2871	213	FTC3099R	213	FTC3186	290	FTC3310	274
FTC2524	274	FTC2731	207	FTC2871R	213	FTC3118	261	FTC3187	288	FTC3311	271
FTC2525	271	FTC2733	205	FTC2880	266	FTC3121	259	FTC3187	290	FTC3311	274
FTC2525	274	FTC2737	204	FTC2880	267	FTC3122	259	FTC3188	288	FTC3320	369
FTC2526	271	FTC275	186	FTC2881	266	FTC3126	280	FTC3188	291	FTC3320	371
FTC2526	274	FTC2750	262	FTC2881	267	FTC3127	280	FTC3200	248	FTC3321	369
FTC2527	271	FTC2750	283	FTC2882	272	FTC3128	281	FTC3267	264	FTC3321	371
FTC2527	274	FTC2750R	262	FTC2885	209	FTC3129	281	FTC3267	285	FTC3370	209
FTC2582	208	FTC2750R	283	FTC2887	206	FTC3145	273	FTC3268	264	FTC3371	207
FTC2600	366	FTC2756	213	FTC289	186	FTC3145	275	FTC3268	285	FTC3375	365
FTC2600	369	FTC2756R	213	FTC2890	248	FTC3145	288	FTC3269	264	FTC3375	368
FTC2600	371	FTC277	186	FTC2903	228	FTC3145	291	FTC3269	285	FTC3375	370



PART NO	PAGE	PART NO	PAGE	PART NO	PAGE	PART NO	PAGE	PART NO	PAGE	PART NO	PAGE
FTC3381	209	FTC3648	273	FTC3763	199	FTC3865	265	FTC3895	262	FTC4011	183
FTC3382	188	FTC3648	276	FTC3765	199	FTC3865	286	FTC3895	284	FTC4021	203
FTC3382	199	FTC3670	271	FTC3767	199	FTC3867	265	FTC3903	248	FTC4024	280
FTC3382	209	FTC3670	274	FTC3769	200	FTC3867	286	FTC3907	228	FTC4025	280
FTC3387	203	FTC3696	204	FTC3771	200	FTC3869	262	FTC3908	230	FTC4026	191
FTC3391	208	FTC3697	207	FTC3773	200	FTC3869	284	FTC3909	228	FTC4043	256
FTC3401	266	FTC3699	207	FTC3775	200	FTC3871	262	FTC3910	256	FTC4044	256
FTC3401	267	FTC3701	203	FTC3777	200	FTC3871	284	FTC3911	197	FTC4050	88
FTC3401	269	FTC3703	204	FTC3779	200	FTC3873	262	FTC3911	198	FTC4052	88
FTC3434	281	FTC3705	256	FTC3781	200	FTC3873	284	FTC3912	197	FTC4053	203
FTC3435	281	FTC3706	284	FTC3783	200	FTC3875	262	FTC3913	198	FTC4056	199
FTC3436	281	FTC3707	284	FTC3785	200	FTC3875	284	FTC3921	201	FTC4082	190
FTC3437	281	FTC3711	203	FTC3787	200	FTC3877	262	FTC3922	201	FTC4087	183
FTC3445	248	FTC3713	203	FTC3807	210	FTC3877	284	FTC3927	204	FTC4108	199
FTC3449	248	FTC3715	209	FTC3845	209	FTC3879	262	FTC3928	204	FTC4110	248
FTC3454	267	FTC3723	283	FTC3847	208	FTC3879	284	FTC3951	207	FTC4112	178
FTC3454	269	FTC3727	229	FTC3848	199	FTC3881	262	FTC3953	207	FTC4112	199
FTC3456	267	FTC3729	284	FTC3850	208	FTC3881	284	FTC3955	207	FTC4122	210
FTC3456	269	FTC3739	199	FTC3853	265	FTC3883	262	FTC3957	207	FTC4123	210
FTC347	181	FTC3741	199	FTC3853	286	FTC3883	284	FTC3959	207	FTC4124	210
FTC3581	209	FTC3743	199	FTC3855	265	FTC3885	262	FTC3961	207	FTC4125	210
FTC3582	209	FTC3745	199	FTC3855	286	FTC3885	284	FTC3963	207	FTC4129	191
FTC3583	209	FTC3747	199	FTC3857	265	FTC3887	262	FTC3965	207	FTC4131	199
FTC3584	205	FTC3749	199	FTC3857	286	FTC3887	284	FTC3967	207	FTC4171	205
FTC3584	206	FTC3751	199	FTC3859	265	FTC3889	262	FTC3969	207	FTC4171	206
FTC3586	264	FTC3753	199	FTC3859	286	FTC3889	284	FTC3976	228	FTC4171	207
FTC3620	264	FTC3755	199	FTC3861	265	FTC3891	262	FTC4007	183	FTC4172	205
FTC3620	285	FTC3757	199	FTC3861	286	FTC3891	284	FTC4008	184	FTC4172	206
FTC3623	179	FTC3759	199	FTC3863	265	FTC3893	262	FTC4009	183	FTC419	186
FTC3647	275	FTC3761	199	FTC3863	286	FTC3893	284	FTC4010	184	FTC4204	87

PART NO	PAGE	PART NO	PAGE	PART NO	PAGE	PART NO	PAGE	PART NO	PAGE	PART NO	PAGE
FTC4206	203	FTC4557	88	FTC859	292	FX108047	85	JRC1775LNF	640	MRC206	423
FTC4213	88	FTC547	249	FTC860	278	FX110041L	59	JRC1775LNF	643	MRC218	423
FTC4241	203	FTC56	273	FTC860	279	FX110041L	74	JRC1775LNF	645	MRC2371	815
FTC4242	207	FTC56	276	FTC860	288	FX112041L	59	JRC1775PMA	638	MRC3661	815
FTC4245	207	FTC566	228	FTC860	291	FX112041L	97	JRC1775RUN	640	MRC3662	815
FTC4249	209	FTC566	230	FTC861	273	FYP10003	689	JRC1775RUN	643	MRC4283AUK	692
FTC4296	200	FTC57	273	FTC861	275	GG106251L	614	JRC1775RUN	645	MRC4283AUK	724
FTC4298	200	FTC575	172	FTC862	269	GG106301L	623	JRC6792RHT	672	MRC4283AUK	729
FTC4300	200	FTC575	50	FTC863	269	GG108251L	334	JRC6792RHT	675	MRC4283AUK	851
FTC4302	200	FTC575	87	FTC870	290	GG108251L	339	JRC7549	855	MRC4283LNF	851
FTC4304	200	FTC578	229	FTC871	290	GG108251L	404	JRC7549	856	MRC4283LOY	851
FTC4306	200	FTC578	231	FTC890	179	GG108251L	406	JRC7549	857	MRC4283LUL	724
FTC4308	200	FTC580	248	FTC890	227	GG108251L	408	KTP9024	411	MRC4283LUL	729
FTC4310	200	FTC622	248	FTC902	365	GG108251L	409	KTP9687	415	MRC4283LUL	851
FTC4312	200	FTC623	248	FTC916	185	GG108251L	553	LRNA5114	468	MRC4283RWD	692
FTC4314	200	FTC624	248	FTC917	180	GG108301	340	LYG10040L	210	MRC4283RWD	724
FTC4316	200	FTC625	248	FTC921	181	GG108301	341	LYQ100050	203	MRC4283RWD	729
FTC4318	200	FTC657	246	FTC943	266	GL106251	439	MM10	351	MRC4283RWD	851
FTC4320	200	FTC781	264	FTC943	267	GU108501L	656	MM10	356	MRC4283SUA	692
FTC4322	200	FTC781	285	FTC943	270	HN2005L	541	MM10	360	MRC4283SUA	724
FTC4324	200	FTC782R	262	FTC943	287	HN2005L	571	MM10	361	MRC4283SUA	729
FTC4326	200	FTC782R	283	FTC943	292	HN2005L	815	MM10	362	MRC4283SUA	851
FTC4413	260	FTC815	194	FTC950	291	HN2005L	849	MM10	364	MRC4705	654
FTC4417	260	FTC815	234	FTC951	287	HN2005L	871	MM106301L	865	MRC5528	526
FTC4449	203	FTC839	248	FTC951	288	HTG10014	448	MRC1390	849	MRC5528	608
FTC4458	209	FTC840	273	FTC951	291	JAM3254L	148	MRC1391	849	MRC5528	702
FTC4483	203	FTC840	275	FTP8015	417	JAM3255L	162	MRC1530RUN	815	MRC7133	472
FTC4524	207	FTC858	275	FTP8020	415	JAM3256L	149	MRC168	612	MRC7133	473
FTC4536	209	FTC859	278	FXB10002	689	JAM3256L	162	MRC1785	815	MRC7133	474
FTC4537	210	FTC859	279	FX108041L	63	JRC1775LNF	638	MRC1786	815	MRC7166	637

PART NO	PAGE	PART NO	PAGE	PART NO	PAGE	PART NO	PAGE	PART NO	PAGE	PART NO	PAGE
MRC7257	658	MTC6264	640	MTC7553	658	MTC9319LUL	766	MTC9665	747	MUC1208	684
MRC7399	719	MTC6264	643	MTC7592	639	MTC9320AUE	766	MTC9931	783	MUC1218	628
MRC7399	747	MTC6264	701	MTC7592	642	MTC9320LUL	766	MTC9931	789	MUC1219	628
MRC8167	664	MTC6538	678	MTC7593	639	MTC9333RUN	815	MTC9931	791	MUC1514	803
MTC1738	664	MTC6538	679	MTC7593	642	MTC9334RUN	815	MTC9931	803	MUC1514	806
MTC1739	664	MTC6677	655	MTC9066	620	MTC9424	551	MTC9931	806	MUC1514	809
MTC1742	664	MTC6738	639	MTC9066	626	MTC9428	783	MTC9931	809	MUC1514	812
MTC1743	664	MTC6738	648	MTC9113	645	MTC9428	821	MTC9931	812	MUC1514	814
MTC2342	770	MTC6738	650	MTC9114	645	MTC9428	832	MTC9931	814	MUC1515	803
MTC2342	772	MTC6738	652	MTC9131	629	MTC9428	835	MTC9943	783	MUC1515	806
MTC2398	605	MTC6742	639	MTC9145	639	MTC9428	838	MTC9943	789	MUC1515	809
MTC2610	861	MTC6742	648	MTC9145	642	MTC9428	840	MTC9943	791	MUC1515	812
MTC3054	664	MTC6742	650	MTC9163	631	MTC9428	842	MTC9943	803	MUC1515	814
MTC3055	664	MTC6742	652	MTC9164	631	MTC9428	848	MTC9943	806	MUC1516	803
MTC3151	662	MTC6864	641	MTC9177	628	MTC9429	821	MTC9943	809	MUC1516	806
MTC3877	771	MTC6864	644	MTC9203	646	MTC9429	832	MTC9943	812	MUC1516	809
MTC3878	771	MTC6916AUE	766	MTC9204	646	MTC9429	835	MTC9943	814	MUC1516	812
MTC3879	772	MTC6927	611	MTC9207	599	MTC9429	838	MTC9969RUN	435	MUC1516	814
MTC3880	772	MTC6928	611	MTC9208	599	MTC9429	840	MTC9970RUN	435	MUC1561	782
MTC4501	629	MTC7029	639	MTC9217	598	MTC9429	842	MUC1121AUK	808	MUC1561	788
MTC5501	661	MTC7029	642	MTC9217	600	MTC9429	848	MUC1121LNF	801	MUC1561	790
MTC5520RUN	685	MTC7032	641	MTC9273	629	MTC9505	640	MUC1121LOY	801	MUC1606	678
MTC5604	655	MTC7032	644	MTC9274	629	MTC9505	643	MUC1121LUL	801	MUC1607	678
MTC5605	655	MTC7171	611	MTC9289	639	MTC9623	639	MUC1121RWD	801	MUC1609	678
MTC5762	654	MTC7188	645	MTC9289	642	MTC9623	642	MUC1121RWD	811	MUC1609	679
MTC5865	590	MTC7268SUA	719	MTC9289	646	MTC9625	646	MUC1121SUA	790	MUC1612LUL	728
MTC5955	629	MTC7290	619	MTC9290	639	MTC9631	620	MUC1121SUA	801	MUC1612SUA	728
MTC5956	629	MTC7290	628	MTC9290	642	MTC9631	626	MUC1121SUA	806	MUC1613LUL	728
MTC6019RUN	685	MTC7451	472	MTC9290	646	MTC9632	620	MUC1121SUA	814	MUC1613SUA	728
MTC6264	637	MTC7451	474	MTC9319AUE	766	MTC9632	626	MUC1207	684	MUC1626LNF	783





# RANGE ROVER 1992 onwards

## 926

# NUMERICAL INDEX

PART NO	PAGE	PART NO	PAGE	PART NO	PAGE	PART NO	PAGE	PART NO	PAGE	PART NO	PAGE
MUC1627LNF	783	MUC2325	621	MUC3664	700	MUC6347	429	MUC8976	757	MUC9558RUN	685
MUC1679	434	MUC2481	440	MUC3672	702	MUC6347	430	MUC8977	757	MUC9559RUN	685
MUC1722	593	MUC2498RUN	701	MUC3717	611	MUC6382	423	MUC8984RUN	700	MUC9897RUN	702
MUC1723	593	MUC2564	859	MUC3719	681	MUC6383	423	MUC8985RUN	700	MWC1055LNF	861
MUC1733	621	MUC2901	756	MUC3870	691	MUC6384	374	MUC8987	701	MWC1055RUN	861
MUC1733	630	MUC2902	756	MUC3905	658	MUC6414	665	MUC8989	698	MWC1267	685
MUC1746	623	MUC2955LMP	668	MUC4129	698	MUC6415	665	MUC8995	781	MWC1293	691
MUC1747	623	MUC2956LMP	668	MUC4135	659	MUC6429	659	MUC8996	781	MWC1384	656
MUC1750	623	MUC3186	719	MUC4138RUN	711	MUC6513	472	MUC9210	749	MWC1388	783
MUC1751	623	MUC3186	724	MUC4177	423	MUC6513	473	MUC9219AUK	749	MWC1388	789
MUC1792	679	MUC3484	669	MUC4230	757	MUC6513	474	MUC9219LUL	749	MWC1388	791
MUC1818	602	MUC3484	672	MUC4856	701	MUC6514	472	MUC9219RWD	749	MWC1388	803
MUC1819	602	MUC3484	675	MUC5088LUM	752	MUC6514	473	MUC9219SUA	749	MWC1388	806
MUC1820	602	MUC3485	669	MUC5088LUM	754	MUC6514	474	MUC9281	700	MWC1388	808
MUC1822	602	MUC3485	672	MUC5482	611	MUC6521	641	MUC9284	700	MWC1388	811
MUC1839	602	MUC3485	675	MUC5486LUM	752	MUC6521	644	MUC9285	581	MWC1388	814
MUC1987	658	MUC3488	669	MUC5486LUM	754	MUC6522	471	MUC9286	581	MWC1389	783
MUC2153	319	MUC3488	672	MUC5783	647	MUC6523	471	MUC9335	702	MWC1389	789
MUC2153	636	MUC3488	674	MUC5845	569	MUC6529	429	MUC9336	702	MWC1389	791
MUC2153	641	MUC3489	669	MUC5845	570	MUC6529	430	MUC9472	748	MWC1389	803
MUC2153	644	MUC3489	672	MUC5848	569	MUC6559RUN	691	MUC9476	750	MWC1389	806
MUC2153	648	MUC3489	674	MUC5848	570	MUC6806	700	MUC9477LUL	749	MWC1389	808
MUC2153	649	MUC3490	669	MUC5945	593	MUC6937	659	MUC9477SUA	749	MWC1389	811
MUC2153	650	MUC3490	672	MUC6260	605	MUC6938	658	MUC9478LUL	748	MWC1389	814
MUC2153	651	MUC3490	674	MUC6261	605	MUC8478	579	MUC9478SUA	748	MWC1394	656
MUC2177	619	MUC3490	675	MUC6310	440	MUC8600	584	MUC9479LUL	748	MWC1399	656
MUC2180	436	MUC3491	669	MUC6319	423	MUC8842	443	MUC9479SUA	748	MWC1577	489
MUC2181	436	MUC3491	672	MUC6320	423	MUC8849	386	MUC9489	756	MWC1577	490
MUC2208SUA	719	MUC3491	674	MUC6324	423	MUC8958RUN	711	MUC9536	595	MWC1654	656
MUC2322	621	MUC3491	675	MUC6342	691	MUC8959RUN	711	MUC9537	595	MWC1846	319





## RANGE ROVER 1992 onwards

927

## NUMERICAL INDEX

PART NO	PAGE	PART NO	PAGE	PART NO	PAGE	PART NO	PAGE	PART NO	PAGE	PART NO	PAGE
MWC1847	319	MWC2626AUK	740	MWC2721	830	MWC3234	526	MWC4804	806	MWC5089RWD	800
MWC1950	638	MWC2626AUK	745	MWC2721	834	MWC3235	526	MWC4804	809	MWC5089RWD	811
MWC1950	640	MWC2626LNF	745	MWC2721	837	MWC3250RUN	691	MWC4804	812	MWC5089SMK	790
MWC1950	643	MWC2626LOY	745	MWC2721	841	MWC3339	610	MWC4804	814	MWC5090LUV	800
MWC1950	645	MWC2626LUL	740	MWC2736	503	MWC3347	659	MWC4814	656	MWC5090RWD	800
MWC2109	465	MWC2626RWD	740	MWC2750	656	MWC3348	659	MWC4816	821	MWC5090RWD	811
MWC2260	656	MWC2626SUA	740	MWC2754	781	MWC3360	701	MWC4816	831	MWC5090SMK	790
MWC2262	656	MWC2626SUA	745	MWC2941	621	MWC3389	609	MWC4816	835	MWC5091LUV	800
MWC2278	654	MWC2627AUK	740	MWC2955LNF	783	MWC4332	609	MWC4816	838	MWC5091RWD	800
MWC2287	610	MWC2627AUK	745	MWC2955RUN	783	MWC4340	346	MWC4816	840	MWC5091RWD	811
MWC2366RUN	684	MWC2627LNF	745	MWC2955RUN	789	MWC4386LUM	755	MWC4816	842	MWC5091SMK	790
MWC2367RUN	684	MWC2627LOY	745	MWC2955RUN	791	MWC4387LUM	755	MWC4816	848	MWC5124	640
MWC2379	489	MWC2627LUL	740	MWC2961	700	MWC4388LUM	755	MWC4818	656	MWC5124	643
MWC2379	490	MWC2627RWD	740	MWC3076	832	MWC4389LUM	755	MWC4875	611	MWC5126	641
MWC2404	595	MWC2627SUA	740	MWC3077	832	MWC4406	656	MWC5003LUL	778	MWC5126	644
MWC2405	595	MWC2627SUA	745	MWC3085	656	MWC4560	611	MWC5003SUA	778	MWC5144	646
MWC2422	783	MWC2638	656	MWC3129	730	MWC4567	756	MWC5004LUL	778	MWC5145	646
MWC2422	789	MWC2640	756	MWC3129	731	MWC4592LNF	861	MWC5004SUA	778	MWC5148	647
MWC2422	791	MWC2641	756	MWC3129	739	MWC4592RUN	861	MWC5053	821	MWC5149	647
MWC2422	803	MWC2645	756	MWC3129	745	MWC4666AUE	852	MWC5053	831	MWC5150	645
MWC2422	806	MWC2680	611	MWC3169AUK	776	MWC4666LOY	852	MWC5053	835	MWC5151	645
MWC2422	809	MWC2692	605	MWC3169LUL	776	MWC4666LUL	852	MWC5053	838	MWC5340RUN	319
MWC2422	812	MWC2693	756	MWC3169RWD	776	MWC4667AUE	852	MWC5053	840	MWC5360	646
MWC2422	814	MWC2707	656	MWC3169SUA	776	MWC4667LOY	852	MWC5053	842	MWC5362	607
MWC2450	780	MWC2720	820	MWC3170AUK	776	MWC4667LUL	852	MWC5053	848	MWC5363	607
MWC2480	656	MWC2720	830	MWC3170LUL	776	MWC4803	756	MWC5088LUV	800	MWC5364	607
MWC2485	656	MWC2720	834	MWC3170RWD	776	MWC4804	783	MWC5088RWD	800	MWC5365	607
MWC2486	611	MWC2720	837	MWC3170SUA	776	MWC4804	789	MWC5088RWD	811	MWC5396	700
MWC2552	560	MWC2720	841	MWC3209	526	MWC4804	791	MWC5088SMK	790	MWC5481LUM	751
MWC2600	435	MWC2721	820	MWC3226	781	MWC4804	803	MWC5089LUV	800	MWC5605AUK	778



PART NO	PAGE	PART NO	PAGE	PART NO	PAGE	PART NO	PAGE	PART NO	PAGE	PART NO	PAGE
MWC5605LUL	778	MWC6060	842	MWC6822AUE	815	MWC8295RWD	851	MWC8594LUL	802	MWC8692	669
MWC5605RWD	778	MWC6060	848	MWC6911	765	MWC8295SUA	851	MWC8594RWD	802	MWC8692	672
MWC5605SUA	778	MWC6061	821	MWC6938	582	MWC8299	850	MWC8594RWD	811	MWC8692	674
MWC5728	686	MWC6061	832	MWC7244SUA	747	MWC8300	850	MWC8594SUA	788	MWC8693	669
MWC5729	686	MWC6061	835	MWC7245SUA	747	MWC8418LUL	724	MWC8594SUA	791	MWC8693	672
MWC5734	597	MWC6061	838	MWC7671	684	MWC8418SUA	724	MWC8594SUA	802	MWC8693	674
MWC5734	599	MWC6061	840	MWC7672	684	MWC8419LUL	724	MWC8594SUA	806	MWC9313	864
MWC5734	601	MWC6061	842	MWC7677	636	MWC8419SUA	724	MWC8652AUE	782	MWC9472	659
MWC5774SUA	779	MWC6061	848	MWC7677	639	MWC8430	619	MWC8652AUE	788	MWC9493	657
MWC5775SUA	779	MWC6062P	765	MWC7677	642	MWC8431	619	MWC8652LUL	788	MWC9602	621
MWC5964	597	MWC6137	654	MWC7677	646	MWC8436	621	MWC8652LUL	802	MWC9603	628
MWC5964	599	MWC6193	609	MWC7678	656	MWC8437	621	MWC8652SUA	791	MWC9605	658
MWC5964	601	MWC6204	468	MWC7681	757	MWC8438	627	MWC8652SUA	802	MWC9618SUA	783
MWC5966	597	MWC6218	607	MWC7682	757	MWC8439	627	MWC8653AUK	808	MWC9619SUA	783
MWC5966	599	MWC6219	607	MWC7812LNF	820	MWC8442	665	MWC8653LUL	802	MWC9621SUA	778
MWC5975LUM	751	MWC6220	607	MWC7812RUN	820	MWC8443	665	MWC8653RWD	802	MWC9622SUA	778
MWC5976LUL	853	MWC6221	607	MWC8228LUM	752	MWC8447	752	MWC8653RWD	811	MWC9640	752
MWC5976LUV	853	MWC6305	619	MWC8228LUM	754	MWC8447	754	MWC8653SUA	802	MWC9640	754
MWC5976RWD	853	MWC6308	619	MWC8292	850	MWC8501	582	MWC8653SUA	806	MWC9698AUE	817
MWC5976SUA	853	MWC6309	619	MWC8293	850	MWC8552	660	MWC8656	648	MWC9698LUL	817
MWC5977LUL	853	MWC6328	619	MWC8294AUK	851	MWC8557	660	MWC8656	649	MWC9699AUE	818
MWC5977LUV	853	MWC6329	619	MWC8294LNF	851	MWC8563	471	MWC8656	650	MWC9699LUL	818
MWC5977RWD	853	MWC6338	622	MWC8294LOY	851	MWC8583	684	MWC8656	651	MWC9804AUE	817
MWC5977SUA	853	MWC6339	622	MWC8294LUL	851	MWC8592AUE	782	MWC8656	652	MWC9804LUL	817
MWC5995LUM	471	MWC6350	596	MWC8294RWD	851	MWC8592AUE	788	MWC8656	653	MWC9805AUE	818
MWC6060	821	MWC6351	596	MWC8294SUA	851	MWC8592LUL	788	MWC8656	659	MWC9805LUL	818
MWC6060	832	MWC6401	757	MWC8295AUK	851	MWC8593AUE	802	MWC8680	621	MWC9806LUL	823
MWC6060	835	MWC6420RUN	686	MWC8295LNF	851	MWC8593LUL	802	MWC8688	669	MWC9806SUA	823
MWC6060	838	MWC6621	640	MWC8295LOY	851	MWC8594AUK	808	MWC8688	672	MWC9807LUL	826
MWC6060	840	MWC6621	643	MWC8295LUL	851	MWC8594LUL	788	MWC8688	674	MWC9807SUA	826



# RANGE ROVER 1992 onwards

929

# NUMERICAL INDEX

PART NO	PAGE	PART NO	PAGE	PART NO	PAGE	PART NO	PAGE	PART NO	PAGE	PART NO	PAGE
MWC9822	752	MXC1306RWD	729	MXC1331AUE	729	MXC1389	659	MXC1889RUN	700	MXC2722LNF	646
MWC9822	754	MXC1306RWD	737	MXC1331AUK	729	MXC1391	660	MXC1944	590	MXC2722RUN	640
MWC9919	663	MXC1306SUA	729	MXC1331LUL	729	MXC1399	607	MXC1947	637	MXC2722RUN	643
MWC9921RUN	319	MXC1306SUA	732	MXC1331RWD	729	MXC1408	613	MXC1949	619	MXC2722RUN	646
MWC9932	663	MXC1306SUA	737	MXC1340AUE	737	MXC1409	613	MXC1956	619	MXC2723LNF	640
MWC9947	434	MXC1306SUA	743	MXC1340LNF	744	MXC1480	647	MXC1956	621	MXC2723LNF	643
MWC9966	596	MXC1309AUK	729	MXC1340LOY	744	MXC1481	647	MXC1959	608	MXC2723LNF	646
MWC9966	598	MXC1309AUK	739	MXC1340LUL	737	MXC1494	664	MXC1965	626	MXC2723RUN	640
MWC9966	600	MXC1309LNF	732	MXC1340RWD	737	MXC1495	664	MXC1966	620	MXC2723RUN	643
MXC1097	614	MXC1309LNF	745	MXC1341AUE	737	MXC1638	619	MXC1967	620	MXC2723RUN	646
MXC1166	848	MXC1309LOY	732	MXC1341LNF	744	MXC1638	621	MXC2043RUN	435	MXC2775	609
MXC1167	848	MXC1309LOY	745	MXC1341LOY	744	MXC1638	627	MXC2050SUA	719	MXC2776	610
MXC1172LMP	668	MXC1309LUL	729	MXC1341LUL	737	MXC1639RUN	700	MXC2051SUA	719	MXC2777	610
MXC1172LVC	670	MXC1309LUL	739	MXC1341RWD	737	MXC1650	638	MXC2063	620	MXC2784	610
MXC1172MCF	668	MXC1309RWD	729	MXC1342AUE	738	MXC1651	638	MXC2064	620	MXC2822	607
MXC1172MMG	671	MXC1309RWD	739	MXC1342LNF	744	MXC1657	638	MXC2067RUN	700	MXC2823	607
MXC1172MMG	673	MXC1309SUA	729	MXC1342LOY	744	MXC1670	663	MXC2070RUN	700	MXC2958SUA	719
MXC1172MUK	670	MXC1309SUA	732	MXC1342LUL	738	MXC1699RUN	684	MXC2162	627	MXC2959SUA	719
MXC1172PME	671	MXC1309SUA	739	MXC1342RWD	738	MXC1700RUN	684	MXC2163	627	MXC3021	633
MXC1173	739	MXC1309SUA	745	MXC1343AUE	738	MXC1706	770	MXC2164	620	MXC3022	633
MXC1173	745	MXC1324AUK	730	MXC1343LNF	744	MXC1707	770	MXC2165	620	MXC3025	637
MXC1198	850	MXC1324LUL	730	MXC1343LOY	744	MXC1737	636	MXC2166	621	MXC3026	637
MXC1306AUK	729	MXC1324RWD	730	MXC1343LUL	738	MXC1738	636	MXC2166	627	MXC3035LUL	720
MXC1306AUK	737	MXC1324SUA	730	MXC1343RWD	738	MXC1794RUN	703	MXC2167	621	MXC3035SUA	720
MXC1306LNF	732	MXC1325	730	MXC1361	627	MXC1795RUN	703	MXC2167	627	MXC3036LUL	720
MXC1306LNF	743	MXC1325	731	MXC1377	657	MXC1849	581	MXC2245SUA	747	MXC3036SUA	720
MXC1306LOY	732	MXC1330AUE	728	MXC1378	659	MXC1867	619	MXC2246SUA	747	MXC3037LUL	720
MXC1306LOY	743	MXC1330AUK	728	MXC1379	659	MXC1867	621	MXC2531	748	MXC3037SUA	720
MXC1306LUL	729	MXC1330LUL	728	MXC1382	657	MXC1867	627	MXC2722LNF	640	MXC3038LUL	720
MXC1306LUL	737	MXC1330RWD	728	MXC1383	657	MXC1867	630	MXC2722LNF	643	MXC3038SUA	720



PART NO	PAGE	PART NO	PAGE	PART NO	PAGE	PART NO	PAGE	PART NO	PAGE	PART NO	PAGE
MXC3070	608	MXC3377LUL	721	MXC4738RUN	745	MXC4833AUE	818	MXC5222	705	MXC5546	681
MXC3073AUK	850	MXC3377SUA	721	MXC4787AUE	782	MXC4833LOY	818	MXC5230	611	MXC5547	681
MXC3073LNF	850	MXC3378LUL	721	MXC4787AUE	784	MXC4833LUL	818	MXC5231	864	MXC5548	681
MXC3073LOY	850	MXC3378SUA	721	MXC4787AUE	795	MXC4835AUE	816	MXC5267	621	MXC5550	695
MXC3073LUL	850	MXC3426	611	MXC4787LOY	784	MXC4838AUE	815	MXC5267	627	MXC5551	695
MXC3073RWD	850	MXC3874	443	MXC4787LOY	795	MXC4843	712	MXC5291RUN	679	MXC5572	690
MXC3073SUA	850	MXC3875	443	MXC4787LUL	784	MXC4844	712	MXC5292RUN	679	MXC5603	612
MXC3076	821	MXC3909	850	MXC4787LUL	795	MXC4845	712	MXC5355	619	MXC5604	610
MXC3076	840	MXC3910	436	MXC4797AUE	782	MXC4846	712	MXC5356	619	MXC5616LNF	769
MXC3076	842	MXC3918	596	MXC4797AUE	784	MXC4848	714	MXC5449LUL	741	MXC5616LOY	769
MXC3077	821	MXC3919	596	MXC4797AUE	795	MXC4848	715	MXC5449PUB	741	MXC5616LUL	767
MXC3077	840	MXC4605	645	MXC4797LUL	784	MXC4849	714	MXC5449PUB	747	MXC5616RWD	767
MXC3077	842	MXC4621	637	MXC4797LUL	795	MXC4849	715	MXC5449SUA	741	MXC5616SUA	767
MXC3119	591	MXC4622	637	MXC4807LUL	824	MXC4850	714	MXC5449SUA	747	MXC5648	615
MXC3133	608	MXC4644SUA	747	MXC4807SUA	824	MXC4850	715	MXC5450LUL	741	MXC5650AUE	706
MXC3177L	656	MXC4655	626	MXC4810LUL	822	MXC4851	714	MXC5450PUB	741	MXC5650LUL	706
MXC3178	639	MXC4664	526	MXC4810SUA	822	MXC4851	715	MXC5450PUB	747	MXC5683	429
MXC3178	642	MXC4671SUA	747	MXC4813LUL	826	MXC4886	618	MXC5450SUA	741	MXC5683	430
MXC3178	645	MXC4672SUA	747	MXC4813SUA	826	MXC4887	618	MXC5450SUA	747	MXC5705	429
MXC3187	821	MXC4684	580	MXC4816LUL	825	MXC4892	660	MXC5451LUL	741	MXC5706	442
MXC3187	832	MXC4738LNF	638	MXC4816SUA	825	MXC4918	621	MXC5451PUB	741	MXC5707	442
MXC3187	835	MXC4738LNF	640	MXC4827AUE	818	MXC4918	627	MXC5451PUB	745	MXC5768	627
MXC3187	838	MXC4738LNF	643	MXC4827LOY	818	MXC5027	612	MXC5451SUA	741	MXC5769	627
MXC3187	840	MXC4738LNF	732	MXC4827LUL	818	MXC5070	590	MXC5461	596	MXC5770	620
MXC3187	842	MXC4738PMA	638	MXC4829AUE	817	MXC5128AUE	782	MXC5462	596	MXC5771	620
MXC3187	848	MXC4738RUN	640	MXC4829LOY	817	MXC5129AUE	782	MXC5469	581	MXC5788	468
MXC3342	615	MXC4738RUN	643	MXC4829LUL	817	MXC5198SUA	775	MXC5499RUN	858	MXC5791	657
MXC3343	615	MXC4738RUN	645	MXC4831AUE	818	MXC5199SUA	775	MXC5506	607	MXC5798PMA	782
MXC3352RUN	548	MXC4738RUN	730	MXC4831LOY	818	MXC5202SUA	775	MXC5508	607	MXC5799PMA	782
MXC3374	608	MXC4738RUN	739	MXC4831LUL	818	MXC5203SUA	775	MXC5545	681	MXC5801PMA	784

PART NO	PAGE	PART NO	PAGE	PART NO	PAGE	PART NO	PAGE	PART NO	PAGE	PART NO	PAGE
MXC5801PMA	786	MXC6275	455	MXC6985SUA	822	MXC7000LUL	828	MXC7257	453	MXC7712RUN	701
MXC5801PMA	790	MXC6324	610	MXC6986LUL	825	MXC7000LUV	828	MXC7258	444	MXC7781RUN	703
MXC5802PMA	786	MXC6465AUE	819	MXC6986SUA	825	MXC7000RWD	828	MXC7259	444	MXC7782RUN	703
MXC5802PMA	790	MXC6465LOY	819	MXC6987AUE	819	MXC7000RWD	837	MXC7260	445	MXC7783RUN	703
MXC5802RUN	784	MXC6465LUL	819	MXC6987LOY	819	MXC7000SMK	839	MXC7261	445	MXC7784	712
MXC5957	607	MXC6466LUL	829	MXC6987LUL	819	MXC7000SMK	841	MXC7269	444	MXC7784	713
MXC5991AUE	819	MXC6466LUV	829	MXC6988AUE	819	MXC7000SUA	828	MXC7336	641	MXC7785	712
MXC5991LOY	819	MXC6466RWD	829	MXC6988LOY	819	MXC7001AUE	819	MXC7336	644	MXC7785	713
MXC5991LUL	819	MXC6466RWD	837	MXC6988LUL	819	MXC7001LOY	819	MXC7337	641	MXC7811LNF	820
MXC5992LUL	829	MXC6466SMK	839	MXC6996LUL	828	MXC7001LUL	819	MXC7337	644	MXC7811LNF	831
MXC5992LUV	829	MXC6466SMK	841	MXC6996LUV	828	MXC7002AUE	819	MXC7405	615	MXC7811LNF	837
MXC5992RWD	829	MXC6466SUA	829	MXC6996RWD	828	MXC7002LOY	819	MXC7560AUE	762	MXC7811LNF	840
MXC5992RWD	837	MXC6473	782	MXC6996RWD	837	MXC7002LUL	819	MXC7563AUE	760	MXC7811LNF	848
MXC5992SMK	839	MXC6473	788	MXC6996SMK	839	MXC7032	443	MXC7563LUL	760	MXC7811RUN	820
MXC5992SMK	841	MXC6473	790	MXC6996SMK	841	MXC7154	606	MXC7564AUE	760	MXC7811RUN	831
MXC5992SUA	829	MXC6474	782	MXC6996SUA	828	MXC7155	606	MXC7564LUL	760	MXC7811RUN	835
MXC6058	606	MXC6474	788	MXC6997LUL	827	MXC7157RUN	690	MXC7575PCH	758	MXC7811RUN	842
MXC6059	606	MXC6474	790	MXC6997LUV	827	MXC7158RUN	690	MXC7576PCH	758	MXC7812LNF	831
MXC6069	607	MXC6500	612	MXC6997RWD	827	MXC7159	443	MXC7577PCH	758	MXC7812LNF	837
MXC6269	450	MXC6676	428	MXC6997RWD	836	MXC7233RUN	442	MXC7578PCH	758	MXC7812LNF	840
MXC6269	452	MXC6676	430	MXC6997SMK	839	MXC7234RUN	442	MXC7641AUE	763	MXC7812LNF	848
MXC6269	453	MXC6743	680	MXC6997SMK	841	MXC7241	451	MXC7641LUL	763	MXC7812RUN	831
MXC6269	454	MXC6823AUE	816	MXC6997SUA	827	MXC7241	453	MXC7643AUE	763	MXC7812RUN	835
MXC6269	455	MXC6828	581	MXC6999LUL	828	MXC7242	450	MXC7643LUL	763	MXC7812RUN	842
MXC6270	451	MXC6829	581	MXC6999LUV	828	MXC7252	444	MXC7643RWD	763	MXC7833	659
MXC6275	450	MXC6889	428	MXC6999RWD	828	MXC7253	444	MXC7656	429	MXC7926	597
MXC6275	451	MXC6930	702	MXC6999RWD	836	MXC7256	450	MXC7656	430	MXC7927	597
MXC6275	452	MXC6962RUN	690	MXC6999SMK	839	MXC7256	454	MXC7711RUN	372	MXC8014	621
MXC6275	453	MXC6963RUN	690	MXC6999SMK	841	MXC7257	445	MXC7711RUN	701	MXC8015	621
MXC6275	454	MXC6985LUL	822	MXC6999SUA	828	MXC7257	451	MXC7712RUN	372	MXC8016	628



# RANGE ROVER 1992 onwards

## 932

# NUMERICAL INDEX

PART NO	PAGE	PART NO	PAGE	PART NO	PAGE	PART NO	PAGE	PART NO	PAGE	PART NO	PAGE
MXC8017	628	MXC8710	609	MXC9222	607	MXC9616	547	NH105041L	399	NH106041L	416
MXC8053	599	MXC8714	679	MXC9223	607	MXC9623	662	NH105041L	415	NH106041L	425
MXC8053	600	MXC8715	679	MXC9295	589	MXC9640	663	NH105041L	47	NH106041L	426
MXC8054	599	MXC8732	663	MXC9296	589	MXC9762	648	NH105041L	535	NH106041L	427
MXC8054	600	MXC8860	468	MXC9472	654	MXC9769	586	NH105041L	561	NH106041L	434
MXC8057	614	MXC8889	667	MXC9473	654	MXC9771	592	NH105041L	572	NH106041L	472
MXC8058	614	MXC8890	667	MXC9489	654	MXC9783	648	NH105041L	684	NH106041L	474
MXC8061	614	MXC8903	607	MXC9502	667	MXC9783	650	NH105041L	686	NH106041L	537
MXC8304	614	MXC8920	603	MXC9527	598	MXC9785	589	NH106041L	153	NH106041L	547
MXC8311	730	MXC8922	623	MXC9528	598	MXC9786	589	NH106041L	156	NH106041L	610
MXC8311	741	MXC8923	623	MXC9531	596	MXC9791	589	NH106041L	177	NH106041L	622
MXC8311	745	MXC8924	642	MXC9532	596	MXC9792	589	NH106041L	191	NH106041L	661
MXC8335	620	MXC8924	648	MXC9544	598	NAD10038	131	NH106041L	193	NH106041L	680
MXC8335	626	MXC8924	649	MXC9544	600	NAD10039	48	NH106041L	211	NH106041L	750
MXC8391	655	MXC8925	642	MXC9545	598	NC112041	301	NH106041L	233	NH106141L	398
MXC8420	658	MXC8925	648	MXC9545	600	NC112041	308	NH106041L	235	NH108041L	160
MXC8421	658	MXC8925	649	MXC9554	598	NC112041	322	NH106041L	237	NH108041L	115
MXC8422	658	MXC8938LMP	668	MXC9554	600	NC112041	325	NH106041L	347	NH108041L	117
MXC8454	655	MXC8938LVC	670	MXC9555	598	NH100041L	178	NH106041L	348	NH108041L	123
MXC8602	624	MXC8938MCF	668	MXC9555	600	NH104041	566	NH106041L	352	NH108041L	140
MXC8603	624	MXC8938MUK	670	MXC9566	596	NH104041	574	NH106041L	353	NH108041L	150
MXC8701	641	MXC8939	596	MXC9567	596	NH104041L	567	NH106041L	362	NH108041L	155
MXC8701	644	MXC8939	598	MXC9570	667	NH104041L	568	NH106041L	364	NH108041L	158
MXC8706	631	MXC8939	600	MXC9571	667	NH104041L	640	NH106041L	365	NH108041L	169
MXC8707	631	MXC8940	596	MXC9573	666	NH104041L	643	NH106041L	394	NH108041L	171
MXC8709	346	MXC8940	598	MXC9574	666	NH104041L	656	NH106041L	396	NH108041L	252
MXC8709	374	MXC8940	600	MXC9575	666	NH104041L	66	NH106041L	403	NH108041L	336
MXC8709	564	MXC9034	591	MXC9584	605	NH104041L	691	NH106041L	406	NH108041L	345
MXC8709	565	MXC9035	591	MXC9614	547	NH105041L	151	NH106041L	408	NH108041L	348
MXC8709	595	MXC9119	547	MXC9615	547	NH105041L	336	NH106041L	409	NH108041L	352



PART NO	PAGE	PART NO	PAGE	PART NO	PAGE	PART NO	PAGE	PART NO	PAGE	PART NO	PAGE
NH108041L	373	NH605041L	305	NN106021	235	NRC4516	297	NRC7415	294	NRC9771	389
NH108041L	392	NH605041L	320	NN106021	237	NRC4700	325	NRC7649	407	NRC9773	351
NH108041L	411	NH605041L	591	NN106021	614	NRC5214	583	NRC7649	409	NRC9773	356
NH108041L	413	NH605041L	593	NRC1302	97	NRC5588	361	NRC7981	306	NRC9773	394
NH108041L	419	NH605041L	613	NRC1362	330	NRC5589	361	NRC7981	307	NR604090	110
NH108041L	543	NH605041L	619	NRC145	325	NRC5593	306	NRC7981	309	NSS	370
NH108041L	580	NH605041L	94	NRC1823	325	NRC5593	307	NRC8048	871	NSS	74
NH108051L	161	NH605041L	99	NRC1824	325	NRC5593	309	NRC8204	144	NTC1340	372
NH108141L	161	NH606041L	111	NRC2119	304	NRC5602	306	NRC8254	294	NTC1346	293
NH108201L	415	NH606041L	117	NRC219	336	NRC5602	307	NRC8381	390	NTC1346AUF	293
NH110041L	166	NH606041L	118	NRC2211	342	NRC5602	309	NRC8416	371	NTC1346CUH	293
NH110041L	578	NH606041L	252	NRC2268	398	NRC5603	306	NRC8417	371	NTC1346HAF	293
NH110041L	97	NH606041L	337	NRC2383	412	NRC5603	307	NRC8618	27	NTC1346HUL	293
NH112041L	166	NH606041L	339	NRC2384	579	NRC5603	309	NRC8955	394	NTC1346JRJ	293
NH604041L	412	NH606041L	46	NRC3226	325	NRC5627	585	NRC8975	342	NTC1346JUJ	293
NH604041L	590	NH606041L	579	NRC3314	97	NRC5721	361	NRC9019	342	NTC1346JUV	293
NH604041L	606	NH607041L	342	NRC4163	310	NRC5764	296	NRC9019	343	NTC1346LUQ	293
NH604041L	608	NH607041L	343	NRC4251	350	NRC5765	296	NRC9101	864	NTC1346LVD	293
NH604041L	609	NH608041L	869	NRC4251	355	NRC5886	585	NRC9239	396	NTC1346MUD	293
NH604041L	612	NH610041L	869	NRC4251	359	NRC5990	332	NRC9246	260	NTC1346MUM	293
NH604041L	628	NH910011L	125	NRC4251	362	NRC6221	308	NRC9246	261	NTC1346NUC	293
NH604041L	637	NH910011L	639	NRC4305	304	NRC6235	299	NRC9246	282	NTC1346PUE	293
NH604041L	661	NH910011L	642	NRC4306	298	NRC6235	306	NRC9700	298	NTC1346RUT	293
NH604041L	681	NK105061	685	NRC4365	299	NRC6302	332	NRC9700	304	NTC1426	394
NH604041L	770	NK106067L	613	NRC4365	302	NRC6372	298	NRC9708	390	NTC1435	394
NH604041L	771	NK106067L	719	NRC4365	309	NRC6528	252	NRC9728	296	NTC1518	387
NH604041L	871	NLS	657	NRC4403	362	NRC6561	310	NRC9729	296	NTC1518	391
NH604041L	98	NM105011	711	NRC4403	363	NRC6655	593	NRC9770	386	NTC1521	387
NH605041L	297	NN106011	332	NRC4514	297	NRC7136	252	NRC9770	389	NTC1718	580
NH605041L	298	NN106021	211	NRC4515	297	NRC7387	317	NRC9771	386	NTC1772	304





# RANGE ROVER 1992 onwards

## 934

# NUMERICAL INDEX

PART NO	PAGE	PART NO	PAGE	PART NO	PAGE	PART NO	PAGE	PART NO	PAGE	PART NO	PAGE
NTC1773	303	NTC2320AUF	293	NTC3241	143	NTC4207	573	NTC4602	405	NTC5174	416
NTC1791	327	NTC2320PUE	293	NTC3242	144	NTC4208	359	NTC4602	98	NTC5175	416
NTC1791	328	NTC2325	297	NTC3297	579	NTC4238	573	NTC4609	108	NTC5175	418
NTC1856	342	NTC2326	297	NTC3298	579	NTC4238	574	NTC4609	411	NTC5193PM	293
NTC1856	343	NTC2340	392	NTC3338	392	NTC4242	345	NTC4609	413	NTC5232	583
NTC1868	193	NTC2674	388	NTC3346	387	NTC4245	329	NTC4610	319	NTC5233	583
NTC1868	211	NTC2694	297	NTC3346	389	NTC4245	331	NTC4618	303	NTC5266	573
NTC1868	233	NTC2706	303	NTC3354	392	NTC4255	252	NTC4627	400	NTC5415	398
NTC1868	235	NTC2707	303	NTC3360	371	NTC4281	579	NTC4718	580	NTC5418	381
NTC1873	411	NTC2721	327	NTC3361	371	NTC4294	345	NTC4718	584	NTC5418	383
NTC1873	413	NTC2722	330	NTC3399	343	NTC4329	417	NTC4859	386	NTC5424	381
NTC1873	415	NTC2723	327	NTC3400	343	NTC4336	418	NTC4881	407	NTC5430	381
NTC1873	417	NTC2723	328	NTC3401	343	NTC4401	392	NTC4985	252	NTC5430	382
NTC1873	419	NTC2776	143	NTC3458	362	NTC4408	392	NTC4988	345	NTC5454	398
NTC1888	301	NTC2780	580	NTC3458	364	NTC4474	252	NTC4991	345	NTC5455	398
NTC1888	308	NTC2781	580	NTC3519	578	NTC4487	346	NTC5009	374	NTC5456RUN	315
NTC1949	584	NTC2804	579	NTC3595	328	NTC4488	346	NTC5026	372	NTC5460RUN	315
NTC1950	584	NTC2826	416	NTC3650	408	NTC4517	380	NTC5027	358	NTC5494	332
NTC1956	398	NTC2834	416	NTC3747	373	NTC4517	400	NTC5027L	349	NTC5562	398
NTC1966	403	NTC2836	395	NTC3748	373	NTC4563	339	NTC5027L	355	NTC5564	405
NTC1966	405	NTC2839	336	NTC3749	373	NTC4564	338	NTC5031	578	NTC5582	403
NTC1966	409	NTC2873	387	NTC3751	392	NTC4564	340	NTC5147	374	NTC5582	406
NTC1966	524	NTC2873	391	NTC3853	315	NTC4564	341	NTC5148	373	NTC5582	408
NTC1977	364	NTC3016	394	NTC3858	412	NTC4571	299	NTC5171	108	NTC5582	409
NTC2237	409	NTC3038	326	NTC3885	392	NTC4571	300	NTC5171	411	NTC5634	404
NTC2239	409	NTC3040	394	NTC4099	346	NTC4571	302	NTC5171	413	NTC5634	406
NTC2240	409	NTC3042	394	NTC4172	337	NTC4571	306	NTC5171	416	NTC5634	408
NTC2243	372	NTC3048	394	NTC4173	337	NTC4571	307	NTC5172	394	NTC5634	409
NTC2306	144	NTC3065	583	NTC4205	97	NTC4571	309	NTC5172	416	NTC5648	408
NTC2316	416	NTC3237	143	NTC4207	338	NTC4602	403	NTC5173	416	NTC5648	409



PART NO	PAGE	PART NO	PAGE	PART NO	PAGE	PART NO	PAGE	PART NO	PAGE	PART NO	PAGE
NTC5655	418	NTC5879	379	NTC6769	377	NTC6868L	355	NTC7272	144	NTC7375	395
NTC5657	396	NTC5879	380	NTC6769	378	NTC6872	379	NTC7280	338	NTC7382	354
NTC5683	580	NTC5890	252	NTC6769	379	NTC6872	380	NTC7280	340	NTC7394	308
NTC5683	583	NTC5897	194	NTC6769	380	NTC6891	381	NTC7280	341	NTC7395	409
NTC5689RUN	315	NTC5897	234	NTC6770	377	NTC6891	382	NTC7282	349	NTC7396	295
NTC5690	373	NTC5916	381	NTC6770	378	NTC6916	334	NTC7282	355	NTC7403	346
NTC5741	233	NTC5916	382	NTC6770	379	NTC6937	386	NTC7283	349	NTC7404	346
NTC5743	193	NTC5918	348	NTC6770	380	NTC6994	273	NTC7283	354	NTC7413	400
NTC5743	233	NTC5920	349	NTC6771	377	NTC6994	543	NTC7291	364	NTC7418	310
NTC5754	211	NTC5944	349	NTC6771	378	NTC7041	579	NTC7294	755	NTC7462	310
NTC5754	235	NTC6070	332	NTC6771	379	NTC7042	583	NTC7297	412	NTC7476	331
NTC5787	376	NTC6085	297	NTC6771	380	NTC7080PUB	869	NTC7297	424	NTC7477	331
NTC5787	378	NTC6085	300	NTC6776	301	NTC7099PUB	869	NTC7298	417	NTC7480	426
NTC5787	379	NTC6086	307	NTC6776	308	NTC7128	578	NTC7298	424	NTC7484	334
NTC5787	380	NTC6106	304	NTC6781	297	NTC7134	437	NTC7298	425	NTC7487	400
NTC5794	194	NTC6115	543	NTC6785	415	NTC7161	425	NTC7311	381	NTC7491	398
NTC5794	234	NTC6125	372	NTC6785	416	NTC7161	427	NTC7312	381	NTC7491	400
NTC5799	193	NTC6126	315	NTC6790	329	NTC7189	334	NTC7314	528	NTC7492	400
NTC5799	233	NTC6127	405	NTC6828	301	NTC7196	403	NTC7319	405	NTC7493	400
NTC5803	396	NTC6166	193	NTC6836	301	NTC7196	406	NTC7320	403	NTC7497	400
NTC5838	233	NTC6166	233	NTC6837	301	NTC7223	417	NTC7321	403	NTC7503	381
NTC5858	376	NTC6195	373	NTC6847	412	NTC7260	346	NTC7331	297	NTC7503	383
NTC5858	378	NTC6279	20	NTC6847	414	NTC7263	583	NTC7335	388	NTC7503	662
NTC5859	376	NTC6280	20	NTC6847	418	NTC7267	376	NTC7345	405	NTC7558	192
NTC5859	378	NTC6281	20	NTC6847	422	NTC7267	378	NTC7348	404	NTC7565	353
NTC5859	379	NTC6282	192	NTC6856	864	NTC7267	379	NTC7348	406	NTC7567	400
NTC5859	380	NTC6732	331	NTC6857	864	NTC7267	380	NTC7349	381	NTC7567	401
NTC5867	144	NTC6733	331	NTC6860	297	NTC7269	252	NTC7349	383	NTC7573	343
NTC5879	376	NTC6734	416	NTC6868	359	NTC7270	144	NTC7362	409	NTC7575	864
NTC5879	378	NTC6741	376	NTC6868L	350	NTC7271	144	NTC7366	334	NTC7611	377

PART NO	PAGE	PART NO	PAGE	PART NO	PAGE	PART NO	PAGE	PART NO	PAGE	PART NO	PAGE
NTC7611	378	NTC8113	339	NTC8614	358	NTC9310	353	NTC9548	361	NTC9847	313
NTC7611	379	NTC8127	346	NTC8865	331	NTC9311	348	NTC9548	319	NTC9858	345
NTC7611	380	NTC8166	864	NTC8866	331	NTC9312	348	NTC9588	650	NTC9858	347
NTC7634	869	NTC8202	301	NTC8870	349	NTC9313	348	NTC9588	651	NTC9858	352
NTC7635	869	NTC8202	308	NTC8871	349	NTC9314	348	NTC9607	325	NTC9932	303
NTC7643	346	NTC8232	573	NTC8872	363	NTC9349	358	NTC9751	353	NTC9939LNF	316
NTC7646	390	NTC8232	574	NTC8874	363	NTC9350	358	NTC9752	348	NTC9940LNF	316
NTC7670	350	NTC8239	585	NTC8960	393	NTC9415	59	NTC9753	350	NTC9945LNF	316
NTC7670	356	NTC8242	362	NTC8960	397	NTC9416	59	NTC9753	355	NTC9946LNF	316
NTC7670	360	NTC8242	363	NTC9013	359	NTC9429	329	NTC9753	358	NTC9948LNF	316
NTC7670	361	NTC8242	364	NTC9027	305	NTC9429	331	NTC9753	359	NTC9949LNF	316
NTC7676	362	NTC8282	577	NTC9038	363	NTC9430	329	NTC9811	311	NTC9951	319
NTC7688	363	NTC8286	117	NTC9039	363	NTC9440	319	NTC9812	311	NTC9951	652
NTC7689	362	NTC8288	45	NTC9040	363	NTC9440	649	NTC9814	311	NTC9952	319
NTC7689	363	NTC8289	165	NTC9041	363	NTC9461	296	NTC9815	311	NTC9952	653
NTC7718	415	NTC8328	304	NTC9235	321	NTC9462	296	NTC9819	300	NTC9959	343
NTC7794RUN	372	NTC8362	359	NTC9236	321	NTC9530	351	NTC9820	307	NTC9970	358
NTC7795RUN	372	NTC8374	355	NTC9273	362	NTC9530	356	NTC9822	300	NTC9971	358
NTC7821	315	NTC8375	355	NTC9292	363	NTC9530	364	NTC9822	307	NTC9980	870
NTC7829	864	NTC8390	325	NTC9293	363	NTC9545	350	NTC9823	300	NT108041L	248
NTC7830	334	NTC8416E	321	NTC9300	361	NTC9545	356	NTC9823	307	NT110041L	190
NTC7833	583	NTC8474	536	NTC9301	361	NTC9545	360	NTC9824	300	NT112041L	272
NTC7847	424	NTC8476	298	NTC9303	359	NTC9546	350	NTC9824	307	NT112041L	275
NTC7848	424	NTC8477	298	NTC9304	359	NTC9546	356	NTC9825	312	NT124041	139
NTC7849	416	NTC8478	317	NTC9304	361	NTC9546	361	NTC9826	311	NT606041L	339
NTC7853	192	NTC8588	329	NTC9305	359	NTC9547	350	NTC9826	312	NT614041L	322
NTC7859	354	NTC8590	329	NTC9305	361	NTC9547	356	NTC9828	300	NV10041L	870
NTC7862	345	NTC8611	358	NTC9307	353	NTC9547	360	NTC9830	297	NV106041L	424
NTC7952	329	NTC8612	358	NTC9308	353	NTC9548	350	NTC9845	307	NV108041L	406
NTC8113	336	NTC8613	358	NTC9309	353	NTC9548	356	NTC9846	304	NV108041L	407



# RANGE ROVER 1992 onwards

## 937

# NUMERICAL INDEX

PART NO	PAGE	PART NO	PAGE	PART NO	PAGE	PART NO	PAGE	PART NO	PAGE	PART NO	PAGE
NV108041L	408	NY108041L	307	NY114041L	296	NY910041L	656	PRC4143	502	PRC4831	638
NV108041L	409	NY108041L	386	NY116041L	20	NZ606041L	255	PRC4268	512	PRC5003	472
NV110041L	404	NY108041L	612	NY116041L	263	NZ606041L	256	PRC4268	514	PRC5060	573
NV110041L	405	NY108041L	815	NY116041L	284	PA103061	228	PRC4268	516	PRC5072	505
NV112041L	256	NY108051L	129	NY116051L	297	PA103061	230	PRC4268	518	PRC5086	122
NV116041L	301	NY108051L	45	NY120041L	242	PA108101L	207	PRC4268	571	PRC5092	527
NV116041L	308	NY110041	308	NY120041L	246	PC108291	372	PRC4273	489	PRC5208	130
NV604141L	325	NY110041L	390	NY120041L	297	PC108321L	374	PRC4273	490	PRC5235	473
NY105041	76	NY110041L	143	NY120041L	305	PFS104L	662	PRC4299	571	PRC5235	474
NY105041L	418	NY110041L	144	NY604041	101	PFS410L	464	PRC4304	571	PRC5236	473
NY106041	211	NY110041L	192	NY604041L	328	PRC1352	557	PRC4324	545	PRC5237	170
NY106041	235	NY110041L	227	NY604041L	658	PRC1352	558	PRC4327	556	PRC5237	473
NY106041	237	NY110041L	301	NY605041L	315	PRC1360	123	PRC4370	545	PRC5240	170
NY106041	370	NY110041L	305	NY605041L	317	PRC1634	471	PRC4412	476	PRC5254	510
NY106041	414	NY110041L	376	NY606041L	262	PRC2167	459	PRC4412	480	PRC5254	511
NY106041	422	NY110041L	377	NY606041L	283	PRC2167	461	PRC4427	512	PRC5255	471
NY106041L	244	NY110041L	378	NY606041L	315	PRC2415	541	PRC4427	514	PRC5255	510
NY106041L	327	NY110041L	379	NY606041L	605	PRC2416	541	PRC4497	571	PRC5255	511
NY106041L	358	NY110041L	380	NY606041L	869	PRC2438	562	PRC4540	871	PRC5273	470
NY106041L	359	NY110041L	387	NY607041L	322	PRC2911	190	PRC4543	485	PRC5274	470
NY106041L	381	NY110041L	783	NY607041L	595	PRC2924	469	PRC4543	486	PRC5425	505
NY106041L	382	NY110041L	789	NY607041L	862	PRC2949	469	PRC4615	561	PRC5436	428
NY106041L	412	NY110041L	791	NY608041L	296	PRC3139	193	PRC4643	167	PRC5436	430
NY106041L	418	NY110051L	303	NY608041L	303	PRC3180	128	PRC4719	565	PRC5438	505
NY106041L	580	NY112041	306	NY608041L	322	PRC3359	34	PRC4719	641	PRC5440	560
NY106041L	584	NY112041	309	NY608041L	582	PRC3505	108	PRC4719	644	PRC5620	695
NY106041L	75	NY112041L	20	NY608041L	585	PRC3623	130	PRC4721	565	PRC5652	560
NY106041L	76	NY112041L	307	NY610041L	304	PRC3916	638	PRC4721	641	PRC5669	170
NY108041L	144	NY112041L	870	NY612041	303	PRC3916	660	PRC4721	644	PRC5751	489
NY108041L	300	NY112051	300	NY910041L	645	PRC4138	472	PRC4754	510	PRC5751	490





## RANGE ROVER 1992 onwards

938

## NUMERICAL INDEX

PART NO	PAGE	PART NO	PAGE	PART NO	PAGE	PART NO	PAGE	PART NO	PAGE	PART NO	PAGE
PRC5752	490	PRC6580	472	PRC6969	560	PRC7288	563	PRC7918	108	PRC8098	644
PRC5797	573	PRC6590	573	PRC7045	559	PRC7303	512	PRC7921	531	PRC8099	647
PRC5797	574	PRC6590	574	PRC7054	512	PRC7303	514	PRC7925	424	PRC8123	503
PRC6017	541	PRC6609	243	PRC7054	514	PRC7303	516	PRC7925	426	PRC8125	460
PRC6018	543	PRC6617	543	PRC7054	569	PRC7303	518	PRC7929	537	PRC8125	462
PRC6029	569	PRC6721	572	PRC7054	570	PRC7303	522	PRC7934	460	PRC8130	871
PRC6029	570	PRC6726	571	PRC7062	405	PRC7303	563	PRC7949	543	PRC8155	429
PRC6030	569	PRC6791	572	PRC7065	471	PRC7331	560	PRC7963	460	PRC8155	430
PRC6030	570	PRC6796	513	PRC7084	168	PRC7365	123	PRC7984	243	PRC8170	153
PRC6031	569	PRC6796	515	PRC7084E	168	PRC7404	512	PRC7987	468	PRC8172	527
PRC6031	570	PRC6796	517	PRC7093	472	PRC7404	514	PRC7989	460	PRC8222	562
PRC6032	569	PRC6796	519	PRC7100	472	PRC7413	512	PRC7989	462	PRC8223	562
PRC6032	570	PRC6796	563	PRC7129	379	PRC7413	514	PRC7989	508	PRC8330	507
PRC6044	562	PRC6797	507	PRC7129	380	PRC7413	516	PRC7991	460	PRC8473	233
PRC6066	467	PRC6799	560	PRC7130	319	PRC7413	518	PRC7992	459	PRC8473	236
PRC6144	123	PRC6826	557	PRC7131	663	PRC7457	559	PRC7992	460	PRC8473	238
PRC6180	698	PRC6826	558	PRC7140	512	PRC7484	524	PRC7994	459	PRC8483	569
PRC6188	473	PRC6839	557	PRC7140	514	PRC7490	594	PRC7994	460	PRC8483	570
PRC6259	573	PRC6839	558	PRC7142	319	PRC7498	537	PRC7997	460	PRC8531	537
PRC6260	573	PRC6855	560	PRC7147	381	PRC7781	557	PRC7998	460	PRC8536	696
PRC6260	574	PRC6857	559	PRC7153	570	PRC7862	524	PRC8005	527	PRC8537	696
PRC6314	428	PRC6859	564	PRC7154	570	PRC7863	593	PRC8007	527	PRC8538	696
PRC6314	430	PRC6859	565	PRC7169	491	PRC7865	593	PRC8009	527	PRC8539	696
PRC6387	138	PRC6864	512	PRC7169	492	PRC7872	513	PRC8010	443	PRC8548	469
PRC6387	27	PRC6864	514	PRC7170	491	PRC7872	515	PRC8045	554	PRC8548	471
PRC6387	65	PRC6881	505	PRC7170	492	PRC7872	517	PRC8076	470	PRC8549RUN	548
PRC6388	346	PRC6895	560	PRC7198LUM	471	PRC7872	519	PRC8077	470	PRC8550RUN	548
PRC6518L	469	PRC6913	525	PRC7204	102	PRC7913	502	PRC8095	569	PRC8551RUN	548
PRC6518L	471	PRC6939	660	PRC7248	489	PRC7914	502	PRC8096	569	PRC8552RUN	548
PRC6574	123	PRC6947	28	PRC7249	489	PRC7917	149	PRC8098	641	PRC8559	562



PART NO	PAGE	PART NO	PAGE	PART NO	PAGE	PART NO	PAGE	PART NO	PAGE	PART NO	PAGE
PRC8560	616	PRC8907	648	PRC9256	493	PRC9467	494	PRC9668	378	PRC9983	565
PRC8700	512	PRC8907	650	PRC9258	494	PRC9468	494	PRC9677	230	PRC9984	564
PRC8700	514	PRC8907	651	PRC9259	494	PRC9500	473	PRC9681	663	PRC9991	573
PRC8719	695	PRC8910	502	PRC9260	568	PRC9501	473	PRC9758	536	PRC9991	574
PRC8720	695	PRC8920	549	PRC9260	570	PRC9515	526	PRC9841	557	PRC9993	462
PRC8724	505	PRC8941	459	PRC9261	568	PRC9532	491	PRC9841	558	PS104127L	229
PRC8732	547	PRC8942	459	PRC9261	570	PRC9533	547	PRC9841	562	PS104127L	230
PRC8733	547	PRC8943	459	PRC9262	569	PRC9548	502	PRC9859	230	PS104127L	374
PRC8738	547	PRC8945	460	PRC9263	510	PRC9549	468	PRC9864	568	PS105251	301
PRC8738	550	PRC8949	464	PRC9263	565	PRC9581	549	PRC9866	502	PS105251	308
PRC8739	502	PRC8950	464	PRC9265	500	PRC9603	537	PRC9867	502	PS105321	322
PRC8740	502	PRC8952	466	PRC9267	500	PRC9611	526	PRC9903	471	PS105321	325
PRC8746	573	PRC8953	466	PRC9267	501	PRC9613	476	PRC9904	562	PS106321L	303
PRC8800	490	PRC8959	463	PRC9290	490	PRC9614	476	PRC9915	338	PS603041L	334
PRC8816	460	PRC8960	463	PRC9291	490	PRC9615	476	PRC9915	537	PS603041L	336
PRC8816	462	PRC9033	547	PRC9292	489	PRC9616	476	PRC9918	476	PS606101L	105
PRC8838	569	PRC9033	549	PRC9293	489	PRC9617	475	PRC9919	476	PS608101	284
PRC8843	510	PRC9033	552	PRC9294	491	PRC9618	475	PRC9920	476	PS608101L	263
PRC8843	564	PRC9034	550	PRC9295	491	PRC9619	475	PRC9921	476	PS608101L	303
PRC8860	502	PRC9034	553	PRC9295	492	PRC9633	485	PRC9922	475	QRB10006LNF	319
PRC8876	512	PRC9035	550	PRC9296	493	PRC9634	485	PRC9923	475	QYH10005L	316
PRC8876	514	PRC9035	553	PRC9299	498	PRC9635	527	PRC9924	475	RA608126L	423
PRC8876	516	PRC9052	562	PRC9300	498	PRC9636	527	PRC9925	475	RA608127	526
PRC8876	518	PRC9087	502	PRC9345RUN	551	PRC9637	472	PRC9948	516	RA608127	658
PRC8881	502	PRC9093	468	PRC9409	376	PRC9638	493	PRC9948	518	RA608183	661
PRC8882	513	PRC9143LNF	554	PRC9410	545	PRC9639	485	PRC9949	517	RA610167	471
PRC8882	515	PRC9143RUN	551	PRC9410	546	PRC9640	485	PRC9949	519	RA612156	535
PRC8882	517	PRC9145RUN	551	PRC9410	702	PRC9641	485	PRC9956	505	RA612183	115
PRC8882	519	PRC9146	37	PRC9461	547	PRC9666	522	PRC9957	516	RA612183	512
PRC8907	319	PRC9234	547	PRC9464	552	PRC9666	573	PRC9957	518	RA612183	514

PART NO	PAGE	PART NO	PAGE	PART NO	PAGE	PART NO	PAGE	PART NO	PAGE	PART NO	PAGE
RA612183	569	RTC299310	57	RTC3743	656	RTC4288	215	RTC4408	324	RTC4507	476
RA612183	570	RTC3095	264	RTC3745	685	RTC4289	215	RTC4409	324	RTC4507	480
RN608223	685	RTC3197	120	RTC3746	770	RTC4290	215	RTC4410	324	RTC4507	483
RN608343	685	RTC3201	120	RTC3746	772	RTC4291	215	RTC4412	323	RTC4507	569
RRO2125L	411	RTC3254	142	RTC3764	728	RTC4295	227	RTC4412	324	RTC4507	570
RRO2126L	411	RTC3406	246	RTC3814	634	RTC4300	227	RTC4481	476	RTC4587	255
RTC1136	365	RTC3429	277	RTC3815	634	RTC4301	227	RTC4481	480	RTC4587	256
RTC1146	658	RTC3429	278	RTC3816	635	RTC4307	227	RTC4497	476	RTC4614	560
RTC1526	365	RTC3429	279	RTC3817	635	RTC4308	227	RTC4497	480	RTC4615	459
RTC1526	367	RTC3429	287	RTC3830	467	RTC4313	227	RTC4497	537	RTC4643	215
RTC1526	369	RTC3429	288	RTC3832	467	RTC4314	227	RTC4498	476	RTC4644	215
RTC1698	562	RTC3429	291	RTC3942	111	RTC4315	227	RTC4498	480	RTC4645	215
RTC1718	93	RTC3458	256	RTC3953	657	RTC4320	216	RTC4498	550	RTC4647	217
RTC171810	93	RTC3519	310	RTC3954	657	RTC4335	218	RTC4498	553	RTC4648	215
RTC171820	93	RTC3635	505	RTC3957	560	RTC4336	218	RTC4501	476	RTC4649	216
RTC1799	325	RTC3635	545	RTC3958	560	RTC4338	218	RTC4501	480	RTC4650	227
RTC2117	95	RTC3635	546	RTC3959	559	RTC4339	218	RTC4501	484	RTC4652	216
RTC211710	95	RTC3635	695	RTC3961	559	RTC4393	323	RTC4501	537	RTC4653	216
RTC211720	95	RTC3650	559	RTC4198	322	RTC4394	323	RTC4503	476	RTC4655	216
RTC222	562	RTC3650	562	RTC4264	657	RTC4395	323	RTC4503	480	RTC4656	216
RTC2726	264	RTC3670	326	RTC4268	216	RTC4398	323	RTC4503	483	RTC4657	216
RTC2726	285	RTC3687	609	RTC4276	216	RTC4399	323	RTC4503	484	RTC4658	215
RTC2765SL	139	RTC3724	684	RTC4277	216	RTC4400	323	RTC4504	476	RTC4659	227
RTC276525L	139	RTC3725	590	RTC4278	216	RTC4401	323	RTC4504	480	RTC4660	222
RTC2825	17	RTC3725	613	RTC4279	216	RTC4402	324	RTC4504	483	RTC4661	227
RTC2825	56	RTC3725	684	RTC4280	216	RTC4403	324	RTC4504	484	RTC4662	227
RTC2914	185	RTC3743	460	RTC4281	216	RTC4404	324	RTC4505	572	RTC4663	227
RTC2993	18	RTC3743	462	RTC4282	216	RTC4405	324	RTC4506	476	RTC4683	392
RTC2993	57	RTC3743	641	RTC4285	215	RTC4406	324	RTC4506	480	RTC4779	560
RTC299310	18	RTC3743	644	RTC4286	215	RTC4407	324	RTC4506	563	RTC4783	17

PART NO	PAGE	PART NO	PAGE	PART NO	PAGE	PART NO	PAGE	PART NO	PAGE	PART NO	PAGE
RTC4783	56	RTC4957	159	RTC5049	130	RTC5123	223	RTC5154	224	RTC5189	225
RTC478310	56	RTC4958	154	RTC5050	130	RTC5124	220	RTC5155	222	RTC5190	225
RTC4819	392	RTC4960	162	RTC5053E	127	RTC5125	224	RTC5156	222	RTC5191	225
RTC4825	329	RTC4961	155	RTC5054	128	RTC5126	220	RTC5157	222	RTC5192	225
RTC4825	331	RTC4962	154	RTC5054	168	RTC5126	223	RTC5158	222	RTC5193	225
RTC4826	329	RTC4963	162	RTC5089	120	RTC5126	224	RTC5159	222	RTC5203	215
RTC4826	331	RTC4964	171	RTC5090	122	RTC5127	224	RTC5160	222	RTC5209	216
RTC4826	332	RTC4966	138	RTC5091	120	RTC5128	224	RTC5161	221	RTC5211	227
RTC4848	561	RTC4967	154	RTC5100	232	RTC5129	226	RTC5162	221	RTC5212	227
RTC4854	215	RTC4968	154	RTC5101	232	RTC5134	222	RTC5163	221	RTC5228E	130
RTC4892	151	RTC4968	158	RTC5102	218	RTC5135	221	RTC5164	221	RTC5244	464
RTC4893	156	RTC4969	155	RTC5103	218	RTC5135	222	RTC5171	221	RTC5271	567
RTC4894	161	RTC4972	162	RTC5105	218	RTC5136	222	RTC5171	226	RTC5271	568
RTC4894	409	RTC4993	163	RTC5106	218	RTC5137	221	RTC5172	226	RTC5272	567
RTC4910	161	RTC5003	141	RTC5107	218	RTC5137	222	RTC5173	223	RTC5272	568
RTC4910E	161	RTC5004	161	RTC5108	218	RTC5138	221	RTC5174	223	RTC5273	567
RTC4916	149	RTC5008	228	RTC5109	218	RTC5139	221	RTC5175	223	RTC5273	568
RTC4923	155	RTC5015	162	RTC5110	218	RTC5141	219	RTC5176	223	RTC5275	567
RTC4924	156	RTC5016	153	RTC5111	218	RTC5142	219	RTC5177	223	RTC5275	568
RTC4927	172	RTC5016	158	RTC5112	218	RTC5143	219	RTC5178	223	RTC5281	567
RTC4930	669	RTC5016	161	RTC5113	218	RTC5144	219	RTC5179	223	RTC5281	568
RTC4931	669	RTC5017	161	RTC5114	218	RTC5145	220	RTC5180	225	RTC5294	466
RTC4937	215	RTC5018	161	RTC5115	218	RTC5146	220	RTC5181	225	RTC5295	466
RTC4939	391	RTC5024	639	RTC5116	218	RTC5147	220	RTC5182	225	RTC5370	47
RTC4941	162	RTC5024	642	RTC5117	218	RTC5148	220	RTC5183	225	RTC5555	639
RTC4943	161	RTC5025	639	RTC5121	220	RTC5149	220	RTC5184	225	RTC5555	642
RTC4945	172	RTC5025	642	RTC5121	223	RTC5150	227	RTC5185	225	RTC5556	639
RTC4947	170	RTC5046	126	RTC5122	220	RTC5151	224	RTC5186	225	RTC5556	642
RTC4951	161	RTC5047	126	RTC5122	223	RTC5152	224	RTC5187	225	RTC5604	507
RTC4952	161	RTC5048	130	RTC5123	220	RTC5153	224	RTC5188	225	RTC5605	507



PART NO	PAGE	PART NO	PAGE	PART NO	PAGE	PART NO	PAGE	PART NO	PAGE	PART NO	PAGE
RTC5605	563	RTC5724	154	RTC5831	345	RTC5965	112	RTC6023	243	RTC608	401
RTC5609	127	RTC5725	154	RTC5832	345	RTC5979A	868	RTC6024	243	RTC609	99
RTC5609	168	RTC5726	153	RTC5833	345	RTC5979T	867	RTC6025	242	RTC6090	244
RTC5610	127	RTC5728A	868	RTC5834	345	RTC5980A	868	RTC6026	246	RTC6091	242
RTC5610	168	RTC5728T	867	RTC5840	266	RTC5980T	867	RTC6027	246	RTC6092	247
RTC5611	128	RTC5733	217	RTC5841	266	RTC5981A	868	RTC6028	246	RTC610	578
RTC5611	168	RTC5734	217	RTC5841	269	RTC5981T	867	RTC6029	247	RTC611	595
RTC5623	567	RTC5735	217	RTC5842	266	RTC5982A	868	RTC603	541	RTC611	862
RTC5624	154	RTC5750	170	RTC5843	266	RTC5982T	867	RTC6031	247	RTC6111LUL	706
RTC5628	123	RTC5751	170	RTC5847	47	RTC5983A	868	RTC6032	247	RTC6112SUA	706
RTC5670	126	RTC5752	170	RTC5869	325	RTC5983T	867	RTC6035	247	RTC6114	126
RTC5670	167	RTC5753	170	RTC5870	325	RTC5987	160	RTC6036	247	RTC6114	167
RTC5671	126	RTC5754	170	RTC5889	367	RTC5988	160	RTC6037	245	RTC6114	168
RTC5671	167	RTC5759	507	RTC5889	369	RTC5989	466	RTC6038	245	RTC6114	47
RTC5671	47	RTC5770	392	RTC5890	367	RTC5990	466	RTC6039	245	RTC6115	97
RTC5675	165	RTC5779A	877	RTC5890	369	RTC5995	243	RTC6040	245	RTC613	110
RTC5679	111	RTC5781A	877	RTC5907	114	RTC5996	247	RTC6041	241	RTC613	315
RTC5680E	126	RTC5782A	877	RTC5907	345	RTC5998	247	RTC6044	242	RTC613	320
RTC5681E	167	RTC5786	567	RTC5917	861	RTC601	595	RTC6045	241	RTC613	591
RTC5681E	47	RTC5786	568	RTC5918	92	RTC601	862	RTC6046	241	RTC613	613
RTC5681N	167	RTC5789	567	RTC5925	167	RTC6011	243	RTC6049	247	RTC613	618
RTC5687	126	RTC5790	567	RTC5925	168	RTC6014	243	RTC6053	241	RTC613	619
RTC5687	167	RTC5792	227	RTC5925	47	RTC6015	242	RTC6057	247	RTC613	621
RTC5688	167	RTC5796	567	RTC5926	167	RTC6018	242	RTC6059	242	RTC613	630
RTC5688	47	RTC5796	568	RTC5926	47	RTC6018	245	RTC606	654	RTC6138	442
RTC5689	47	RTC5797	567	RTC5928	127	RTC6019	243	RTC6060	242	RTC6139	442
RTC5691	505	RTC5797	568	RTC5928	168	RTC6020	242	RTC6061N	130	RTC6143	443
RTC5695	580	RTC5798	567	RTC5929	465	RTC6020	243	RTC6066S	95	RTC6147	452
RTC5696	580	RTC5798	568	RTC5931	361	RTC6021	243	RTC6074	117	RTC6147	455
RTC5723	154	RTC5818	216	RTC5938	391	RTC6022	243	RTC6075	117	RTC6166	128

PART NO	PAGE	PART NO	PAGE	PART NO	PAGE	PART NO	PAGE	PART NO	PAGE	PART NO	PAGE
RTC618	609	RTC6407	568	RTC6495	352	RTC6564	69	RTC6651	171	RTC6698	436
RTC618	770	RTC6408	567	RTC6496	347	RTC6580	538	RTC6652	171	RTC6698	662
RTC618	815	RTC6408	568	RTC6496	352	RTC6593	428	RTC6653	139	RTC6699	436
RTC6187	625	RTC6409	567	RTC6497	536	RTC6594	215	RTC6654	139	RTC6699	662
RTC6188	625	RTC6409	568	RTC6498	347	RTC6597	538	RTC6655	139	RTC6702	158
RTC6203	661	RTC6410	567	RTC6498	352	RTC6598	538	RTC6656	145	RTC6702	39
RTC6204	661	RTC6410	568	RTC6506	796	RTC6600	538	RTC6657	145	RTC6702	78
RTC6297	618	RTC6411	567	RTC6507	796	RTC6601	538	RTC6658	145	RTC6703	158
RTC6298	618	RTC6411	568	RTC6508	797	RTC6602	538	RTC6659	158	RTC6704	149
RTC6341	603	RTC6412	567	RTC6509	797	RTC6604	538	RTC6660	159	RTC6705	149
RTC6345	476	RTC6414R	90	RTC6512	799	RTC6605	538	RTC6661	158	RTC6707	149
RTC6345	480	RTC6415A	868	RTC6513	799	RTC6607	538	RTC6663	137	RTC6708	149
RTC6363	242	RTC6415T	867	RTC6514	800	RTC6607	540	RTC6666	146	RTC6709	140
RTC6367	560	RTC6449	151	RTC6515	800	RTC6608	538	RTC6667	153	RTC6710	140
RTC6368	611	RTC6450	151	RTC6522	796	RTC6634A	868	RTC6668	146	RTC6711	138
RTC6370	241	RTC6451	151	RTC6523	796	RTC6634T	867	RTC6669	146	RTC6712	158
RTC6370	243	RTC6455	619	RTC6524	797	RTC6635	13	RTC6670	146	RTC6713	158
RTC6370	244	RTC6457	18	RTC6525	797	RTC6640	633	RTC6671	146	RTC6714	158
RTC6371	242	RTC6465	668	RTC6528	799	RTC6640	634	RTC6673	153	RTC6715	158
RTC6376	148	RTC6490	347	RTC6529	799	RTC6641	633	RTC6674	151	RTC6716	145
RTC6387	633	RTC6490	352	RTC6530	800	RTC6641	634	RTC6683	698	RTC6717	156
RTC6388	633	RTC6491	347	RTC6531	800	RTC6642	635	RTC6693	428	RTC6717	161
RTC6395	23	RTC6491	352	RTC6535	41	RTC6643	635	RTC6693	430	RTC6718	156
RTC6396	321	RTC6492	347	RTC6536	41	RTC6644	164	RTC6694	430	RTC6719	149
RTC6397	321	RTC6492	352	RTC6537	41	RTC6645	141	RTC6695	428	RTC6730	179
RTC6401A	868	RTC6493	347	RTC6538	41	RTC6646	141	RTC6695	430	RTC6731	172
RTC6401T	867	RTC6493	352	RTC6539	41	RTC6647	137	RTC6696	428	RTC6732	40
RTC6402A	868	RTC6494	347	RTC6551	124	RTC6648	137	RTC6696	430	RTC6733	40
RTC6402T	867	RTC6494	352	RTC6561	245	RTC6649	137	RTC6697	428	RTC6734	40
RTC6407	567	RTC6495	347	RTC6564	30	RTC6650	171	RTC6697	430	RTC6735	40



# RANGE ROVER 1992 onwards

944

# NUMERICAL INDEX

PART NO	PAGE	PART NO	PAGE	PART NO	PAGE	PART NO	PAGE	PART NO	PAGE	PART NO	PAGE
RTC6736	782	RTC6779	153	RTC9475	892	RTC9562	680	SB106121L	835	SE105101L	663
RTC6741	347	RTC6780	153	RTC9476	892	RTC9565	869	SB106121L	838	SE105121	400
RTC6741	352	RTC6786	168	RTC9477	892	RTC9581	869	SB106121L	848	SE105121L	572
RTC6744	442	RTC6798	712	RTC9478	892	RTC9582	872	SB108201L	783	SE105121L	861
RTC6745	442	RTC6798	714	RTC9498	888	RTC9582	874	SB108201L	789	SE105161L	609
RTC6748R	90	RTC6798	715	RTC9499	869	RTC9585	887	SB108201L	791	SE105165L	561
RTC6751	181	RTC6810A	868	RTC9507AB	893	RTC9586AA	888	SB108201L	803	SE105165L	711
RTC6754	269	RTC6810T	867	RTC9520	876	RTC9587	876	SB108201L	806	SE105301L	536
RTC6755	269	RTC6811	269	RTC9521	888	RTC9589	891	SB108201L	809	SE105301L	719
RTC6760	117	RTC6825	326	RTC9522	888	RTC9594	890	SB108201L	812	SE106101L	21
RTC6761	137	RTC6833	165	RTC9523	888	RTC9596	879	SB108201L	814	SE106121L	526
RTC6761	140	RTC6869A	868	RTC9524	888	RTC9598	879	SB108401	783	SE106121L	633
RTC6762	137	RTC6869T	867	RTC9526	294	RU608123L	658	SB108401	789	SE106121L	634
RTC6763	137	RTC6870A	868	RTC9526	891	RU612183	705	SB108401	791	SE106121L	635
RTC6764	137	RTC6870T	867	RTC9526POL	891	RU612183	710	SB108401	803	SE106121L	640
RTC6765	137	RTC6896	28	RTC9526RGT	294	RU612183	864	SB108401	806	SE106121L	643
RTC6766	137	RTC7407	442	RTC9526RGV	294	RU612253	606	SB108401	809	SE106121L	646
RTC6767	142	RTC8032	880	RTC9526RGW	294	RU612253	864	SB108401	812	SE106161L	358
RTC6768	164	RTC8091RUN	702	RTC9526RGX	294	RU612373L	862	SB108401	814	SE106161L	409
RTC6769	148	RTC8092	880	RTC9526RGY	294	RY612533	677	SC104141L	112	SE106161L	434
RTC6770	148	RTC8093	880	RTC9526RHF	294	SA105201	658	SC104141L	660	SE106161L	526
RTC6771	145	RTC8094	880	RTC9526RHG	294	SA106251	569	SE104081L	552	SE106161L	680
RTC6772	145	RTC8146	872	RTC9526RUT	294	SA106251	570	SE104121L	374	SE106161L	820
RTC6773	146	RTC8147	872	RTC9527	888	SA108201	250	SE104161L	319	SE106161L	830
RTC6773	153	RTC8857	879	RTC9531	869	SA108201	251	SE104161L	466	SE106161L	834
RTC6774	149	RTC8891	869	RTC9534AB	882	SA108201L	249	SE104161L	468	SE106161L	837
RTC6775	171	RTC8913G	888	RTC9535	295	SB106121	821	SE104161L	698	SE106161L	839
RTC6776	365	RTC8914G	888	RTC9535	891	SB106121	831	SE105101	552	SE106161L	841
RTC6777	365	RTC8937	884	RTC9543	892	SB106121	840	SE105101L	543	SE106161L	847
RTC6778	153	RTC8951	880	RTC9548	872	SB106121	842	SE105101L	562	SE106167	609





# RANGE ROVER 1992 onwards

945

# NUMERICAL INDEX

PART NO	PAGE	PART NO	PAGE	PART NO	PAGE	PART NO	PAGE	PART NO	PAGE	PART NO	PAGE
SE106201L	701	SH105121L	664	SH106167	842	SH108201	419	SH110201L	373	SH114401	169
SE106551S	210	SH105161L	37	SH106167L	412	SH108201L	413	SH110201L	376	SH504061L	108
SE106601	190	SH105201L	336	SH106205	677	SH108251L	117	SH110201L	377	SH504061L	96
SE108201L	581	SH105201L	399	SH106251L	177	SH108251L	169	SH110201L	378	SH504081L	113
SE604041L	622	SH105201L	535	SH106251L	214	SH108251L	175	SH110201L	379	SH504161L	100
SE604101	558	SH106061L	252	SH106251L	406	SH108251L	180	SH110201L	380	SH505041L	177
SE604101L	557	SH106101L	139	SH106301L	609	SH108251L	191	SH110201M	376	SH505051L	101
SE604101L	612	SH106101L	175	SH106351L	202	SH108251L	192	SH110201M	378	SH505051L	147
SE910011L	125	SH106101L	230	SH106351L	211	SH108251L	474	SH110201M	379	SH505071L	108
SE910441	659	SH106101L	348	SH106351L	235	SH108251L	611	SH110201M	380	SH505071L	97
SFR23	217	SH106101L	350	SH106351L	237	SH108251L	612	SH110251L	143	SH505081L	194
SF104084L	702	SH106101L	353	SH106451L	177	SH108301L	179	SH110251L	144	SH505081L	234
SF105251L	685	SH106101L	355	SH108101L	165	SH108301L	191	SH110251L	192	SH505091L	104
SF106121L	640	SH106121L	227	SH108121L	415	SH108301L	230	SH110251L	298	SH505091L	99
SF106121L	642	SH106121L	524	SH108151L	611	SH108401L	175	SH110251L	391	SH506071L	104
SF106121L	646	SH106121L	529	SH108151L	76	SH108401L	179	SH110251L	578	SH506071L	406
SF106161	865	SH106121L	530	SH108161L	117	SH108401L	404	SH110301	305	SH506095L	110
SF106201L	850	SH106121L	537	SH108161L	145	SH108401L	406	SH110351L	301	SH506095L	129
SF108201L	250	SH106121L	584	SH108161L	192	SH108401L	408	SH110351L	308	SH506125	122
SF108201L	251	SH106121L	749	SH108161L	231	SH108401L	550	SH110351L	373	SH507091L	97
SF604087	658	SH106141L	142	SH108161L	316	SH108401L	553	SH110351L	387	SH604031L	630
SF604087	659	SH106141L	27	SH108161L	328	SH108451	165	SH110351L	390	SH604031L	631
SF604127	657	SH106141L	343	SH108161L	373	SH108451	594	SH112201	144	SH604041L	111
SH104081L	550	SH106141L	637	SH108161L	377	SH108451	702	SH112201	237	SH604041L	628
SH104081L	553	SH106151L	215	SH108161L	378	SH108501	550	SH112201	59	SH604051L	101
SH104121L	550	SH106161	394	SH108161L	379	SH108501	553	SH112251L	20	SH604051L	24
SH104121L	553	SH106161	414	SH108161L	380	SH110201L	133	SH112252L	252	SH604051L	590
SH104201	691	SH106161	422	SH108161L	392	SH110201L	143	SH112301L	176	SH604051L	771
SH105121L	150	SH106161L	398	SH108161L	411	SH110201L	20	SH112505	272	SH604051L	850
SH105121L	311	SH106161M	209	SH108161L	623	SH110201L	32	SH112505	275	SH604061L	559



PART NO	PAGE	PART NO	PAGE	PART NO	PAGE	PART NO	PAGE	PART NO	PAGE	PART NO	PAGE
SH604061L	608	SH606051L	339	SS108701S	203	STC1133	599	STC1246	86	STC1298LNF	687
SH604061L	871	SH606061L	132	SS108801L	112	STC1134	599	STC1247	48	STC1299LNF	687
SH604071L	328	SH606081L	304	SS110451L	137	STC1135	596	STC1247	86	STC1300LNF	687
SH604071L	366	SH606081L	579	SS110451L	169	STC1136	596	STC1250	131	STC1304	557
SH604071L	369	SH606081L	583	SS110801	50	STC1172	43	STC1250	48	STC1305	557
SH604071L	680	SH606091L	869	SS506060	117	STC1173N	11	STC1250	86	STC1308	557
SH604071L	98	SH606101L	315	SS506121L	130	STC1180	859	STC1251	48	STC1310	540
SH604081L	608	SH607081L	132	SS607061	133	STC1181	348	STC1251	86	STC1311	540
SH604081L	770	SH607101L	101	STC1000N	174	STC1181	353	STC1252	131	STC1314	540
SH605051L	110	SH910241L	525	STC1001N	174	STC1184	120	STC1253	131	STC1316	540
SH605051L	593	SJ106200	821	STC1002R	174	STC1185	120	STC1254	48	STC1318	540
SH605051L	613	SJ106200	832	STC1040	323	STC1191S	95	STC1254	86	STC1319	540
SH605061L	297	SJ106200	842	STC1041	324	STC1202N	11	STC1255	48	STC1320	540
SH605061L	305	SL103121L	656	STC1042	323	STC1205	508	STC1255	86	STC1321	540
SH605061L	320	SP105101L	569	STC1046A	868	STC1205	696	STC1264	367	STC1322	540
SH605061L	342	SP105101L	570	STC1046T	867	STC1206	666	STC1264	369	STC1323	540
SH605061L	343	SS106201	544	STC1051T	867	STC1209	461	STC1265	367	STC1327	540
SH605061L	578	SS106201L	153	STC1051T	868	STC1210	461	STC1265	369	STC1332	540
SH605061L	593	SS106251L	154	STC1060	217	STC1210	462	STC1278	365	STC1333	540
SH605061L	790	SS108161	146	STC1065N	12	STC1219	642	STC1279	367	STC1335	540
SH605061L	801	SS108181L	152	STC1086	63	STC1220	642	STC1279	369	STC1336	540
SH605061L	806	SS108181L	164	STC1093N	174	STC1231	538	STC128	382	STC1337	540
SH605061L	808	SS108201	36	STC1101N	90	STC1241	131	STC128	416	STC1338	540
SH605061L	811	SS108201	75	STC1102N	90	STC1242	131	STC128	417	STC1339	540
SH605061L	814	SS108201	80	STC1106N	90	STC1243	131	STC1282	365	STC1340	540
SH605071L	315	SS108201L	161	STC1107	220	STC1244	48	STC1283	365	STC1341	540
SH605071L	815	SS108251	161	STC1126	342	STC1244	86	STC1286	345	STC1342	540
SH605081L	303	SS108251L	44	STC1126	343	STC1245	48	STC1294LNF	687	STC1347	149
SH605081L	593	SS108301L	38	STC1128	229	STC1245	86	STC1295LNF	687	STC1348T	867
SH605161L	591	SS108401	139	STC1128	231	STC1246	48	STC1296LNF	687	STC1349A	868

PART NO	PAGE	PART NO	PAGE	PART NO	PAGE	PART NO	PAGE	PART NO	PAGE	PART NO	PAGE
STC1349T	867	STC1485	462	STC1573	141	STC1697	79	STC1739	79	STC1851	461
STC1350A	868	STC1486	461	STC158	163	STC1698	79	STC174	666	STC1851	462
STC1350T	867	STC1486	462	STC159	137	STC1699	79	STC175	666	STC1856	120
STC1351A	868	STC150	271	STC1609	551	STC170	666	STC1753	127	STC1857	120
STC1351T	867	STC151	271	STC161	243	STC1700	79	STC1757	483	STC186	666
STC1352A	868	STC152	271	STC1612	461	STC1701	79	STC1758	483	STC1860N	90
STC1352T	867	STC1525	250	STC1612	462	STC1704	340	STC176	666	STC1861N	90
STC1385	562	STC1525	251	STC1613	461	STC1705	340	STC1760	483	STC1862N	90
STC1386	562	STC1526	250	STC1613	462	STC1706	340	STC1761	483	STC1863	433
STC1393	862	STC1526	251	STC1614	461	STC1706	341	STC1761	484	STC1863	449
STC1394	661	STC1527	250	STC1614	462	STC1707	340	STC1763	345	STC1864	536
STC1395	661	STC1527	251	STC1625	549	STC1707	341	STC177	666	STC1865	536
STC1418	372	STC1528	372	STC1625	552	STC1708	340	STC178	666	STC1866	536
STC1437	540	STC153	271	STC1626	635	STC1708	341	STC179	666	STC187	666
STC1440	540	STC1532	250	STC1627	635	STC1709	340	STC1790	506	STC1877	433
STC1442	540	STC1532	251	STC1628	204	STC1709	341	STC1791	506	STC1877	449
STC1443	540	STC1534	250	STC1639	116	STC171	666	STC1792	251	STC1877	508
STC1449A	868	STC1534	251	STC1641	116	STC1710	340	STC1793	251	STC1877	511
STC1449T	867	STC1536	250	STC1643	319	STC1710	341	STC1796	85	STC1878	433
STC1450A	868	STC1536	251	STC1644	552	STC1711	340	STC1799	442	STC1878	449
STC1450T	867	STC1538	250	STC1648	464	STC1711	341	STC180	666	STC1878	508
STC1451A	868	STC1538	251	STC1653	611	STC1712	340	STC1802	546	STC1878	509
STC1451T	867	STC1543N	196	STC1657	560	STC1712	341	STC1803	311	STC1878	511
STC1453	559	STC1544N	196	STC167	666	STC173	666	STC1804LNF	704	STC188	666
STC1454	559	STC1553	349	STC1675	53	STC1730	340	STC1805SUA	704	STC1888	567
STC1455	710	STC1553	354	STC168	666	STC1730	341	STC181	666	STC1888	568
STC1456	710	STC1554	349	STC1693	100	STC1731	340	STC182	666	STC1899	870
STC1472	311	STC1554	354	STC1694	79	STC1732	340	STC1828	770	STC1900	870
STC1474	309	STC1570	151	STC1695	79	STC1736N	52	STC1829	770	STC1901	870
STC1485	461	STC1571	151	STC1696	79	STC1738	79	STC185	666	STC1902	870

PART NO	PAGE	PART NO	PAGE	PART NO	PAGE	PART NO	PAGE	PART NO	PAGE	PART NO	PAGE
STC1903	870	STC268	387	STC398	321	STC577	356	STC701	142	STC8027	875
STC1904	870	STC2761	311	STC420	796	STC577	360	STC709	337	STC8028	879
STC1922	587	STC2764	300	STC420	805	STC577	361	STC717	878	STC804	155
STC1940	588	STC2764	307	STC420	807	STC577	362	STC718	878	STC8046	302
STC1984	546	STC2766	300	STC420	810	STC577	364	STC719	878	STC8047	302
STC206	560	STC2766	307	STC420	813	STC579	267	STC721	878	STC8049	893
STC207	302	STC2768	300	STC421	788	STC579	270	STC722	878	STC805	146
STC208	309	STC2768	307	STC422	788	STC607	568	STC723	878	STC8050	468
STC219	783	STC2794	256	STC422	796	STC608	568	STC724	884	STC8052	888
STC219	789	STC2799	228	STC422	805	STC609	568	STC729	613	STC8053	881
STC219	791	STC2800	318	STC422	808	STC610	568	STC730	613	STC8054	881
STC220	783	STC2834	506	STC422	811	STC611	19	STC743LUL	706	STC806	153
STC220	789	STC2835	506	STC422	813	STC612	391	STC743SUA	706	STC8060	869
STC220	791	STC295	334	STC434	97	STC618	305	STC769	171	STC8061AA	881
STC224	218	STC295	338	STC445	667	STC621	351	STC770	428	STC8062AA	881
STC226	276	STC295	339	STC446	667	STC621	356	STC770	430	STC8063AB	881
STC232	127	STC297	334	STC451	667	STC621	360	STC774	243	STC8064AB	881
STC233	47	STC298	339	STC452	667	STC621	361	STC780	345	STC807	158
STC234	126	STC299	339	STC483	100	STC623	538	STC784A	868	STC8073	872
STC241	299	STC301A	868	STC490	429	STC625	538	STC784T	867	STC808	153
STC241	302	STC301T	867	STC490	430	STC626	538	STC785	243	STC8080	872
STC242	306	STC313	42	STC495	557	STC627	538	STC786	326	STC8081E	321
STC242	309	STC323	592	STC514	796	STC643	459	STC790	403	STC8083E	321
STC244	249	STC334	225	STC514	805	STC64620	95	STC798	337	STC8087	893
STC245	249	STC335	706	STC514	807	STC64720	95	STC8002	883	STC8094	883
STC246	249	STC363	43	STC514	810	STC651S	139	STC8003	883	STC8095	883
STC255	538	STC364	241	STC514	813	STC658	137	STC8004	883	STC8102	875
STC261	667	STC365	242	STC515	788	STC659	476	STC8018L	886	STC8105	880
STC262	39	STC382	644	STC550	428	STC659	480	STC802	337	STC8106	888
STC266	667	STC383	644	STC577	351	STC699	543	STC8026	875	STC8107	888



# RANGE ROVER 1992 onwards

949

# NUMERICAL INDEX

PART NO	PAGE	PART NO	PAGE	PART NO	PAGE	PART NO	PAGE	PART NO	PAGE	PART NO	PAGE
STC8108	888	STC8191	885	STC8292	877	STC8480	889	STC890	324	STC992	223
STC8109	879	STC8193	885	STC830	312	STC8481	889	STC899	334	STC993	223
STC8110	876	STC8194	885	STC8352	877	STC8496	881	STC9A	868	STC994	225
STC8111	876	STC8195	885	STC8358	172	STC851	264	STC9T	867	STC995	225
STC8112	891	STC8196	885	STC8358	50	STC851	285	STC900	334	STC996	225
STC8113	891	STC8197	885	STC837	321	STC8570	368	STC907	216	STC997	225
STC812	151	STC8199	885	STC8382E	321	STC8570	370	STC908S	95	STC998	220
STC8123	876	STC8243	884	STC8384E	321	STC8571	365	STC909S	95	STC999	220
STC8124	886	STC8246AA	884	STC8404P	676	STC8574	368	STC913	311	ST606080L	112
STC8126	891	STC8248	884	STC8405P	676	STC8574	370	STC924	610	SX108201L	172
STC8127	880	STC8249	878	STC8416P	676	STC8575	365	STC925	610	SX108201L	50
STC8130	893	STC825	300	STC8417P	676	STC8577	183	STC929	467	SX108201L	87
STC8131	879	STC8254	877	STC8418P	676	STC8580	313	STC930	216	SX110251	273
STC8132	879	STC8255	877	STC8419P	676	STC862	128	STC932	319	SX110251	275
STC8134	881	STC8256	877	STC8425	888	STC864	430	STC942	313	SX110251M	287
STC8135	879	STC8257	877	STC8427	887	STC87	538	STC944	635	SX110251M	288
STC8137	884	STC8259	877	STC8434	892	STC88	538	STC945	635	SX110251M	291
STC8138	884	STC826	307	STC8435	892	STC8807	893	STC951	461	SX607101	272
STC814	151	STC8261	877	STC844	322	STC8811	889	STC951	462	SY504072	106
STC8152	881	STC8263	877	STC8440	295	STC8812	889	STC958	57	TD108201	21
STC8153	892	STC8267	472	STC8440	891	STC8813	889	STC961	535	TD108201	23
STC8160	893	STC8267	473	STC8441	881	STC8814	889	STC962	466	TD110041L	22
STC8161	880	STC8267	474	STC8442	881	STC8815	881	STC963	249	TE108031L	14
STC8162	702	STC8269	472	STC845	358	STC885	348	STC964	249	TE108041L	16
STC8163	892	STC8269	473	STC8469	881	STC885	353	STC965	249	TE108041L	45
STC8167	677	STC8269	474	STC8470	873	STC886	347	STC970	313	TE108051L	28
STC817	140	STC828	311	STC8471	873	STC886	352	STC985	127	TE108051L	66
STC818	140	STC829	300	STC8472	873	STC887	321	STC986	127	TE108051L	74
STC819	140	STC829	307	STC8473P	676	STC888	321	STC989	223	TE108061L	35
STC8190	885	STC829	312	STC8475	881	STC889	324	STC990	223	TE108061L	61





PART NO	PAGE	PART NO	PAGE	PART NO	PAGE	PART NO	PAGE	PART NO	PAGE	PART NO	PAGE
TE108161L	21	UKC170L	199	WA104001L	112	WA105001L	572	WA106041L	244	WA106041L	416
TE108181	83	UKC18L	187	WA104001L	471	WA105001L	679	WA106041L	252	WA106041L	418
TE110051L	28	UKC2089L	189	WA104001L	507	WA105001L	711	WA106041L	266	WA106041L	424
TE110051L	61	UKC2105L	189	WA104001L	509	WA105001L	730	WA106041L	27	WA106041L	425
TE110051L	87	UKC25L	176	WA104001L	550	WA105041L	150	WA106041L	270	WA106041L	426
TE110061L	49	UKC25L	201	WA104001L	553	WA106001	414	WA106041L	325	WA106041L	427
TE110061L	87	UKC2738L	179	WA104001L	581	WA106001L	153	WA106041L	327	WA106041L	434
TE110071L	28	UKC30L	178	WA104001L	637	WA106001L	582	WA106041L	343	WA106041L	530
TE110071L	66	UKC30L	199	WA104001L	638	WA106001L	623	WA106041L	347	WA106041L	537
TE110071L	74	UKC3092	190	WA104001L	640	WA106001L	75	WA106041L	348	WA106041L	544
TE110071L	88	UKC3092	210	WA104001L	643	WA106001L	76	WA106041L	350	WA106041L	547
TE110151	63	UKC31L	182	WA104001L	645	WA106041	237	WA106041L	352	WA106041L	557
TE506101L	117	UKC31L	185	WA104001L	656	WA106041	422	WA106041L	353	WA106041L	562
TKC1229L	178	UKC3530L	182	WA104001L	66	WA106041L	100	WA106041L	355	WA106041L	584
TKC1235L	178	UKC3530L	185	WA104001L	691	WA106041L	101	WA106041L	358	WA106041L	590
TKC2786L	175	UKC37L	181	WA104001L	698	WA106041L	111	WA106041L	362	WA106041L	603
TKC290	188	UKC37L	183	WA105001L	151	WA106041L	142	WA106041L	364	WA106041L	610
TKC5779L	178	UKC3793L	399	WA105001L	311	WA106041L	145	WA106041L	367	WA106041L	620
TM112051	360	UKC3795L	399	WA105001L	336	WA106041L	153	WA106041L	369	WA106041L	622
TM112051	361	UKC3803L	41	WA105001L	37	WA106041L	156	WA106041L	371	WA106041L	626
TM112051L	351	UKC3803L	74	WA105001L	399	WA106041L	165	WA106041L	381	WA106041L	628
TM112051L	356	UKC6684	561	WA105001L	415	WA106041L	170	WA106041L	382	WA106041L	630
TM112051L	362	UKC6684L	638	WA105001L	418	WA106041L	191	WA106041L	394	WA106041L	633
TM112051L	364	UKC6684L	641	WA105001L	535	WA106041L	193	WA106041L	396	WA106041L	634
UAM2857L	58	UKC6684L	644	WA105001L	536	WA106041L	211	WA106041L	399	WA106041L	635
UAM2957L	58	UKC8L	181	WA105001L	537	WA106041L	227	WA106041L	403	WA106041L	658
UAM7498L	47	UKC8L	204	WA105001L	548	WA106041L	233	WA106041L	406	WA106041L	680
UKC1060L	180	UTP1519	429	WA105001L	561	WA106041L	235	WA106041L	408	WA106041L	749
UKC1060L	204	UTP1519	430	WA105001L	569	WA106041L	237	WA106041L	409	WA106041L	750
UKC170L	178	WA104001	571	WA105001L	570	WA106041L	24	WA106041L	412	WA106041L	781



# RANGE ROVER 1992 onwards

## 951

# NUMERICAL INDEX

PART NO	PAGE	PART NO	PAGE	PART NO	PAGE	PART NO	PAGE	PART NO	PAGE	PART NO	PAGE
WA106041L	820	WA108051L	162	WA108051L	411	WA110061L	178	WA112081L	300	WC108051L	550
WA106041L	821	WA108051L	165	WA108051L	413	WA110061L	192	WA112081L	322	WC108051L	553
WA106041L	830	WA108051L	169	WA108051L	415	WA110061L	20	WA114001	165	WC110061	307
WA106041L	831	WA108051L	179	WA108051L	417	WA110061L	227	WA114001L	169	WC110061L	303
WA106041L	834	WA108051L	180	WA108051L	419	WA110061L	241	WA116101L	20	WC110061L	306
WA106041L	835	WA108051L	191	WA108051L	42	WA110061L	252	WA116101L	869	WC110061L	309
WA106041L	837	WA108051L	192	WA108051L	45	WA110061L	301	WA120001	305	WC110061L	870
WA106041L	838	WA108051L	229	WA108051L	474	WA110061L	35	WA702101L	592	WC110061L	97
WA106041L	840	WA108051L	231	WA108051L	535	WA110061L	373	WA704061	640	WC112081L	296
WA106041L	842	WA108051L	248	WA108051L	543	WA110061L	374	WA704061	643	WC112081L	301
WA106041L	847	WA108051L	252	WA108051L	580	WA110061L	377	WB106041L	106	WC112081L	308
WA106041L	848	WA108051L	26	WA108051L	581	WA110061L	378	WB106041L	325	WC112081L	322
WA106041L	98	WA108051L	300	WA108051L	623	WA110061L	379	WB108051L	373	WC112081L	325
WA106051L	398	WA108051L	307	WA108051L	815	WA110061L	380	WB110061L	171	WC112081L	582
WA108041L	140	WA108051L	316	WA108051L	99	WA110061L	387	WB112081L	151	WC112081L	585
WA108041L	146	WA108051L	334	WA108055L	36	WA110061L	390	WB112081L	272	WC112081L	593
WA108051L	100	WA108051L	339	WA108251	129	WA110061L	406	WC105001L	719	WC112081L	870
WA108051L	112	WA108051L	340	WA108251L	611	WA110061L	407	WC106041L	359	WC116101	308
WA108051L	114	WA108051L	341	WA108301L	230	WA110061L	46	WC106041L	580	WC701124	711
WA108051L	117	WA108051L	348	WA110001L	143	WA110061L	49	WC106041L	584	WC702101L	330
WA108051L	118	WA108051L	35	WA110001L	166	WA110061L	543	WC106041L	609	WC702101L	362
WA108051L	123	WA108051L	352	WA110041L	376	WA110061L	578	WC106047	395	WC702101L	363
WA108051L	129	WA108051L	373	WA110041L	379	WA110061L	869	WC106047	396	WC702101L	401
WA108051L	144	WA108051L	374	WA110051L	391	WA110061L	87	WC108051	431	WC702101L	460
WA108051L	145	WA108051L	38	WA110061	308	WA112081	237	WC108051	432	WC702101L	462
WA108051L	155	WA108051L	386	WA110061	585	WA112081L	150	WC108051	446	WC702101L	531
WA108051L	157	WA108051L	39	WA110061L	118	WA112081L	165	WC108051	447	WC702101L	537
WA108051L	158	WA108051L	403	WA110061L	129	WA112081L	166	WC108051L	392	WC702101L	541
WA108051L	16	WA108051L	405	WA110061L	130	WA112081L	176	WC108051L	429	WC702101L	569
WA108051L	161	WA108051L	409	WA110061L	133	WA112081L	20	WC108051L	430	WC702101L	570





PART NO	PAGE	PART NO	PAGE	PART NO	PAGE	PART NO	PAGE	PART NO	PAGE	PART NO	PAGE
WC702101L	657	WF108001L	834	WJ108001L	415	WL106001L	362	WL108001L	129	WL108001L	392
WC702101L	662	WF108001L	835	WL100001L	178	WL106001L	364	WL108001L	139	WL108001L	404
WC702101L	849	WF108001L	837	WL104001L	637	WL106001L	365	WL108001L	140	WL108001L	405
WD112081L	275	WF108001L	838	WL105001	400	WL106001L	366	WL108001L	152	WL108001L	411
WE104001L	66	WF108001L	839	WL105001L	399	WL106001L	369	WL108001L	158	WL108001L	415
WE105001L	525	WF108001L	840	WL105001L	535	WL106001L	403	WL108001L	16	WL108001L	474
WE106001L	633	WF108001L	842	WL105001L	543	WL106001L	406	WL108001L	160	WL108001L	50
WE106001L	634	WF108001L	846	WL105001L	679	WL106001L	408	WL108001L	161	WL108001L	535
WE106001L	635	WF108001L	848	WL105001L	686	WL106001L	418	WL108001L	162	WL108001L	543
WE110001L	275	WF600041L	559	WL105001L	861	WL106001L	474	WL108001L	169	WL108001L	550
WE110001L	350	WF600041L	609	WL106001	610	WL106001L	537	WL108001L	171	WL108001L	553
WE110001L	356	WF600041L	622	WL106001	842	WL106001L	547	WL108001L	172	WL108001L	594
WE110001L	360	WF600041L	628	WL106001L	142	WL106001L	557	WL108001L	175	WL108001L	623
WE110001L	361	WF600041L	630	WL106001L	156	WL106001L	620	WL108001L	177	WL108001L	815
WE110001L	362	WF600041L	636	WL106001L	175	WL106001L	622	WL108001L	179	WL108001L	87
WE110001L	363	WF600041L	637	WL106001L	177	WL106001L	623	WL108001L	189	WL108051	553
WE110001L	364	WF600121L	656	WL106001L	179	WL106001L	626	WL108001L	191	WL110001L	133
WE600071L	342	WF702101L	640	WL106001L	189	WL106001L	631	WL108001L	194	WL110001L	137
WE600071L	343	WF702101L	643	WL106001L	193	WL106001L	661	WL108001L	202	WL110001L	143
WE600091	315	WF702101L	646	WL106001L	194	WL106001L	680	WL108001L	234	WL110001L	166
WE600101L	342	WJ105001L	464	WL106001L	202	WL106001L	821	WL108001L	25	WL110001L	169
WE702101L	663	WJ105001L	663	WL106001L	211	WL106001L	832	WL108001L	252	WL110001L	171
WF105001L	543	WJ105001L	686	WL106001L	233	WL106001L	838	WL108001L	26	WL110001L	241
WF105001L	633	WJ106001	558	WL106001L	234	WL106007L	609	WL108001L	272	WL110001L	27
WF106001L	524	WJ106001L	439	WL106001L	235	WL106041	434	WL108001L	275	WL110001L	273
WF108001L	820	WJ106001L	557	WL106001L	237	WL108001	169	WL108001L	328	WL110001L	275
WF108001L	821	WJ108001	417	WL106001L	327	WL108001	374	WL108001L	336	WL110001L	287
WF108001L	830	WJ108001	419	WL106001L	33	WL108001	417	WL108001L	345	WL110001L	288
WF108001L	832	WJ108001	76	WL106001L	332	WL105001	553	WL108001L	35	WL110001L	291
WF108001L	833	WJ108001L	413	WL106001L	359	WL108001L	123	WL108001L	372	WL110001L	365

PART NO	PAGE	PART NO	PAGE	PART NO	PAGE	PART NO	PAGE	PART NO	PAGE	PART NO	PAGE
WL110001L	391	WM600041L	412	WM600051L	343	WM600061L	339	WW106041L	841	YWB10032L	516
WL110001L	48	WM600041L	590	WM600051L	44	WM600061L	366	WW110001L	166	YWB10032L	517
WL110001L	97	WM600041L	595	WM600051L	46	WM600061L	369	YEB10026	529	YWB10032L	518
WL112001L	166	WM600041L	606	WM600051L	578	WM600061L	46	YEB10027	529	YWB10032L	519
WL112001L	176	WM600041L	608	WM600051L	591	WM600061L	579	YLE10099	127	YWB10032L	520
WL112001L	252	WM600041L	609	WM600051L	593	WM600061L	583	YLE10100	127	YWB10032L	521
WL112001L	275	WM600041L	612	WM600051L	611	WM600071L	365	YLE10113	85	YWB10032L	522
WL115001L	684	WM600041L	614	WM600051L	613	WM600071L	368	YOO4633PMP	769	YWB10032L	523
WL600061L	215	WM600041L	622	WM600051L	619	WM600071L	370	YQG10008	530	YWC10151	504
WL700101L	125	WM600041L	661	WM600051L	655	WM600071L	97	YUG10067	508	YWC10226LUM	535
WL700101L	639	WM600041L	681	WM600051L	658	WM600081L	869	YUJ10037L	704	YWC102890LUM	535
WL700101L	642	WM600041L	770	WM600051L	790	WM702001L	330	YWB10027L	512	YWT10002	484
WL700101L	645	WM600041L	771	WM600051L	801	WM702001L	401	YWB10027L	513	YWT10003	484
WM106001L	189	WM600041L	815	WM600051L	806	WM702001L	531	YWB10027L	514	YXX2777LUL	855
WM106001L	214	WM600041L	849	WM600051L	808	WM702001L	541	YWB10027L	515	YXX2777SUA	855
WM108001L	214	WM600041L	850	WM600051L	811	WM702001L	571	YWB10027L	516	YXX5098	472
WM110001	307	WM600041L	871	WM600051L	97	WM702001L	592	YWB10027L	517	YYD10003	496
WM110001L	306	WM600041L	96	WM600061L	104	WM702001L	609	YWB10027L	518	YYG10005	123
WM110001L	309	WM600041L	98	WM600061L	130	WM702001L	662	YWB10027L	519	ZXC1055	541
WM60001L	278	WM600041L	99	WM600061L	132	WM702001L	815	YWB10027L	520	ZXC9168	541
WM60001L	279	WM600051L	814	WM600061L	176	WM702001L	849	YWB10027L	521	ZXC9173	541
WM600041L	106	WM600051L	104	WM600061L	252	WM702001L	871	YWB10027L	522	ZXC9199	541
WM600041L	108	WM600051L	108	WM600061L	277	WP105L	404	YWB10027L	523	ZXC9328	541
WM600041L	111	WM600051L	117	WM600061L	287	WP105L	406	YWB10027L	535	1M600051L	593
WM600041L	266	WM600051L	118	WM600061L	288	WP105L	408	YWB10027L	569	10211	464
WM600041L	270	WM600051L	298	WM600061L	290	WP105L	409	YWB10027L	570	11H1781L	334
WM600041L	297	WM600051L	303	WM600061L	298	WQT10001L	521	YWB10032L	512	11H1781L	340
WM600041L	366	WM600051L	305	WM600061L	304	WS105001	415	YWB10032L	513	11H1781L	341
WM600041L	369	WM600051L	320	WM600061L	326	WS600047L	411	YWB10032L	514	11820L	362
WM600041L	371	WM600051L	342	WM600061L	337	WW106041L	839	YWB10032L	515	11820L	363

PART NO	PAGE	PART NO	PAGE	PART NO	PAGE	PART NO	PAGE	PART NO	PAGE	PART NO	PAGE
13H2023L	187	230511	271	243959	28	255207	412	27H4353L	368	338020	593
13H3735L	338	230511	274	243967	102	255207	590	27H4353L	370	338023	470
13H3735L	340	232038	177	243967	109	255207	595	273069	30	338023	593
13H3735L	341	232039	193	243968	102	255207	609	273069	74	338023	597
13H8329L	294	232039	233	244487	26	255207	661	273166	102	338023	599
13H8331L	294	232039	236	244488	26	255208	681	276201	256	338023	620
13H8332L	294	232039	238	247127	14	255211	612	276483	255	345662	647
13H8337L	294	232039	260	247127	54	255249	320	279146	277	346073	609
13H8702L	611	232039	261	247555	16	255467	272	2851L	315	350343	609
13H9727L	396	232039	282	247555	32	255467	275	2851L	326	351991	610
13H9727L	571	232042	203	247665	26	256006	325	3031L	591	356225	610
154545	105	232042	241	251335	636	256223	655	3036L	110	368011	610
154545	92	232042	79	252210	325	257011	531	3036L	315	368012	610
154545	99	232043	114	252513	92	257015	592	3036L	320	369092	562
18123	591	232043	345	252513	99	257017	541	3036L	579	369092	612
19089	591	232044	25	253948	585	257017	571	307220	590	369746	609
2K8686L	342	232590	541	253952	296	257017	590	312322	590	37H770L	390
213961	19	233243	556	253952	303	257020	330	312856	664	37H7920	390
213961	96	233244	610	255204	371	257020	531	3259	263	37H8119L	390
214649	325	234532	256	255205	266	257023	590	3259	284	3821	557
214662	325	235113	469	255205	270	257023	662	3261L	322	3822	583
214685	325	235770	17	255206	371	257194	610	3289	271	3830L	297
216962	246	236048	19	255206	590	264024	301	3289	274	3830L	305
217245	322	236070	271	255206	612	264024	308	3290	176	3831L	590
217352	279	236070	274	255206	622	264590	466	3290	92	3831L	592
217352	292	236257	25	255206	681	264591	464	3292	178	3831L	594
217353	292	240407	336	255206	815	264591	466	3292	271	3831L	595
2204L	108	240407	406	255207	366	264591	468	3292	274	3831L	603
2215	371	240431	330	255207	369	266945	18	338013	620	3831L	606
230313	33	240431	332	255207	371	266945	57	338017	574	3831L	612

PART NO	PAGE	PART NO	PAGE	PART NO	PAGE	PART NO	PAGE	PART NO	PAGE	PART NO	PAGE
3831L	613	390414	816	390829	435	391439	618	393031	756	4909	654
3831L	622	390415	618	390851	435	391461	592	393096AUK	741	4910L	101
3831L	661	390448	636	390852	435	391462	592	393096LUL	741	500446	562
3831L	680	390448	639	390939	359	391474	615	393096LUM	745	500746	299
3831L	681	390448	642	390998	681	391475	615	393096SUA	741	500746	302
3852L	684	390448	646	391023	654	391476	615	393096SUA	747	500746	306
3900	371	390506	636	391043	618	391482	659	393182LUM	752	500746	309
3900L	526	390507	636	391129	605	391483	659	393182LUM	754	501593	14
3900L	631	390515	436	391130	605	391537LUM	755	393202	609	501593	54
3900L	771	390515	662	391133RUN	815	391591	636	393218	610	502116	50
390045	596	390516	436	391139	613	391591	639	393388	654	502116	87
390045	599	390516	662	391140	613	391591	642	393400	562	502473	30
390045	601	390573RUN	685	391141	590	391591	646	396116	590	502473	69
390046	596	390574RUN	685	391148	636	391592	618	3982L	658	503352	545
390046	599	390585	770	391148	648	392147	612	399518	594	50641	229
390046	601	390585	771	391148	650	392162	685	4030L	590	50641	231
390049	598	390586	770	391149	636	392202	436	4030L	692	5064162	154
390050	598	390607	436	391149	648	392226	636	4034L	815	50642	122
390055	662	390608	436	391149	650	392267LUM	752	4075L	99	508035	864
390084	658	390609	436	391184	609	392267LUM	754	4266L	194	508945	361
390085	658	390610	436	391235	436	392581	849	4266L	234	509045P	255
390123	613	390614	622	391236	436	392678	680	4266L	304	509045P	256
390124	613	390615	622	391237	436	392679	680	4478	117	513123	342
390159	603	390616	622	391277	590	392687	605	4589L	24	513123	343
390159	604	390617	622	391280	618	392865	618	4594L	129	514244	175
3902L	662	390695	435	391287	612	392866	618	4594L	655	515466	249
390372	661	390747	849	391317	613	392876	618	4598	558	515467	249
390384	593	390774	862	391332	685	392920	618	4878	562	515468	249
390385	593	390795RUN	849	391373	659	392954LUM	755	4889	816	515470	249
390413	816	390816	636	391424	594	393001	685	4905	322	517689	102

PART NO	PAGE	PART NO	PAGE	PART NO	PAGE	PART NO	PAGE	PART NO	PAGE	PART NO	PAGE
517689	390	541010	16	552819	308	570779	849	571755	266	575733	593
517706	390	541010	32	559186	471	570829	467	571756	272	575806	337
524765	28	543819	326	561195	260	570829	469	571761	277	575806	339
524765	35	546799	30	561195	261	570829	470	571815	272	575815	339
524765	66	546799	69	561195	282	570829	616	571819	272	575816	339
524765	74	549229	255	561196	260	571134	241	571822	266	575818	338
525497	28	549229	256	561196	261	571146	190	571882	287	575818	339
525497	66	549230	286	561196	282	571160	175	571883	287	575818	340
529364	133	549232	286	562106	336	571161	175	571910	365	575862	593
529364	88	549234	286	562481	334	571161	198	571970	242	575882	310
531586	459	549236	286	564258	106	571163	175	571970	246	576137	175
532943	189	549238	286	564455	25	571163	198	572087	298	576137	198
533765	244	549240	286	564456	25	571468	242	572295	605	576159	262
538038	21	549242	286	566580	605	571468	246	572312	411	576159	283
538039	21	549244	286	566581	605	571536	244	572312	413	576203	175
538131	17	549246	286	56666	485	571665	244	572312	415	576203	198
538131	56	549248	286	56666	486	571682	246	572312	417	576236	286
538132	17	549250	286	56667	150	571718	266	572312	419	576237	286
538132	56	549252	286	567876	338	571718	267	572315	298	576238	286
538134	17	549473	267	567905	471	571718	269	572498	593	576239	286
539706	264	549473	270	568431	50	571743	272	572548	345	576608	272
539706	285	549473	292	568431	87	571744	272	572548	346	576723	175
539707	263	549911	93	568680	282	571745	272	572548	357	576723	198
539707	284	552632	351	568680	313	571746	272	573246	37	577176	365
539718	283	552632	356	568680	336	571752	277	573289	698	577177	365
539720	283	552818	299	568680	37	571752	278	575571	578	577254	595
539722	283	552818	302	568680	386	571752	279	575615	303	577254	862
539724	283	552818	306	568680	400	571752	287	575616	303	577255	595
539745	263	552818	309	568680	401	571752	288	575707	297	577255	862
539745	284	552819	301	568858	326	571752	290	575733	315	577259	595

PART NO	PAGE	PART NO	PAGE	PART NO	PAGE	PART NO	PAGE	PART NO	PAGE	PART NO	PAGE
577259	862	591065	370	594637	194	602146	92	603340	133	607129	464
577389	315	591628	368	594637	234	602147	92	603378	105	608000	324
577473	295	591628	370	594946	322	602148	105	603428	108	608246	260
577475	362	591629	368	594947	322	602152	92	603446	122	608246	261
577475	364	591629	370	595098	605	602153	105	603535	93	608246	262
577703	310	591988	175	595099	595	602154	105	603535	94	608246	282
577775	595	592023	580	595099	862	602186	105	603554	103	608246	283
577776	595	592199	339	595199	326	602191	104	603622	336	610289	107
577777	595	592444	310	595478	260	602192	104	603659	19	610489	98
577786	595	592840	748	595478	261	602193	104	603659	96	610735	133
577787	595	593692	264	595478	282	602199	96	603672	125	610736	133
577898	325	593692	285	597586	14	602200	104	603673	125	611089	92
579408	871	593693	264	599945	264	602201	108	603734	105	611323	132
579409	871	593693	285	599945	285	602201	99	603890	329	611612	101
586438	471	594087	177	600265	322	602212	92	603890	331	611612	118
587405	147	594087	202	602040	103	602227	107	605011	390	611612	94
587477	125	594087	214	602061	95	602236	109	605410	126	611659	105
589130	659	594091	175	602067	102	602289	103	606178	463	611660	105
589238	319	594091	197	602070	96	602388	99	606178	888	612898	92
589254	229	594091	198	602071	102	602512	106	606567	324	612989	93
589254	231	594091	365	602076	109	602545	98	606666	272	613671	94
589274	541	594091	367	602082	95	602587	94	606666	275	613857	122
589281	541	594091	369	602087	96	602609	95	606683	365	614037	102
589286	541	594134	177	602097	105	602910	102	606696	367	614154	118
589783	459	594134	202	602098	104	602912	102	606696	369	614188	107
589783	460	594134	214	602099	109	602913	102	606733	175	614202	102
589783	461	594594	260	602123	103	602915	92	606733	197	614443	110
589783	462	594594	261	602130	92	602953	122	606733	198	614718	100
589818	659	594594	282	602141	92	603127	106	607107	557	614718	118
591065	368	594594	357	602142	105	603224	114	607107	558	614718	46



PART NO	PAGE	PART NO	PAGE	PART NO	PAGE	PART NO	PAGE
614739	101	79027	71	79239	592	90577611	346
624091	28	79039	429	79240	557	90577642	342
624091	67	79039	466	79240	558	90577704	310
624208	371	79039	661	8566L	17	90602025	93
624209	371	79042	606	8566L	56	90602064	102
625038	106	79051	459	88108757	244	90602202	99
6395L	132	79051	461	90214684	325	90602372	93
6395L	21	79086	770	90508545	541		
6395L	60	79086	771	90513454	263		
6860L	336	79120	330	90513454	284		
7K608045	781	79121	260	90519055	14		
723290	636	79121	261	90519055	54		
72628	320	79121	282	90568054	108		
7316	265	79122	386	90571104	179		
7316	286	79122	401	90575323	541		
78177	401	79122	610	90575585	252		
78248	547	79123	282	90575596	326		
78257	590	79124	349	90575597	326		
78257	609	79124	355	90575751	304		
78257	661	79124	363	90575789	305		
78616	622	79124	658	90575807	337		
78756	871	79125	349	90575807	339		
78788	435	79125	355	90575877	310		
78898	849	79125	363	90575878	303		
78947	662	79127	359	90575878	310		
79004	362	79127	361	90576928	272		
79004	363	79131	558	90577143	580		
79019	613	79154	636	90577489	362		
79026	32	79231	541	90577509	869		
79027	106	79239	330	90577509	870		

**© Copyright Land Rover UK Limited 1994  
and Brooklands Books Limited 2002**

This book is published by Brooklands Books Limited and based upon text and illustrations protected by copyright and first published in 1997 by Land Rover UK Limited and may not be reproduced transmitted or copied by any means without the prior written permission of Land Rover UK Limited and Brooklands Books Limited.

Distributed by Brooklands Books Ltd., PO Box 146, Cobham,  
Surrey, KT11 1LG, England Phone: 01932 865051 Fax: 01932 868803  
E-mail: sales@brooklands-books.com

ISBN 1 85520 6137

Part No. RTC9961CB

10/10Z2

Printed in England

Ref: B-RR95PH